

---

## Electrical Circuit Diagrams

**ProStar® and LoneStar® - Models Built June 14, 2010 and After**  
**Engine Family: Navistar® N13, MaxxForce® 15L, ISX**

**Navistar, Inc.**

2701 Navistar Drive, Lisle, IL 60532 USA



## TABLE OF CONTENTS

<b>2. INSTRUCTIONS AND CHARTS (CHAPTER 2)</b> .....	<b>1</b>
2.1. ABBREVIATIONS, P. 1.....	1
2.2. ACRONYMS, P. 2.....	2
2.3. CIRCUIT DIAGRAM INSTRUCTIONS, P. 3.....	3
2.4. CIRCUIT NUMBER IDENTIFICATION AND COLOR, P. 4.....	4
2.5. CIRCUIT NUMBER IDENTIFICATION AND COLOR (CONT.), P. 5.....	5
2.6. CIRCUIT NUMBER IDENTIFICATION AND COLOR (CONT.), P. 6.....	6
2.7. LAMP BULB CHART, P. 7.....	7
2.8. RELAY FUNCTION AND WIRING GUIDE, P. 8.....	8
2.9. SCHEMATIC SYMBOL CHART, P. 9.....	9
2.10. SCHEMATIC SYMBOL CHART (CONT.), P. 10.....	10
2.11. SCHEMATIC SYMBOL CHART (CONT.), P. 11.....	11
2.12. SCHEMATIC SYMBOL CHART (CONT.), P. 12.....	12
<b>3. 12 VOLT POWER DISTRIBUTION (CHAPTER 3)</b> .....	<b>13</b>
3.1. BATTERY FEED, P. 1.....	13
3.2. BATTERY FEED (CONT.), P. 2.....	14
3.3. BATTERY FEED (CONT.), P. 2A.....	15
3.4. BATTERY FEED (CONT.), P. 3.....	16
3.5. BATTERY FEED (CONT.), P. 3A.....	17
3.6. BATTERY FEED (CONT.), P. 4.....	18
3.7. BATTERY FEED (CONT.), P. 4A.....	19
3.8. IGNITION FEED – STANDARD REMOTE START / STOP, AUTO START / STOP, P. 5.....	20
3.9. IGNITION FEED – STANDARD REMOTE START / STOP, AUTO START / STOP, P. 5A.....	21
3.10. IGNITION FEED – STANDARD, P. 6.....	22
3.11. IGNITION FEED – STANDARD (CONT.), P. 6A.....	23
3.12. IGNITION FEED – STANDARD (CONT.), P. 7.....	24
3.13. IGNITION FEED – STANDARD (CONT.), P. 7A.....	25
3.14. IGNITION FEED – STANDARD (CONT.), P. 8.....	26
3.15. IGNITION FEED – STANDARD (CONT.), P. 8A.....	27
3.16. IGNITION FEED – STANDARD (CONT.), P. 8B.....	28
3.17. ACCESSORY FEED, P. 9.....	29
3.18. ACCESSORY FEED (CONT.), P. 9A.....	30
3.19. CAB J1939 – COMPASS AND ANTILOCK BRAKING SYSTEM EFFECTS, P. 10.....	31
3.20. CAB J1939 WITH ALL OPTIONS, P. 11.....	32
3.21. CAB J1939 WITH ALL OPTIONS (CONT.), P. 12.....	33
3.22. CAB J1939 WITH ALL OPTIONS (CONT.), P. 13.....	34
3.23. CAB J1939 WITH ALL OPTIONS (CONT.), P. 13A.....	35
3.24. CAB J1939 ENGINE WITH ALL OPTIONS (CONT.), P. 13B.....	36
3.25. CAB J1939 ENGINE, P. 14.....	37
3.26. CAB J1939 ENGINE – ISX, P. 14A.....	38
3.27. J1939 CHASSIS, P. 15.....	39
3.28. J1939 CHASSIS (CONT.), P. 15A.....	40
3.29. J1939 CHASSIS (CONT.), P. 15B.....	41
3.30. J1939 CHASSIS (CONT.), P. 15C.....	42
3.31. J1939 CHASSIS (CONT.), P. 15D.....	43
3.32. J1939 WITH SLEEPER, P. 16.....	44
3.33. J1939 WITH SLEEPER (CONT.), P. 16A.....	45
3.34. J1708 PRIVATE, P. 17.....	46
3.35. J1708 PUBLIC, P. 18.....	47
3.36. J1708 PUBLIC (CONT.), P. 19.....	48

**TABLE OF CONTENTS (CONT.)**

3.37. J1708 PUBLIC (CONT.), P. 20.....	49
3.38. GROUND – CAB, P. 21.....	50
3.39. GROUND – CAB (CONT.), P. 22.....	51
3.40. GROUND – CAB (CONT.), P. 23.....	52
3.41. GROUND – CAB (CONT.), P. 24.....	53
3.42. GROUND – CAB (CONT.), P. 25.....	54
3.43. GROUND – CAB (CONT.), P. 26.....	55
3.44. GROUND – CHASSIS, P. 27.....	56
3.45. GROUND – SLEEPER, P. 28.....	57
3.46. GROUND – SLEEPER (CONT.), P. 29.....	58
3.47. GROUND – SLEEPER (CONT.), P. 30.....	59
3.48. GROUND ADAPTER – IBB ENGINE, P. 31.....	60
3.49. GROUND ADAPTER – IBB ENGINE (CONT.), P. 32.....	61
3.50. GROUND ADAPTER, P. 33.....	62
3.51. BATTERY FEED, SINGLE, P. 34.....	63
3.52. BATTERY FEED, SINGLE (CONT.), P. 34A.....	64
3.53. BATTERY FEED, SINGLE (CONT.), P. 35.....	65
3.54. BATTERY FEED, SINGLE (CONT.), P. 35A.....	66
3.55. GROUND ADAPTER - ISX ENGINE, P. 36.....	67
3.56. GROUND ADAPTER - ISX ENGINE (CONT.), P. 37.....	68
3.57. ENGINE GROUND FOR 2010 SCR 13L ENGINE, P. 38.....	69
3.58. ALTERNATOR POWER AND GROUND (2010 SCR 13L ENGINE), P. 39.....	70
3.59. J1939 TERMINATOR (2010 SCR 13L ENGINE), P. 40.....	71
3.60. CAB J1939 DATA LINK (2010 SCR 13L ENG), P. 41.....	72
3.61. GROUND – IP WITH RUSSIAN PROSTAR, P. 42.....	73
3.62. CAB J1939, P. 43.....	74
<b>4. CAB ACCESSORIES (CHAPTER 4).....</b>	<b>75</b>
4.1. CB POWER RADIO, P. 1.....	75
4.2. CIGAR LIGHTER, TEMPERATURE DISPLAY AND AUX POWER, P. 2.....	76
4.3. ELECTRIC WINDOWS AND DOOR LOCKS, P. 3.....	77
4.4. ELECTRIC HORN, P. 4.....	78
4.5. AIR HORN, P. 4A.....	79
4.6. MIRRORS HEATED AND LIGHTED, P. 5.....	80
4.7. MIRRORS HEATED AND LIGHTED (CONT.), P. 6.....	81
4.8. HEATED MIRROR HOOD MOUNTED – ISX ENGINE, P. 6A.....	82
4.9. INTENTIONALLY LEFT BLANK, P. 7.....	83
4.10. SATELLITE COMMUNICATION SYSTEM – QUALCOMM TERRESTRIAL MOBILE COMMUNICATIONS TERMINAL DAYCAB, P. 8.....	84
4.11. SATELLITE COMMUNICATION SYSTEM – QUALCOMM TERRESTRIAL MOBILE COMMUNICATIONS TERMINAL DAYCAB (CONT.), P. 9.....	85
4.12. SATELLITE COMMUNICATION SYSTEM – QUALCOMM TERRESTRIAL MOBILE COMMUNICATIONS TERMINAL SLEEPER, P. 10.....	86
4.13. SATELLITE COMMUNICATION SYSTEM – QUALCOMM TERRESTRIAL MOBILE COMMUNICATIONS TERMINAL SLEEPER (CONT.), P. 11.....	87
4.14. SATELLITE COMMUNICATION SYSTEM – QUALCOMM INTEGRATED MOBILE COMMUNICATIONS TERMINAL, P. 12.....	88
4.15. SATELLITE COMMUNICATION SYSTEM – QUALCOMM INTEGRATED MOBILE COMMUNICATIONS TERMINAL (CONT.), P. 13.....	89
4.16. SATELLITE COMMUNICATION SYSTEM – QUALCOMM INTEGRATED MOBILE COMMUNICATIONS TERMINAL (CONT.), P. 13A.....	90

**TABLE OF CONTENTS (CONT.)**

4.17. QUALCOMM INTEGRATED MOBILE COMMUNICATIONS TERMINAL – SLEEPER, P. 14...	91
4.18. COMMUNICATIONS SYSTEM, WIRING, P. 14A.....	92
4.19. COMMUNICATIONS SYSTEM, WIRING (CONT.) , P. 14B.....	93
4.20. COMMUNICATIONS SYSTEM, WIRING (CONT.), P. 14C.....	94
4.21. PANIC BUTTON, P. 15.....	95
4.22. SATELLITE COMMUNICATION SYSTEM – XATA WITH DAYCAB, P. 16.....	96
4.23. SATELLITE COMMUNICATION SYSTEM – XATA WITH SLEEPER, P. 17.....	97
4.24. RADIO ENTERTAINMENT, SPEAKERS, P. 18.....	98
4.25. RADIO ENTERTAINMENT, SPEAKERS (CONT.), P. 19.....	99
4.26. RADIO ENTERTAINMENT, SPEAKERS (CONT.), P. 19A.....	100
4.27. RADIO ENTERTAINMENT, SPEAKERS (CONT.), P. 19B.....	101
4.28. SWITCH PACK, P. 20.....	102
4.29. WINDSHIELD WIPER MOTOR, P. 21.....	103
4.30. WINDSHIELD WIPER MOTOR (CONT.), P. 21A.....	104
4.31. WINDSHIELD WASHER PUMP, P. 22.....	105
4.32. WINDSHIELD WASHER PUMP (CONT.), P. 22A.....	106
4.33. DRIVER DISPLAY – VEHICLE INFORMATION, P. 23.....	107
4.34. BEACON LIGHT SWITCH – FOR DUAL CUSTOMER ACCESSORY, P. 24.....	108
4.35. BEACON LIGHT SWITCH – FOR DUAL CUSTOMER ACCESSORY (CONT.), P. 24A.....	109
4.36. DOOR SWITCHES – DOME LAMP, P. 25.....	110
4.37. SPARE SWITCH – FOR SINGLE CUSTOMER ACCESSORY, P. 26.....	111
4.38. SPARE SWITCH – FOR SINGLE CUSTOMER ACCESSORY (CONT.), P. 26A.....	112
4.39. SPARE SWITCH – FOR DUAL CUSTOMER ACCESSORY, P. 27.....	113
4.40. SPARE SWITCH – FOR DUAL CUSTOMER ACCESSORY (CONT.), P. 27A.....	114
4.41. EATON VORAD VS-400, P. 28.....	115
4.42. EATON VORAD EVT 300, P. 28A.....	116
4.43. BENDIX WINGMAN, P. 28B.....	117
4.44. WABCO ONGUARD WARNING SYSTEM, P. 28C.....	118
4.45. WABCO ONGUARD WARNING SYSTEM (CONT.), P. 28D.....	119
4.46. BENDIX WINGMAN (CONT.), P. 28E.....	120
4.47. QUALCOMM OMNIVISION, P. 29.....	121
4.48. QUALCOMM OMNIVISION (CONT.), P. 30.....	122
4.49. SATELLITE COMMUNICATION SYSTEM – PEOPLENET SLEEPER (0008RHA), P. 30A.....	123
4.50. SATELLITE COMMUNICATION – PEOPLENET DAYCAB (0008RHA), P. 30B.....	124
4.51. GATEWAY MODULE SLEEPER / DAYCAB (0008RHA), P. 30C.....	125
4.52. SATELLITE COMMUNICATION – PEOPLENET SLEEPER WITH VIDEO ADAPTER (0008RLK / RLG), P. 30D.....	126
4.53. SATELLITE COMMUNICATION – PEOPLENET DAY CAB WITH VIDEO ADAPTER (0008RLK / RLG), P. 30E.....	127
4.54. SLEEPER / DAYCAB VIDEO INPUT MODULE WIRING, P. 30F.....	128
4.55. MOTIENT MOBILE MAX, P. 31.....	129
4.56. REMOTE RADIO, P. 32.....	130
4.57. REMOTE RADIO (CONT.), P. 33.....	131
4.58. SART CLOCK MODULE, P. 34.....	132
4.59. LANE DEPARTURE SYSTEM – TAKATA, P. 35.....	133
4.60. CLOCK SPRING, P. 36.....	134
4.61. TRANSLATOR MODULE, P. 37.....	135
4.62. POWER DISPLAY, P. 38.....	136
4.63. POWER DISPLAY (CONT.), P. 39.....	137
4.64. PREWIRE MOBILEYE, P. 40.....	138
4.65. INTENTIONALLY LEFT BLANK, P. 41.....	139

## TABLE OF CONTENTS (CONT.)

4.66.	INTENTIONALLY LEFT BLANK, P. 42.....	140
4.67.	DRIVER DISPLAY – VEHICLE INFORMATION, P. 43.....	141
4.68.	INTENTIONALLY LEFT BLANK, P. 44.....	142
4.69.	ROOF / TACHOGRAPH WITH RUSSIAN PROSTAR, P. 45.....	143
4.70.	4-WIRE CLOCK SPRING MODULE, P. 46.....	144
4.71.	SDP CONN (BENDIX FUSION), P. 47.....	145
4.72.	DRIVER SEAT POWER (BENDIX FUSION), P. 48.....	146
4.73.	NEXT GEN CRUISE CONTROL, P. 49.....	147
<b>5.</b>	<b>CHARGING AND CRANKING SYSTEM (CHAPTER 5).....</b>	<b>148</b>
5.1.	CHARGING AND CRANKING – MANUAL TRANSMISSION, P. 1.....	148
5.2.	CHARGING AND CRANKING – AUTOMATIC TRANSMISSION, P. 2.....	149
<b>6.</b>	<b>FAN WIRING (CHAPTER 6).....</b>	<b>150</b>
6.1.	FAN WIRING – IBB ENGINE AND 2010 SCR 13L ENGINE, P. 1.....	150
6.2.	FAN AND ETHER START WITH ISX (2013), P. 1A.....	151
6.3.	STARTING AID – COLD START ASSIST (IBB AND 2010 SCR 13L ENGINE), P. 2.....	152
6.4.	FAN WIRING IBB & 2010 SCR 13L ENGINE, P. 2A.....	153
6.5.	FAN AND ETHER START WITH 2013 INTL IBB ENGINE, P. 3.....	154
<b>7.</b>	<b>ENGINES (CHAPTER 7).....</b>	<b>155</b>
7.1.	ELECTRONIC ENGINE CONTROLS (2010 IBB ENGINE), P. 1.....	155
7.2.	ELECTRONIC ENGINE CONTROLS (2010 IBB ENGINE) (CONT.), P. 2.....	156
7.3.	ELECTRONIC ENGINE CONTROLS (2010 IBB ENGINE) (CONT.), P. 3.....	157
7.4.	ELECTRONIC ENGINE CONTROLS (2010 IBB ENGINE) (CONT.), P. 4.....	158
7.5.	ELECTRONIC ENGINE CONTROLS (2010 IBB ENGINE) (CONT.), P. 5.....	159
7.6.	ELECTRONIC ENGINE CONTROLS (2010 IBB ENGINE) (CONT.), P. 6.....	160
7.7.	ELECTRONIC ENGINE CONTROLS – MAXXFORCE 15 LITRE, P. 6A.....	161
7.8.	ELECTRONIC ENGINE CONTROLS – MAXXFORCE 15 LITRE (CONT.), P. 6B.....	162
7.9.	ELECTRONIC ENGINE CONTROLS – MAXXFORCE 15 LITRE (CONT.), P. 6C.....	163
7.10.	ELECTRONIC ENGINE CONTROLS – MAXXFORCE 15 LITRE (CONT.), P. 6D.....	164
7.11.	ELECTRONIC ENGINE CONTROLS – MAXXFORCE 15 LITRE (CONT.), P. 6E.....	165
7.12.	REMOTE START / STOP, P. 7.....	166
7.13.	REMOTE START / STOP (CONT.), P. 7A.....	167
7.14.	REMOTE START / STOP (CONT.), P. 8.....	168
7.15.	REMOTE START / STOP (CONT.), P. 8A.....	169
7.16.	NO IDLE HEAT, P. 9.....	170
7.17.	TRI-PAC NO IDLE, P. 10.....	171
7.18.	IDLE CONTROL TEMP SENSOR, P. 11.....	172
7.19.	AUTO START / STOP, P. 12.....	173
7.20.	AUTO START / STOP (CONT.), P. 12A.....	174
7.21.	AUTO START / STOP (CONT.), P. 13.....	175
7.22.	AUTO START / STOP (CONT.), P. 14.....	176
7.23.	AUTO START / STOP (CONT.), P. 15.....	177
7.24.	ELECTRONICS ENGINE CONTROL (ISX 2013), P. 16.....	178
7.25.	ELECTRONICS ENGINE CONTROL (ISX 2013) (CONT.), P. 17.....	179
7.26.	ISX 2013 DEF & AFTERTREATMENT, P. 18.....	180
7.27.	ISX 2013 DEF & AFTERTREATMENT (CONT.), P. 19.....	181
7.28.	ISX 2013 DEF & AFTERTREATMENT (CONT.), P. 20.....	182
7.29.	ISX 2013 DEF & AFTERTREATMENT (CONT.), P. 21.....	183
7.30.	ISX 2013 DEF & AFTERTREATMENT (CONT.), P. 22.....	184

**TABLE OF CONTENTS (CONT.)**

7.31.	ISX 2013 DEF & AFTERTREATMENT (CONT.), P. 23.....	185
7.32.	ACCELERATOR PEDAL MODULE (ISX 2013), P. 24.....	186
7.33.	ELECTRONIC ENGINE CONTROLS (2010 SCR 13L ENGINE), P. 25.....	187
7.34.	ELECTRONIC ENGINE CONTROLS (2010 SCR 13L ENGINE) (CONT.), P. 26.....	188
7.35.	ELECTRONIC ENGINE CONTROLS (2010 SCR 13L ENGINE) (CONT.), P. 27.....	189
7.36.	ELECTRONIC ENGINE CONTROLS (2010 SCR 13L ENGINE) (CONT.), P. 28.....	190
7.37.	ELECTRONIC ENGINE CONTROLS (2010 SCR 13L ENGINE) (CONT.), P. 29.....	191
7.38.	ELECTRONIC ENGINE CONTROLS (2010 SCR 13L ENGINE) (CONT.), P. 30.....	192
7.39.	DEF AND AFTERTREATMENT (2010 SCR 13L ENG), P. 31.....	193
7.40.	DEF AND AFTERTREATMENT (2010 SCR 13L ENG) (CONT.), P. 32.....	194
7.41.	DEF AND AFTERTREATMENT (2010 SCR 13L ENG) (CONT.), P. 33.....	195
7.42.	DEF AND AFTERTREATMENT (2010 SCR 13L ENG) (CONT.), P. 34.....	196
7.43.	DEF AND AFTERTREATMENT (2010 SCR 13L ENG) (CONT.), P. 34A.....	197
7.44.	CAB J1939 DATA LINK (2010 SCR 13L ENG), P. 35.....	198
7.45.	INTENTIONALLY LEFT BLANK P. 36.....	199
7.46.	INTENTIONALLY LEFT BLANK, P. 37.....	200
7.47.	INTENTIONALLY LEFT BLANK, P. 38.....	201
7.48.	INTENTIONALLY LEFT BLANK, P. 39.....	202
7.49.	INTENTIONALLY LEFT BLANK, P. 40.....	203
7.50.	ELECTRONIC ENGINE CONTROLS (ISX 2013), P. 41.....	204
7.51.	ELECTRONIC ENGINE CONTROLS (ISX 2013) (CONT.), P. 42.....	205
7.52.	ACCELERATOR PEDAL MODULE (ISX 2013), P. 49.....	206
7.53.	DEF AND AFTERTREATMENT (ISX 2013), P. 50.....	207
7.54.	DEF AND AFTERTREATMENT (ISX 2013) (CONT.), P. 51.....	208
<b>8.</b>	<b>GAUGES AND WARNING LIGHTS (CHAPTER 8).....</b>	<b>209</b>
8.1.	AIR PRESSURE INPUT CIRCUIT AND AIR RESTRICTION GAUGE, P. 1.....	209
8.2.	AXLE TEMPERATURE GAUGES, P. 2.....	210
8.3.	ENGINE OIL PRESSURE AND TEMPERATURE, SPEEDOMETER, TACHOMETER, VOLTMETER AND WATER TEMPERATURE GAUGES, P. 3.....	211
8.4.	ENGINE OIL AND TRANSMISSION OIL TEMPERATURE GAUGE, P. 4.....	212
8.5.	FUEL HEATER, P. 5.....	213
8.6.	FUEL HEATER (CONT.), P. 5A.....	214
8.7.	DIFFERENTIAL LOCK AND OPTIONAL INDICATOR, P. 6.....	215
8.8.	DIFFERENTIAL LOCK AND OPTIONAL INDICATOR (CONT.), P. 7.....	216
8.9.	DIFFERENTIAL LOCK AND OPTIONAL INDICATOR (CONT.), P. 8.....	217
8.10.	IP / GAUGES, P. 9.....	218
8.11.	IP / GAUGES AND WARNING LIGHTS – GAUGE CLUSTER, P. 10.....	219
8.12.	SECONDARY INSTRUMENT CLUSTER, P. 11.....	220
8.13.	PARKING WARNING LIGHT, P. 12.....	221
8.14.	WARNING LIGHTS, P. 13.....	222
8.15.	IP TEXT MESSAGES AND WARNING LIGHTS – CONTROLLED BY ENGINE, TRANSMISSION AND ANTILOCK BRAKING SYSTEM CONTROLLER, P. 14.....	223
<b>9.</b>	<b>LIGHTING SYSTEM (CHAPTER 9).....</b>	<b>224</b>
9.1.	LIGHTS – STOP, TAIL, TURN AND BACK-UP NOT WITH FREEDOMLINE, P. 1.....	224
9.2.	LIGHTS – STOP, TAIL, TURN AND BACK-UP WITH FREEDOMLINE, P. 2.....	225
9.3.	LIGHTS – STOP, TAIL, TURN AND BACK-UP (6 X 4), P. 2A.....	226
9.4.	LIGHTS – STOP, TAIL, TURN AND BACK-UP (4 X 2), P. 2B.....	227
9.5.	STOP, TAIL, TURN AND BACK-UP WITH FREEDOMLINE LIGHTS, P. 2C.....	228
9.6.	DOME / MAP AND COURTESY LIGHTS – DAY CAB, P. 3.....	229

**TABLE OF CONTENTS (CONT.)**

9.7.	DOME / MAP (BENDIX FUSION), P. 3A.....	230
9.8.	DOME / MAP AND COURTESY LIGHTS – SLEEPER, P. 4.....	231
9.9.	FOG LIGHTS AND SPOT LIGHT, P. 5.....	232
9.10.	HEADLIGHTS, P. 6.....	233
9.11.	HEADLIGHTS (CONT.), P. 6A.....	234
9.12.	TRIPMASTER, P. 7.....	235
9.13.	TRIPMASTER (CONT.), P. 7A.....	236
9.14.	TURN AND STOP SWITCH, P. 8.....	237
9.15.	LIGHT SYSTEM – PARK, MARKER, CLEARANCE, ID, TURN, STOP, TAIL, P. 9.....	238
9.16.	ECE TAIL LIGHTS, P. 9A.....	239
9.17.	BODY BUILDER AND ECE TAIL LIGHT CONNECTION, P. 9B.....	240
9.18.	LIGHT SYSTEM – PARK, MARKER, FRONT – TURN AND MODESTY PANEL LIGHT, P. 10.....	241
9.19.	LIGHT SYSTEM – PARK, MARKER, FRONT – TURN AND MODESTY PANEL LIGHT, P. 10A.....	242
9.20.	LIGHT SYSTEM – CLEARANCE, ID, P. 11.....	243
9.21.	LIGHT SYSTEM – SKIRT LIGHT, P. 12.....	244
9.22.	LIGHT SYSTEM – SKIRT LIGHT (CONT.), P. 12A.....	245
9.23.	TRAILER LIGHT SYSTEM – MARKER, STOP, TAIL, TURN, P. 13.....	246
9.24.	TRAILER LIGHT SYSTEM – MARKER, STOP, TAIL, TURN (CONT.), P. 13A.....	247
9.25.	TRAILER SOCKET – BACK OF CAB, P. 14.....	248
9.26.	TRAILER SOCKET – BACK OF CAB AND END OF FRAME, P. 15.....	249
9.27.	TRAILER SOCKET WITH RUSSIAN PROSTAR, P. 15A.....	250
9.28.	TRAILER SOCKET WITH RUSSIAN PROSTAR (CONT.), P. 15B.....	251
9.29.	TRAILER SOCKET – AUXILIARY, P. 16.....	252
9.30.	TRAILER SOCKET – AUXILIARY WITH RUSSIAN PROSTAR, P. 16A.....	253
9.31.	TRAILER SOCKET – AUXILIARY, P. 16B.....	254
9.32.	FLOOR LIGHT, P. 17.....	255
9.33.	CRESCENT LIGHT LONESTAR, P. 17A.....	256
9.34.	CRESCENT LIGHT LONESTAR (CONT.), P. 17B.....	257
9.35.	FLOOR LIGHT, P. 17C.....	258
9.36.	DOME AND ACCENT LIGHT – SLEEPER, P. 18.....	259
9.37.	DOME AND ACCENT LIGHT – SLEEPER LONESTAR, P. 18A.....	260
9.38.	DOME AND ACCENT LIGHT – SLEEPER (CONT.), P. 19.....	261
9.39.	LIGHTED AIR SHIELD, P. 20.....	262
9.40.	PANEL LIGHTS, P. 21.....	263
9.41.	WORK LIGHTS – DAY CAB, P. 22.....	264
9.42.	WORK LIGHTS – DAY CAB (CONT.), P. 22A.....	265
9.43.	WORK LIGHTS – SLEEPER CAB, P. 23.....	266
9.44.	WORK LIGHTS – SLEEPER CAB (CONT.), P. 23A.....	267
9.45.	DOME AND ACCENT LIGHT – SLEEPER, P. 24.....	268
9.46.	BEACON LIGHT LONESTAR, P. 25.....	269
9.47.	DFM WITH RUSSIAN PROSTAR, P. 26.....	270
9.48.	DFM WITH RUSSIAN PROSTAR (CONT.), P. 27.....	271
9.49.	DFM WITH RUSSIAN PROSTAR (CONT.), P. 28.....	272
9.50.	LOW BEAM FEEDBACK WITH RUSSIAN PROSTAR, P. 29.....	273
9.51.	MARKER LIGHT WITH DFM WITH RUSSIAN PROSTAR, P. 30.....	274
9.52.	HEADLIGHTS, P. 31.....	275
9.53.	FOG LIGHT LONESTAR SE, P. 32.....	276
9.54.	LIGHTS – STOP, TAIL, TURN AND BACK-UP (6 X 4), P. 33.....	277
9.55.	LIGHTS – STOP, TAIL, TURN AND BACK-UP (6 X 4) (CONT.), P. 34.....	278



**TABLE OF CONTENTS (CONT.)**

9.56. LIGHTS – STOP, TAIL, TURN AND BACK-UP (4 X 2), P. 35.....	279
9.57. TURN SIGNAL WITH SCR WITH BENDIX LANE DEPART, P. 36.....	280
9.58. MARKER AND MODESTY LIGHTS, P. 37.....	281
9.59. BEACON LIGHT PROSTAR, P. 38.....	282
9.60. MAP / READING LIGHT (BENDIX FUSION), P. 39.....	283
9.61. BENDIX DEPART (SMART CRUISE WITH BENDIX FUSION) , P. 40.....	284
<b>10. CHASSIS ACCESSORIES (CHAPTER 10).....</b>	<b>285</b>
10.1. TIRE PRESSURE MONITOR / ANTENNA, P. 1.....	285
10.2. AIR DRYER, P. 2.....	286
10.3. AIR SOLENOID PACK – 4 WAY, P. 3.....	287
10.4. AIR SOLENOID PACK – 4 WAY (CONT.), P. 4.....	288
10.5. AIR SUSPENSION WITH LOAD INDICATOR, P. 5.....	289
10.6. BATTERY FEED – TRAILER AUXILIARY, P. 6.....	290
10.7. BATTERY FEED – TRAILER AUXILIARY (CONT.), P. 6A.....	291
10.8. ANTILOCK BRAKE SYSTEM WITH BENDIX, P. 7.....	292
10.9. ANTILOCK BRAKE SYSTEM WITH BENDIX (CONT.), P. 8.....	293
10.10. ANTILOCK BRAKE SYSTEM WITH BENDIX (CONT.), P. 9.....	294
10.11. ANTILOCK BRAKE SYSTEM WITH BENDIX (CONT.), P. 10.....	295
10.12. ANTILOCK BRAKE SYSTEM WITH BENDIX (CONT.), P. 10A.....	296
10.13. ANTILOCK BRAKE SYSTEM WITH BENDIX (CONT.), P. 11.....	297
10.14. ANTILOCK BRAKE SYSTEM WITH BENDIX (CONT.), P. 12.....	298
10.15. ANTILOCK BRAKE SYSTEM WITH BENDIX (CONT.), P. 12A.....	299
10.16. ANTILOCK BRAKE SYSTEM WITH WABCO, P. 12B.....	300
10.17. ANTILOCK BRAKE SYSTEM WITH WABCO (CONT.) , P. 13.....	301
10.18. ANTILOCK BRAKE SYSTEM WITH WABCO (CONT.), P. 13A.....	302
10.19. ANTILOCK BRAKE SYSTEM WITH WABCO (CONT.), P. 13B.....	303
10.20. ANTILOCK BRAKE SYSTEM WITH WABCO (CONT.), P. 14.....	304
10.21. ANTILOCK BRAKE SYSTEM WITH WABCO (CONT.), P. 15.....	305
10.22. ANTILOCK BRAKE SYSTEM WITH WABCO (CONT.), P. 15A.....	306
10.23. ANTILOCK BRAKE SYSTEM WITH WABCO (CONT.), P. 16.....	307
10.24. ANTILOCK BRAKE SYSTEM WITH WABCO (CONT.), P. 16A.....	308
10.25. ANTILOCK BRAKE SYSTEM WITH WABCO (CONT.), P. 16B.....	309
10.26. POWER TAKE OFF, P. 17.....	310
10.27. VEHICLE SENSOR MODULE, P. 18.....	311
10.28. VEHICLE SENSOR MODULE (CONT.), P. 19.....	312
10.29. BRAKE SENSOR – WEAR / STROKE, P. 20.....	313
10.30. BRAKE SENSOR – WEAR / STROKE (CONT.), P. 21.....	314
10.31. BODY BUILDER, P. 22.....	315
10.32. LIFT GATE POWER FEED, P. 22A.....	316
10.33. CUMMINS ICON, P. 23.....	317
10.34. POWER TAKE-OFF CONNECTION, P. 24.....	318
10.35. CUSTOMER SUPPLIED LIGHTS, P. 25.....	319
10.36. SMARTIRE TPMS RECEIVER, P. 26.....	320
10.37. FUEL SENDER WITH ISX ENGINE, P. 27.....	321
10.38. 5TH WHEEL JAW MONITOR, P. 28.....	322
10.39. THE PRESSURE MONITORING, P. 29.....	323
10.40. AUXILIARY TRAILER SOCKET, P. 30.....	324
10.41. AUXILIARY TRAILER SOCKET (CONT.), P. 31.....	325

**TABLE OF CONTENTS (CONT.)**

<b>11. TRANSMISSION CONTROL MODULE (CHAPTER 11)</b> .....	<b>326</b>
11.1. EATON AUTOSHIFT AND ULTRASHIFT TRANSMISSION, P. 1.....	326
11.2. EURO IV EATON ULTRASHIFT TRANSMISSION, P. 1A.....	327
11.3. ULTRASHIFT AND EATON AUTOSHIFT TRANSMISSION, P. 1B.....	328
11.4. EATON ULTRASHIFT WITH EURO IV, P. 1C.....	329
11.5. EATON AUTOSHIFT AND ULTRASHIFT TRANSMISSION, P. 2.....	330
11.6. COLUMN SHIFTER, P. 3.....	331
11.7. COLUMN SHIFTER (CONT.), P. 3A.....	332
11.8. ULTRASHIFT TRANSMISSION ECA POWER FOR ISX 2013 AND ISX EURO IV, P. 4.....	333
11.9. ALLISON TRANSMISSION (2010 SCR 13L ENG), P. 5.....	334
11.10. ALLISON TRANSMISSION (2010 SCR 13L ENG) (CONT.), P. 6.....	335
11.11. ALLISON TRANSMISSION (2010 SCR 13L ENG) (CONT.), P. 7.....	336
11.12. ALLISON TRANSMISSION (2010 SCR 13L ENG) (CONT.), P. 8.....	337
11.13. ALLISON TRANSMISSION (2010 SCR 13L ENG) (CONT.), P. 9.....	338
11.14. ALLISON TRANSMISSION (2010 SCR 13L ENG) (CONT.), P. 10.....	339
11.15. ALLISON TRANSMISSION (2010 SCR 13L ENG) (CONT.), P. 11.....	340
11.16. ALLISON TC10 TRANSMISSION, P. 12.....	341
11.17. ALLISON TC10 TRANSMISSION (CONT.), P. 13.....	342
11.18. ALLISON TC10 TRANSMISSION (CONT.), P. 13A.....	343
<b>12. HVAC (CHAPTER 12)</b> .....	<b>344</b>
12.1. AIR CONDITIONING, P. 1.....	344
12.2. HVAC SYSTEM – CAB, P. 2.....	345
12.3. HVAC SYSTEM – CAB (CONT.), P. 3.....	346
12.4. HVAC SYSTEM – SLEEPER, P. 4.....	347
12.5. HVAC SYSTEM – SLEEPER (CONT.), P. 5.....	348
12.6. NO IDLE HEAT AND HVAC – SWITCHES, P. 6.....	349
12.7. NO IDLE HEAT AND HVAC – APU, P. 7.....	350
12.8. NO IDLE HEAT AND HVAC – SENSORS AND HVAC CONTROL, P. 8.....	351
12.9. HVAC TEMPERATURE SENDER, P. 8A.....	352
12.10. NO IDLE HEAT AND HVAC – POWER SUPPLY, P. 9.....	353
12.11. NO IDLE HEAT AND HVAC – HEAT VALVE, LPM AND BLEND MOTOR, P. 10.....	354
12.12. NO IDLE HEAT AND HVAC – FUEL FIRED HEATER AND A/C COMPRESSOR, P. 11.....	355
12.13. NO IDLE HEATER, ESPAR IN CAB FUEL FIRED HEATER, P. 12.....	356
12.14. NO IDLE HEATER, ESPAR IN CAB FUEL FIRED HEATER WIRED FOR KEY OFF MODE, P. 12A.....	357
12.15. NO IDLE HEATER, WEBASTO IN CAB FUEL FIRED HEATER, P. 13.....	358
12.16. NO IDLE HEATER, WEBASTO IN CAB FUEL FIRED HEATER WITH LVD, P. 14.....	359
12.17. HVAC SYSTEM – SLEEPER WITH BERGSTROM NO IDLE WITH PROSTAR, P. 15.....	360
12.18. HVAC SYSTEM – SLEEPER WITH BERGSTROM NO IDLE, P. 15A.....	361
12.19. HVAC SYSTEM – SLEEPER WITH BERGSTROM NO IDLE SWITCHES – LOCATED IN SLEEPER CONTROL PANEL, P. 16.....	362
12.20. HVAC SYSTEM – SLEEPER WITH BERGSTROM NO IDLE SWITCHES – LOCATED IN SLEEPER CONTROL PANEL (CONT.), P. 17.....	363
12.21. HVAC SYSTEM – SLEEPER WITH BERGSTROM NO IDLE POWER SUPPLY 12V, P. 18....	364
12.22. HVAC SYSTEM – SLEEPER WITH BERGSTROM NO IDLE POWER SUPPLY 12V (CONT.), P. 18A.....	365
12.23. HVAC SYSTEM – SLEEPER WITH BERGSTROM NO IDLE FUEL FIRED HEATER, P. 19...	366
12.24. IDLE MANAGEMENT WITH NO IDLE 12V DC NOT WITH AUTO SEVERE SERVICE LONESTAR, P. 20.....	367

**TABLE OF CONTENTS (CONT.)**

12.25. IDLE MANAGEMENT WITH NO IDLE 12V DC NOT WITH AUTO SEVERE SERVICE LONESTAR (CONT.), P. 21.....	368
12.26. IDLE MANAGEMENT WITH NO IDLE 110V AND SLEEPER BOX NO IDLE ISOLATED BATTERY AND GROUND, P. 22.....	369
12.27. SLEEPER BOX WITH NO IDLE 12V DC WITH AUTO SEVERE SERVICE LONESTAR, P. 23.....	370
12.28. HVAC-CONDENSATION MODULE FOR ESPAR AND WEBASTO NO IDLE HEAT, P. 24.....	371
12.29. SLEEPER WIRING WITH NO IDLE DASH SWITCH, P. 25.....	372
<b>13. BUNK LIGHTS AND ACCESSORIES (CHAPTER 13).....</b>	<b>373</b>
13.1. READING AND WARDROBE LIGHTS – BUNK, P. 1.....	373
13.2. LUGGAGE COMPARTMENT LIGHTS – BUNK, P. 2.....	374
13.3. POWER SOURCE – BUNK, P. 3.....	375
13.4. TELEVISION / REFRIGERATOR WIRING, P. 4.....	376
13.5. SPEAKER – BUNK, P. 5.....	377
13.6. FAN – BUNK, P. 6.....	378
13.7. SKY RISE LIGHT, P. 7.....	379
13.8. FLAT PANEL TV / DVD PLAYER – BUNK, P. 8.....	380
<b>14. CONNECTOR COMPOSITES (CHAPTER 14).....</b>	<b>381</b>
14.1. CONNECTOR BODY COMPOSITE (1), P. 1.....	381
14.2. CONNECTOR BODY COMPOSITE (7A), (8A), (9A), (10A), P. 1A.....	382
14.3. CONNECTOR BODY COMPOSITE (10F), (11A), (12A), (13A), (14A), P. 2.....	383
14.4. CONNECTOR BODY COMPOSITE (15B), (16B), P. 2A.....	384
14.5. CONNECTOR BODY COMPOSITE (100A), (100B), (113F1), (113M1), (166M), (344), P. 3.....	385
14.6. CONNECTOR BODY COMPOSITE (345), (346F), (347F), (348F), (349F), (512), P. 3A.....	386
14.7. CONNECTOR BODY COMPOSITE (608), (670), P. 4.....	387
14.8. CONNECTOR BODY COMPOSITE (670A), (670B), (670C), P. 4A.....	388
14.9. CONNECTOR BODY COMPOSITE (671), (672), (673), P. 4B.....	389
14.10. CONNECTOR BODY COMPOSITE (674), P. 4C.....	390
14.11. CONNECTOR BODY COMPOSITE (674), (674A), (674D), P. 4D.....	391
14.12. CONNECTOR BODY COMPOSITE (674E), (674F), (674G), P. 4E.....	392
14.13. CONNECTOR BODY COMPOSITE (675), (676), (677), (678), P. 4F.....	393
14.14. CONNECTOR BODY COMPOSITE (679), P. 4G.....	394
14.15. CONNECTOR BODY COMPOSITE (679), P. 4H.....	395
14.16. CONNECTOR BODY COMPOSITE (679), (680), P. 4I.....	396
14.17. CONNECTOR BODY COMPOSITE (680), (681), (682), P. 4J.....	397
14.18. CONNECTOR BODY COMPOSITE (686), P. 4K.....	398
14.19. CONNECTOR BODY COMPOSITE (690), (691), (830M), P. 4L.....	399
14.20. CONNECTOR BODY COMPOSITE (1007), (1010), (1011), (1012), (1013), (1014), (1015), (1016), (1017), (1018), (1019), (1020), P. 5.....	400
14.21. CONNECTOR BODY COMPOSITE (1010), P. 6.....	401
14.22. CONNECTOR BODY COMPOSITE (1010), P. 6A.....	402
14.23. CONNECTOR BODY COMPOSITE (1011), P. 7.....	403
14.24. CONNECTOR BODY COMPOSITE (1011), P. 7A.....	404
14.25. CONNECTOR BODY COMPOSITE (1011), P. 7B.....	405
14.26. CONNECTOR BODY COMPOSITE (1012), P. 8.....	406
14.27. CONNECTOR BODY COMPOSITE (1012), P. 8A.....	407
14.28. CONNECTOR BODY COMPOSITE (1013), P. 9.....	408
14.29. CONNECTOR BODY COMPOSITE (1013), P. 9A.....	409
14.30. CONNECTOR BODY COMPOSITE (1014), P. 10.....	410

**TABLE OF CONTENTS (CONT.)**

14.31. CONNECTOR BODY COMPOSITE (1014), P. 10A.....	411
14.32. CONNECTOR BODY COMPOSITE (1014), P. 10B.....	412
14.33. CONNECTOR BODY COMPOSITE (1015), P. 11.....	413
14.34. CONNECTOR BODY COMPOSITE (1015), P. 11A.....	414
14.35. CONNECTOR BODY COMPOSITE (1016), P. 12.....	415
14.36. CONNECTOR BODY COMPOSITE (1016), P. 12A.....	416
14.37. CONNECTOR BODY COMPOSITE (1017), P. 13.....	417
14.38. CONNECTOR BODY COMPOSITE (1017), P. 13A.....	418
14.39. CONNECTOR BODY COMPOSITE (1017), P. 13B.....	419
14.40. CONNECTOR BODY COMPOSITE (1018), P. 14.....	420
14.41. CONNECTOR BODY COMPOSITE (1018), P. 14A.....	421
14.42. CONNECTOR BODY COMPOSITE (1019), P. 15.....	422
14.43. CONNECTOR BODY COMPOSITE (1019), P. 15A.....	423
14.44. CONNECTOR BODY COMPOSITE (1019), P. 15B.....	424
14.45. CONNECTOR BODY COMPOSITE (1020), P. 16.....	425
14.46. CONNECTOR BODY COMPOSITE (1020), P. 16A.....	426
14.47. CONNECTOR BODY COMPOSITE (1021), (1022), P. 16B.....	427
14.48. CONNECTOR BODY COMPOSITE (1023), (1024), P. 17.....	428
14.49. CONNECTOR BODY COMPOSITE (1025), (1026), (1027), P. 18.....	429
14.50. CONNECTOR BODY COMPOSITE (1028), (1035), P. 18A.....	430
14.51. CONNECTOR BODY COMPOSITE (1100M), (1101M), (1110M), P. 18B.....	431
14.52. CONNECTOR BODY COMPOSITE (1111M), (1112), (1112M), (1113), (1113M), P. 19.....	432
14.53. CONNECTOR BODY COMPOSITE (1114M), (1115M), (1116M), (1117M), P. 20.....	433
14.54. CONNECTOR BODY COMPOSITE (1118M), (1119F), (1119M), (1120M), P. 21.....	434
14.55. CONNECTOR BODY COMPOSITE (1121M), (1122M), (1123M), (1124M), P. 21A.....	435
14.56. CONNECTOR BODY COMPOSITE (1125M), (1126M), (1200), (1210), P. 21B.....	436
14.57. CONNECTOR BODY COMPOSITE (1215), (1220), (1230), P. 21C.....	437
14.58. CONNECTOR BODY COMPOSITE (1300), (1301), P. 22.....	438
14.59. CONNECTOR BODY COMPOSITE (1378), P. 22A.....	439
14.60. CONNECTOR BODY COMPOSITE (1400), (1401), (1402), P. 23.....	440
14.61. CONNECTOR BODY COMPOSITE (1403), (1410), (1420), P. 24.....	441
14.62. CONNECTOR BODY COMPOSITE (1421), (1422), (1500), (1501), P. 25.....	442
14.63. CONNECTOR BODY COMPOSITE (1423), (1500), (1501), P. 25A.....	443
14.64. CONNECTOR BODY COMPOSITE (1501), (1502), P. 26.....	444
14.65. CONNECTOR BODY COMPOSITE (1503), (1510), P. 26A.....	445
14.66. CONNECTOR BODY COMPOSITE (1511), (1512), (1550), (1559), P. 27.....	446
14.67. CONNECTOR BODY COMPOSITE (1600), P. 28.....	447
14.68. CONNECTOR BODY COMPOSITE (1601), P. 29.....	448
14.69. CONNECTOR BODY COMPOSITE (1602), P. 30.....	449
14.70. CONNECTOR BODY COMPOSITE (1603), (1604), P. 31.....	450
14.71. CONNECTOR BODY COMPOSITE (1620), (1650), P. 32.....	451
14.72. CONNECTOR BODY COMPOSITE (1660), (1661), (1657M), (1657MA), P. 33.....	452
14.73. CONNECTOR BODY COMPOSITE (1700), P. 34.....	453
14.74. CONNECTOR BODY COMPOSITE (1700), P. 34A.....	454
14.75. CONNECTOR BODY COMPOSITE (1700F), P. 35.....	455
14.76. CONNECTOR BODY COMPOSITE (1700F), P. 35A.....	456
14.77. CONNECTOR BODY COMPOSITE (1701), P. 36.....	457
14.78. CONNECTOR BODY COMPOSITE (1701), P. 36A.....	458
14.79. CONNECTOR BODY COMPOSITE (1701F), P. 37.....	459
14.80. CONNECTOR BODY COMPOSITE (1702), P. 38.....	460
14.81. CONNECTOR BODY COMPOSITE (1702), P. 39.....	461

## TABLE OF CONTENTS (CONT.)

14.82. CONNECTOR BODY COMPOSITE (1702), P. 39A.....	462
14.83. CONNECTOR BODY COMPOSITE (1800), P. 40.....	463
14.84. CONNECTOR BODY COMPOSITE (1800F), P. 41.....	464
14.85. CONNECTOR BODY COMPOSITE (1801), (1802), P. 42.....	465
14.86. CONNECTOR BODY COMPOSITE (1803), (1804), P. 43.....	466
14.87. CONNECTOR BODY COMPOSITE (1805), (1806), (1807), P. 44.....	467
14.88. CONNECTOR BODY COMPOSITE (1808), (1809), (1810), P. 45.....	468
14.89. CONNECTOR BODY COMPOSITE (1811), (1812), (1814), (1815), (1820F), (1820M), P. 46...	469
14.90. CONNECTOR BODY COMPOSITE (1820), P. 46A.....	470
14.91. CONNECTOR BODY COMPOSITE (1821), (1821A), (1822), (1823), (1860), (1861), P. 47....	471
14.92. CONNECTOR BODY COMPOSITE (1824), (1852), (1873), (1873B), (1874), P. 47A.....	472
14.93. CONNECTOR BODY COMPOSITE (1873), (1874), (1874A), (1874B), P. 48.....	473
14.94. CONNECTOR BODY COMPOSITE (1874B), (1874C), (1901), (1903), P. 48A.....	474
14.95. CONNECTOR BODY COMPOSITE (1906), (1907), (1909M), (1910), (1911), (1912), (1916), P. 49.....	475
14.96. CONNECTOR BODY COMPOSITE (1917), (1918), (1918A), (1918B), (1919), (1919A), (1919B), (1920), P. 50.....	476
14.97. CONNECTOR BODY COMPOSITE (1921), (1922), (1922M), (1923), P. 50A.....	477
14.98. CONNECTOR BODY COMPOSITE (1924), (1924M), (1925F), (1930), P. 51.....	478
14.99. CONNECTOR BODY COMPOSITE (1932), (1933), (1934M), (1935M), (1935N), (1936M), (1937M), (1937N), P. 52.....	479
14.100. CONNECTOR BODY COMPOSITE (1937P), (1938M), (1939), (1939M), (1939N), (1942F), P. 52A.....	480
14.101. CONNECTOR BODY COMPOSITE (1943M), (1946F), (1948), (1949), (1950), P. 53.....	481
14.102. CONNECTOR BODY COMPOSITE (1951), (1953), (1960), P. 53A.....	482
14.103. CONNECTOR BODY COMPOSITE (1961), (1962), P. 54.....	483
14.104. CONNECTOR BODY COMPOSITE (1965), P. 54A.....	484
14.105. INTENTIONALLY LEFT BLANK, P. 55.....	485
14.106. CONNECTOR BODY COMPOSITE (1970), (1978), (1979), (1979A), P. 56.....	486
14.107. CONNECTOR BODY COMPOSITE (1992), (2000), P. 57.....	487
14.108. CONNECTOR BODY COMPOSITE (2002M), (2003M), (2004M), (2005M), (2006M), (2007F), P. 58.....	488
14.109. CONNECTOR BODY COMPOSITE (2010), (2100), (2101), (2102M), (2103M), P. 59.....	489
14.110. CONNECTOR BODY COMPOSITE (2200), (2201), (2223), (2224), (2225), (2227), (2227B) P. 60.....	490
14.111. CONNECTOR BODY COMPOSITE (2300), (2302), (2303F), (2303M), (2304), (2312), P. 61.....	491
14.112. CONNECTOR BODY COMPOSITE (2313), (2500), (2505), P. 62.....	492
14.113. CONNECTOR BODY COMPOSITE (3000), (3003M), (3100), (3100M), P. 63.....	493
14.114. CONNECTOR BODY COMPOSITE (3200), (3200F), (3201), (3201M), (3202M), (3203), P. 64.....	494
14.115. CONNECTOR BODY COMPOSITE (3204), (3204M), (3205M), (3205F), (3206M), (3300), (3400), (3410), P. 65.....	495
14.116. CONNECTOR BODY COMPOSITE (4004), (4101), (4111), (4204), P. 66.....	496
14.117. CONNECTOR BODY COMPOSITE (4113), (4114), (4115), (4450BF), P. 66A.....	497
14.118. CONNECTOR BODY COMPOSITE (4204), (4328), P. 66B.....	498
14.119. CONNECTOR BODY COMPOSITE (4450AM), (4450BM), (4450M), (4460BF), P. 67.....	499
14.120. CONNECTOR BODY COMPOSITE (4460M), (4460AM), (4460BM), (4470BM), P. 67A.....	500
14.121. CONNECTOR BODY COMPOSITE (4480BM), (4500), (4705), P. 67B.....	501
14.122. CONNECTOR BODY COMPOSITE (5000 / 5000A), P. 68.....	502
14.123. CONNECTOR BODY COMPOSITE (5000), P. 69.....	503

TABLE OF CONTENTS (CONT.)

14.124.CONNECTOR BODY COMPOSITE (5001), P. 70.....	504
14.125.CONNECTOR BODY COMPOSITE (5001), P. 71.....	505
14.126.CONNECTOR BODY COMPOSITE (5002), (5003), (5005), (5006), (5007), P. 72.....	506
14.127.CONNECTOR BODY COMPOSITE (5009), (5010), (5011), (5011M), (5011F), P. 73.....	507
14.128.CONNECTOR BODY COMPOSITE (5012), (5013), (5014), (5015), (5020), (5031), P. 74.....	508
14.129.CONNECTOR BODY COMPOSITE (5034), (5035), (5035A), (5036), (5037), (5038), P. 74A.....	509
14.130.CONNECTOR BODY COMPOSITE (5100), (5101), (5102), (5103), P. 75.....	510
14.131.CONNECTOR BODY COMPOSITE (5103), (5104), (5105), (5106), (5107), (5109), (5110), (5111), P. 76.....	511
14.132.CONNECTOR BODY COMPOSITE (5112), (5113), (5114), (5115), P. 76A.....	512
14.133.CONNECTOR BODY COMPOSITE (5117), (5118), (5119), P. 77.....	513
14.134.CONNECTOR BODY COMPOSITE (5123), (5124), (5125), (5126), P. 78.....	514
14.135.CONNECTOR BODY COMPOSITE (5126), (5127), (5128), (5129), (5130), P. 79.....	515
14.136.CONNECTOR BODY COMPOSITE (5130), (5131), (5134), P. 79A.....	516
14.137.CONNECTOR BODY COMPOSITE (5134), (5134F), (5135), P. 80.....	517
14.138.CONNECTOR BODY COMPOSITE (5135F), (5136), (5200), (5202), (5205), P. 81.....	518
14.139.CONNECTOR BODY COMPOSITE (5210), (5212), (5213), P. 81A.....	519
14.140.CONNECTOR BODY COMPOSITE (5214), (5215), (5216), (5217), (5218), (5219), P. 82.....	520
14.141.CONNECTOR BODY COMPOSITE (5220), (5222), (5230), P. 83.....	521
14.142.CONNECTOR BODY COMPOSITE (5232), (5233), (5234), P. 84.....	522
14.143.CONNECTOR BODY COMPOSITE (5235), (5236), (5237), (5238), P. 84A.....	523
14.144.CONNECTOR BODY COMPOSITE (5300), (5303), (5312), (5313), P. 85.....	524
14.145.CONNECTOR BODY COMPOSITE (5314), (5500), (5501), (5502), (5510), P. 86.....	525
14.146.CONNECTOR BODY COMPOSITE (5530), (5600), (5601M), (5602M), (5602F), (5603M), P. 86A.....	526
14.147.CONNECTOR BODY COMPOSITE (5700), (5701), (5702), (5754), P. 87.....	527
14.148.CONNECTOR BODY COMPOSITE (5757), (5758), (5758F), (5759F), (5760), (5761), (5803), P. 88.....	528
14.149.CONNECTOR BODY COMPOSITE (5803), (5822), (5899), (5899A), (5899B), (5900), (5901), P. 88A.....	529
14.150.CONNECTOR BODY COMPOSITE (5902), (5903), P. 88B.....	530
14.151.CONNECTOR BODY COMPOSITE (5904), (5904M), (5905), (5905F), P. 89.....	531
14.152.CONNECTOR BODY COMPOSITE (5906), (5907), P. 90.....	532
14.153.CONNECTOR BODY COMPOSITE (5909), (5925), (5926), (5927), (5930M), (5940), P. 91...	533
14.154.CONNECTOR BODY COMPOSITE (6000), P. 91A.....	534
14.155.CONNECTOR BODY COMPOSITE (6018), P. 92.....	535
14.156.CONNECTOR BODY COMPOSITE (6018), P. 92A.....	536
14.157.CONNECTOR BODY COMPOSITE (6019), P. 93.....	537
14.158.CONNECTOR BODY COMPOSITE (6019), P. 93A.....	538
14.159.CONNECTOR BODY COMPOSITE (6033), P. 94.....	539
14.160.CONNECTOR BODY COMPOSITE (6200), (6201), (6201A), (6201P), P. 94A.....	540
14.161.CONNECTOR BODY COMPOSITE (6260A), (6260F), (6260FP), (6260H), (6300), P. 94B...	541
14.162.CONNECTOR BODY COMPOSITE (6260VH), (6260VL), (6260VM), (6260VN), (6316M), (6400), P. 95.....	542
14.163.CONNECTOR BODY COMPOSITE (6400A), (6401), (6408), (6420), (6566), P. 95A.....	543
14.164.CONNECTOR BODY COMPOSITE (6567), (6568), (6569), P. 95B.....	544
14.165.CONNECTOR BODY COMPOSITE (6702), (6703), (6703A), (6704), P. 96.....	545
14.166.CONNECTOR BODY COMPOSITE (6703A), (6706), P. 96A.....	546
14.167.CONNECTOR BODY COMPOSITE (6712), (6715), (6720), (6748), (6730), (7104F), P. 97...	547
14.168.CONNECTOR BODY COMPOSITE (7150), P. 97A.....	548

**TABLE OF CONTENTS (CONT.)**

14.169.CONNECTOR BODY COMPOSITE (7105), (7104B), (7104F), (7110), (7110A), P. 98..... 549

14.170.CONNECTOR BODY COMPOSITE (7150), P. 98A..... 550

14.171.CONNECTOR BODY COMPOSITE (7205), (7206), (7211), (7212), (7213), P. 98B..... 551

14.172.CONNECTOR BODY COMPOSITE (7220), (7250), (7350), P. 98C..... 552

14.173.CONNECTOR BODY COMPOSITE (7500W), (7501), (7502), (7600), (7600A), (7603),  
P. 98D..... 553

14.174.CONNECTOR BODY COMPOSITE (7605), (7615), P. 98E..... 554

14.175.CONNECTOR BODY COMPOSITE (7110B), (7700K), (7802), (7905), P. 99..... 555

14.176.CONNECTOR BODY COMPOSITE (8000), (8001), P. 99A..... 556

14.177.CONNECTOR BODY COMPOSITE (8002), (8003), (8006T), (8006R), (8050), (8051), P.  
99B..... 557

14.178.CONNECTOR BODY COMPOSITE (8052), (8053), (8054), (8070), (8071), (8100),  
(8100A), P. 99C..... 558

14.179.CONNECTOR BODY COMPOSITE (8104), (8106), (8107), (8108), (8109), (8110),  
(8111), (8165), P. 100..... 559

14.180.CONNECTOR BODY COMPOSITE (8203A), (8303A), (8303B), P. 101..... 560

14.181.CONNECTOR BODY COMPOSITE (8201), (8203), (8303), (8310), (8311), (8312),  
(8350), P. 102..... 561

14.182.INTENTIONALLY LEFT BLANK, P. 103..... 562

14.183.CONNECTOR BODY COMPOSITE (8351), (8352), (8410), (8450), (8450B), P. 104..... 563

14.184.CONNECTOR BODY COMPOSITE (8450B), (8451), (8453), (8454), (8455), (8456),  
(8456A), (8500), P. 105..... 564

14.185.CONNECTOR BODY COMPOSITE (8500), (8501), (8502), (8503), (8504), (8504B),  
(8504C), (8504D), P. 106..... 565

14.186.CONNECTOR BODY COMPOSITE (8505), (8505B), (8506), (8507), (8507A), (8507B),  
P. 107..... 566

14.187.CONNECTOR BODY COMPOSITE (8500), (8501), (8502), (8503), (8504), (8504B),  
(8504C), (8504D), P. 108..... 567

14.188.CONNECTOR BODY COMPOSITE (8800), (8802), (8803), (8804), (8805), (8806),  
(8900), P. 109..... 568

14.189.CONNECTOR BODY COMPOSITE (8901), (8902), (8903), (8904), P. 110..... 569

14.190.CONNECTOR BODY COMPOSITE (8950), (8951), (8952), P. 111..... 570

14.191.CONNECTOR BODY COMPOSITE (8953F), (8953M), (8954), (8954M), (8956), P. 112..... 571

14.192.CONNECTOR BODY COMPOSITE (8961), (8962), (8963), (8964), (8965), (8966),  
(8967), P. 113..... 572

14.193.CONNECTOR BODY COMPOSITE (8970), (8971), (8972), (8973), P. 114..... 573

14.194.CONNECTOR BODY COMPOSITE (8974), (8975), (8976), (8977), (8980), (8980A),  
(8981), P. 115..... 574

14.195.CONNECTOR BODY COMPOSITE (8982), (8983), (8984), (8993F), (8993G), P. 116..... 575

14.196.CONNECTOR BODY COMPOSITE (9103A), (9253), (9260), (9303), (9303A), (9303B),  
(9303C), (9303D), P. 117..... 576

14.197.CONNECTOR BODY COMPOSITE (9303E), (9303F), (9303G), (9303K), (9303L),  
(9303M), P. 118..... 577

14.198.CONNECTOR BODY COMPOSITE (9304A), (9305), (9305A), (9306), P. 119..... 578

14.199.CONNECTOR BODY COMPOSITE (9501), (9501D), (9501E), (9502), (9502A),  
(9502B), (9502C), (9502D), (9502E), (9502F), P. 120..... 579

14.200.CONNECTOR BODY COMPOSITE (9503), (9503D), (9503E), (9504), (9504A),  
(9504B), (9504C), (9504D), P. 121..... 580

14.201.CONNECTOR BODY COMPOSITE (9505), (9505A), (9505D), (9506), (9506D),  
(9506E), P. 122..... 581

## TABLE OF CONTENTS (CONT.)

14.202.CONNECTOR BODY COMPOSITE (9506), (9506D), (9506E), (9506F), (9507), (9507A), (9507C), P. 123.....	582
14.203.CONNECTOR BODY COMPOSITE (9507A), (9507B), (9507C), (9507K), (9508), P. 124.....	583
14.204.CONNECTOR BODY COMPOSITE (9508), (9508D), (9508E), (9508F), (9509), (9509A), (9509C), P. 125.....	584
14.205.CONNECTOR BODY COMPOSITE (9509B), (9509P), (9510), (9510A), P. 126.....	585
14.206.CONNECTOR BODY COMPOSITE (9510M), (9511), (9511A), (9512), (9512A), (9513), P. 127.....	586
14.207.CONNECTOR BODY COMPOSITE (9514), (9515), (9515C), (9515A), (9515B), (9515D), (9516), P. 128.....	587
14.208.CONNECTOR BODY COMPOSITE (9781F), (9782M), (9783M), (9783F), (9784M), P. 129...	588
14.209.CONNECTOR BODY COMPOSITE (9519), (9520), (9521), (9522), (9523), (9524), (9525), (9526), P. 130.....	589
14.210.CONNECTOR BODY COMPOSITE (9527), (9528), (9529), (9532), (9534), (9535), (9536), (9537), P. 131.....	590
14.211.CONNECTOR BODY COMPOSITE (9538), (9601D), (9602B), (9603D), (9604A), (9611), (9612), (9613), P. 132.....	591
14.212.CONNECTOR BODY COMPOSITE (9614), (9635), (9715F), (9715M), (9716M), (9716F), P. 133.....	592
14.213.CONNECTOR BODY COMPOSITE (9718), (9736), (9737), (9737A), (9768), (9769M), P. 134.....	593
14.214.CONNECTOR BODY COMPOSITE (9770M), (9770F), (9773), (9773A), (9773B), (9779F), (9779F1), P. 135.....	594
14.215.CONNECTOR BODY COMPOSITE (9780), (9780M) (9780M1), (9781F), (9782M), (9783M), (9783F), P. 136.....	595
14.216.CONNECTOR BODY COMPOSITE (9784M), (9789F), (9789FA), (9790M), (9790MA), P. 137.....	596
14.217.CONNECTOR BODY COMPOSITE (9800F), (9800M), P. 138.....	597
14.218.CONNECTOR BODY COMPOSITE (9801M), (9801F), P. 139.....	598
14.219.CONNECTOR BODY COMPOSITE (9811), (9812), (9813), P. 140.....	599
14.220.CONNECTOR BODY COMPOSITE (9814), (9815), (9816), P. 141.....	600
14.221.CONNECTOR BODY COMPOSITE (9830), (9832), (9865F), (9865M), P. 142.....	601
14.222.CONNECTOR BODY COMPOSITE (9900), (9901), (9902), P. 143.....	602
14.223.CONNECTOR BODY COMPOSITE (9902), (9911), (9912), P. 144.....	603



## INSTRUCTIONS AND CHARTS (CHAPTER 2)

### 2.1. ABBREVIATIONS, P. 1

NAVISTAR, INC				ELECTRICAL CIRCUIT DIAGRAM CHAPTER 2	
THIS PRINT IS PROVIDED ON A RESTRICTED BASIS AND IS NOT TO BE USED IN ANY WAY DETRIMENTAL TO THE INTEREST OF NAVISTAR, INC.				ABBREVIATIONS	
ABBREVIATION	DESCRIPTION	ABBREVIATION	DESCRIPTION	ABBREVIATION	DESCRIPTION
ACCESS	ACCESSORY	CUR	CURRENT	PRESS	PRESSURE
AC	AIR CONDITIONING	DPNL	DASHBOARD	RAD	RADIO
AIR CLNR	AIR CLEANER	DFTR	DEFLECTOR	RR	REAR
ALT	ALTERNATOR	DFR	DEFROSTER	RLY	RELAY
AC	ALTERNATING CURRENT	DEG	DEGREE	RES	RESISTOR
AFTR	AFTERTREATMENT	DIAG	DIAGRAM	R	RIGHT
AMM	AMMETER	DSL	DIESEL	RTR	ROTOR
AMP	AMPERE	DIFF	DIFFERENTIAL	SNSR	SENSOR
AMP HR	AMPERE HOUR	DIMR	DIMMER	SHLD	SHIELD
AMPL	AMPLIFIER	ELEC	ELECTRICAL	SHFT	SHIFTER
ARM	ARMATURE	ELEX	ELECTRONICS	SLPR	SLEEPER
ARSR	ARRESTER	ENG	ENGINE	SLV	SLEEVE
ASSY	ASSEMBLY	EXH	EXHAUST	SPKR	SPEAKER
AUX	AUXILIARY	FL	FLUID	SPR	SPRING
B/U	BACK-UP	FWD	FORWARD	STD	STANDARD
BTRY	BATTERY	FR	FRONT	STRG	STEERING
BM	BENCHMARKING	FREQ	FREQUENCY	STLITE	SATELLITE
BLK	BLOCK	GA	GAUGE	SUNSH	SUNSHADE
BOOS	BOOSTER	GEN	GENERATOR	SW	SWITCH
BOT	BOTTOM	GND	GROUND	SYS	SYSTEM
BK	BRAKE	HARN	HARNES	TACH	TACHOMETER
BRKR	BREAKER	HDLP	HEADLAMP	TEMP	TEMPERATURE
BRTHR	BREATHER	HTD	HEATED	TERM	TERMINAL
BRJ	BRIGHT	HT TR	HEAT TREAT	THROT	THROTTLE
BUZ	BUZZER	HTR	HEATER	THRU	THROUGH
CA	CABLE	HP	HORSEPOWER	TRLR	TRAILER
CD	CANDELA	HYD	HYDRAULIC	XDCR	TRANSDUCER
CP	CANDLEPOWER	ID	IDENTIFICATION	XFER	TRANSFER
CAP	CAPACITOR	IGN	IGNITION	XFMR	TRANSFORMER
CAT	CATERPILLAR	ILLUM	ILLUMINATION	XSTR	TRANSISTOR
CHAS	CHASSIS	IND	INDICATOR	XMSN	TRANSMISSION
CH	CHOKE	INST	INSTRUMENT	XMTR	TRANSMITTER
CIRC	CIRCUIT	INT	INTERMITTENT	TRK	TRUCK
CLK	CLOCK	L	LEFT	UPR	UPPER
CW	CLOCKWISE	LT	LIGHT	VLV	VALVE
CLSTR	CLUSTER	LTR	LIGHTER	VERT	VERTICAL
CL	CLUTCH	LWR	LOWER	VM	VOLTMETER
COL	COLUMN	MAG	MAGNET	VOL	VOLUME
COMM	COMMUTATOR	MOD	MODULATOR	WSHR	WASHER
CMPNT	COMPONENT	MDL	MODULE	WHL	WHEEL
CPRSR	COMPRESSOR	MOT	MOTOR	WDO	WINDOW
CONN	CONNECT	MTD	MOUNTED	WSHLD	WINDSHIELD
CONT	CONTINUED	NEG	NEGATIVE	WPR	WIPER
CSL	CONSOLE	N/	NOT WITH	W/	WITH
CONT	CONTACT	NO.	NUMBER	W/O	WITHOUT
CONT	CONTROL	PASS	PASSENGER		
CONV	CONVERTER	POSN	POSITION		
CLR	COOLER	POS	POSITIVE		
CTSY	COURTESY	POT	POTENTIOMETER		
CRUS	CRUISE	PWR	POWER		

CHK	DATE	CHANGE	REV	REFERENCE	DRAWN	NAME
0486	30DEC11	TITLE WAS CIRCUIT	B	82357E	300422	CIRCUIT DIAGRAM, PROSTAR, LONESTAR
					RELEASE NO.	DATE
					61802Y	09MAR09
						PART NO.
						AE08058095
						SHEET
						001

Figure 1 Abbreviations

ELECTRICAL CIRCUIT DIAGRAM MANUAL

2.2. ACRONYMS, P. 2

NAVISTAR, INC				ELECTRICAL CIRCUIT DIAGRAM CHAPTER 2																																																																																																																																					
THIS PRINT IS PROVIDED ON A RESTRICTED BASIS AND IS NOT TO BE USED IN ANY WAY DETRIMENTAL TO THE INTEREST OF NAVISTAR, INC.				ACRONYMS																																																																																																																																					
<table border="1" style="width: 100%; border-collapse: collapse;"> <thead> <tr> <th style="width: 70%;">DESCRIPTION</th> <th style="width: 30%;">ACRONYM</th> </tr> </thead> <tbody> <tr><td>ANTILOCK BRAKING SYSTEM</td><td>ABS</td></tr> <tr><td>ANTENNA COMMUNICATION UNIT</td><td>ACU</td></tr> <tr><td>ALTERNATING CURRENT</td><td>AC</td></tr> <tr><td>AXLE TO BACK OF CAB</td><td>AC</td></tr> <tr><td>AXLE TO FRAME</td><td>AF</td></tr> <tr><td>ACCELERATOR PEDAL MODULE</td><td>APM</td></tr> <tr><td>ACCELERATOR POSITION SENSOR</td><td>APS</td></tr> <tr><td>AUXILIARY POWER UNIT</td><td>APU</td></tr> <tr><td>AUTOMATIC TRACTION CONTROL</td><td>ATC</td></tr> <tr><td>AUDIO VIDEO INTERFACE</td><td>AVI</td></tr> <tr><td>BRAKE HORSEPOWER</td><td>BHP</td></tr> <tr><td>BACK OF CAB</td><td>BOC</td></tr> <tr><td>CITIZEN BAND</td><td>CB</td></tr> <tr><td>COLD CRANKING AMPERES</td><td>CCA</td></tr> <tr><td>CLEAN POWER ELECTRICAL CONNECTOR</td><td>CEC</td></tr> <tr><td>CAB OVER ENGINE</td><td>COE</td></tr> <tr><td>DIRECT CURRENT</td><td>DC</td></tr> <tr><td>DRIVER CONTROL MODULE</td><td>DCM</td></tr> <tr><td>DIGITAL DATA LINK</td><td>DDL</td></tr> <tr><td>DIESEL OXIDATION CATALYST INLET TEMPERATURE</td><td>DOCT</td></tr> <tr><td>DIESEL PARTICULATE FILTER</td><td>DPF</td></tr> <tr><td>DIESEL TURBOCHARGED</td><td>DT</td></tr> <tr><td>DAY TIME RUNNING LIGHTS</td><td>DTRL</td></tr> <tr><td>ELECTRONIC CONTROL MODULE</td><td>ECM</td></tr> <tr><td>ELECTRONIC CONTROL UNIT</td><td>ECU</td></tr> <tr><td>EXHAUST GAS RECIRCULATION</td><td>EGR</td></tr> <tr><td>EXHAUST GAS TEMPERATURE</td><td>EGT</td></tr> <tr><td>ELECTRO MAGNETIC INTERFACE</td><td>EMI</td></tr> <tr><td>END OF FRAME</td><td>EOF</td></tr> <tr><td>ELECTRIC TRAILER BRAKE</td><td>ETB</td></tr> <tr><td>FRONT AXLE</td><td>FA</td></tr> <tr><td>FRONT END</td><td>FE</td></tr> <tr><td>FRONT OF DASH</td><td>FOD</td></tr> <tr><td>FULL POWER BRAKE</td><td>FPB</td></tr> <tr><td>GLOBAL POSITIONING SYSTEM</td><td>GPS</td></tr> <tr><td>HYDRAULIC CONTROL UNIT</td><td>HCU</td></tr> <tr><td>HEAVY DUTY</td><td>HD</td></tr> <tr><td>HEAVY DUTY DIESEL</td><td>HDD</td></tr> <tr><td>HIGH PERFORMANCE TRUCK</td><td>HPT</td></tr> <tr><td>HEATING, VENTILATION, AND AIR CONDITIONING</td><td>HVAC</td></tr> </tbody> </table>				DESCRIPTION	ACRONYM	ANTILOCK BRAKING SYSTEM	ABS	ANTENNA COMMUNICATION UNIT	ACU	ALTERNATING CURRENT	AC	AXLE TO BACK OF CAB	AC	AXLE TO FRAME	AF	ACCELERATOR PEDAL MODULE	APM	ACCELERATOR POSITION SENSOR	APS	AUXILIARY POWER UNIT	APU	AUTOMATIC TRACTION CONTROL	ATC	AUDIO VIDEO INTERFACE	AVI	BRAKE HORSEPOWER	BHP	BACK OF CAB	BOC	CITIZEN BAND	CB	COLD CRANKING AMPERES	CCA	CLEAN POWER ELECTRICAL CONNECTOR	CEC	CAB OVER ENGINE	COE	DIRECT CURRENT	DC	DRIVER CONTROL MODULE	DCM	DIGITAL DATA LINK	DDL	DIESEL OXIDATION CATALYST INLET TEMPERATURE	DOCT	DIESEL PARTICULATE FILTER	DPF	DIESEL TURBOCHARGED	DT	DAY TIME RUNNING LIGHTS	DTRL	ELECTRONIC CONTROL MODULE	ECM	ELECTRONIC CONTROL UNIT	ECU	EXHAUST GAS RECIRCULATION	EGR	EXHAUST GAS TEMPERATURE	EGT	ELECTRO MAGNETIC INTERFACE	EMI	END OF FRAME	EOF	ELECTRIC TRAILER BRAKE	ETB	FRONT AXLE	FA	FRONT END	FE	FRONT OF DASH	FOD	FULL POWER BRAKE	FPB	GLOBAL POSITIONING SYSTEM	GPS	HYDRAULIC CONTROL UNIT	HCU	HEAVY DUTY	HD	HEAVY DUTY DIESEL	HDD	HIGH PERFORMANCE TRUCK	HPT	HEATING, VENTILATION, AND AIR CONDITIONING	HVAC	<table border="1" style="width: 100%; border-collapse: collapse;"> <thead> <tr> <th style="width: 70%;">DESCRIPTION</th> <th style="width: 30%;">ACRONYM</th> </tr> </thead> <tbody> <tr><td>INJECTOR DRIVE MODULE</td><td>IDM</td></tr> <tr><td>INPUT/OUTPUT</td><td>I/O</td></tr> <tr><td>INTEGRATED MOBILE COMMUNICATIONS TERMINAL</td><td>IMCT</td></tr> <tr><td>INSTRUMENT PANEL</td><td>I/P</td></tr> <tr><td>INDEPENDENT POWER TAKE-OFF</td><td>IPTO</td></tr> <tr><td>LIGHT COMMERCIAL TRANSMISSION</td><td>LCT</td></tr> <tr><td>MEDIUM DUTY</td><td>MD</td></tr> <tr><td>MALFUNCTION INDICATION LAMP</td><td>MIL</td></tr> <tr><td>MULTIPLEX SWITCH MODULE</td><td>MSM</td></tr> <tr><td>PYROMETER AMMETER MODULE</td><td>PAM</td></tr> <tr><td>PROGRAMMABLE LOGIC CONTROLLER</td><td>PLC</td></tr> <tr><td>POWER TAKE-OFF</td><td>PTO</td></tr> <tr><td>PULSE WIDTH MODULATION</td><td>PWM</td></tr> <tr><td>REAR AXLE</td><td>RA</td></tr> <tr><td>RADIO FREQUENCY</td><td>RF</td></tr> <tr><td>ROLL STABILITY PROGRAMM</td><td>RSP</td></tr> <tr><td>SEVERE SERVICE</td><td>SS</td></tr> <tr><td>TRANSMISSION CONTROL MODULE</td><td>TCM</td></tr> <tr><td>TERRESTRIAL COMMUNICATION UNIT</td><td>TCU</td></tr> <tr><td>TERRESTRIAL MOBILE COMMUNICATIONS TERMINAL</td><td>TMCT</td></tr> <tr><td>THERMAL OVERCRANK PROTECTION</td><td>TOCP</td></tr> <tr><td>THROTTLE POSITION SENSOR</td><td>TPS</td></tr> <tr><td>ZERO VOLT REFERENCE</td><td>ZVR</td></tr> </tbody> </table>				DESCRIPTION	ACRONYM	INJECTOR DRIVE MODULE	IDM	INPUT/OUTPUT	I/O	INTEGRATED MOBILE COMMUNICATIONS TERMINAL	IMCT	INSTRUMENT PANEL	I/P	INDEPENDENT POWER TAKE-OFF	IPTO	LIGHT COMMERCIAL TRANSMISSION	LCT	MEDIUM DUTY	MD	MALFUNCTION INDICATION LAMP	MIL	MULTIPLEX SWITCH MODULE	MSM	PYROMETER AMMETER MODULE	PAM	PROGRAMMABLE LOGIC CONTROLLER	PLC	POWER TAKE-OFF	PTO	PULSE WIDTH MODULATION	PWM	REAR AXLE	RA	RADIO FREQUENCY	RF	ROLL STABILITY PROGRAMM	RSP	SEVERE SERVICE	SS	TRANSMISSION CONTROL MODULE	TCM	TERRESTRIAL COMMUNICATION UNIT	TCU	TERRESTRIAL MOBILE COMMUNICATIONS TERMINAL	TMCT	THERMAL OVERCRANK PROTECTION	TOCP	THROTTLE POSITION SENSOR	TPS	ZERO VOLT REFERENCE	ZVR
DESCRIPTION	ACRONYM																																																																																																																																								
ANTILOCK BRAKING SYSTEM	ABS																																																																																																																																								
ANTENNA COMMUNICATION UNIT	ACU																																																																																																																																								
ALTERNATING CURRENT	AC																																																																																																																																								
AXLE TO BACK OF CAB	AC																																																																																																																																								
AXLE TO FRAME	AF																																																																																																																																								
ACCELERATOR PEDAL MODULE	APM																																																																																																																																								
ACCELERATOR POSITION SENSOR	APS																																																																																																																																								
AUXILIARY POWER UNIT	APU																																																																																																																																								
AUTOMATIC TRACTION CONTROL	ATC																																																																																																																																								
AUDIO VIDEO INTERFACE	AVI																																																																																																																																								
BRAKE HORSEPOWER	BHP																																																																																																																																								
BACK OF CAB	BOC																																																																																																																																								
CITIZEN BAND	CB																																																																																																																																								
COLD CRANKING AMPERES	CCA																																																																																																																																								
CLEAN POWER ELECTRICAL CONNECTOR	CEC																																																																																																																																								
CAB OVER ENGINE	COE																																																																																																																																								
DIRECT CURRENT	DC																																																																																																																																								
DRIVER CONTROL MODULE	DCM																																																																																																																																								
DIGITAL DATA LINK	DDL																																																																																																																																								
DIESEL OXIDATION CATALYST INLET TEMPERATURE	DOCT																																																																																																																																								
DIESEL PARTICULATE FILTER	DPF																																																																																																																																								
DIESEL TURBOCHARGED	DT																																																																																																																																								
DAY TIME RUNNING LIGHTS	DTRL																																																																																																																																								
ELECTRONIC CONTROL MODULE	ECM																																																																																																																																								
ELECTRONIC CONTROL UNIT	ECU																																																																																																																																								
EXHAUST GAS RECIRCULATION	EGR																																																																																																																																								
EXHAUST GAS TEMPERATURE	EGT																																																																																																																																								
ELECTRO MAGNETIC INTERFACE	EMI																																																																																																																																								
END OF FRAME	EOF																																																																																																																																								
ELECTRIC TRAILER BRAKE	ETB																																																																																																																																								
FRONT AXLE	FA																																																																																																																																								
FRONT END	FE																																																																																																																																								
FRONT OF DASH	FOD																																																																																																																																								
FULL POWER BRAKE	FPB																																																																																																																																								
GLOBAL POSITIONING SYSTEM	GPS																																																																																																																																								
HYDRAULIC CONTROL UNIT	HCU																																																																																																																																								
HEAVY DUTY	HD																																																																																																																																								
HEAVY DUTY DIESEL	HDD																																																																																																																																								
HIGH PERFORMANCE TRUCK	HPT																																																																																																																																								
HEATING, VENTILATION, AND AIR CONDITIONING	HVAC																																																																																																																																								
DESCRIPTION	ACRONYM																																																																																																																																								
INJECTOR DRIVE MODULE	IDM																																																																																																																																								
INPUT/OUTPUT	I/O																																																																																																																																								
INTEGRATED MOBILE COMMUNICATIONS TERMINAL	IMCT																																																																																																																																								
INSTRUMENT PANEL	I/P																																																																																																																																								
INDEPENDENT POWER TAKE-OFF	IPTO																																																																																																																																								
LIGHT COMMERCIAL TRANSMISSION	LCT																																																																																																																																								
MEDIUM DUTY	MD																																																																																																																																								
MALFUNCTION INDICATION LAMP	MIL																																																																																																																																								
MULTIPLEX SWITCH MODULE	MSM																																																																																																																																								
PYROMETER AMMETER MODULE	PAM																																																																																																																																								
PROGRAMMABLE LOGIC CONTROLLER	PLC																																																																																																																																								
POWER TAKE-OFF	PTO																																																																																																																																								
PULSE WIDTH MODULATION	PWM																																																																																																																																								
REAR AXLE	RA																																																																																																																																								
RADIO FREQUENCY	RF																																																																																																																																								
ROLL STABILITY PROGRAMM	RSP																																																																																																																																								
SEVERE SERVICE	SS																																																																																																																																								
TRANSMISSION CONTROL MODULE	TCM																																																																																																																																								
TERRESTRIAL COMMUNICATION UNIT	TCU																																																																																																																																								
TERRESTRIAL MOBILE COMMUNICATIONS TERMINAL	TMCT																																																																																																																																								
THERMAL OVERCRANK PROTECTION	TOCP																																																																																																																																								
THROTTLE POSITION SENSOR	TPS																																																																																																																																								
ZERO VOLT REFERENCE	ZVR																																																																																																																																								
CHK	DATE	CHANGE	REV	REFERENCE	DRAWN	NAME																																																																																																																																			
0486	30DEC11	TITLE WAS CIRCUIT	B	82357E	300422	CIRCUIT DIAGRAM, PROSTAR, LONESTAR																																																																																																																																			
		DIAGRAM, PROSTAR.			RELEASE NO.	DATE	PART NO.																																																																																																																																		
					61802Y	09MAR09	AE08058095																																																																																																																																		
						SHEET	002																																																																																																																																		

Figure 2 Acronyms

2.3. CIRCUIT DIAGRAM INSTRUCTIONS, P. 3

**NAVISTAR, INC**

THIS PRINT IS PROVIDED ON A RESTRICTED BASIS AND IS NOT TO BE USED IN ANY WAY DETRIMENTAL TO THE INTEREST OF NAVISTAR, INC.

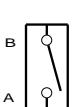
**ELECTRICAL CIRCUIT DIAGRAM**

**CHAPTER 2**

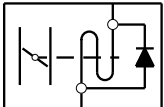
**CIRCUIT DIAGRAM INSTRUCTIONS**

---

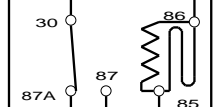
**A - SWITCH AND RELAY POSITIONS AS SHOWN ON CIRCUIT DIAGRAMS INDICATE NORMAL POSITION WITH IGNITION OFF UNLESS OTHERWISE NOTED.**



SWITCH, MECHANICAL

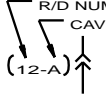


SOLENOID



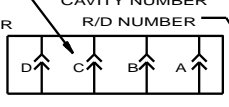
RELAY - SUPPRESSED

**B - MULTIPLE CONNECTIONS ARE DISPLAYED ON SCHEMATIC AS SHOWN WITH R/D NUMBER & CAVITY NUMBER. REFER TO CONNECTOR COMPOSITE FOR MORE INFORMATION**




R/D NUMBER  
CAVITY NUMBER  
(12-A)

AND/OR



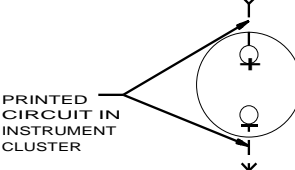
CAVITY NUMBER  
R/D NUMBER  
(12)

SINGLE IN-LINE CONNECTORS DISPLAYED AS SHOWN BELOW WITHOUT R/D NUMBER




---

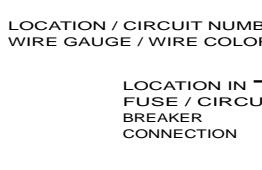
**C - PHANTOM LINES INDICATE PRINTED CIRCUITS OR BUSSED CIRCUITS. THESE CIRCUITS EXIST IN THE INSTRUMENT CLUSTER AND FUSE / CIRCUIT BREAKER CONNECTORS.**



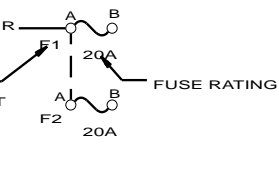
PRINTED CIRCUIT IN INSTRUMENT CLUSTER



VOLTMETER



LOCATION / CIRCUIT NUMBER  
WIRE GAUGE / WIRE COLOR




LOCATION IN FUSE / CIRCUIT BREAKER CONNECTION

FUSE RATING

---

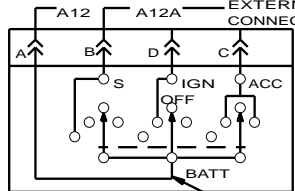
**D - MULTIPLE CIRCUIT NUMBERS ON A LINE INDICATE ONE CIRCUIT DISTRIBUTING CURRENT TO TWO CIRCUITS.**



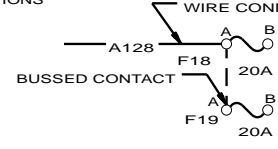
SPLICE

---

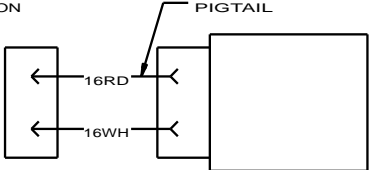
**E - SWITCHES, RELAYS AND COMPONENTS INDICATE EXTERNAL WIRE CONNECTIONS AND / OR INTERNAL CONNECTIONS OR CONTACTS.**



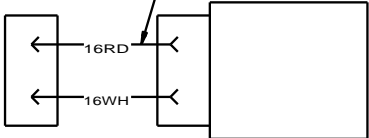
KEY SWITCH (1101M)



BUSSED CONTACT




PIGTAIL




BODY CONTROLLER (1602)

---


**F - CIRCUIT "11" DENOTES ANY COMMON GROUND (MORE THAN ONE CIRCUIT). ANY INDIVIDUAL GROUND CIRCUIT IS IDENTIFIED WITH THAT PARTICULAR CIRCUIT NUMBER. (E.G. CIRCUIT 32 CRUISE CONTROL IS IDENTIFIED AS PER EXAMPLE)**




COMMON GROUND CIRCUIT NUMBER



SUFFIX BEGINNING WITH G INDICATES A GROUND CIRCUIT



INDIVIDUAL GROUND CIRCUIT NUMBER



SUFFIX BEGINNING WITH G INDICATES A GROUND CIRCUIT

NOTE: FOR CIRCUIT DESCRIPTION OTHER THAN GROUNDS NEITHER THE LETTER "G" NOR THE COLOR WHITE SHALL BE USED

---

CHK	DATE	CHANGE	REV	REFERENCE	DRAWN	NAME
0486	30DEC11	TITLE WAS CIRCUIT	B	82357E	300422	CIRCUIT DIAGRAM, PROSTAR, LONESTAR
		DIAGRAM, PROSTAR.			RELEASE NO.	DATE
					61802Y	09MAR09
					PART NO.	SHEET
					AE08058095	003

Figure 3 Circuit Diagram Instructions

3

2.4. CIRCUIT NUMBER IDENTIFICATION AND COLOR, P. 4

NAVISTAR, INC		ELECTRICAL CIRCUIT DIAGRAM	
THIS PRINT IS PROVIDED ON A RESTRICTED BASIS AND IS NOT TO BE USED IN ANY WAY DETRIMENTAL TO THE INTEREST OF NAVISTAR, INC.		CHAPTER 2 CIRCUIT NUMBER IDENTIFICATION AND COLOR	
CIRCUIT NUMBER	COLOR	DESCRIPTION	
1	LTBL	ALTERNATOR - FIELD	
2	RD	ALTERNATOR - CHARGE	
3	DKBL	SERIAL / DATA COMMUNICATION J1587 / J1708 (+)	
	GY	SERIAL / DATA COMMUNICATION J1587 / J1708 (-)	
4	DKBL	SERIAL / DATA COMMUNICATION J1922 (+)	
	GY	SERIAL / DATA COMMUNICATION J1922 (-)	
5	YL	SERIAL / DATA COMMUNICATION J1939/11 / J1939/15 (+)	
	GN	SERIAL / DATA COMMUNICATION J1939/11 / J1939/15 (-)	
6	GY	LOW VOLTAGE ELECTRONIC FEED (LESS THAN 9 VOLTS)	
7	RD	ALTERNATOR - RESISTANCE	
8			
9	GY	LOW VOLTAGE ELECTRONIC GROUND	
10	WH	CHASSIS / ENGINE GROUND	
11	WH	CAB / SLEEPER GROUND	
12	LTBL	ACCESSORY FEED	
13	PK	IGNITION FEED	
	BK	IGNITION FEED (BODY BUILDER CONNECTOR)	
14	RD	BATTERY FEED	
15	RD	KEY SWITCH FEED	
16			
17	PK	STARTER CONTROL	
18	PK	GLOW PLUG / PREHEATER	
19	GY	ENGINE SHUTDOWN	
20	LTGN	REMOTE POWER MODULE	
21	TN	COLD START CONTROLS (ETHER)	
22	TN	TIRE PRESSURE MONITORING / CONTROL	
23	TN	ENGINE FAN / SHUTTERS	
24	GY	ENGINE EXHAUST BRAKE	
25	TN	PYROMETER	
26	TN	AMMETER	
27	TN	VOLTMETER	
28	TN	INSTRUMENTS AND GAUGES	
29	TN	ENGINE WATER TEMPERATURE	
30	TN	ENGINE OIL TEMPERATURE	
31	TN	TRANSMISSION OIL TEMPERATURE	
32	TN	AXLE OIL TEMPERATURE	
33	TN	ENGINE OIL LEVEL	
34	TN	COOLANT LEVEL	
35	TN	ENGINE OIL PRESSURE	
36	TN	FUEL LEVEL	
37	TN	FUEL PUMP	
38	GY	LIFT AXLE	
39	GY	AIR DRYER HEATER	
40	GY	LOW AIR PRESSURE WARNING	

CHK	DATE	CHANGE	REV	REFERENCE	DRAWN	NAME
0486	30DEC11	TITLE WAS CIRCUIT	B	82357E	300422	CIRCUIT DIAGRAM, PROSTAR, LONESTAR
	DIAGRAM, PROSTAR.				RELEASE NO. 61802Y	DATE 09MAR09
						PART NO. AE08058095
						SHEET 004

Figure 4 Circuit Number Identification and Color

2.5. CIRCUIT NUMBER IDENTIFICATION AND COLOR (CONT.), P. 5

NAVISTAR, INC				ELECTRICAL CIRCUIT DIAGRAM			
THIS PRINT IS PROVIDED ON A RESTRICTED BASIS AND IS NOT TO BE USED IN ANY WAY DETRIMENTAL TO THE INTEREST OF NAVISTAR, INC.				CHAPTER 2			
				CIRCUIT NUMBER IDENTIFICATION AND COLOR (CONT.)			
CIRCUIT NUMBER	COLOR	DESCRIPTION					
41	TN	AIR TEMPERATURE					
42	GY	FRONT AXLE ENGAGED					
43	GY	POWER DIVIDER LOCK (PDL) WARNING					
44	GY	PARK BRAKE WARNING					
45	LTGN	ANTITHEFT WARNING					
46	GY	POWER TAKEOFF WARNING					
47	GY	SPEEDOMETER					
48	GY	TACHOMETER					
49	GY	DIFFERENTIAL LOCK WARNING					
50	YL	LIGHT SWITCH FEED					
51	YL	DIMMER SWITCH FEED					
52	YL	HEADLIGHT HI - BEAM					
53	YL	HEADLIGHT LO - BEAM					
54	BN	PARKING / MARKER LIGHTS					
55	OR	TURN SIGNAL - FEED					
56	OR	TURN SIGNAL LIGHTS - LEFT					
	YL	TURN SIGNAL LIGHTS - LEFT (BODY BUILDER CONNECTION)					
57	OR	TURN SIGNAL LIGHTS - RIGHT					
	LTGN	TURN SIGNAL LIGHTS - RIGHT (BODY BUILDER CONNECTION)					
58	BN	CLEARANCE / IDENTIFICATION LIGHTS					
59	GY	SOLENOID					
60	OR	HAZARD LIGHTS					
61	GY	AIR SUSPENSION					
62	DKBL	PANEL LIGHTS					
63	DKBL	COURTESY / DOME LIGHTS					
64	YL	FOG / DRIVING LIGHTS					
65	OR	CAB REAR FLOOD LIGHTS					
66	YL	DAYTIME RUNNING LIGHT					
67	GY	OBSTACLE AVOIDANCE / REMOTE SENSOR					
68	BN	TAIL LIGHTS					
69	BN	LICENSE PLATE LIGHT					
70	OR	STOP LIGHTS					
	RD	STOP LIGHTS (BODY BUILDER CONNECTION)					
71	OR	BACKUP - LIGHTS					
	LTBL	BACKUP - LIGHTS (BODY BUILDER CONNECTION)					
72	OR	TRAILER AUXILIARY FEED - BATTERY					
73	LTGN	PWM					
74	LTGN	HEATER RECIRC MOTOR					
75	LTGN	HEATER BLOWER MOTOR					
76	LTGN	AUXILIARY FAN					
77	LTGN	AIR CONDITIONER					
78	LTGN	MIRRORS - HEATED, MOTORIZED					
79	GY	SEAT BELTS					
80	BK	SLEEPER BOX RELAY - FEED					

CHK	DATE	CHANGE	REV	REFERENCE	DRAWN	NAME
0486	30DEC11	TITLE WAS CIRCUIT	B	82357E	300422	CIRCUIT DIAGRAM, PROSTAR, LONEATAR
	DIAGRAM	PROSTAR.			RELEASE NO.	DATE
					61802Y	09MAR09
					PART NO.	SHEET
					AE08058095	005

Figure 5 Circuit Number Identification and Color (Cont.)

2.6. CIRCUIT NUMBER IDENTIFICATION AND COLOR (CONT.), P. 6

NAVISTAR, INC				ELECTRICAL CIRCUIT DIAGRAM			
THIS PRINT IS PROVIDED ON A RESTRICTED BASIS AND IS NOT TO BE USED IN ANY WAY DETRIMENTAL TO THE INTEREST OF NAVISTAR, INC.				CHAPTER 2 CIRCUIT NUMBER IDENTIFICATION AND COLOR (CONT.)			
CIRCUIT NUMBER	COLOR	DESCRIPTION					
81	LTGN	POWER DOOR LOCKS					
82	GY	WINDSHIELD WIPER					
83	LTGN	POWER WINDOWS					
84	LTGN	CIGAR LIGHTER					
85	GY	HORN					
86	LTGN	RADIO - ENTERTAINMENT / CLOCK					
87	GY	WINDSHIELD WASHER					
88	LTGN	CLOCK / HOURMETER					
89	VT	AIR BAG					
90	GY	HYDRAULIC BRAKE PUMP					
91	VT	INTERCOMMUNICATION					
92	TN	TRANSMISSION CONTROLS - ELECTRONICS					
93	TN	AXLE SHIFT CONTROL					
94	GY	ANTILOCK BRAKE SYSTEM					
95	TN	EXHAUST EMISSION					
96	YL	SNOW PLOW LIGHTS / CRUISE CONTROLS					
97	VT	ENGINE CONTROLS - ELECTRONIC					
98	BK	DATALINK AND DIAGNOSTICS					
99	VT	ACCELERATOR POSITION SENSOR (APS)					
100	GY	AIR HORN (ELECTRIC SOLENOID ACTUATED)					
101	TN	BRAKE APPLICATION AIR					
102	YL	FLASH TO PASS					
103	LTGN	BODY BUILDER AUXILIARY FEED					
104	DKBL	REMOTE START / STOP					
105	LTGN	HEATED SEATS					
106	OR	HIGH VOLTAGE ALTERNATOR AC CHARGE					
107	GY	INSTRUMENT CLUSTER ELECTRONIC FEED (5V)					
108	GY	BRAKE PAD WEAR SENSOR					
109	GY	BRAKE STROKE / SLACK ADJUSTER					
110	GY	INSTRUMENT CLUSTER ELECTRONIC GROUND					
111	TN	FUEL FILTER RESTRICTION TRANSDUCER					
112	GY	LIFT GATE					

PREFIX	LOCATION
A	CAB - INSTRUMENT PANEL MODULE
B	CAB - DRIVER CONTROL MODULE
C	CAB - HEADER / CLEARANCE LIGHTS
D	CAB - ROOF / REAR PANEL
E	CAB - LEFT DOOR / DOORS
F	CAB - RIGHT DOOR / DOORS
H	CAB - SLEEPER
J	CAB - DASH (OUTSIDE)
K	ENGINE / RADIATOR
L	TRANSMISSION
M	CHASSIS / FRONT END (CAB DASH PANEL FORWARD)
N	CHASSIS / CENTER SECTION (CAB DASH PANEL TO CAB REAR XMBR)
P	CHASSIS / WHEEL BASE SECTION
R	CHASSIS / SUSPENSION / REAR AXLE / AXLES
S	CHASSIS / AF SECTION / STOP / TAIL / TURN LIGHTS
T	TRAVEL DOORS
U	HOOD MTD HEADLIGHTS / MARKER LIGHTS
V	SLEEPER ROOF / BACK PANEL WIRING
W	WARDROBE CABINET WIRING

CHK	DATE	CHANGE	REV	REFERENCE	DRAWN	NAME	
0486	30DEC11	TITLE WAS CIRCUIT	B	82357E	300422	CIRCUIT DIAGRAM, PROSTAR, LONESTAR	
					RELEASE NO.	DATE	PART NO.
					61802Y	09MAR09	AE08058095
		DIAGRAM, PROSTAR.					SHEET 006

Figure 6 Circuit Number Identification and Color (Cont.)

2.7. LAMP BULB CHART, P. 7

<b>NAVISTAR, INC</b>				<b>ELECTRICAL CIRCUIT DIAGRAM</b>																																																																					
THIS PRINT IS PROVIDED ON A RESTRICTED BASIS AND IS NOT TO BE USED IN ANY WAY DETRIMENTAL TO THE INTEREST OF NAVISTAR, INC.				<b>CHAPTER 2</b>																																																																					
				<b>LAMP BULB CHART</b>																																																																					
<table border="1" style="width: 100%; border-collapse: collapse;"> <thead> <tr> <th style="width: 50%;">BULB APPLICATION</th> <th style="width: 20%;">CANDLE POWER OR WATT</th> <th style="width: 30%;">BULB TRADE NUMBER</th> </tr> </thead> <tbody> <tr><td>BACK-UP LIGHT (SUPER 40)</td><td>32 CP</td><td>TL40204</td></tr> <tr><td>CLEARANCE &amp; IDENTIFICATION</td><td>3 CP</td><td>N/A</td></tr> <tr><td>COURTESY LIGHT</td><td>2 CP</td><td>193</td></tr> <tr><td>CAB DOME LIGHT</td><td>12 WATT</td><td>211-2</td></tr> <tr><td>SLEEPER DOME LIGHT (FLUORESCENT)</td><td>15 WATT</td><td>F15T8CW</td></tr> <tr><td>FOG LIGHT</td><td>100 WATT</td><td>4921-1</td></tr> <tr><td>MAP LIGHT</td><td>3 CP</td><td>211-2</td></tr> <tr><td>SIDE MARKER / TURN LIGHT</td><td>27 WATT</td><td>3156</td></tr> <tr><td>STOP, TURN AND TAIL LIGHT (SUPER 40)</td><td>32/2 CP</td><td>TL40248R</td></tr> <tr><td>HEADLIGHTS, HIGH BEAM</td><td>65 WATT</td><td>9005</td></tr> <tr><td>HEADLIGHTS, LOW BEAM</td><td>55 WATT</td><td>9006</td></tr> <tr><td>FRONT MARKER / TURN LIGHT</td><td>27 / 8 WATT</td><td>3357AK</td></tr> <tr><td>SIDE MARKER (FRONT)</td><td>4 WATT</td><td>194</td></tr> <tr><td>LICENSE PLATE LIGHT (SUPER 40)</td><td>2 CP</td><td>TL1508</td></tr> <tr><td>BOC WORK LIGHT (DAY CAB)</td><td>35 WATT</td><td>4411</td></tr> <tr><td>WORK LIGHTS (IN SLEEPER BACK PANEL)</td><td>15 CP</td><td>1003</td></tr> <tr><td>LUGGAGE COMPARTMENT LIGHT</td><td>12 WATT</td><td>211-2</td></tr> <tr><td>READING LIGHT</td><td>15 CP</td><td>912</td></tr> <tr><td>ACCENT LIGHT</td><td>12 WATT</td><td>211-2</td></tr> <tr><td>SLEEPER FLOOR LIGHT</td><td>2 CP</td><td>193</td></tr> <tr><td>CABINET / WARDROBE LIGHT</td><td>5 WATT</td><td>7575</td></tr> </tbody> </table>								BULB APPLICATION	CANDLE POWER OR WATT	BULB TRADE NUMBER	BACK-UP LIGHT (SUPER 40)	32 CP	TL40204	CLEARANCE & IDENTIFICATION	3 CP	N/A	COURTESY LIGHT	2 CP	193	CAB DOME LIGHT	12 WATT	211-2	SLEEPER DOME LIGHT (FLUORESCENT)	15 WATT	F15T8CW	FOG LIGHT	100 WATT	4921-1	MAP LIGHT	3 CP	211-2	SIDE MARKER / TURN LIGHT	27 WATT	3156	STOP, TURN AND TAIL LIGHT (SUPER 40)	32/2 CP	TL40248R	HEADLIGHTS, HIGH BEAM	65 WATT	9005	HEADLIGHTS, LOW BEAM	55 WATT	9006	FRONT MARKER / TURN LIGHT	27 / 8 WATT	3357AK	SIDE MARKER (FRONT)	4 WATT	194	LICENSE PLATE LIGHT (SUPER 40)	2 CP	TL1508	BOC WORK LIGHT (DAY CAB)	35 WATT	4411	WORK LIGHTS (IN SLEEPER BACK PANEL)	15 CP	1003	LUGGAGE COMPARTMENT LIGHT	12 WATT	211-2	READING LIGHT	15 CP	912	ACCENT LIGHT	12 WATT	211-2	SLEEPER FLOOR LIGHT	2 CP	193	CABINET / WARDROBE LIGHT	5 WATT	7575
BULB APPLICATION	CANDLE POWER OR WATT	BULB TRADE NUMBER																																																																							
BACK-UP LIGHT (SUPER 40)	32 CP	TL40204																																																																							
CLEARANCE & IDENTIFICATION	3 CP	N/A																																																																							
COURTESY LIGHT	2 CP	193																																																																							
CAB DOME LIGHT	12 WATT	211-2																																																																							
SLEEPER DOME LIGHT (FLUORESCENT)	15 WATT	F15T8CW																																																																							
FOG LIGHT	100 WATT	4921-1																																																																							
MAP LIGHT	3 CP	211-2																																																																							
SIDE MARKER / TURN LIGHT	27 WATT	3156																																																																							
STOP, TURN AND TAIL LIGHT (SUPER 40)	32/2 CP	TL40248R																																																																							
HEADLIGHTS, HIGH BEAM	65 WATT	9005																																																																							
HEADLIGHTS, LOW BEAM	55 WATT	9006																																																																							
FRONT MARKER / TURN LIGHT	27 / 8 WATT	3357AK																																																																							
SIDE MARKER (FRONT)	4 WATT	194																																																																							
LICENSE PLATE LIGHT (SUPER 40)	2 CP	TL1508																																																																							
BOC WORK LIGHT (DAY CAB)	35 WATT	4411																																																																							
WORK LIGHTS (IN SLEEPER BACK PANEL)	15 CP	1003																																																																							
LUGGAGE COMPARTMENT LIGHT	12 WATT	211-2																																																																							
READING LIGHT	15 CP	912																																																																							
ACCENT LIGHT	12 WATT	211-2																																																																							
SLEEPER FLOOR LIGHT	2 CP	193																																																																							
CABINET / WARDROBE LIGHT	5 WATT	7575																																																																							
CHK	DATE	CHANGE	REV	REFERENCE	DRAWN	NAME																																																																			
0486	30DEC11	TITLE WAS CIRCUIT	B	82357E	300422	CIRCUIT DIAGRAM, PROSTAR, LONESTAR																																																																			
		DIAGRAM, PROSTAR.			RELEASE NO.	DATE	PART NO. SHEET																																																																		
					61802Y	09MAR09	AE08058095 007																																																																		

Figure 7 Lamp Bulb Chart

2.8. RELAY FUNCTION AND WIRING GUIDE, P. 8

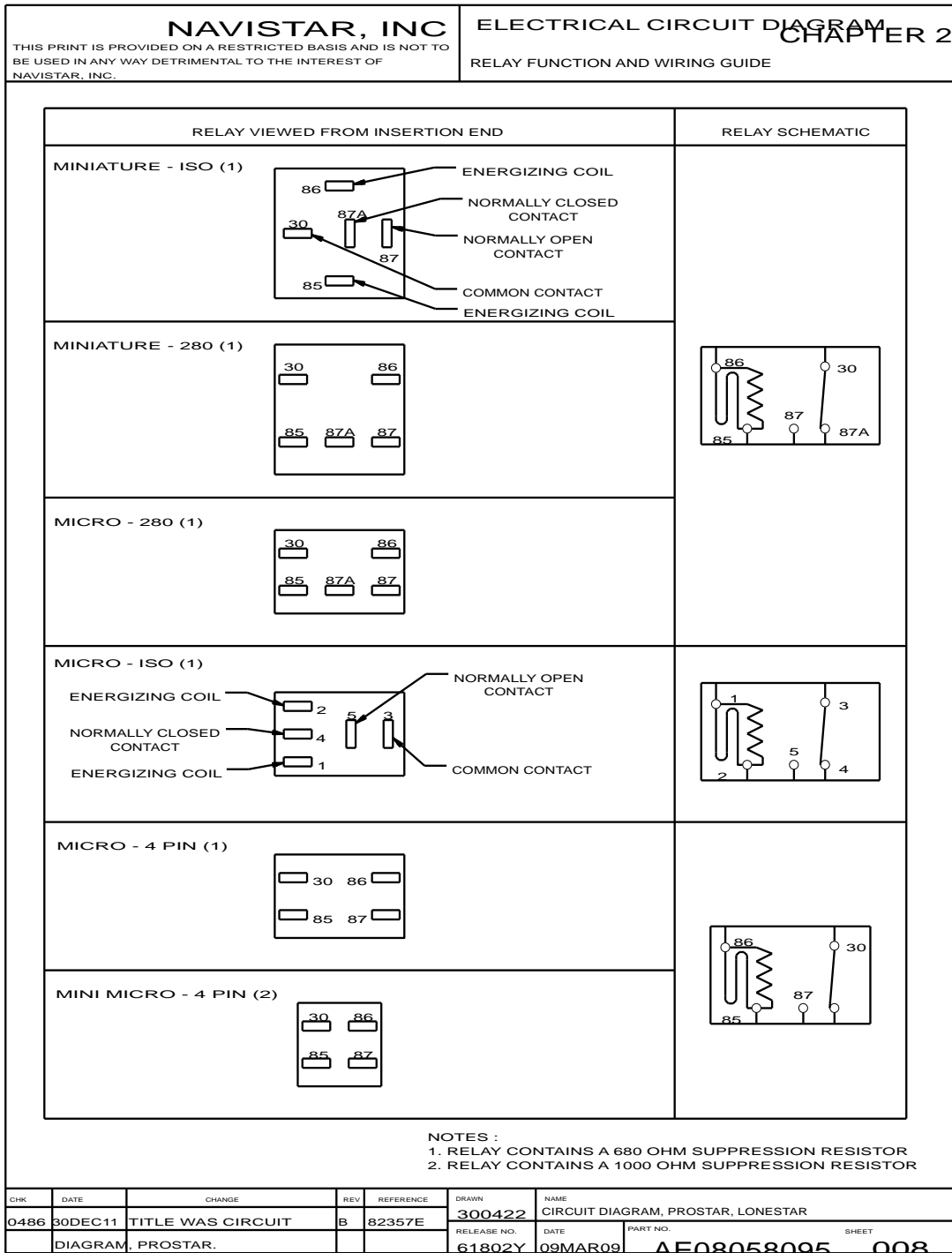


Figure 8 Relay Function and Wiring Guide



2.9. SCHEMATIC SYMBOL CHART, P. 9

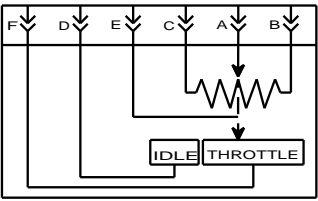
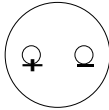
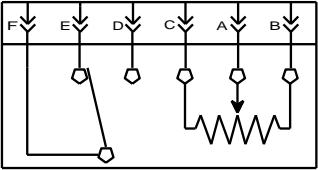
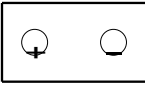
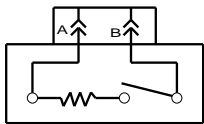
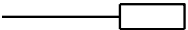
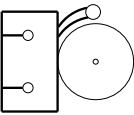
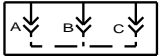
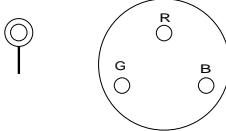

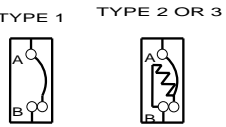
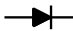
NAVISTAR, INC					ELECTRICAL CIRCUIT DIAGRAM CHAPTER 2		
THIS PRINT IS PROVIDED ON A RESTRICTED BASIS AND IS NOT TO BE USED IN ANY WAY DETRIMENTAL TO THE INTEREST OF NAVISTAR, INC.					SCHEMATIC SYMBOL CHART		
SYMBOL		DESCRIPTION		SYMBOL		DESCRIPTION	
		ACCEL PEDAL POSN SENSOR				AMMETER	
		ACCEL PEDAL POSN SENSOR				BATTERY	
		AIR DRYER				BLUNT CUT CIRCUIT	
		ALARM				BUSBAR	
		ALTERNATOR				CIGAR LIGHTER	
		CIRCUIT BREAKER				DIODE	
CHK	DATE	CHANGE	REV	REFERENCE	DRAWN	NAME	
0486	30DEC11	TITLE WAS CIRCUIT	B	82357E	300422	CIRCUIT DIAGRAM, PROSTAR, LONESTAR	
	DIAGRAM, PROSTAR.				RELEASE NO.	DATE	PART NO.
					61802Y	19AUG09	AE08058095
							SHEET 009

Figure 9 Schematic Symbol Chart

2.10. SCHEMATIC SYMBOL CHART (CONT.), P. 10

NAVISTAR, INC					ELECTRICAL CIRCUIT <del>CHAPTER 2</del>				
THIS PRINT IS PROVIDED ON A RESTRICTED BASIS AND IS NOT TO BE USED IN ANY WAY DETRIMENTAL TO THE INTEREST OF NAVISTAR, INC.					SCHEMATIC SYMBOL CHART (CONT)				
SYMBOL		DESCRIPTION			SYMBOL		DESCRIPTION		
		DIODE, LIGHT EMITTING					HORN		
		FAN SOLENOID					KEY SWITCH		
		FEMALE TERMINAL					KEY SWITCH, COMPLEX		
		FUSE					LIGHT W/ SWITCH		
		FUSIBLE LINK					LIGHT, DOUBLE FILAMENT		
		FUSES W/ BUSBAR					LIGHT, SINGLE FILAMENT		
		GROUND N/ STUD							
		HEATER							
		HOLDER, FUSE W/ BUSBAR							

CHK	DATE	CHANGE	REV	REFERENCE	DRAWN	NAME
-	-	TITLE WAS CIRCUIT	B	82357E	300422	CIRCUIT DIAGRAM, PROSTAR, LONESTAR
		DIAGRAM, PROSTAR.			RELEASE NO.	DATE
					61802Y	19AUG09
					PART NO.	SHEET
					AE08058095	010

Figure 10 Schematic Symbol Chart (Cont.)

2.11. SCHEMATIC SYMBOL CHART (CONT.), P. 11

<b>NAVISTAR, INC</b> <small>THIS PRINT IS PROVIDED ON A RESTRICTED BASIS AND IS NOT TO BE USED IN ANY WAY DETRIMENTAL TO THE INTEREST OF NAVISTAR, INC.</small>				<b>ELECTRICAL CIRCUIT DIAGRAM</b> <b>CHAPTER 2</b> <b>SCHEMATIC SYMBOL CHART (CONT)</b>			
SYMBOL		DESCRIPTION		SYMBOL		DESCRIPTION	
		MALE TERMINAL				RESISTOR	
		MOTOR				SENDER - FUEL, OIL, TEMP, WATER	
		PASS THRU CONNECTION				SENSOR, PRESSURE. ABS 6	
		PRESSURE SWITCH				SENSOR, MAGNETIC	
		RELAY, FIVE TERMINAL				SENSOR, YAW	
		RELAY, FOUR TERMINAL				SOLENOID	
		RELAY, LATCHING				SOLENOID W/ DIODE	
CHK	DATE	CHANGE	REV	REFERENCE	DRAWN	NAME	
0486	30DEC11	TITLE WAS CIRCUIT	B	82357E	300422	CIRCUIT DIAGRAM, PROSTAR, LONESTAR	
		DIAGRAM, PROSTAR.			RELEASE NO.	DATE	PART NO. SHEET
					61802Y	09MAR09	AE08058095 011

Figure 11 Schematic Symbol Chart (Cont.)

2.12. SCHEMATIC SYMBOL CHART (CONT.), P. 12

NAVISTAR, INC					ELECTRICAL CIRCUIT DIAGRAM				
THIS PRINT IS PROVIDED ON A RESTRICTED BASIS AND IS NOT TO BE USED IN ANY WAY DETRIMENTAL TO THE INTEREST OF NAVISTAR, INC.					CHAPTER 2				
					SCHEMATIC SYMBOL CHART (CONT)				
SYMBOL		DESCRIPTION			SYMBOL		DESCRIPTION		
		SPEAKER					SWITCH, PUSH BUTTON		
		SPLICE					TERMINATING RESISTOR		
		STUD					THERMOSTAT		
		START MOTOR W/ TOCP					VALVE, ETHER BOTTLE		
		SWITCH, MECHANICAL (NORMALLY OPEN)					VALVE, MODULATOR		
		SWITCH, MECHANICAL (NORMALLY CLOSED)					THERMISTOR		
CHK	DATE	CHANGE	REV	REFERENCE	DRAWN	NAME			
0486	13JAN12	TITLE WAS CIRCUIT	C	82357E	300422	CIRCUIT DIAGRAM, PROSTAR, LONESTAR			
		DIAGRAM	PROSTAR.		RELEASE NO.	DATE	PART NO.	SHEET	
					61802Y	09MAR09	AE08058095	012	

Figure 12 Schematic Symbol Chart (Cont.)

# 12 VOLT POWER DISTRIBUTION (CHAPTER 3)

## 3.1. BATTERY FEED, P. 1

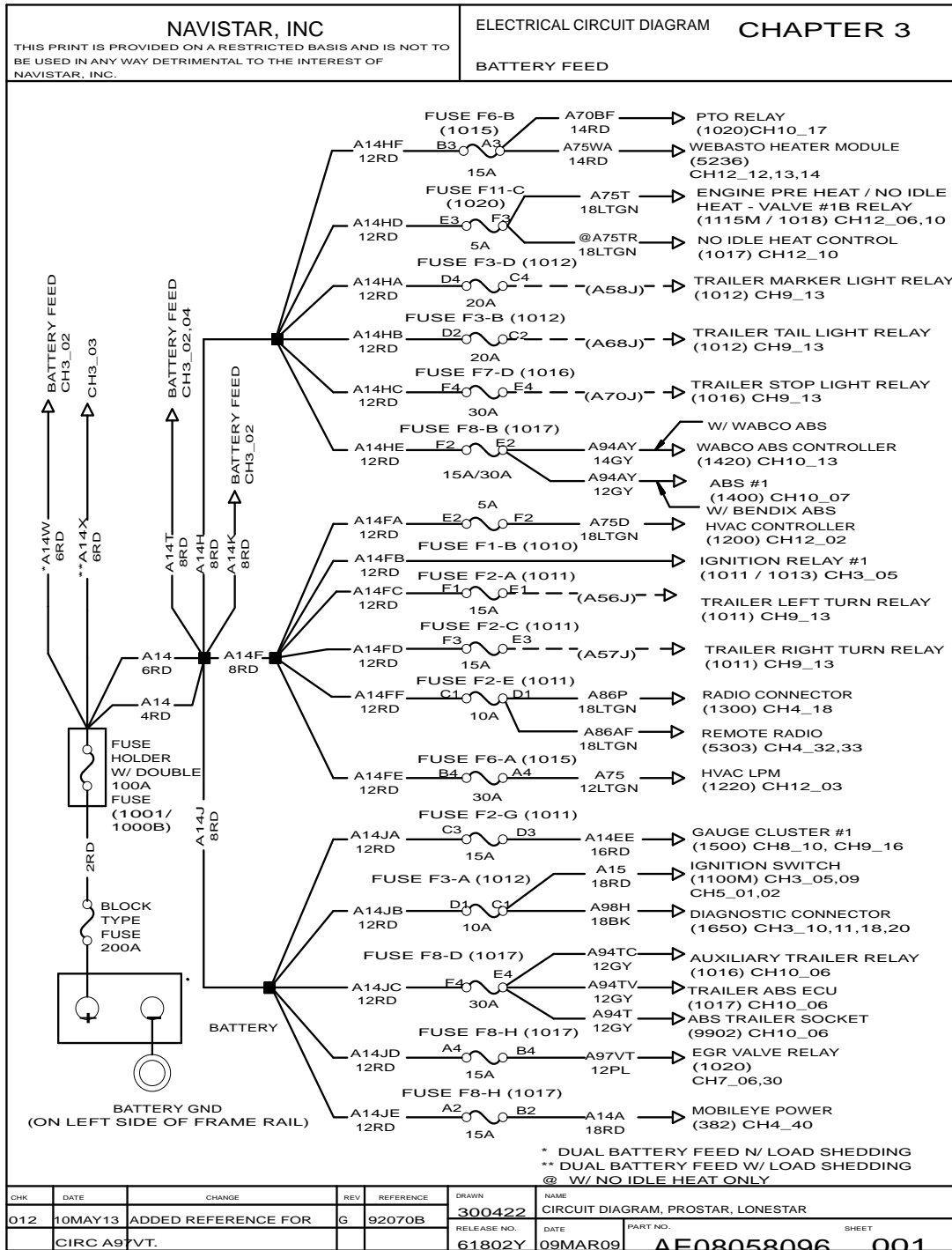


Figure 13 Battery Feed

3.2. BATTERY FEED (CONT.), P. 2

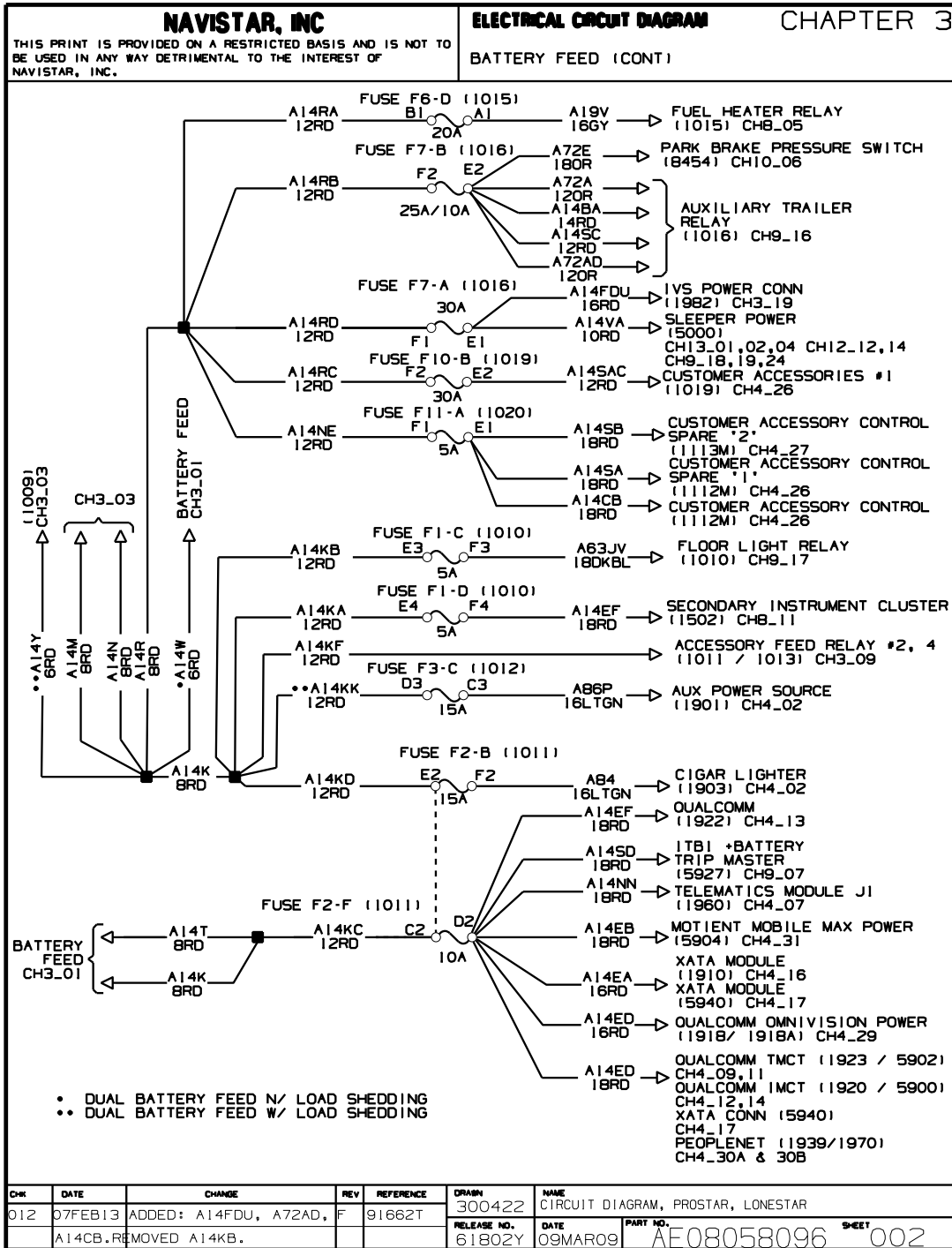


Figure 14 Battery Feed (Cont.)

3.3. BATTERY FEED (CONT.), P. 2A

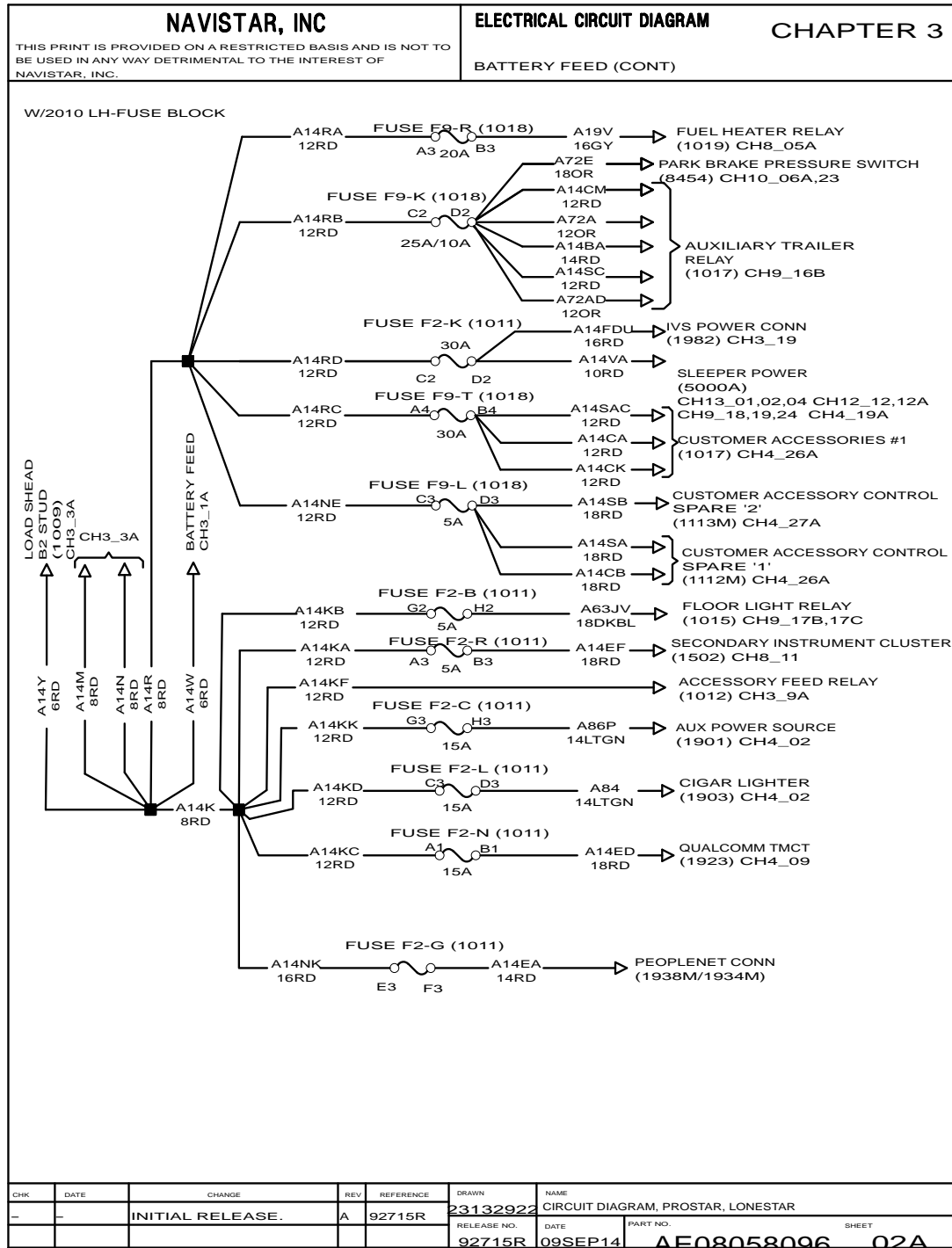


Figure 15 Battery Feed (Cont.)

3.4. BATTERY FEED (CONT.), P. 3

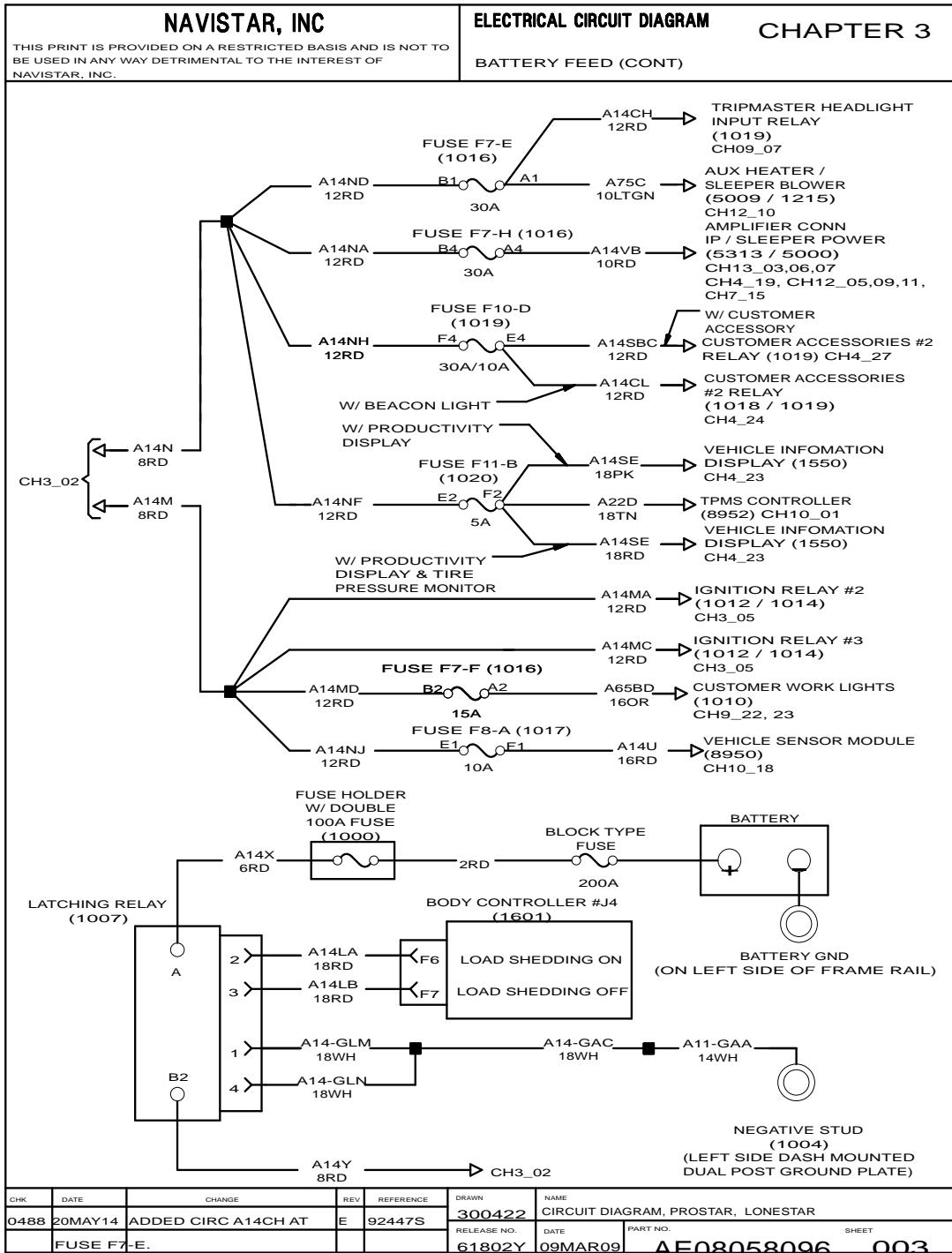


Figure 16 Battery Feed (Cont.)



3.5. BATTERY FEED (CONT.), P. 3A

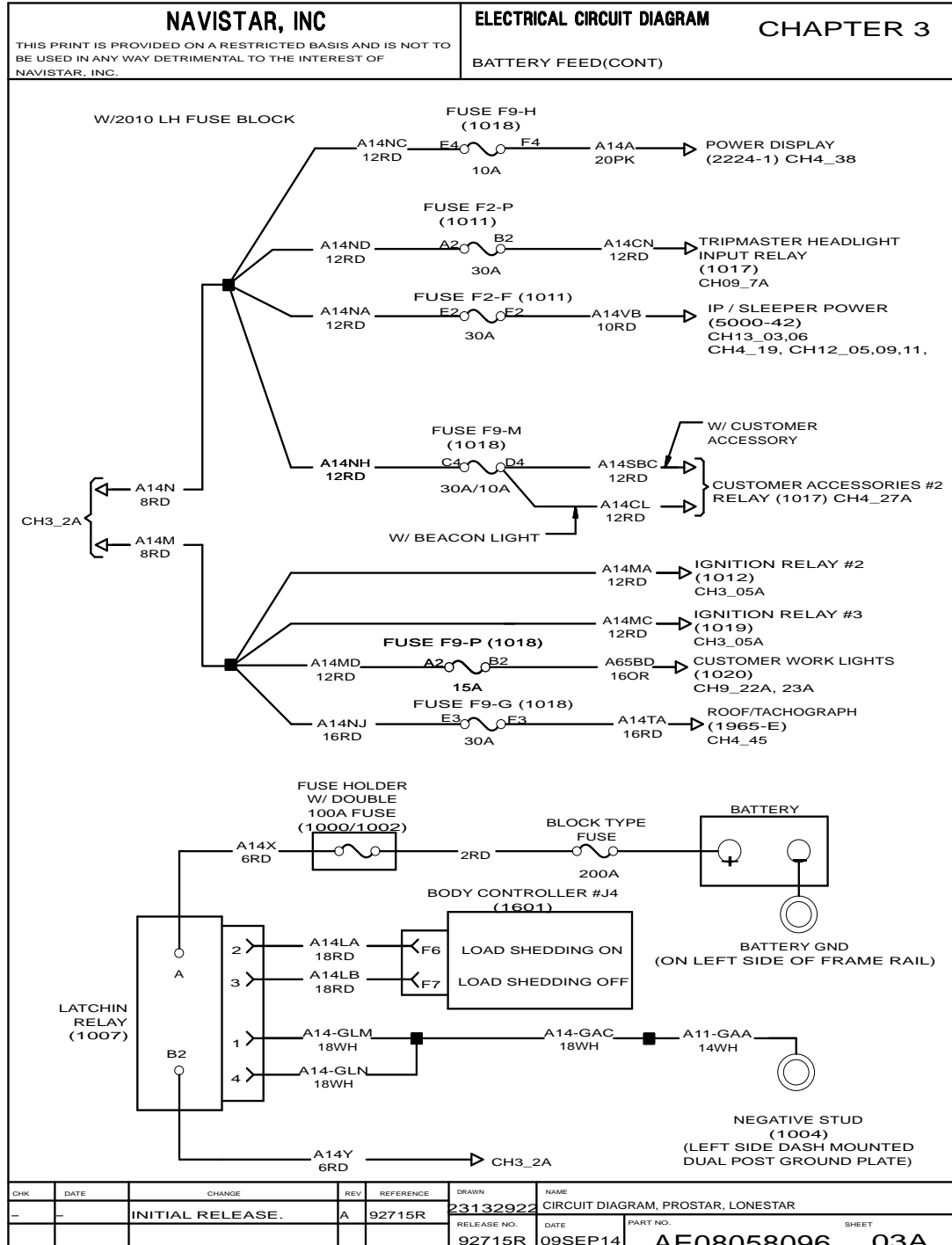


Figure 17 Battery Feed (Cont.)

CHK	DATE	CHANGE	REV	REFERENCE	DRAWN	NAME
-	-	INITIAL RELEASE.	A	92715R	23132922	CIRCUIT DIAGRAM, PROSTAR, LONESTAR
					RELEASE NO.	DATE
					92715R	09SEP14
					PART NO.	SHEET
					AE08058096	03A

3.6. BATTERY FEED (CONT.), P. 4

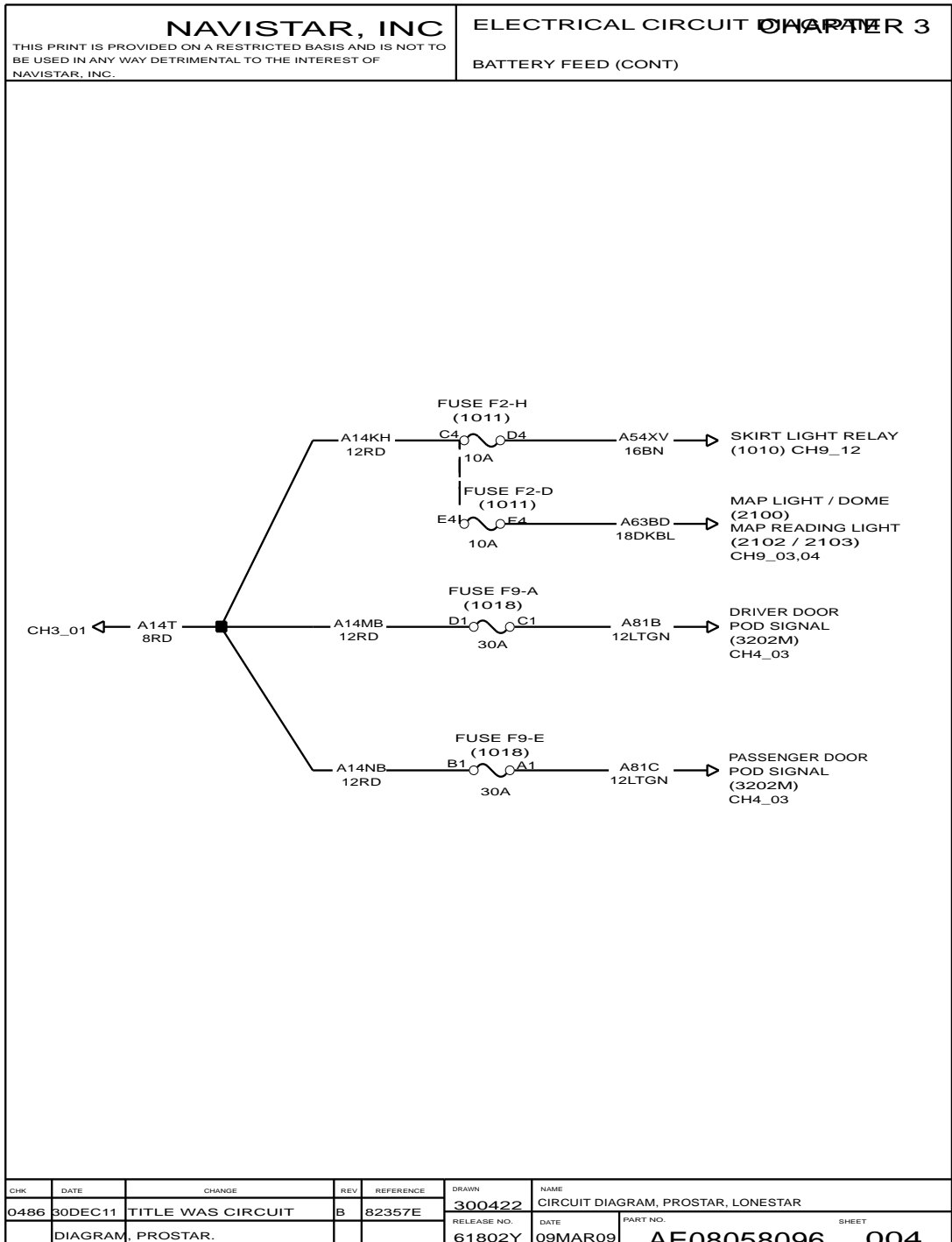


Figure 18 Battery Feed (Cont.)

3.7. BATTERY FEED (CONT.), P. 4A

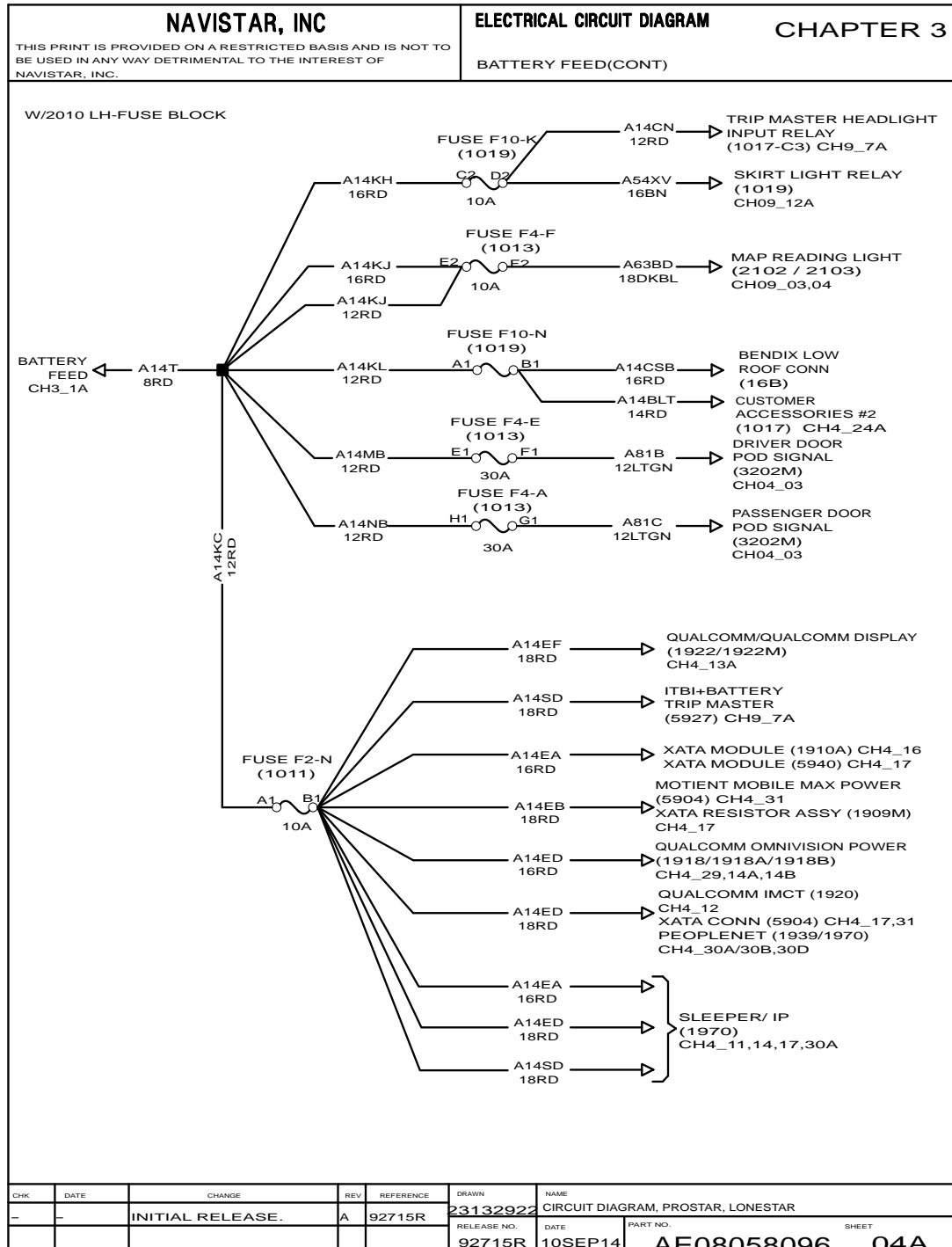


Figure 19 Battery Feed (Cont.)

3.8. IGNITION FEED – STANDARD REMOTE START / STOP, AUTO START / STOP, P. 5

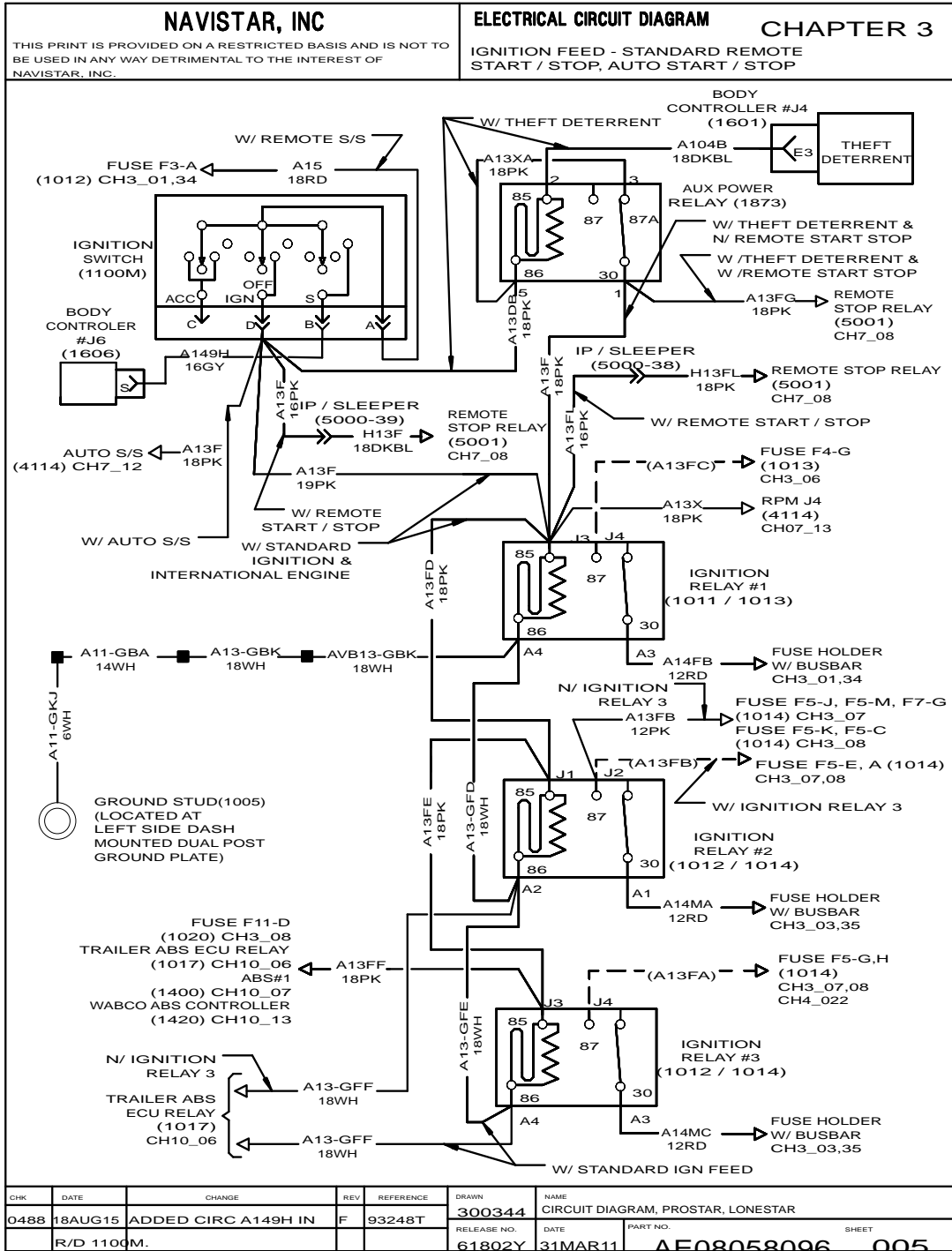


Figure 20 Ignition Feed – Standard Remote Start / Stop, Auto Start / Stop

3.9. IGNITION FEED – STANDARD REMOTE START / STOP, AUTO START / STOP, P. 5A

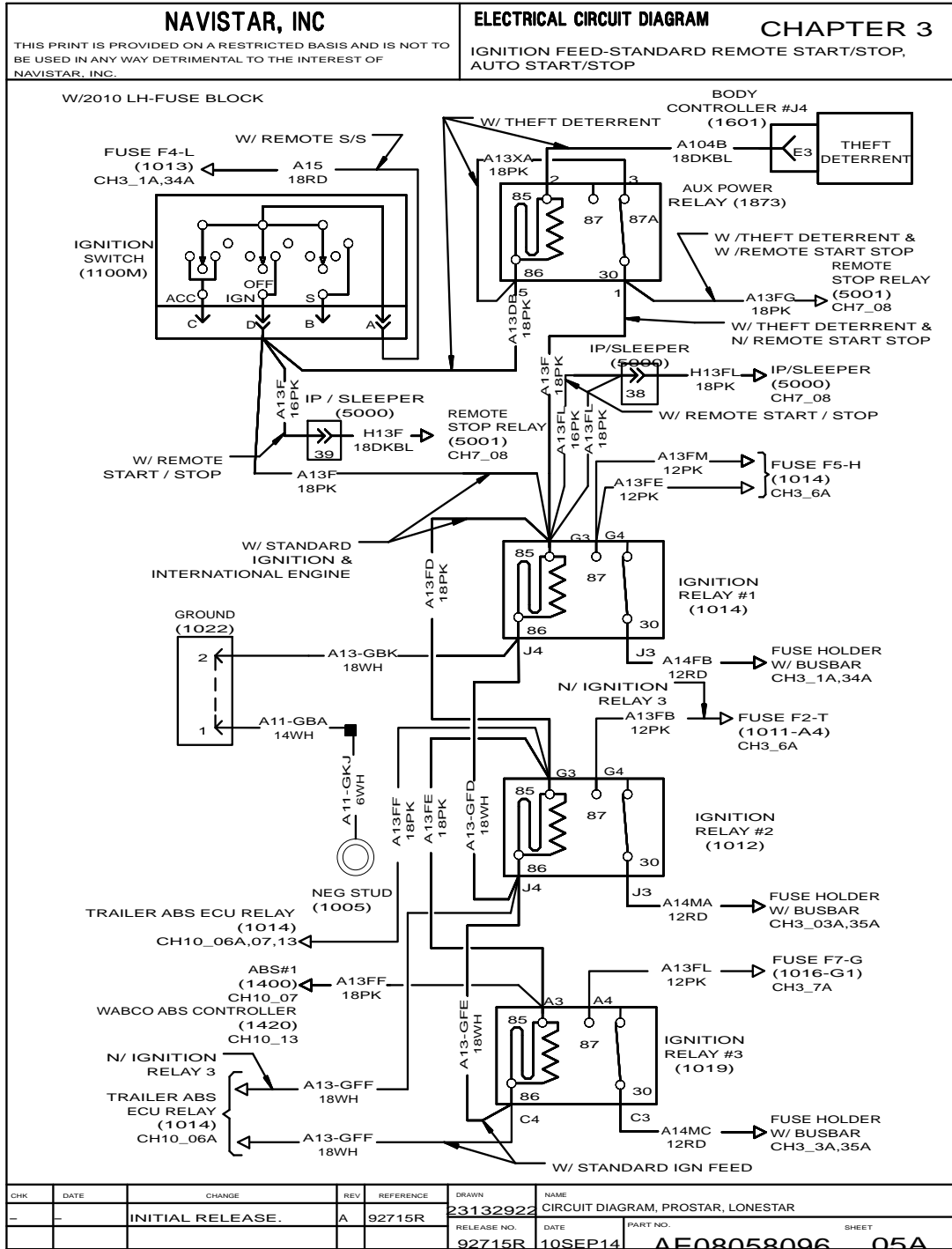


Figure 21 Ignition Feed – Standard Remote Start / Stop, Auto Start / Stop

3.10. IGNITION FEED – STANDARD, P. 6

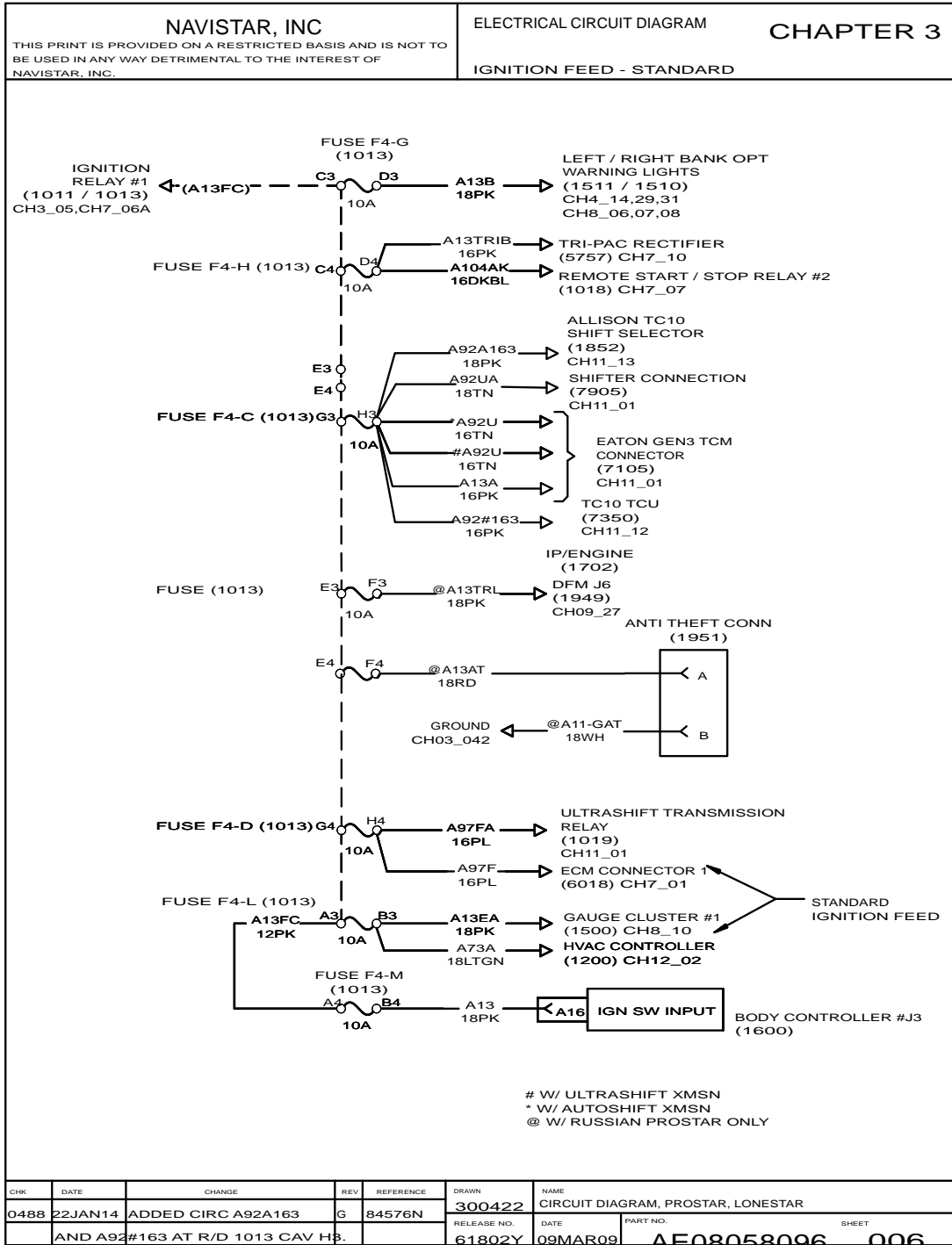


Figure 22 Ignition Feed – Standard

3.11. IGNITION FEED – STANDARD (CONT.), P. 6A

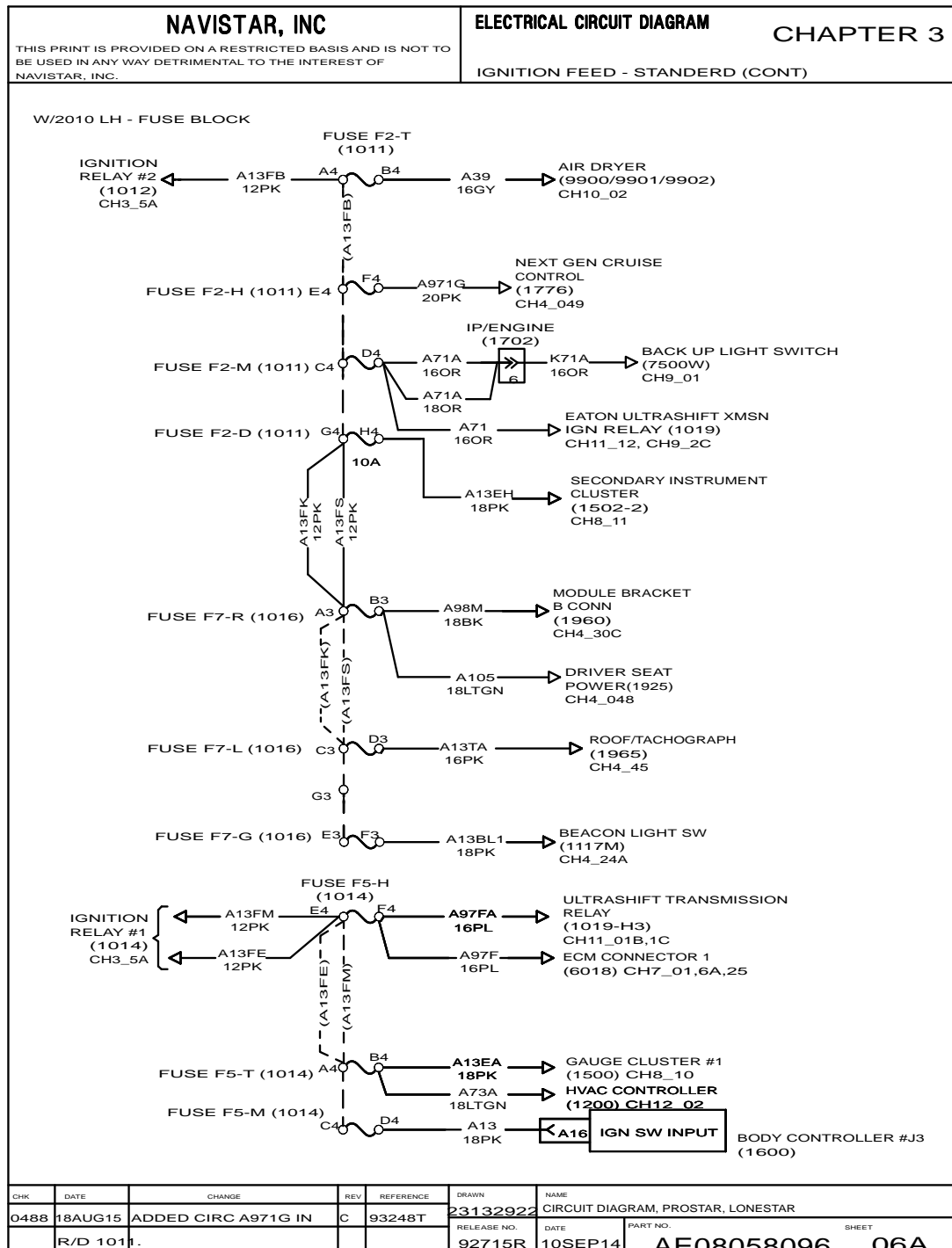


Figure 23 Ignition Feed – Standard (Cont.)

3.12. IGNITION FEED – STANDARD (CONT.), P. 7

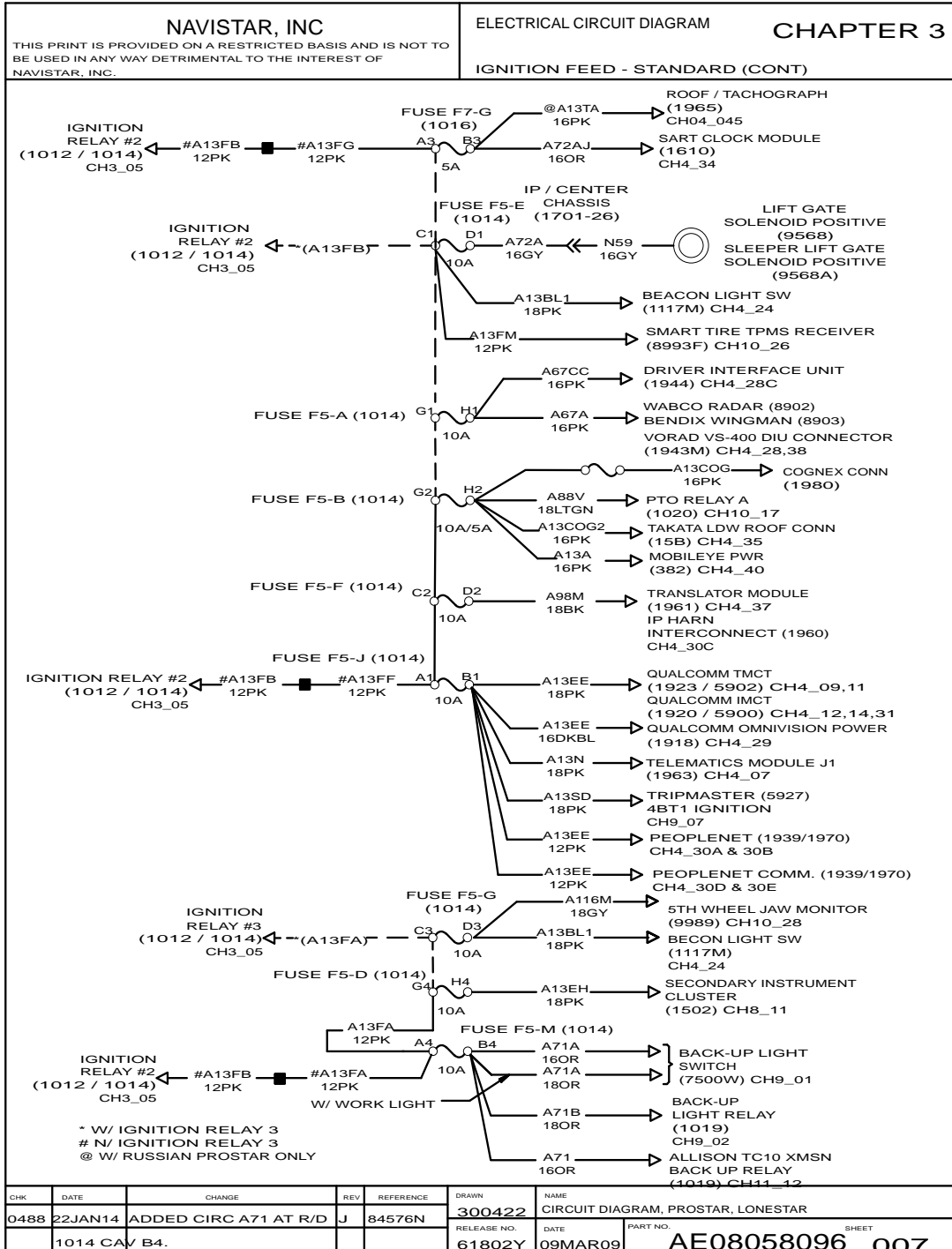


Figure 24 Ignition Feed – Standard (Cont.)



3.13. IGNITION FEED – STANDARD (CONT.), P. 7A

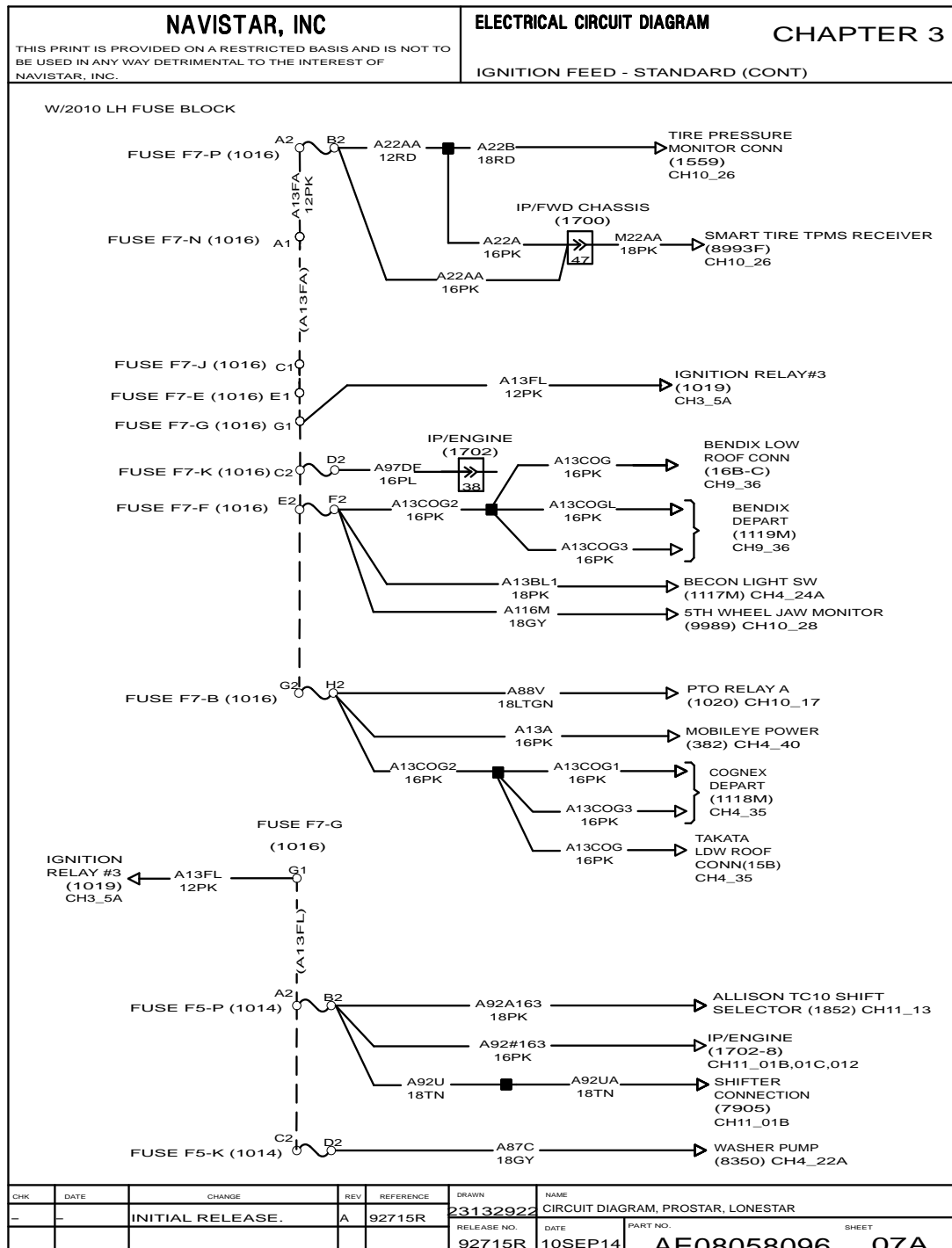


Figure 25 Ignition Feed – Standard (Cont.)

3.14. IGNITION FEED – STANDARD (CONT.), P. 8

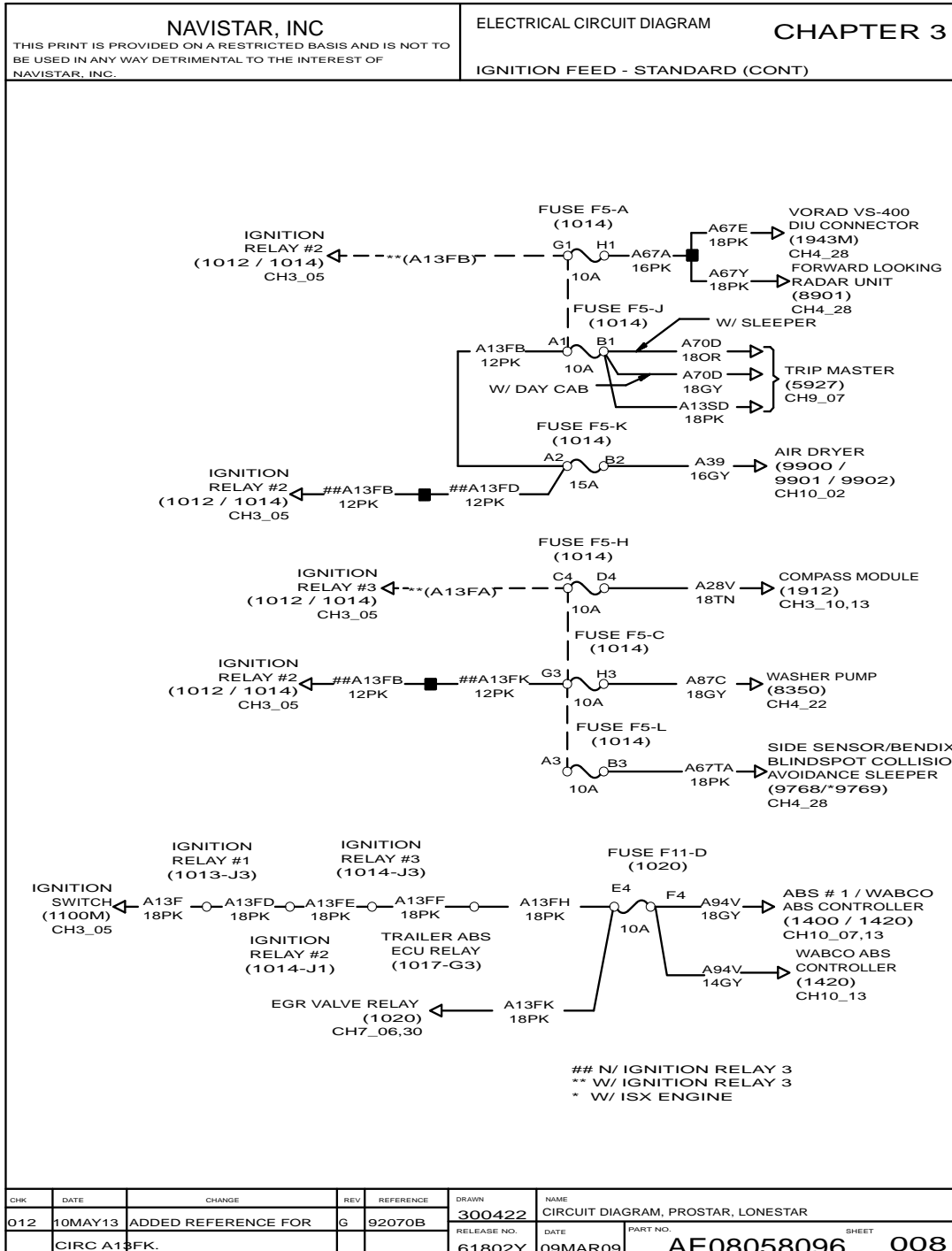


Figure 26 Ignition Feed – Standard (Cont.)

3.15. IGNITION FEED – STANDARD (CONT.), P. 8A

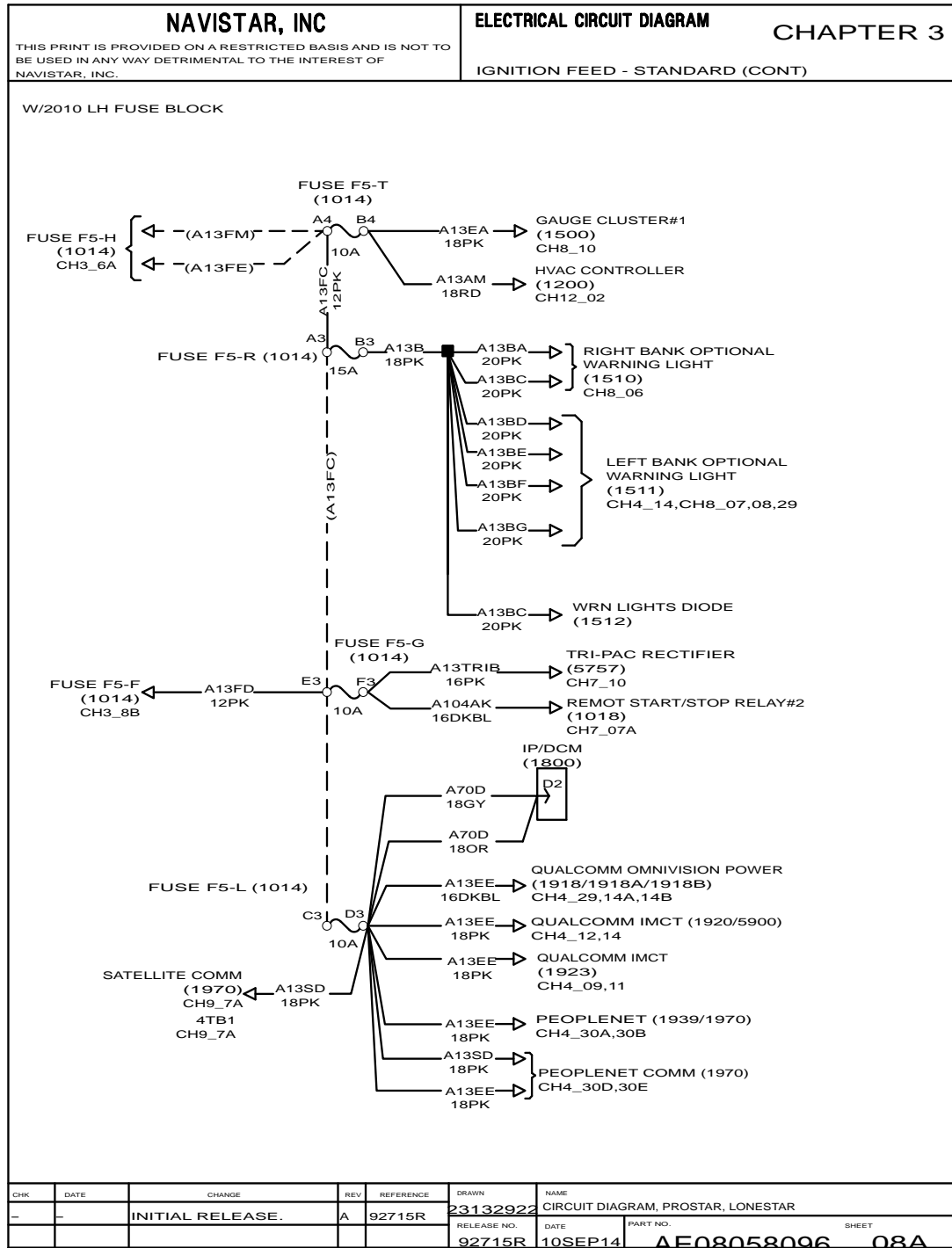


Figure 27 Ignition Feed – Standard (Cont.)

3.16. IGNITION FEED – STANDARD (CONT.), P. 8B

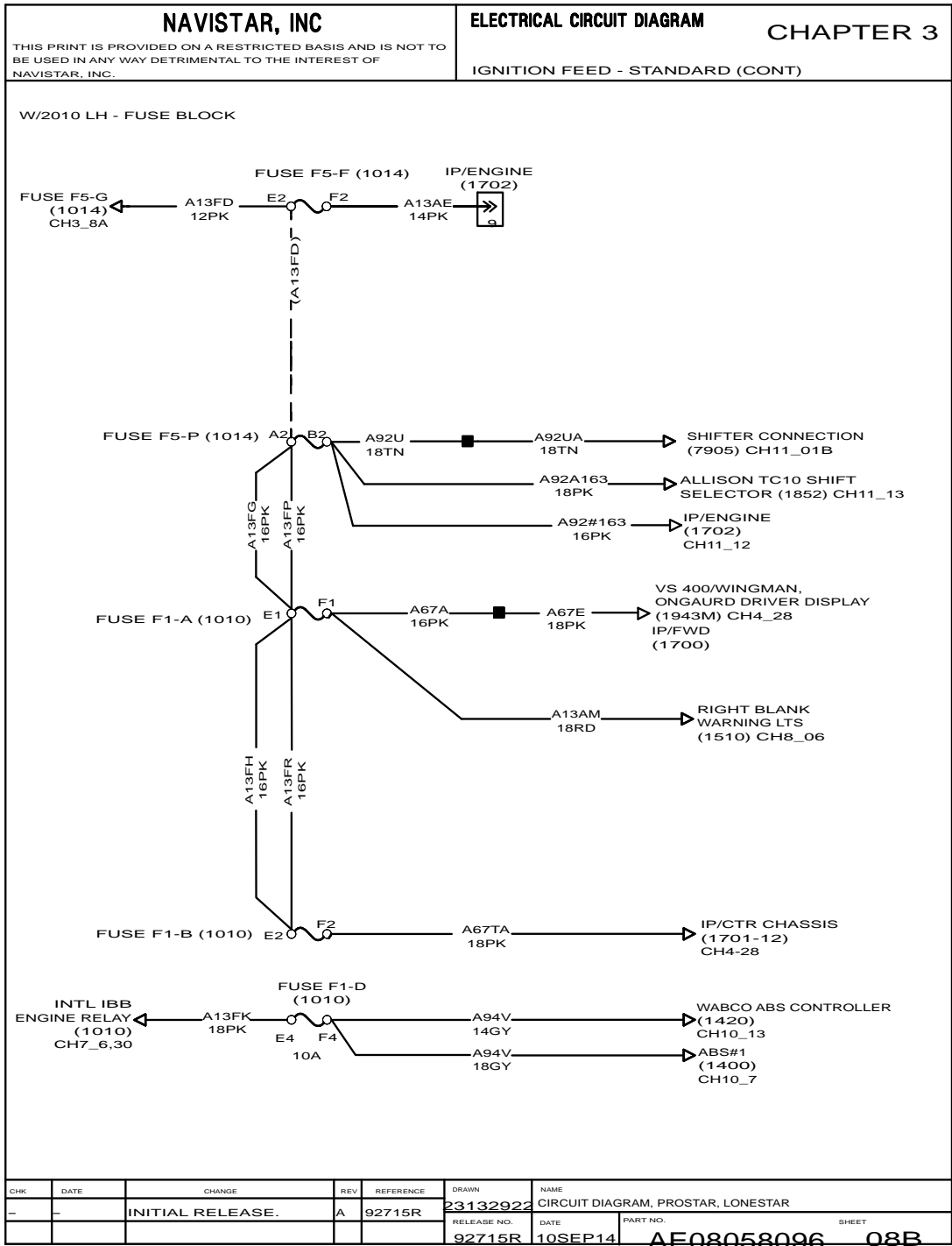


Figure 28 Ignition Feed – Standard (Cont.)

3.17. ACCESSORY FEED, P. 9

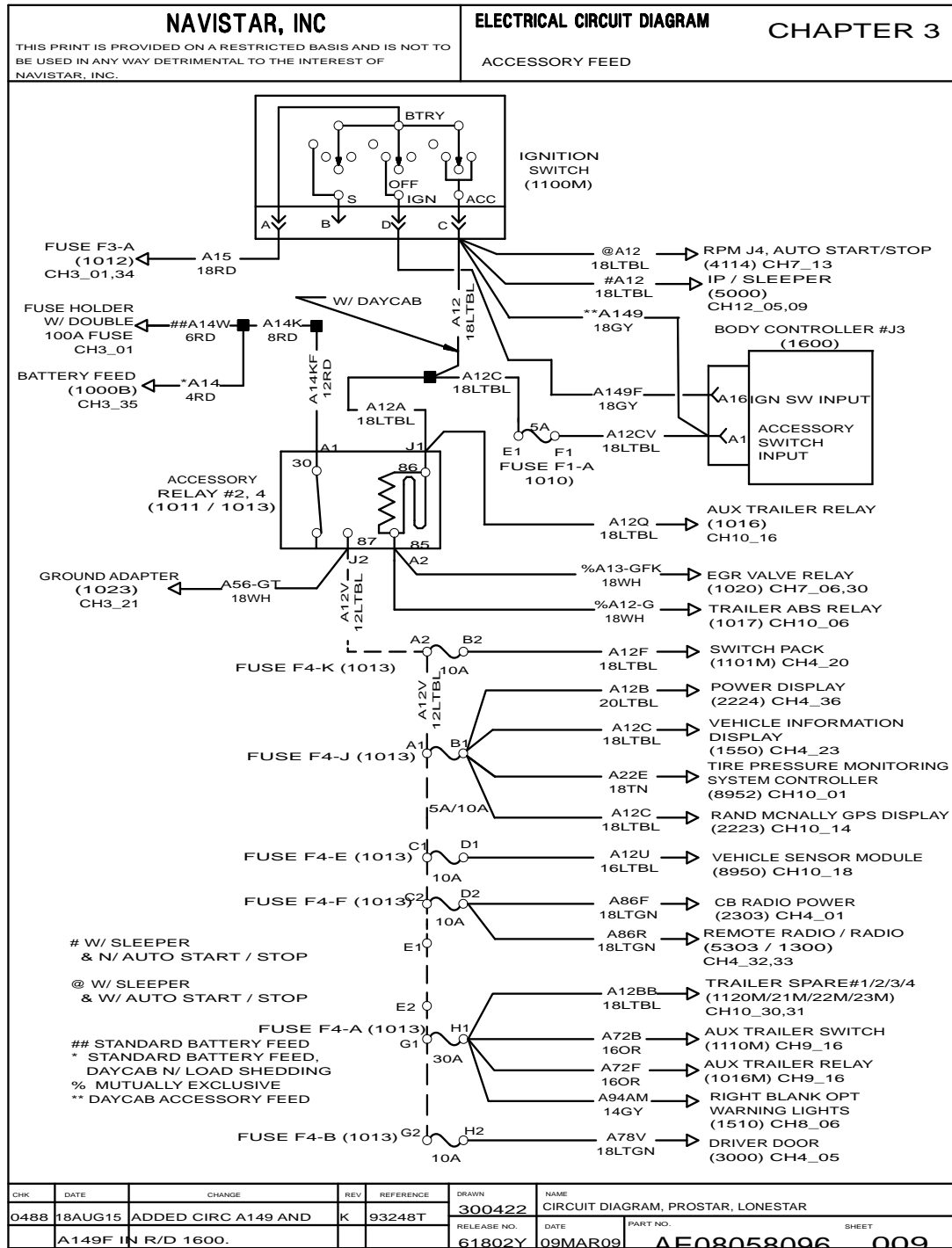


Figure 29 Accessory Feed

3.18. ACCESSORY FEED (CONT.), P. 9A

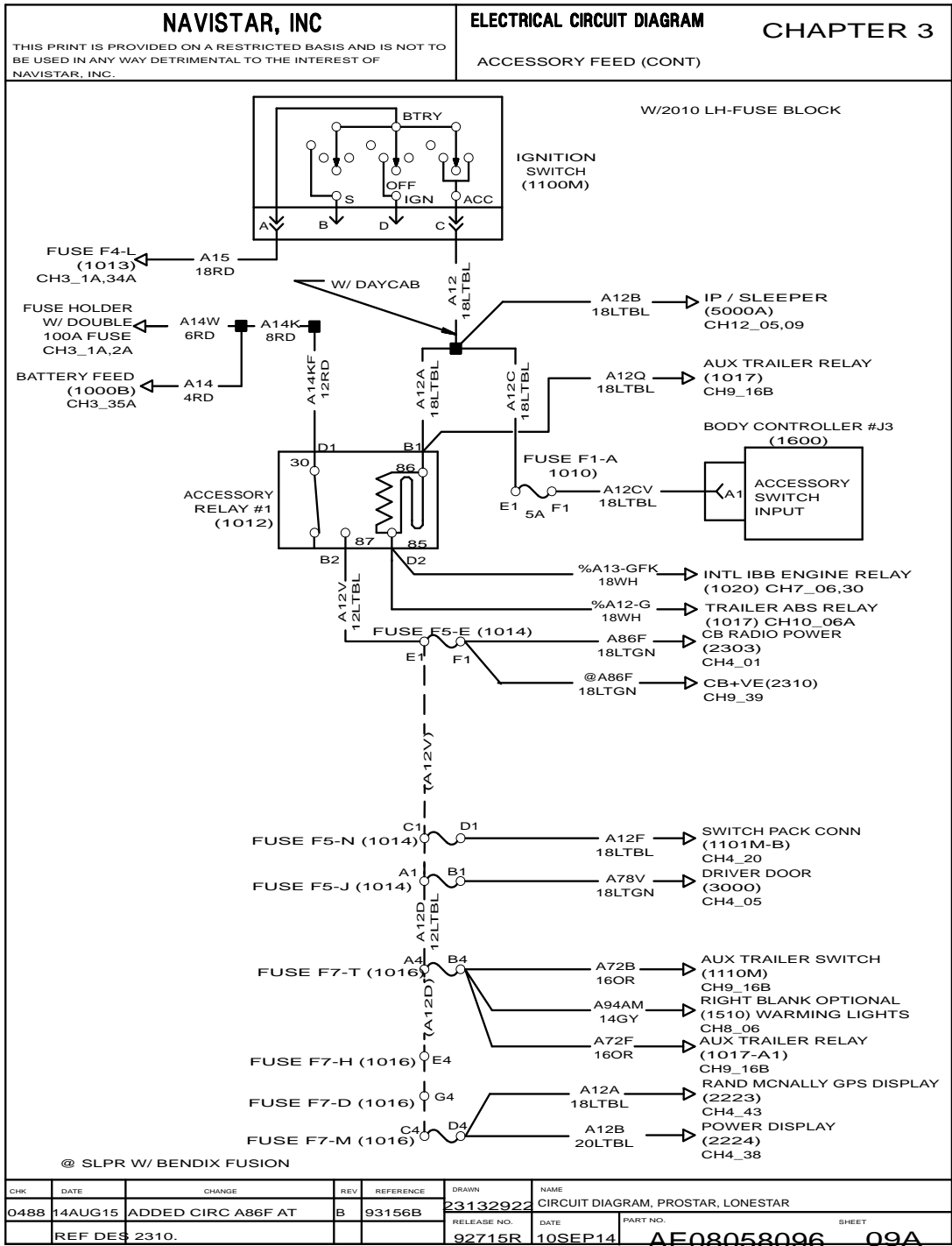


Figure 30 Accessory Feed (Cont.)

3.19. CAB J1939 – COMPASS AND ANTILOCK BRAKING SYSTEM EFFECTS, P. 10

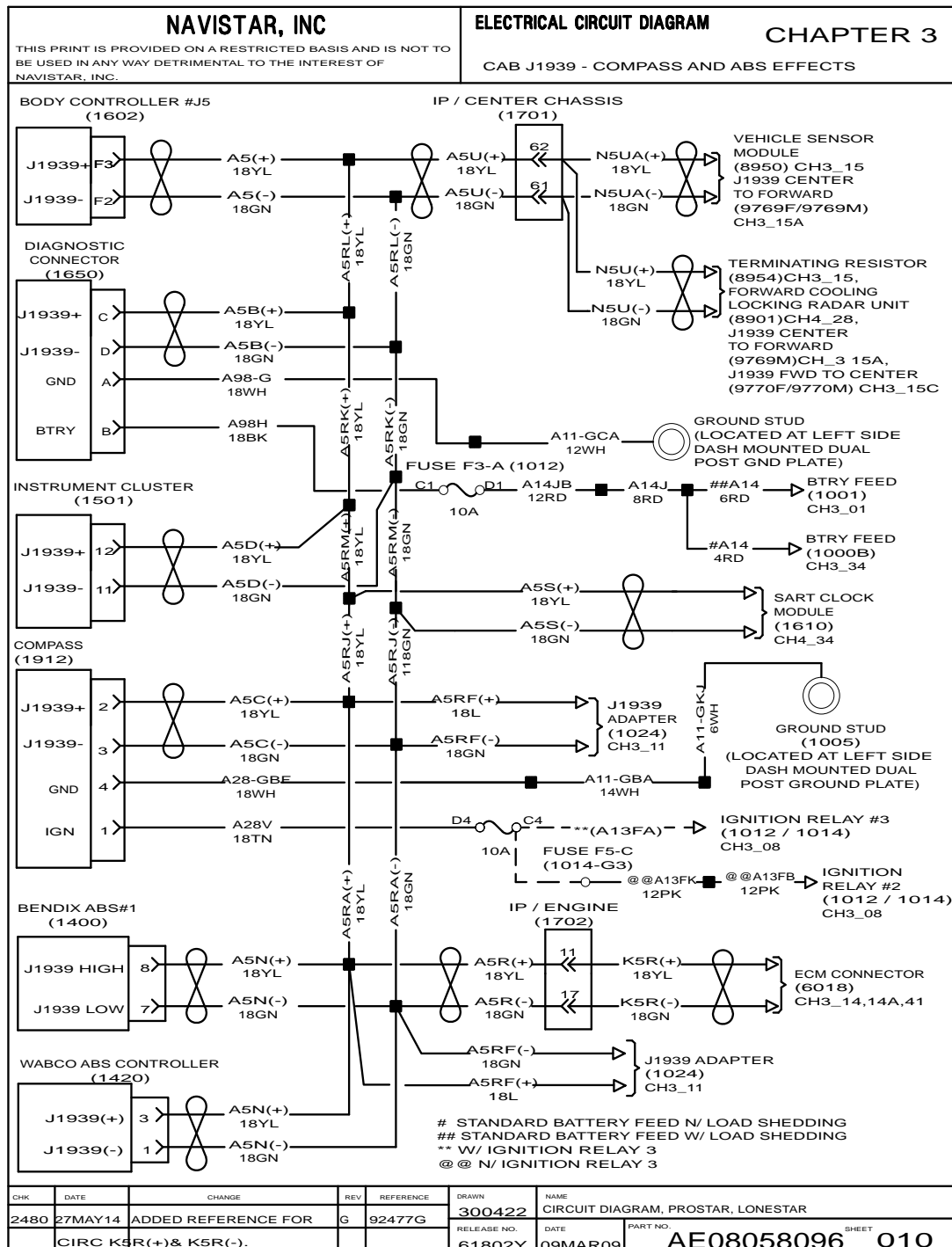


Figure 31 Cab J1939 – Compass and Antilock Braking System Effects

3.20. CAB J1939 WITH ALL OPTIONS, P. 11

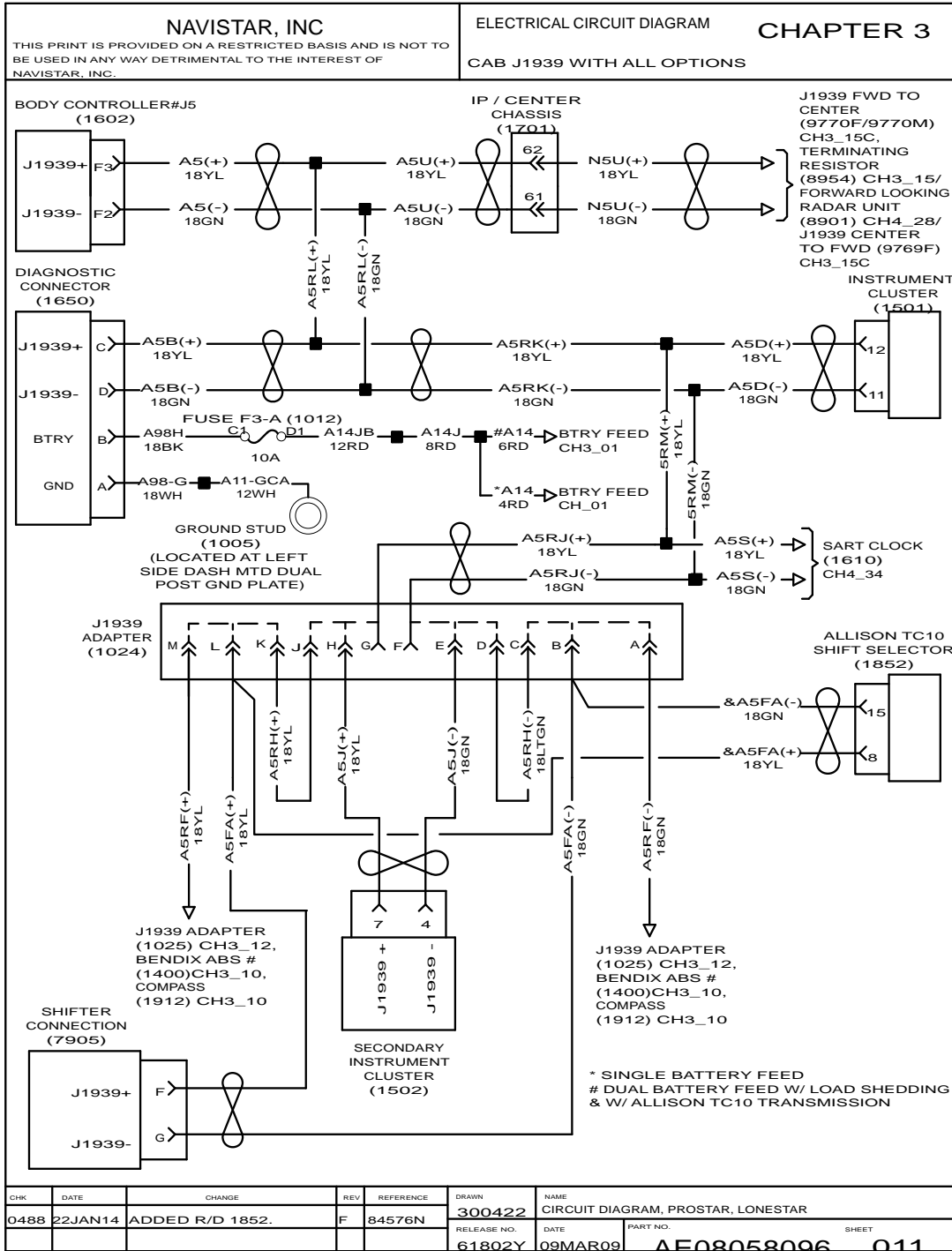


Figure 32 Cab J1939 with All Options



3.21. CAB J1939 WITH ALL OPTIONS (CONT.), P. 12

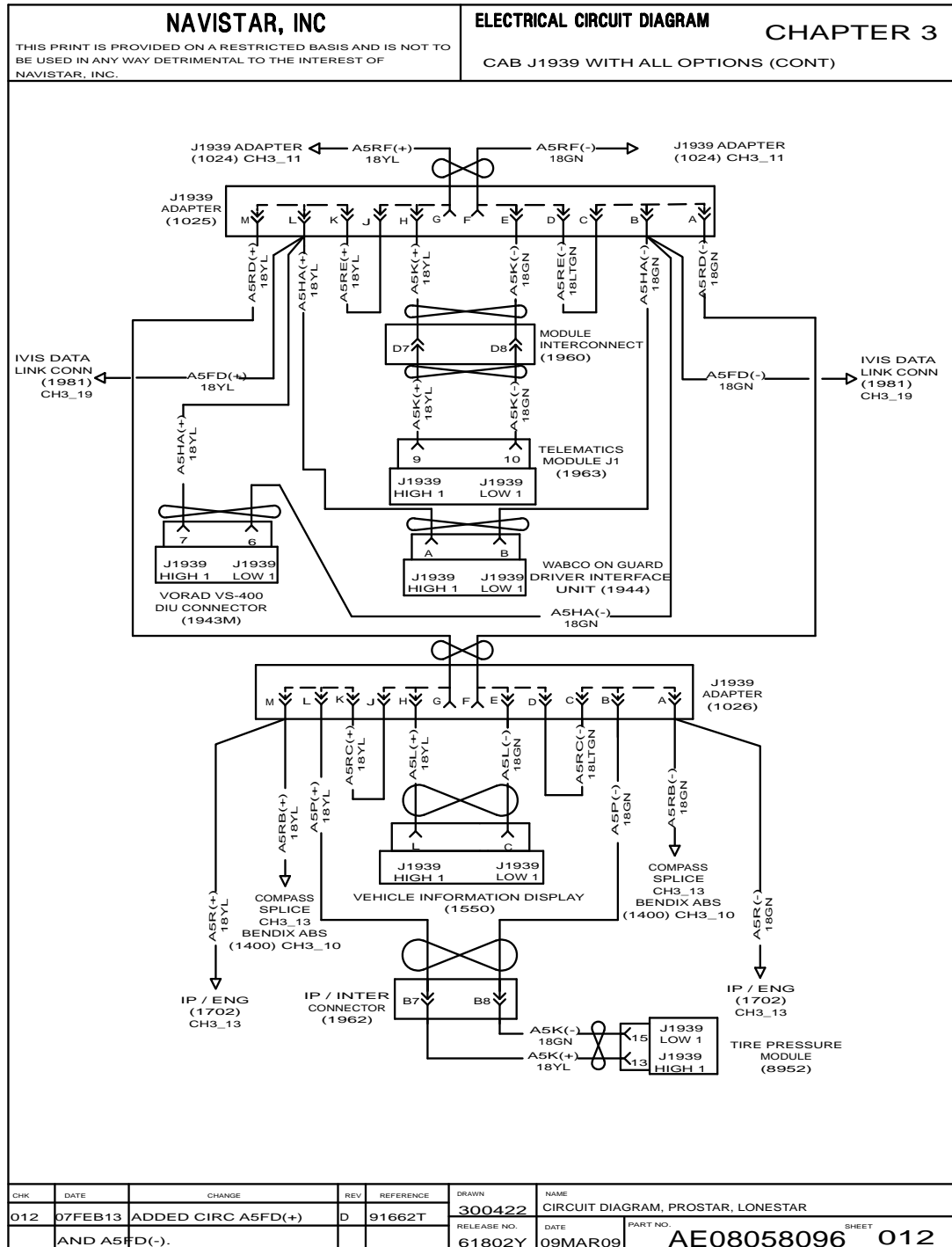


Figure 33 Cab J1939 with All Options (Cont.)

3.22. CAB J1939 WITH ALL OPTIONS (CONT.), P. 13

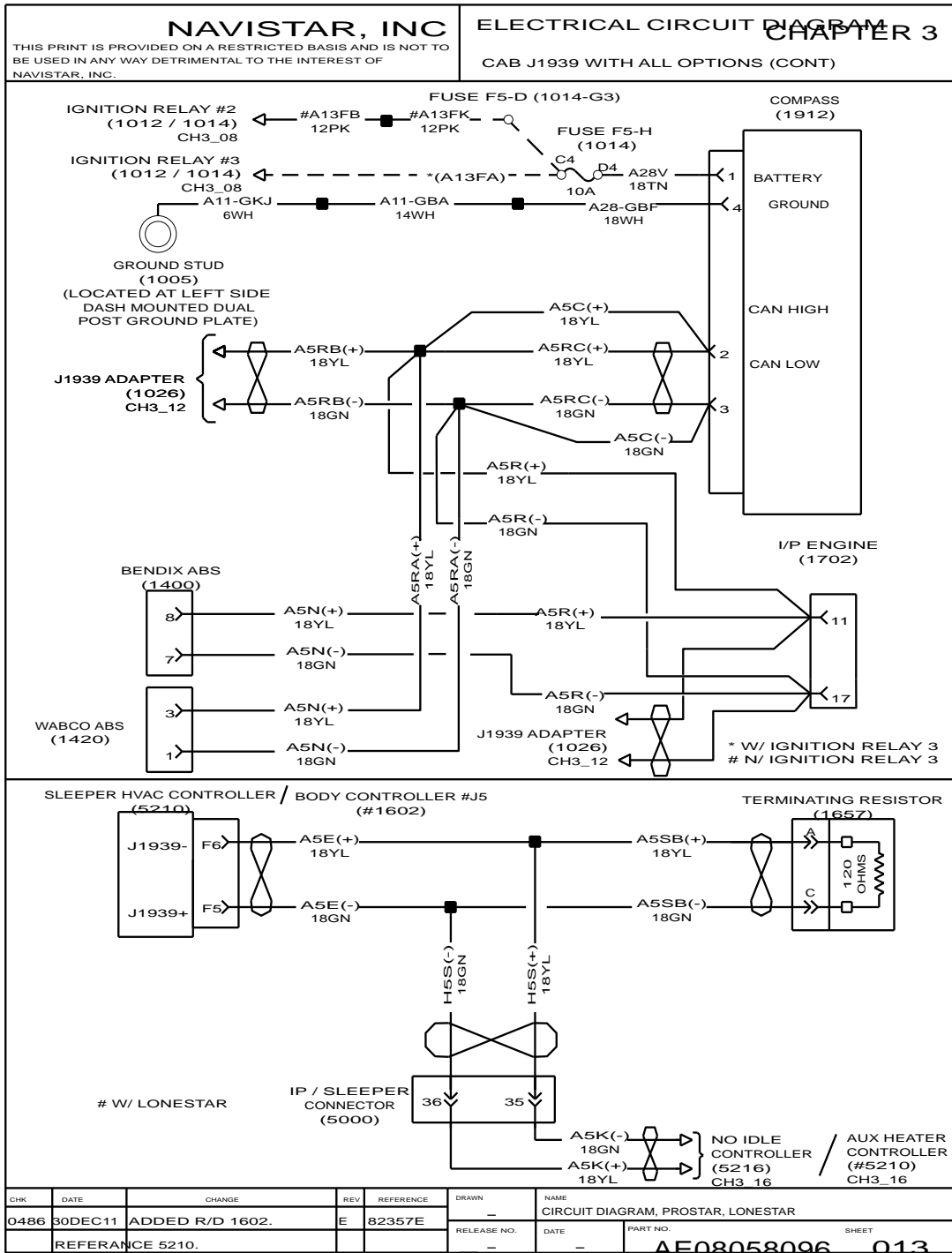


Figure 34 Cab J1939 with All Options (Cont.)

3.23. CAB J1939 WITH ALL OPTIONS (CONT.), P. 13A

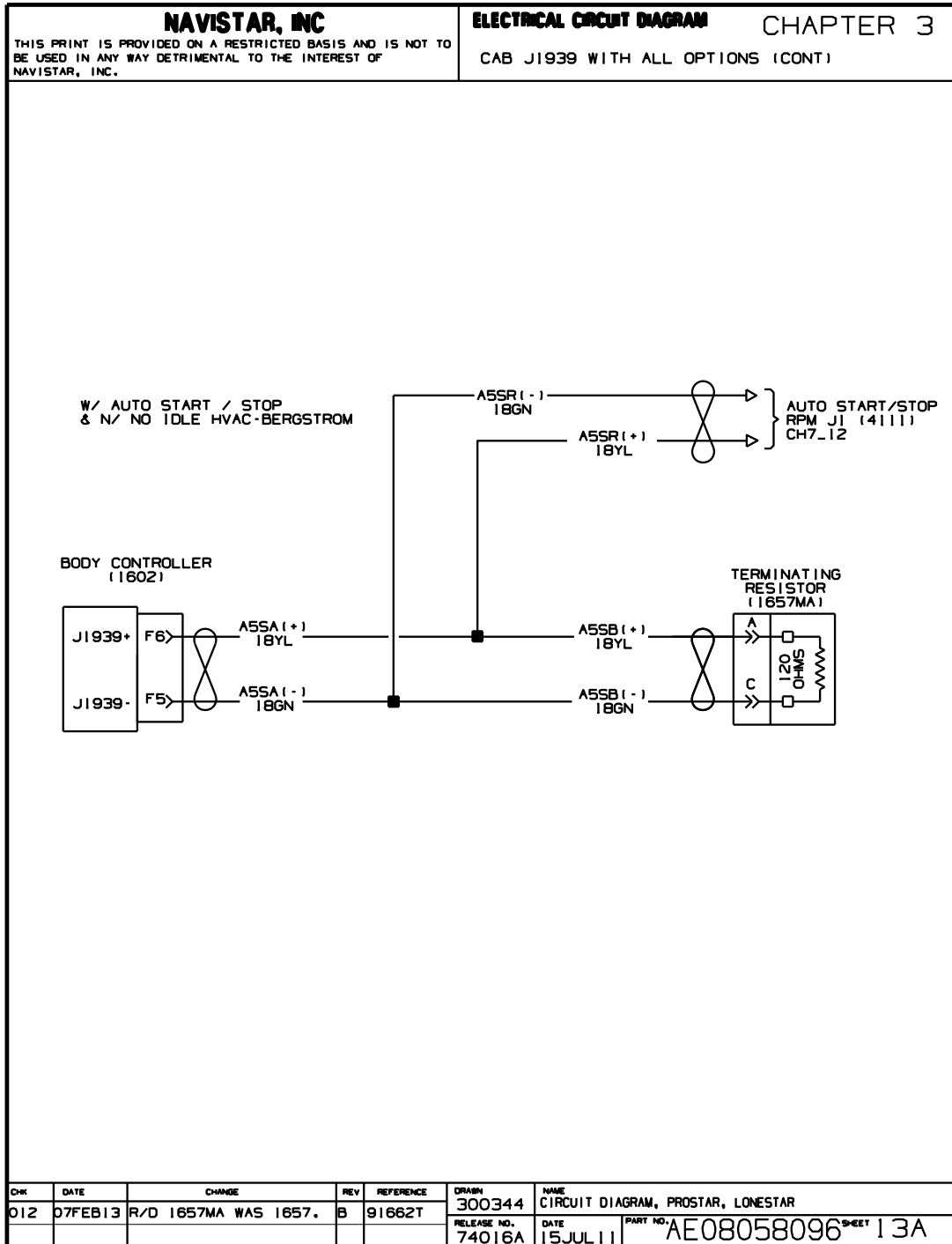


Figure 35 Cab J1939 with All Options (Cont.)

3.24. CAB J1939 ENGINE WITH ALL OPTIONS (CONT.), P. 13B

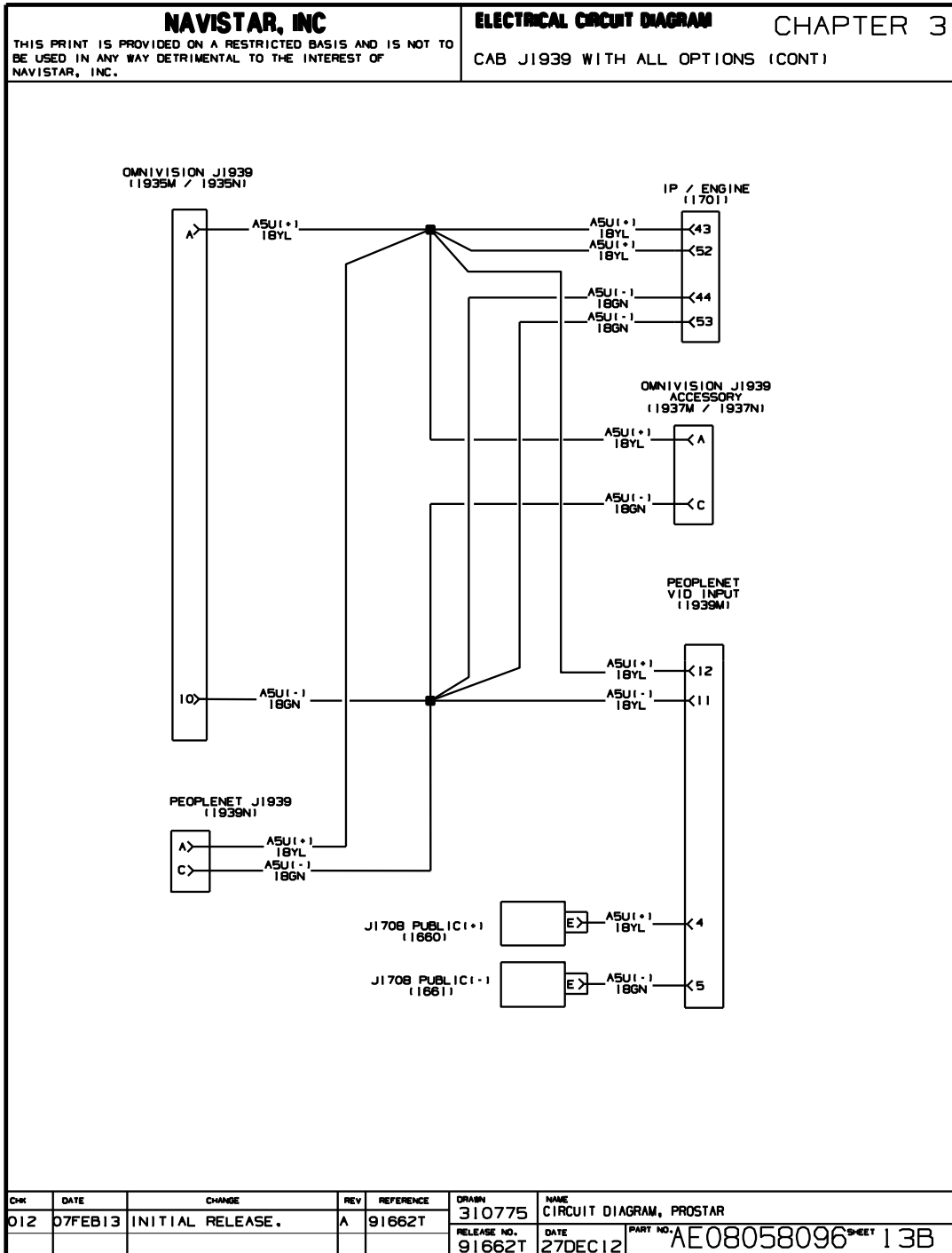


Figure 36 Cab J1939 Engine with All Options (Cont.)

3.25. CAB J1939 ENGINE, P. 14

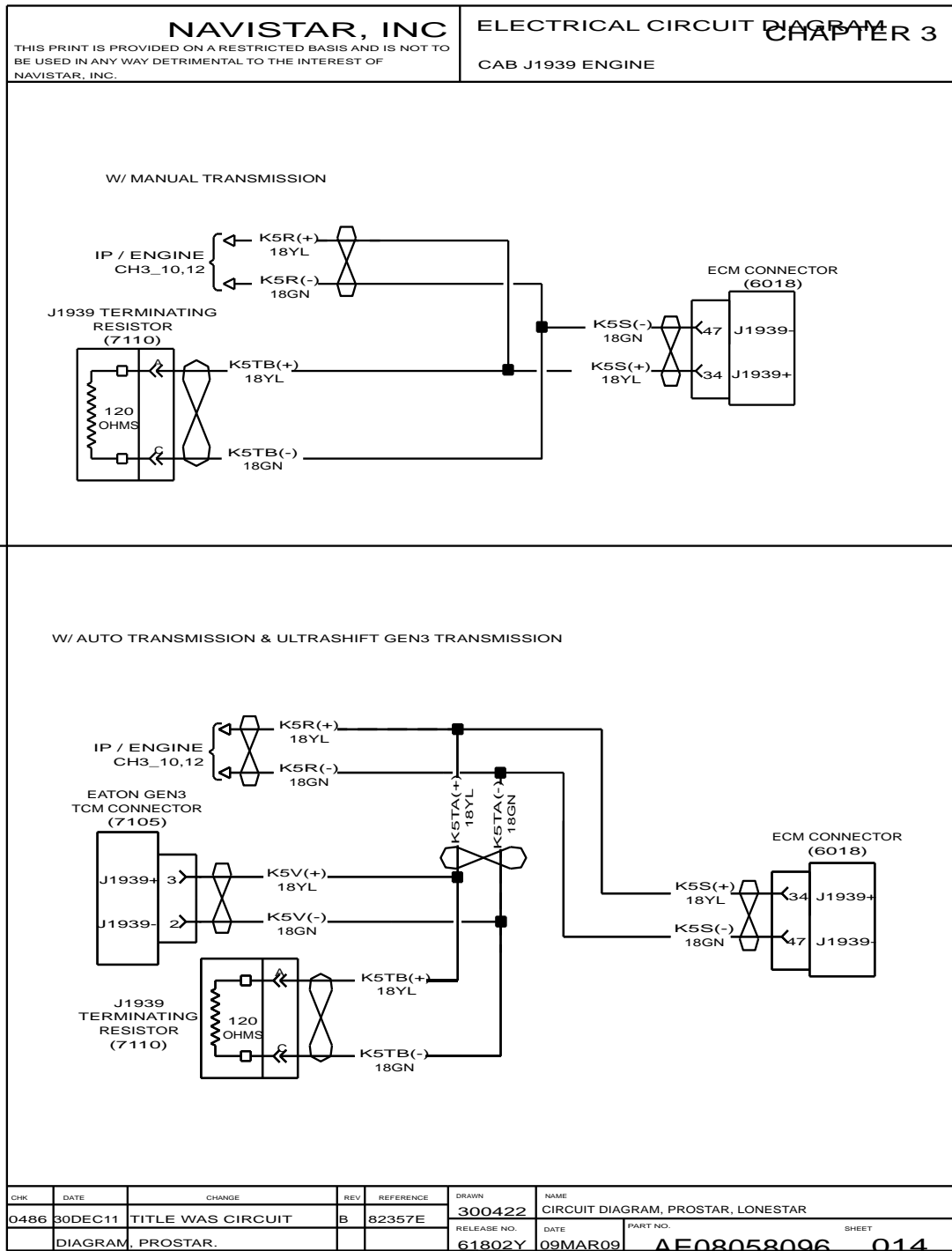


Figure 37 Cab J1939 Engine

3.26. CAB J1939 ENGINE – ISX, P. 14A

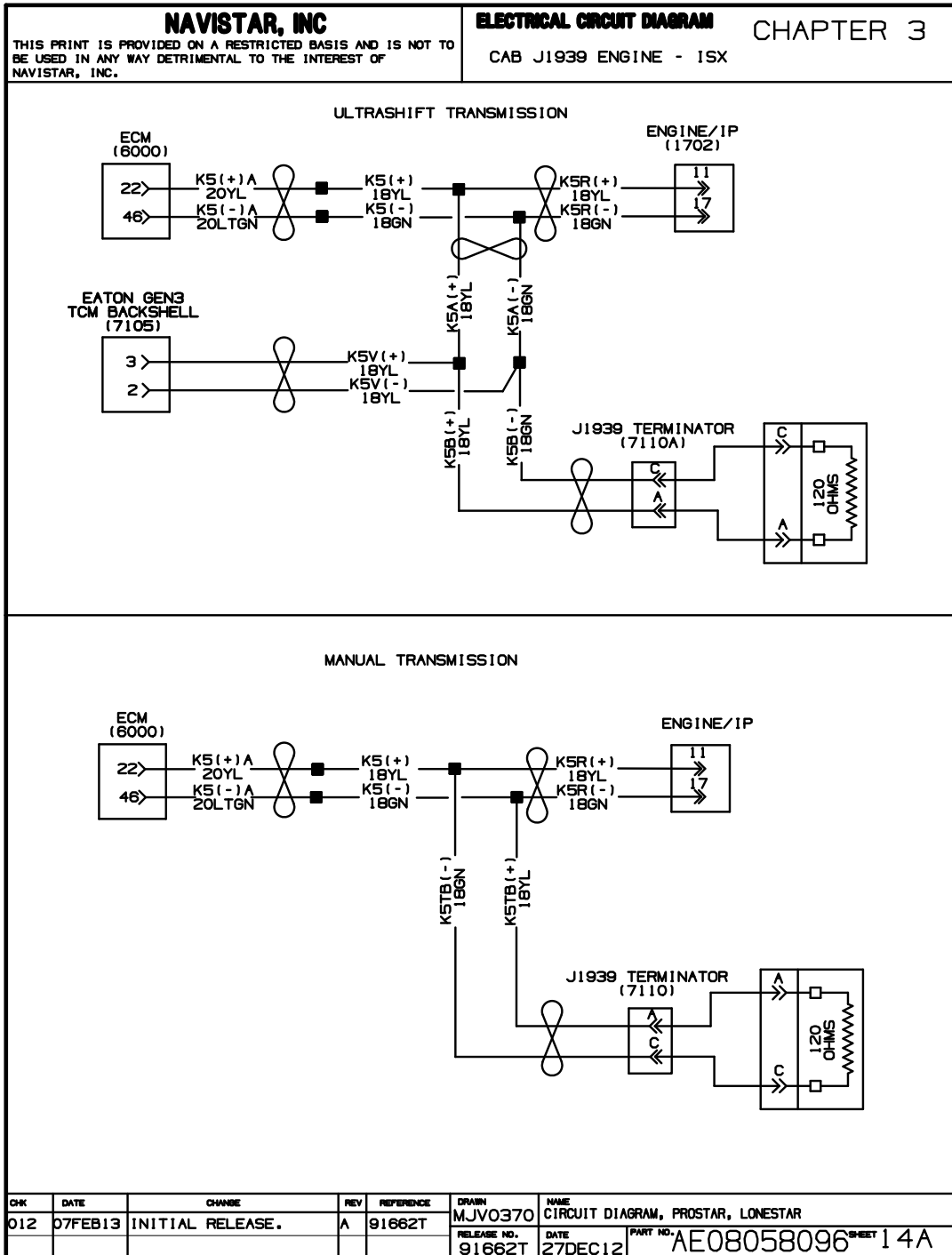


Figure 38 Cab J1939 Engine – ISX

3.27. J1939 CHASSIS, P. 15

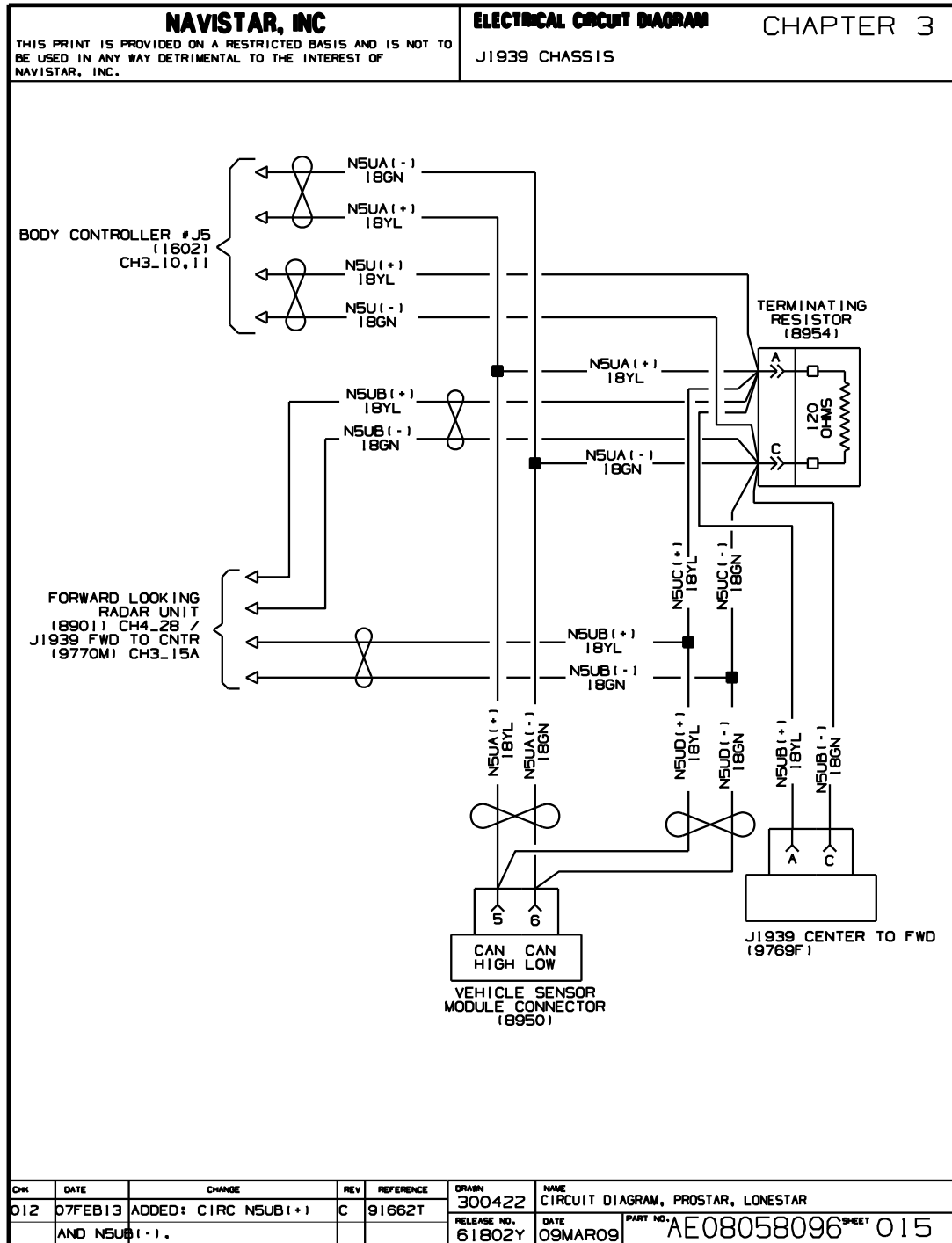


Figure 39 J1939 Chassis

3.28. J1939 CHASSIS (CONT.), P. 15A

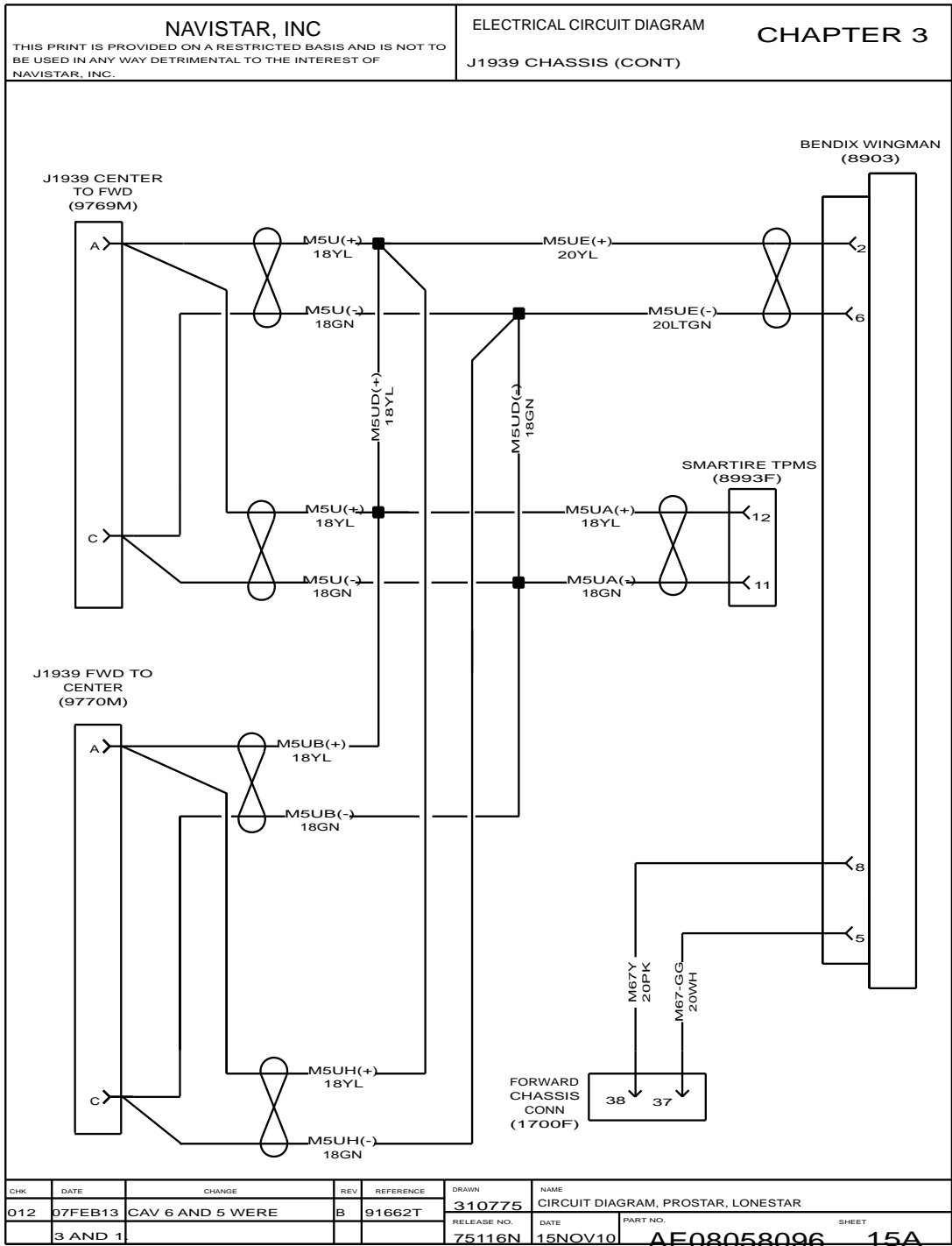


Figure 40 J1939 Chassis (Cont.)



3.29. J1939 CHASSIS (CONT.), P. 15B

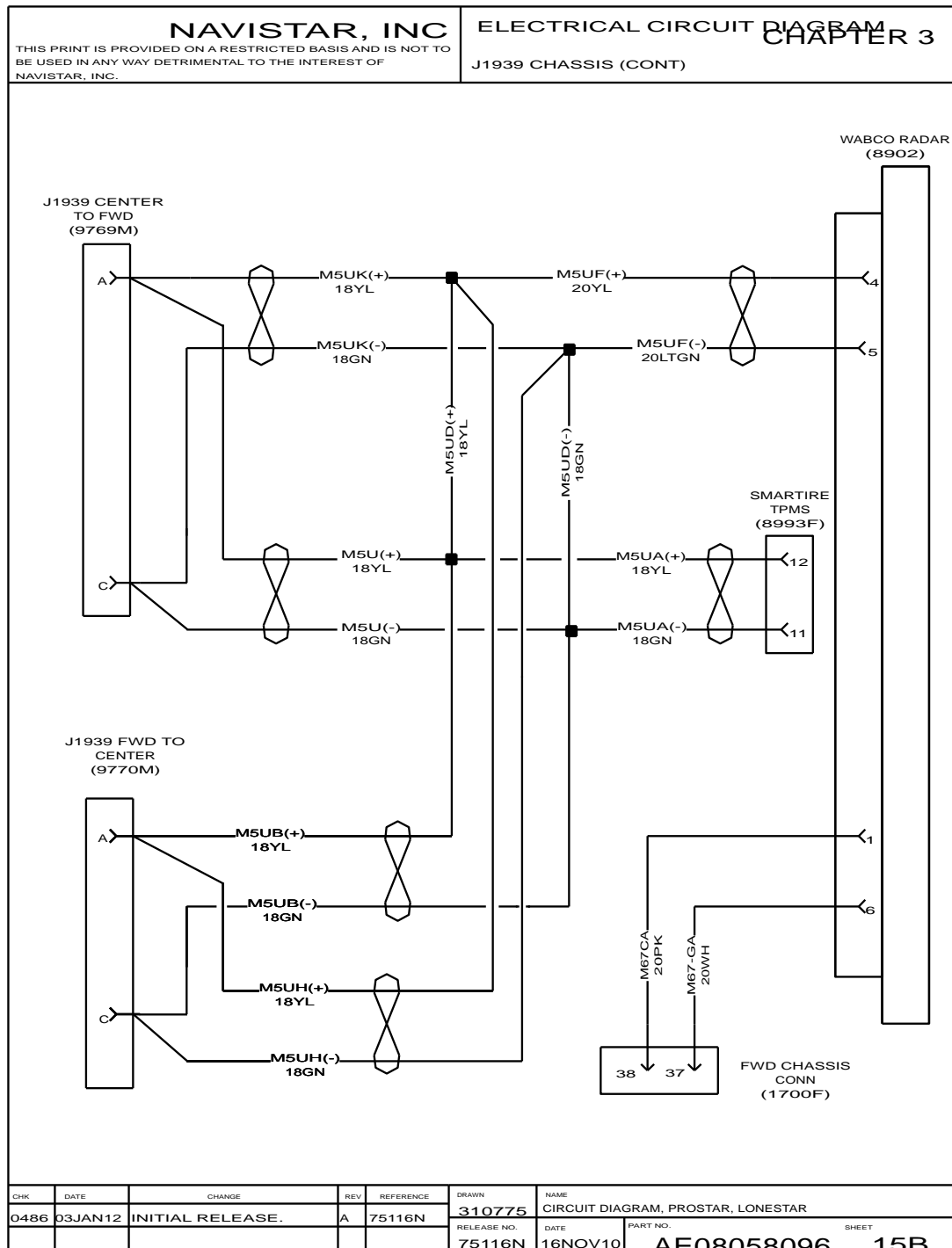


Figure 41 J1939 Chassis (Cont.)

3.30. J1939 CHASSIS (CONT.), P. 15C

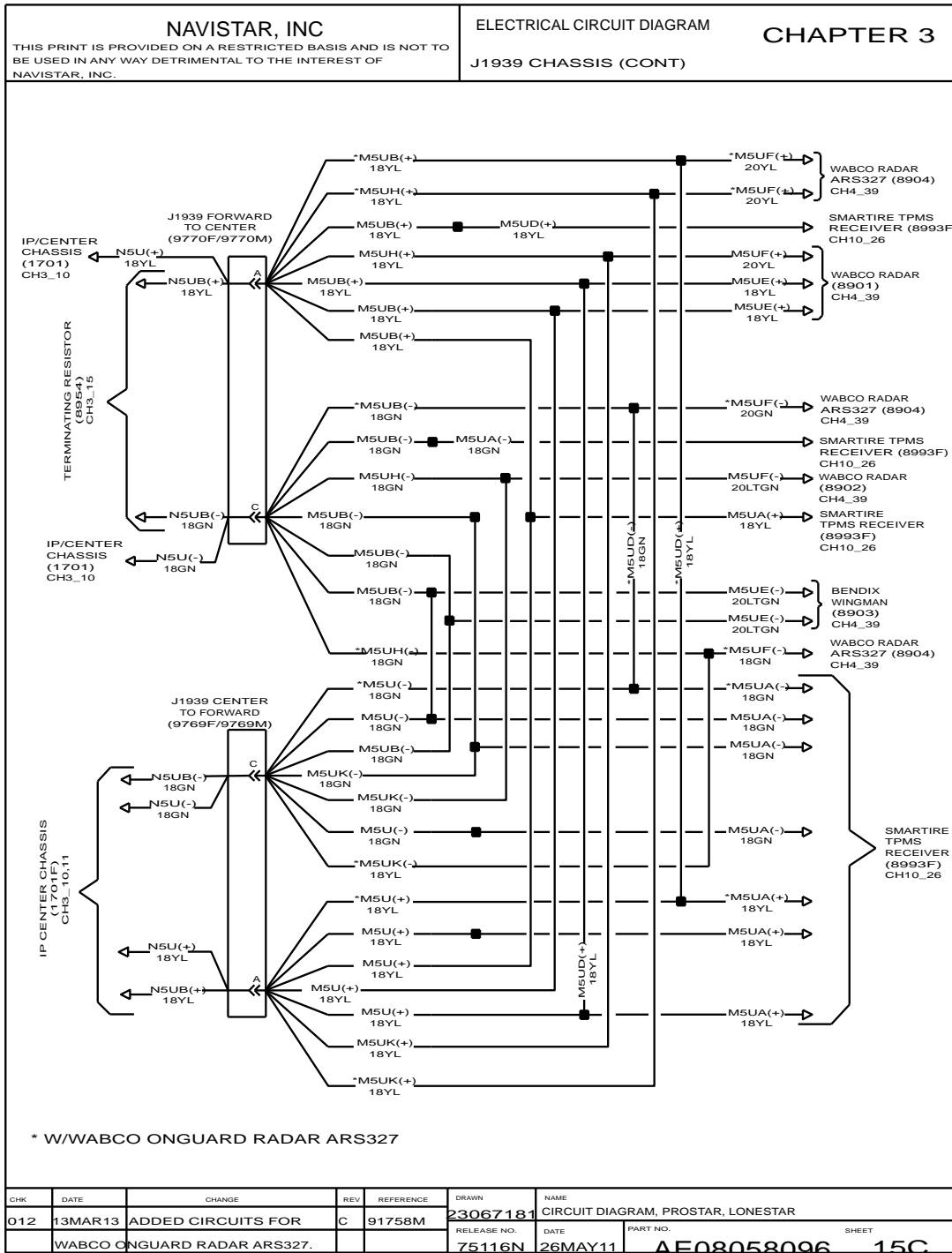


Figure 42 J1939 Chassis (Cont.)

3.31. J1939 CHASSIS (CONT.), P. 15D

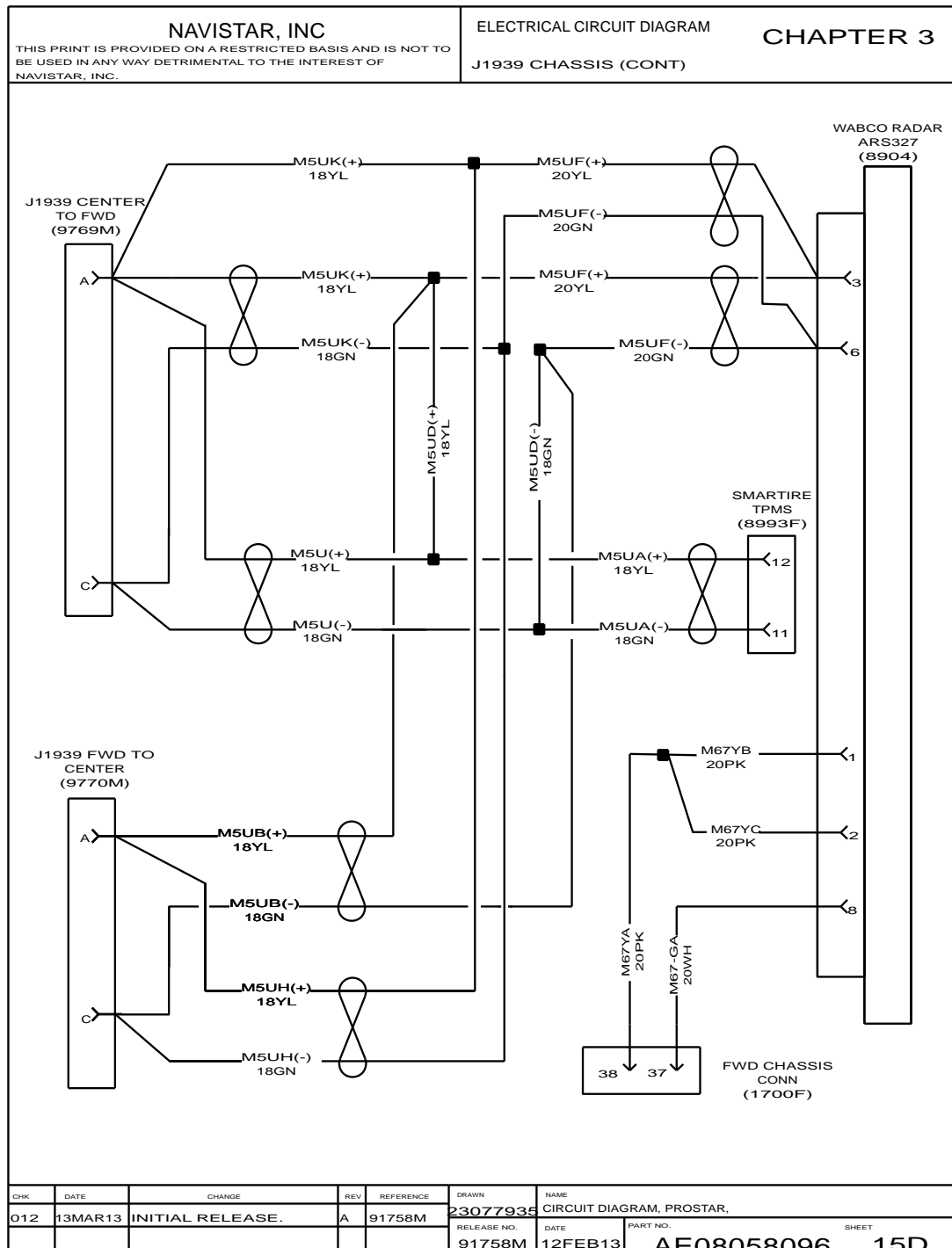


Figure 43 J1939 Chassis (Cont.)

3.32. J1939 WITH SLEEPER, P. 16

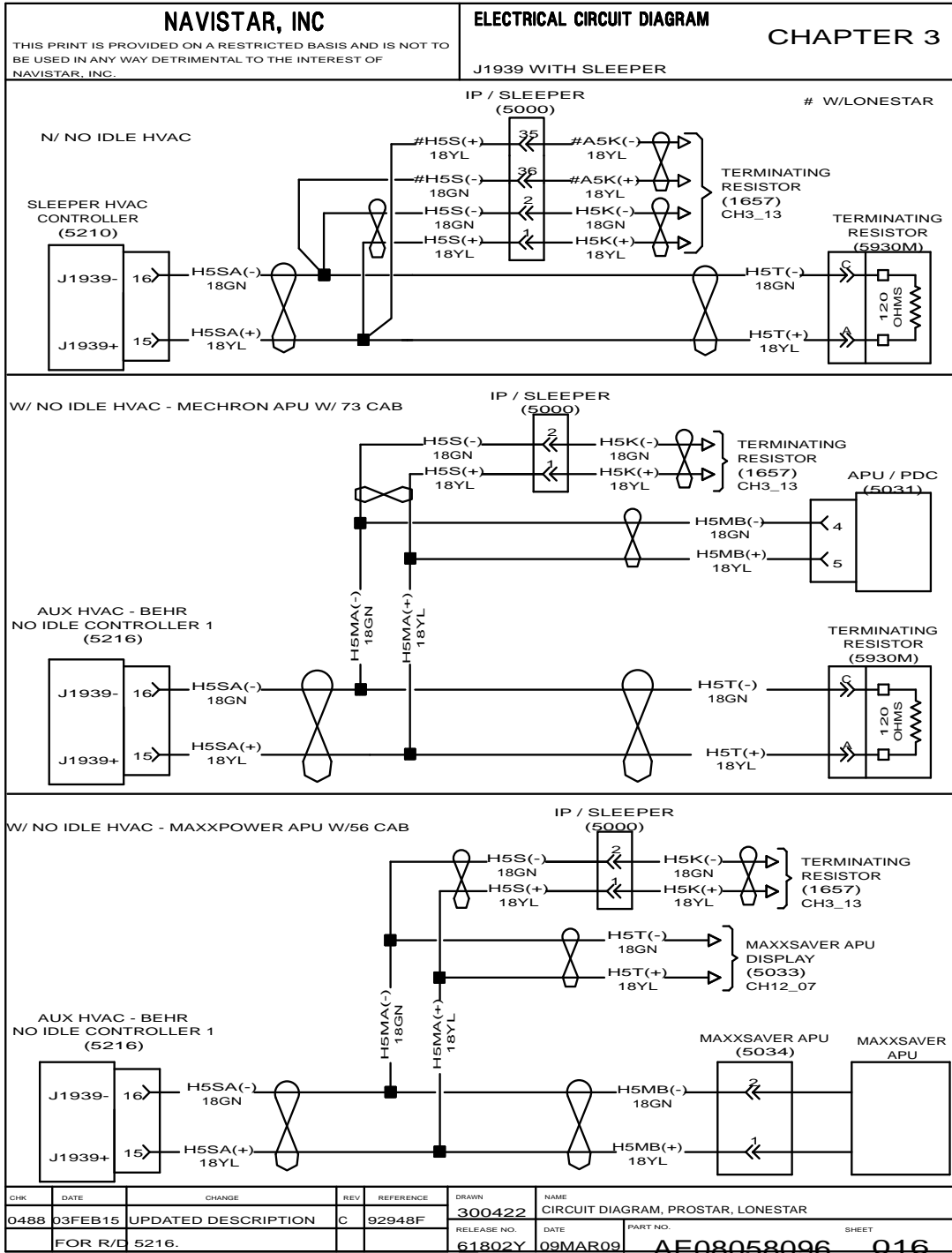


Figure 44 J1939 with Sleeper

3.33. J1939 WITH SLEEPER (CONT.), P. 16A

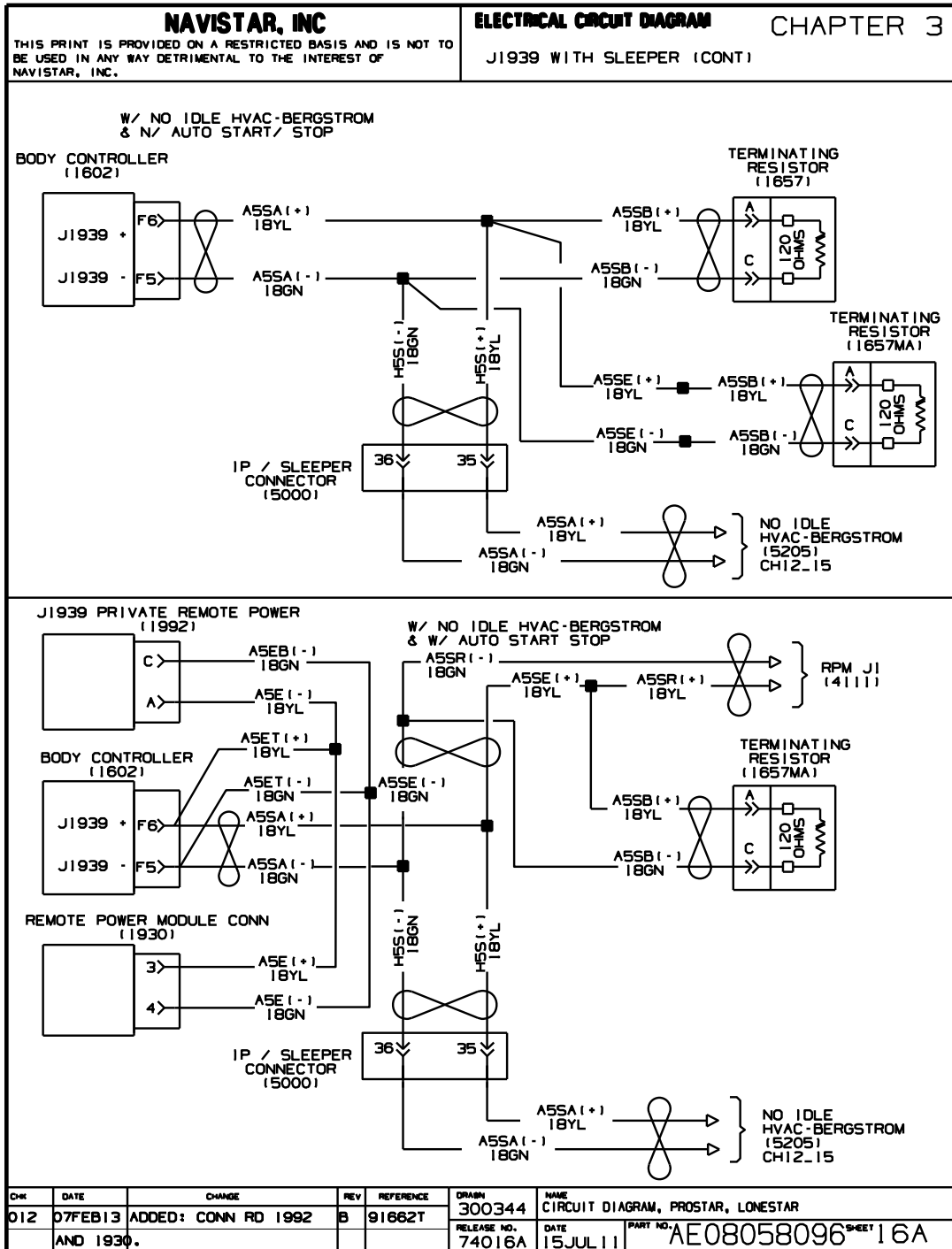


Figure 45 J1939 with Sleeper (Cont.)

3.34. J1708 PRIVATE, P. 17

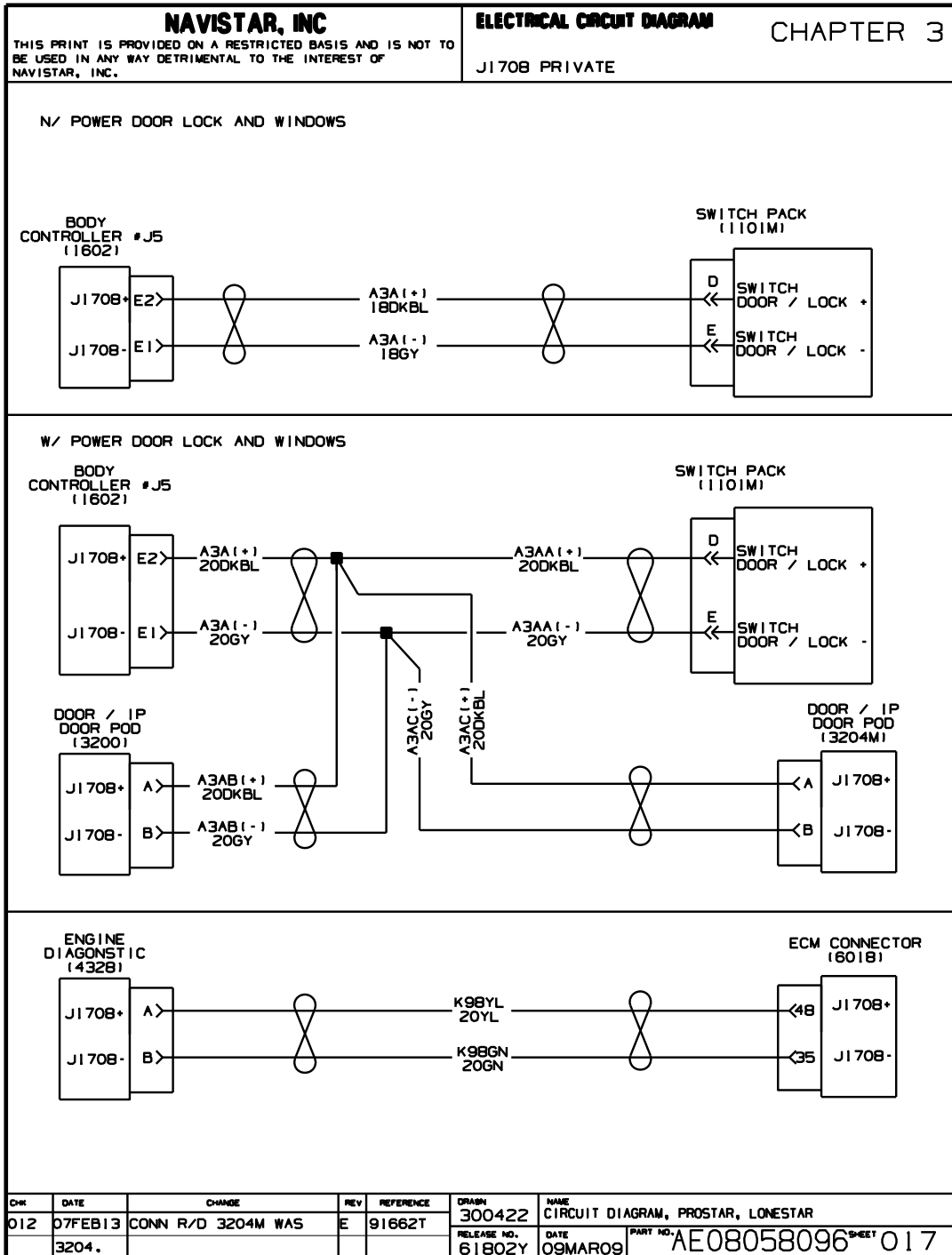


Figure 46 J1708 Private

3.35. J1708 PUBLIC, P. 18

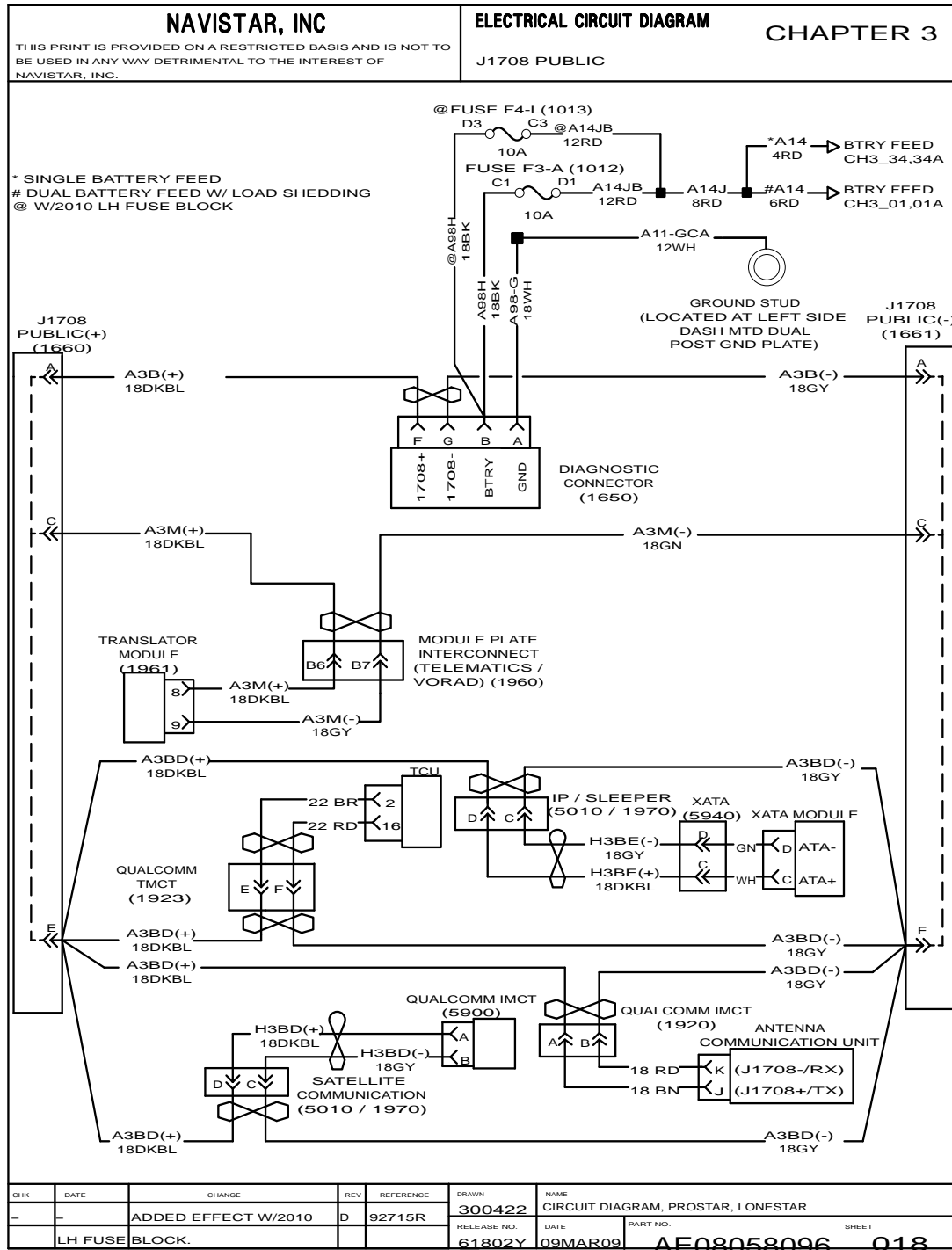


Figure 47 J1708 Public

3.36. J1708 PUBLIC (CONT.), P. 19

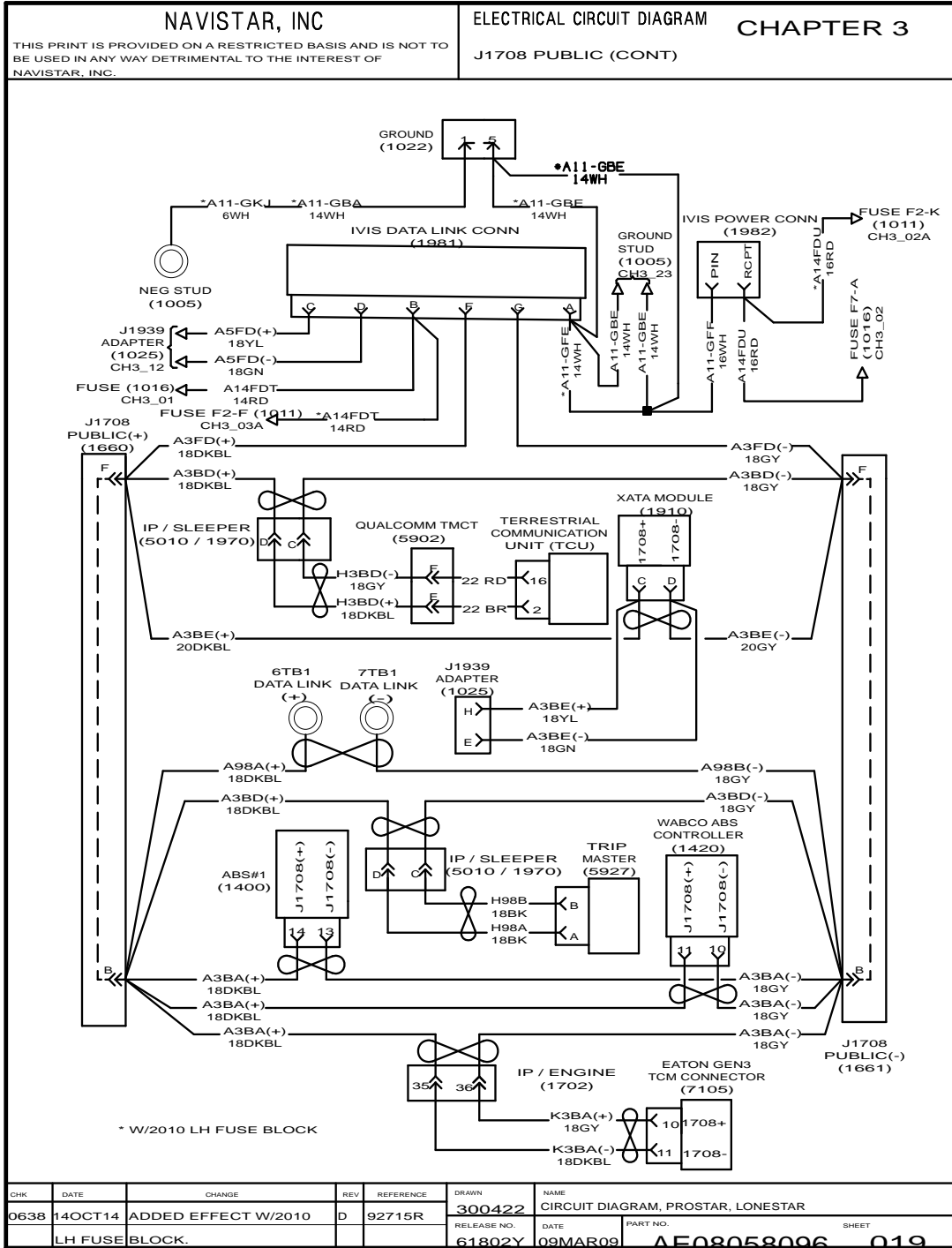


Figure 48 J1708 Public (Cont.)



3.37. J1708 PUBLIC (CONT.), P. 20

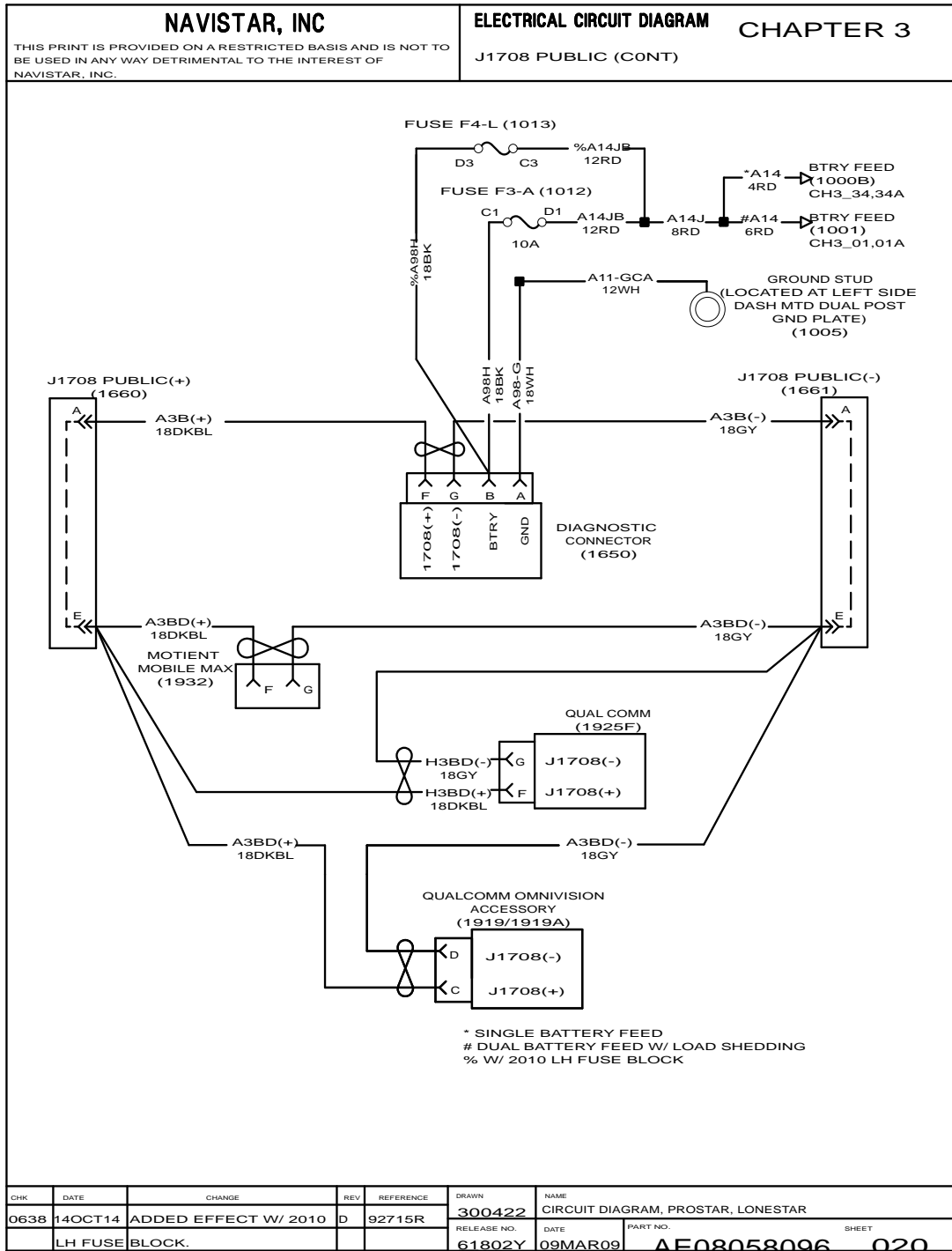


Figure 49 J1708 Public (Cont.)

3.38. GROUND – CAB, P. 21

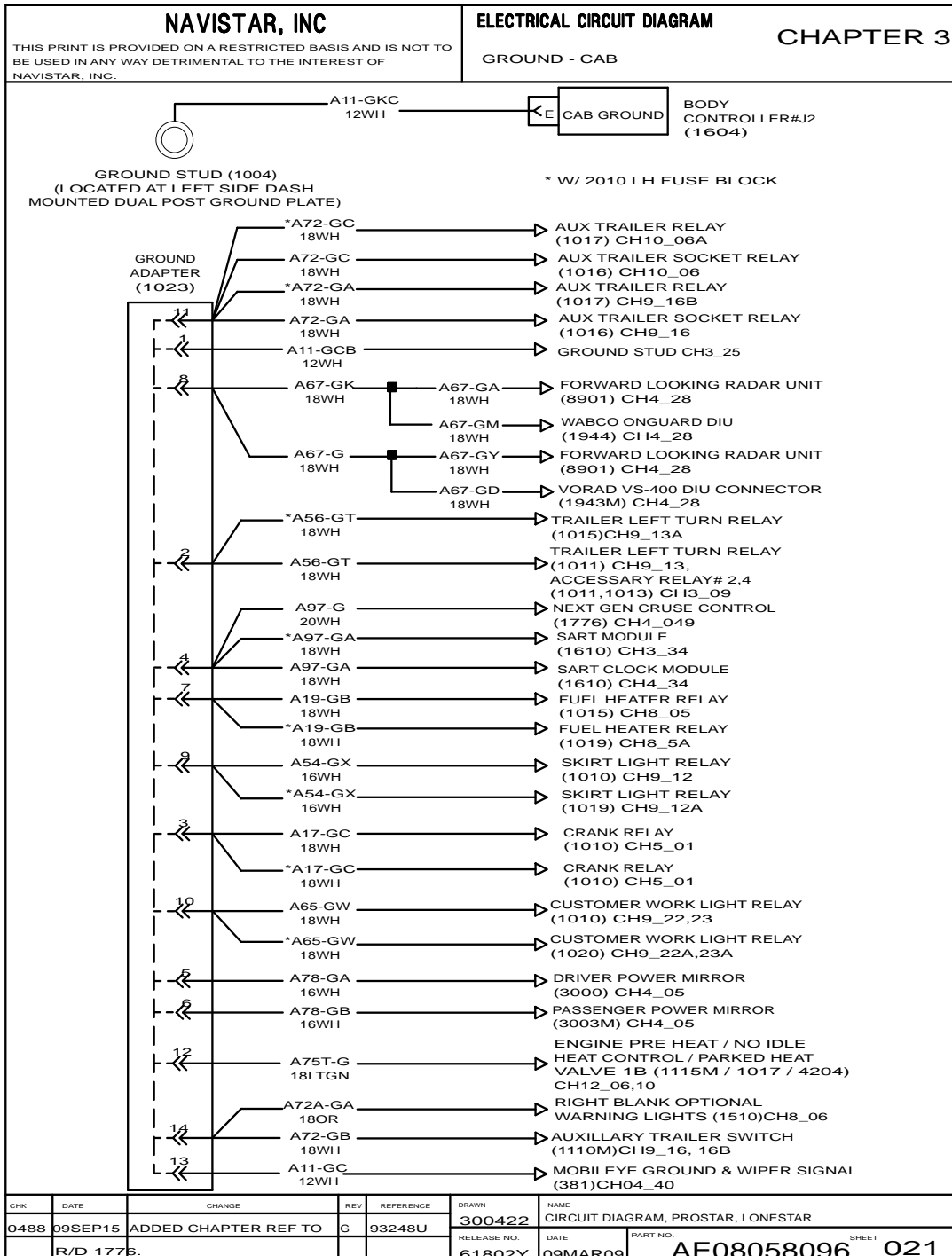


Figure 50 Ground – Cab

3.39. GROUND – CAB (CONT.), P. 22

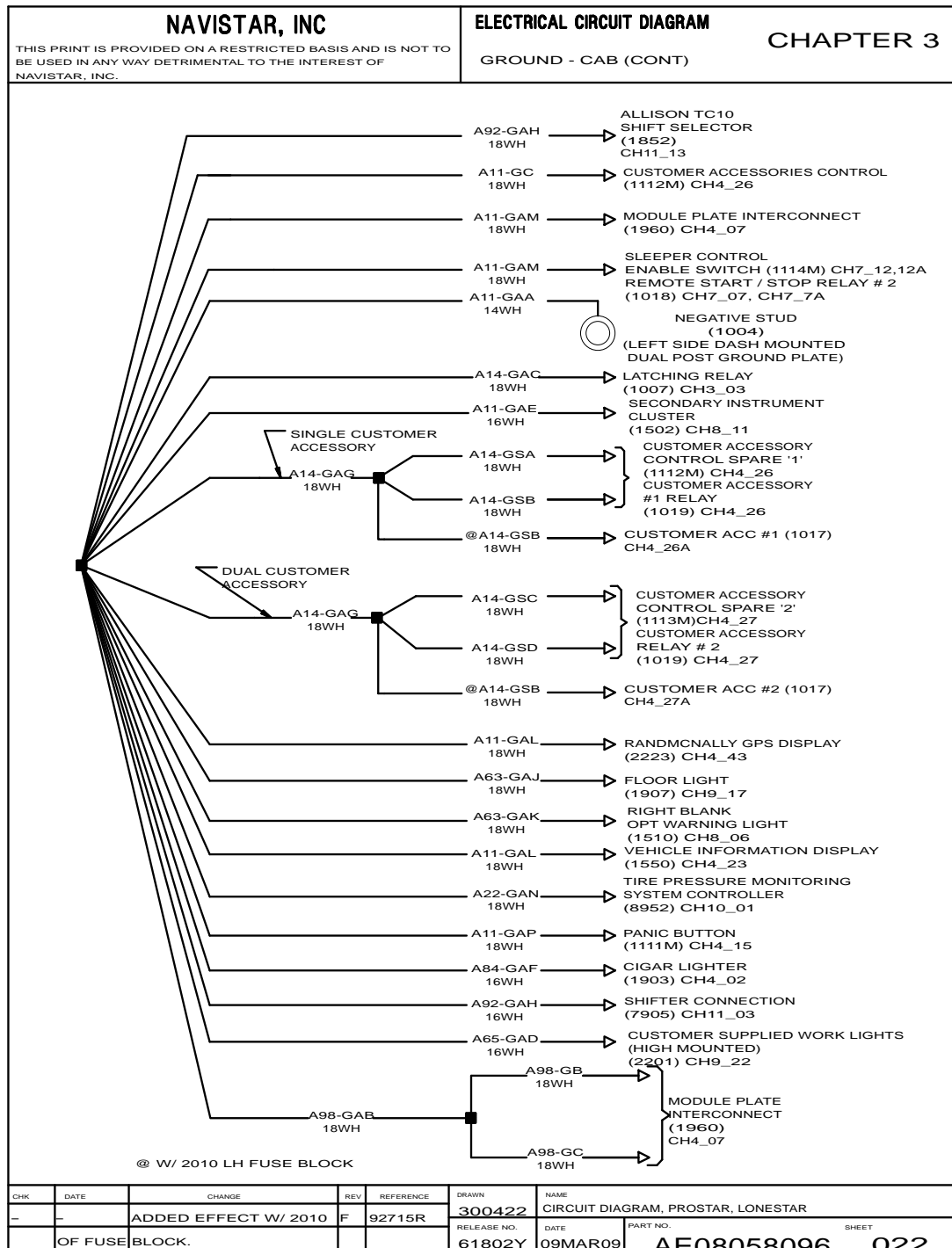


Figure 51 Ground – Cab (Cont.)

3.40. GROUND – CAB (CONT.), P. 23

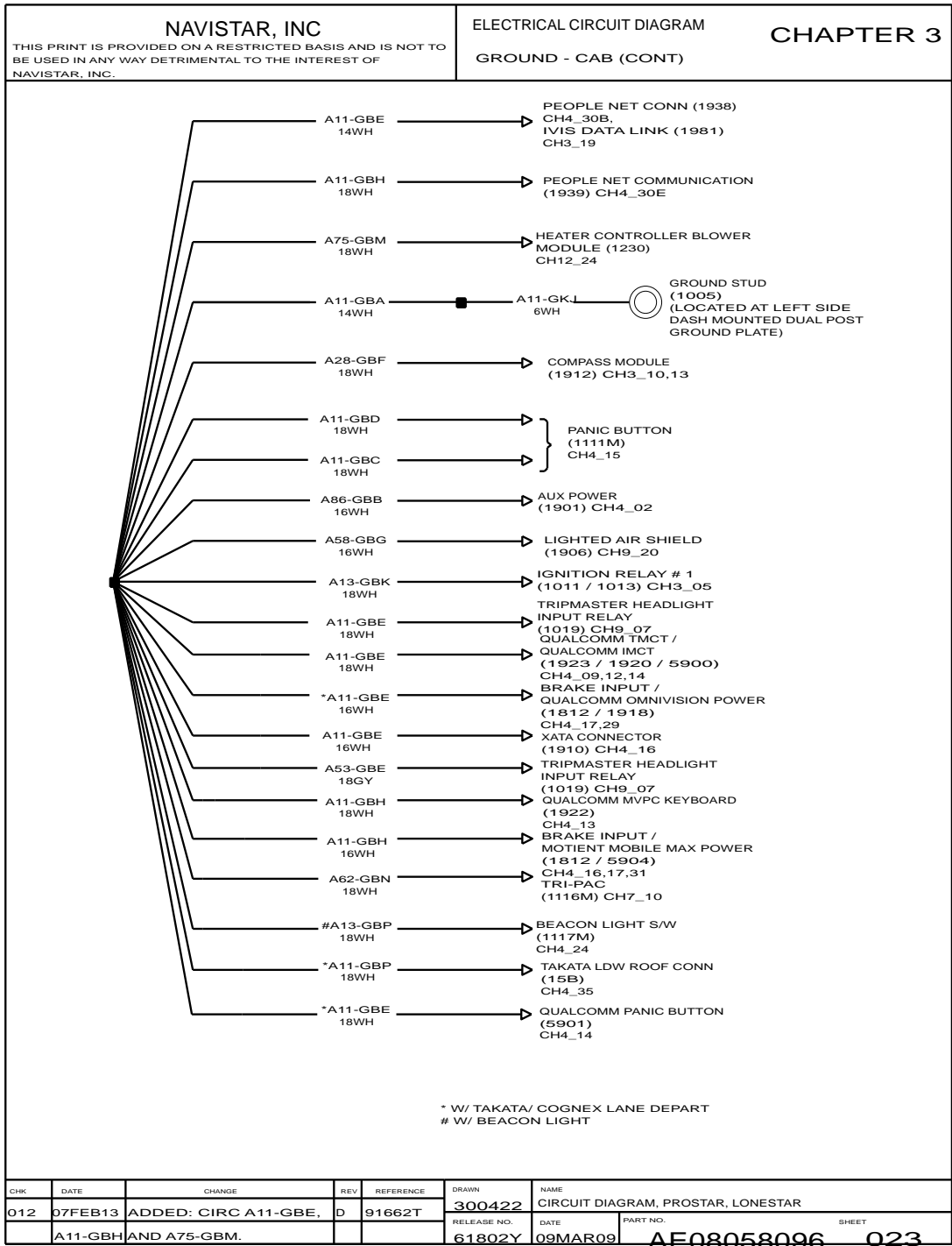


Figure 52 Ground – Cab (Cont.)

3.41. GROUND – CAB (CONT.), P. 24

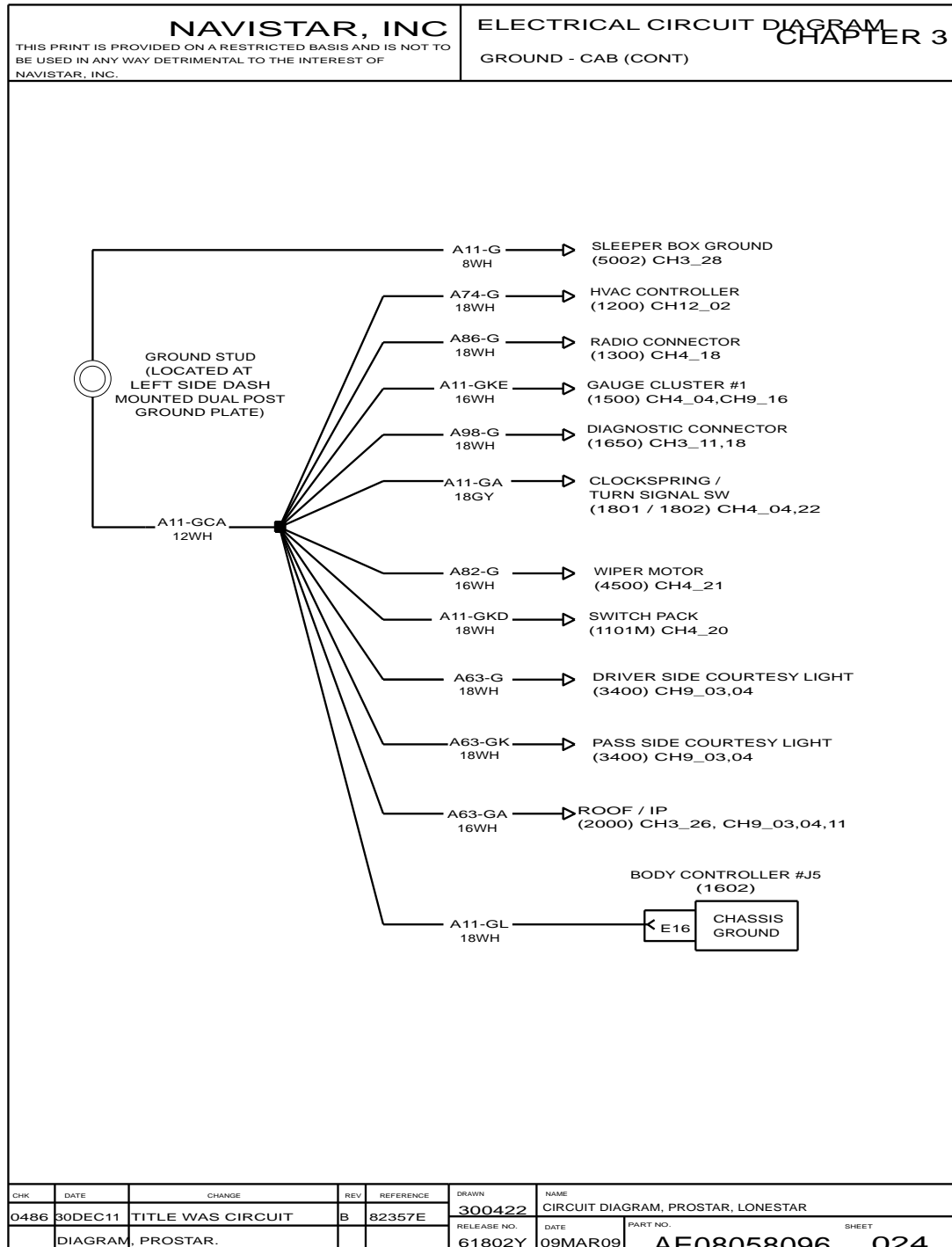


Figure 53 Ground – Cab (Cont.)

3.42. GROUND – CAB (CONT.), P. 25

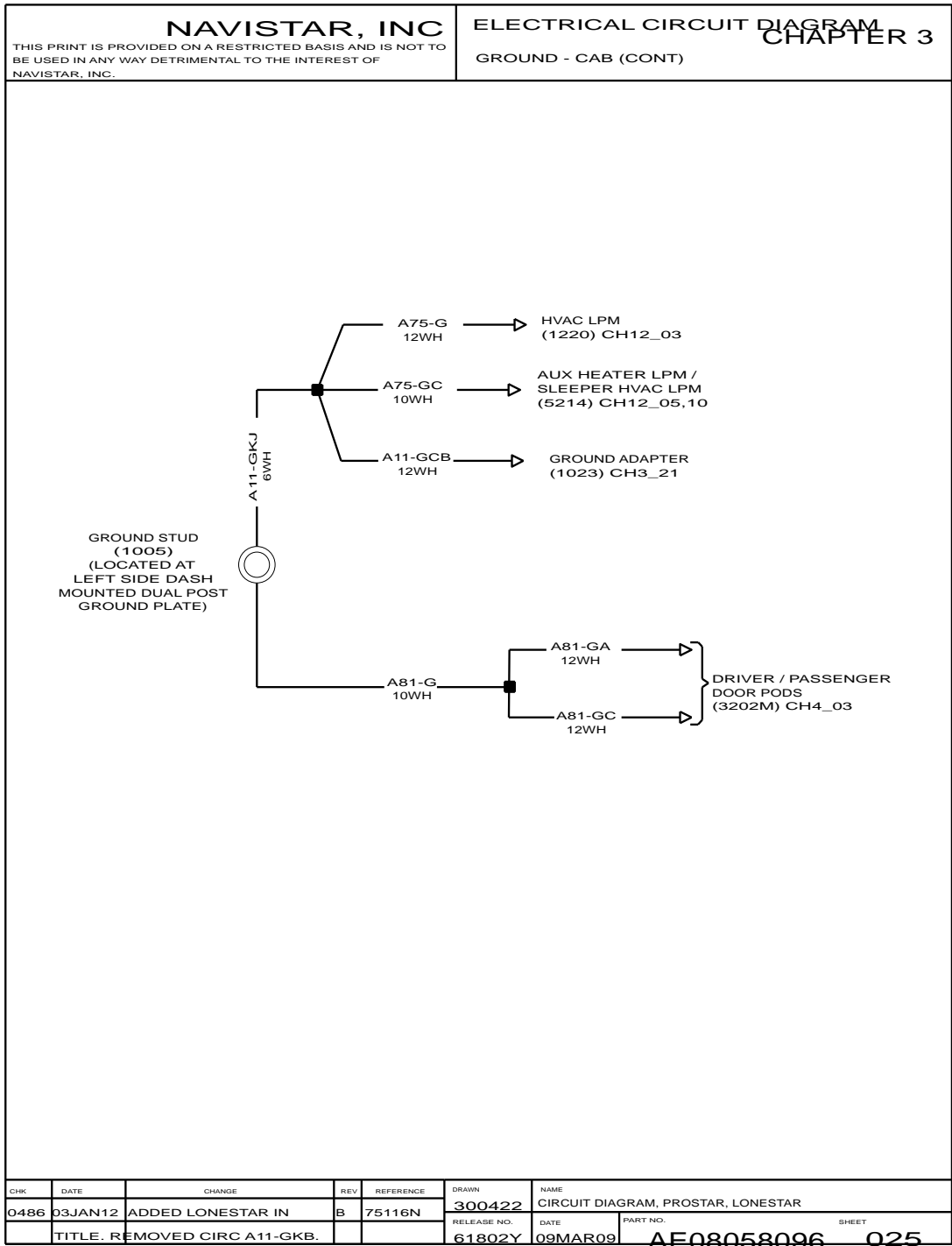


Figure 54 Ground – Cab (Cont.)

3.43. GROUND – CAB (CONT.), P. 26

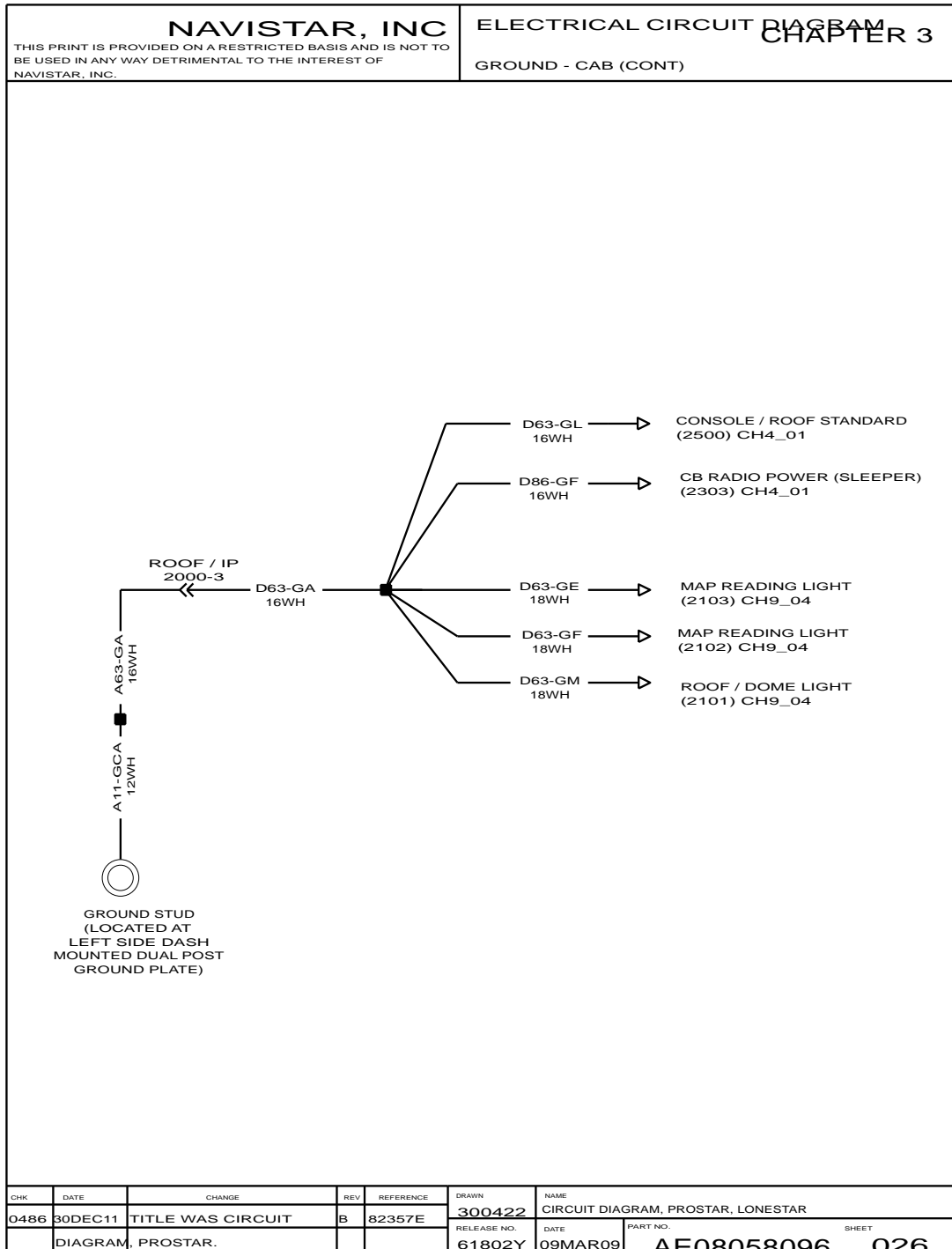


Figure 55 Ground – Cab (Cont.)

3.44. GROUND – CHASSIS, P. 27

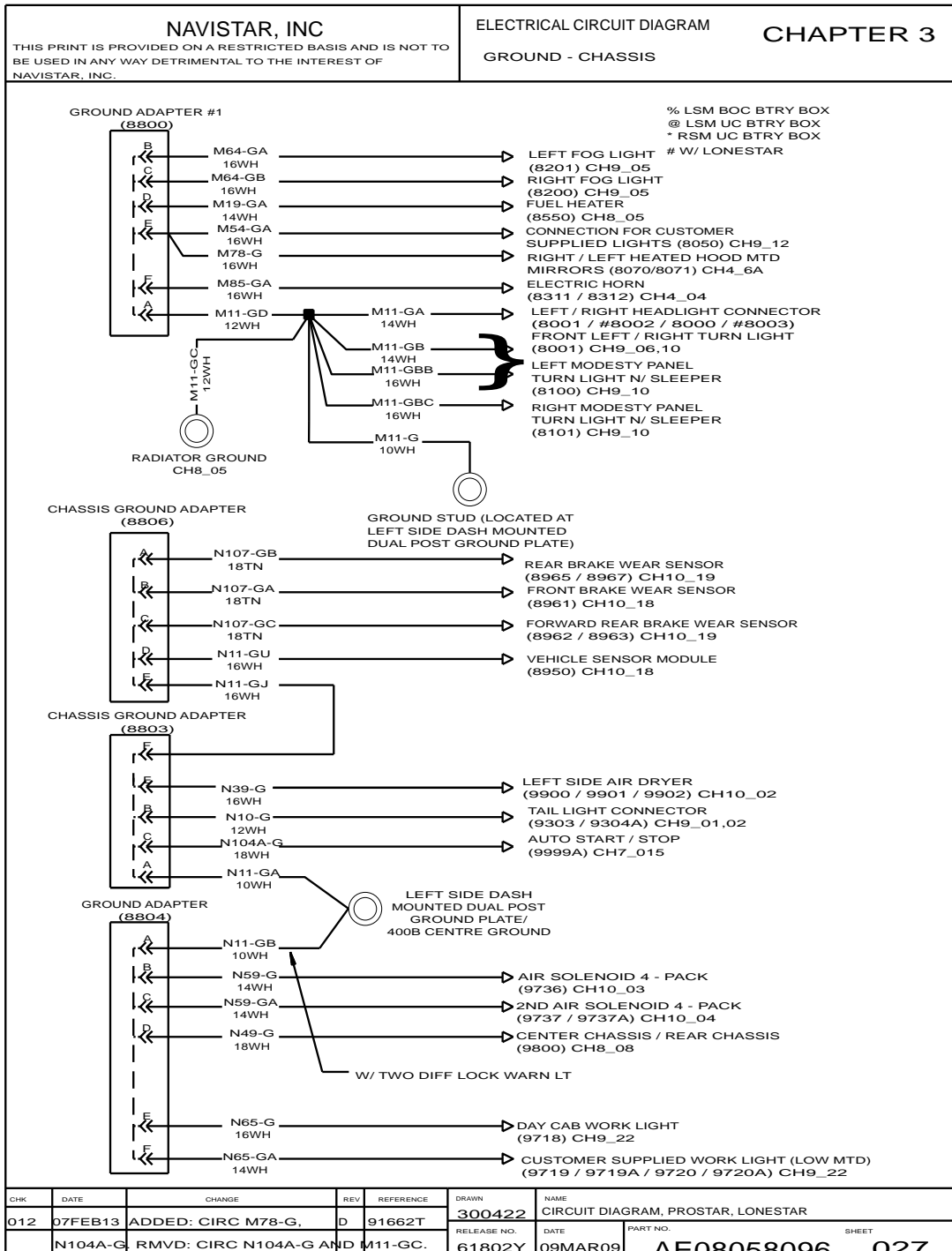


Figure 56 Ground – Chassis



3.45. GROUND – SLEEPER, P. 28

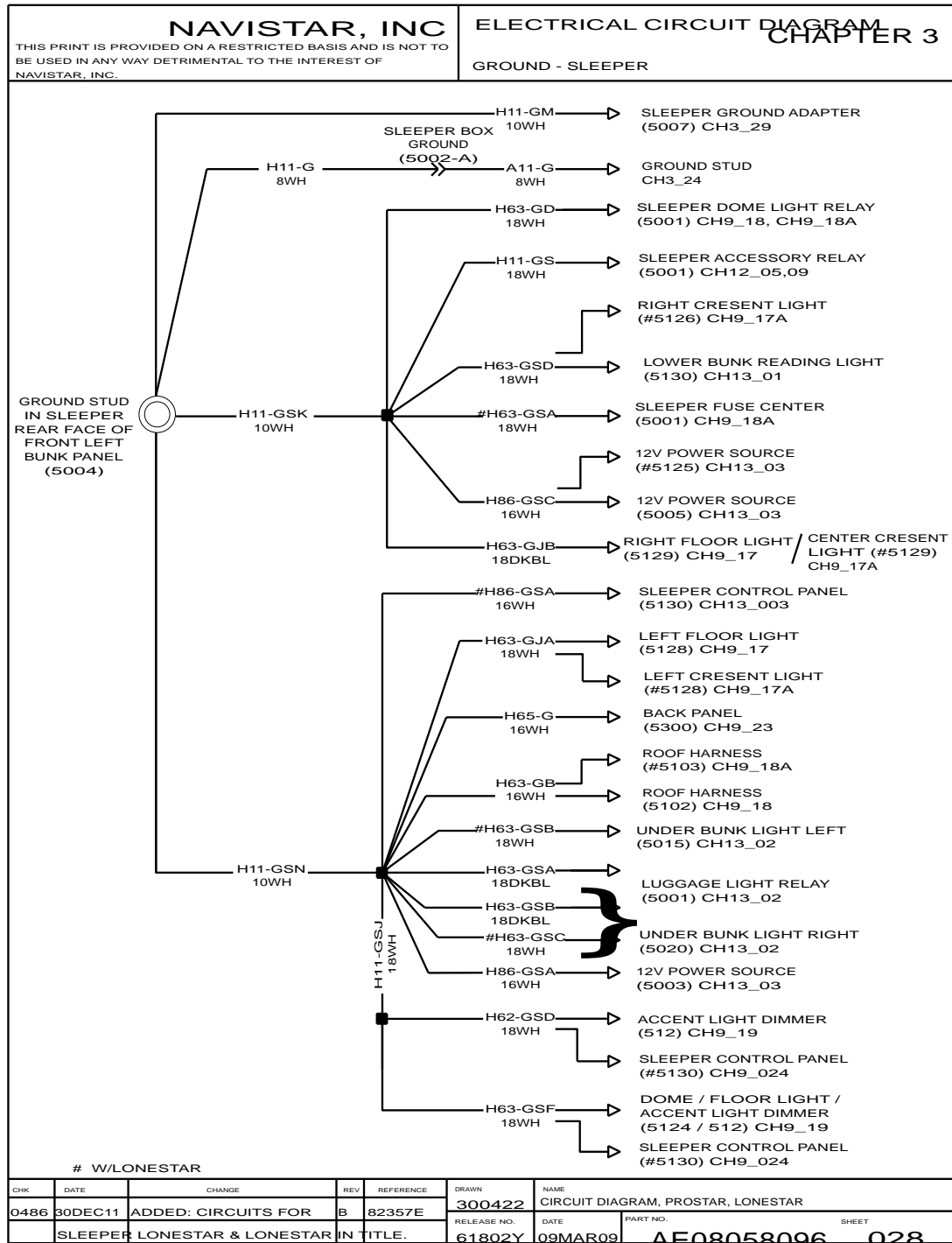


Figure 57 Ground – Sleeper

3.46. GROUND – SLEEPER (CONT.), P. 29

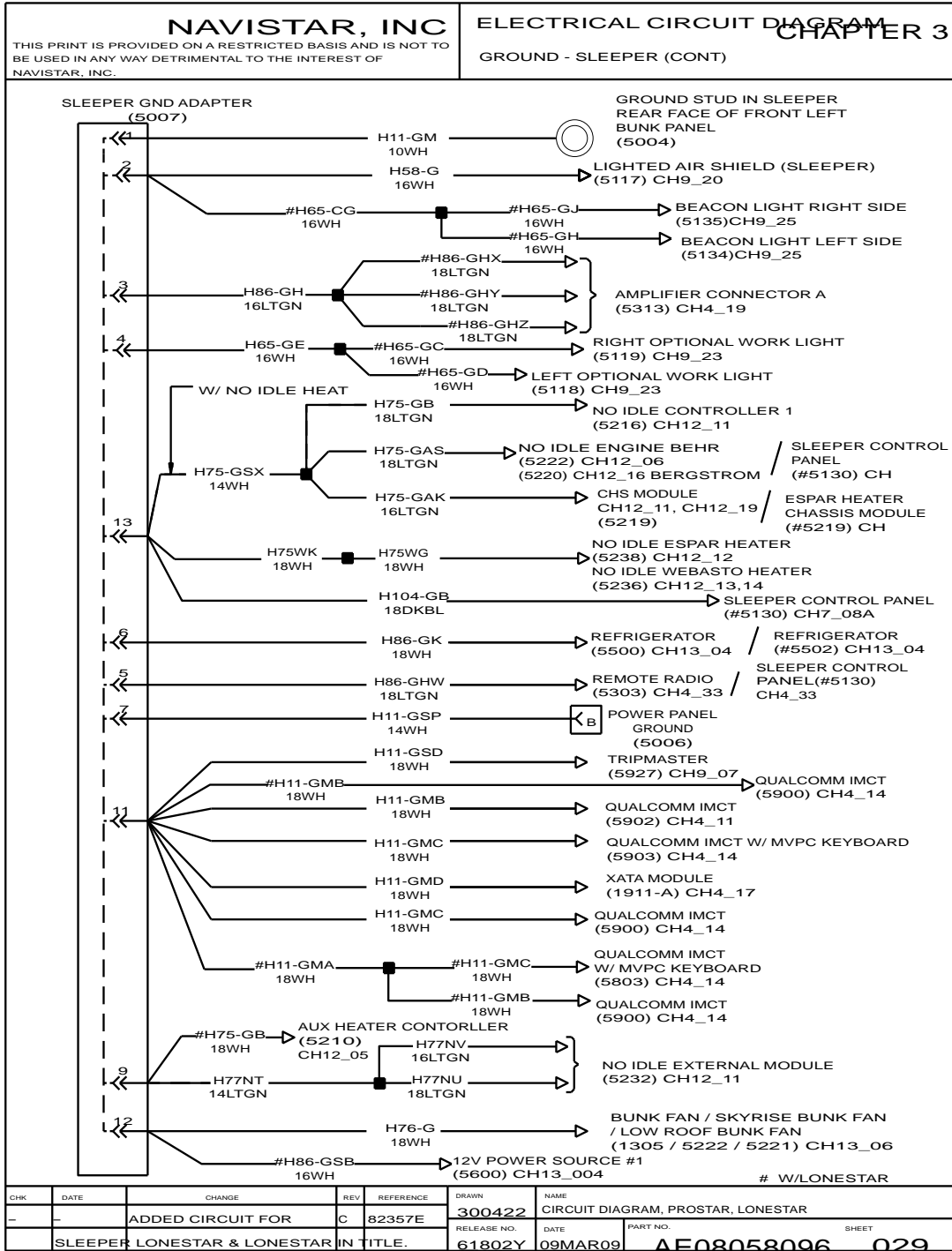


Figure 58 Ground – Sleeper (Cont.)

3.47. GROUND – SLEEPER (CONT.), P. 30

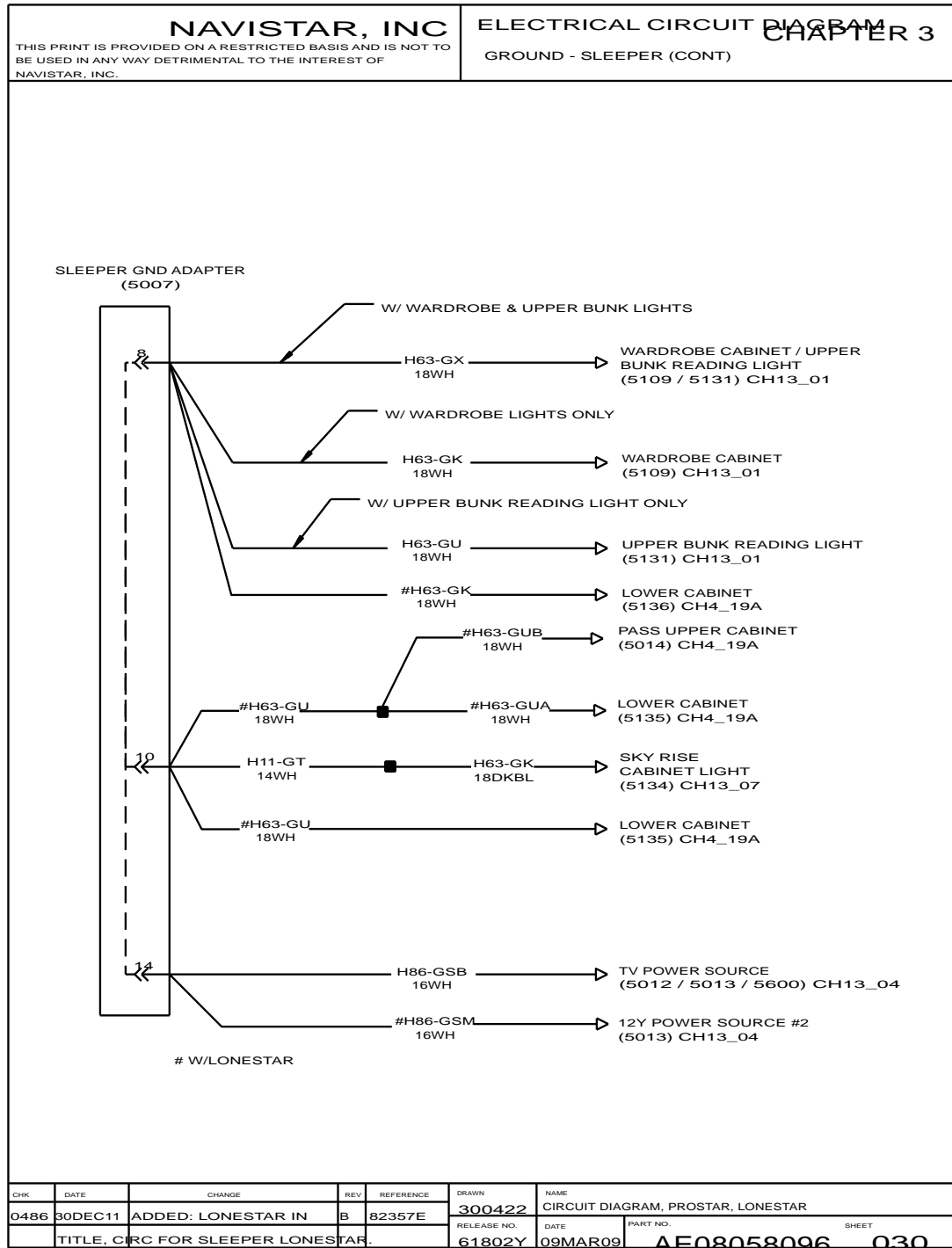


Figure 59 Ground – Sleeper (Cont.)

3.48. GROUND ADAPTER – IBB ENGINE, P. 31

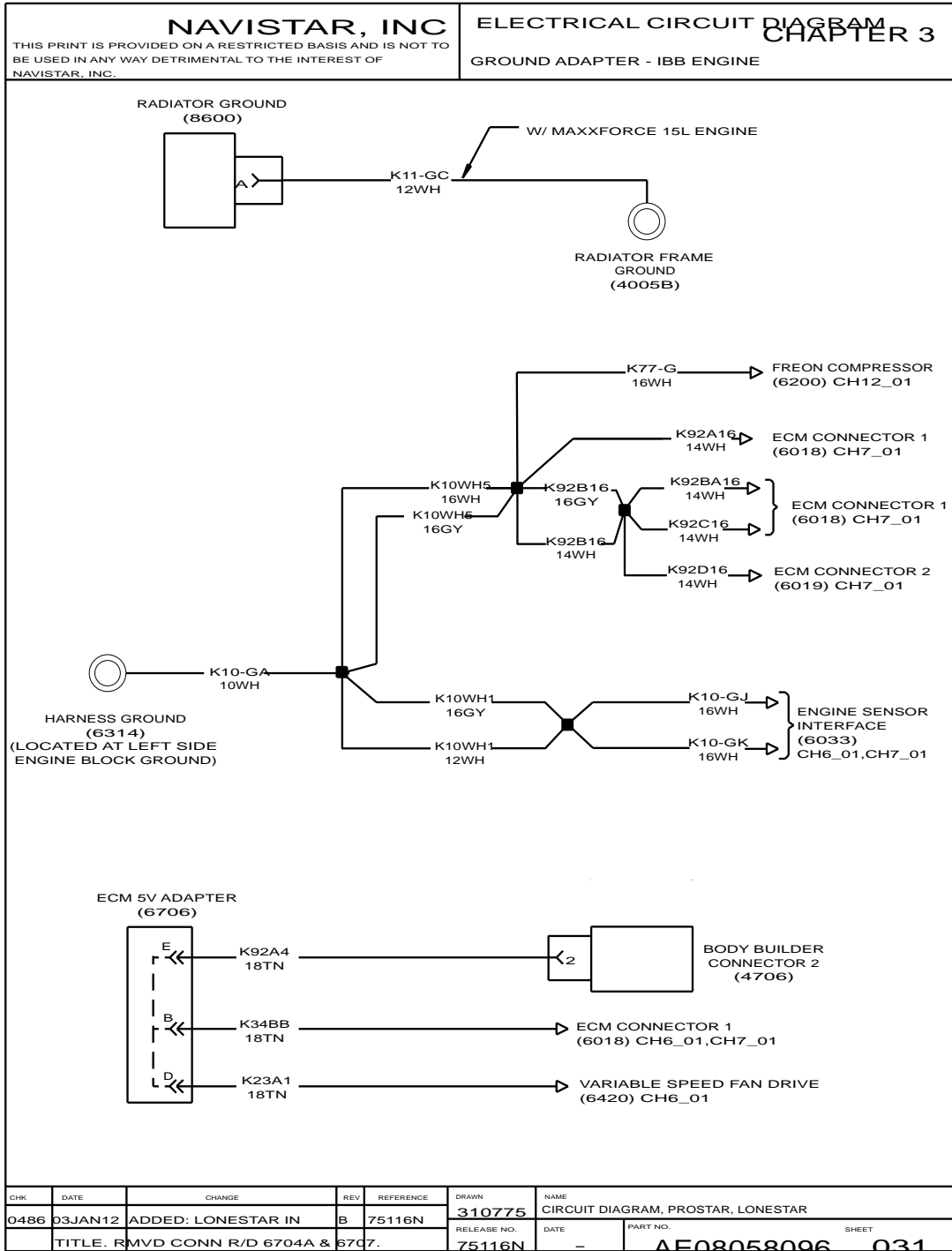


Figure 60 Ground Adapter – IBB Engine

3.49. GROUND ADAPTER – IBB ENGINE (CONT.), P. 32

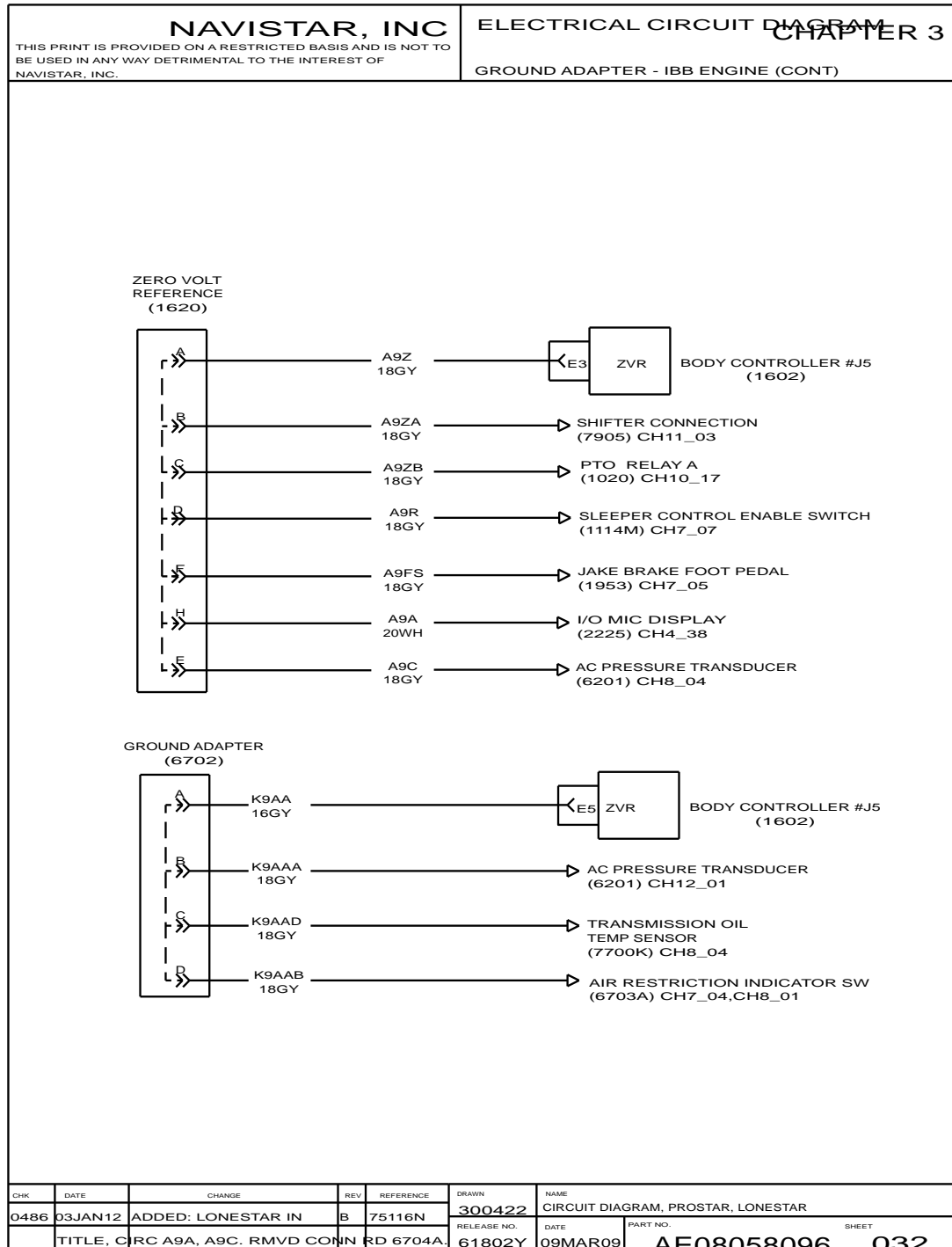


Figure 61 Ground Adapter – IBB Engine (Cont.)

3.50. GROUND ADAPTER, P. 33

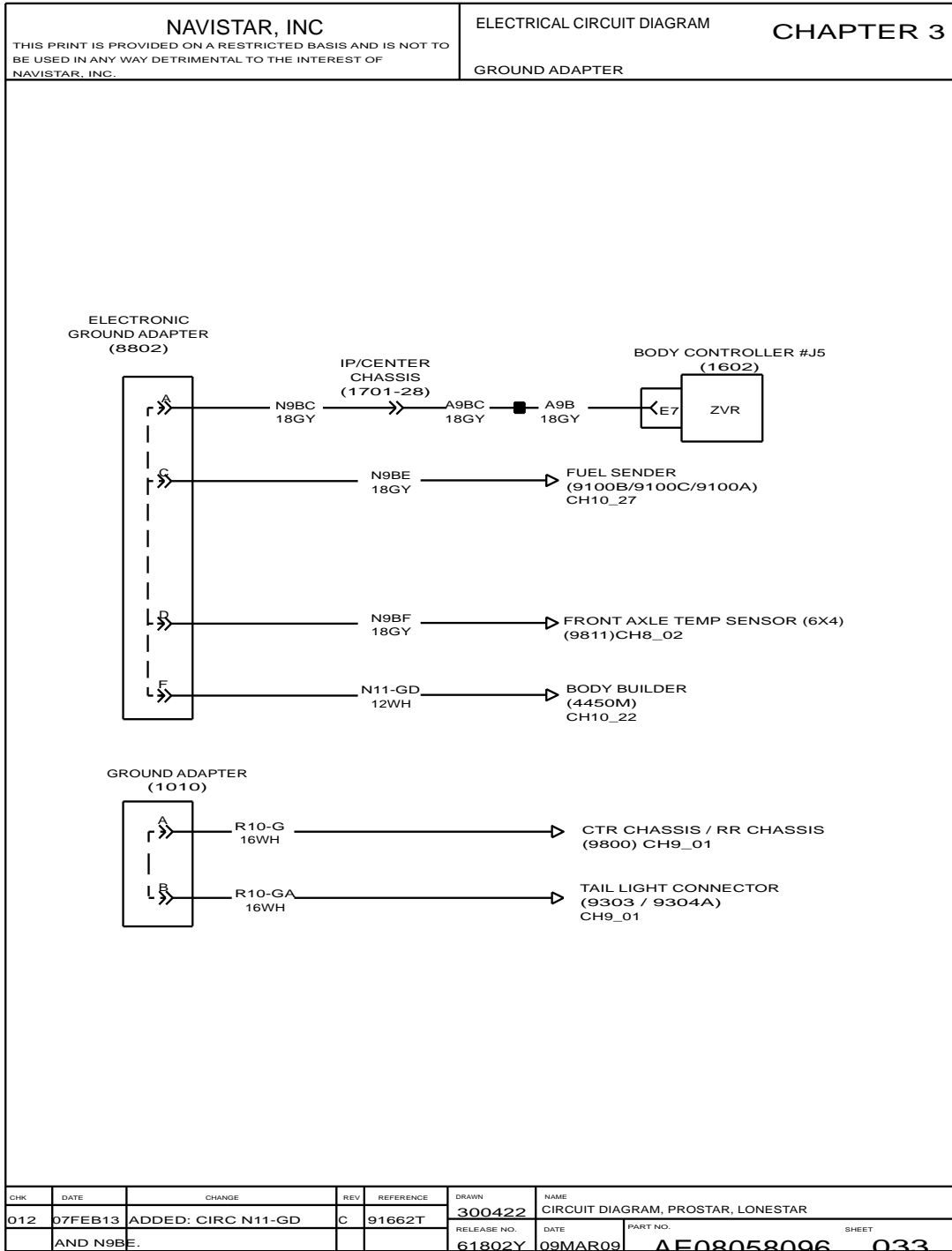


Figure 62 Ground Adapter

3.51. BATTERY FEED, SINGLE, P. 34

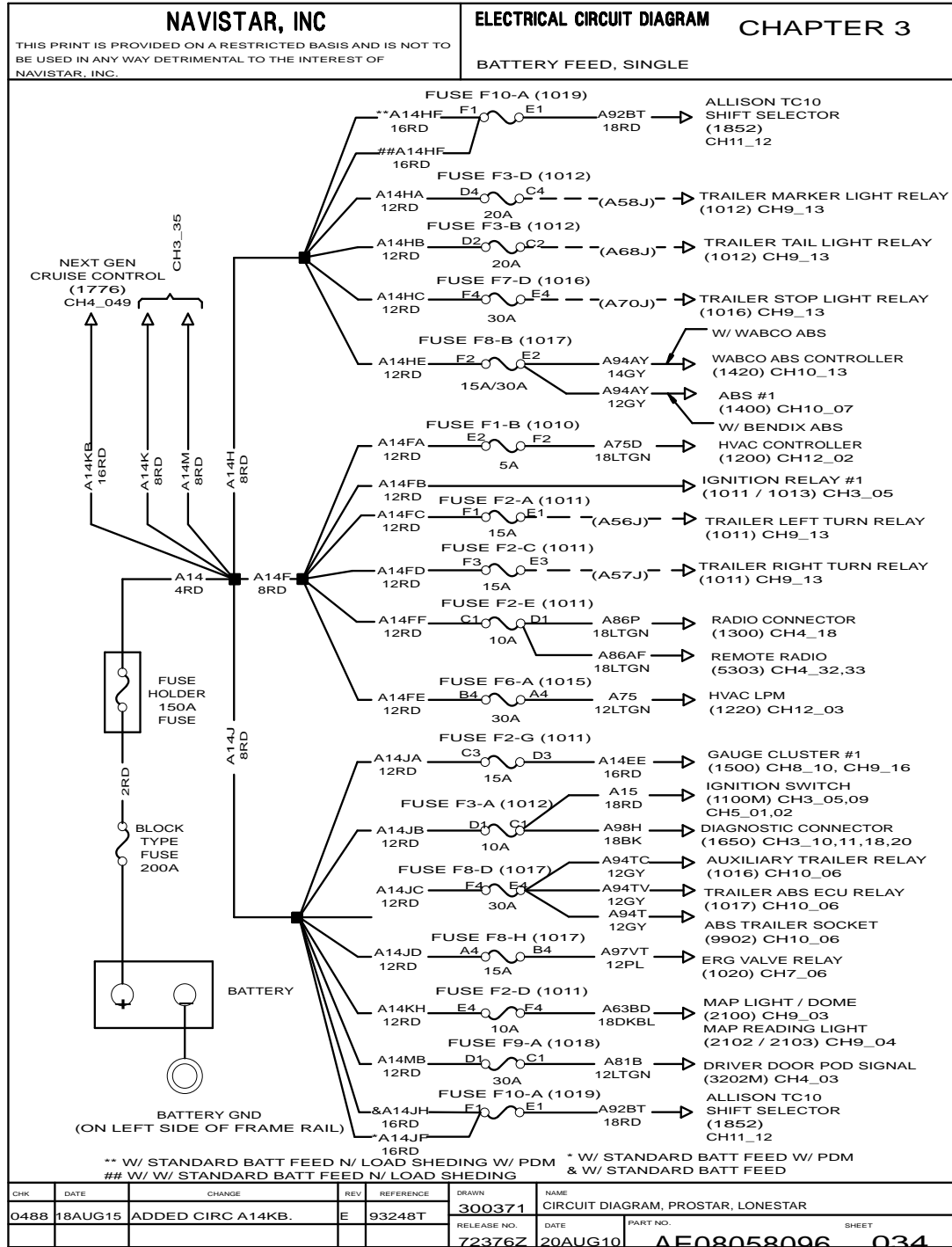


Figure 63 Battery Feed, Single

3.52. BATTERY FEED, SINGLE (CONT.), P. 34A

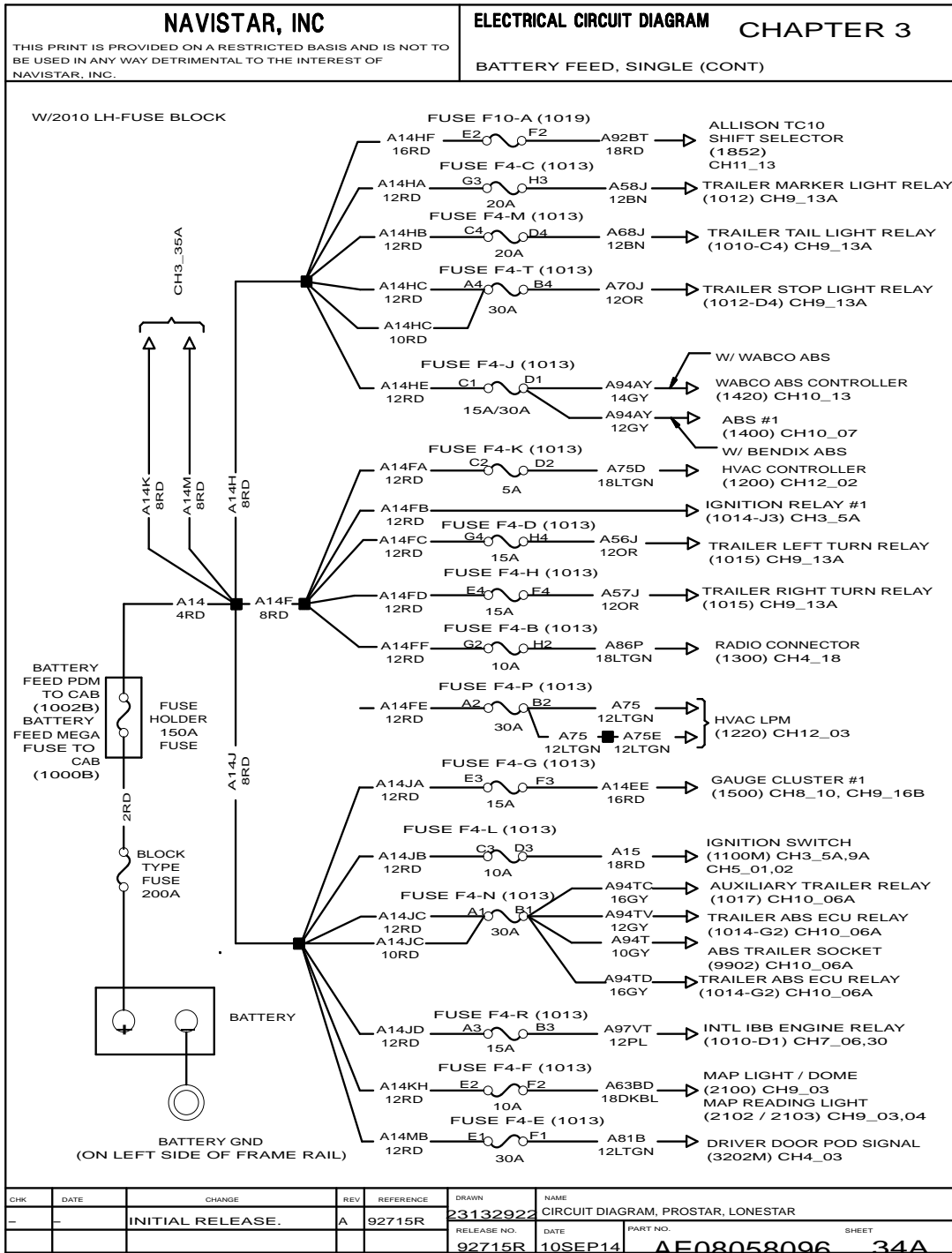


Figure 64 Battery Feed, Single (Cont.)



3.53. BATTERY FEED, SINGLE (CONT.), P. 35

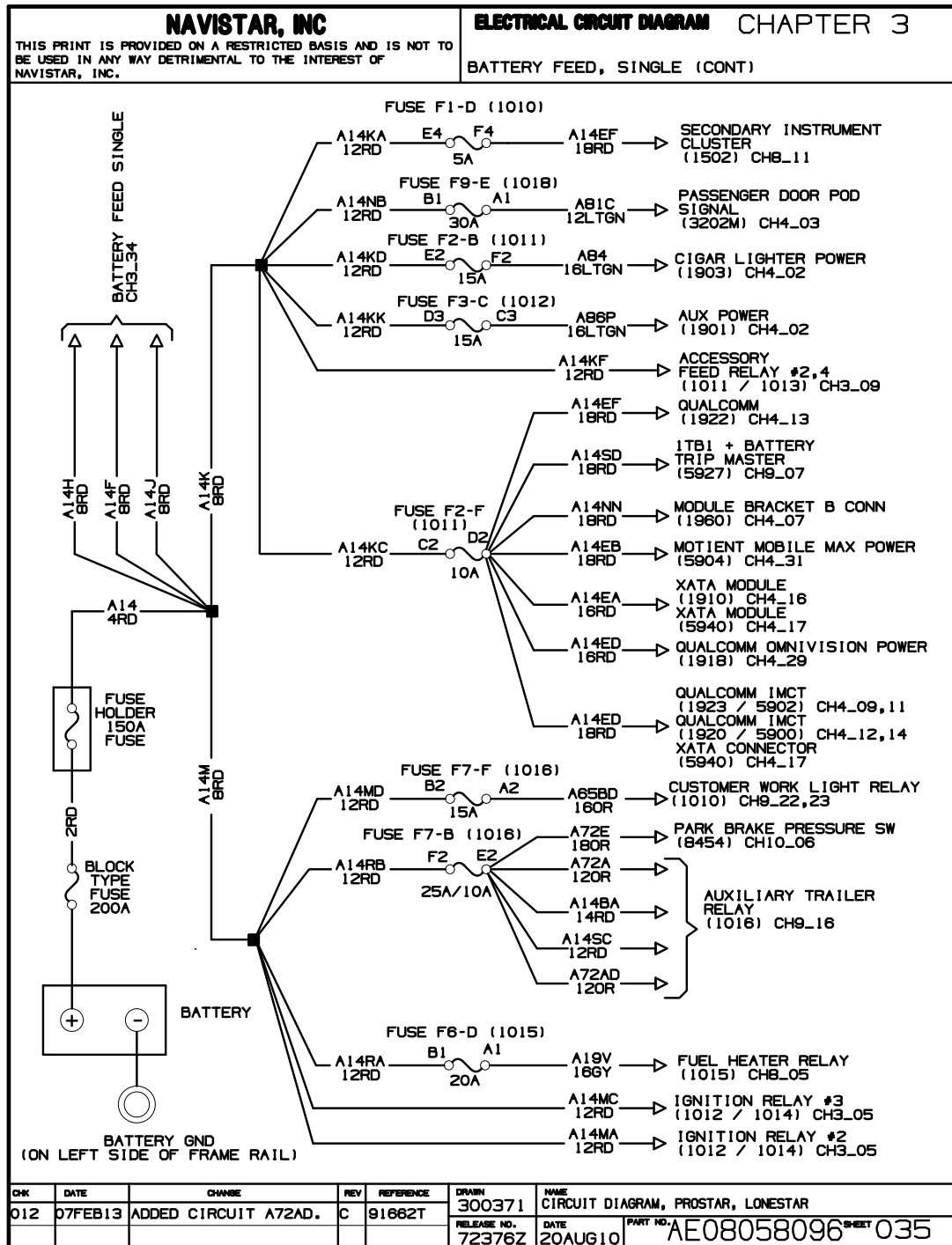


Figure 65 Battery Feed, Single (Cont.)

3.54. BATTERY FEED, SINGLE (CONT.), P. 35A

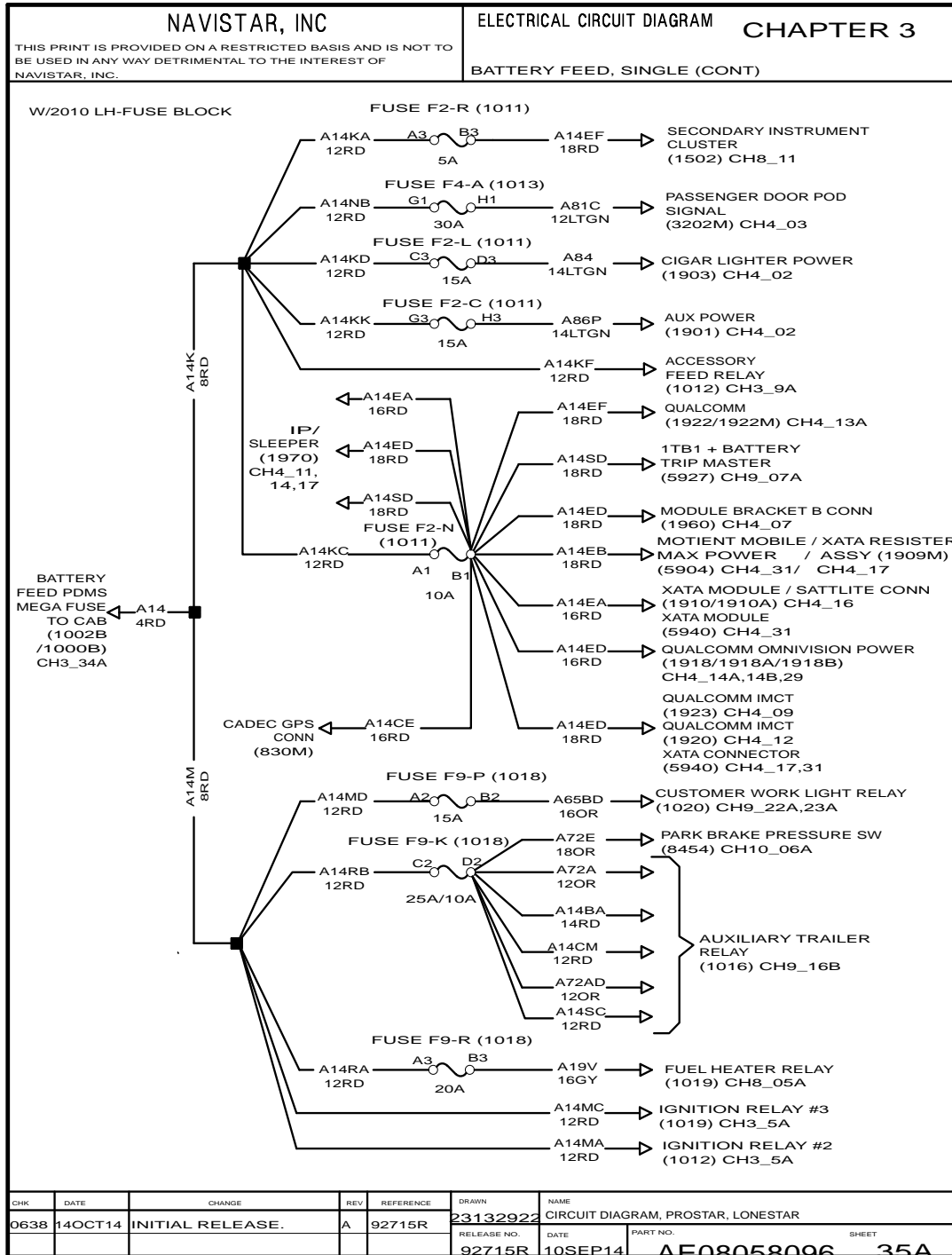


Figure 66 Battery Feed, Single (Cont.)

3.55. GROUND ADAPTER - ISX ENGINE, P. 36

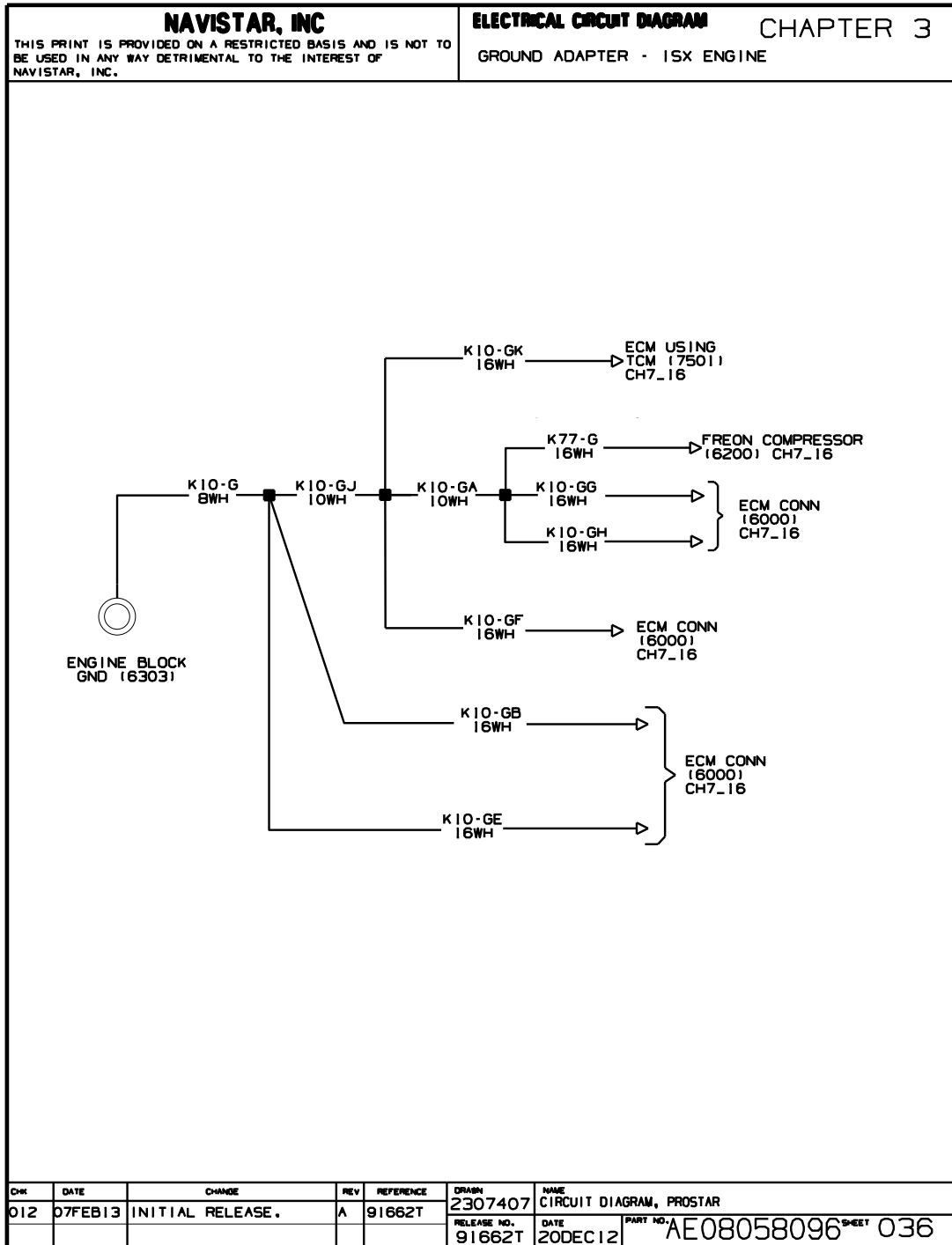


Figure 67 Ground Adapter - ISX Engine

3.56. GROUND ADAPTER - ISX ENGINE (CONT.), P. 37

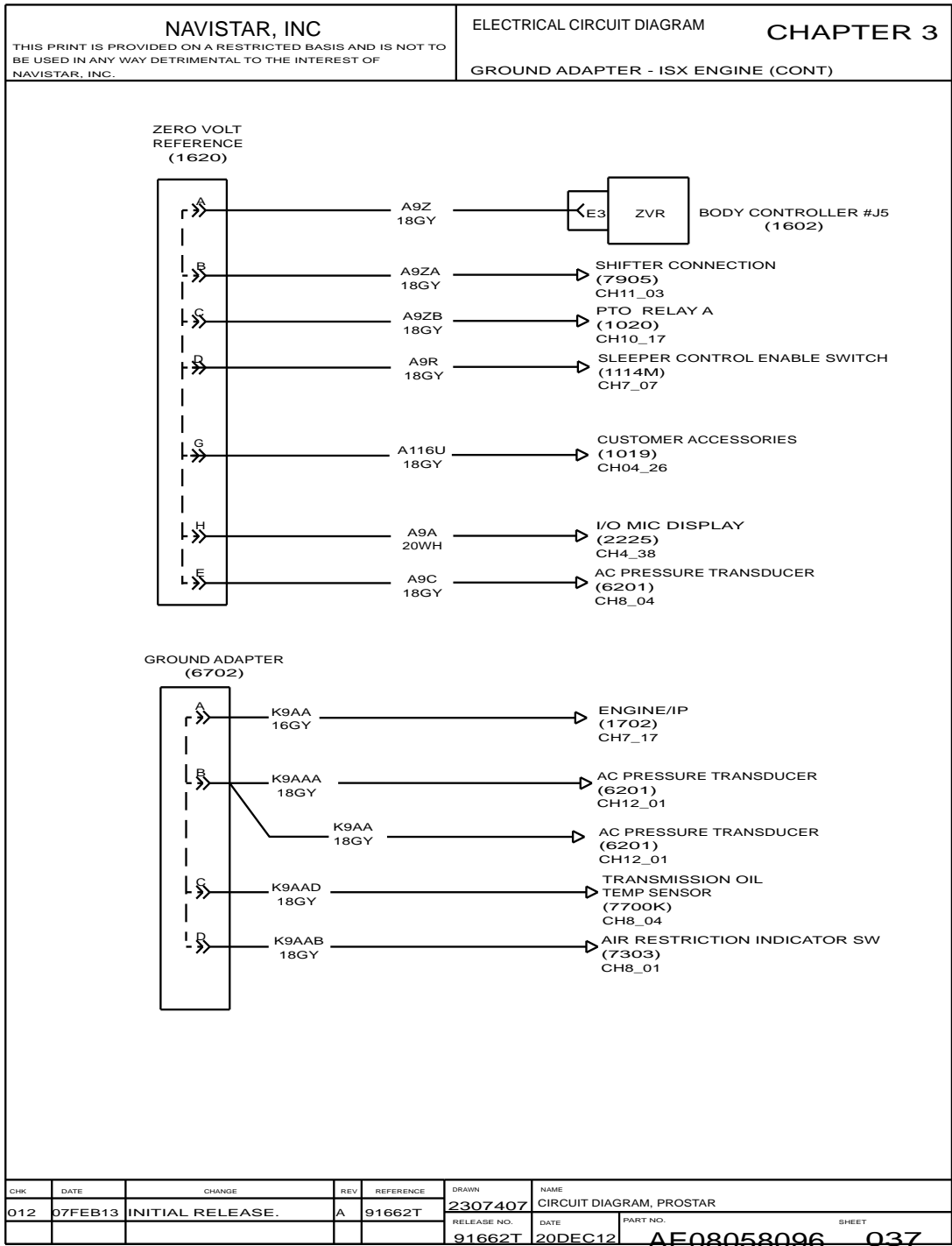


Figure 68 Ground Adapter - ISX Engine (Cont.)

3.57. ENGINE GROUND FOR 2010 SCR 13L ENGINE, P. 38

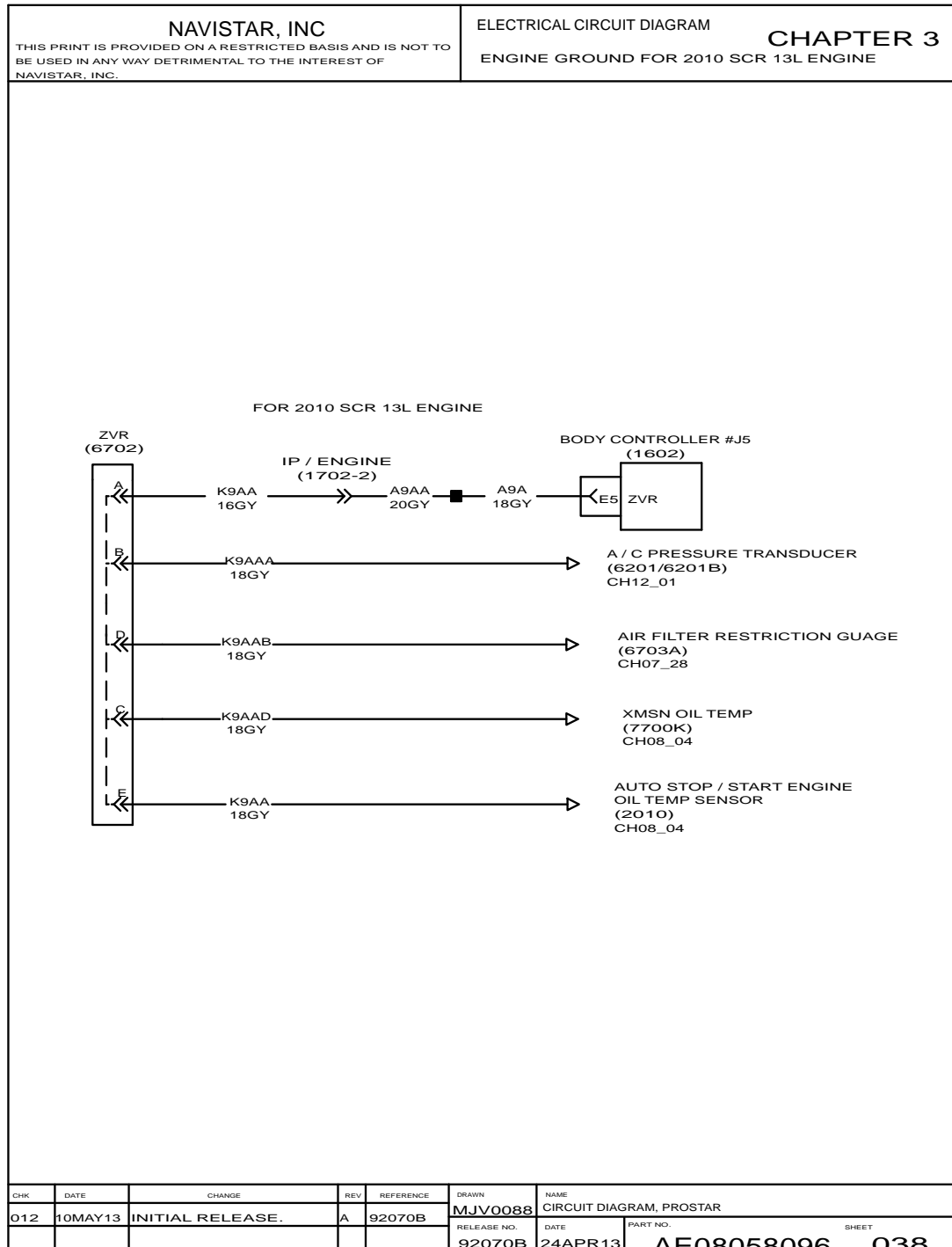


Figure 69 Engine Ground for 2010 SCR 13L Engine

3.58. ALTERNATOR POWER AND GROUND (2010 SCR 13L ENGINE), P. 39

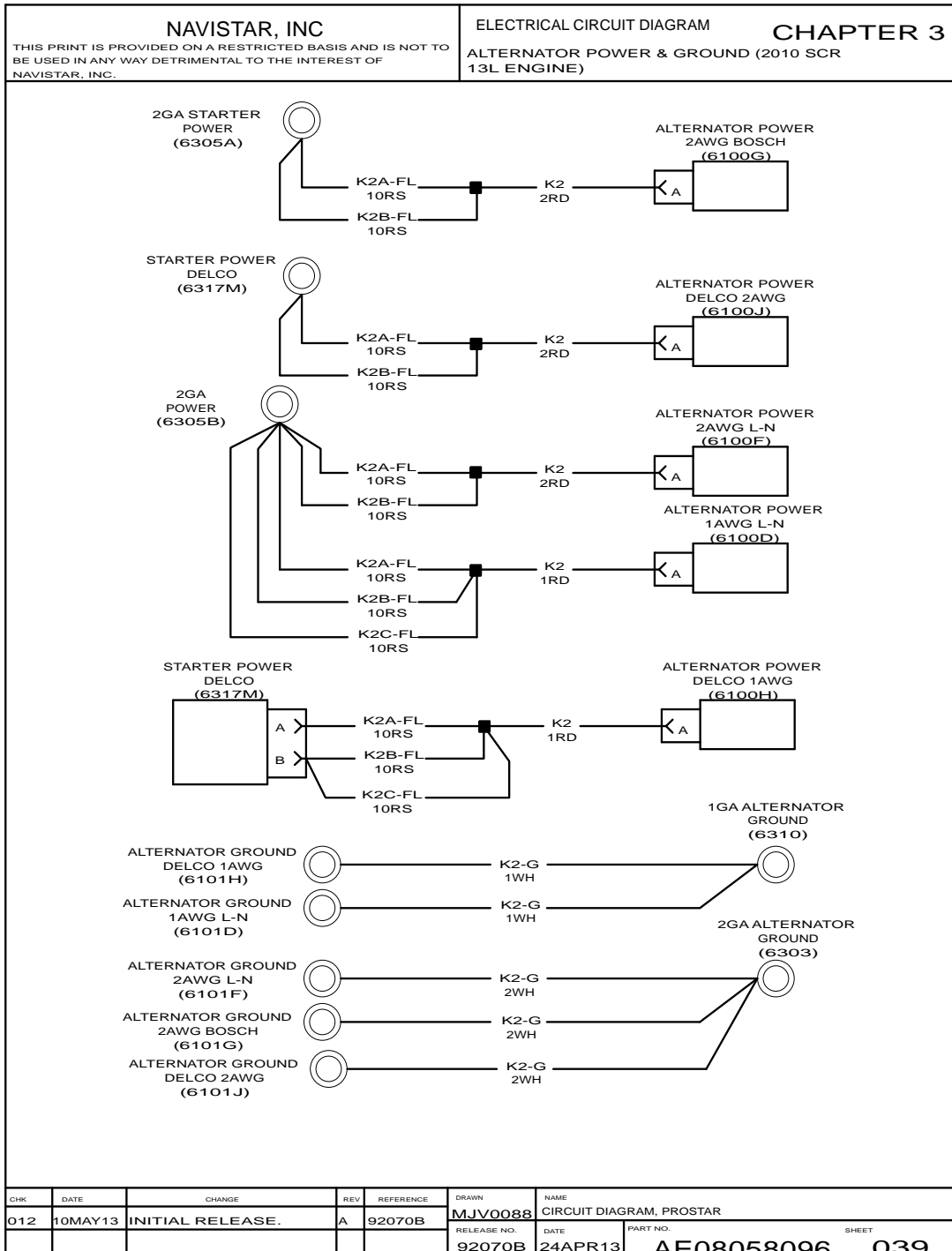


Figure 70 Alternator Power and Ground (2010 SCR 13L Engine)

3.59. J1939 TERMINATOR (2010 SCR 13L ENGINE), P. 40

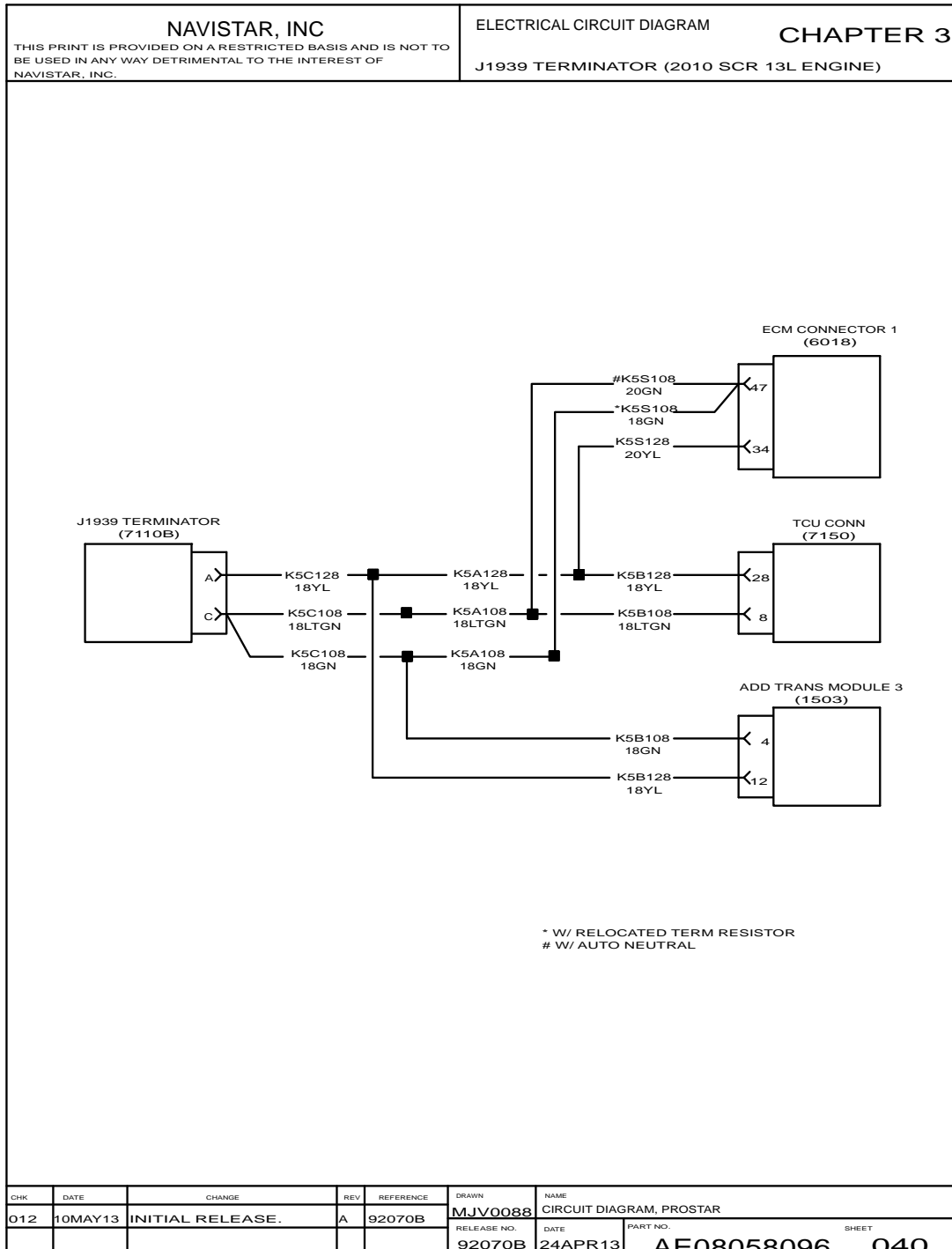


Figure 71 J1939 Terminator (2010 SCR 13L Engine)

3.60. CAB J1939 DATA LINK (2010 SCR 13L ENG), P. 41

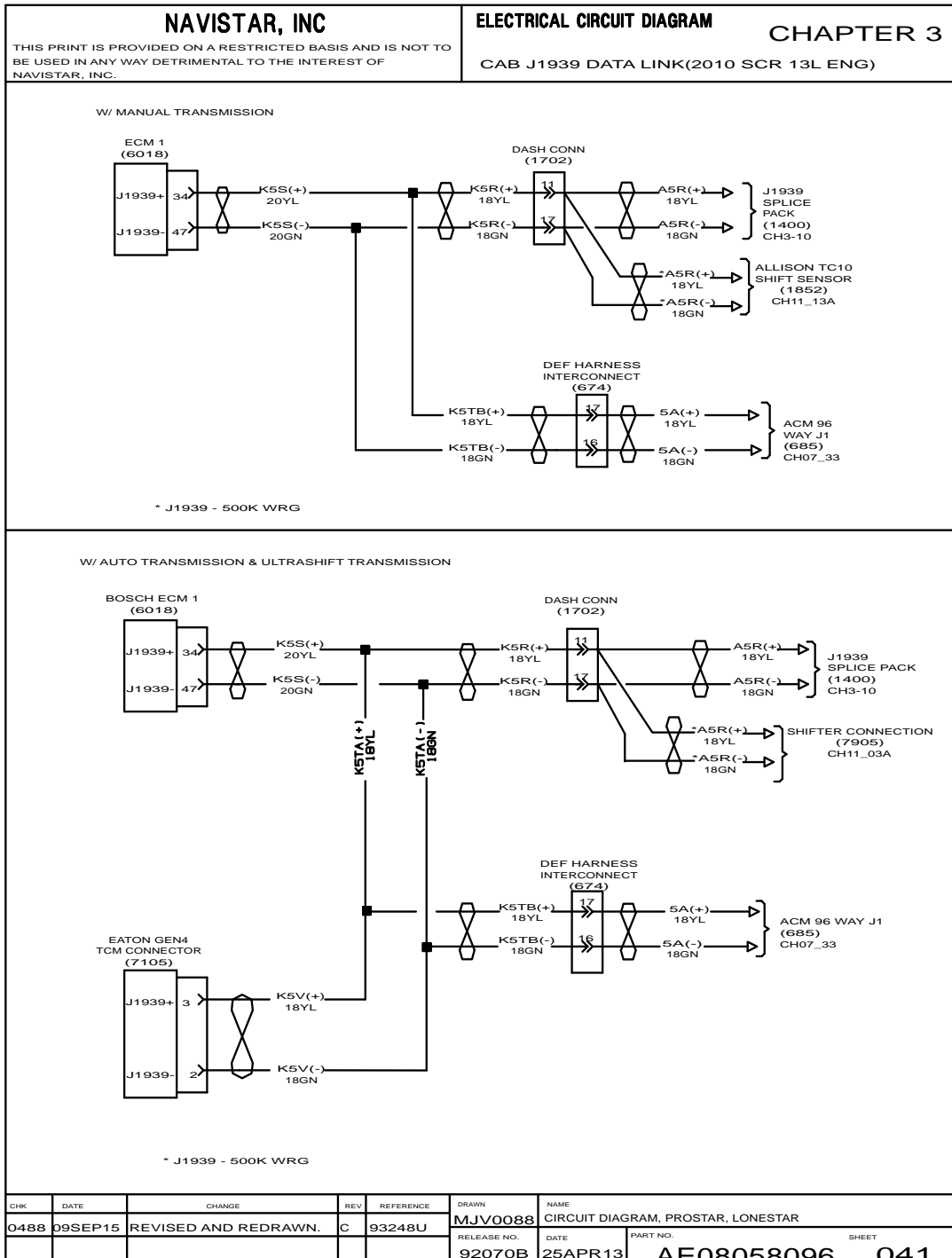


Figure 72 Cab J1939 Data Link (2010 SCR 13L ENG)



3.61. GROUND – IP WITH RUSSIAN PROSTAR, P. 42

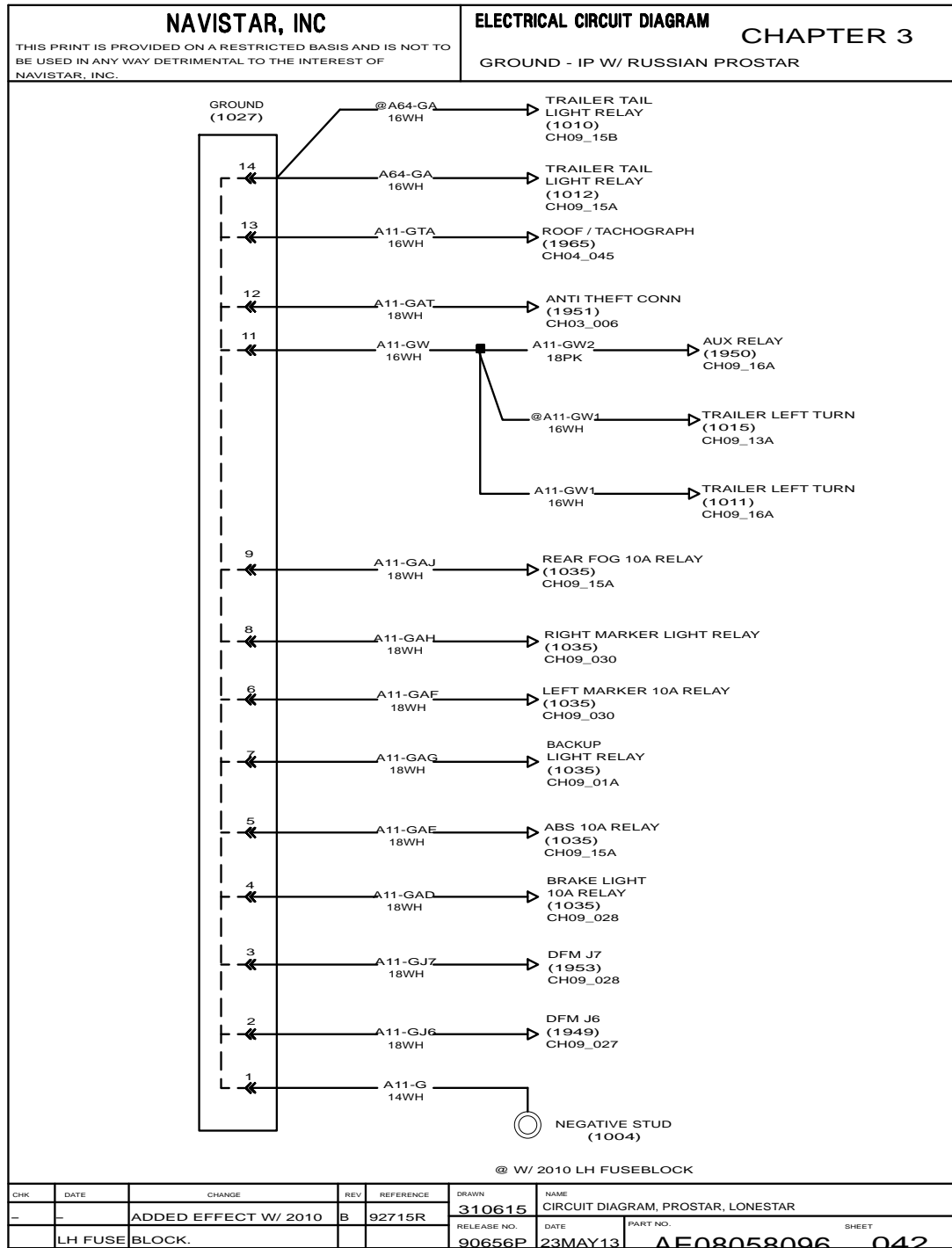


Figure 73 Ground – IP with Russian ProStar

3.62. CAB J1939, P. 43

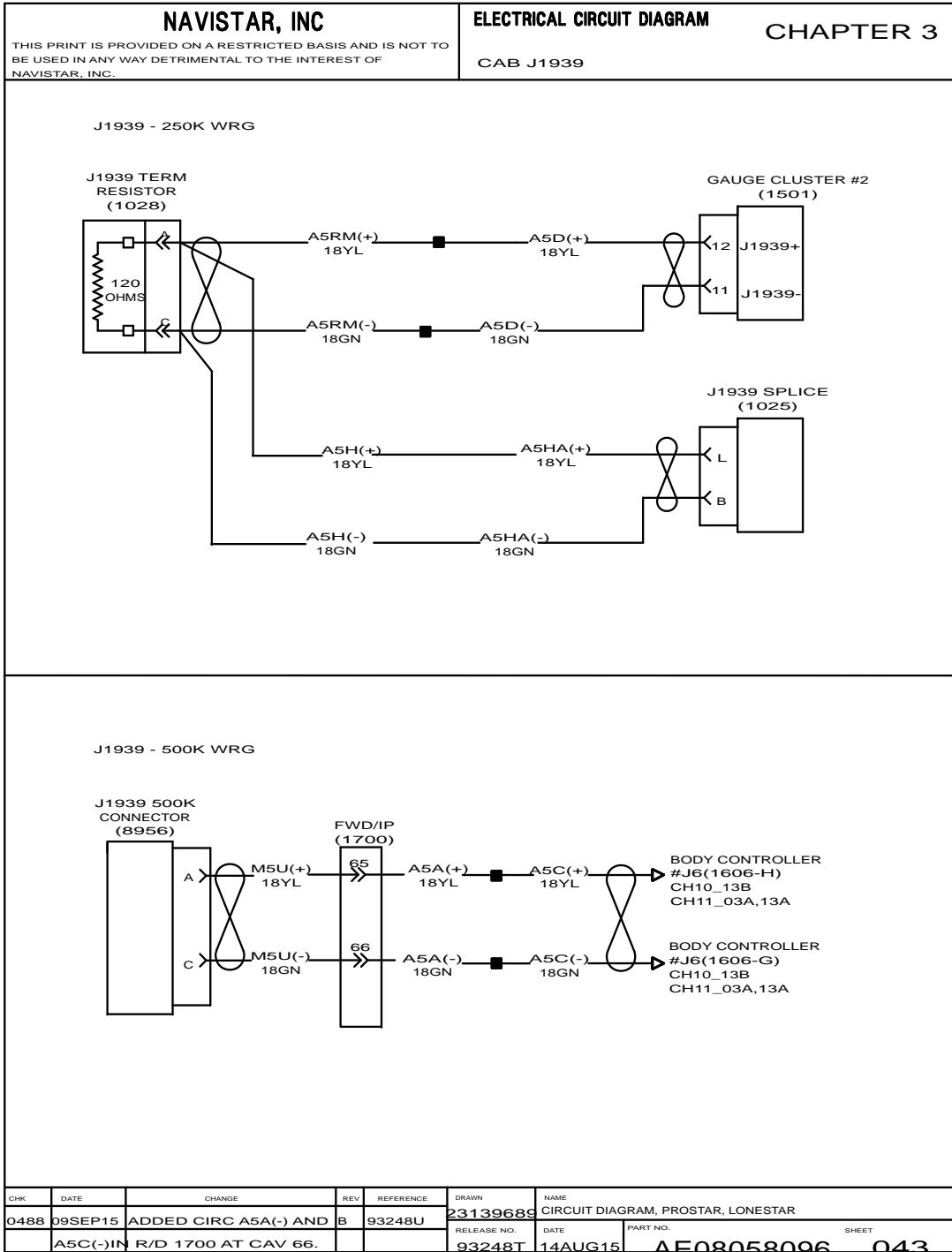


Figure 74 Cab J1939

### CAB ACCESSORIES (CHAPTER 4)

#### 4.1. CB POWER RADIO, P. 1

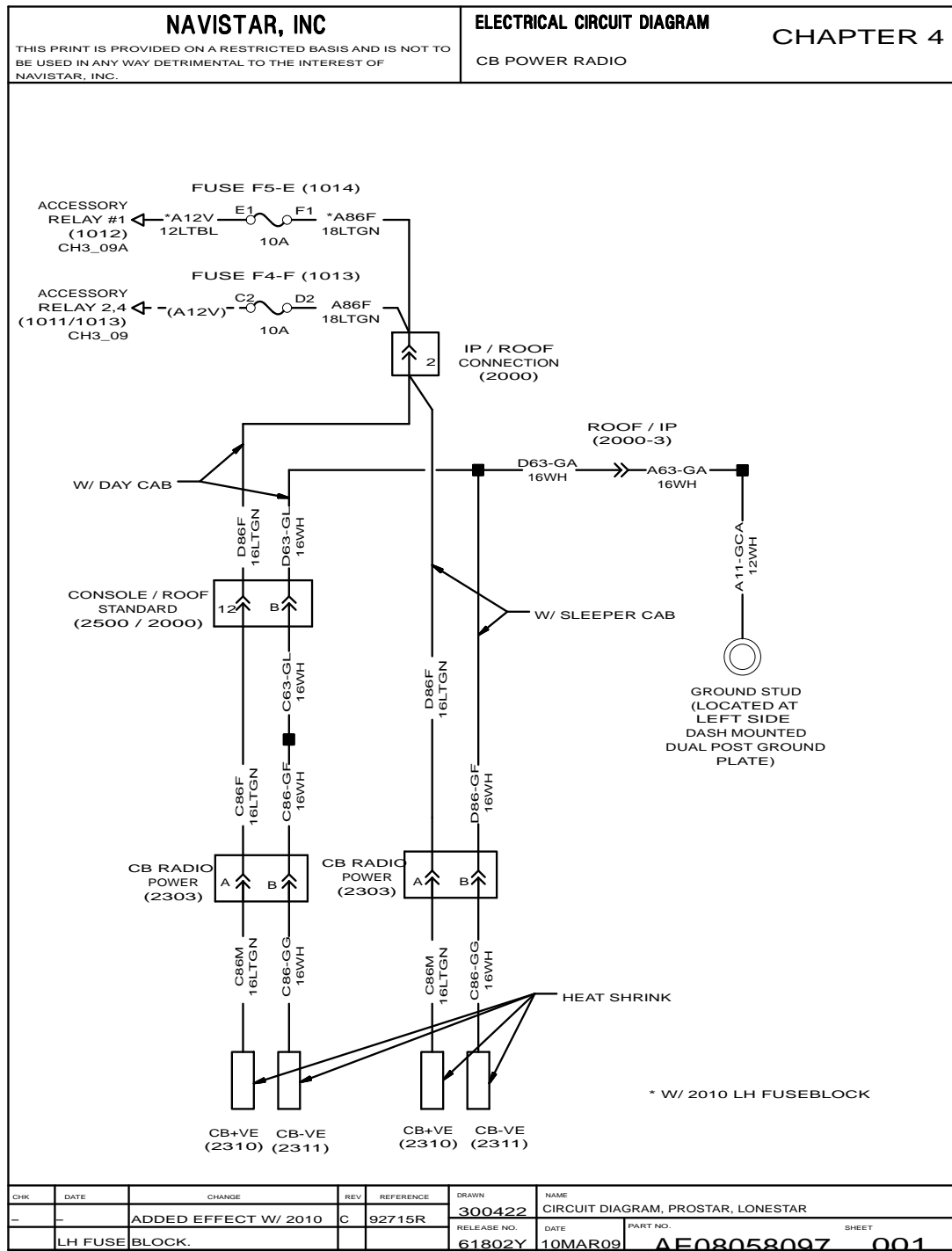


Figure 75 CB Power Radio

4.2. CIGAR LIGHTER, TEMPERATURE DISPLAY AND AUX POWER, P. 2

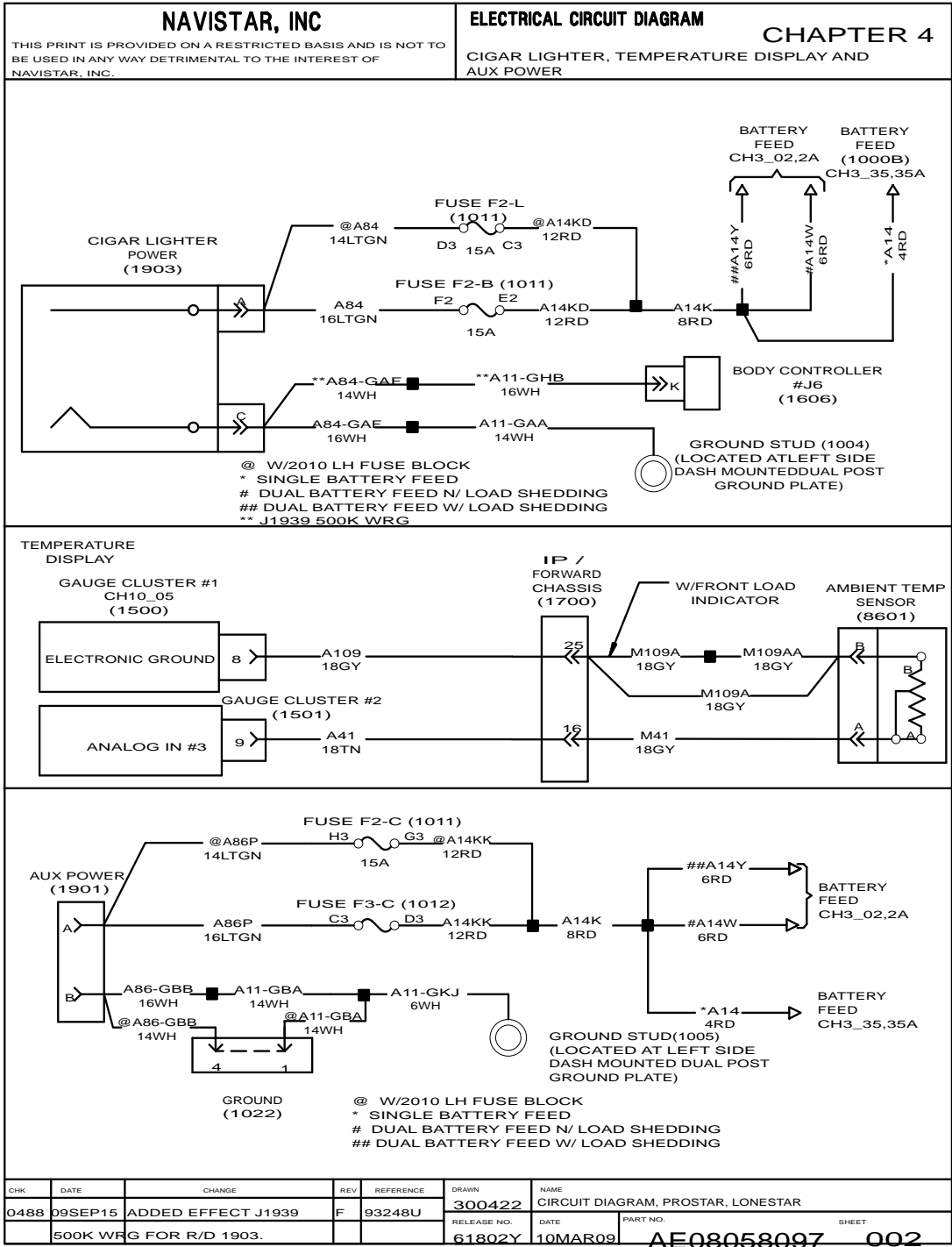


Figure 76 Cigar Lighter, Temperature Display and Aux Power

4.3. ELECTRIC WINDOWS AND DOOR LOCKS, P. 3

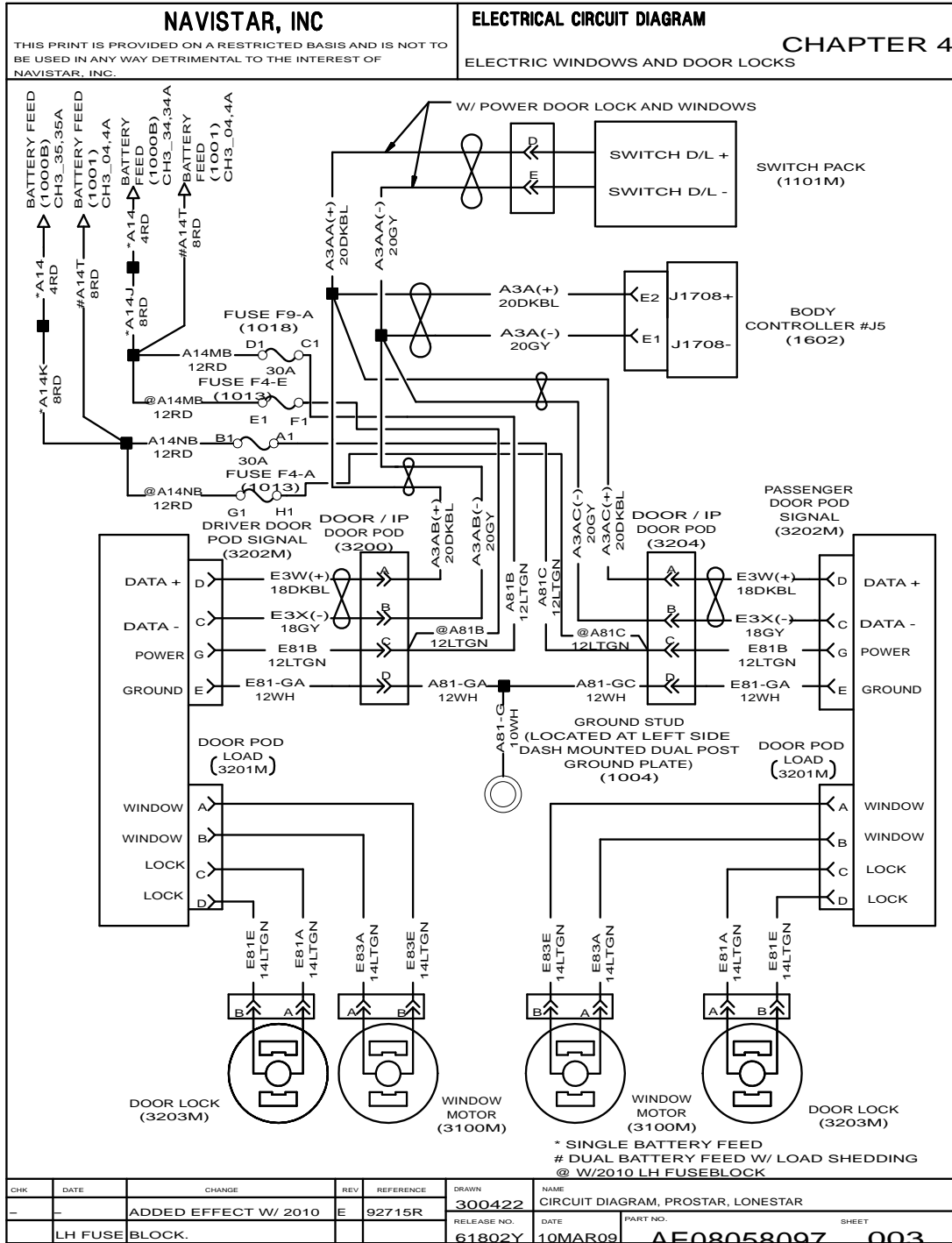


Figure 77 Electric Windows and Door Locks

4.4. ELECTRIC HORN, P. 4

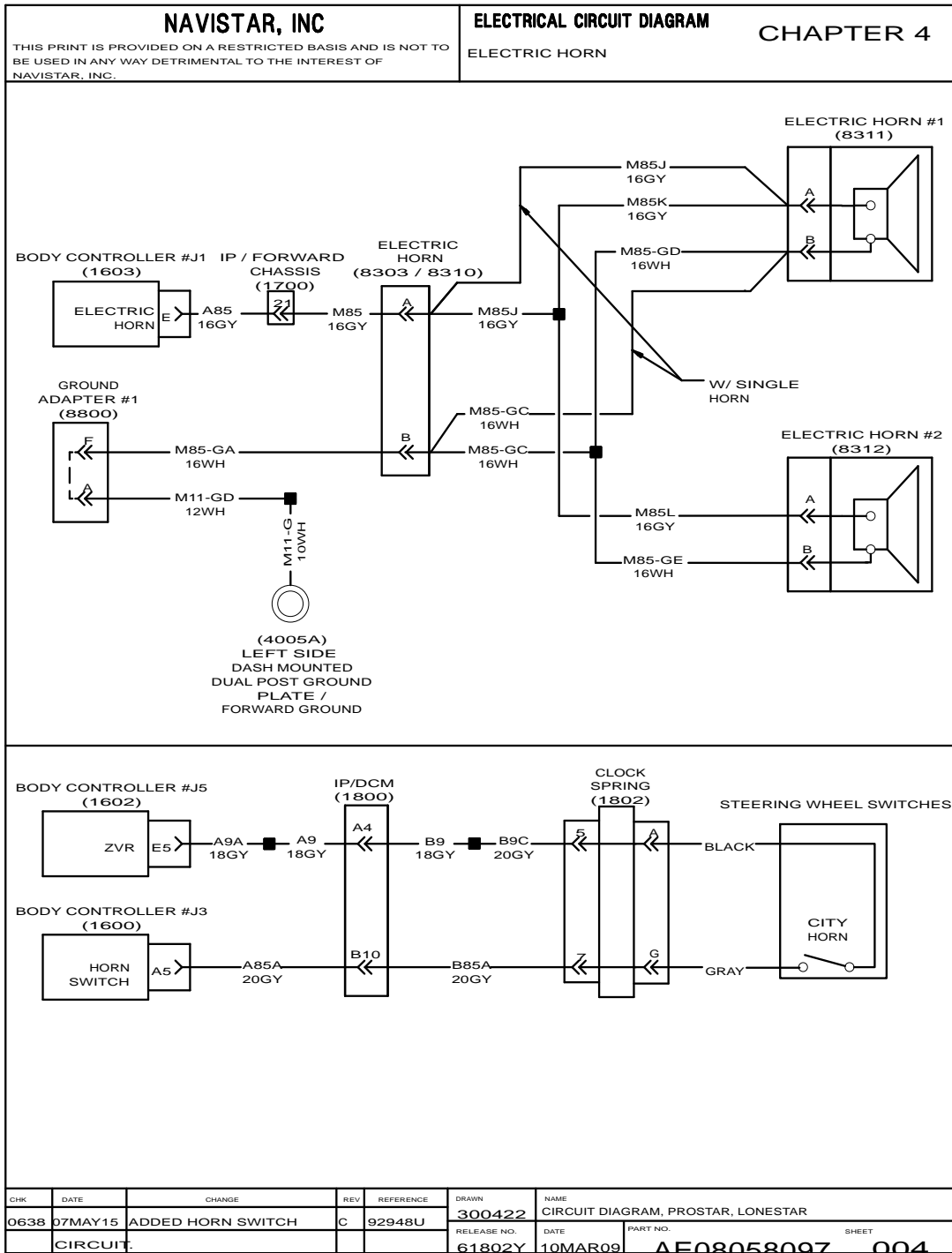


Figure 78 Electric Horn

4.5. AIR HORN, P. 4A

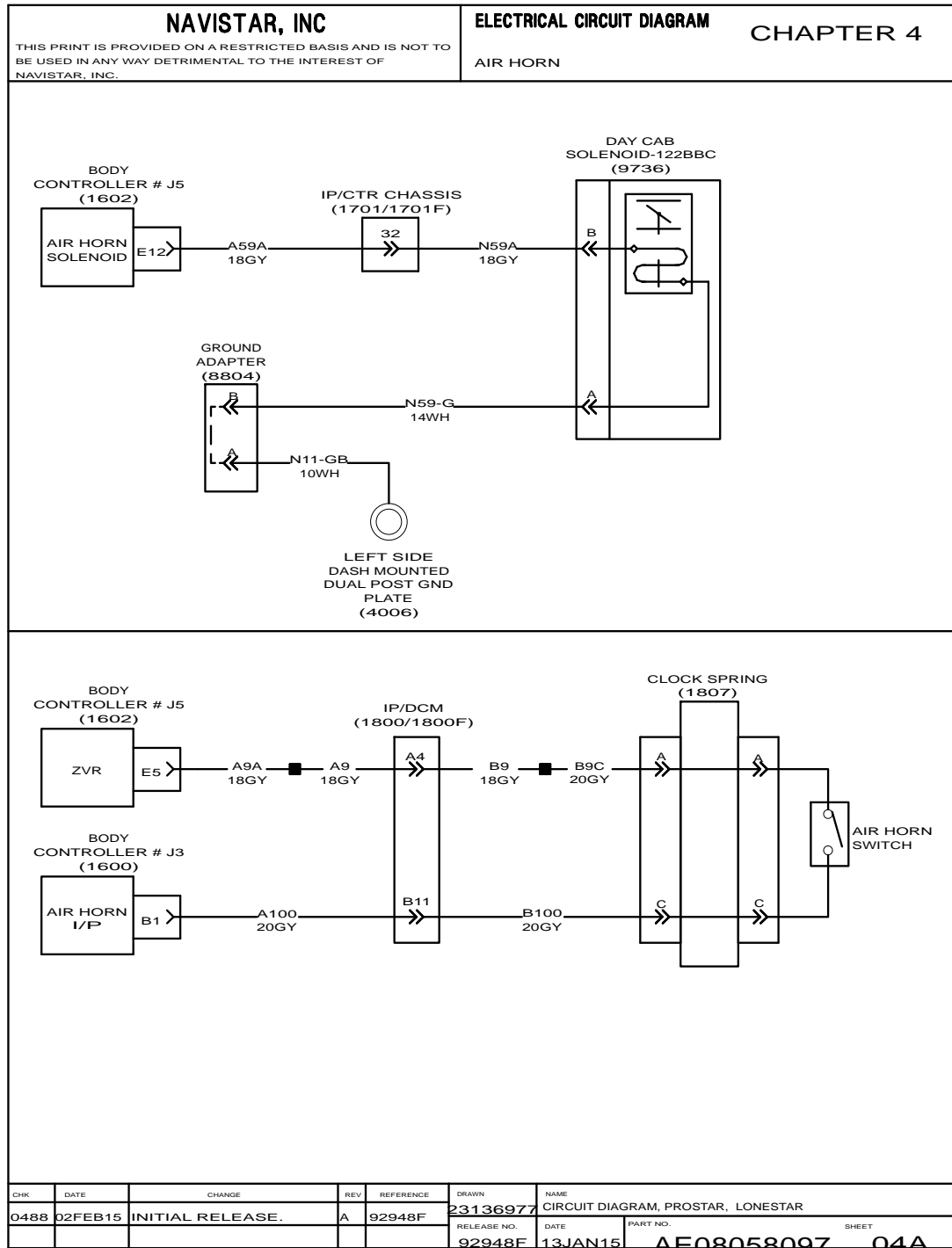


Figure 79 Air Horn

4.6. MIRRORS HEATED AND LIGHTED, P. 5

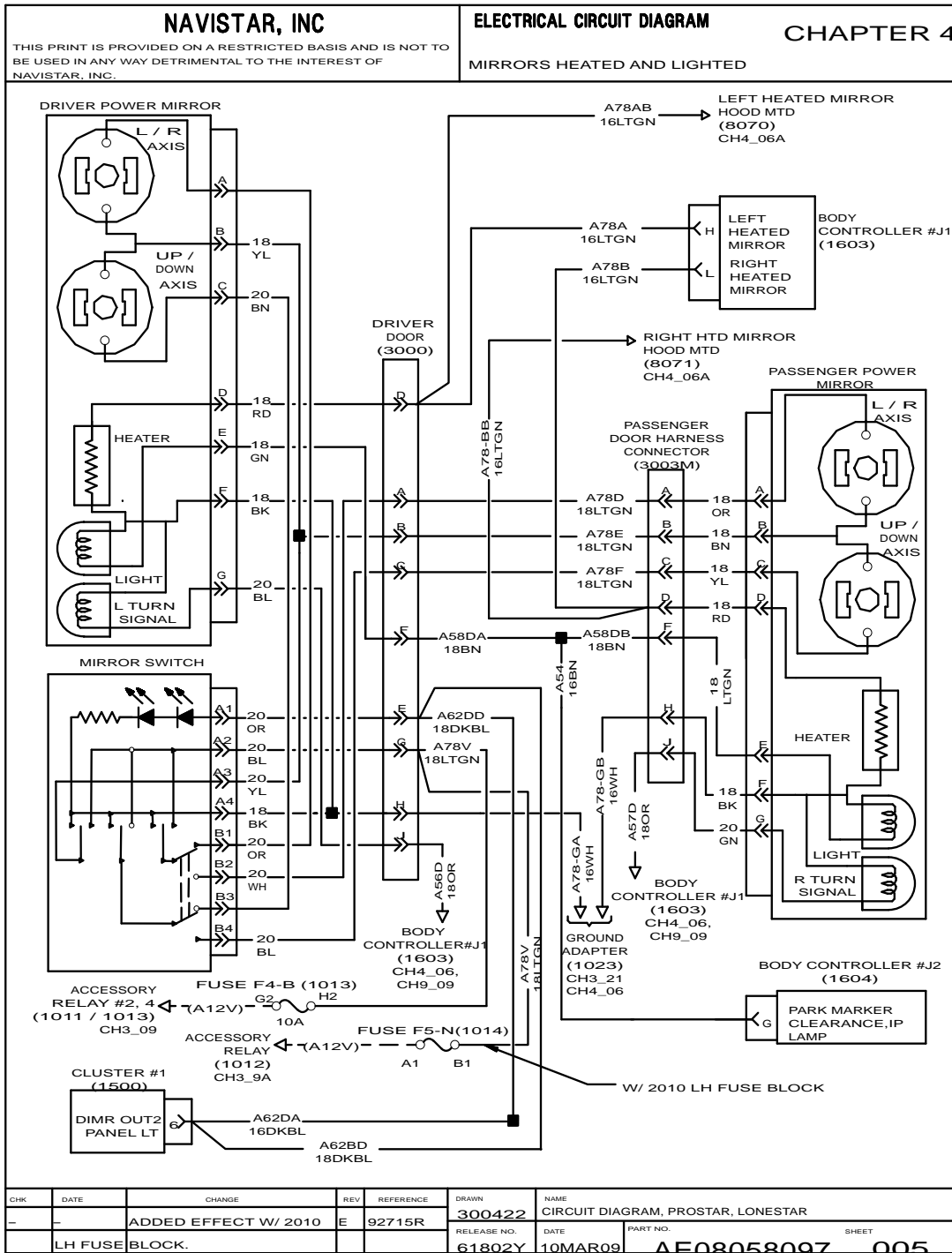


Figure 80 Mirrors Heated and Lighted



4.7. MIRRORS HEATED AND LIGHTED (CONT.), P. 6

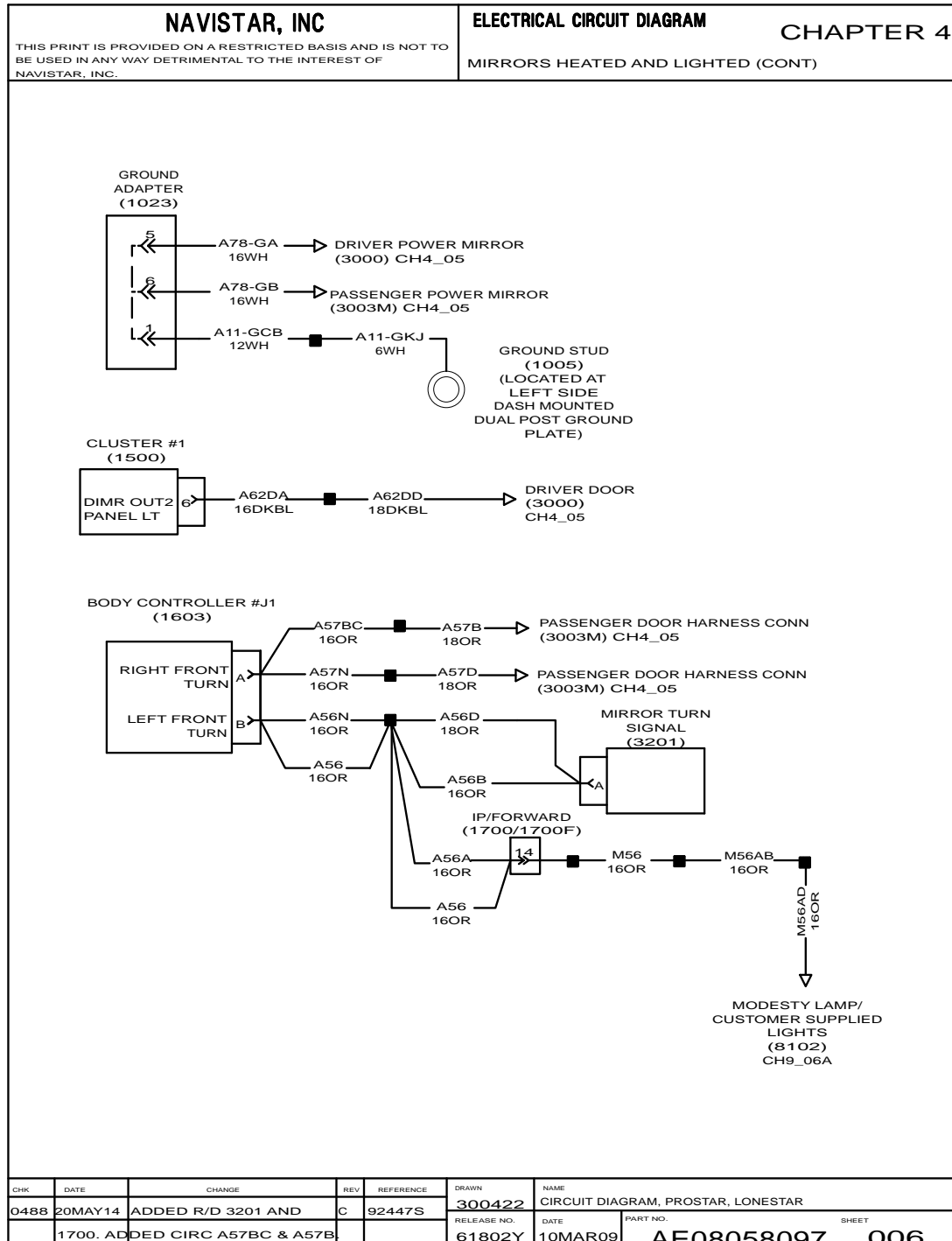


Figure 81 Mirrors Heated and Lighted (Cont.)

4.8. HEATED MIRROR HOOD MOUNTED – ISX ENGINE, P. 6A

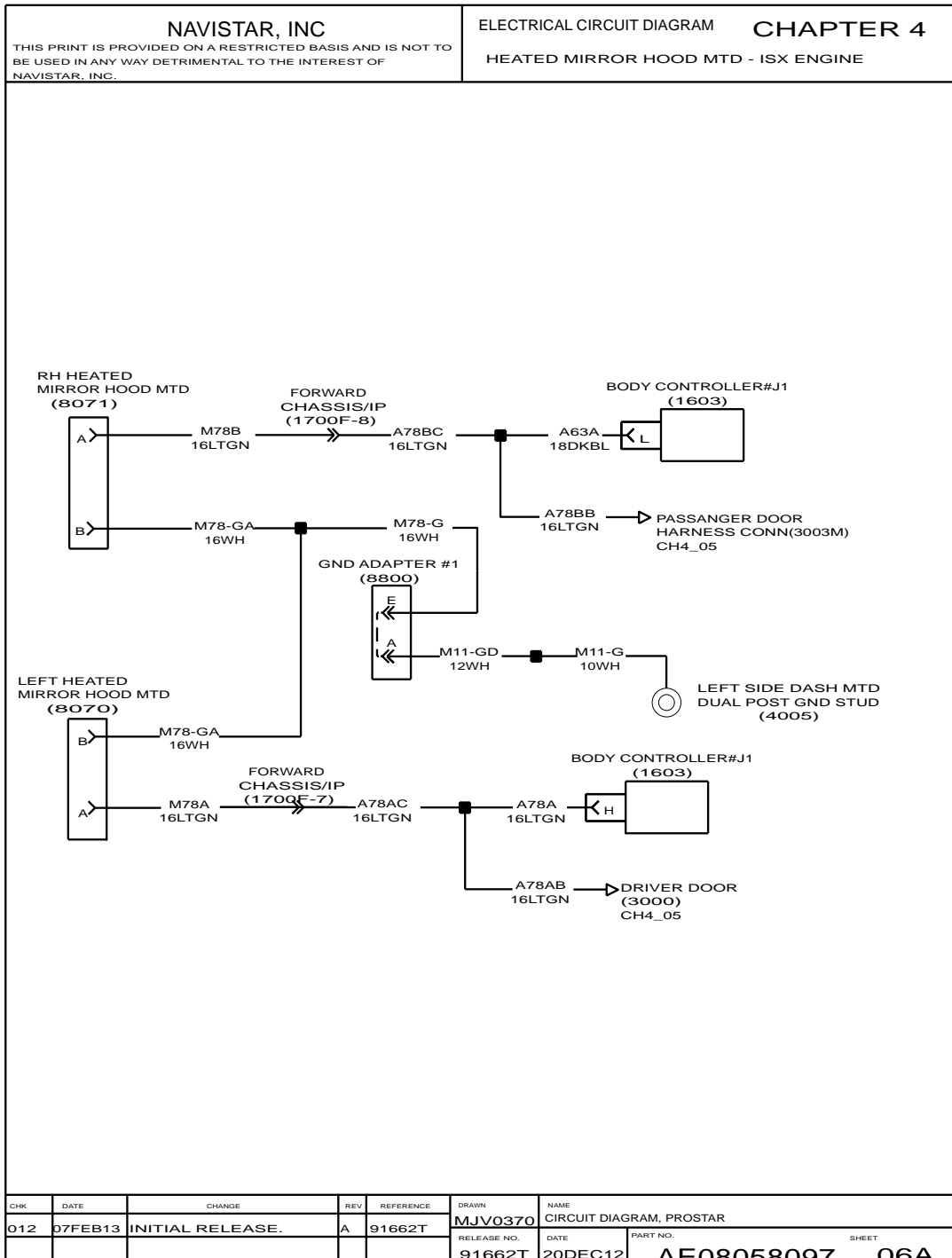


Figure 82 Heated Mirror Hood Mounted – ISX Engine

4.9. INTENTIONALLY LEFT BLANK, P. 7

<b>NAVISTAR, INC</b>				<b>ELECTRICAL CIRCUIT DIAGRAM</b>		<b>CHAPTER 4</b>	
THIS PRINT IS PROVIDED ON A RESTRICTED BASIS AND IS NOT TO BE USED IN ANY WAY DETRIMENTAL TO THE INTEREST OF NAVISTAR, INC.				INTENTIONALLY LEFT BLANK			
<b>INTENTIONALLY LEFT BLANK</b>							
CHK	DATE	CHANGE	REV	REFERENCE	DRAWN	NAME	
					RELEASE NO.	DATE	PART NO. SHEET

Figure 83 Intentionally Left Blank

4.10. SATELLITE COMMUNICATION SYSTEM – QUALCOMM TERRESTRIAL MOBILE COMMUNICATIONS TERMINAL DAYCAB, P. 8

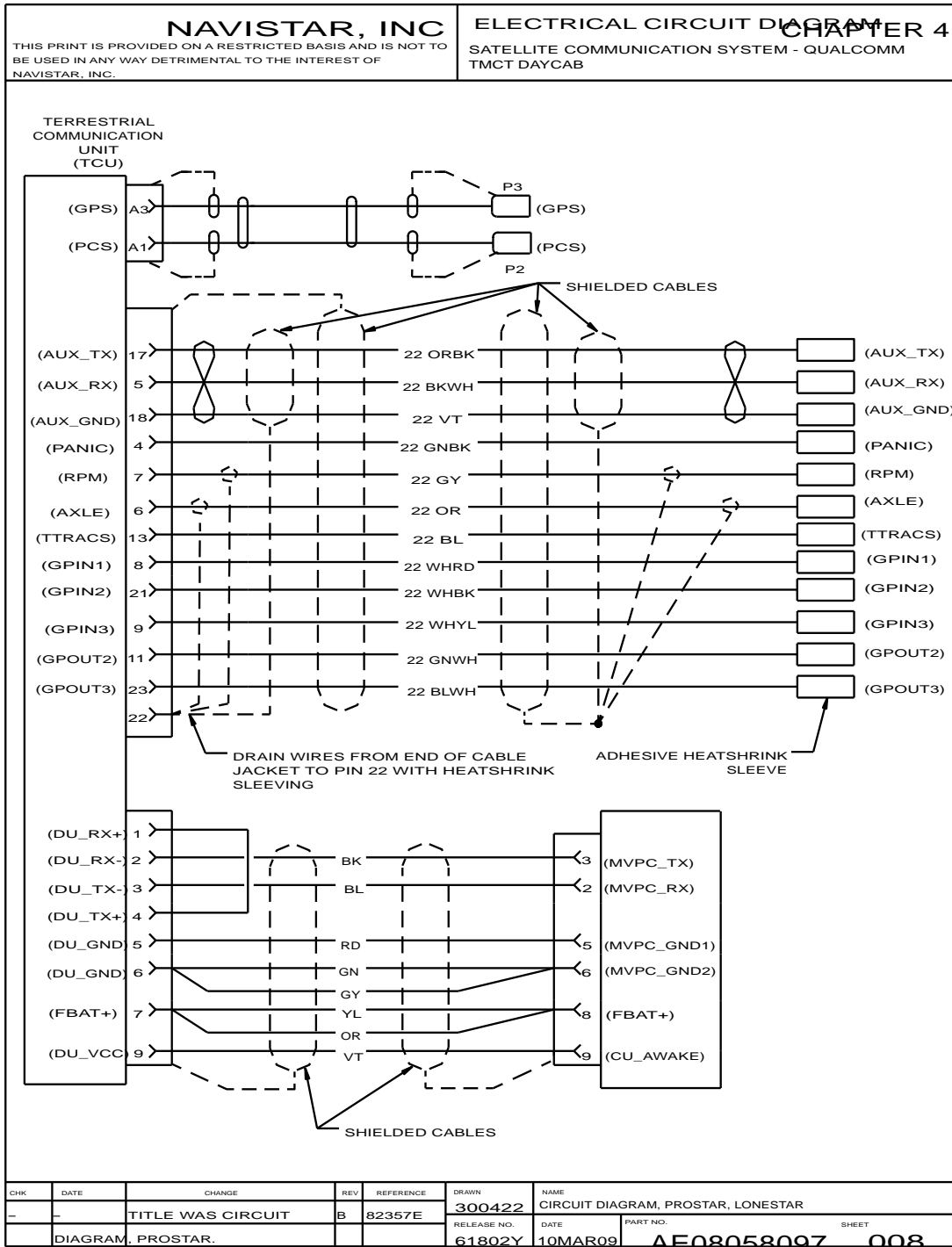


Figure 84 Satellite Communication System – Qualcomm Terrestrial Mobile Communications Terminal Daycab

4.11. SATELLITE COMMUNICATION SYSTEM – QUALCOMM TERRESTRIAL MOBILE COMMUNICATIONS TERMINAL DAYCAB (CONT.), P. 9

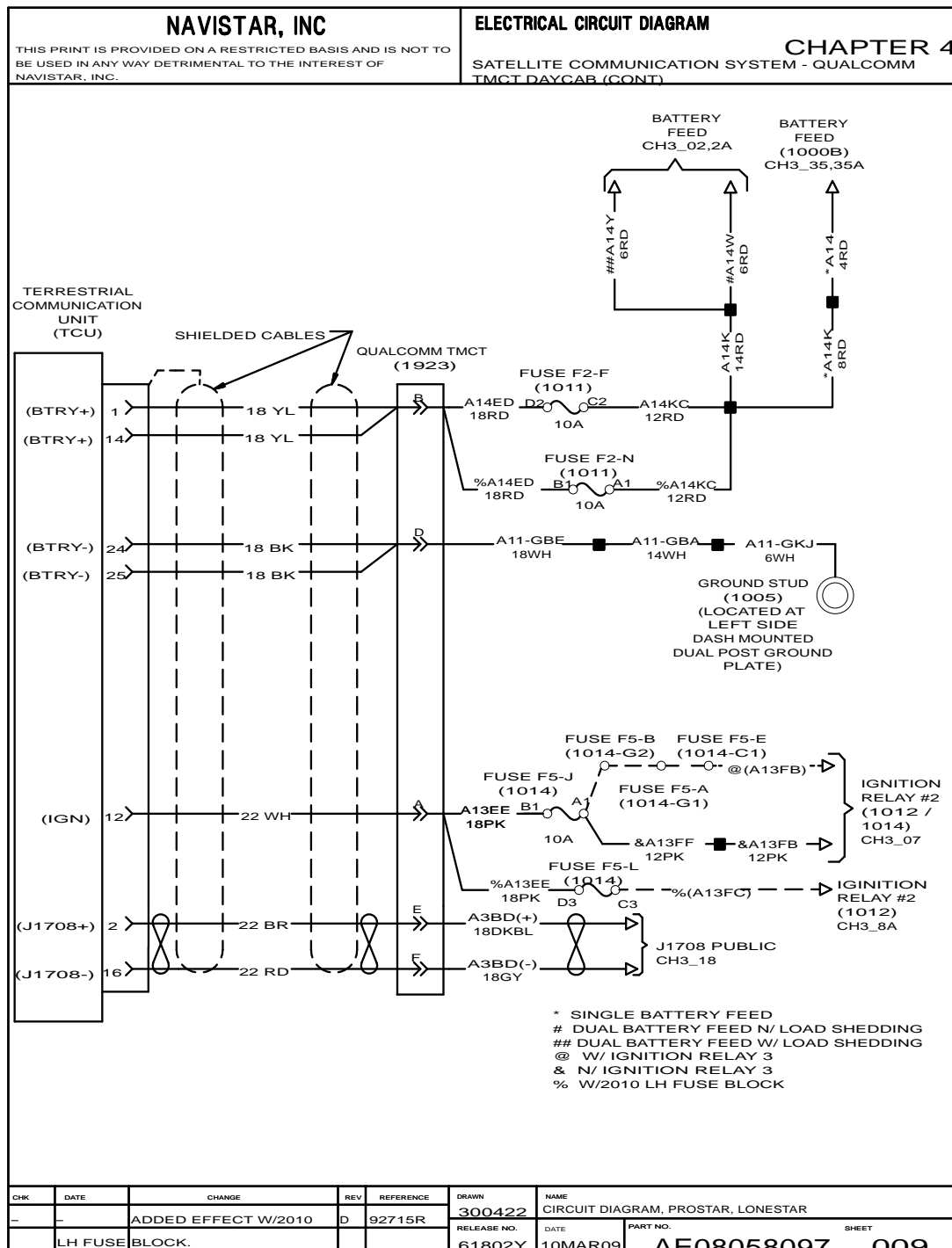


Figure 85 Satellite Communication System – Qualcomm Terrestrial Mobile Communications Terminal Daycab (Cont.)

4.12. SATELLITE COMMUNICATION SYSTEM – QUALCOMM TERRESTRIAL MOBILE COMMUNICATIONS TERMINAL SLEEPER, P. 10

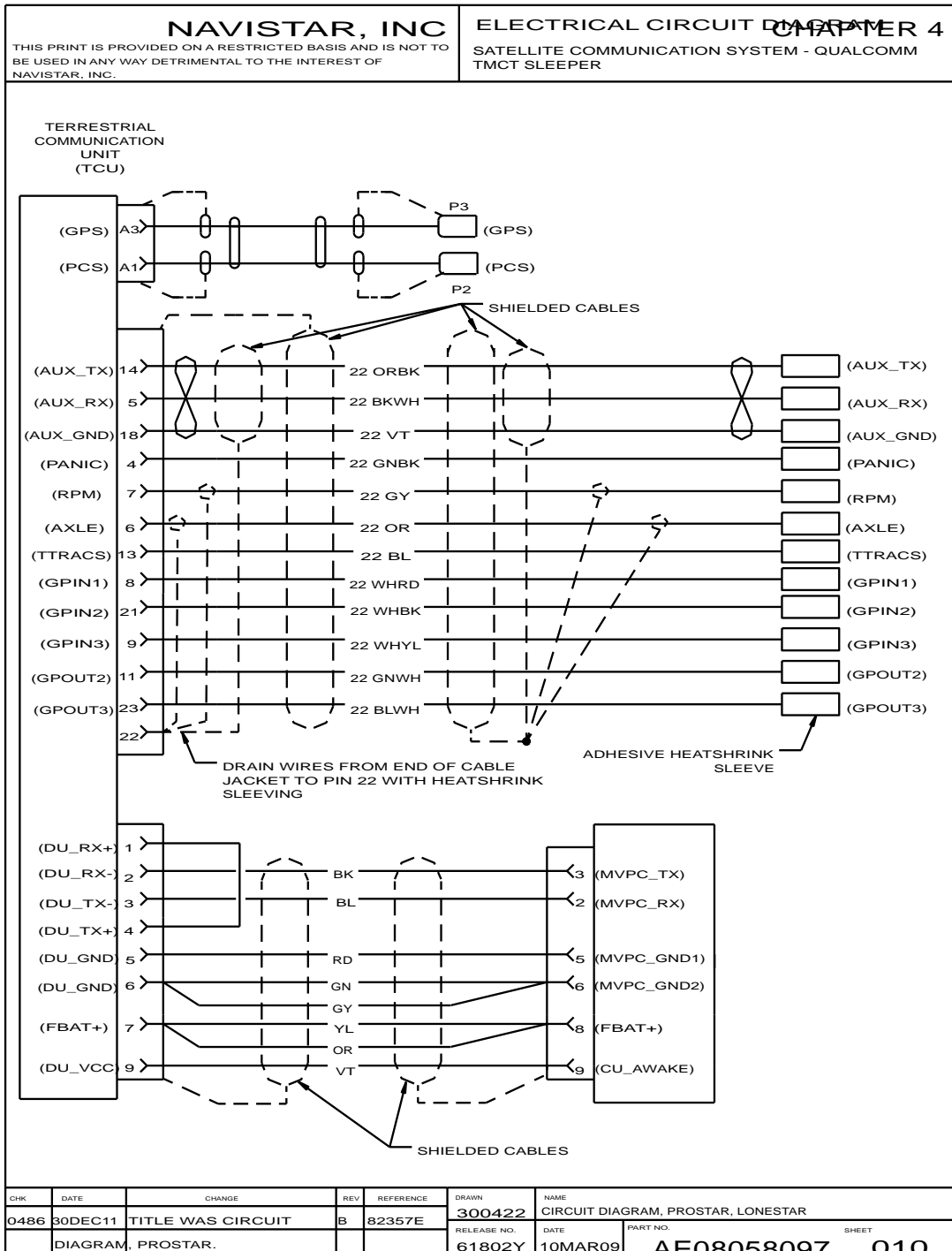


Figure 86 Satellite Communication System – Qualcomm Terrestrial Mobile Communications Terminal Sleeper

4.13. SATELLITE COMMUNICATION SYSTEM – QUALCOMM TERRESTRIAL MOBILE COMMUNICATIONS TERMINAL SLEEPER (CONT.), P. 11

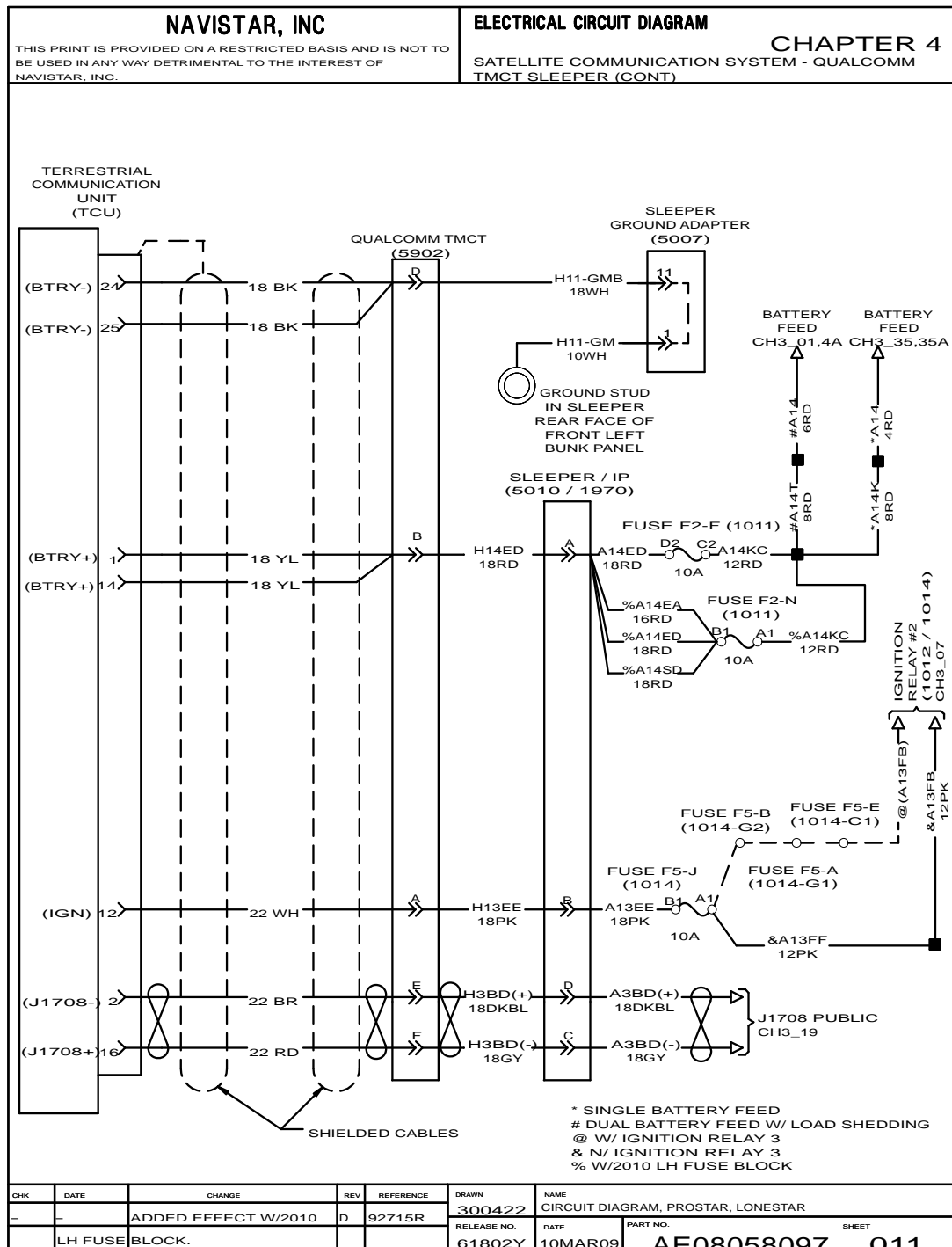


Figure 87 Satellite Communication System – Qualcomm Terrestrial Mobile Communications Terminal SLEEPER (Cont.)

4.14. SATELLITE COMMUNICATION SYSTEM – QUALCOMM INTEGRATED MOBILE COMMUNICATIONS TERMINAL, P. 12

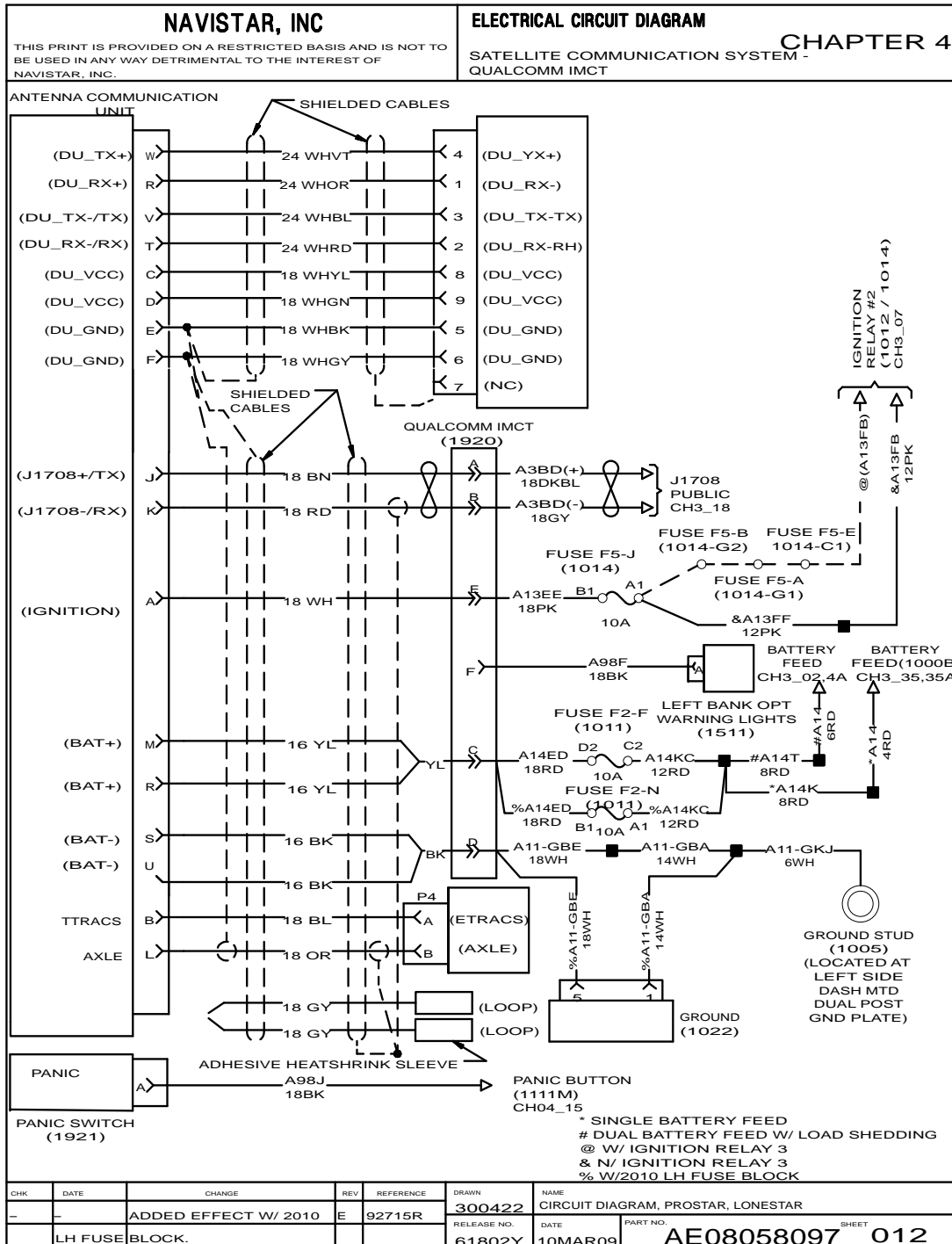
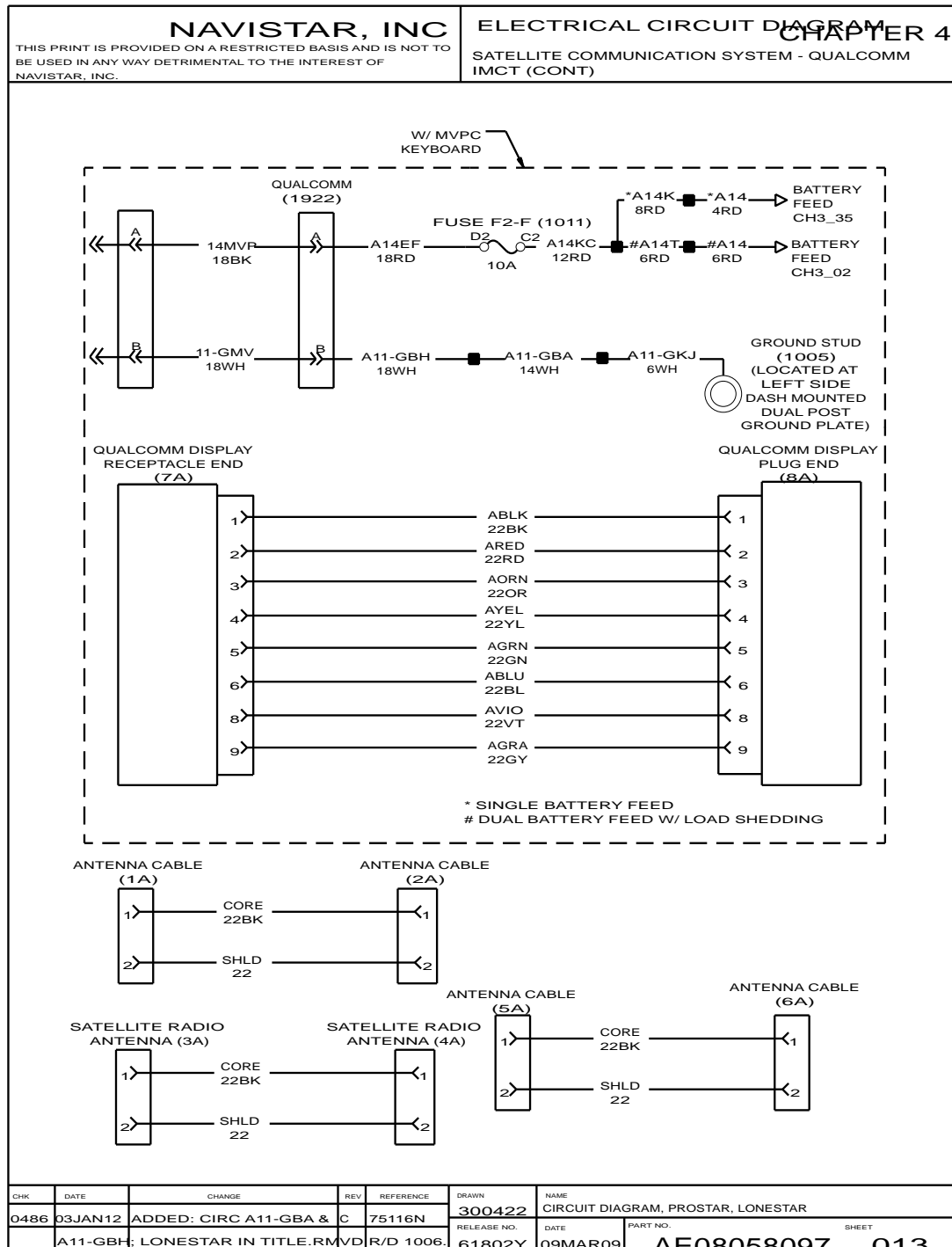


Figure 88 Satellite Communication System – Qualcomm Integrated Mobile Communications Terminal



4.15. SATELLITE COMMUNICATION SYSTEM – QUALCOMM INTEGRATED MOBILE COMMUNICATIONS TERMINAL (CONT.), P. 13



4.16. SATELLITE COMMUNICATION SYSTEM – QUALCOMM INTEGRATED MOBILE COMMUNICATIONS TERMINAL (CONT.), P. 13A

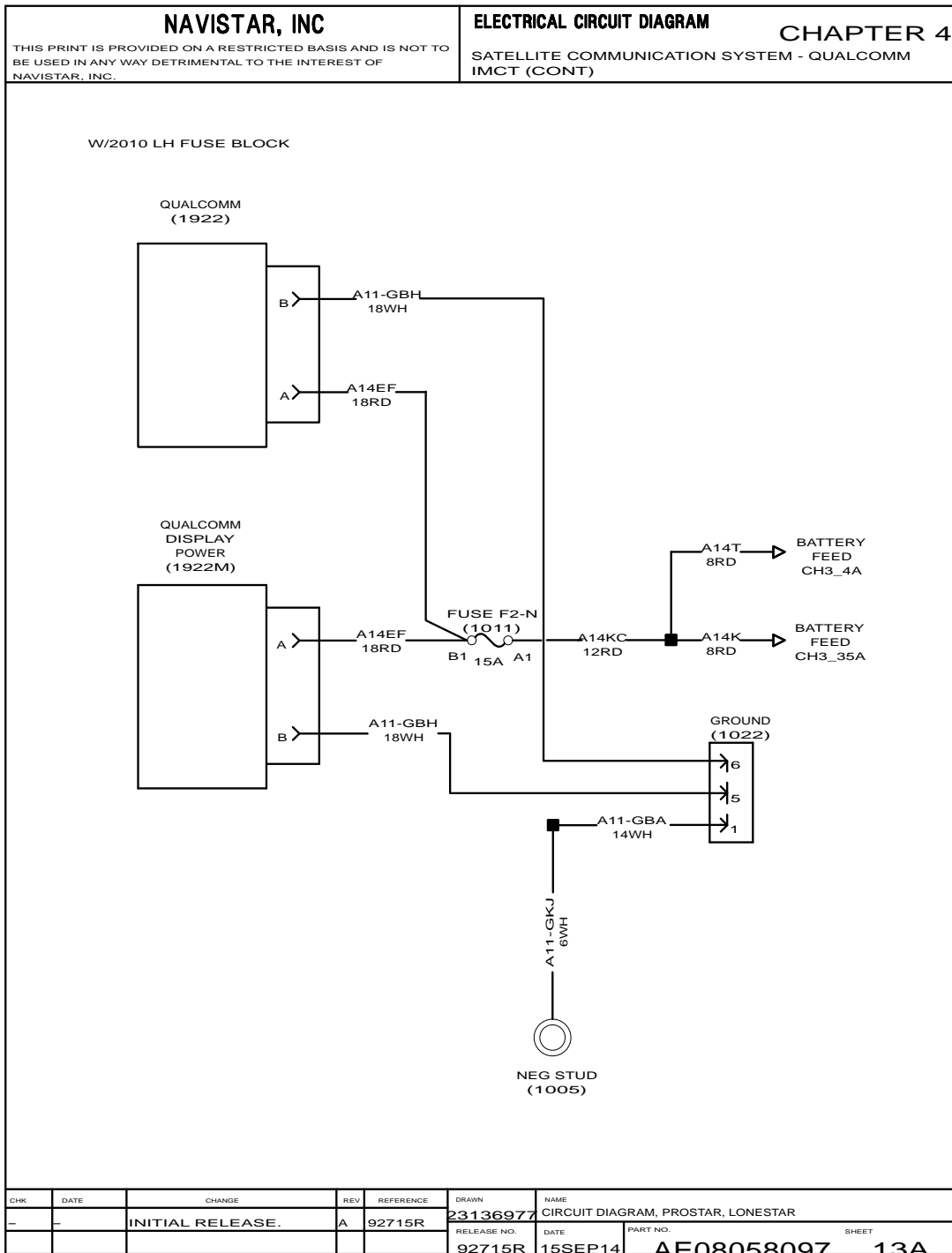


Figure 90 Satellite Communication System – Qualcomm Integrated Mobile Communications Terminal (Cont.)

4.17. QUALCOMM INTEGRATED MOBILE COMMUNICATIONS TERMINAL – SLEEPER, P. 14

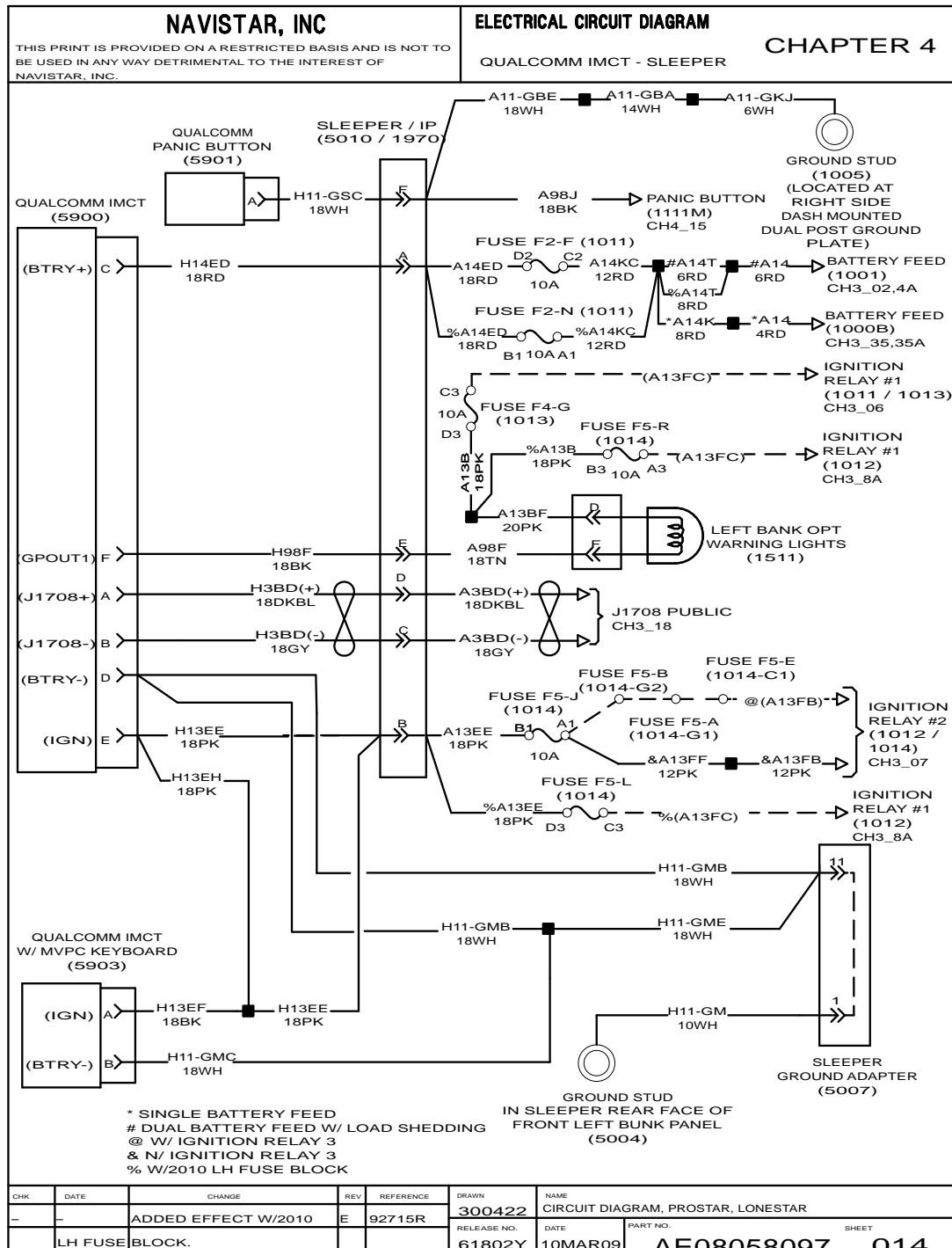


Figure 91 Qualcomm Integrated Mobile Communications Terminal – Sleeper

4.18. COMMUNICATIONS SYSTEM, WIRING, P. 14A

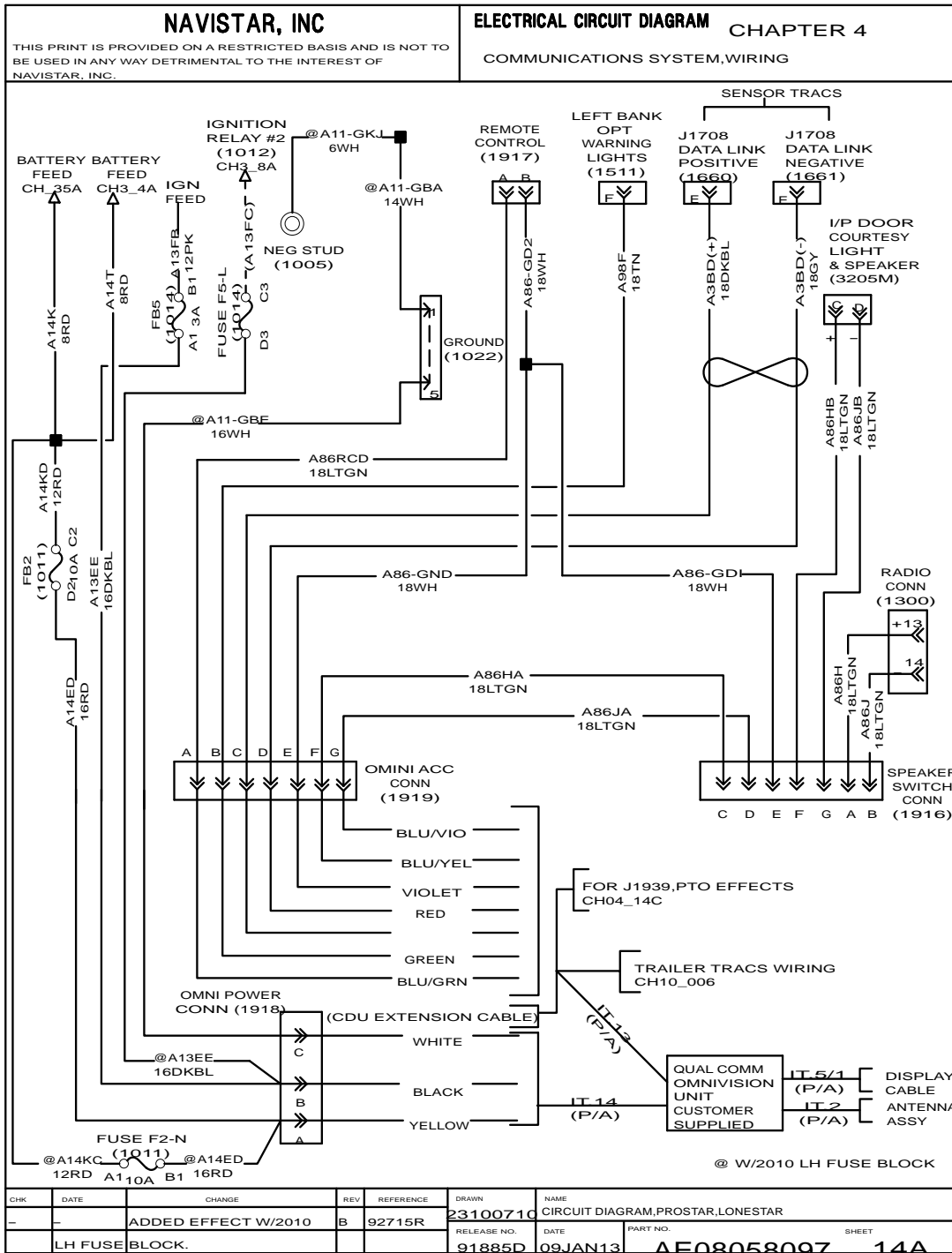


Figure 92 Communications System, Wiring



4.20. COMMUNICATIONS SYSTEM, WIRING (CONT.), P. 14C

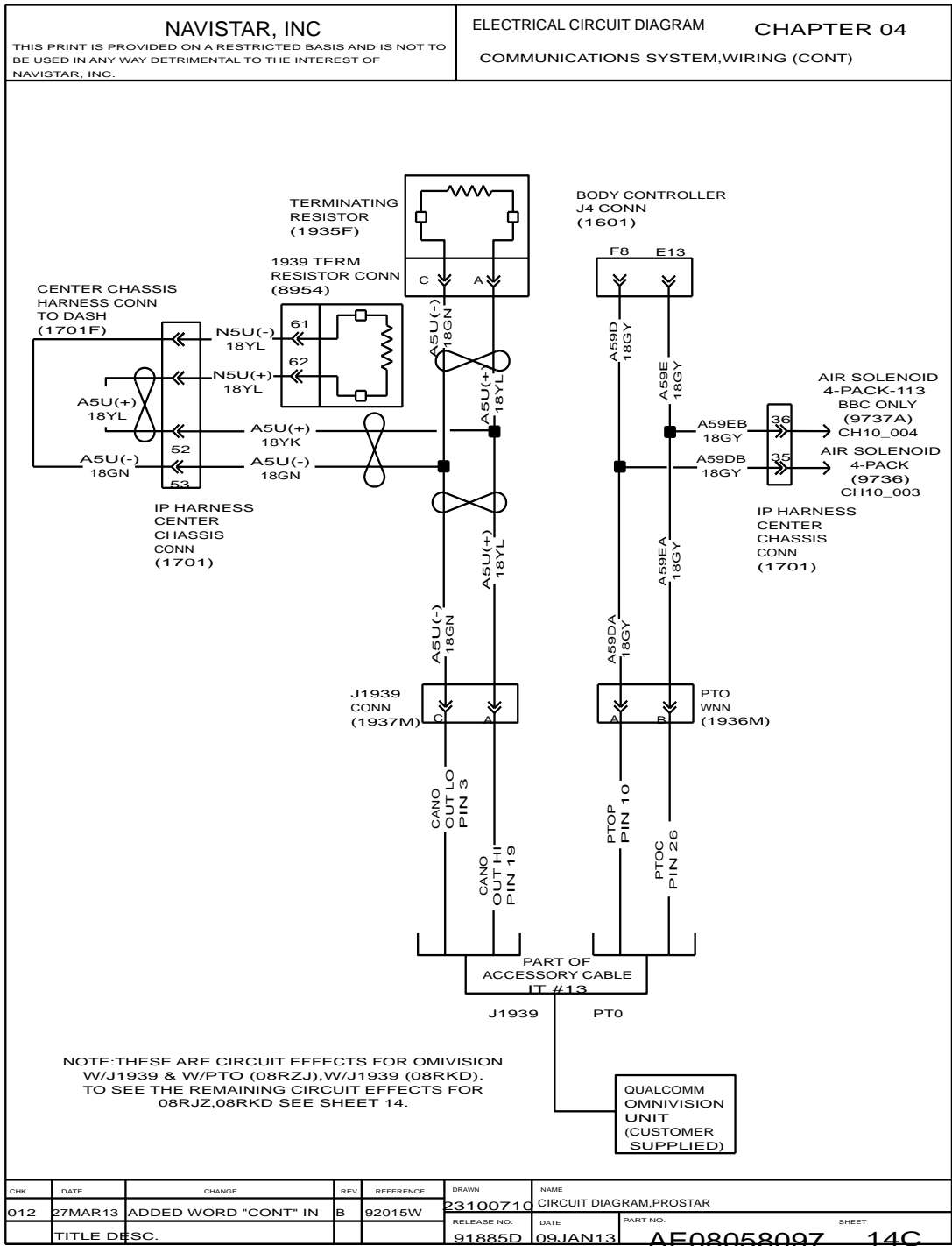


Figure 94 Communications System, Wiring (Cont.)

4.21. PANIC BUTTON, P. 15

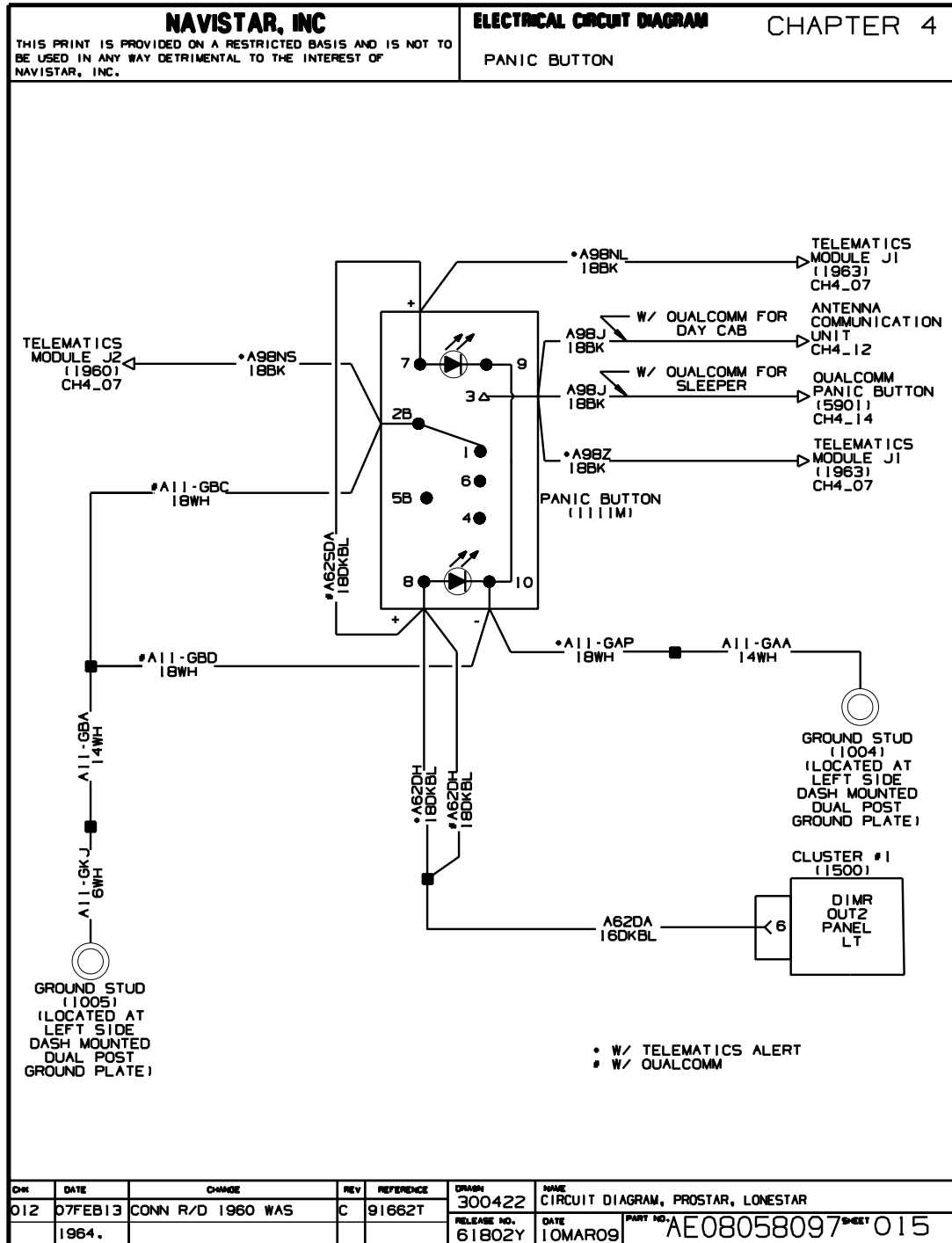


Figure 95 Panic Button





4.23. SATELLITE COMMUNICATION SYSTEM – XATA WITH SLEEPER, P. 17

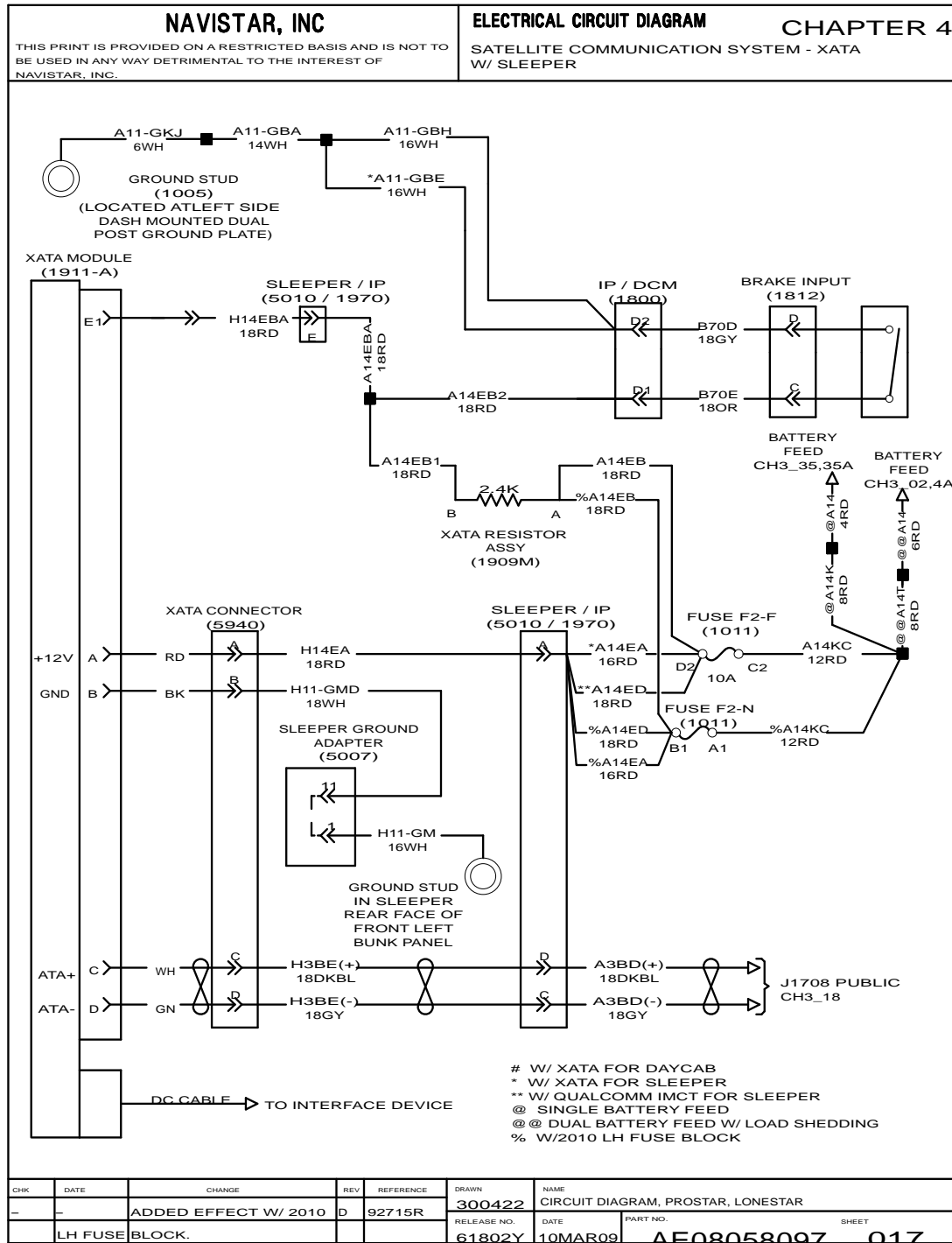


Figure 97 Satellite Communication System – Xata with Sleeper

4.24. RADIO ENTERTAINMENT, SPEAKERS, P. 18

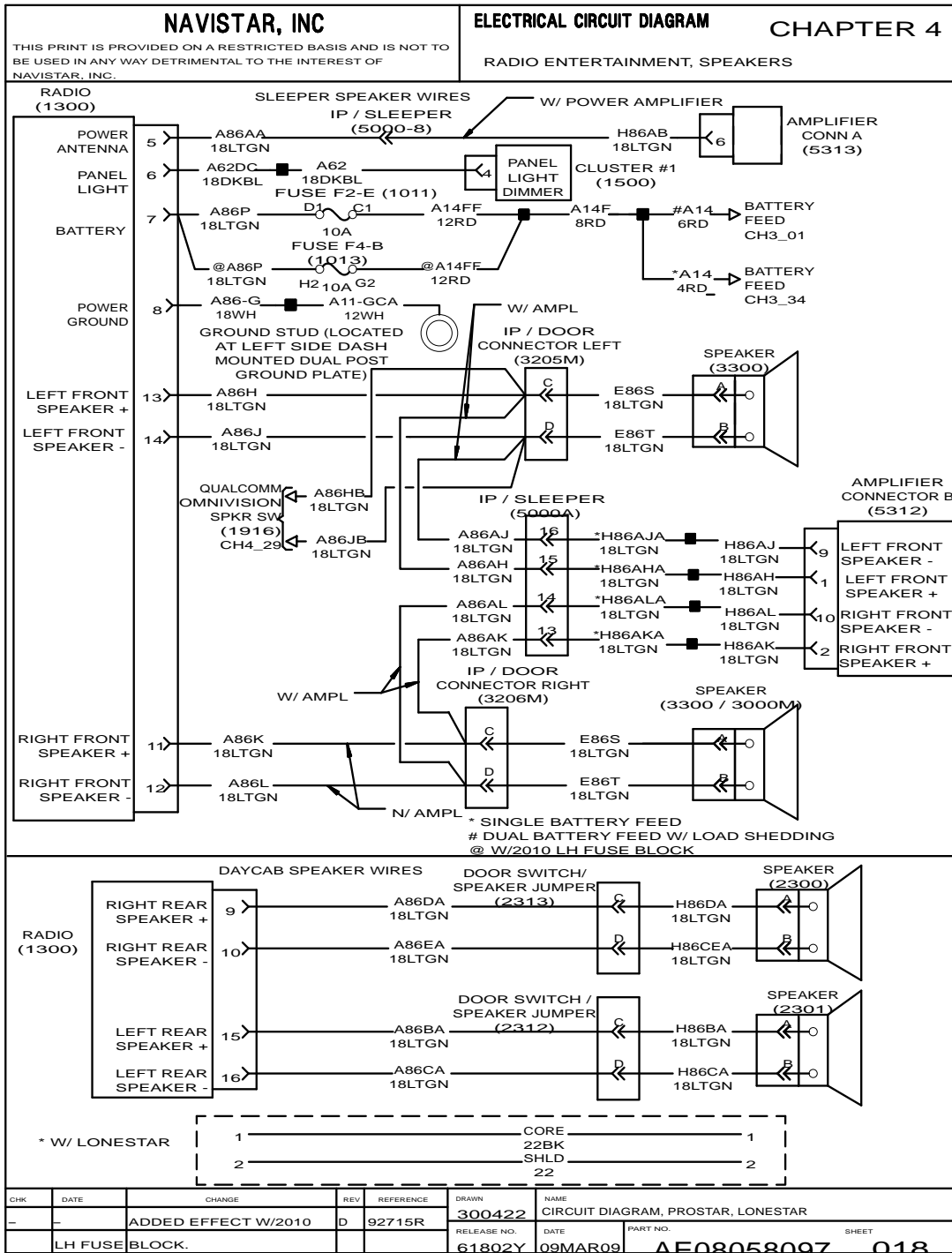


Figure 98 Radio Entertainment, Speakers

4.25. RADIO ENTERTAINMENT, SPEAKERS (CONT.), P. 19

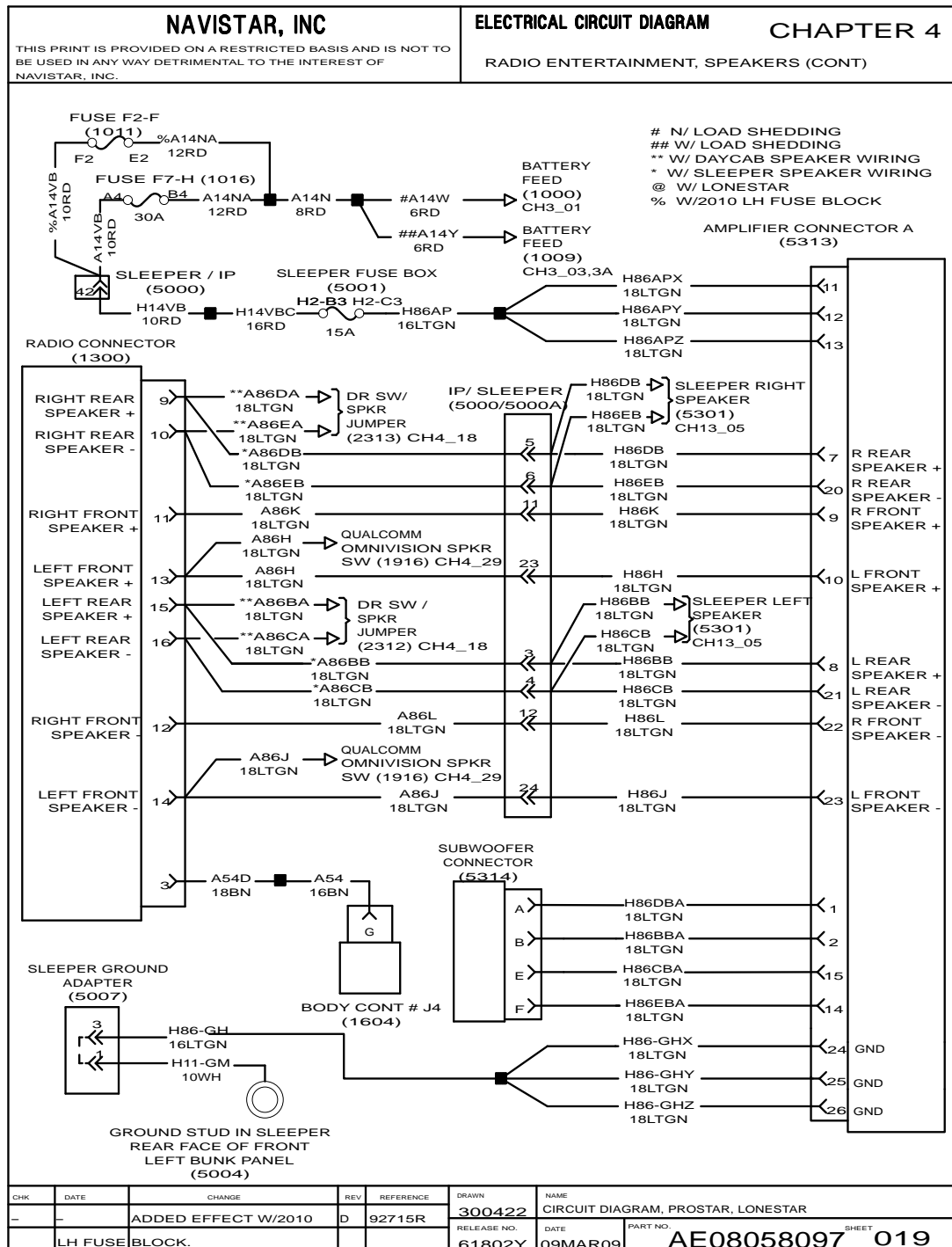


Figure 99 Radio Entertainment, Speakers (Cont.)

4.26. RADIO ENTERTAINMENT, SPEAKERS (CONT.), P. 19A

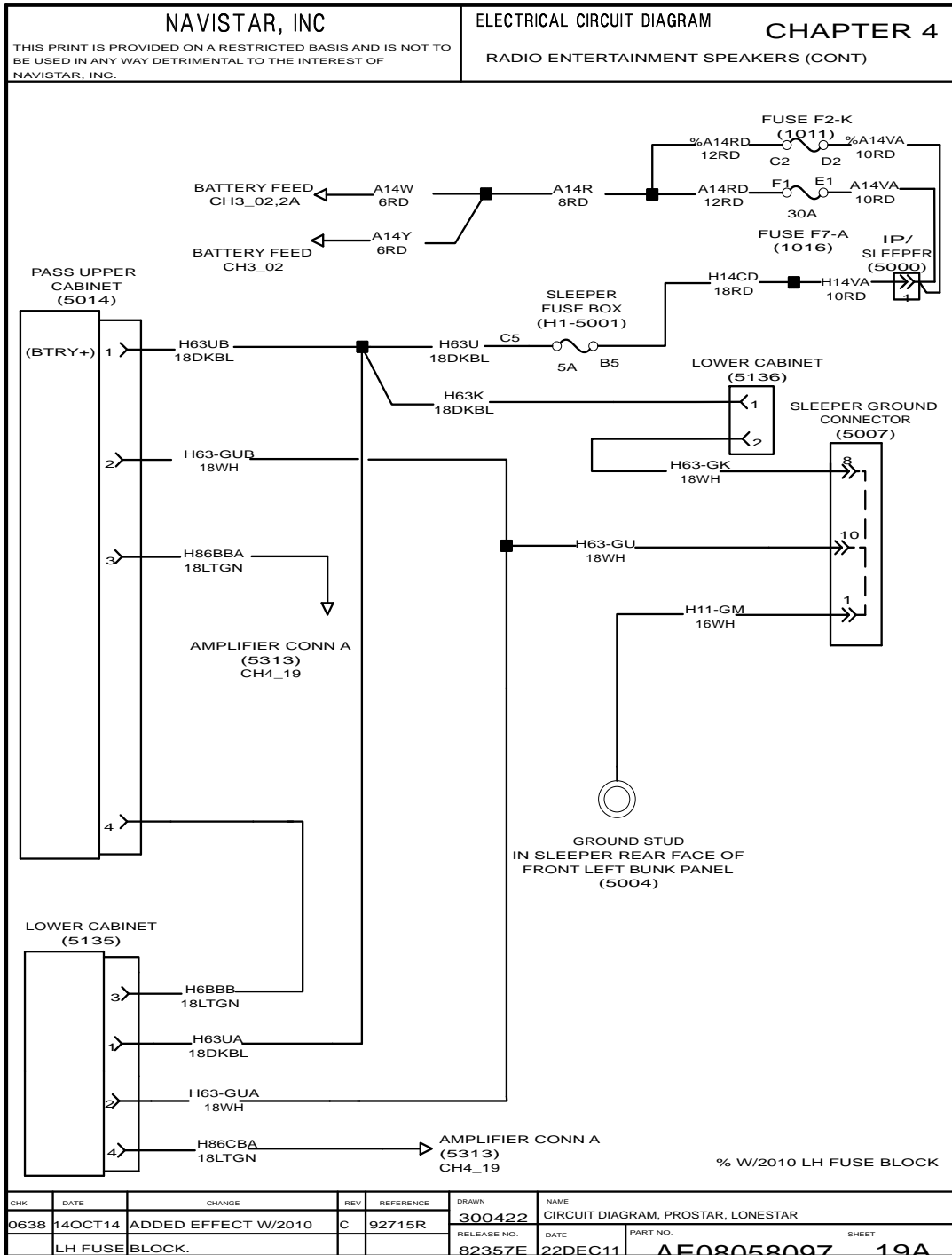


Figure 100 Radio Entertainment, Speakers (Cont.)

4.27. RADIO ENTERTAINMENT, SPEAKERS (CONT.), P. 19B

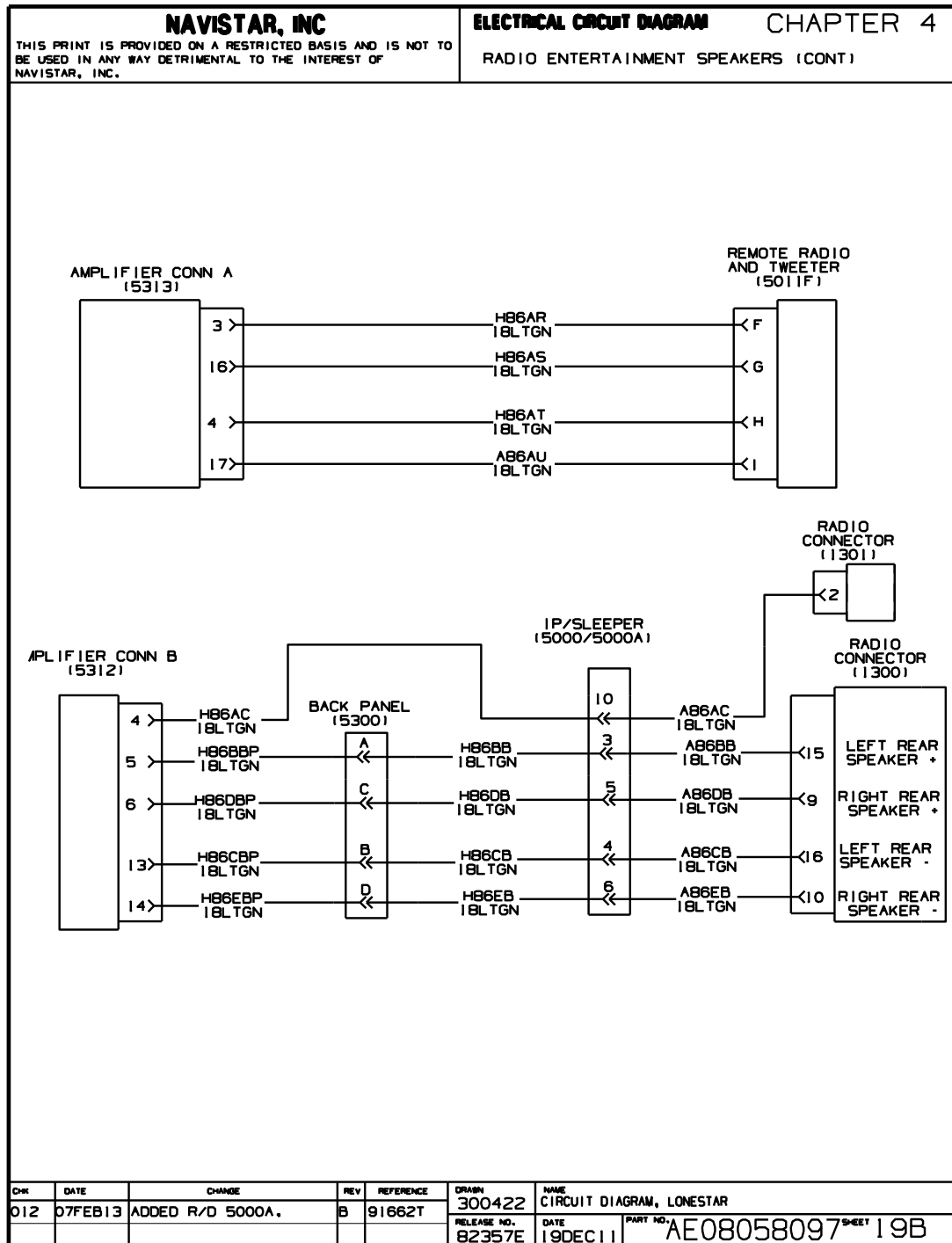


Figure 101 Radio Entertainment, Speakers (Cont.)

4.28. SWITCH PACK, P. 20

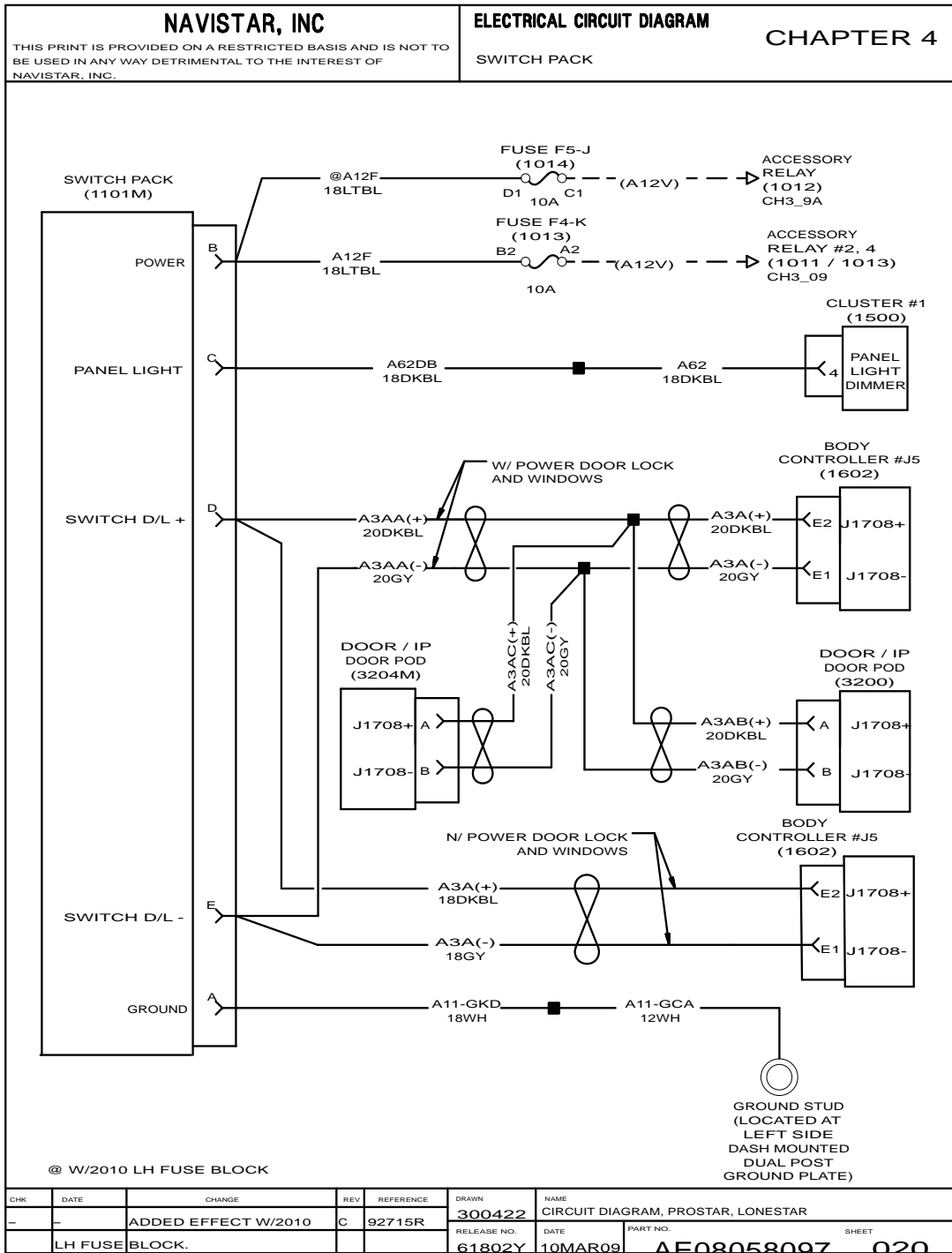


Figure 102 Switch Pack

4.29. WINDSHIELD WIPER MOTOR, P. 21

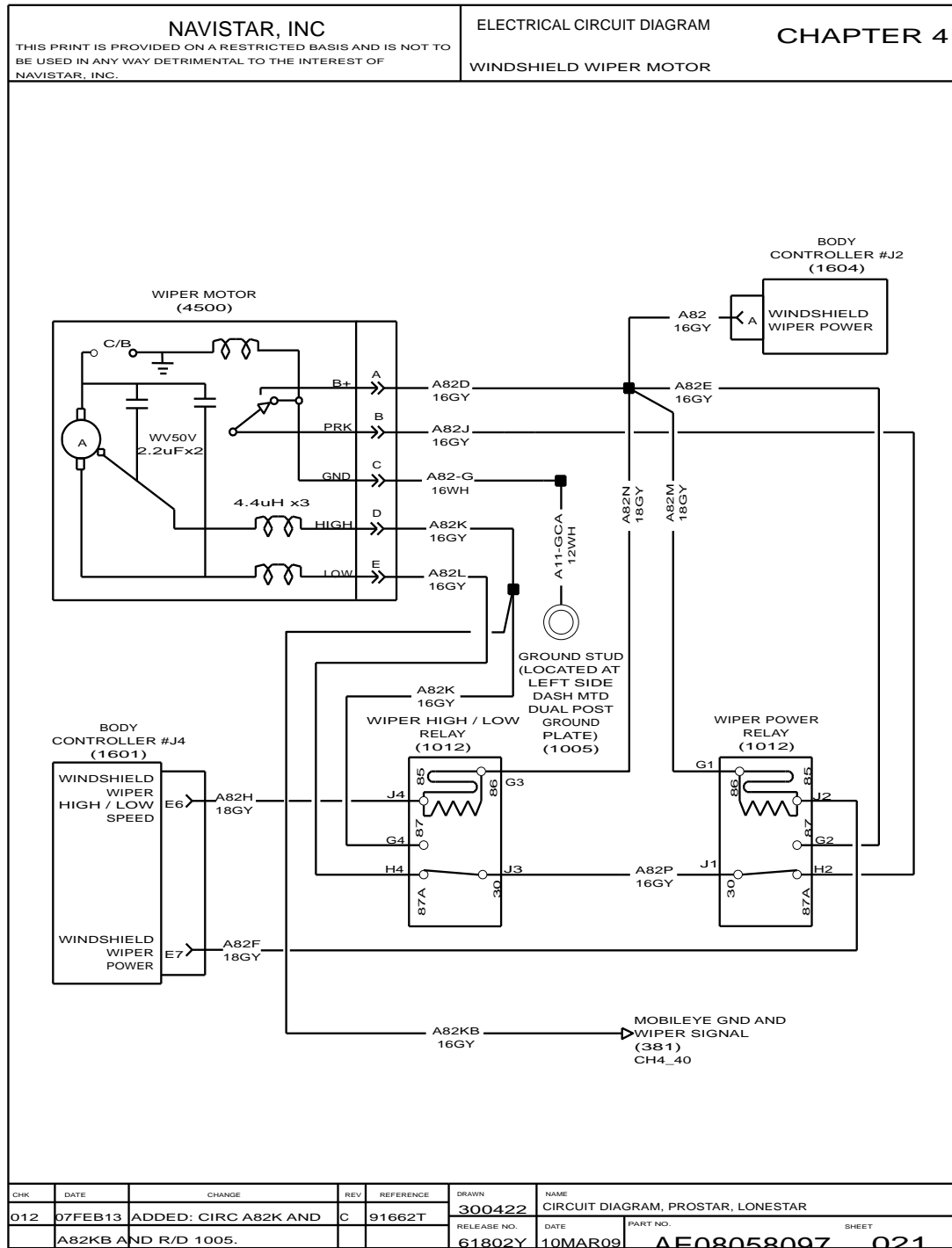


Figure 103 Windshield Wiper Motor

4.30. WINDSHIELD WIPER MOTOR (CONT.), P. 21A

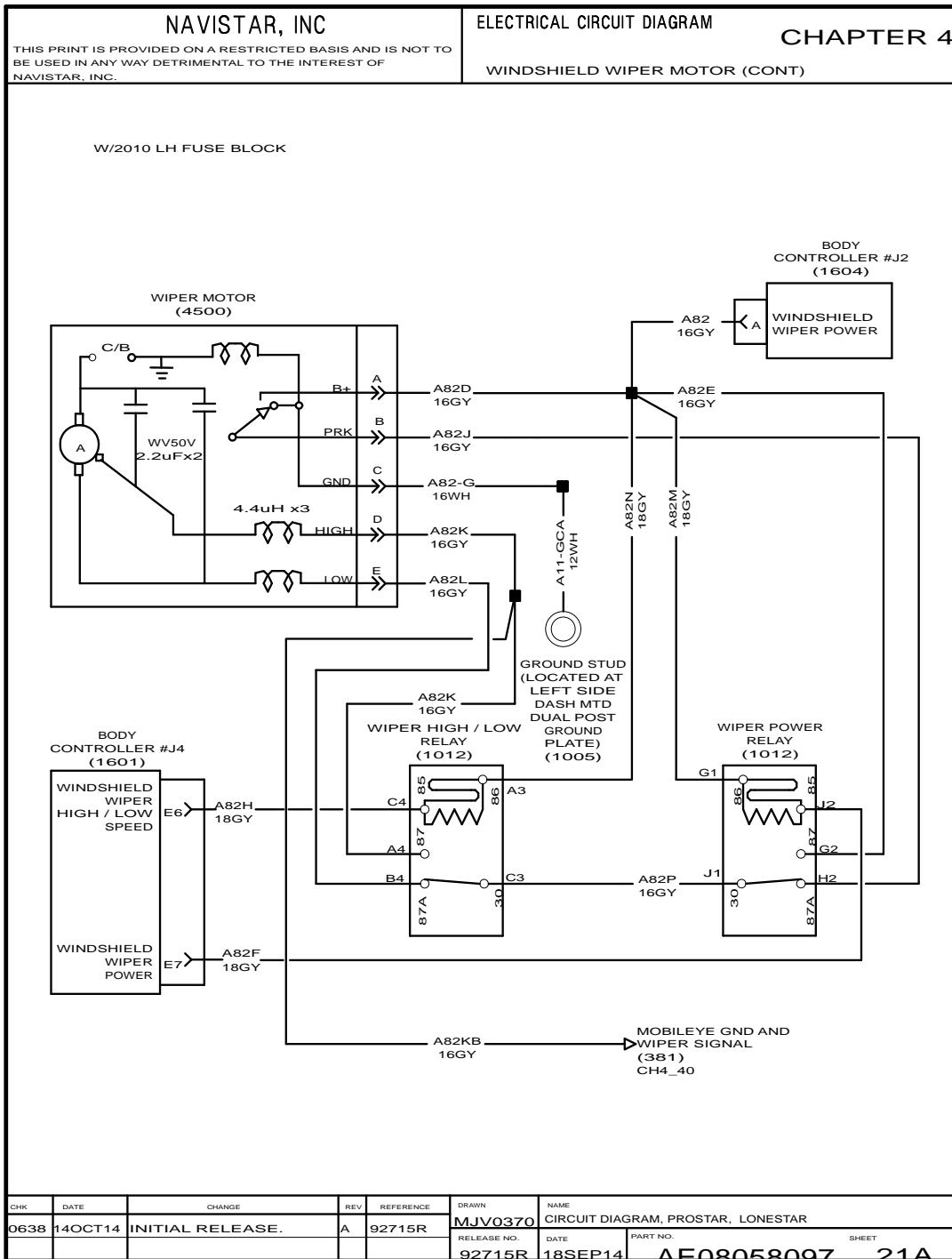


Figure 104 Windshield Wiper Motor (Cont.)



4.31. WINDSHIELD WASHER PUMP, P. 22

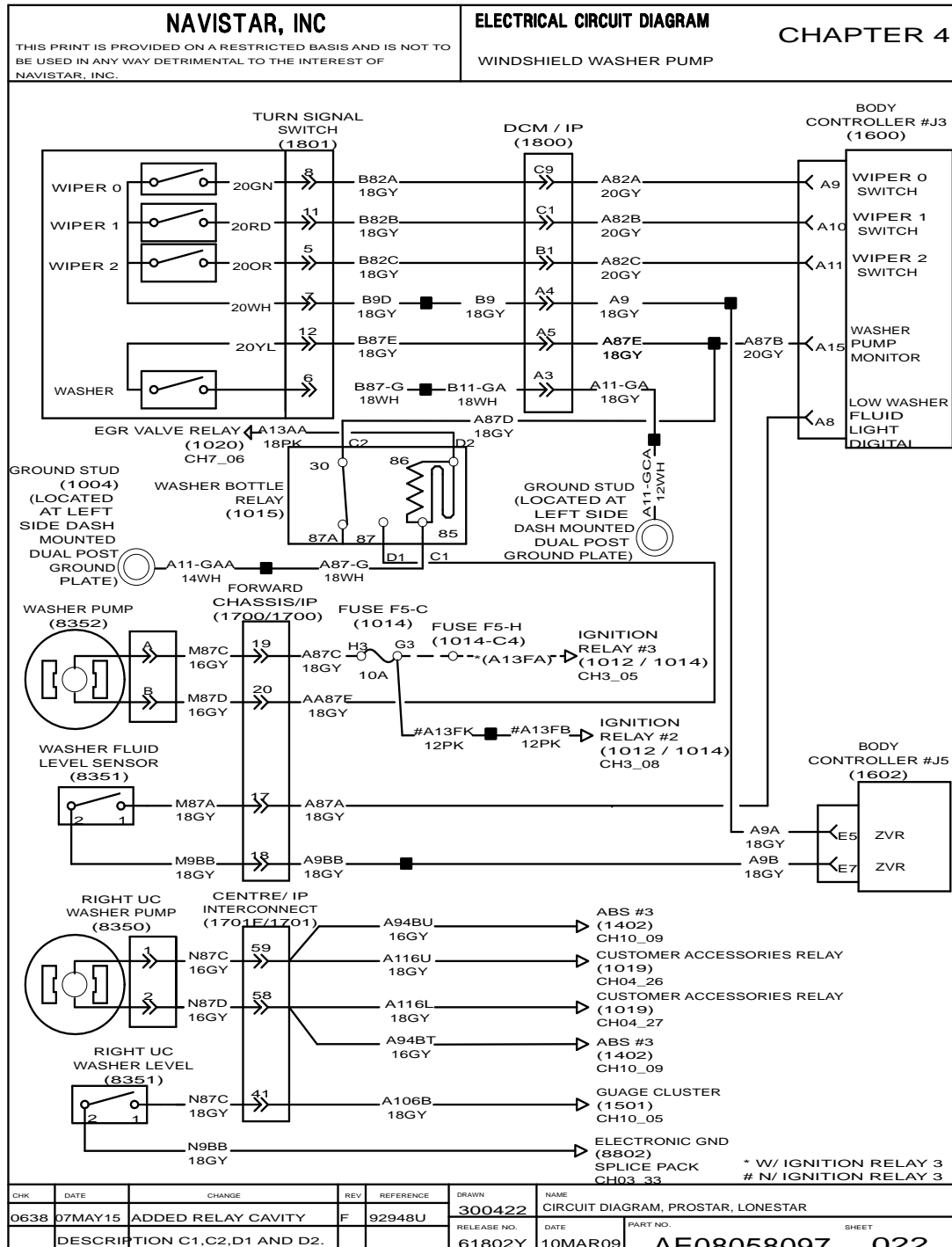


Figure 105 Windshield Washer Pump

4.32. WINDSHIELD WASHER PUMP (CONT.), P. 22A

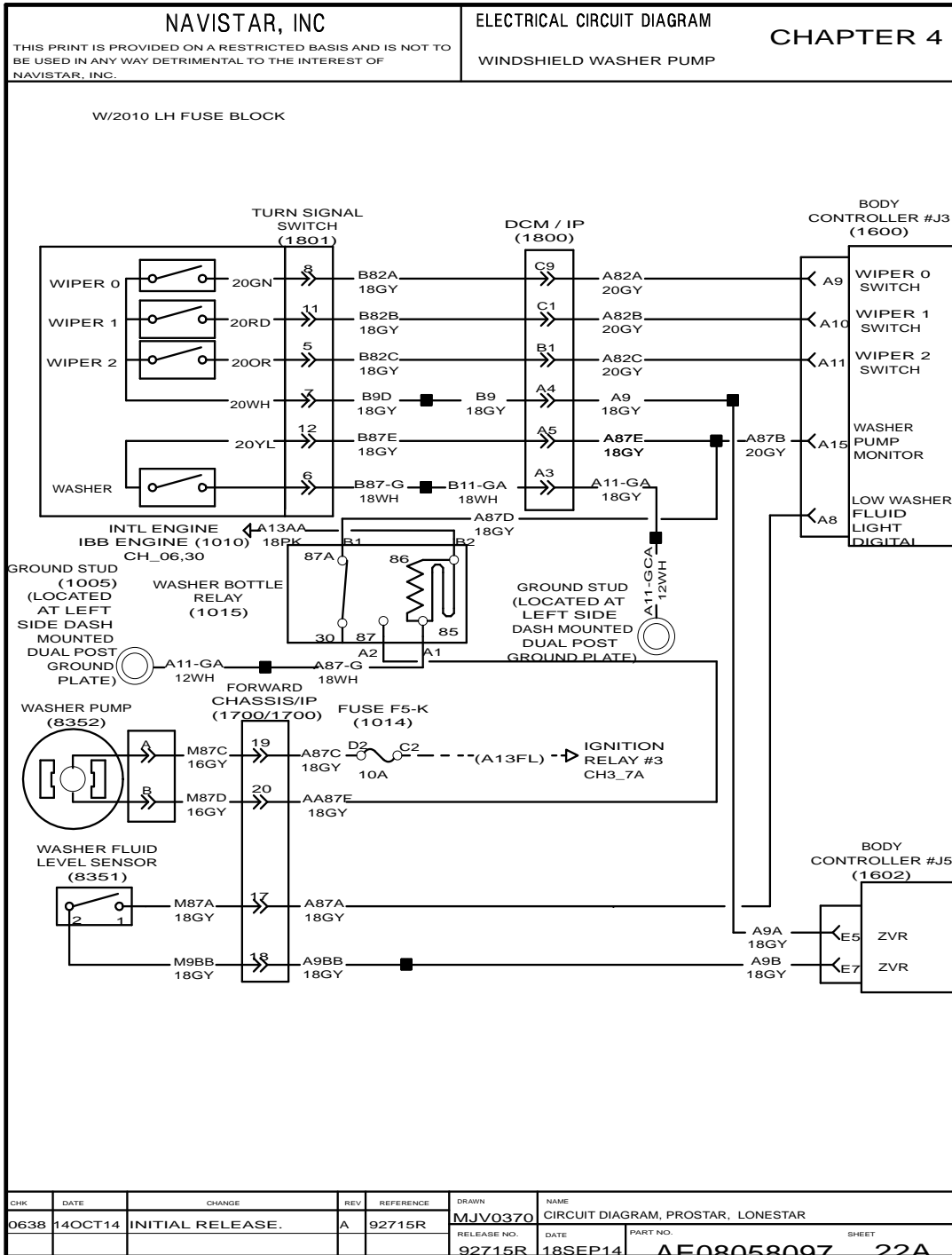


Figure 106 Windshield Washer Pump (Cont.)

4.33. DRIVER DISPLAY – VEHICLE INFORMATION, P. 23

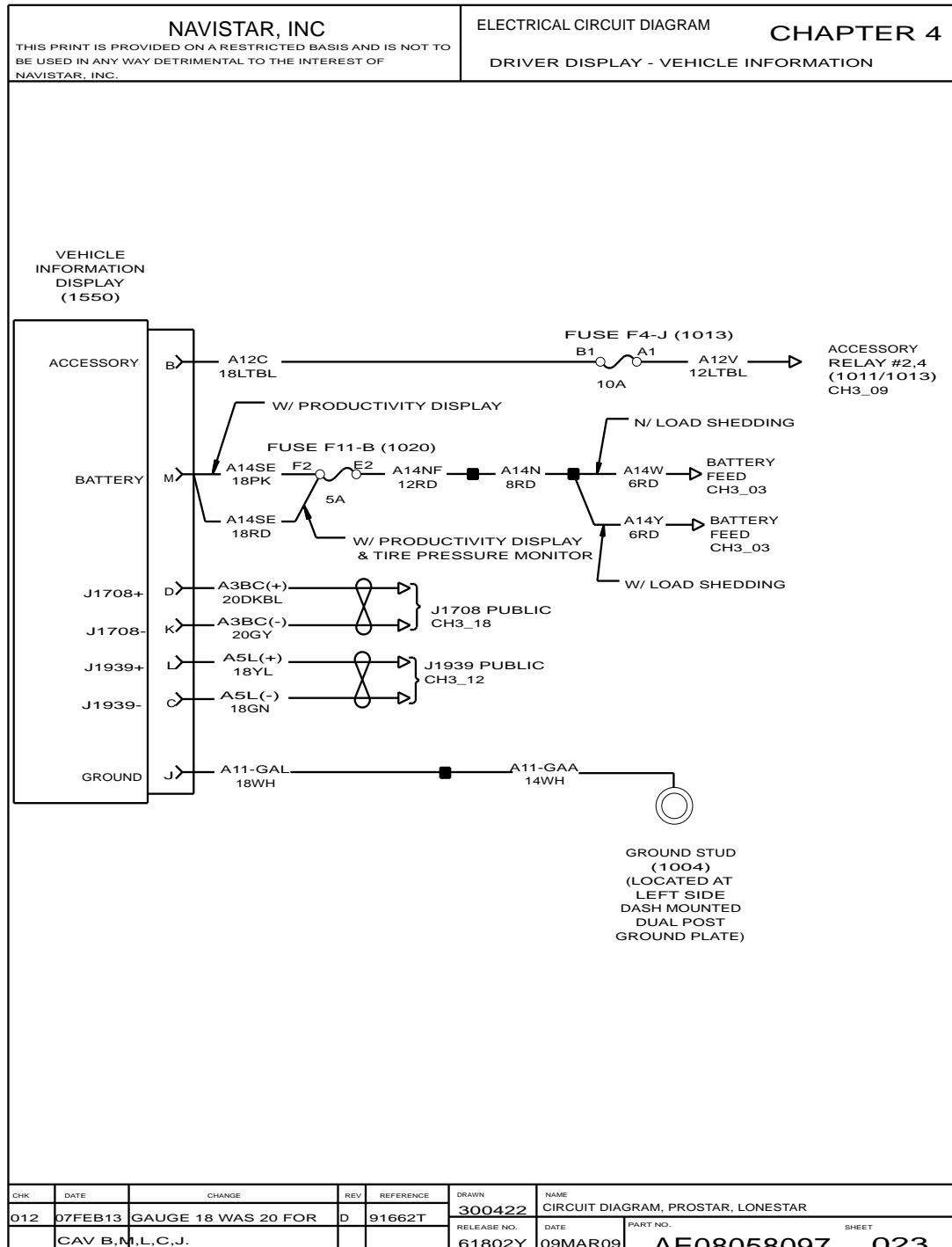


Figure 107 Driver Display – Vehicle Information

4.34. BEACON LIGHT SWITCH – FOR DUAL CUSTOMER ACCESSORY, P. 24

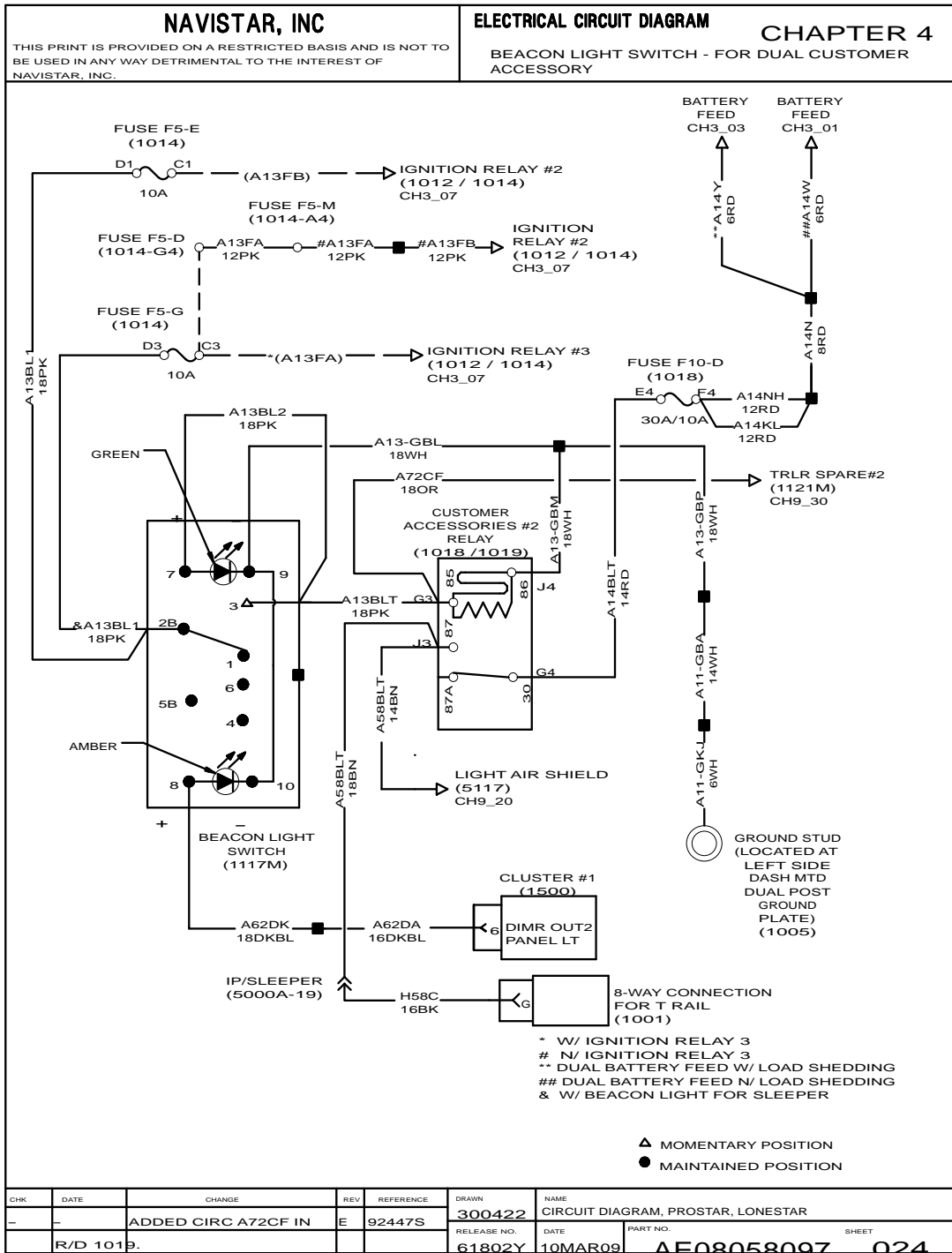


Figure 108 Beacon Light Switch – for Dual Customer Accessory

4.35. BEACON LIGHT SWITCH – FOR DUAL CUSTOMER ACCESSORY (CONT.), P. 24A

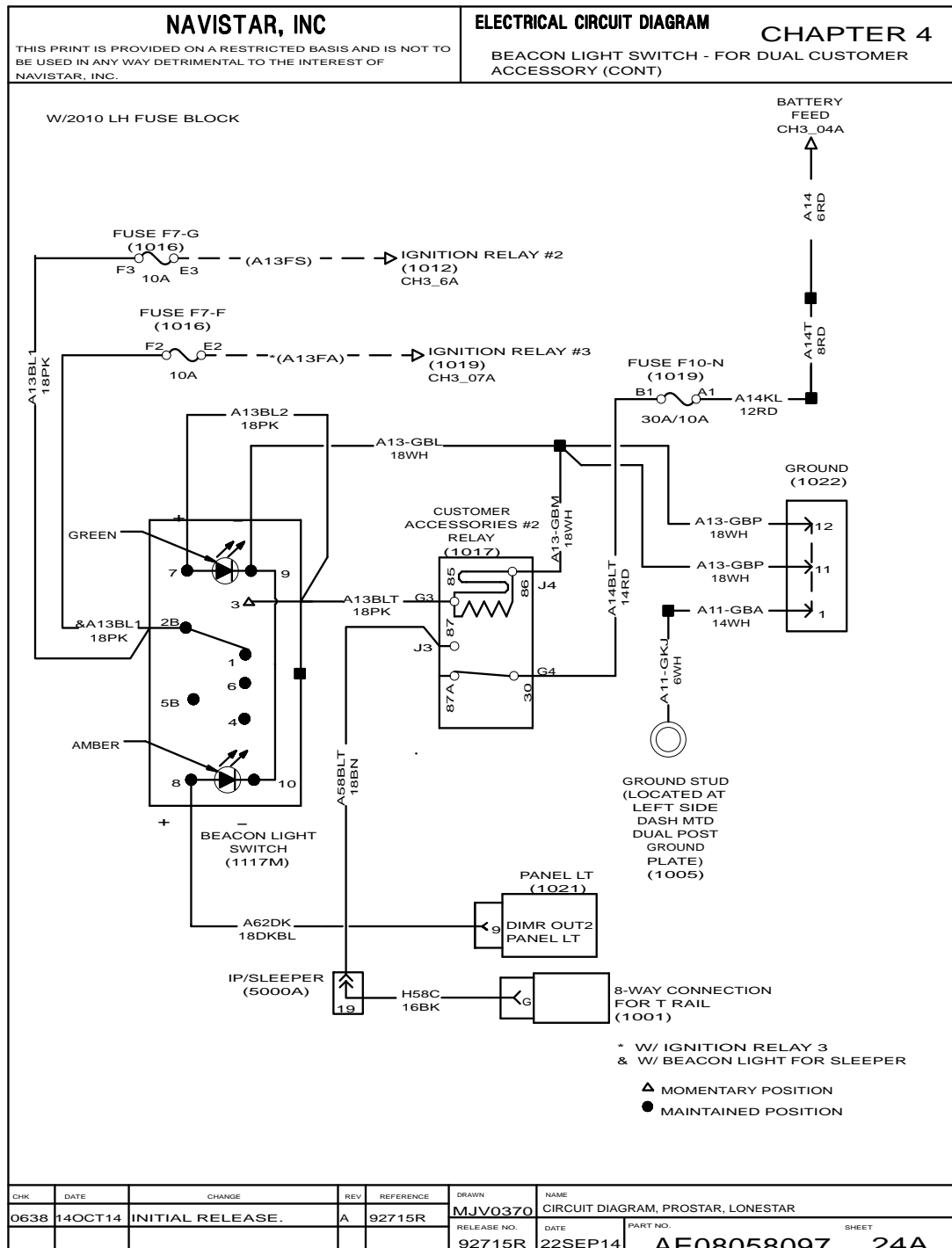


Figure 109 Beacon Light Switch – for Dual Customer Accessory (Cont.)

4.36. DOOR SWITCHES – DOME LAMP, P. 25

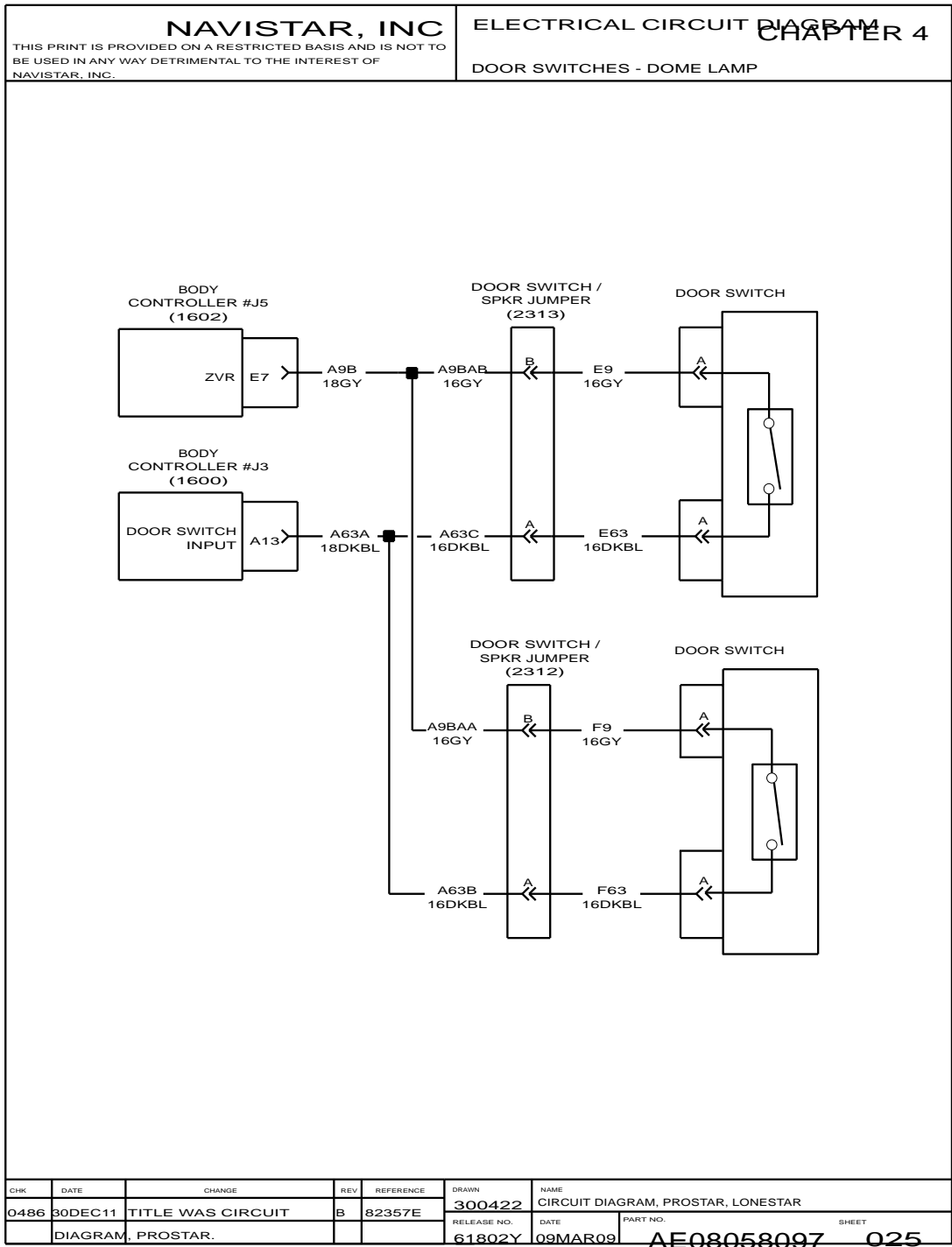


Figure 110 Door Switches – Dome Lamp

4.37. SPARE SWITCH – FOR SINGLE CUSTOMER ACCESSORY, P. 26

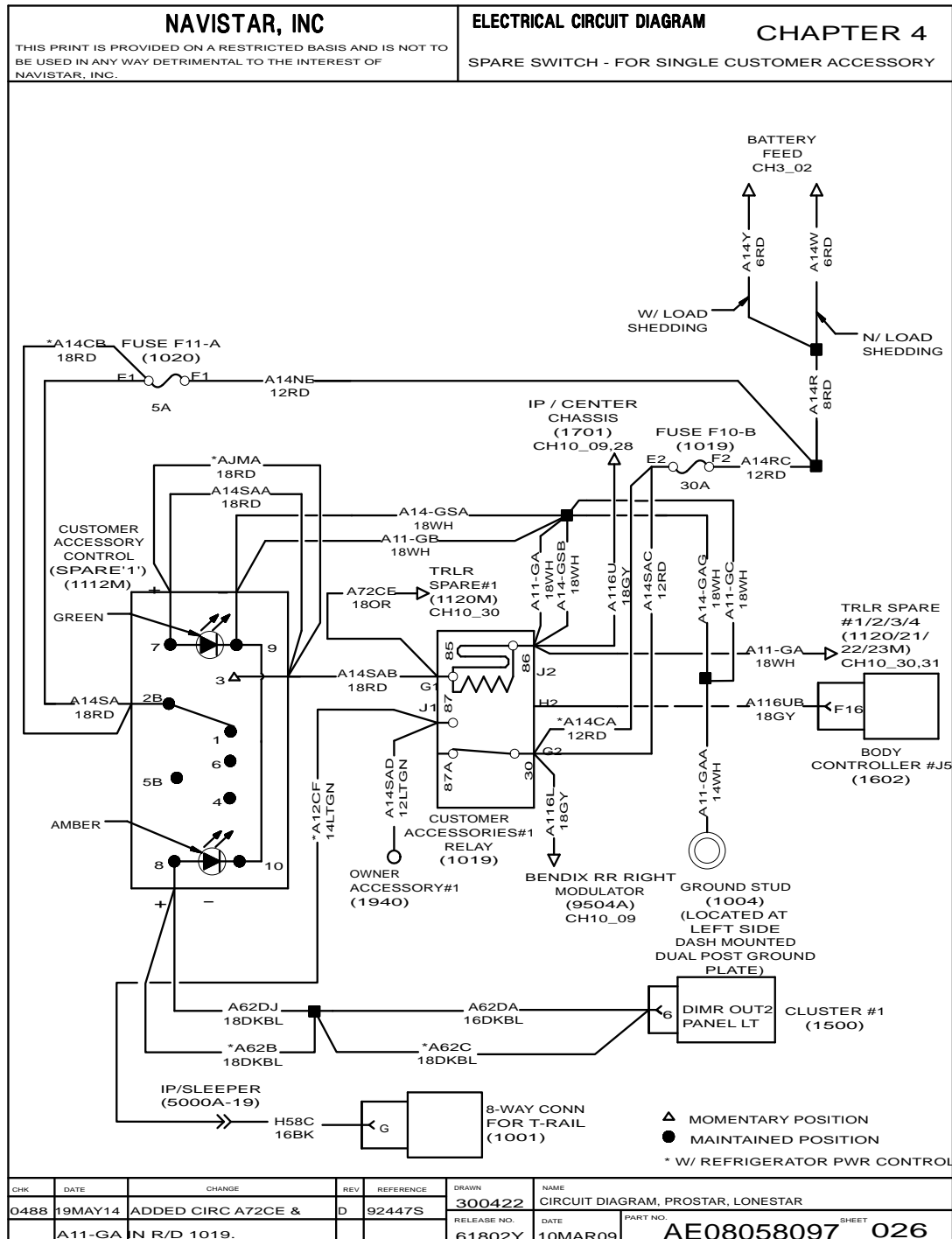


Figure 111 Spare Switch – for Single Customer Accessory

4.38. SPARE SWITCH – FOR SINGLE CUSTOMER ACCESSORY (CONT.), P. 26A

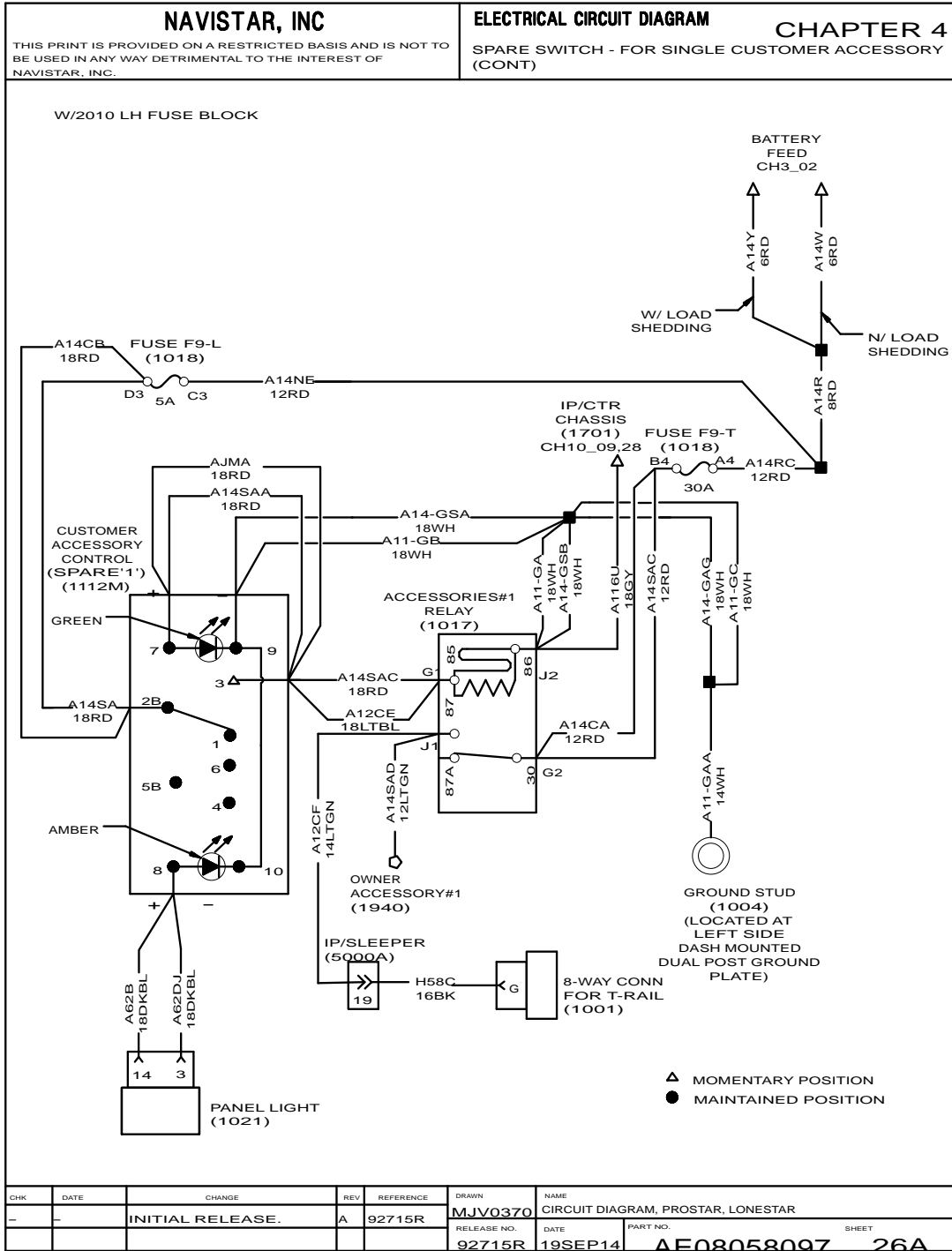


Figure 112 Spare Switch – for Single Customer Accessory (Cont.)



4.39. SPARE SWITCH – FOR DUAL CUSTOMER ACCESSORY, P. 27

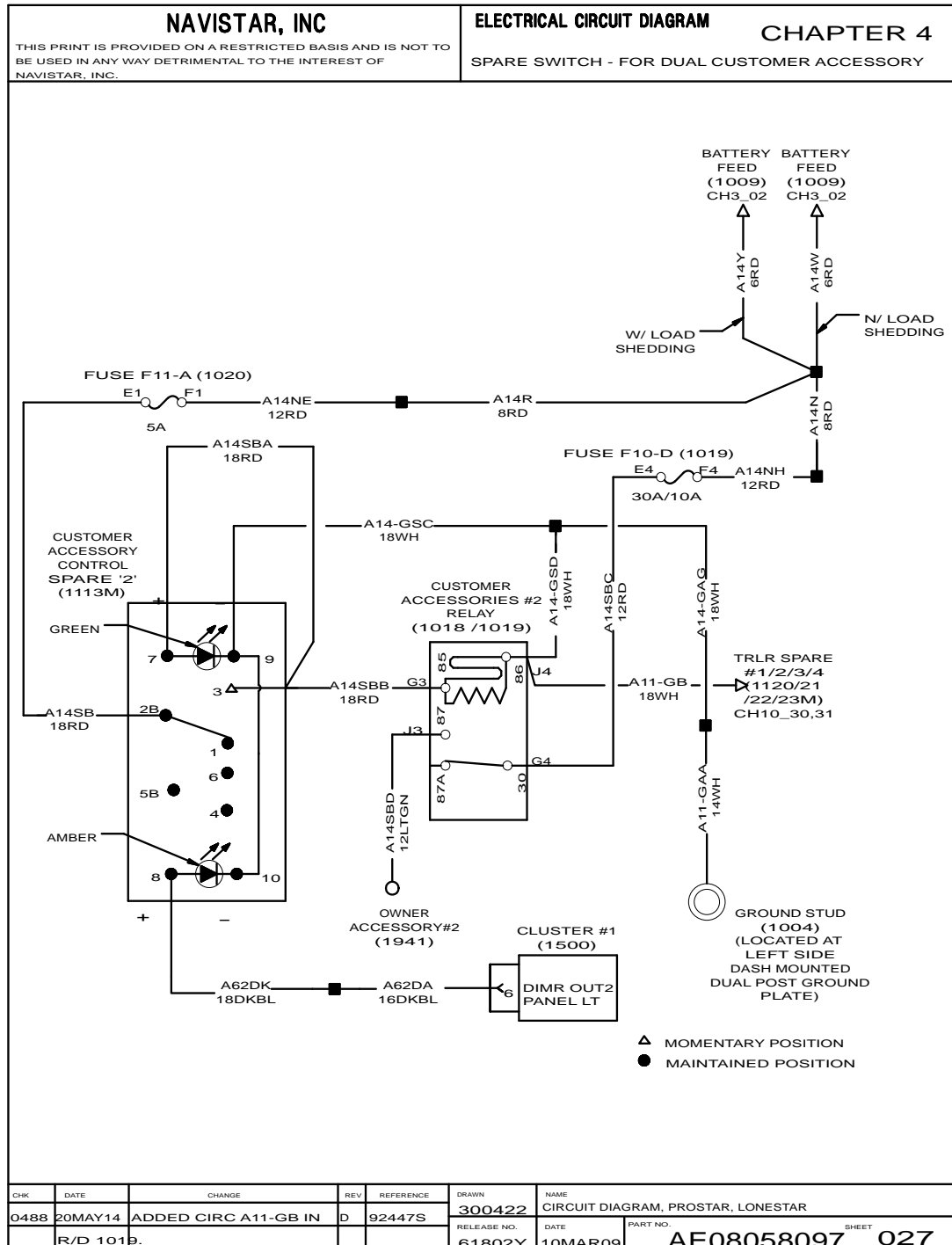


Figure 113 Spare Switch – for Dual Customer Accessory



4.41. EATON VORAD VS-400, P. 28

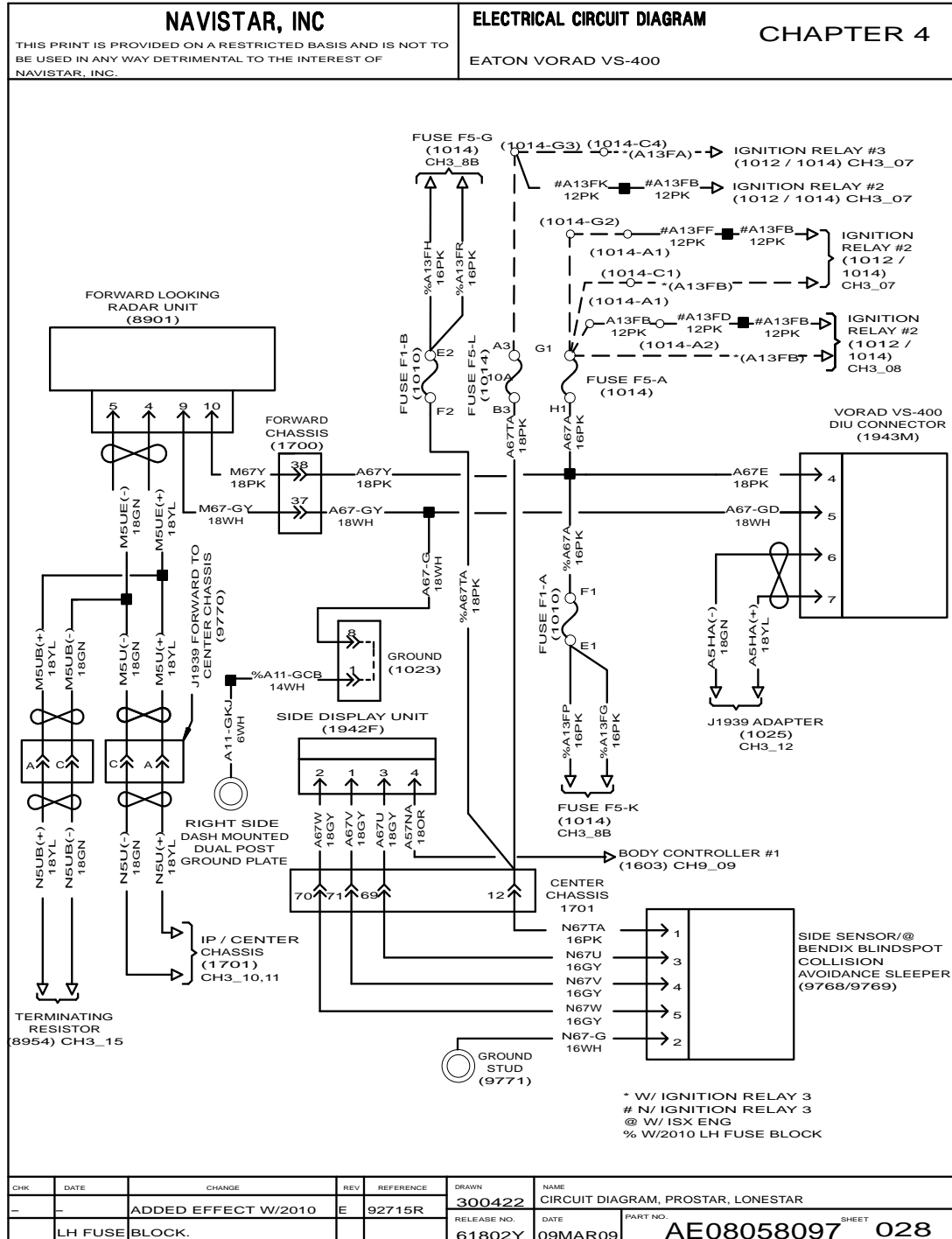


Figure 115 Eaton Vorad VS-400

4.42. EATON VORAD EVT 300, P. 28A

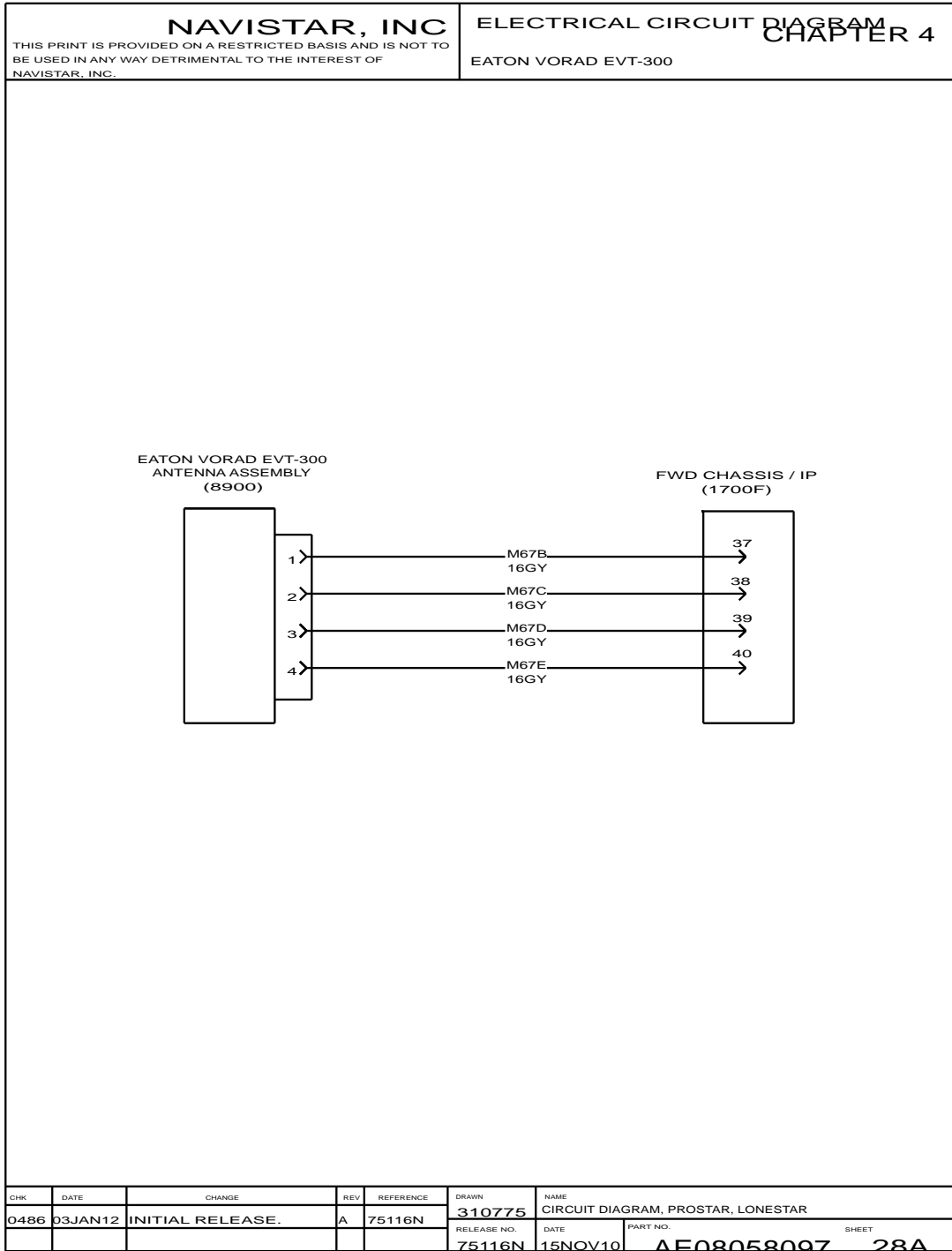


Figure 116 Eaton Vorad EVT 300

4.43. BENDIX WINGMAN, P. 28B

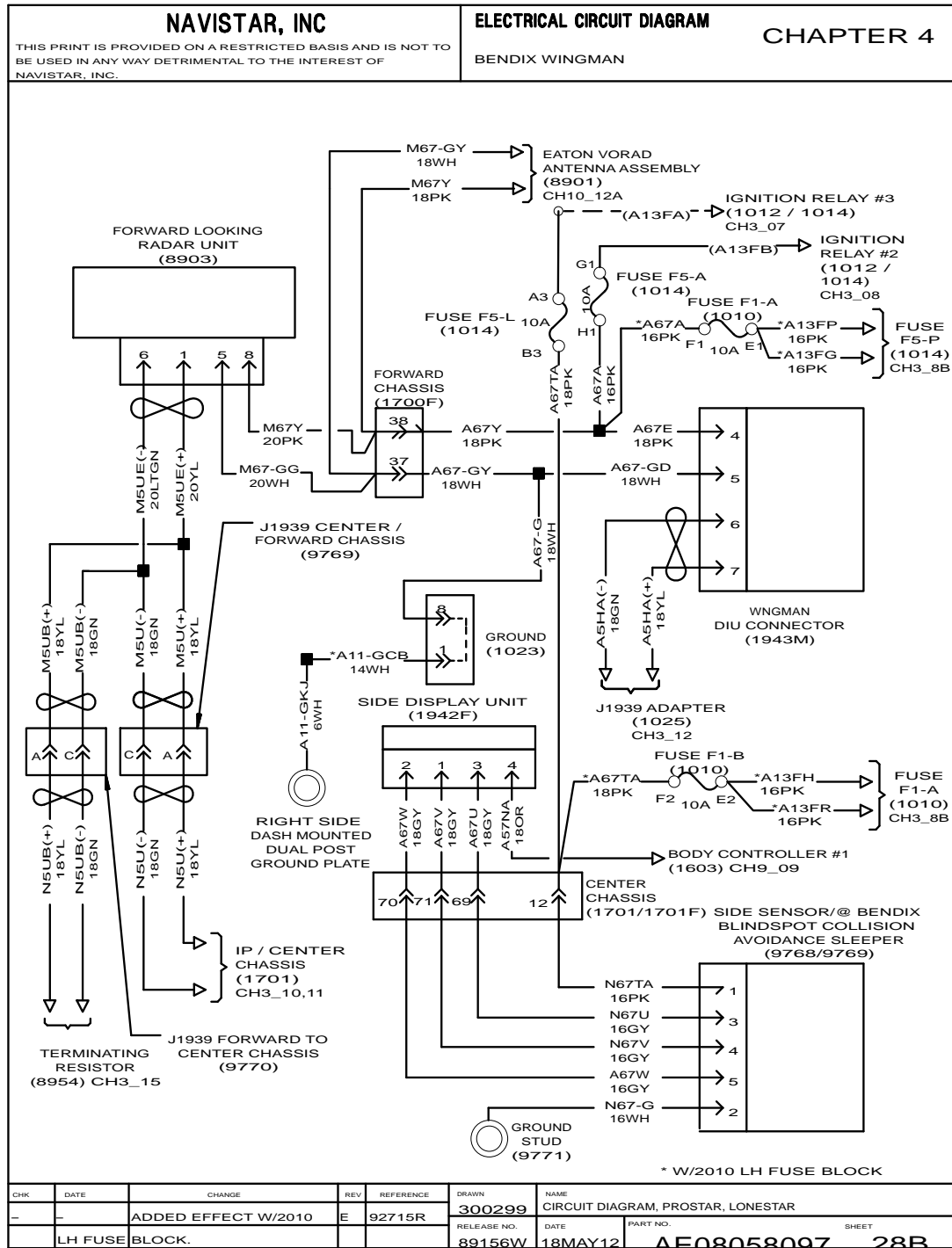


Figure 117 Bendix Wingman

4.44. WABCO ONGUARD WARNING SYSTEM, P. 28C

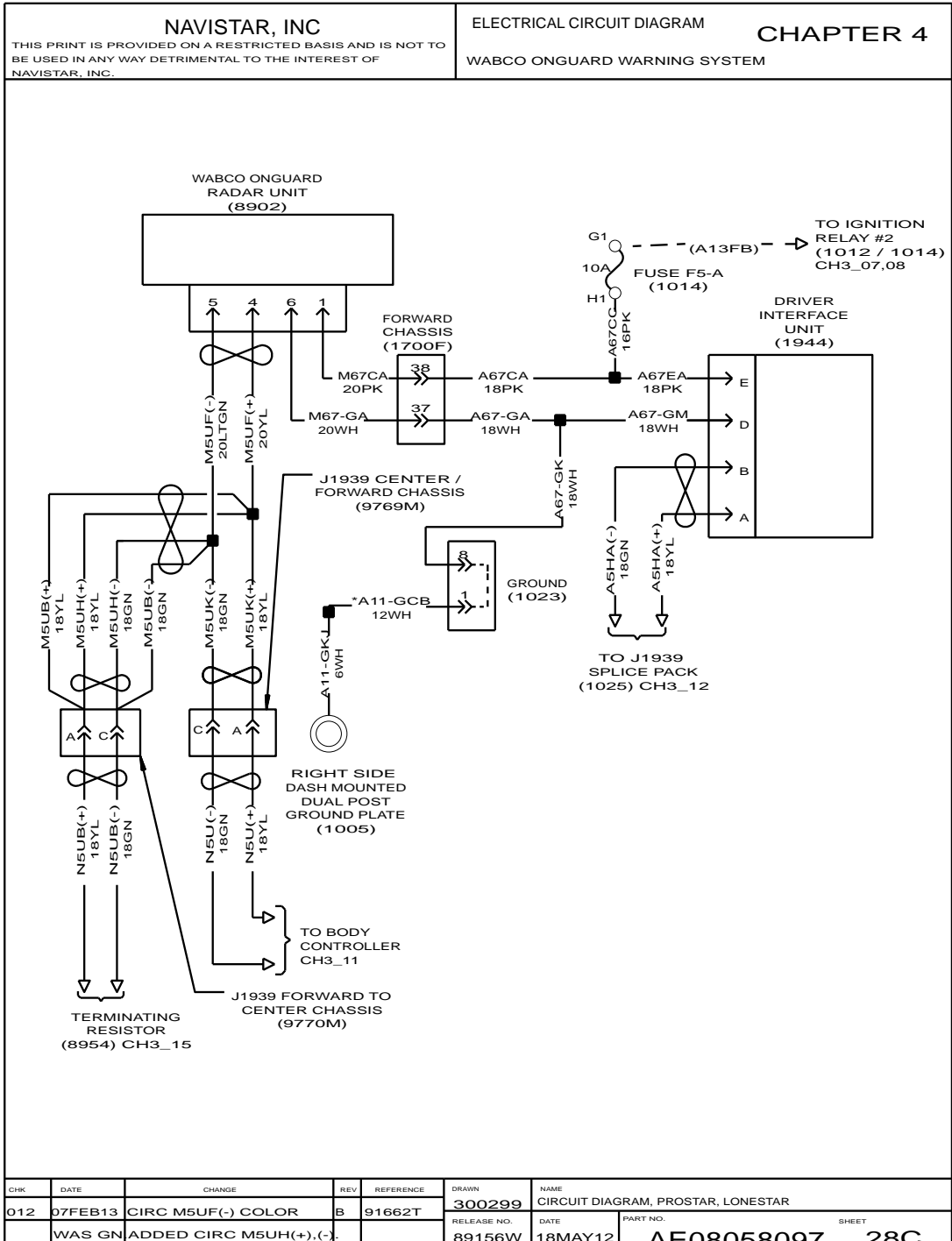


Figure 118 WABCO OnGuard Warning System

4.45. WABCO ONGUARD WARNING SYSTEM (CONT.), P. 28D

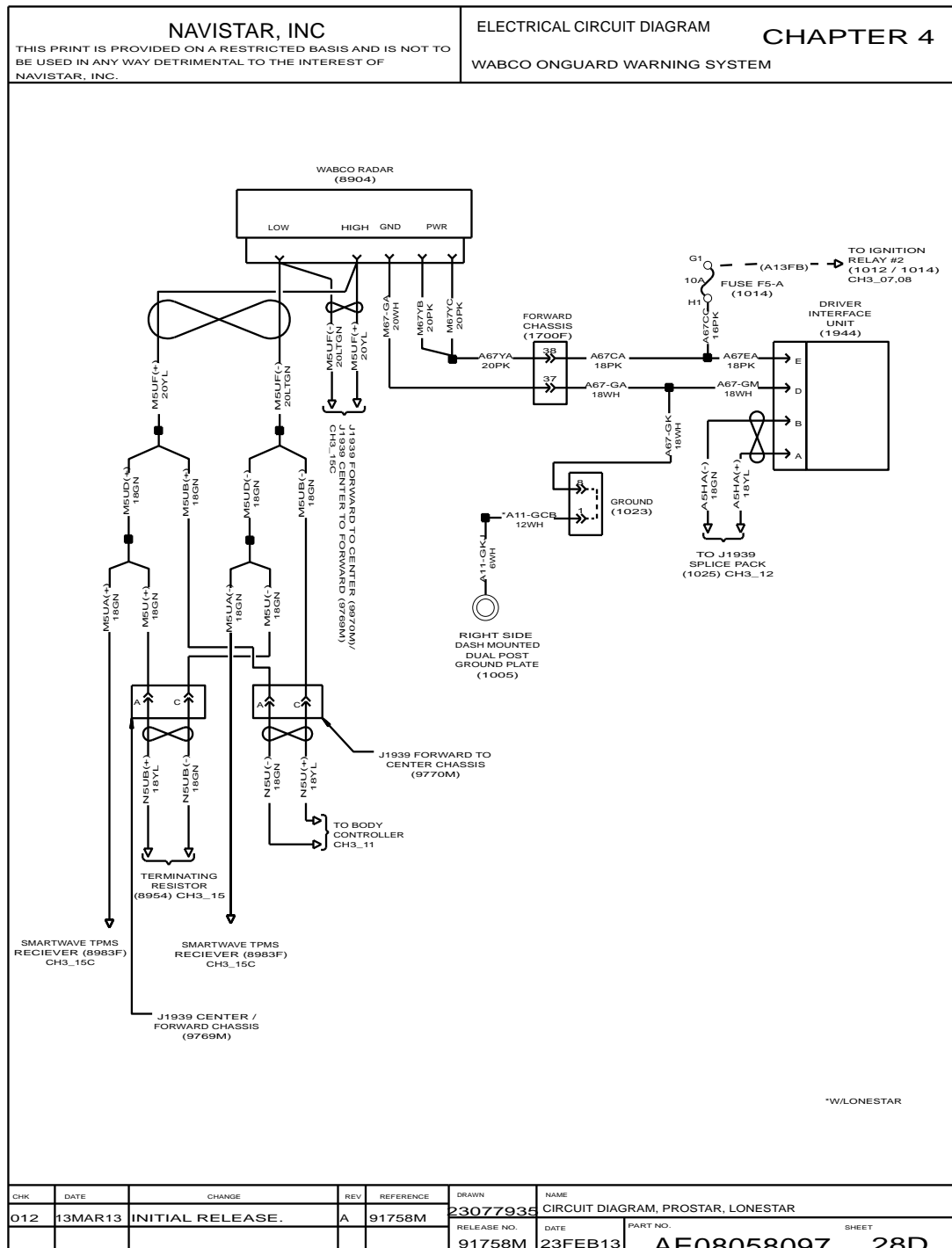


Figure 119 WABCO OnGuard Warning System (Cont.),

4.46. BENDIX WINGMAN (CONT.), P. 28E

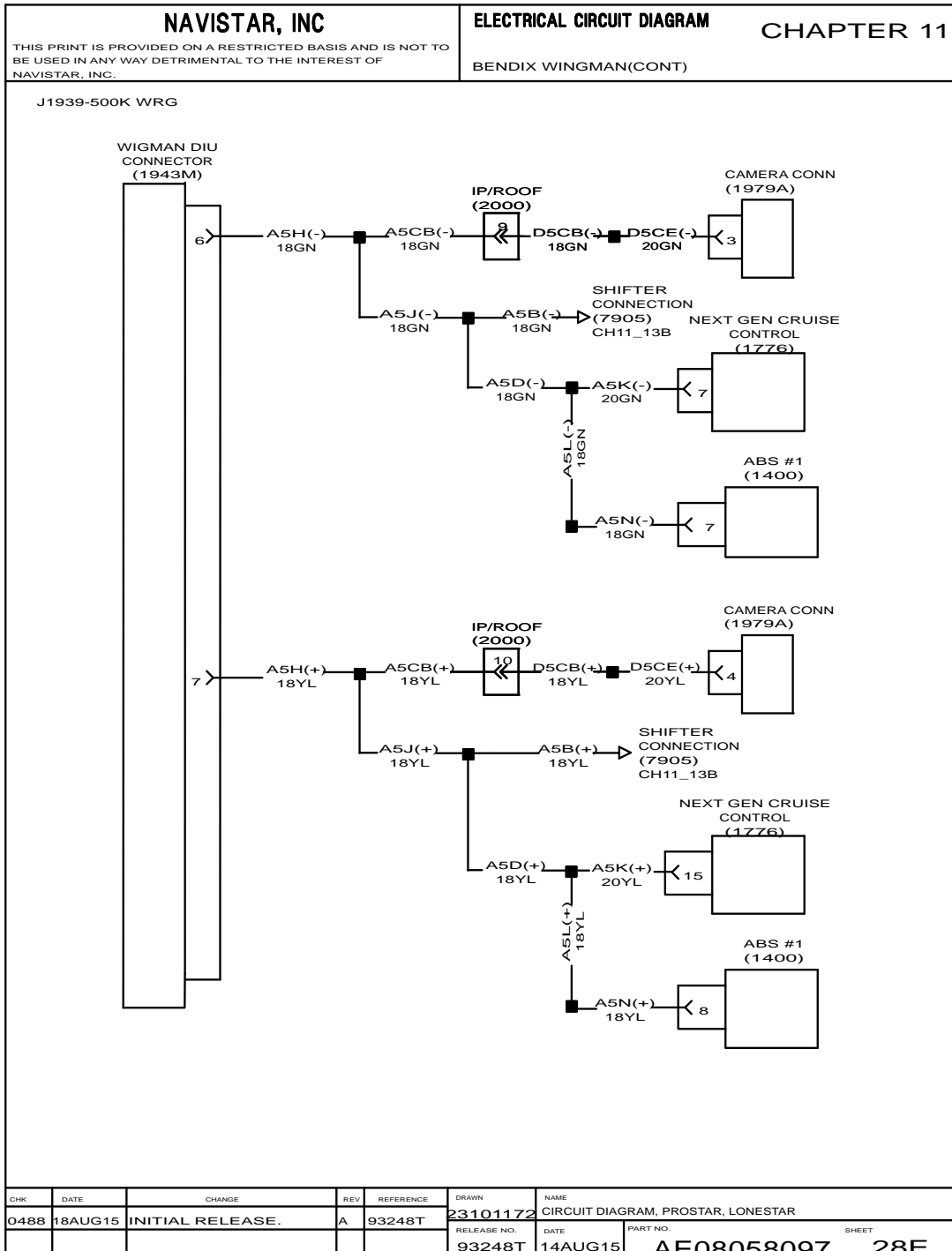


Figure 120 Bendix Wingman (Cont.)



4.47. QUALCOMM OMNIVISION, P. 29

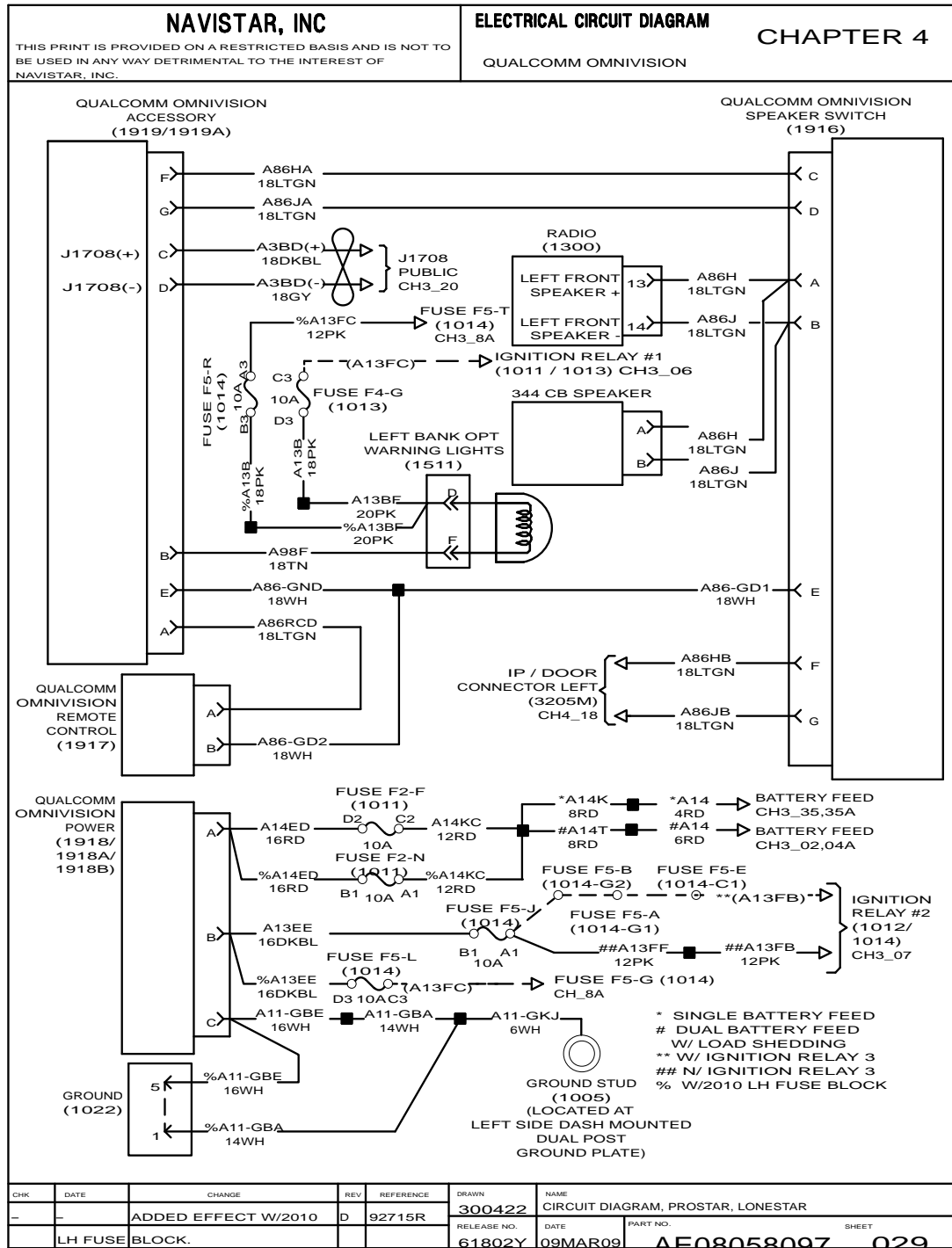


Figure 121 Qualcomm Omnivision

4.48. QUALCOMM OMNIVISION (CONT.), P. 30

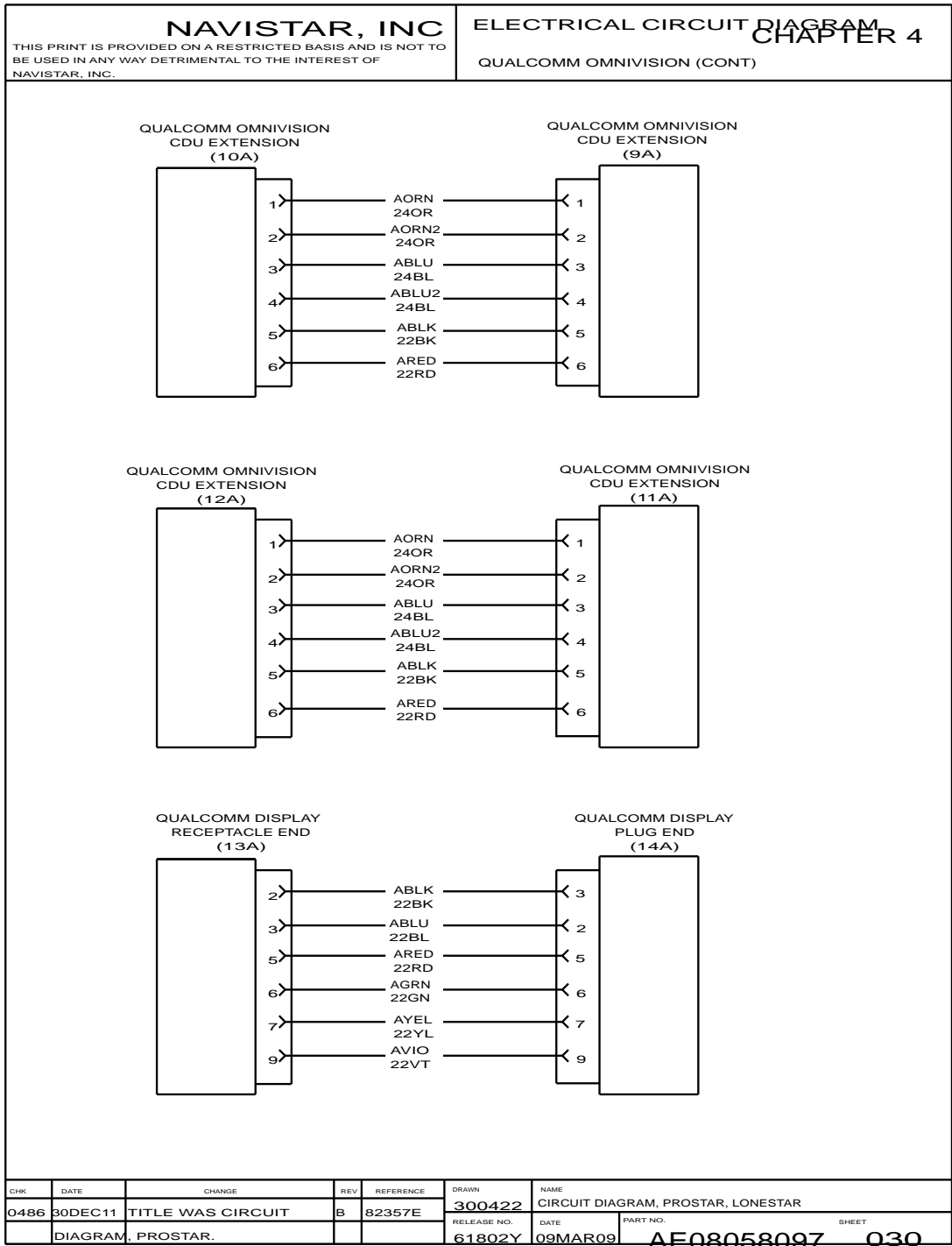


Figure 122 Qualcomm Omnisvision (Cont.)

4.49. SATELLITE COMMUNICATION SYSTEM – PEOPLENET SLEEPER (0008RHA), P. 30A

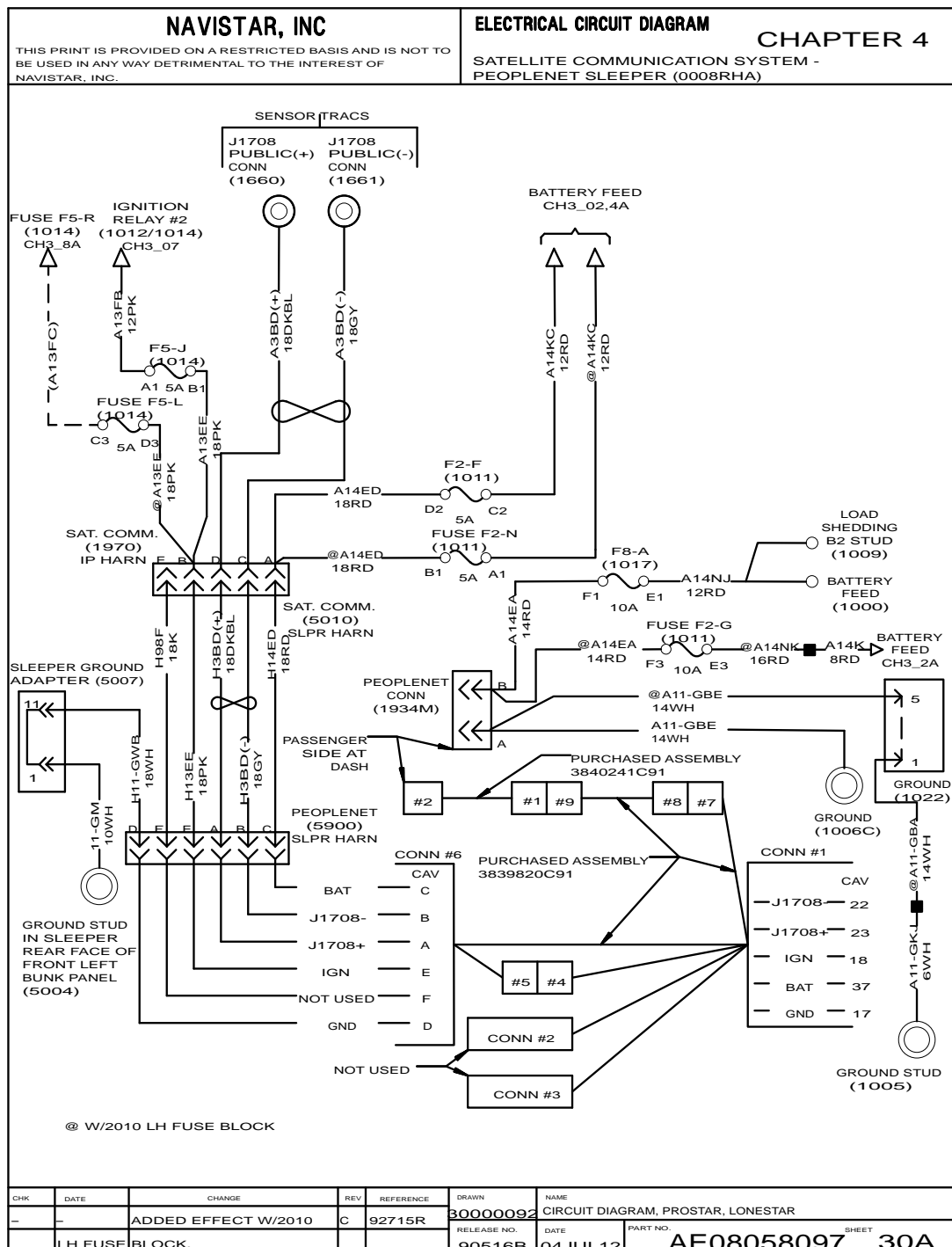


Figure 123 Satellite Communication System – Peoplenet Sleeper (0008RHA)

4.50. SATELLITE COMMUNICATION – PEOPLETNET DAYCAB (0008RHA), P. 30B

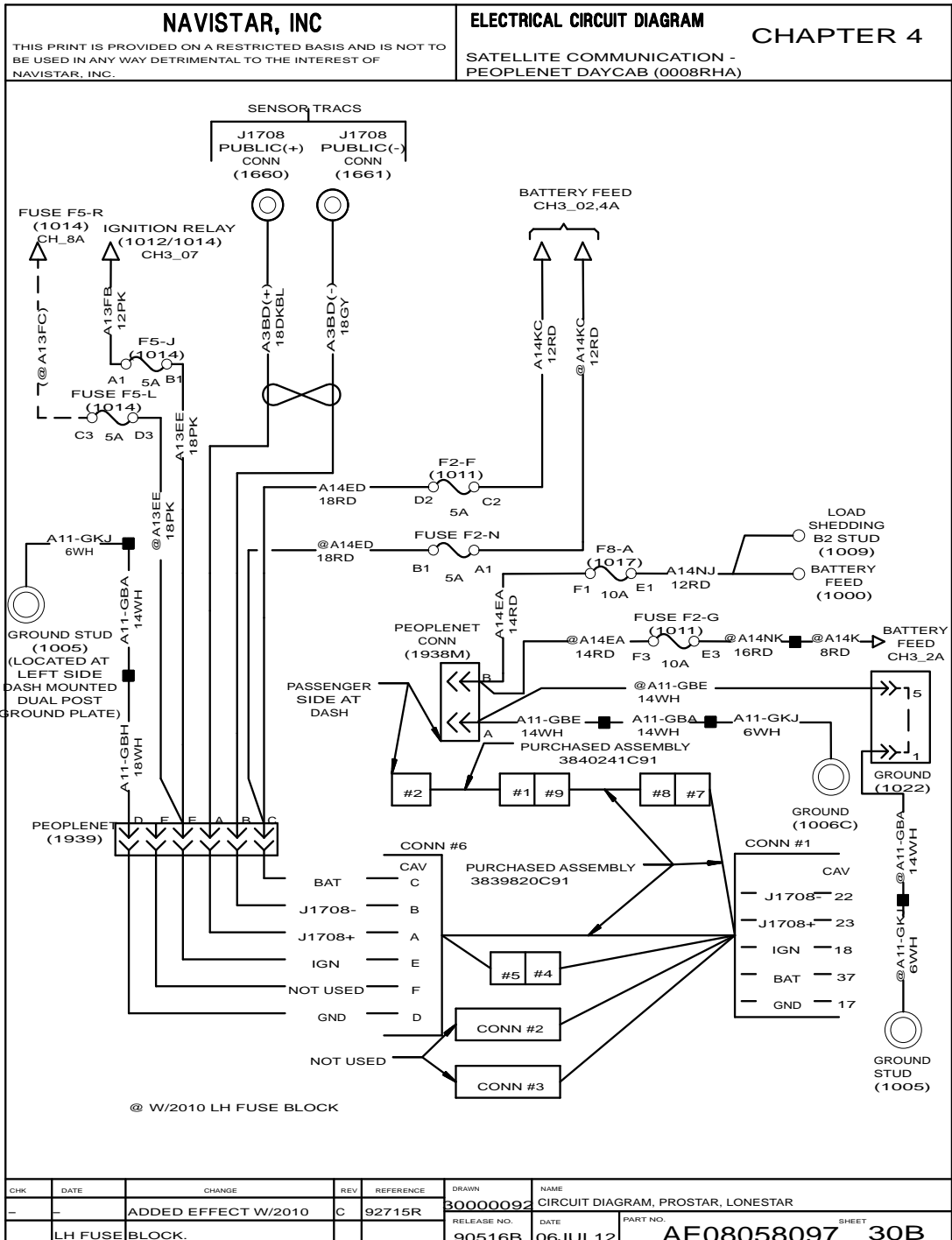


Figure 124 Satellite Communication System – Peopletnet Daycab (0008RHA)

4.51. GATEWAY MODULE SLEEPER / DAYCAB (0008RHA), P. 30C

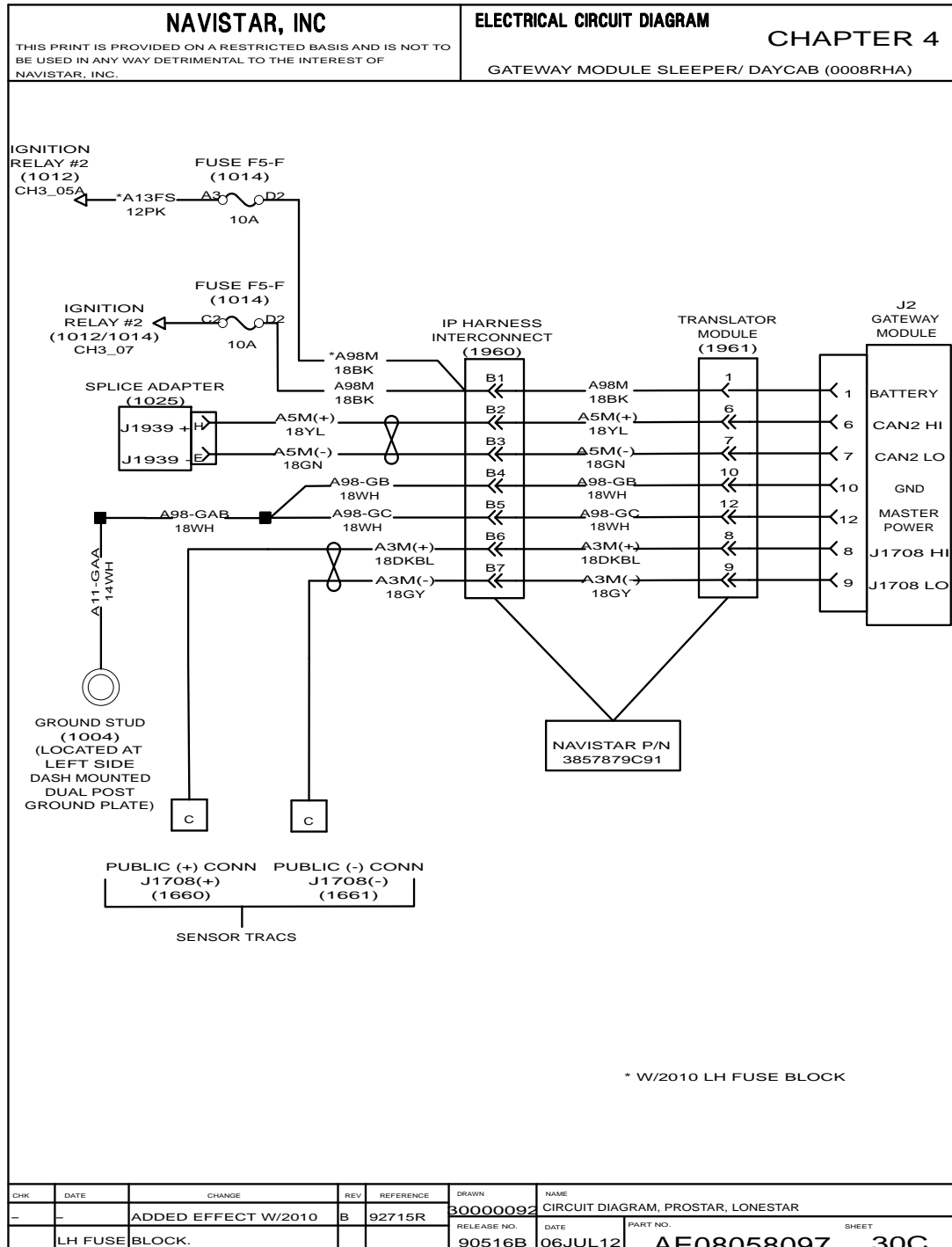


Figure 125 Gateway Module Sleeper / Daycab (0008RHA)

4.52. SATELLITE COMMUNICATION – PEOPLETNET SLEEPER WITH VIDEO ADAPTER (0008RLK / RLG), P. 30D

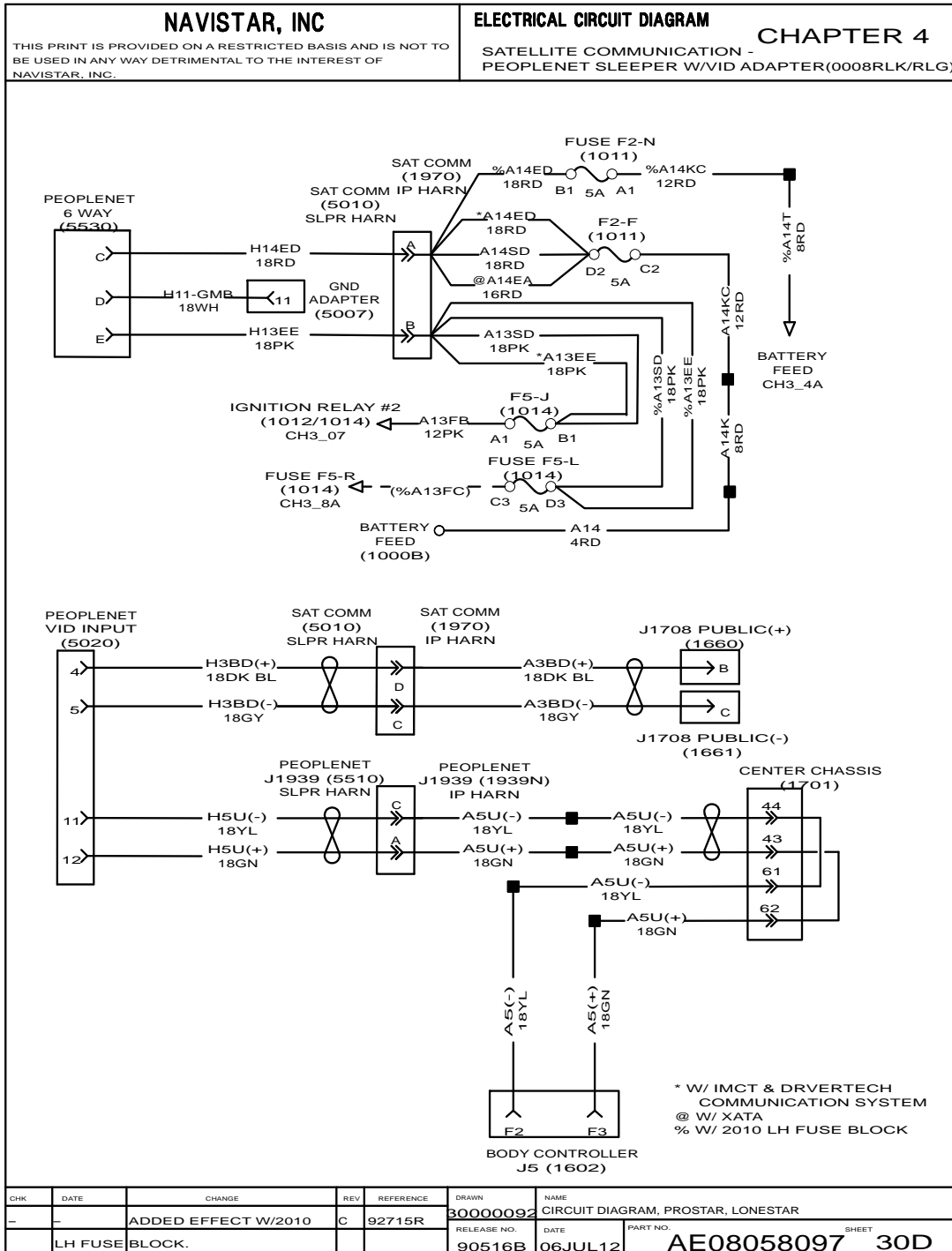


Figure 126 Satellite Communication – Peopletnet Sleeper with Video Adapter (0008RLK / RLG)

4.53. SATELLITE COMMUNICATION – PEOPLETNET DAY CAB WITH VIDEO ADAPTER (0008RLK / RLG), P. 30E

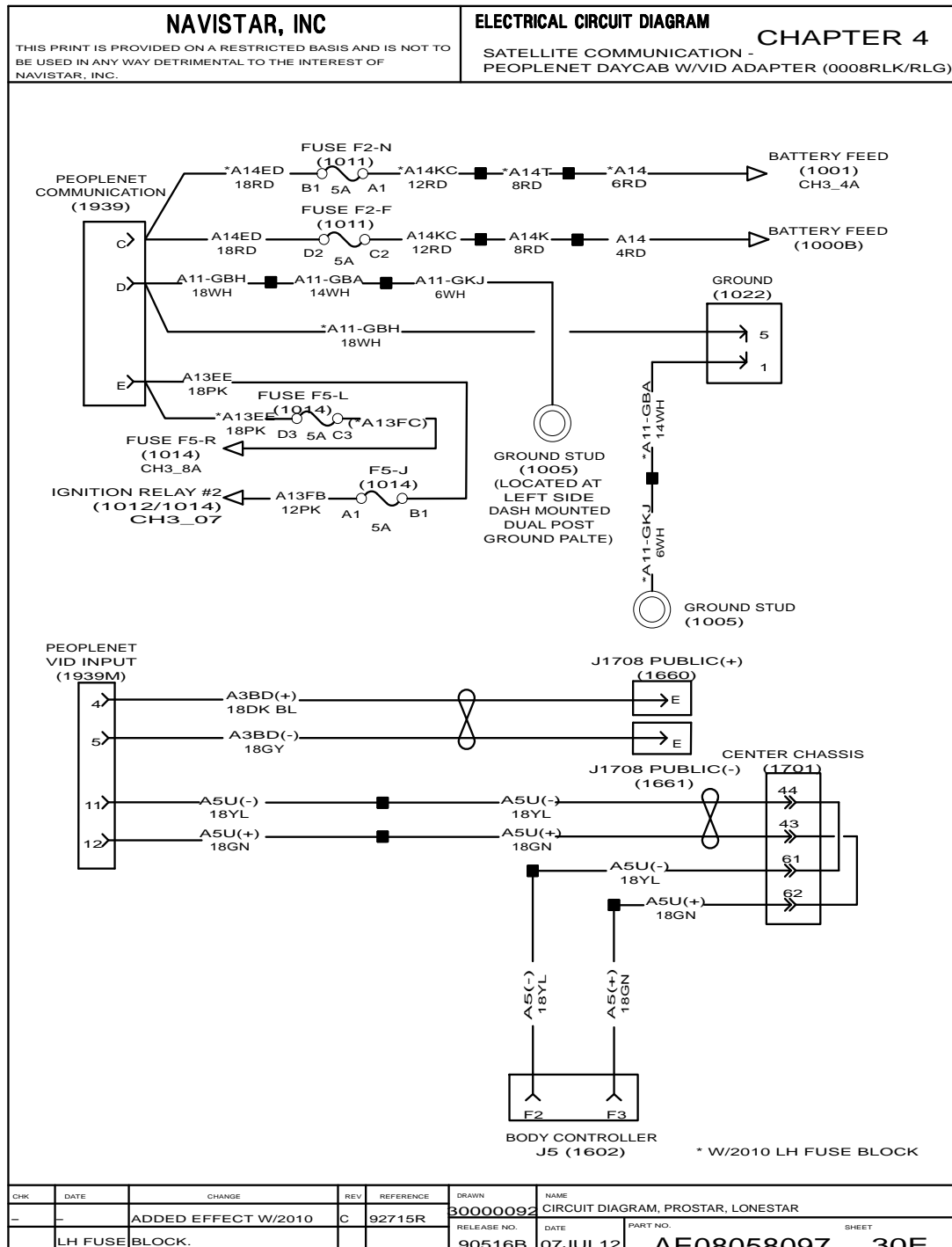


Figure 127 Satellite Communication – Peopletnet Day Cab with Video Adapter (0008RLK / RLG)

4.54. SLEEPER / DAYCAB VIDEO INPUT MODULE WIRING, P. 30F

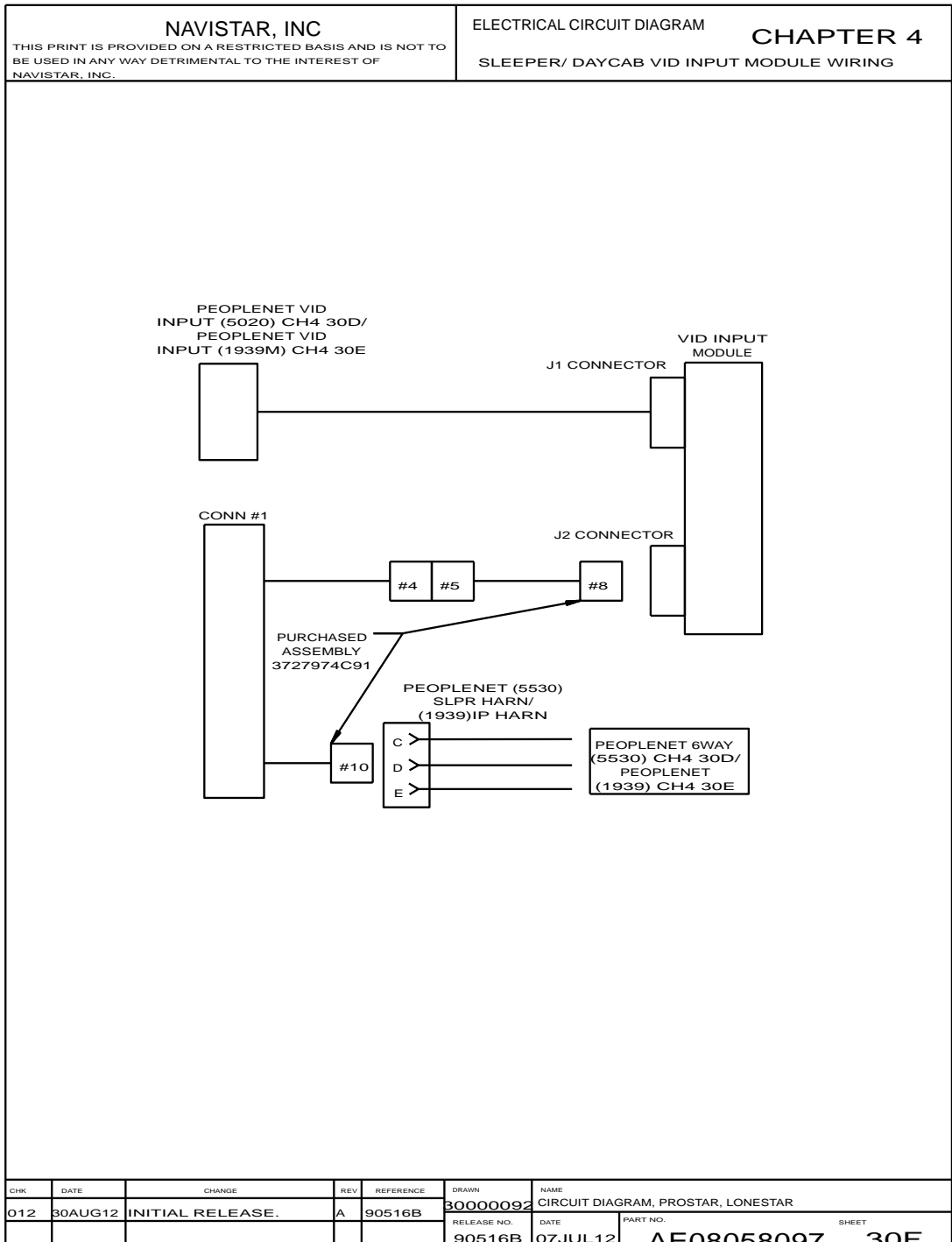


Figure 128 Sleeper / Daycab Video Input Module Wiring





4.56. REMOTE RADIO, P. 32

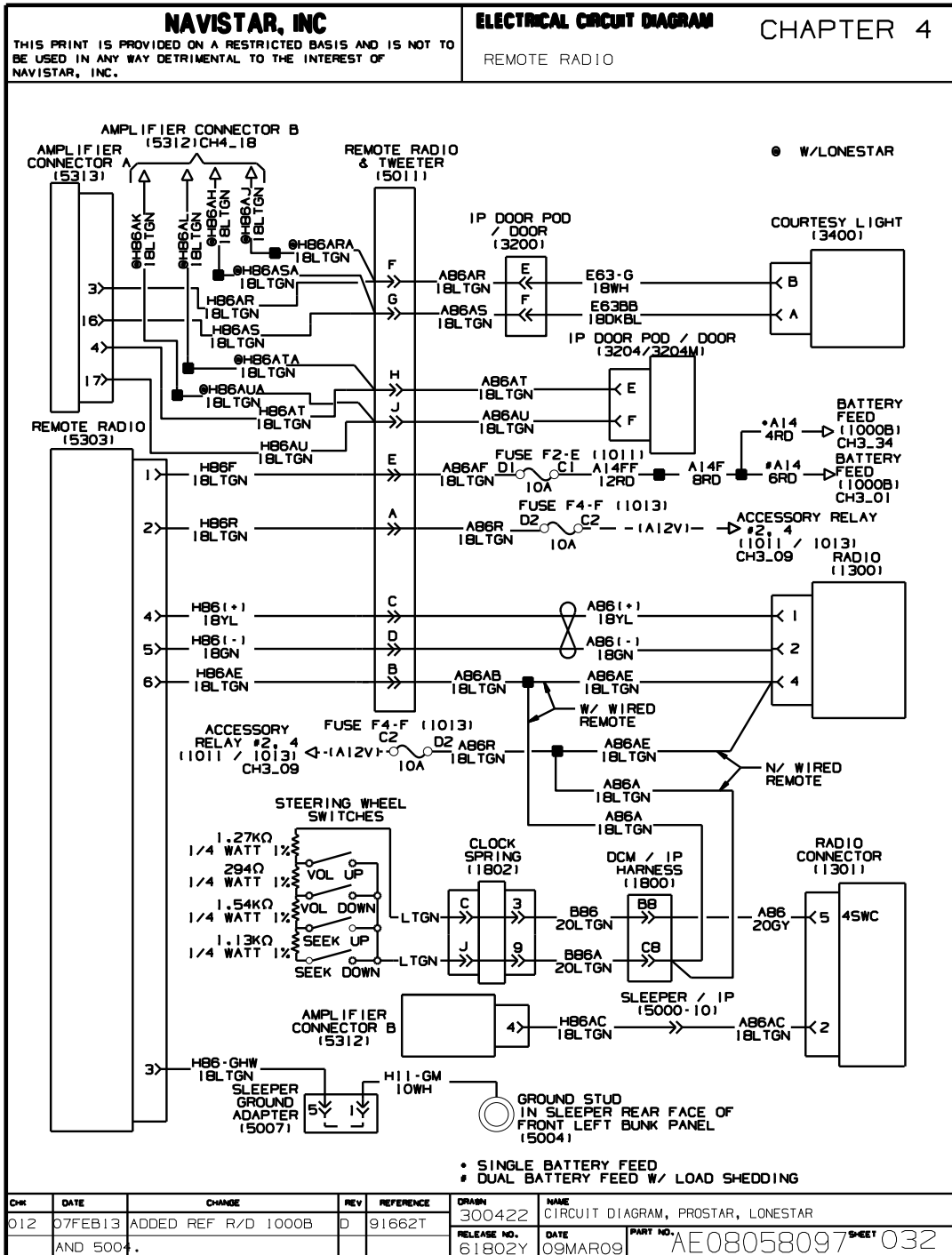


Figure 130 Remote Radio

4.57. REMOTE RADIO (CONT.), P. 33

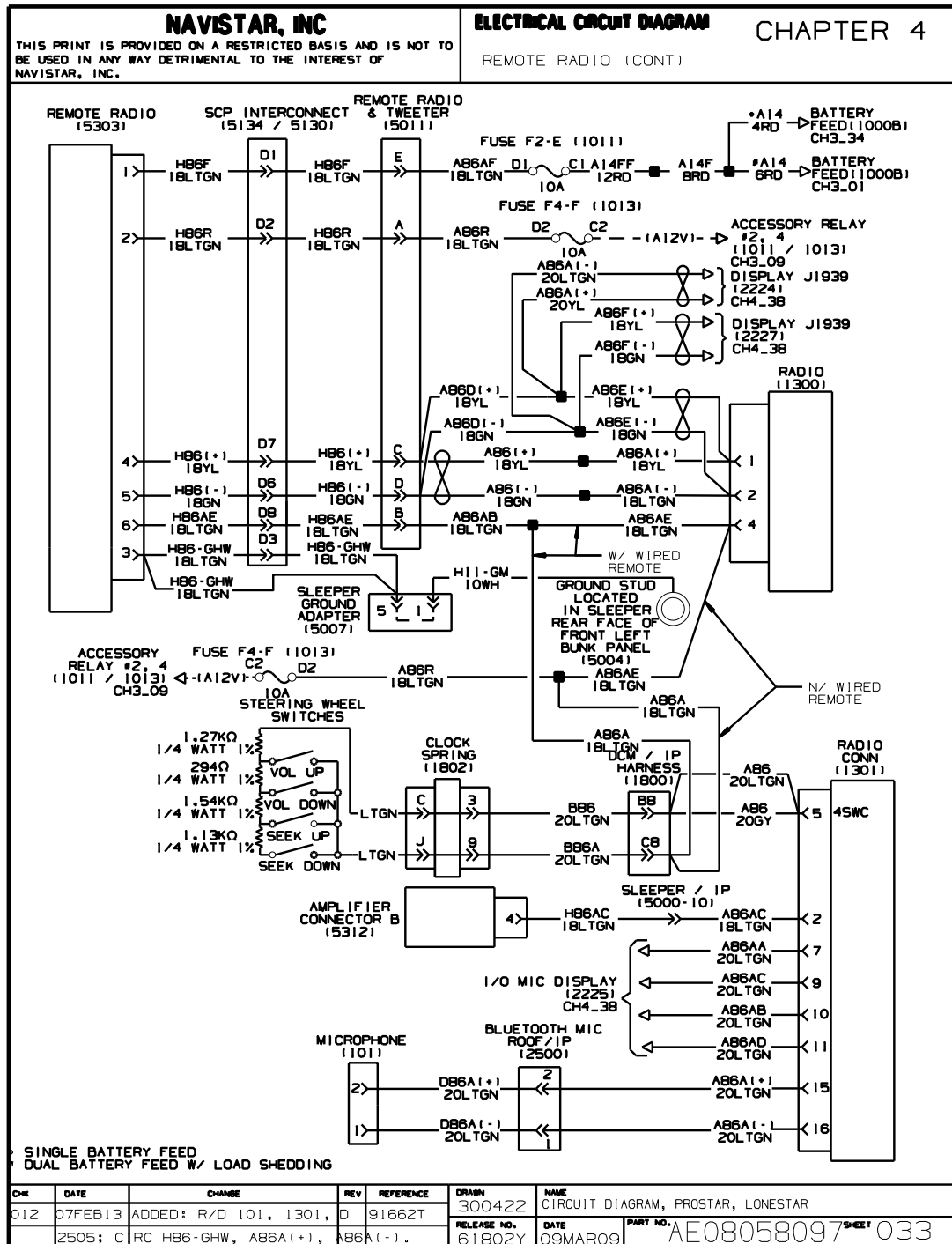


Figure 131 Remote Radio (Cont.)

4.58. SART CLOCK MODULE, P. 34

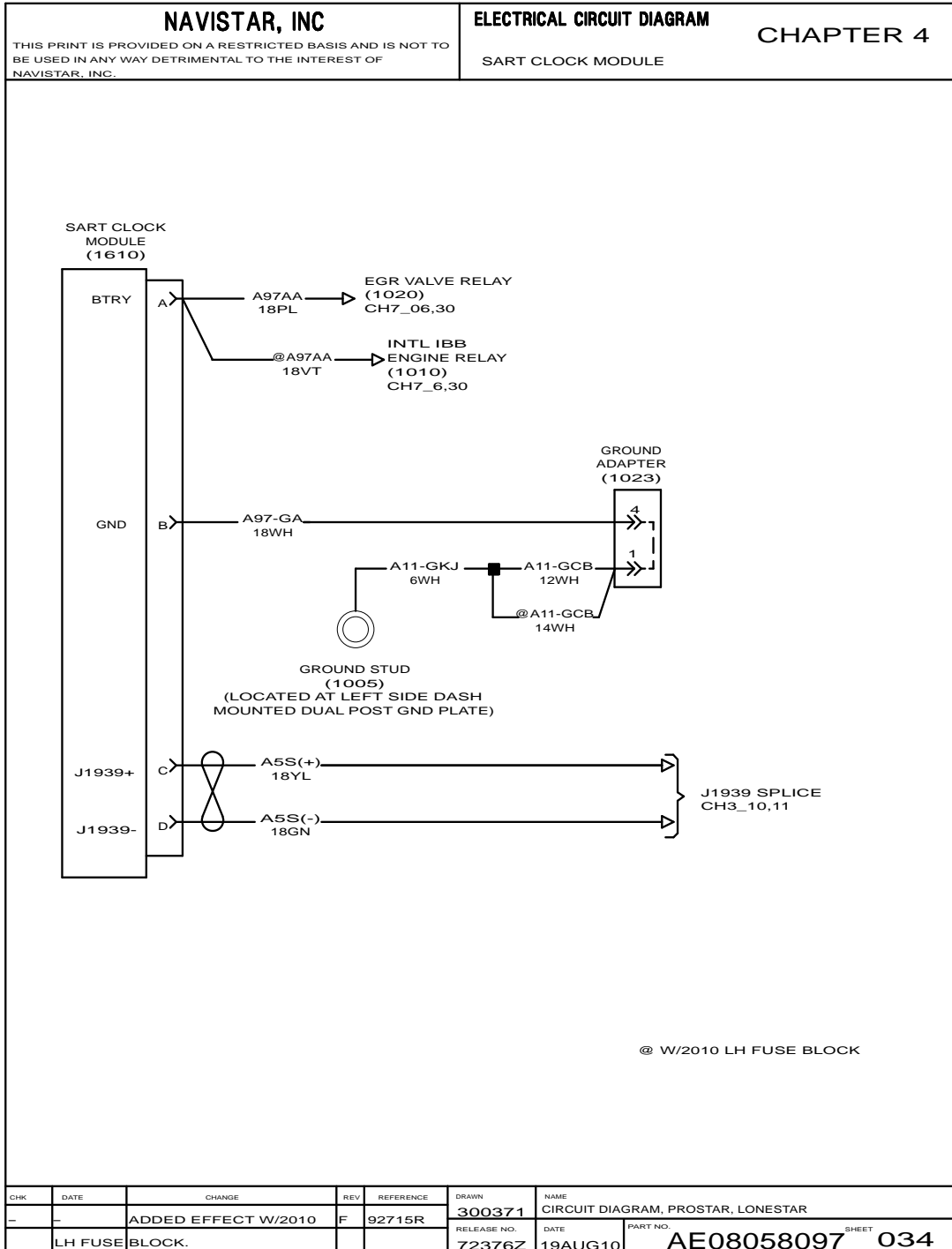


Figure 132 SART Clock Module

4.59. LANE DEPARTURE SYSTEM – TAKATA, P. 35

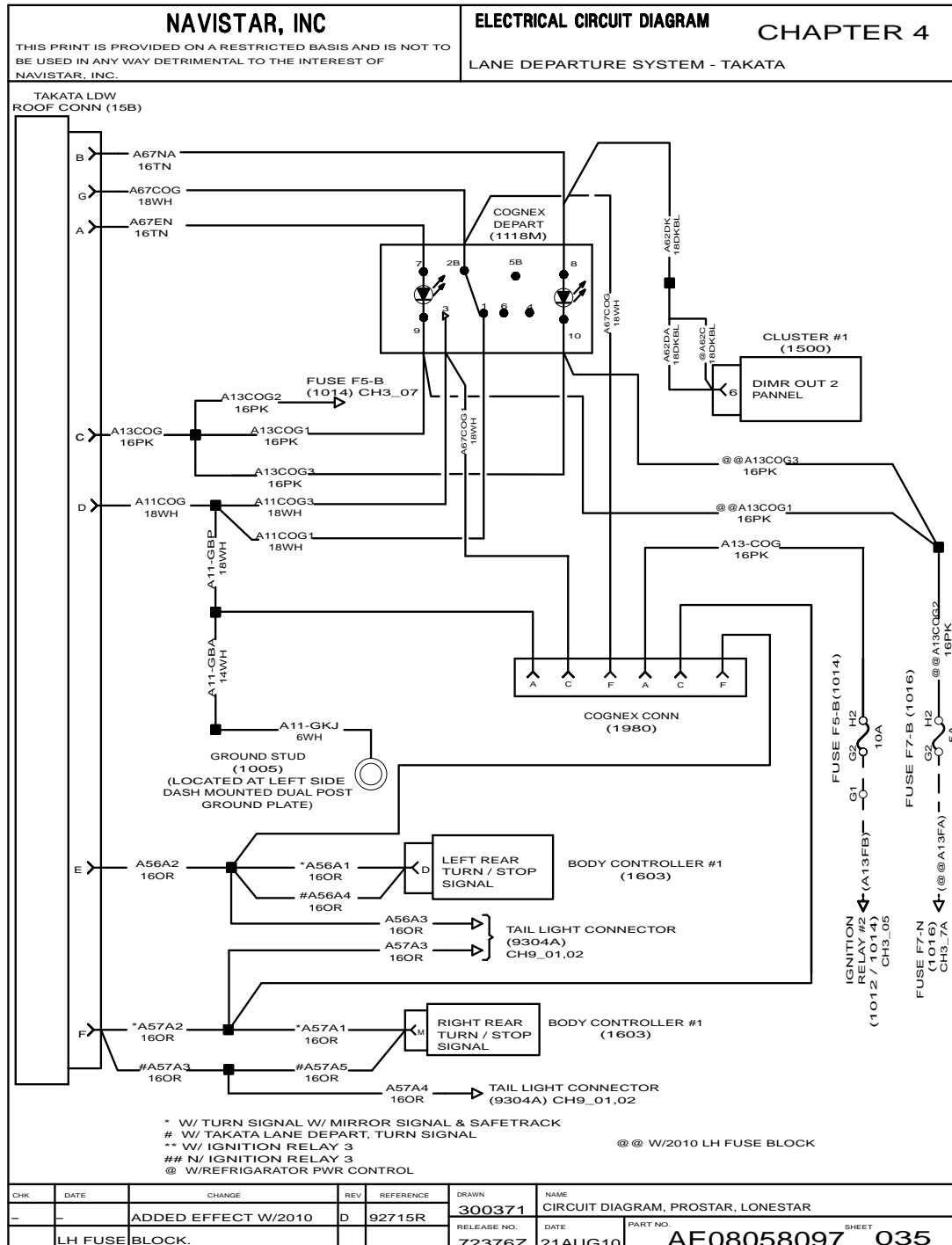


Figure 133 Lane Departure System – Takata



4.61. TRANSLATOR MODULE, P. 37

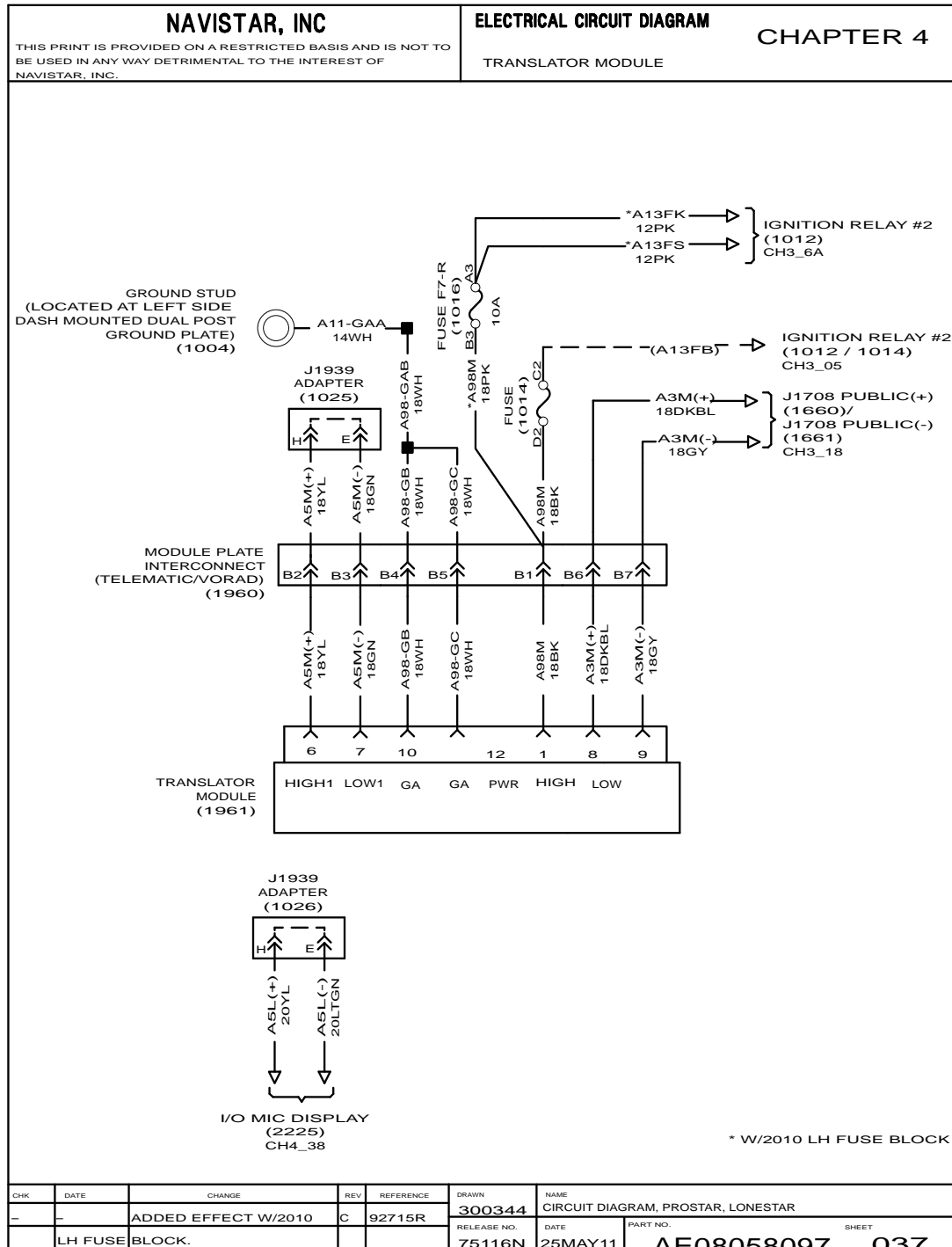


Figure 135 Translator Module

4.62. POWER DISPLAY, P. 38

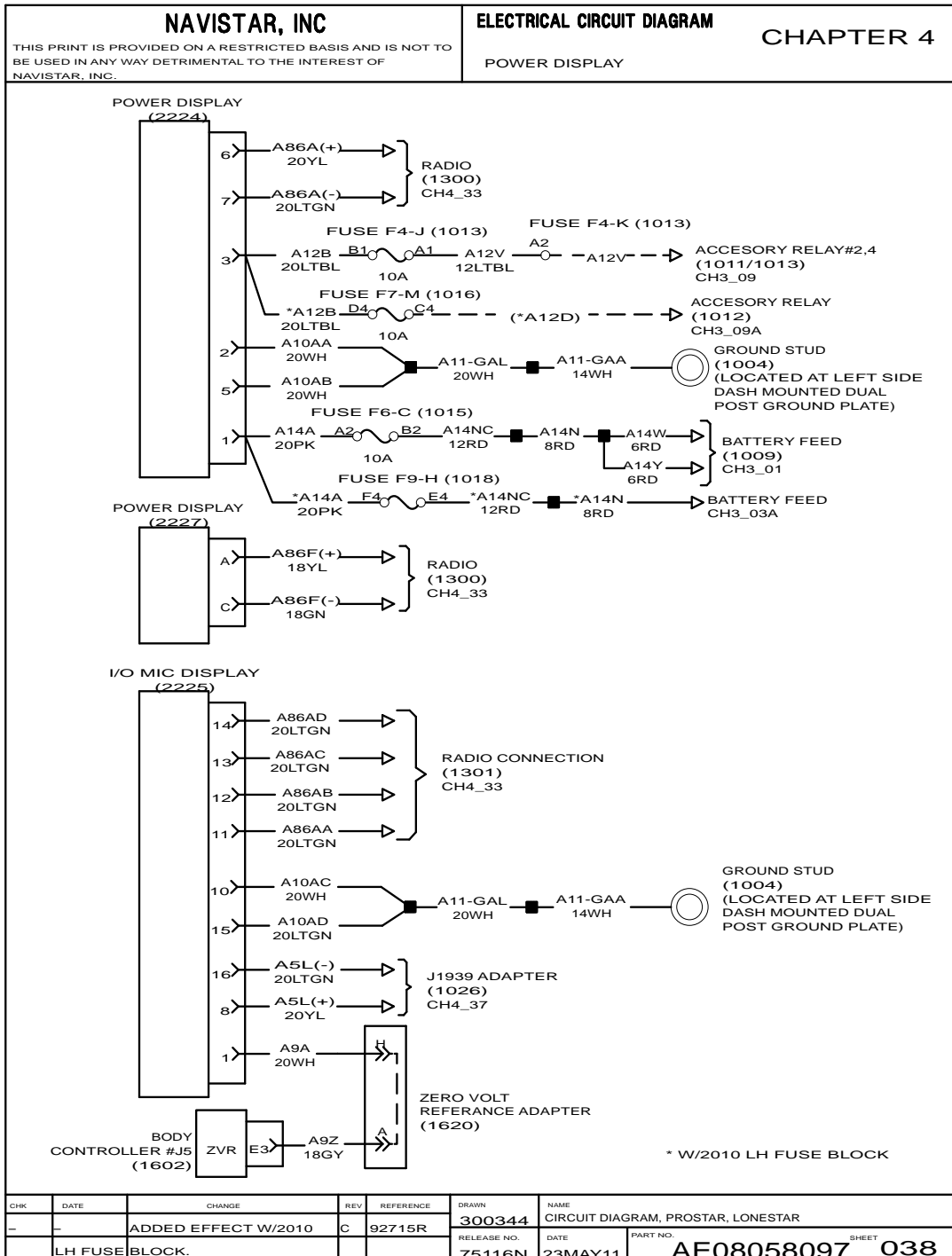


Figure 136 Power Display



4.63. POWER DISPLAY (CONT.), P. 39

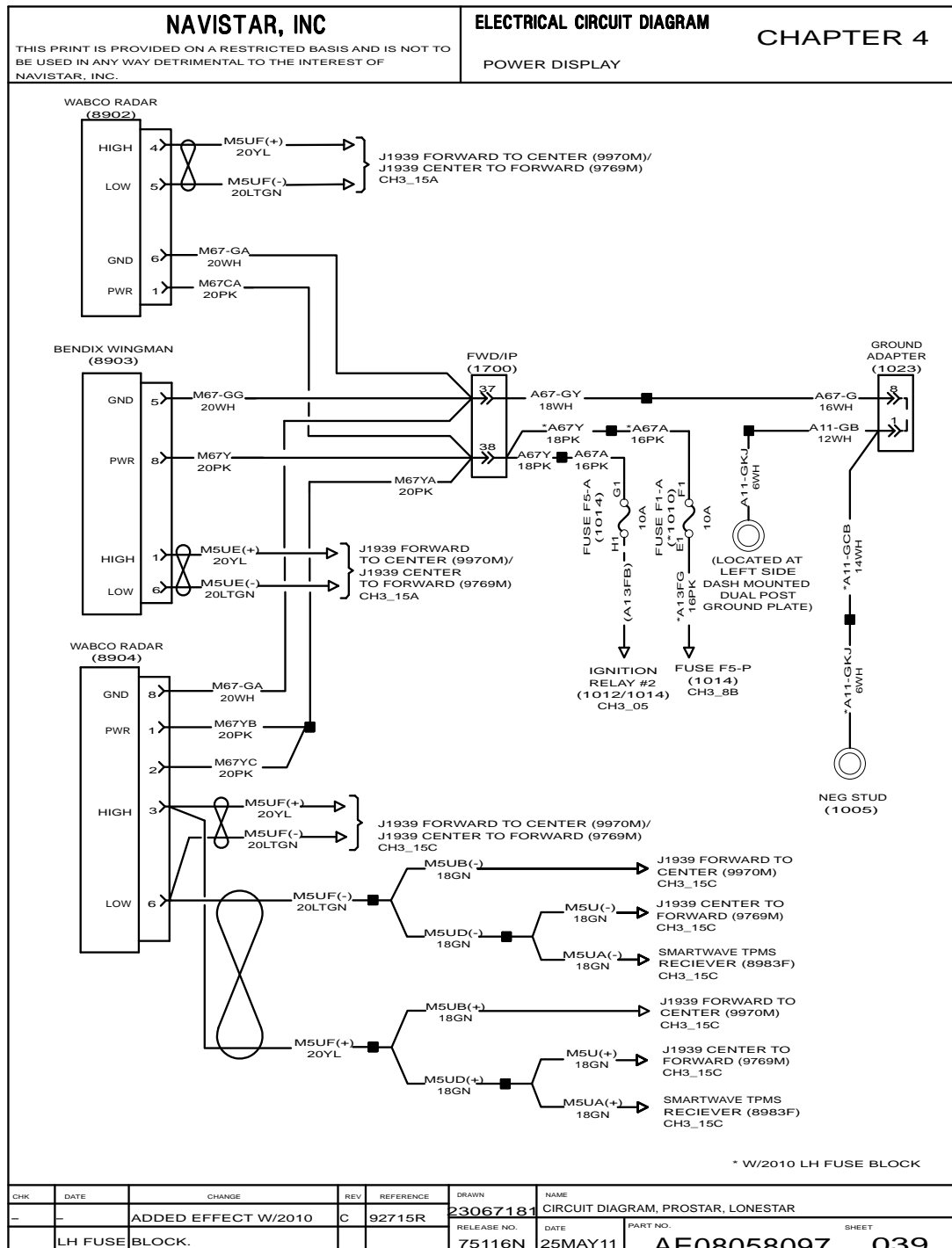


Figure 137 Power Display (Cont.)

4.64. PREWIRE MOBILEYE, P. 40

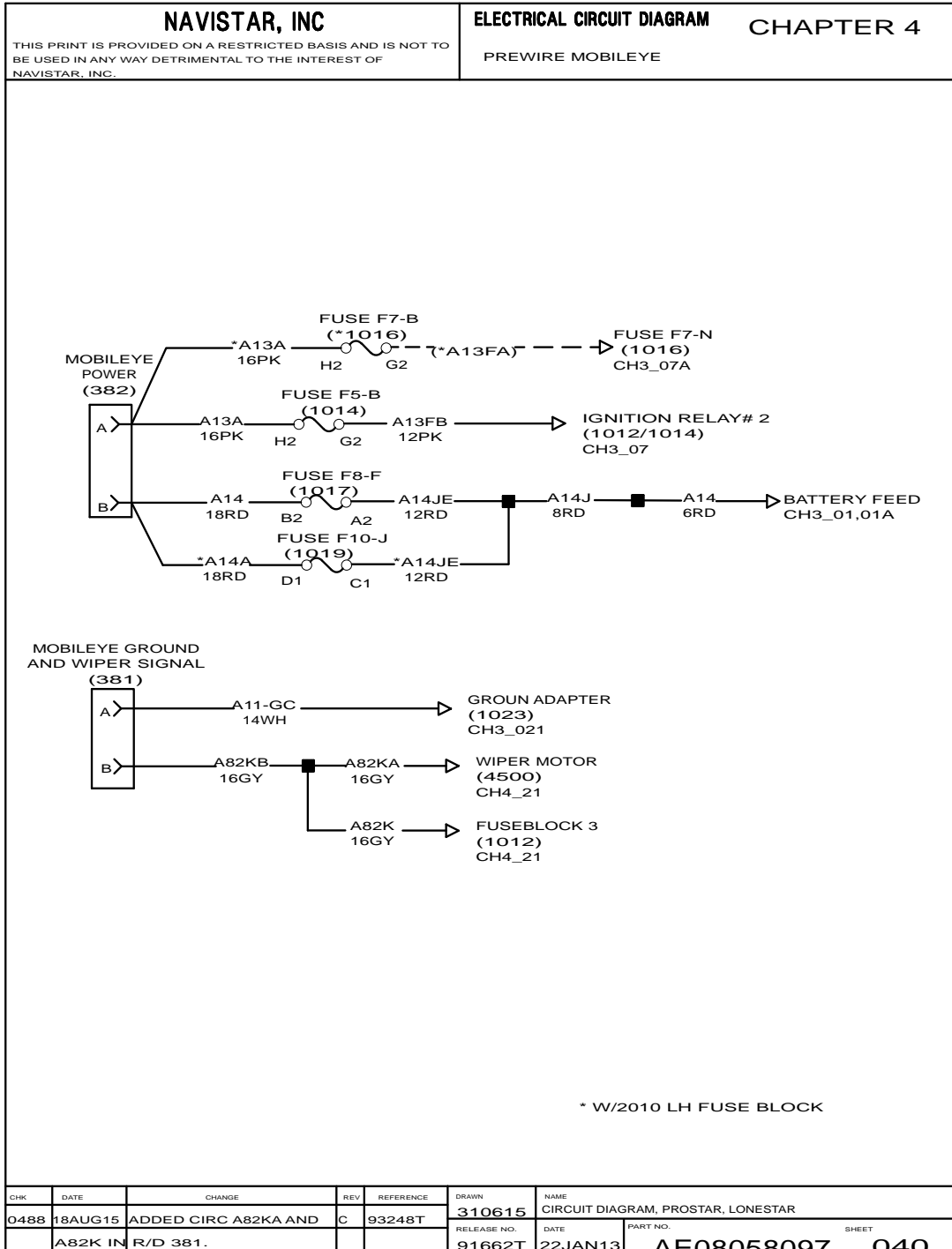


Figure 138 Prewire Mobileye

4.65. INTENTIONALLY LEFT BLANK, P. 41

<b>NAVISTAR, INC</b>				<b>ELECTRICAL CIRCUIT DIAGRAM</b>		<b>CHAPTER 4</b>	
THIS PRINT IS PROVIDED ON A RESTRICTED BASIS AND IS NOT TO BE USED IN ANY WAY DETRIMENTAL TO THE INTEREST OF NAVISTAR, INC.				INTENTIONALLY LEFT BLANK			
INTENTIONALLY LEFT BLANK							
CHK	DATE	CHANGE	REV	REFERENCE	DRAWN	NAME	
0638	14OCT14	INITIAL RELEASE.	A	92715R	23134937	CIRCUIT DIAGRAM, PROSTAR, LONESTAR	
					RELEASE NO.	DATE	PART NO.
					92715R	06OCT14	AE08058097 041

Figure 139 Intentionally Left Blank

4.66. INTENTIONALLY LEFT BLANK, P. 42

<b>NAVISTAR, INC</b>				<b>ELECTRICAL CIRCUIT DIAGRAM</b>				<b>CHAPTER 4</b>							
THIS PRINT IS PROVIDED ON A RESTRICTED BASIS AND IS NOT TO BE USED IN ANY WAY DETRIMENTAL TO THE INTEREST OF NAVISTAR, INC.								INTENTIONALLY LEFT BLANK							
INTENTIONALLY LEFT BLANK															
CHK	DATE	CHANGE	REV	REFERENCE	DRAWN	NAME									
0638	14OCT14	INITIAL RELEASE.	A	92715R	23134937	CIRCUIT DIAGRAM, PROSTAR, LONESTAR									
					RELEASE NO.	DATE	PART NO.	SHEET							
					92715R	06OCT14	AE08058097	042							

Figure 140 Intentionally Left Blank

4.67. DRIVER DISPLAY – VEHICLE INFORMATION, P. 43

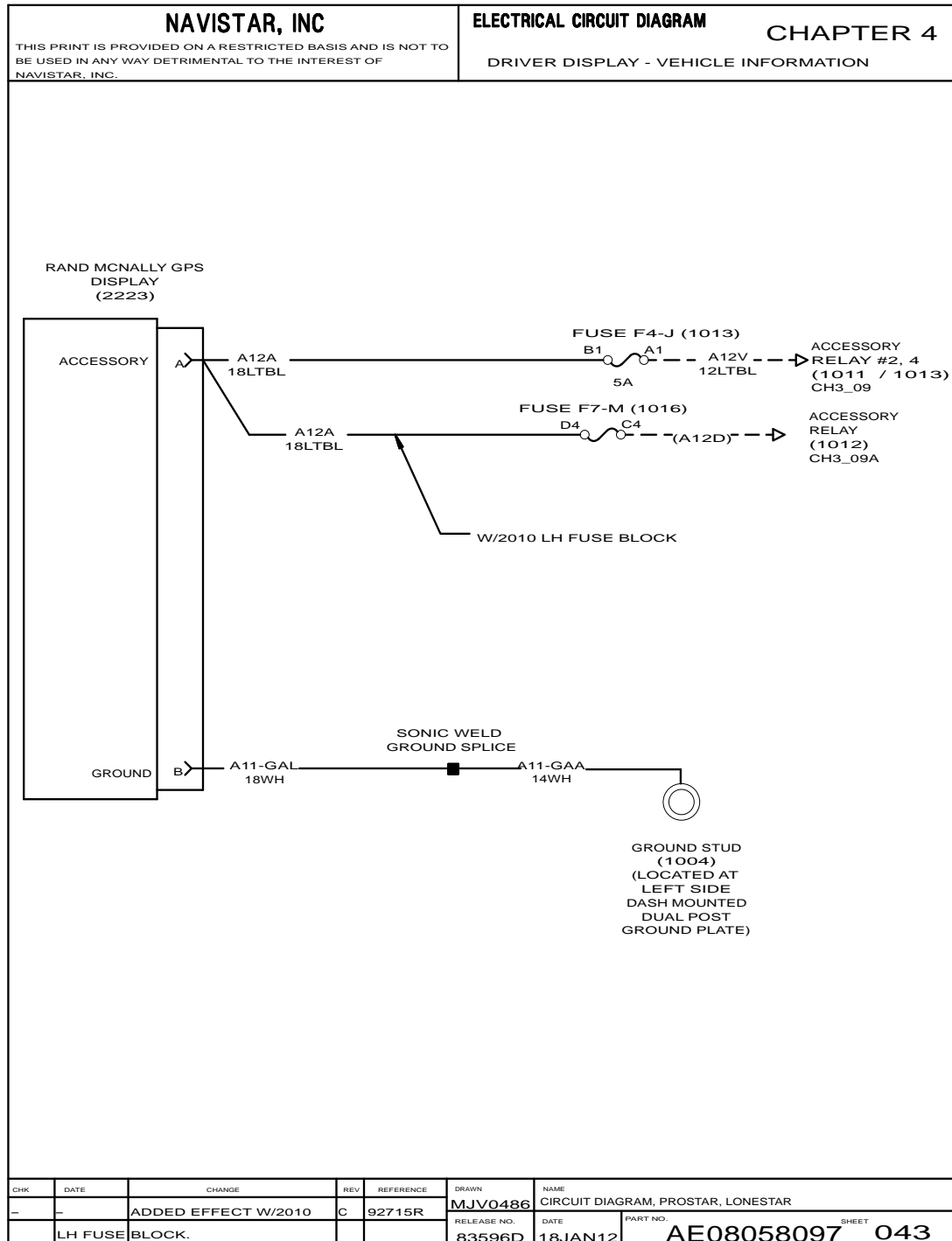


Figure 141 Driver Display – Vehicle Information

4.68. INTENTIONALLY LEFT BLANK, P. 44

<b>NAVISTAR, INC</b> <small>THIS PRINT IS PROVIDED ON A RESTRICTED BASIS AND IS NOT TO BE USED IN ANY WAY DETRIMENTAL TO THE INTEREST OF NAVISTAR, INC.</small>					ELECTRICAL CIRCUIT DIAGRAM		<b>CHAPTER 4</b>	
					INTENTIONALLY LEFT BLANK			
INTENTIONALLY LEFT BLANK								
CHK	DATE	CHANGE	REV	REFERENCE	DRAWN	NAME		
0610	12NOV13	GEOMETRY REMOVE.	B	90656P	MJV0088	CIRCUIT DIAGRAM, PORSTAR, LONESTAR		
					RELEASE NO.	DATE	PART NO.	SHEET
					92050H	30MAY13	AE08058097	044

Figure 142 Intentionally Left Blank

4.69. ROOF / TACHOGRAPH WITH RUSSIAN PROSTAR, P. 45

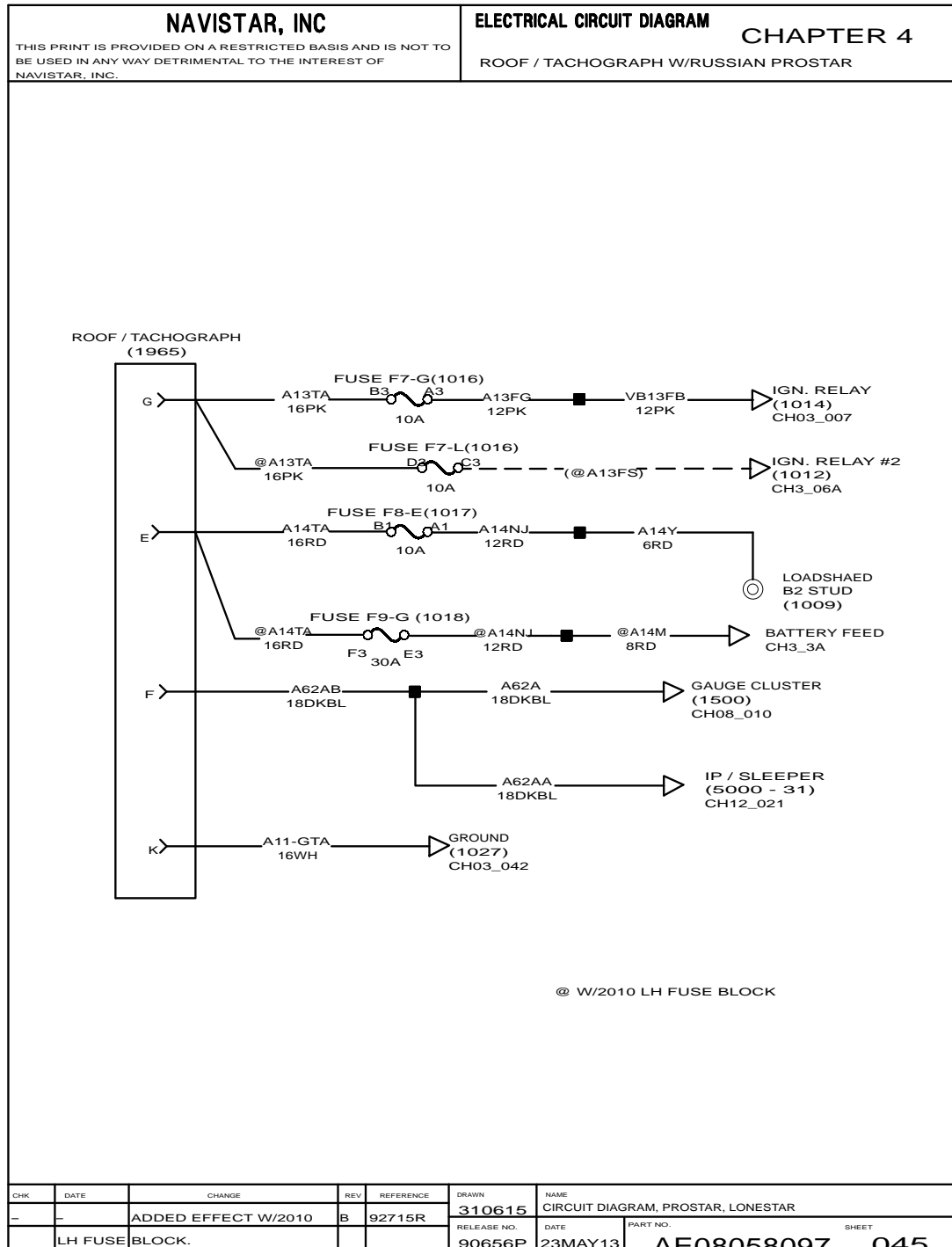


Figure 143 Roof / Tachograph with Russian Prostar

4.70. 4-WIRE CLOCK SPRING MODULE, P. 46

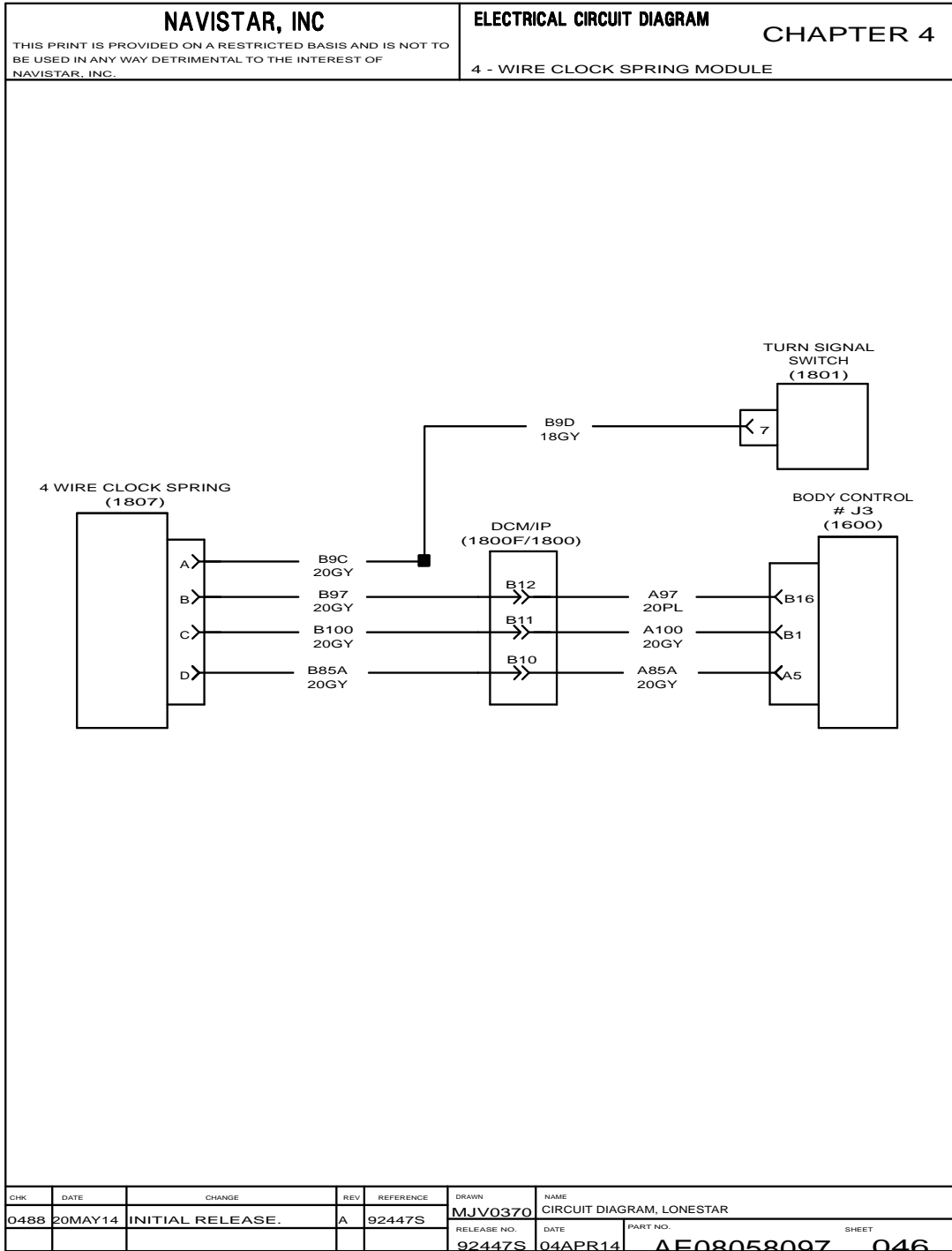


Figure 144 4-Wire Clock Spring Module



4.71. SDP CONN (BENDIX FUSION), P. 47

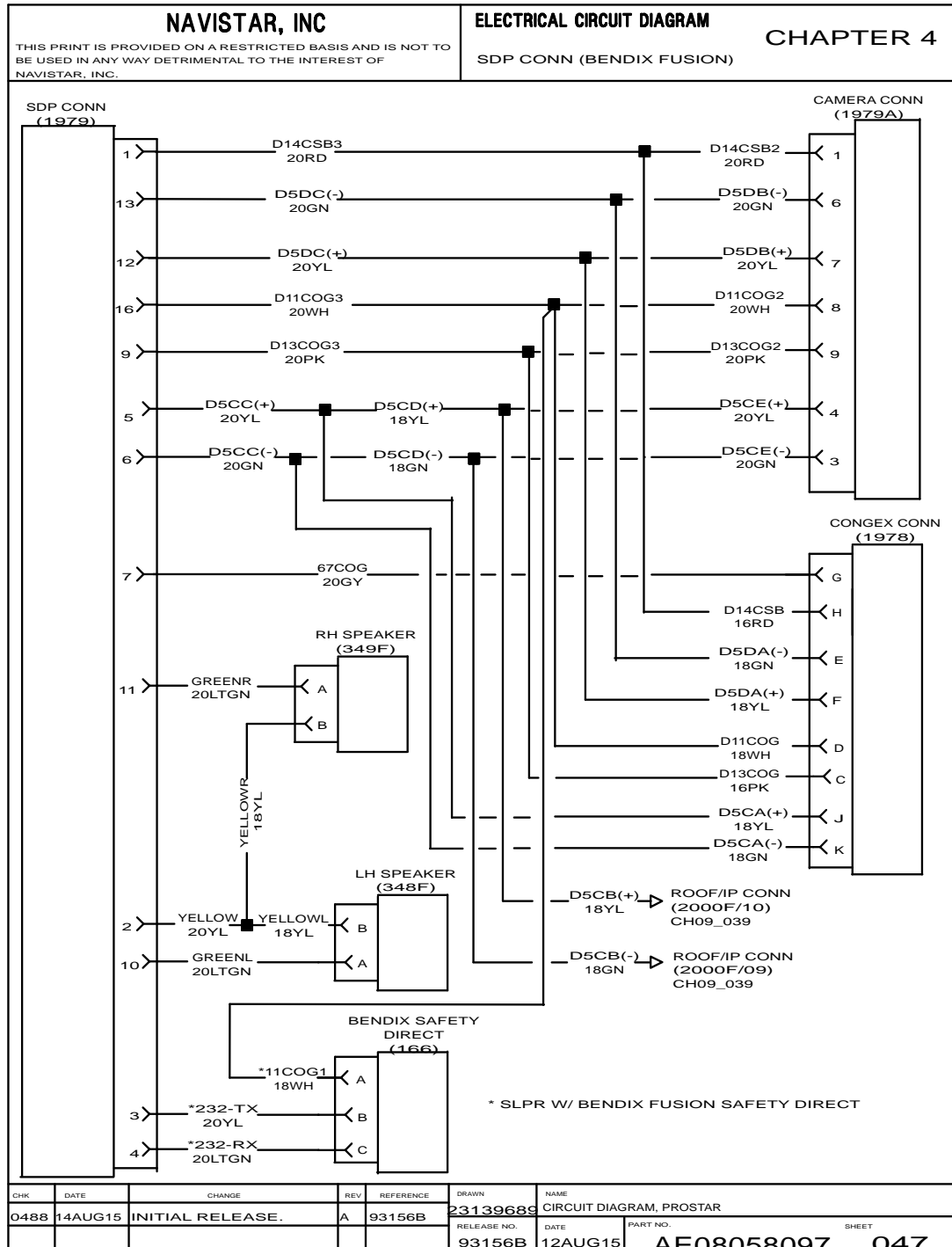


Figure 145 SDP Conn (Bendix Fusion)

4.72. DRIVER SEAT POWER (BENDIX FUSION), P. 48

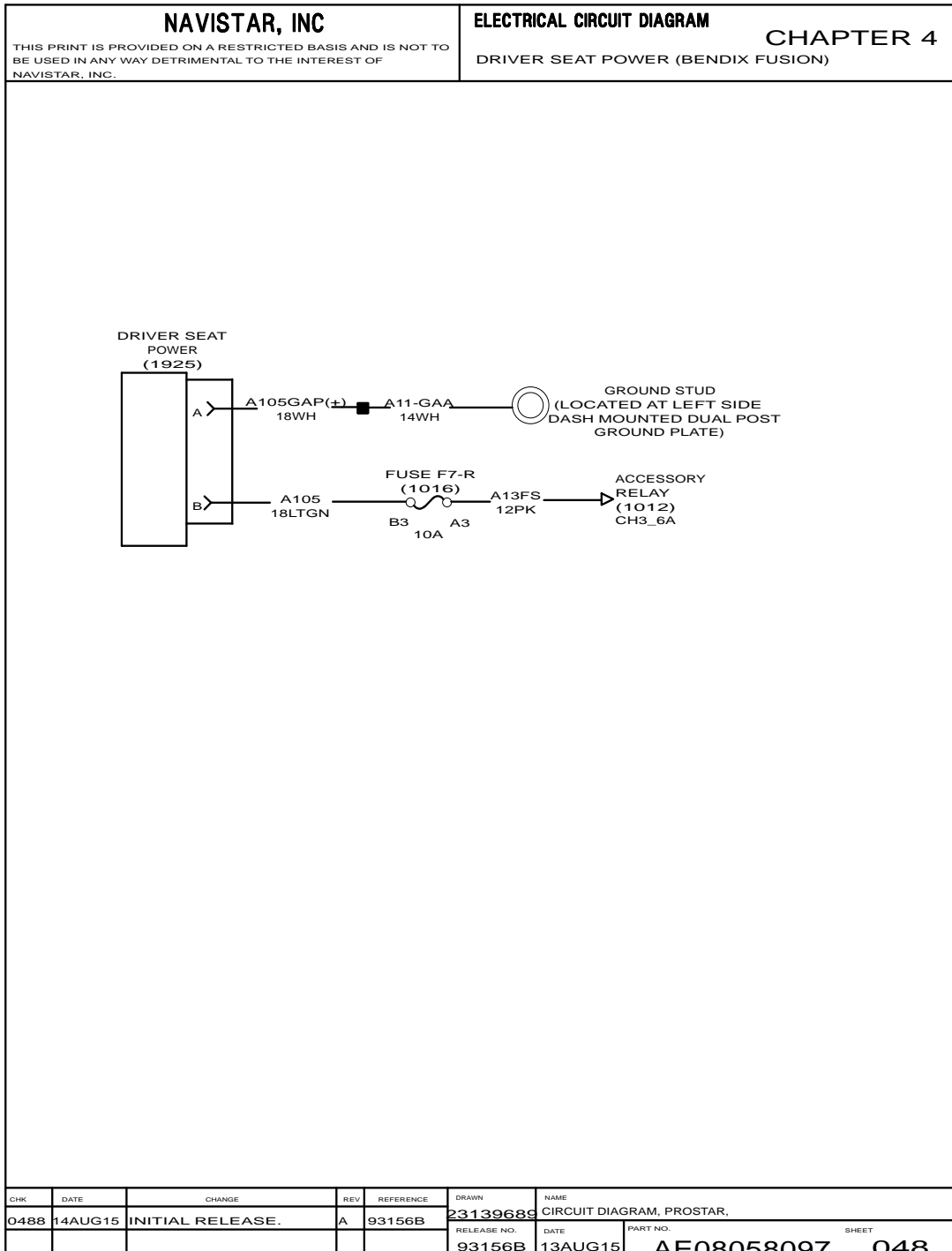


Figure 146 Driver Seat Power (Bendix Fusion)

4.73. NEXT GEN CRUISE CONTROL, P. 49

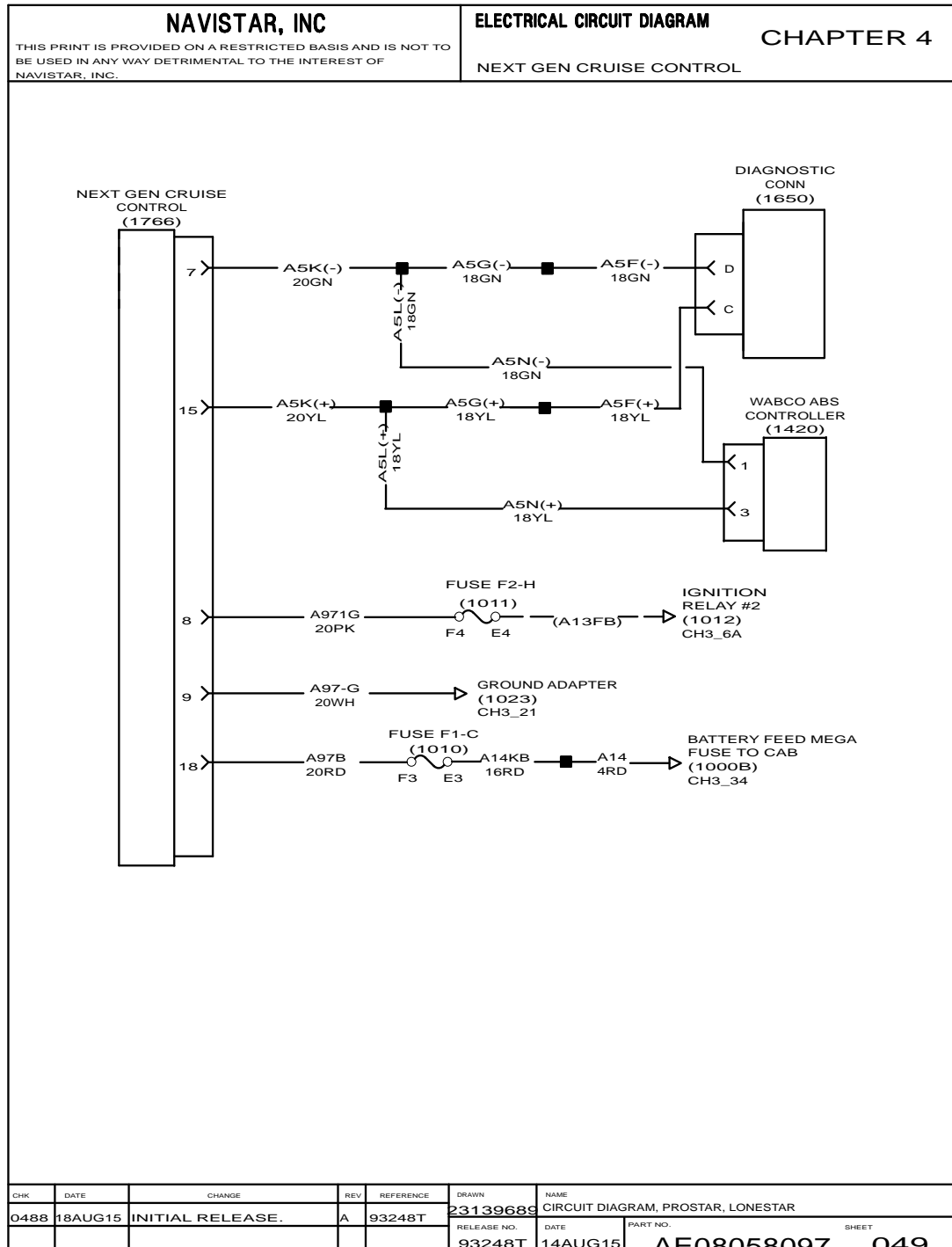


Figure 147 Next Gen Cruise Control

# CHARGING AND CRANKING SYSTEM (CHAPTER 5)

## 5.1. CHARGING AND CRANKING – MANUAL TRANSMISSION, P. 1

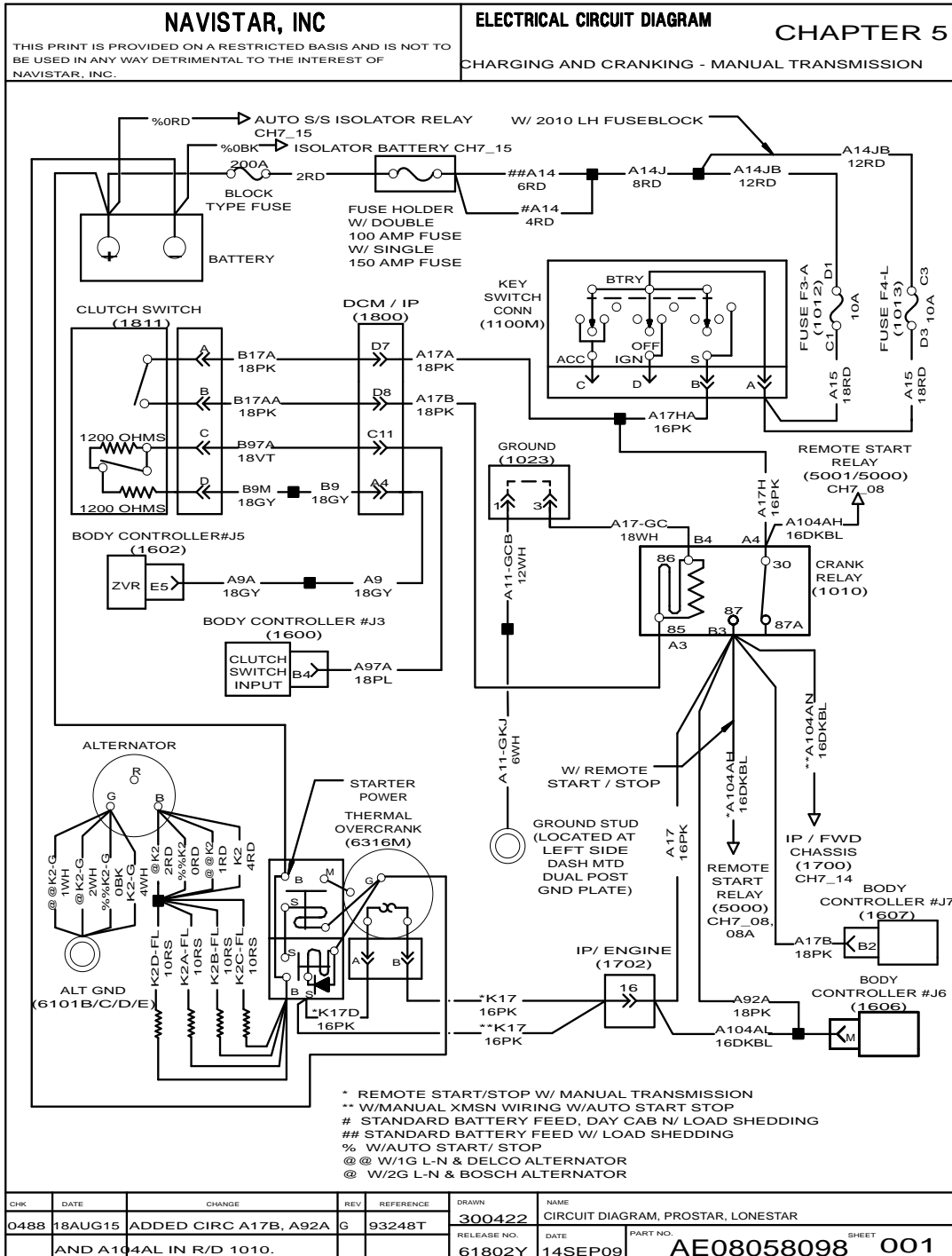


Figure 148 Charging and Cranking – Manual Transmission

5.2. CHARGING AND CRANKING – AUTOMATIC TRANSMISSION, P. 2

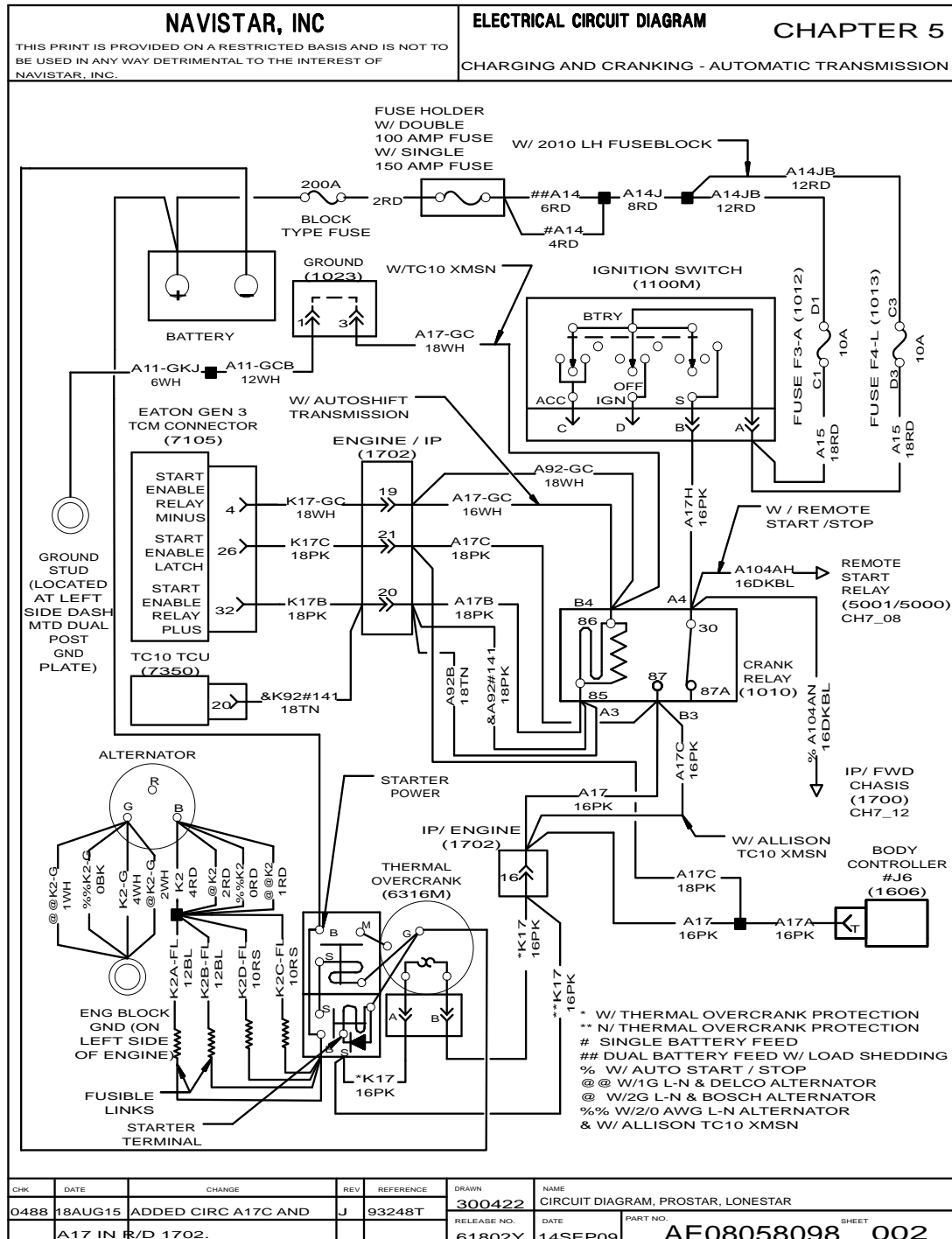


Figure 149 Charging and Cranking – Automatic Transmission

## FAN WIRING (CHAPTER 6)

### 6.1. FAN WIRING – IBB ENGINE AND 2010 SCR 13L ENGINE, P. 1

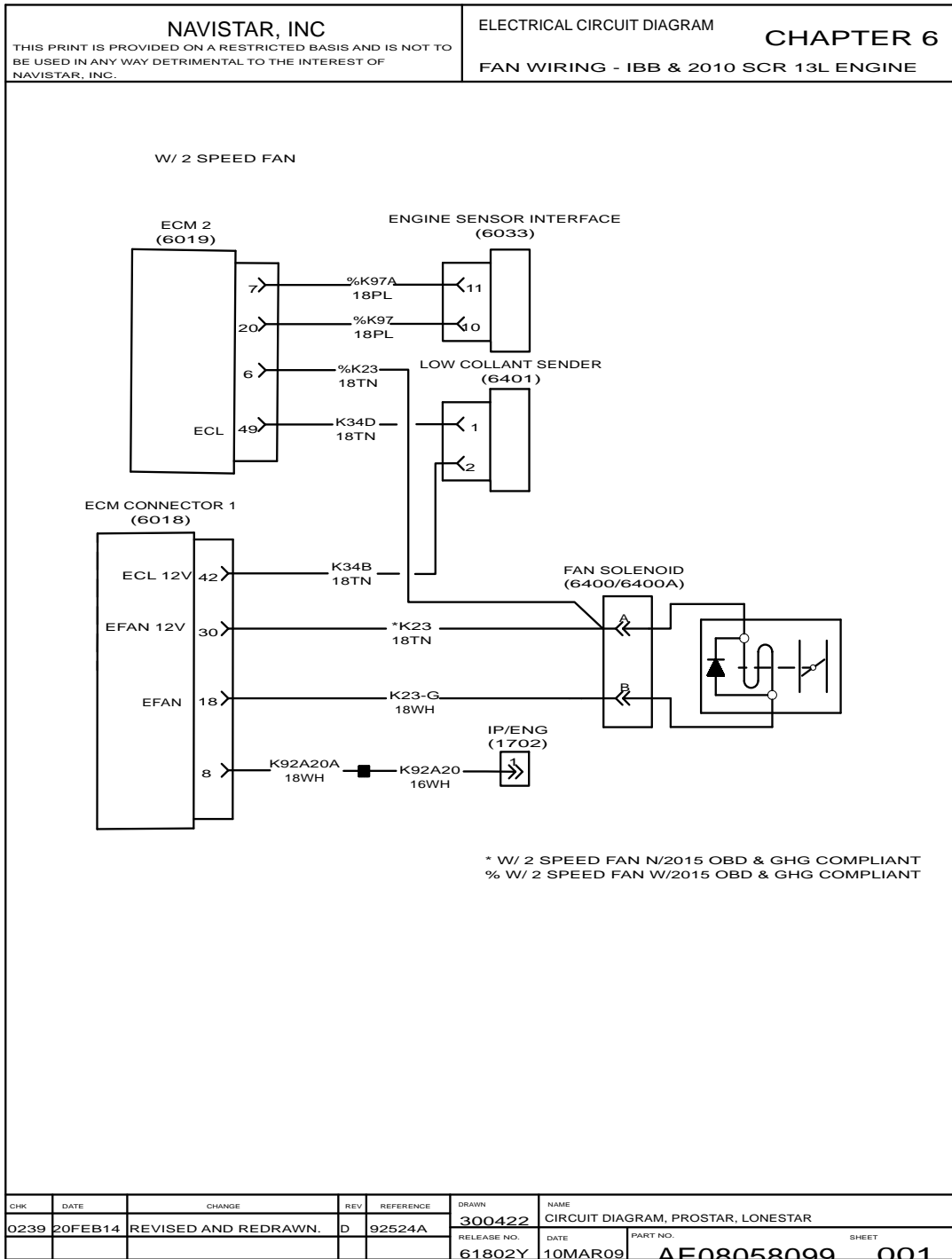


Figure 150 Fan Wiring – IBB Engine and 2010 SCR 13L Engine

6.2. FAN AND ETHER START WITH ISX (2013), P. 1A

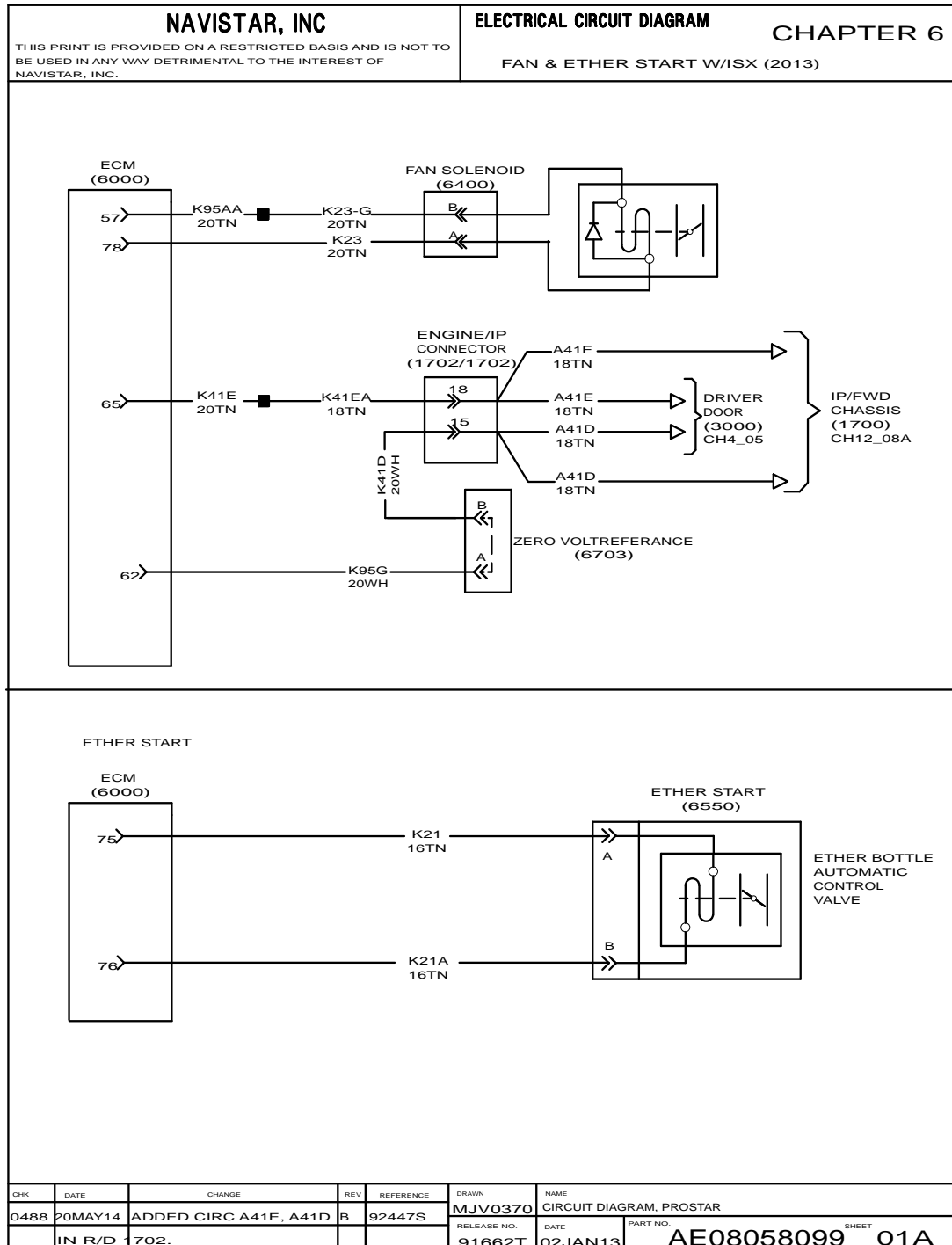


Figure 151 Fan and Ether Start with ISX (2013)

CHK	DATE	CHANGE	REV	REFERENCE	DRAWN	NAME
0488	20MAY14	ADDED CIRC A41E, A41D	B	92447S	MJV0370	CIRCUIT DIAGRAM, PROSTAR
	IN R/D	702.			RELEASE NO.	DATE
					91662T	02JAN13
					PART NO.	SHEET
					AE08058099	01A

6.3. STARTING AID – COLD START ASSIST (IBB AND 2010 SCR 13L ENGINE), P. 2

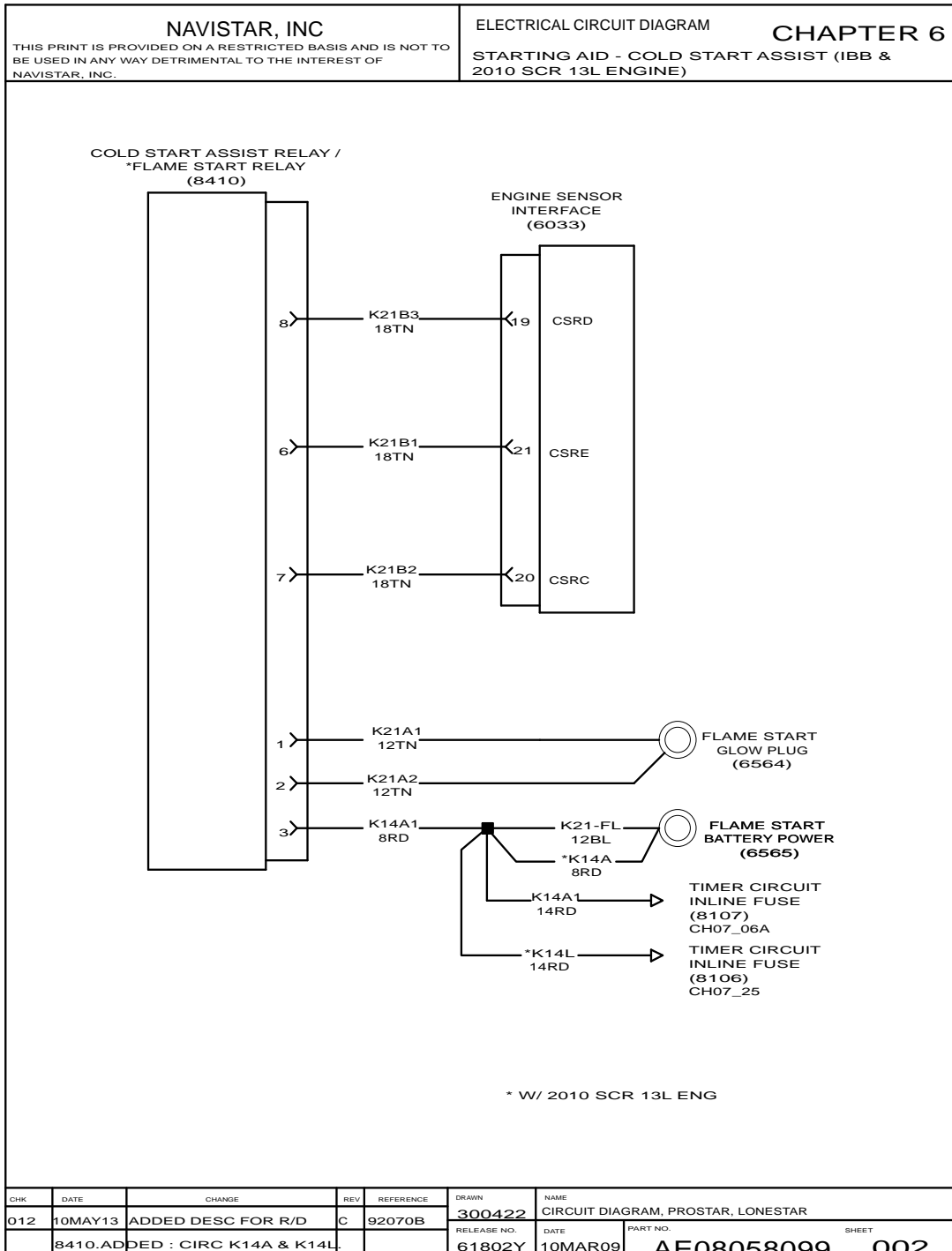


Figure 152 Starting Aid – Cold Start Assist (IBB and 2010 SCR 13L Engine)



6.4. FAN WIRING IBB & 2010 SCR 13L ENGINE, P. 2A

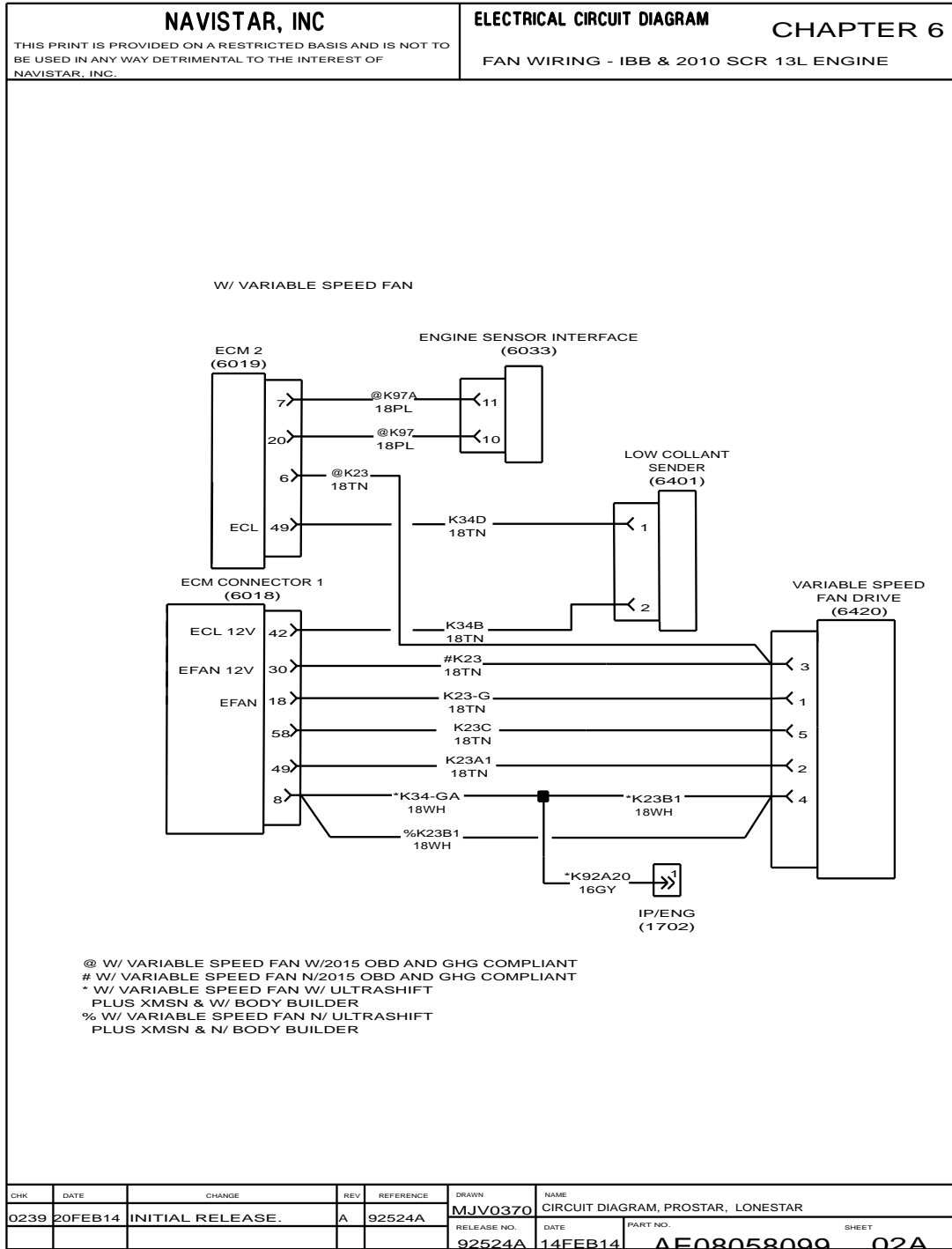


Figure 153 Fan Wiring IBB & 2010 SCR 13L Engine

6.5. FAN AND ETHER START WITH 2013 INTL IBB ENGINE, P. 3

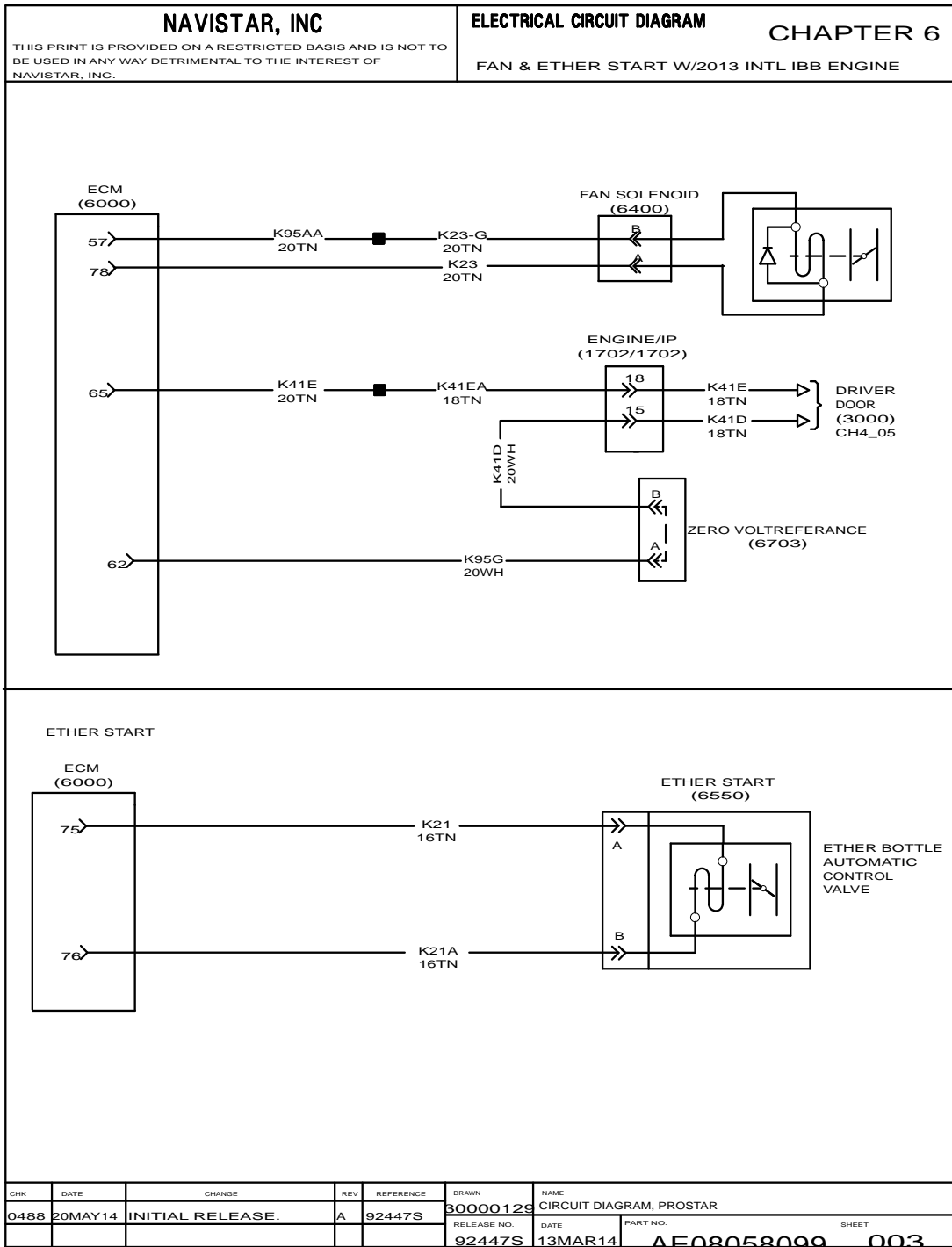


Figure 154 Fan and Ether Start with 2013 Intl Ibb Engine

# ENGINES (CHAPTER 7)

## 7.1. ELECTRONIC ENGINE CONTROLS (2010 IBB ENGINE), P. 1

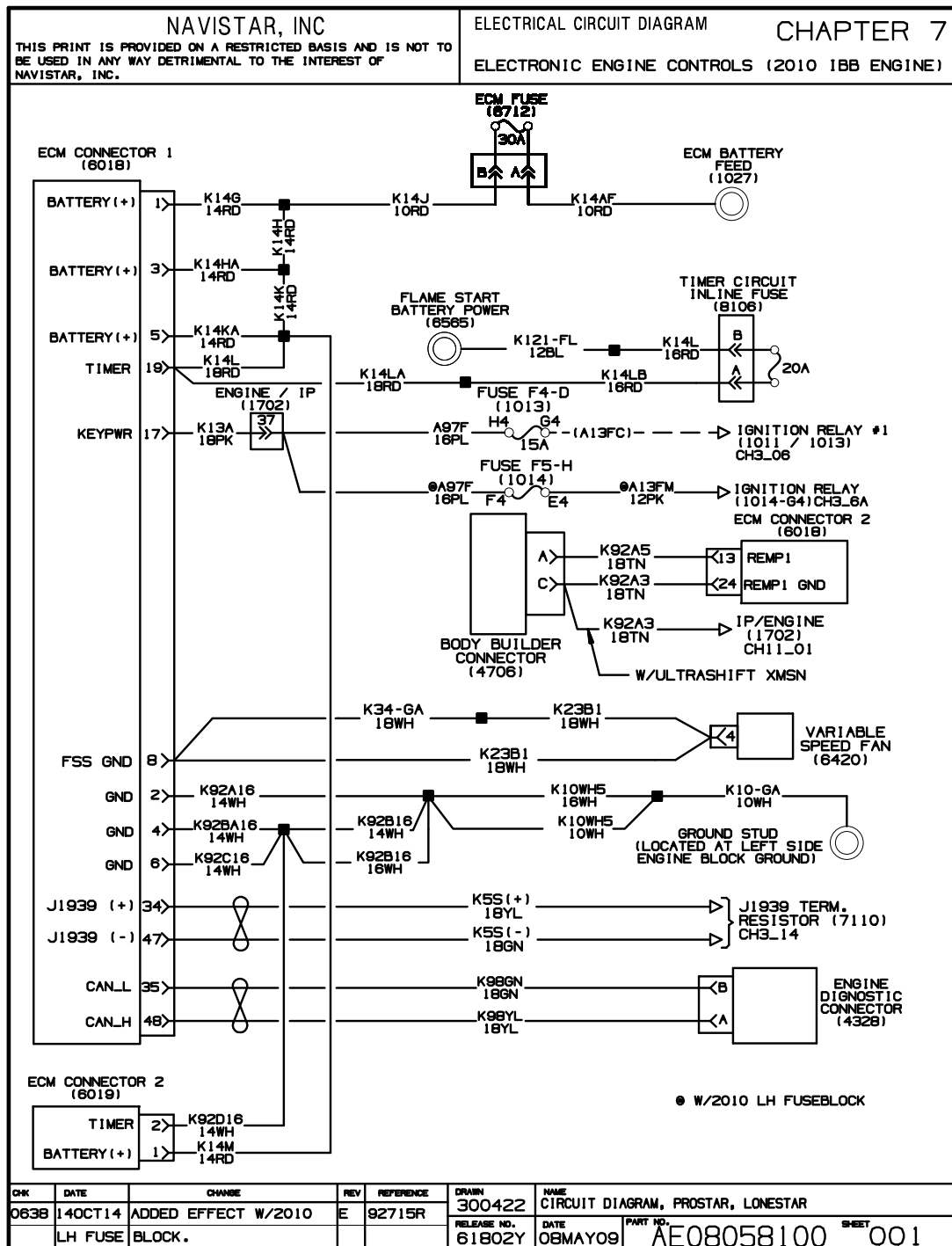


Figure 155 Electronic Engine Controls (2010 IBB Engine)

7.2. ELECTRONIC ENGINE CONTROLS (2010 IBB ENGINE) (CONT.), P. 2

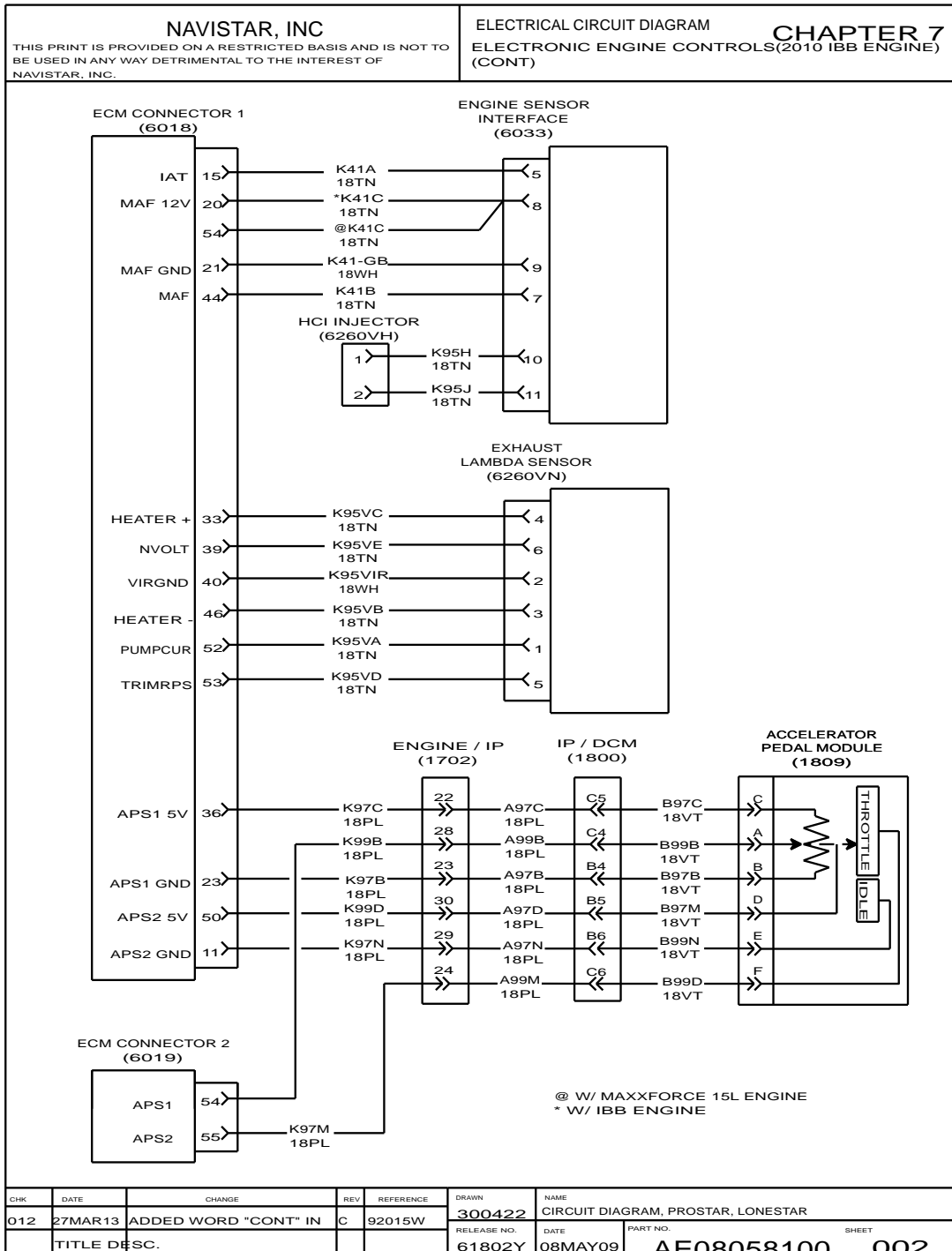


Figure 156 Electronic Engine Controls (2010 IBB Engine) (Cont.)

7.3. ELECTRONIC ENGINE CONTROLS (2010 IBB ENGINE) (CONT.), P. 3

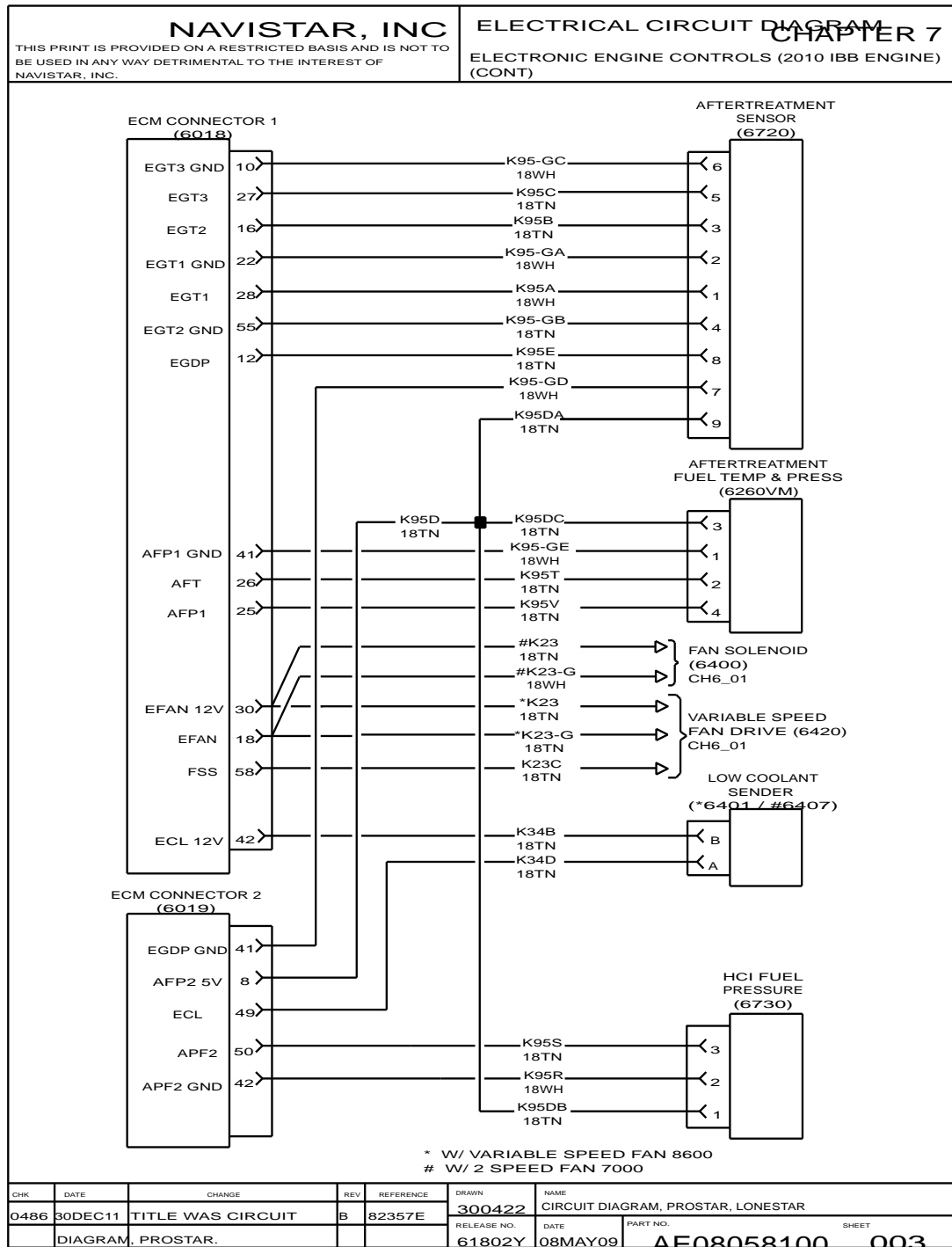


Figure 157 Electronic Engine Controls (2010 IBB Engine) (Cont.)

7.4. ELECTRONIC ENGINE CONTROLS (2010 IBB ENGINE) (CONT.), P. 4

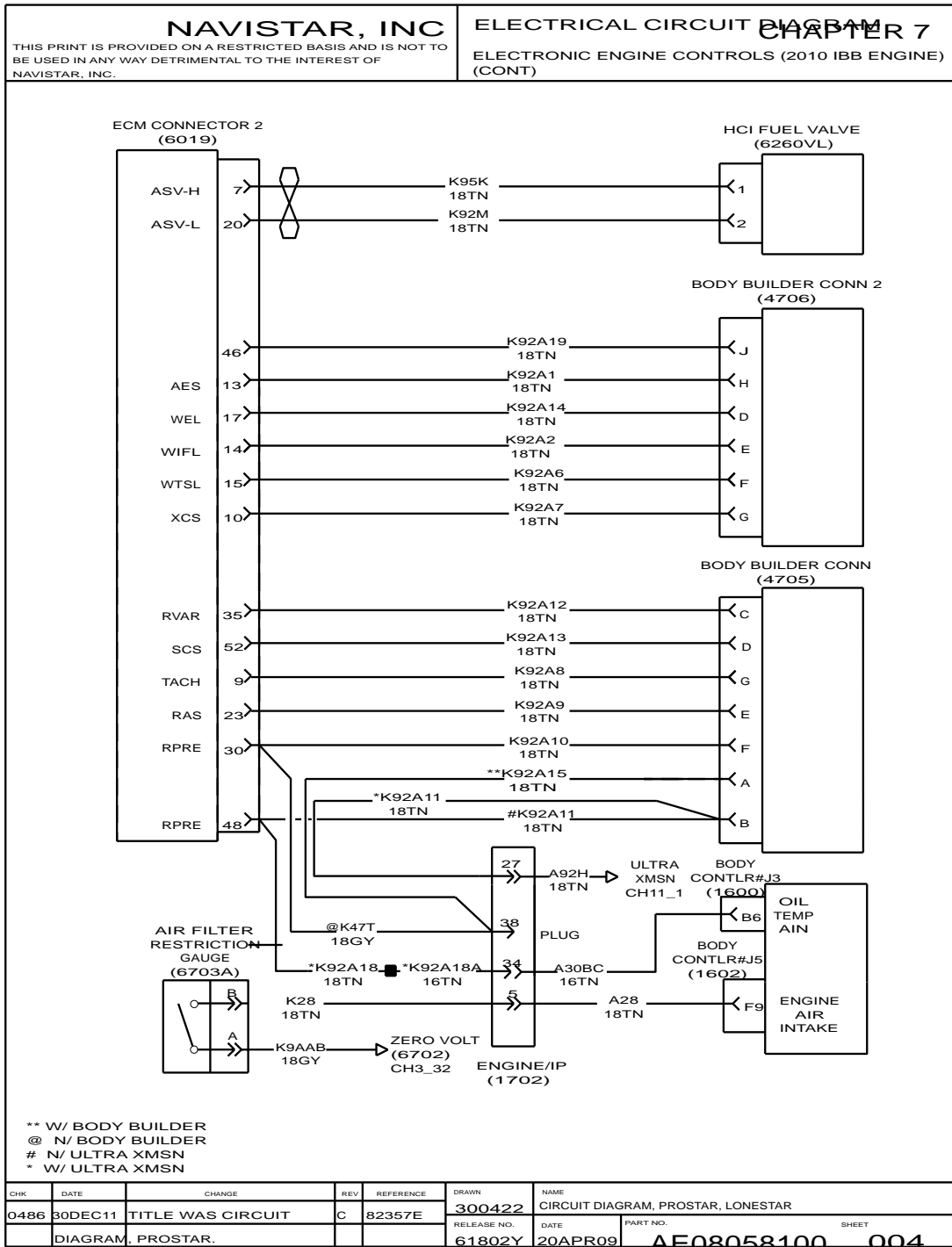


Figure 158 Electronic Engine Controls (2010 IBB Engine) (Cont.)

7.5. ELECTRONIC ENGINE CONTROLS (2010 IBB ENGINE) (CONT.), P. 5

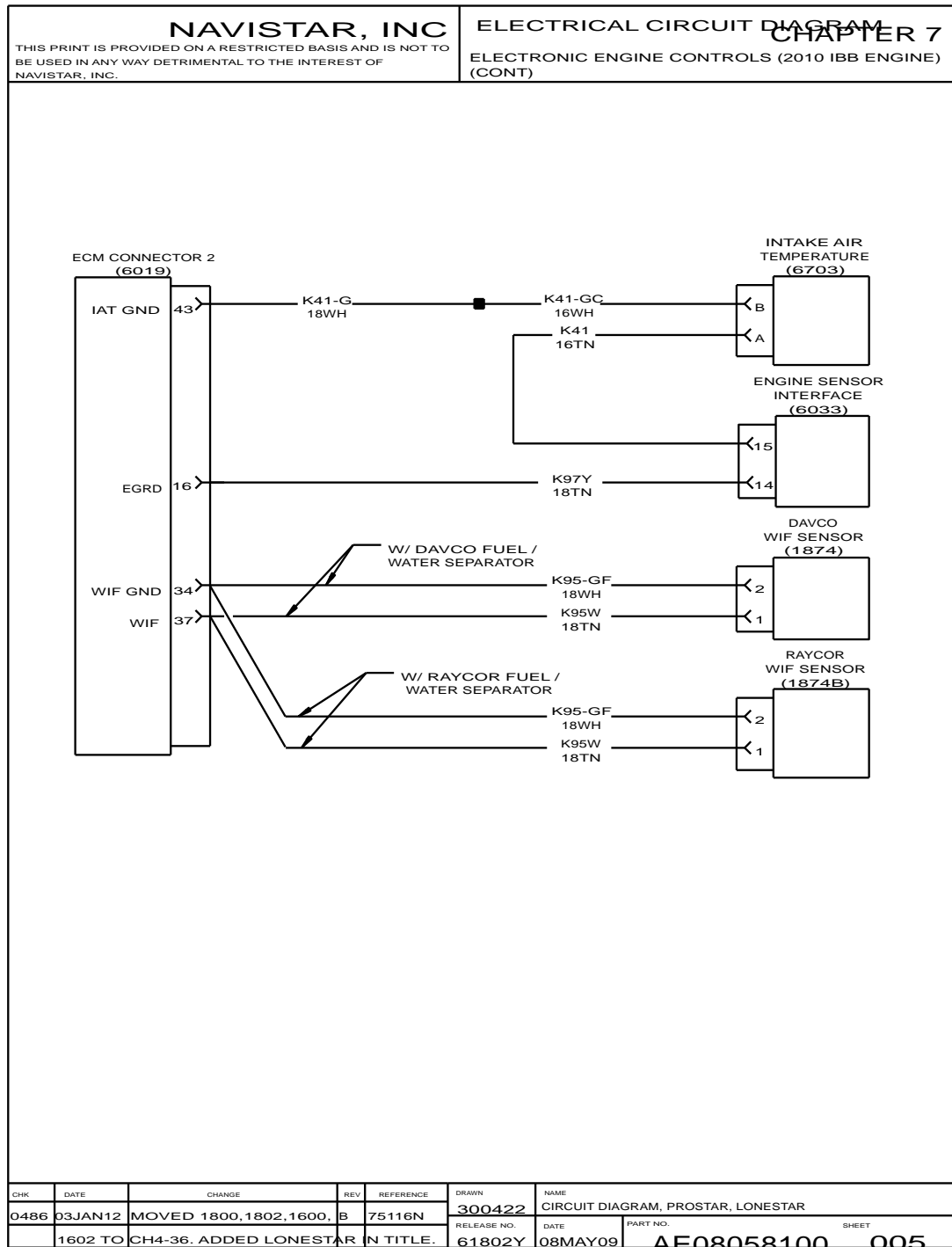


Figure 159 Electronic Engine Controls (2010 IBB Engine) (Cont.)

7.6. ELECTRONIC ENGINE CONTROLS (2010 IBB ENGINE) (CONT.), P. 6

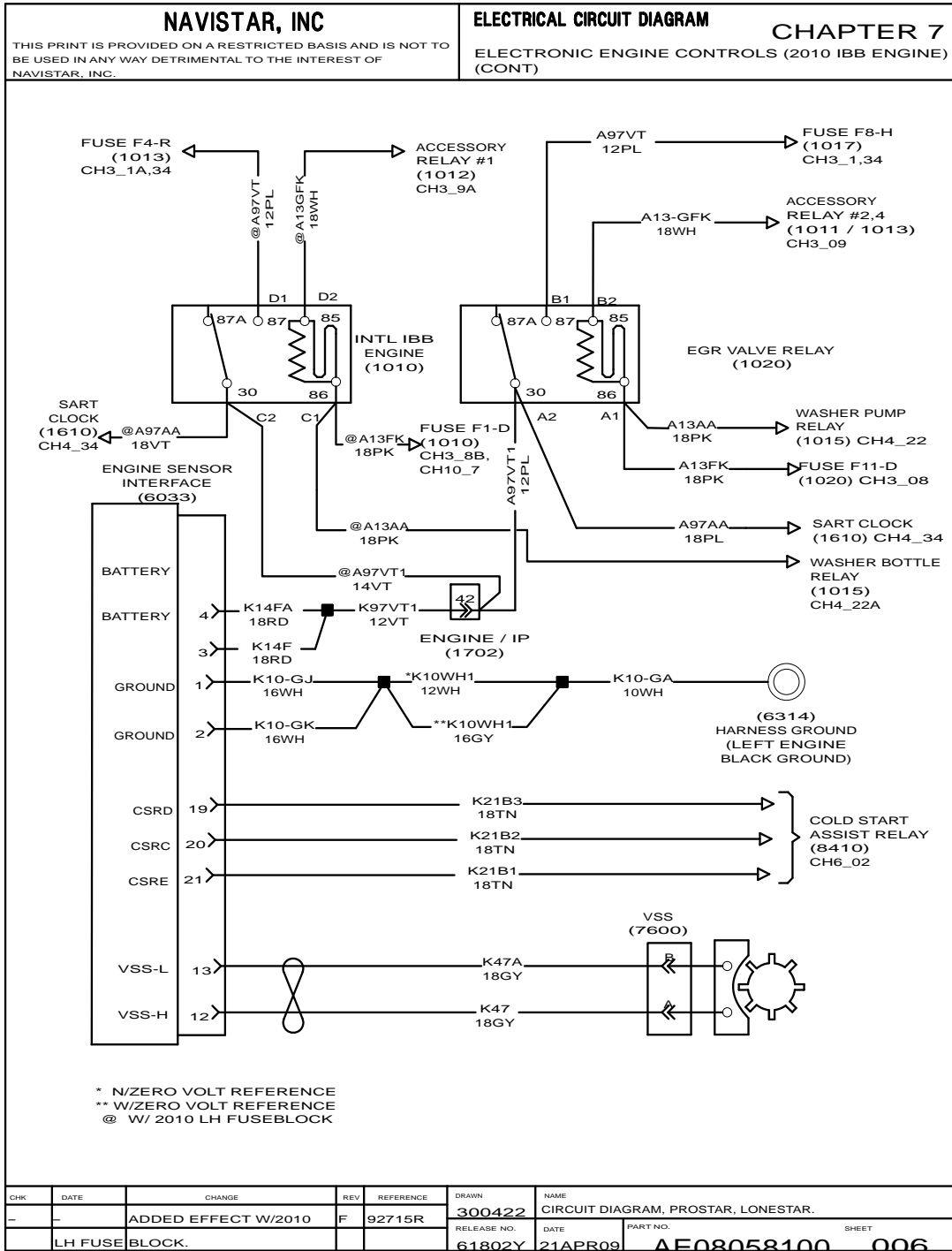


Figure 160 Electronic Engine Controls (2010 IBB Engine) (Cont.)



7.7. ELECTRONIC ENGINE CONTROLS – MAXXFORCE 15 LITRE, P. 6A

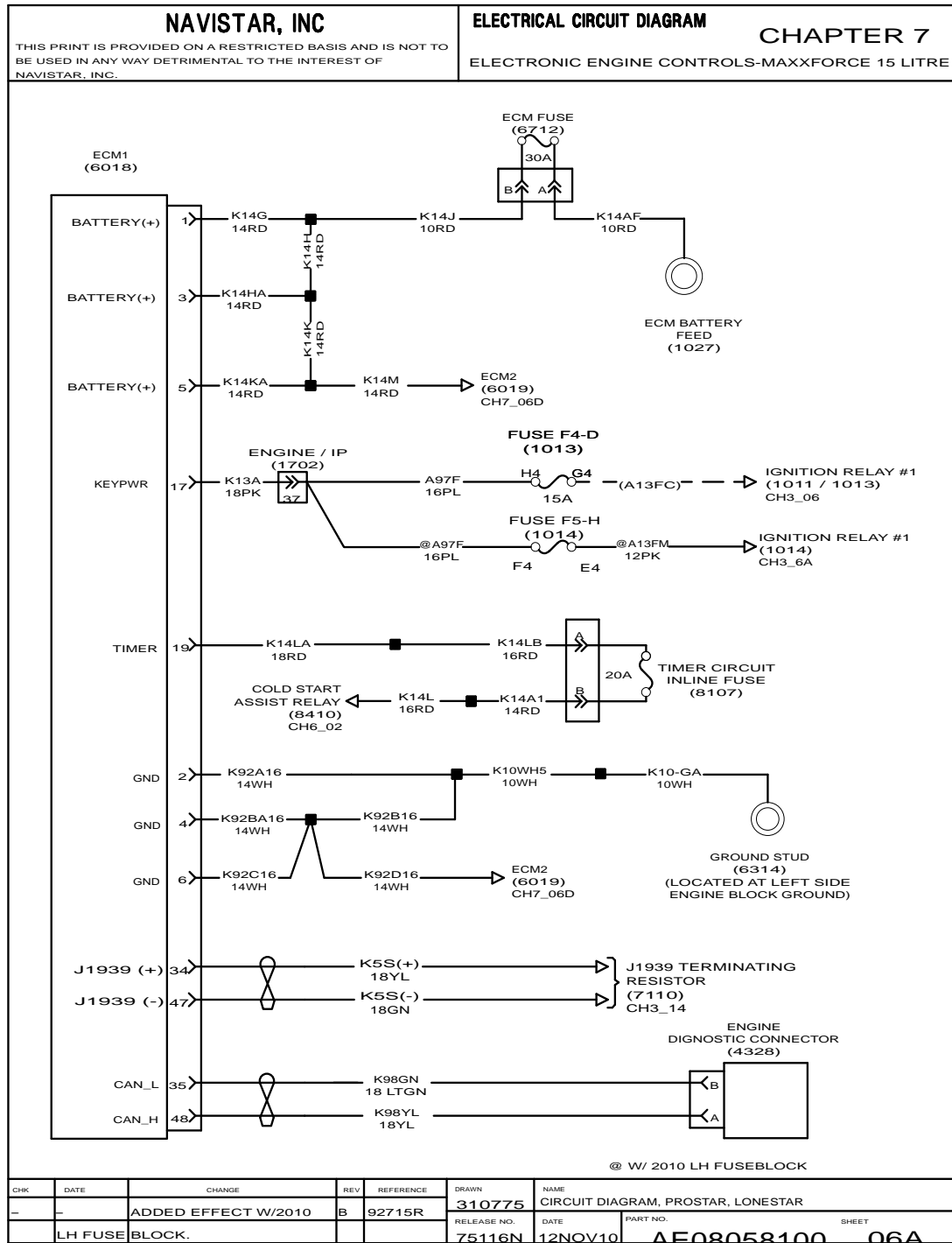


Figure 161 Electronic Engine Controls – MaxxForce 15 Litre

7.8. ELECTRONIC ENGINE CONTROLS – MAXXFORCE 15 LITRE (CONT.), P. 6B

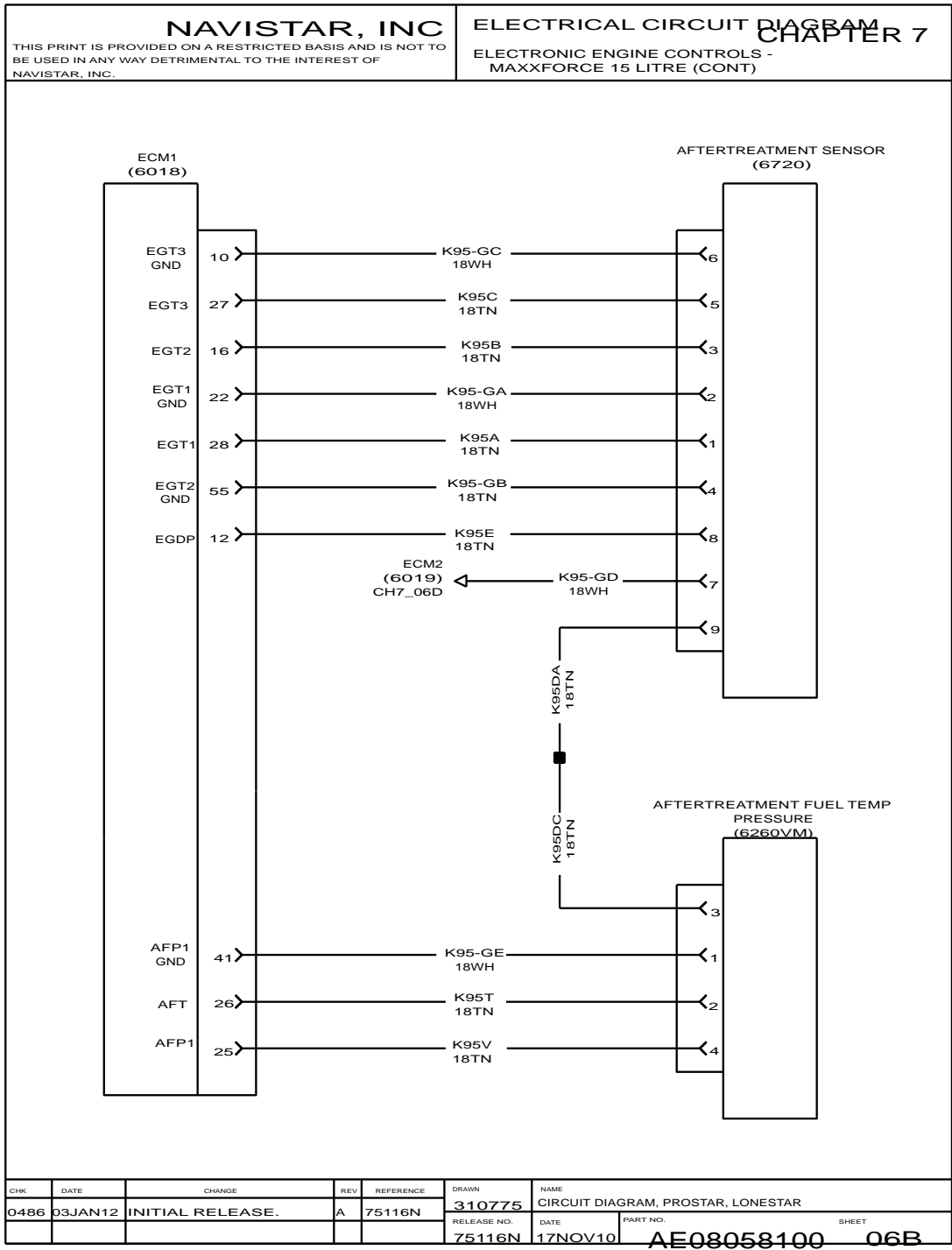


Figure 162 Electronic Engine Controls – MaxxForce 15 Litre (Cont.)

7.9. ELECTRONIC ENGINE CONTROLS – MAXXFORCE 15 LITRE (CONT.), P. 6C

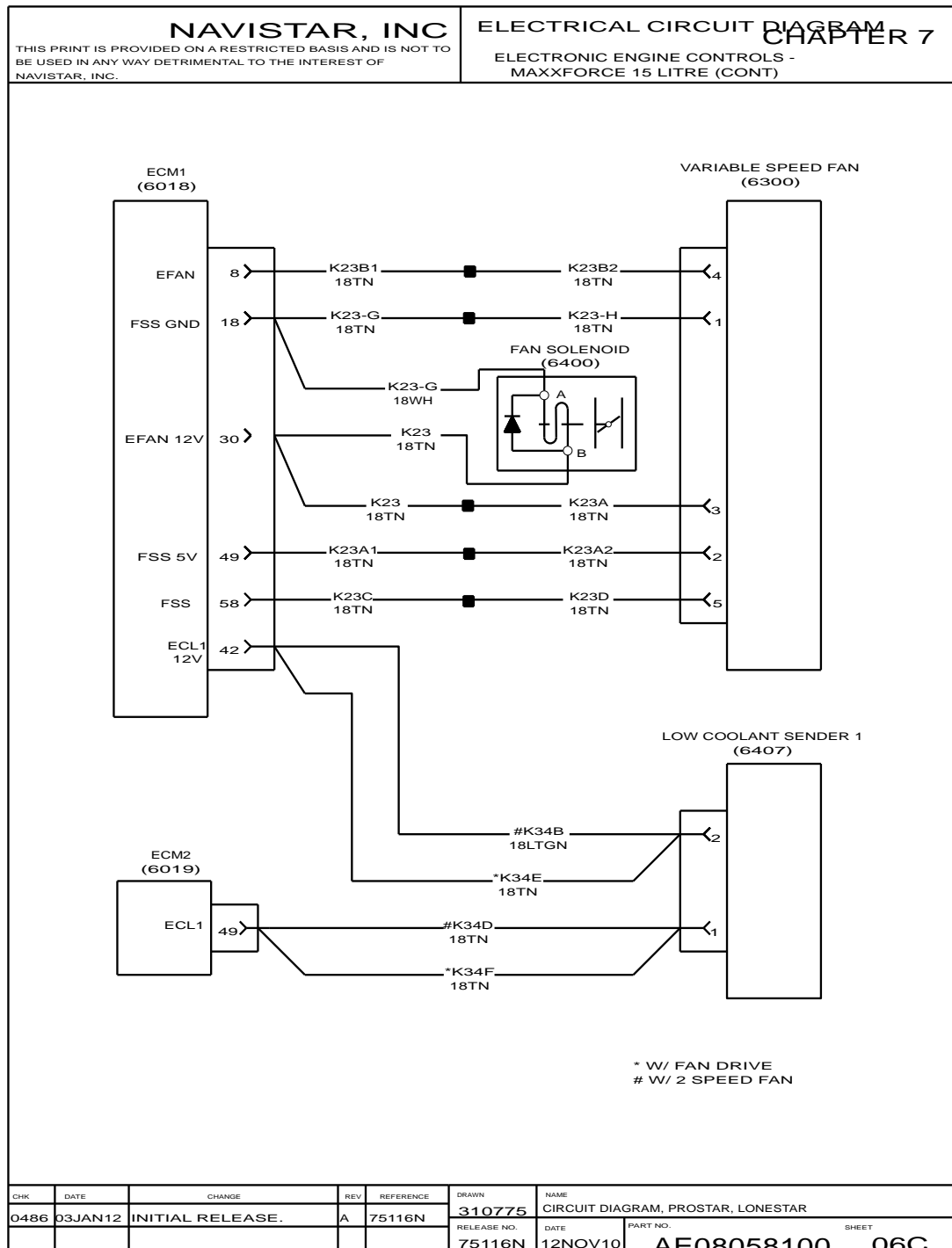


Figure 163 Electronic Engine Controls – MaxxForce 15 Litre (Cont.)

7.10. ELECTRONIC ENGINE CONTROLS – MAXXFORCE 15 LITRE (CONT.), P. 6D

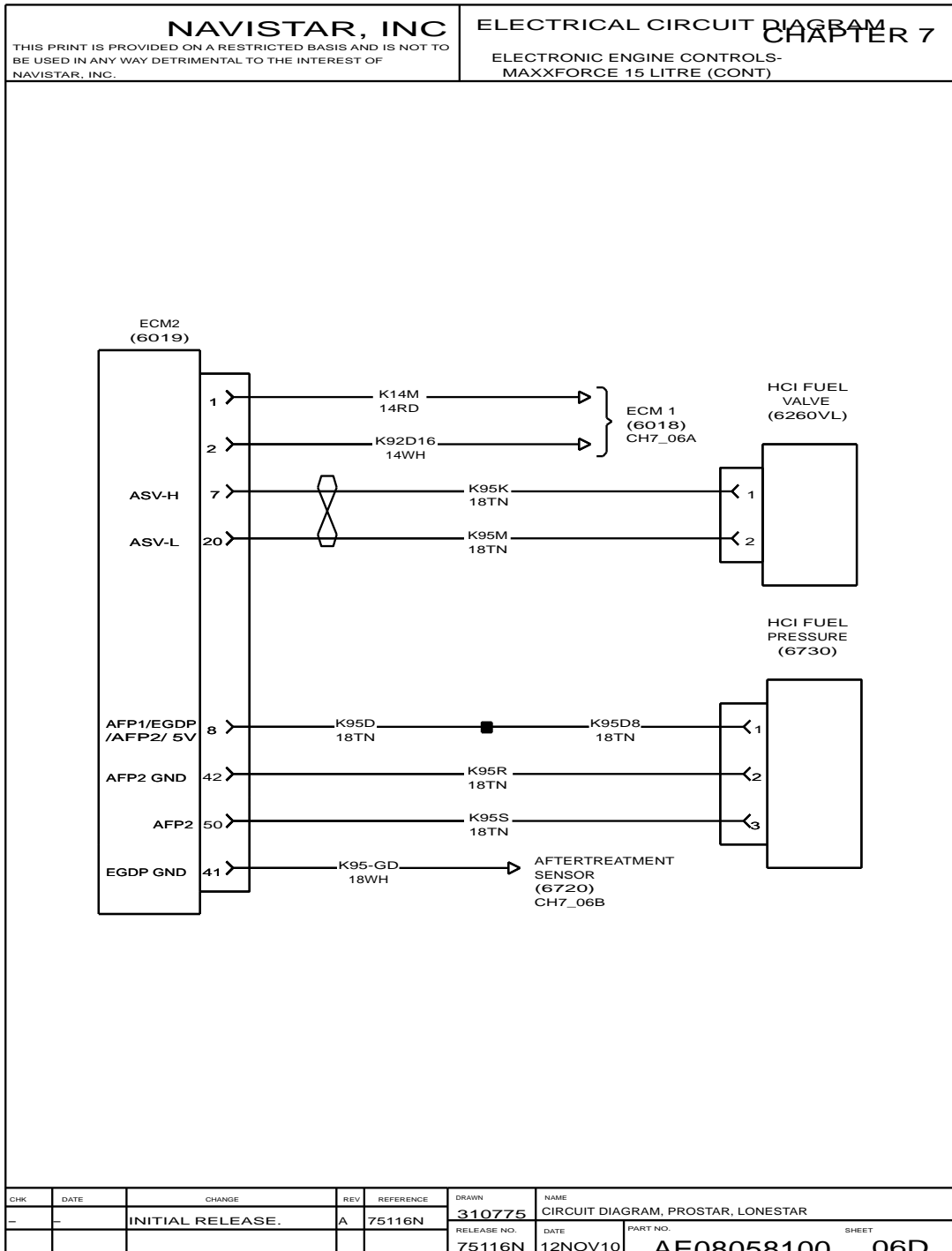


Figure 164 Electronic Engine Controls – MaxxForce 15 Litre (Cont.)

7.11. ELECTRONIC ENGINE CONTROLS – MAXXFORCE 15 LITRE (CONT.), P. 6E

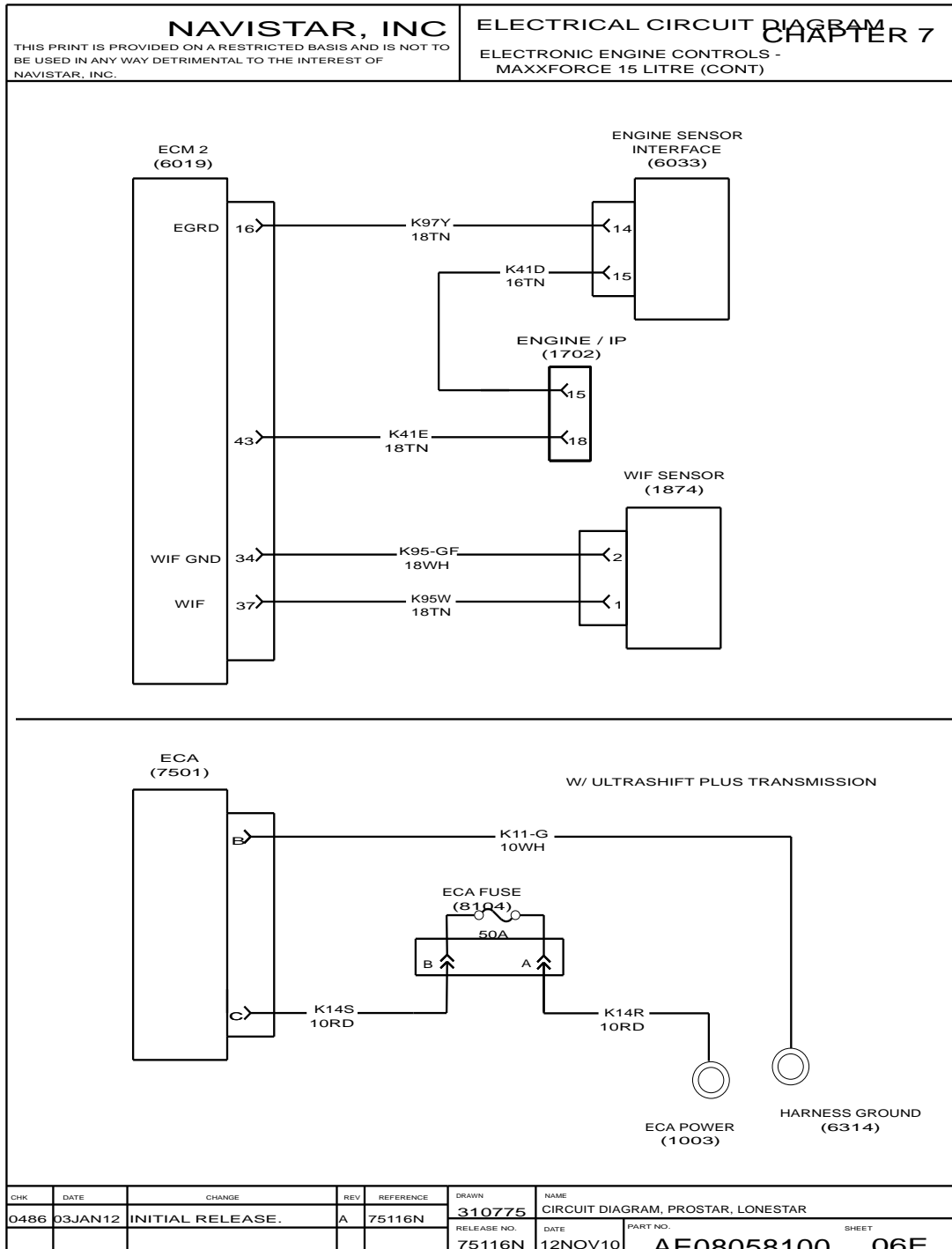


Figure 165 Electronic Engine Controls – MaxxForce 15 Litre (Cont.)



7.13. REMOTE START / STOP (CONT.), P. 7A

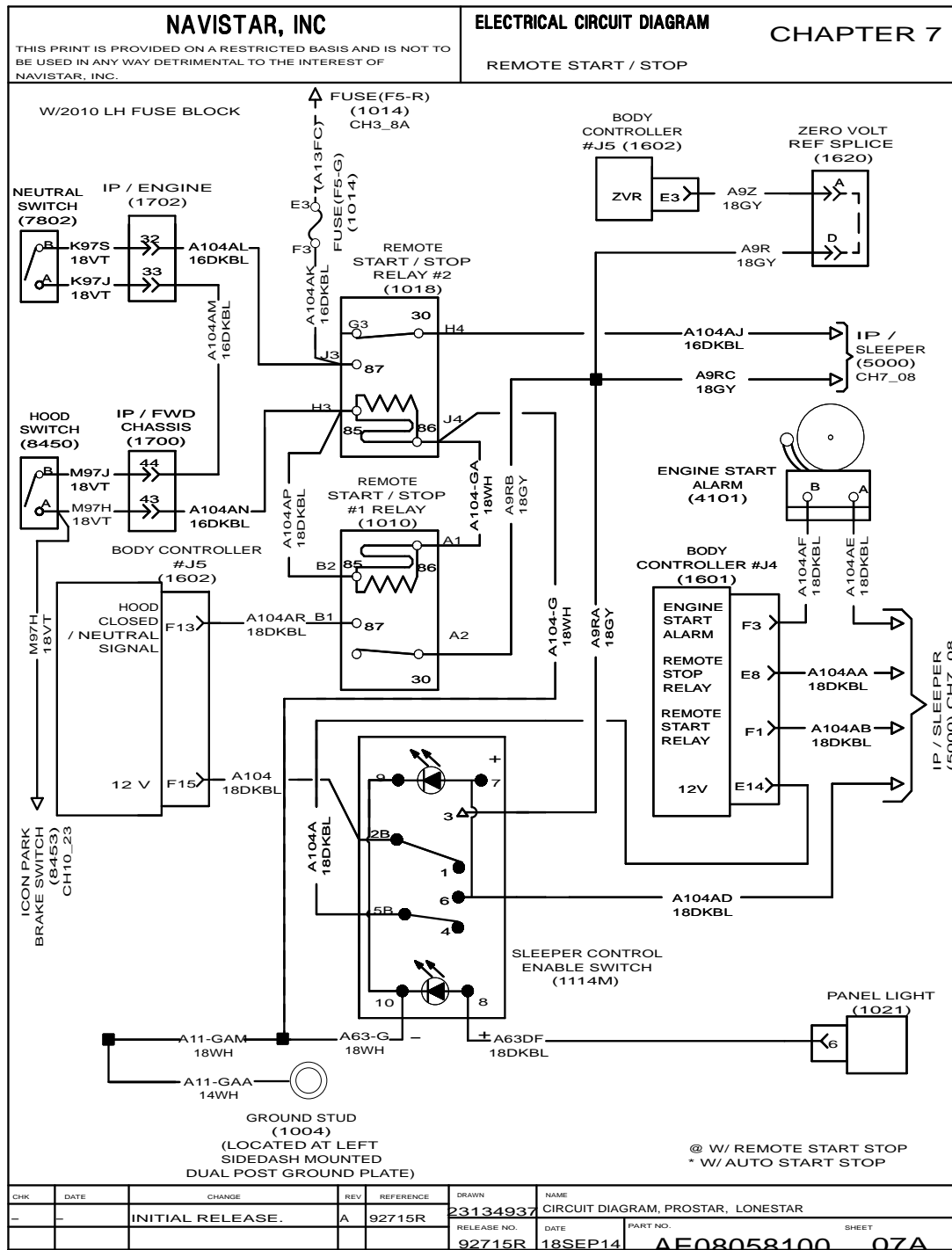


Figure 167 Remote Start / Stop (Cont.)

7.14. REMOTE START / STOP (CONT.), P. 8

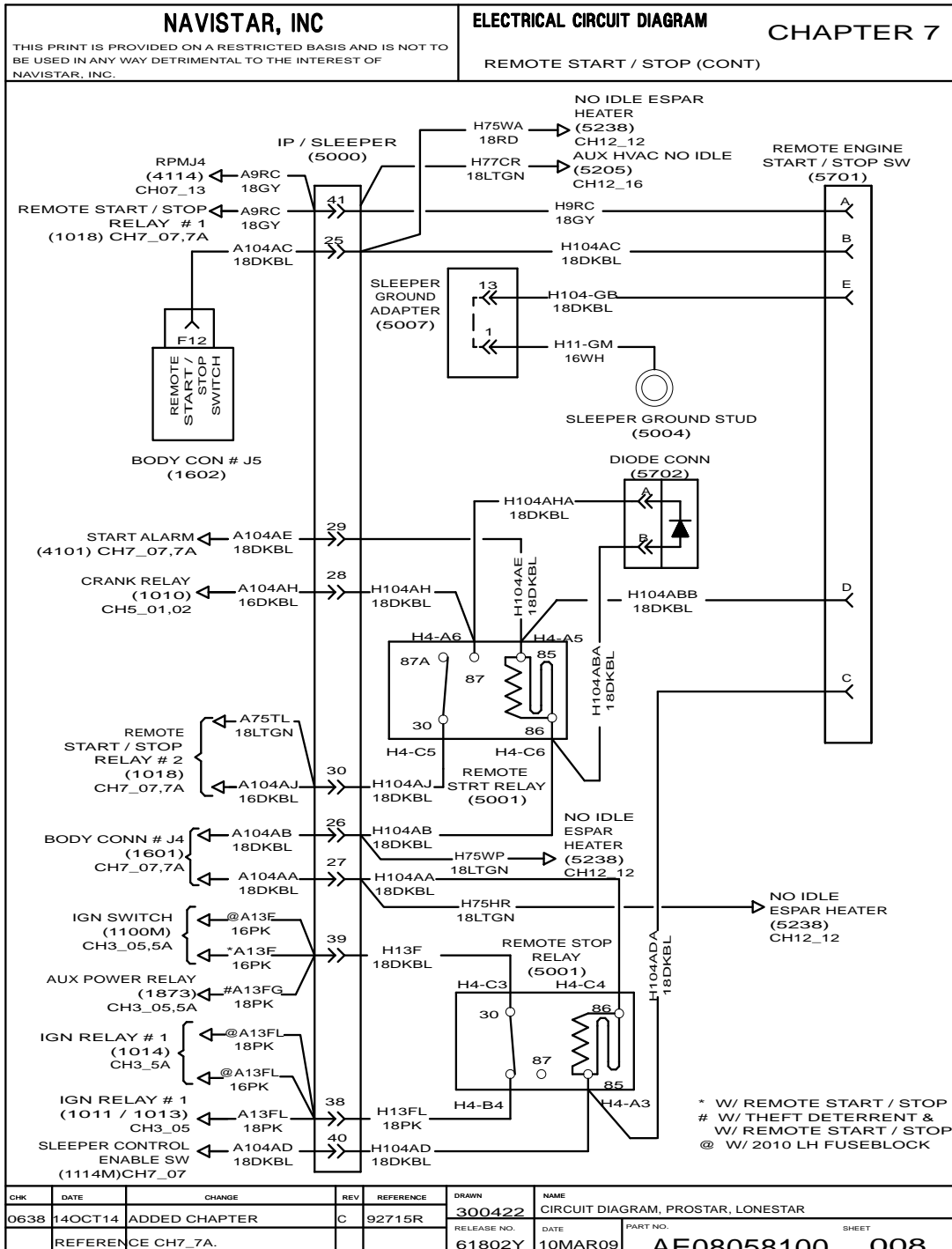


Figure 168 Remote Start / Stop (Cont.)



7.15. REMOTE START / STOP (CONT.), P. 8A

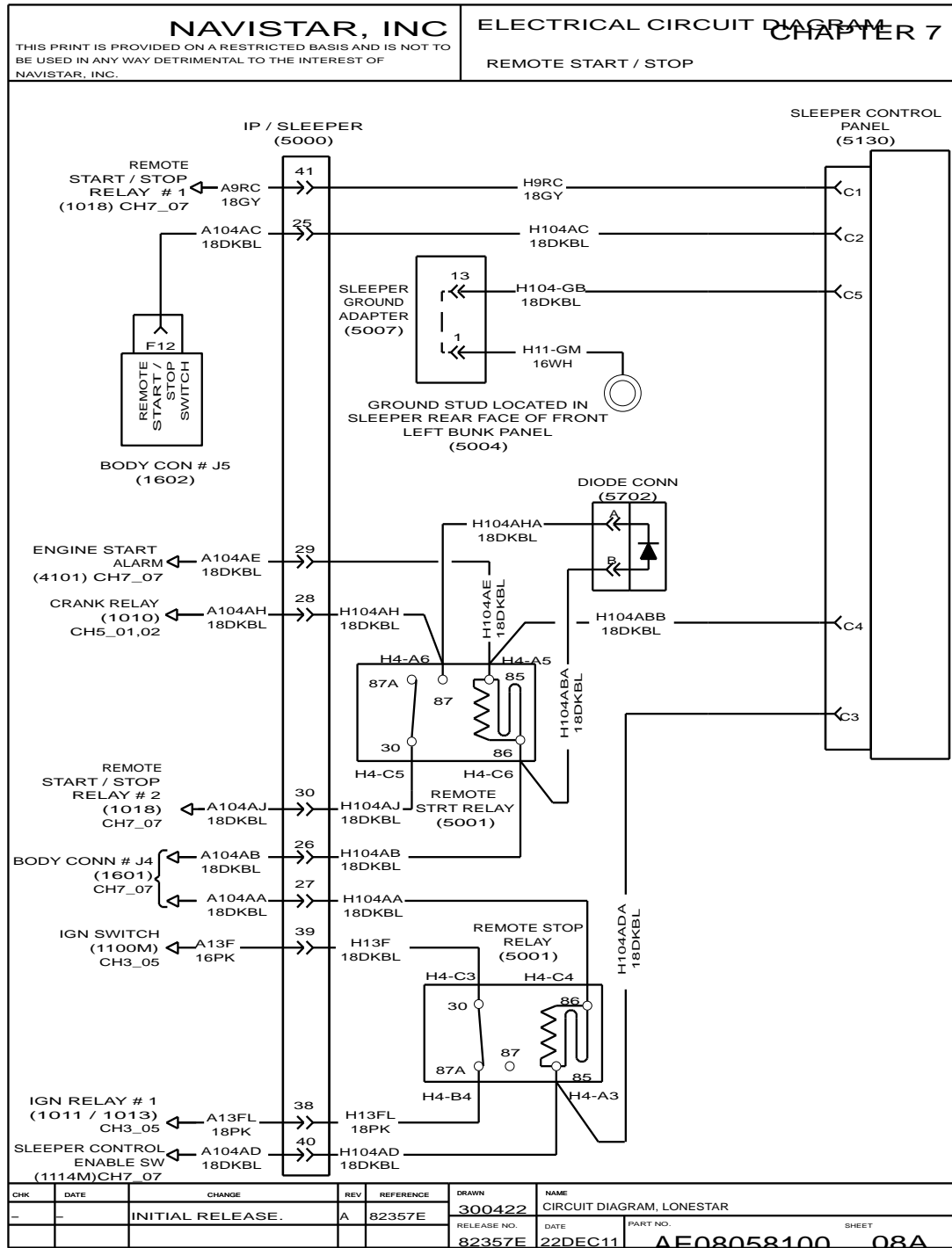


Figure 169 Remote Start / Stop (Cont.)

7.16. NO IDLE HEAT, P. 9

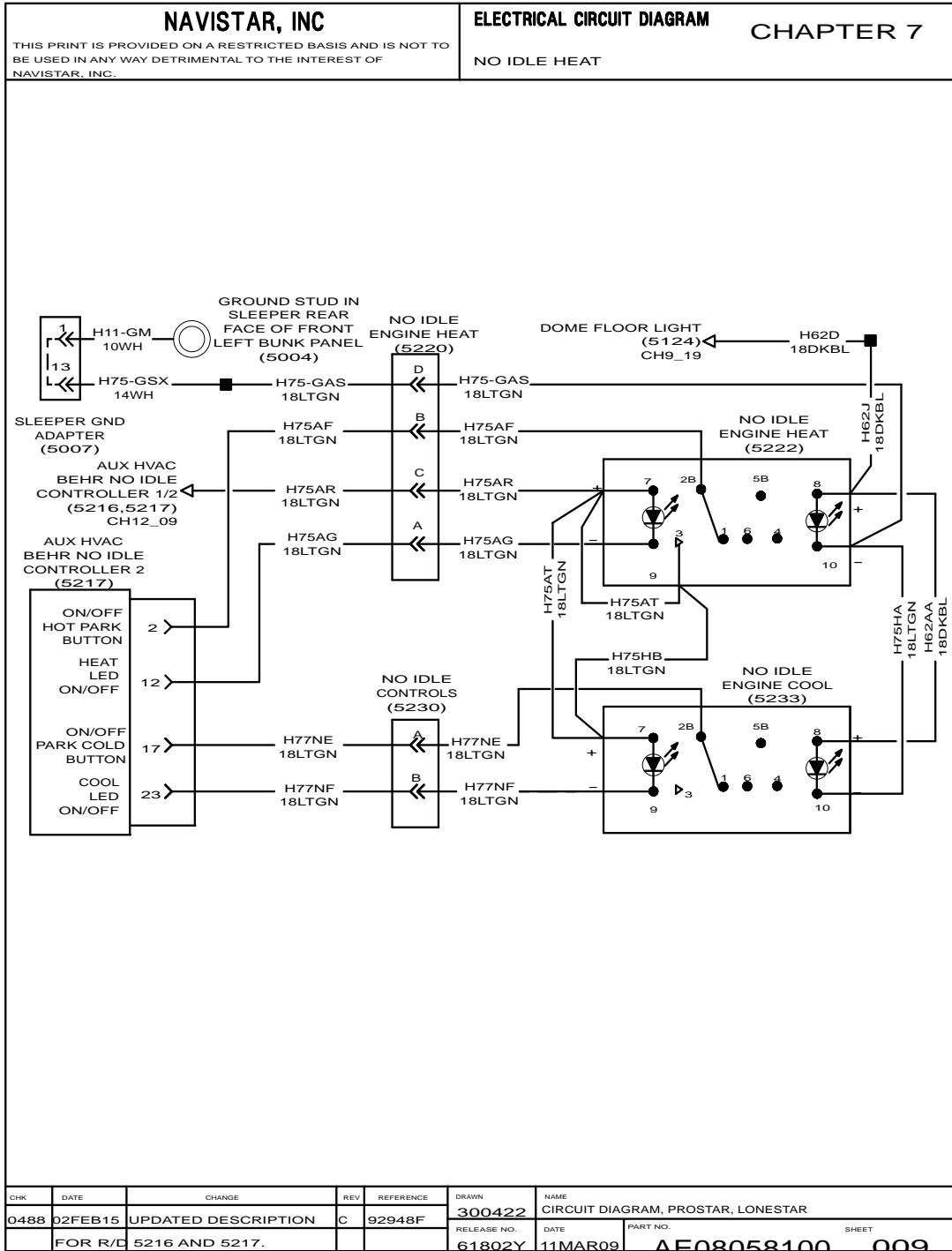


Figure 170 No Idle Heat

7.17. TRI-PAC NO IDLE, P. 10

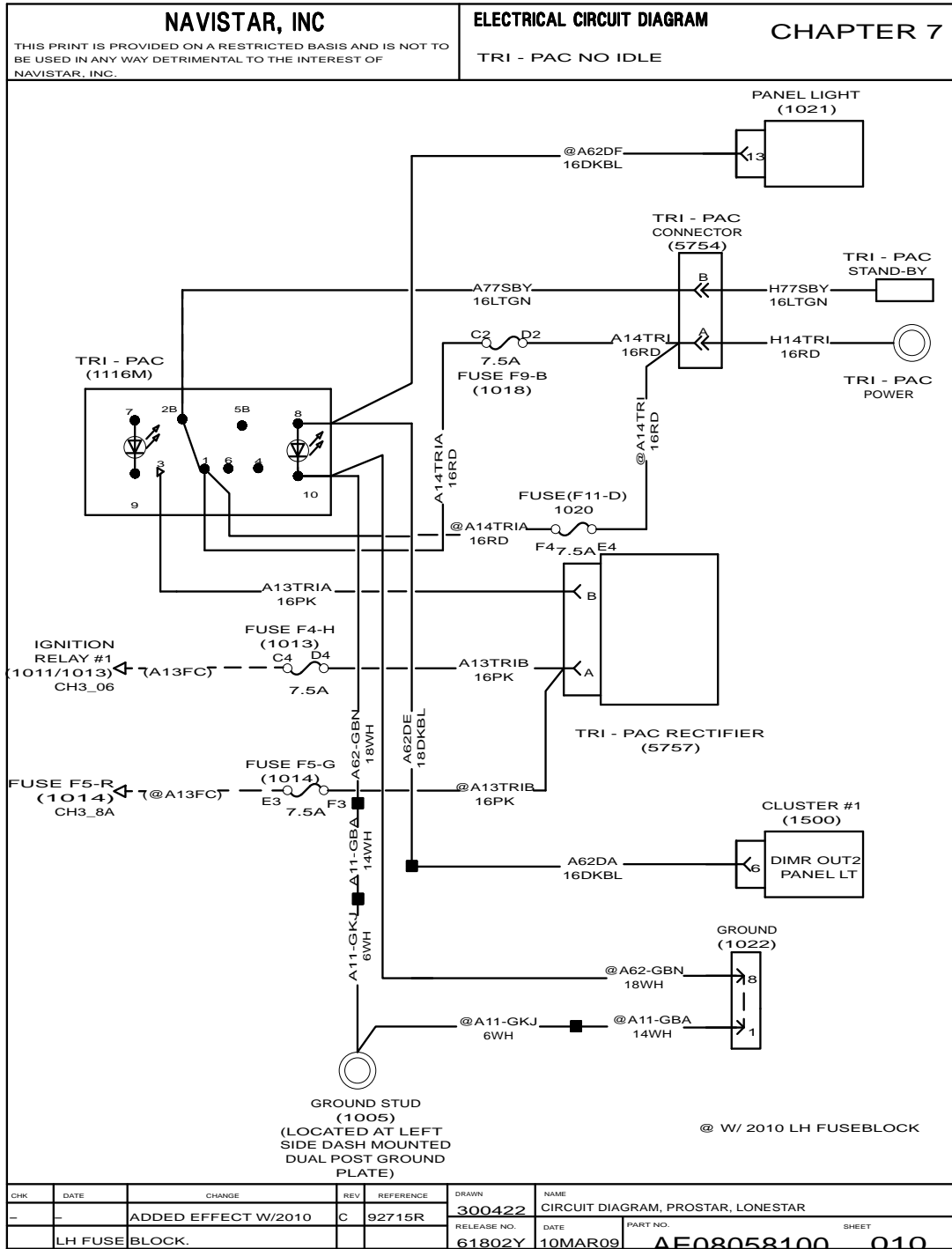


Figure 171 Tri-Pac No Idle

7.18. IDLE CONTROL TEMP SENSOR, P. 11

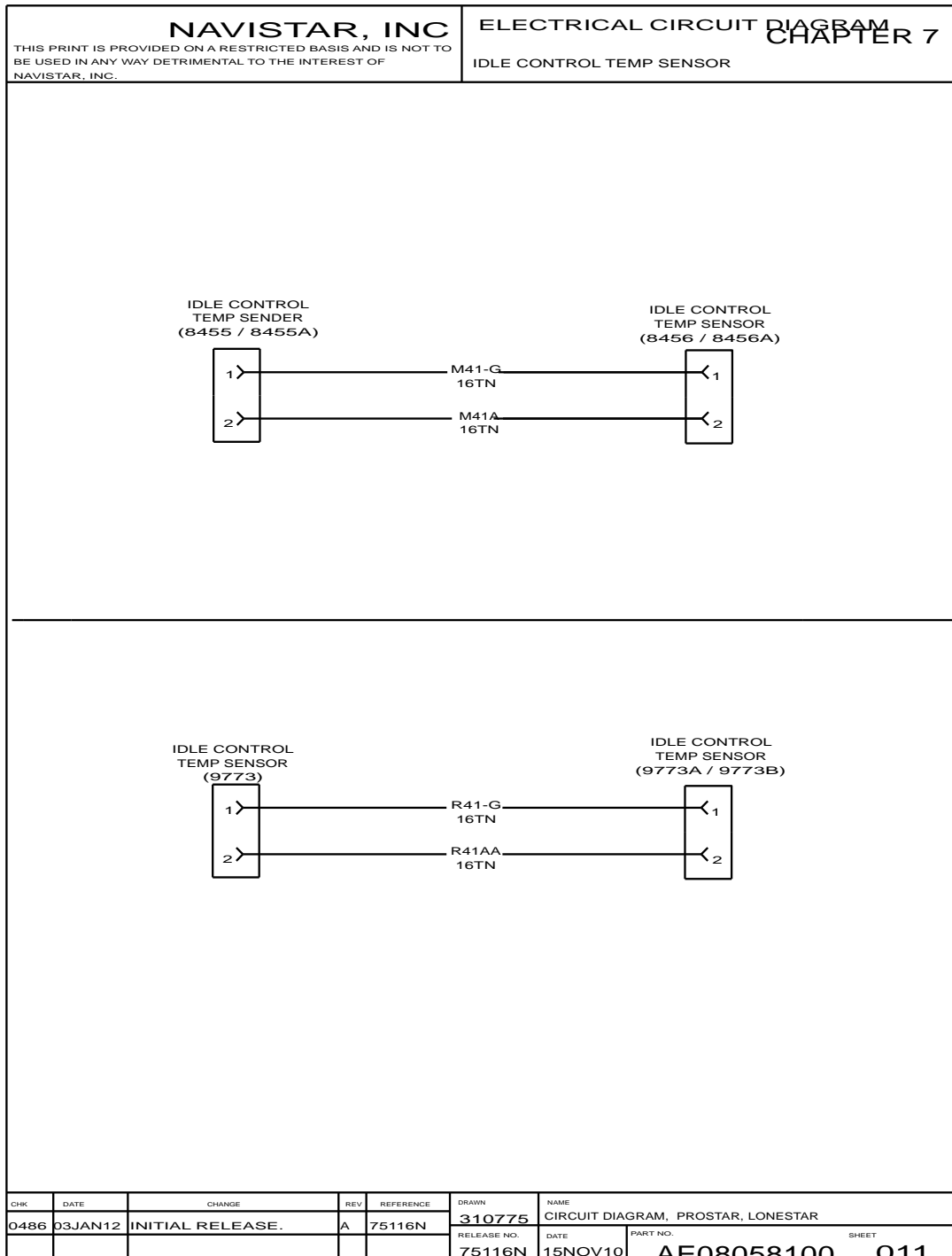


Figure 172 Idle Control Temp Sensor

7.19. AUTO START / STOP, P. 12

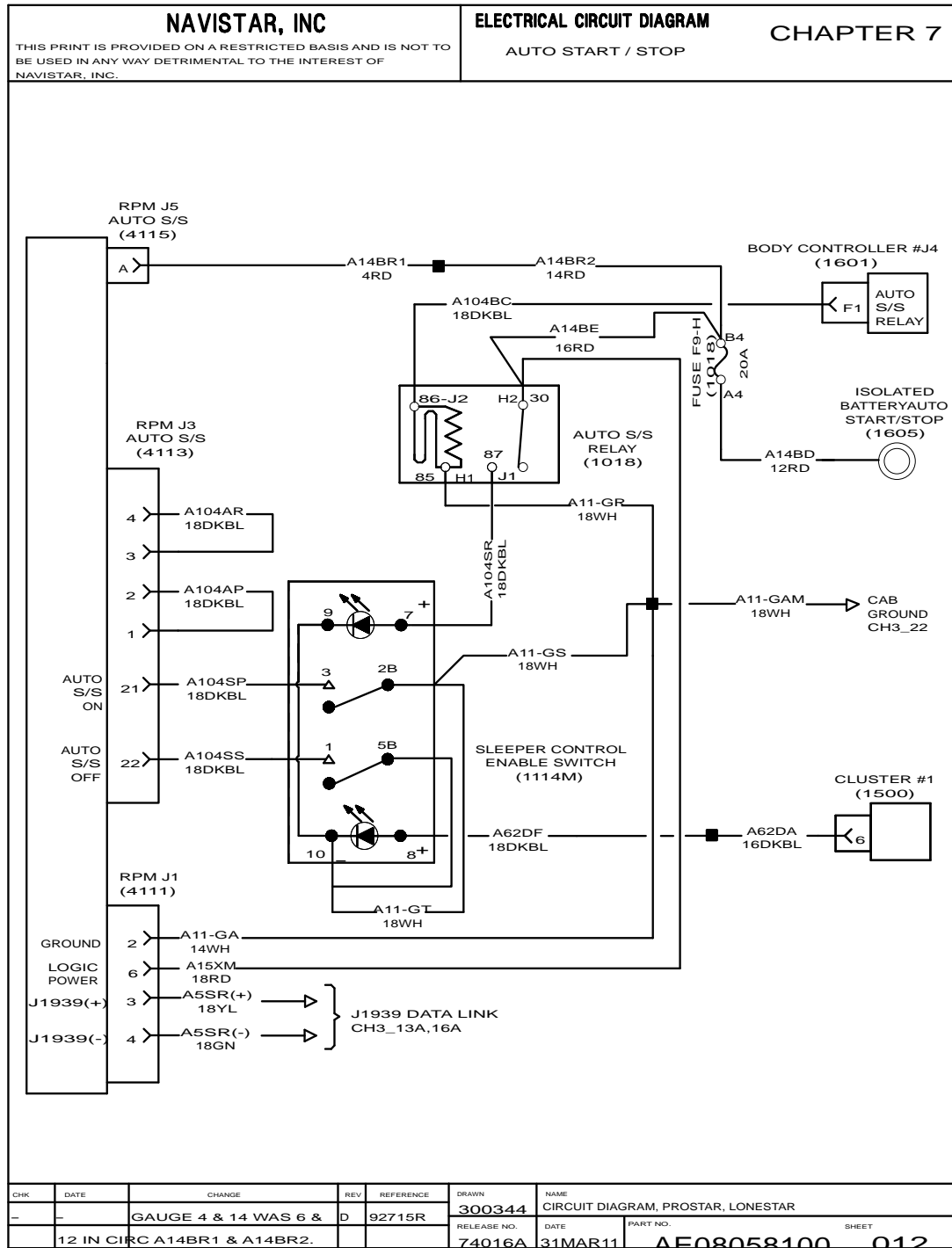


Figure 173 Auto Start / Stop

7.20. AUTO START / STOP (CONT.), P. 12A

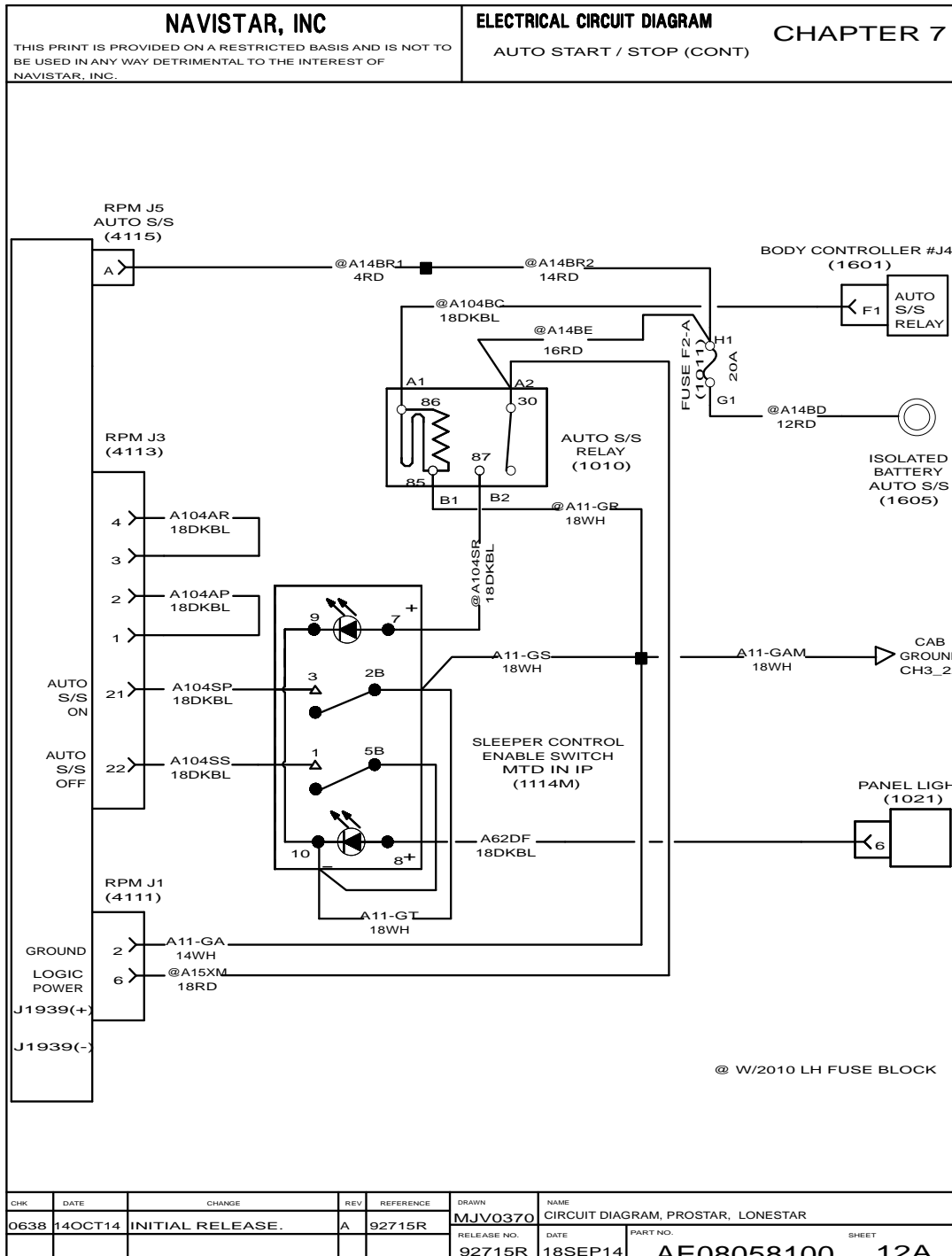


Figure 174 Auto Start / Stop (Cont.)

7.21. AUTO START / STOP (CONT.), P. 13

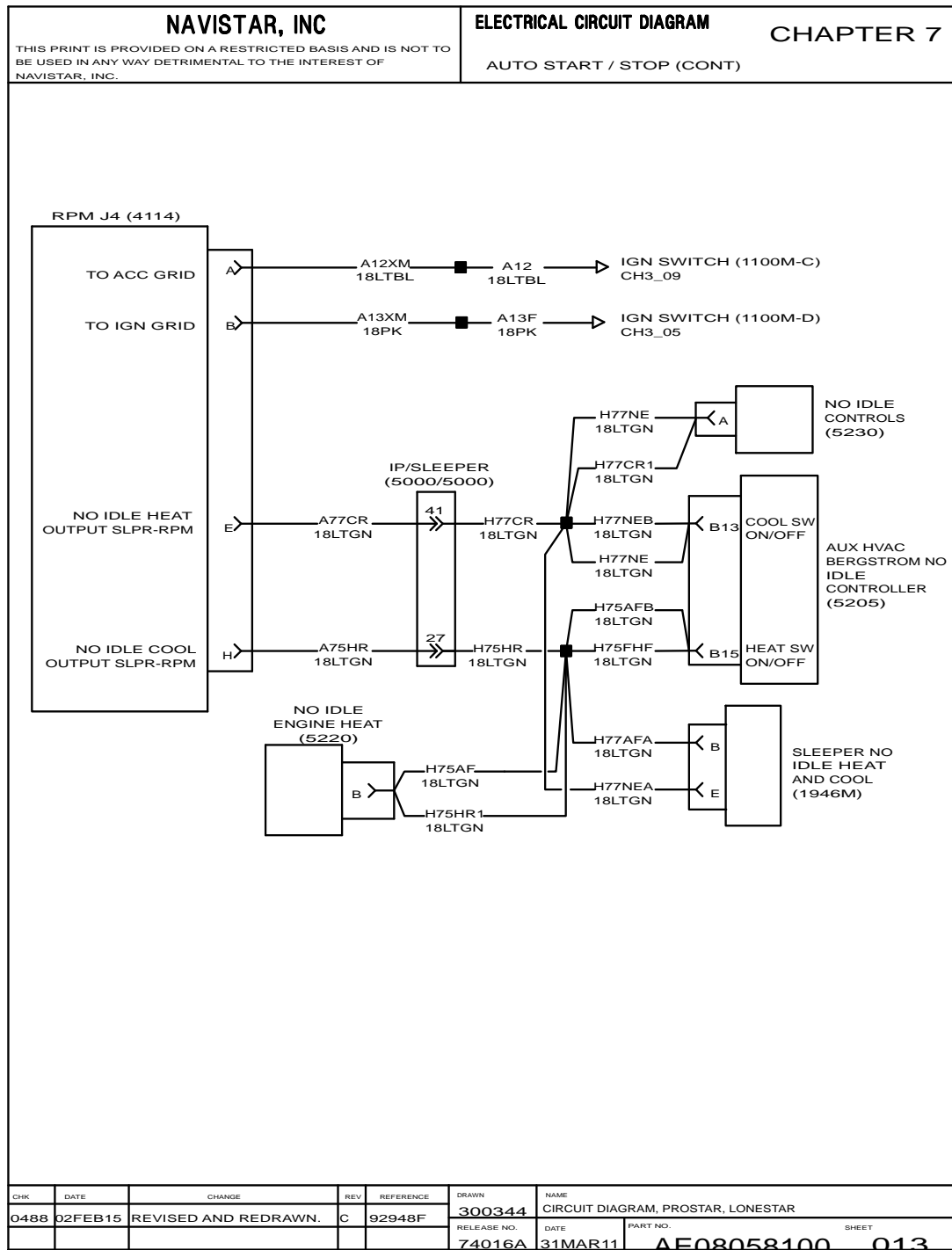


Figure 175 Auto Start / Stop (Cont.)

7.22. AUTO START / STOP (CONT.), P. 14

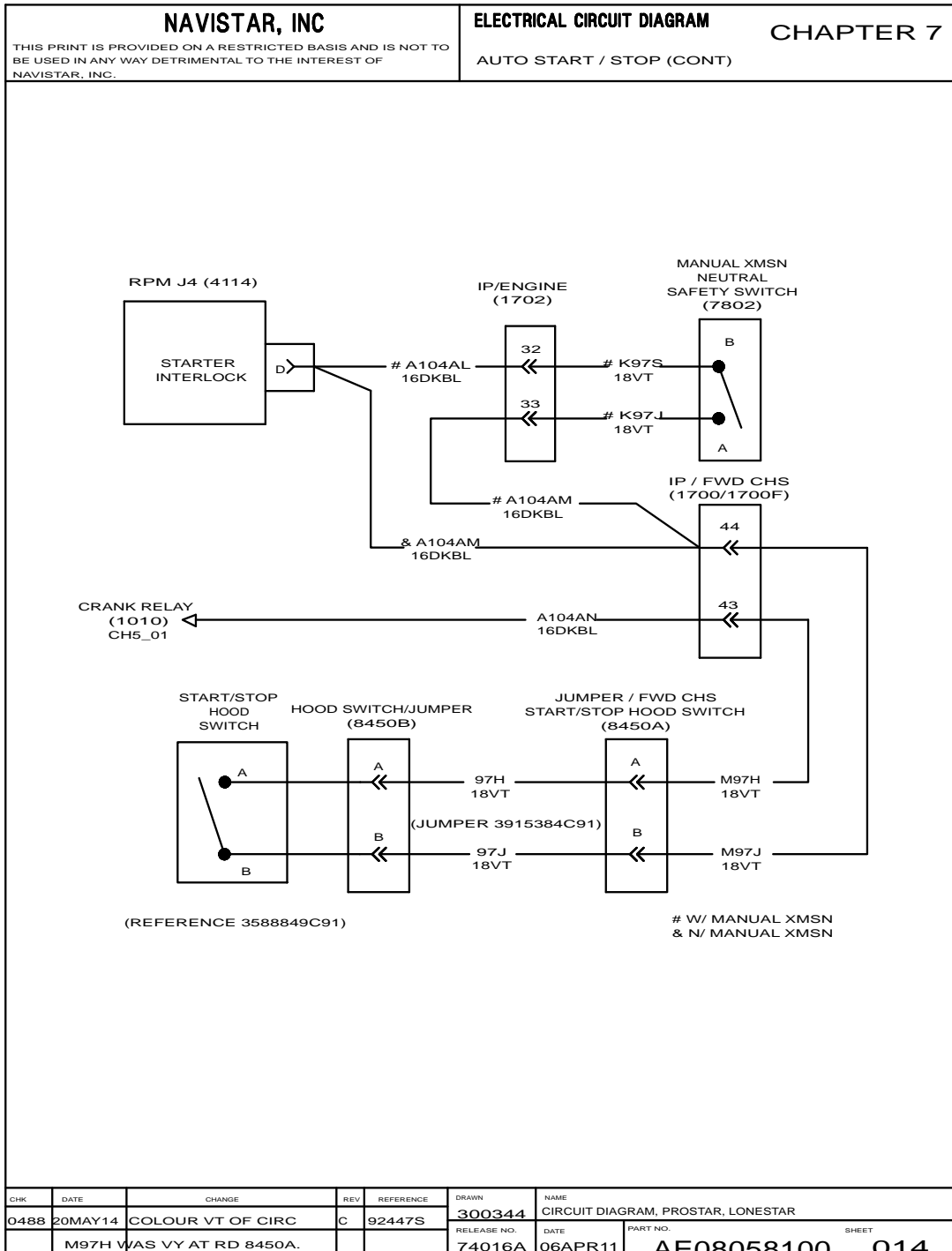


Figure 176 Auto Start / Stop (Cont.)



7.23. AUTO START / STOP (CONT.), P. 15

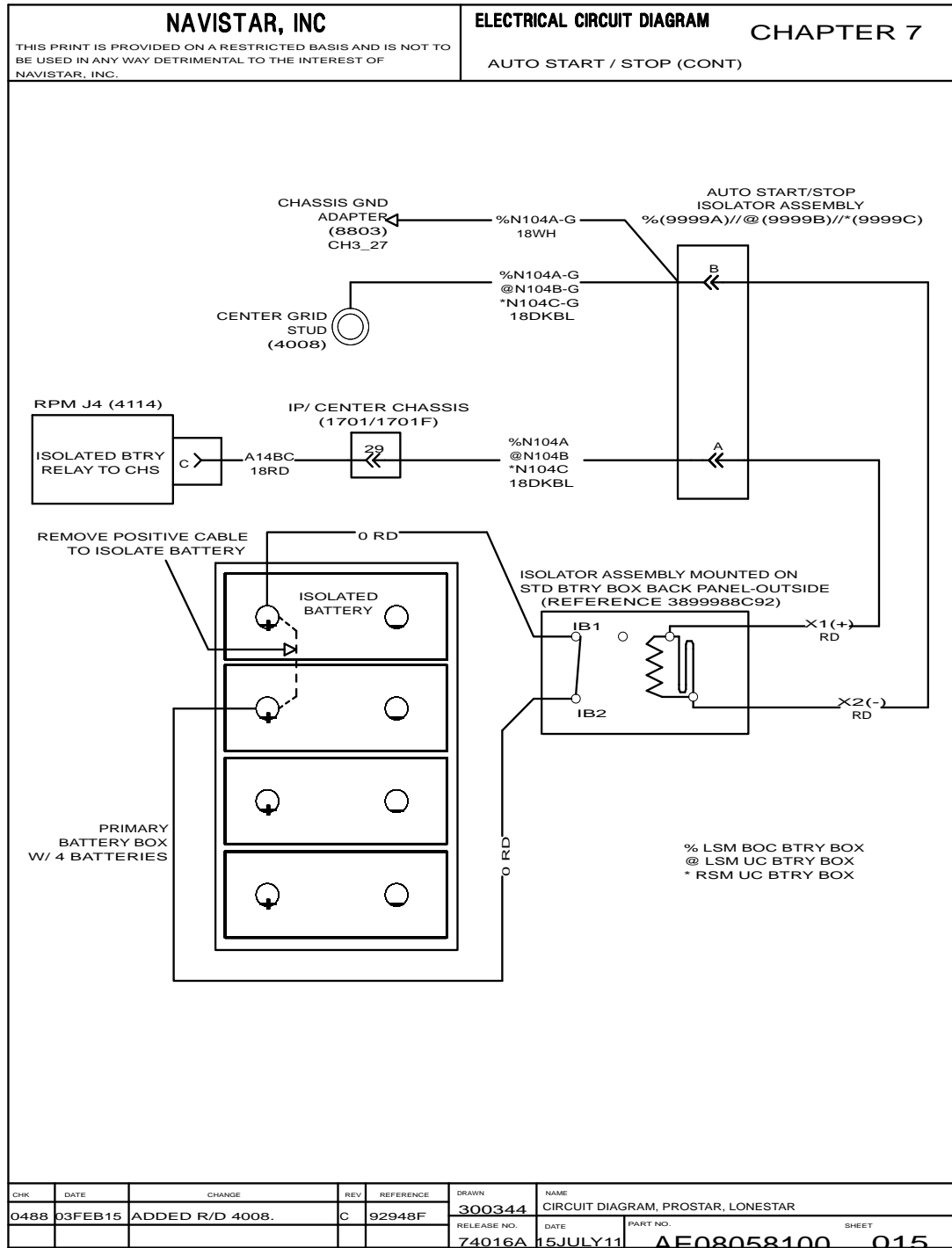


Figure 177 Auto Start / Stop (Cont.)

7.24. ELECTRONICS ENGINE CONTROL (ISX 2013), P. 16

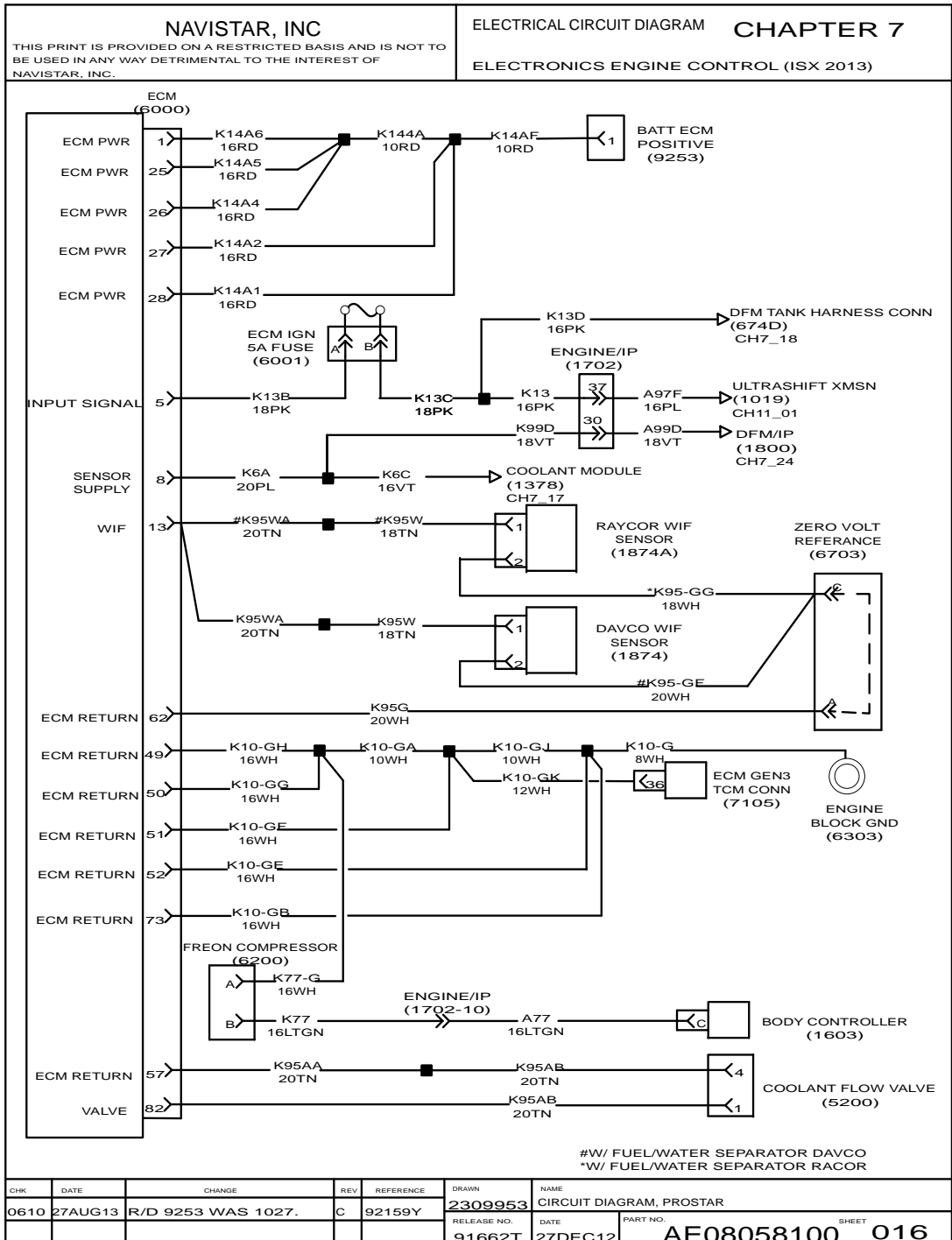


Figure 178 Electronics Engine Control (ISX 2013)

7.25. ELECTRONICS ENGINE CONTROL (ISX 2013) (CONT.), P. 17

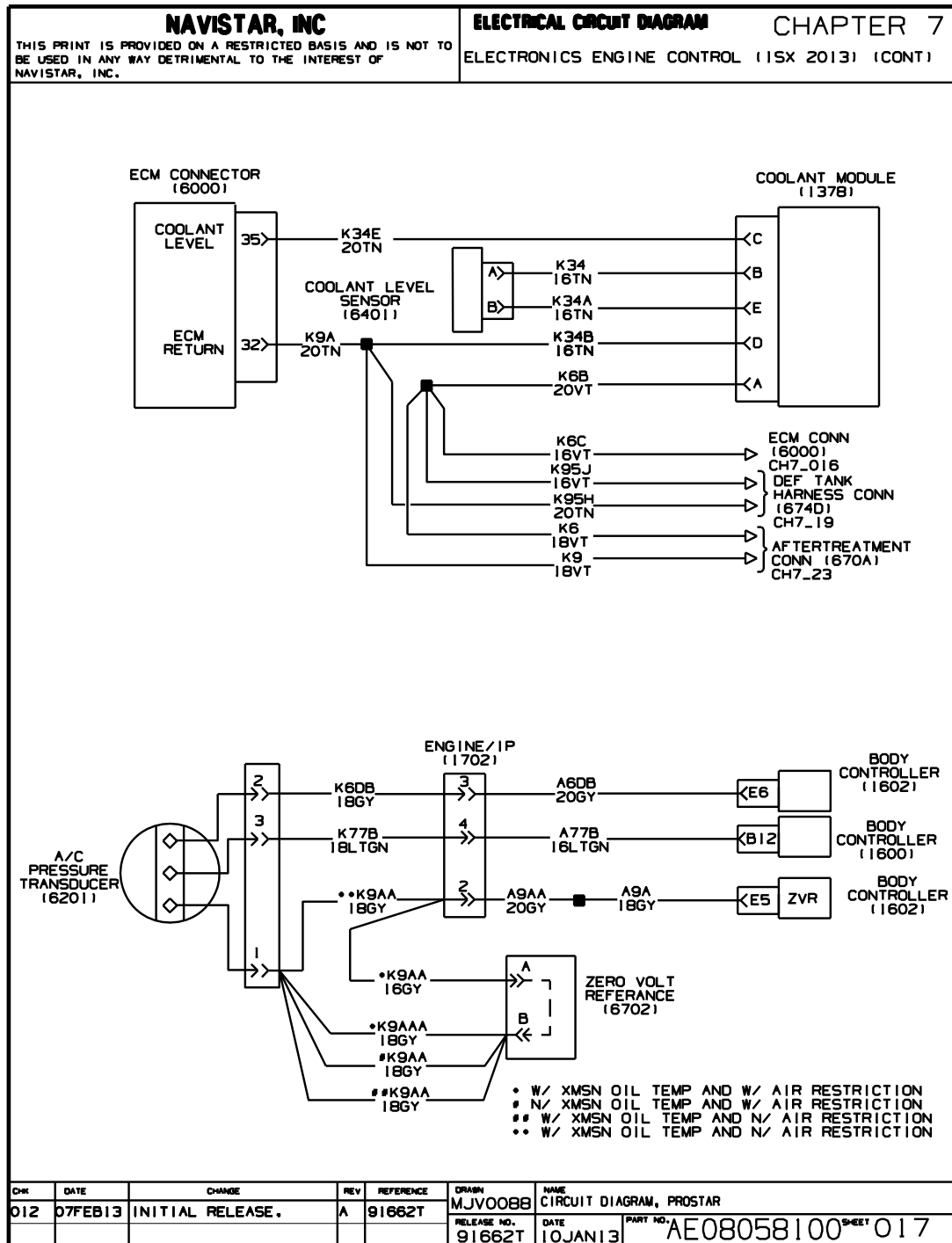


Figure 179 Electronics Engine Control (ISX 2013) (Cont.)



7.27. ISX 2013 DEF & AFTERTREATMENT (CONT.), P. 19

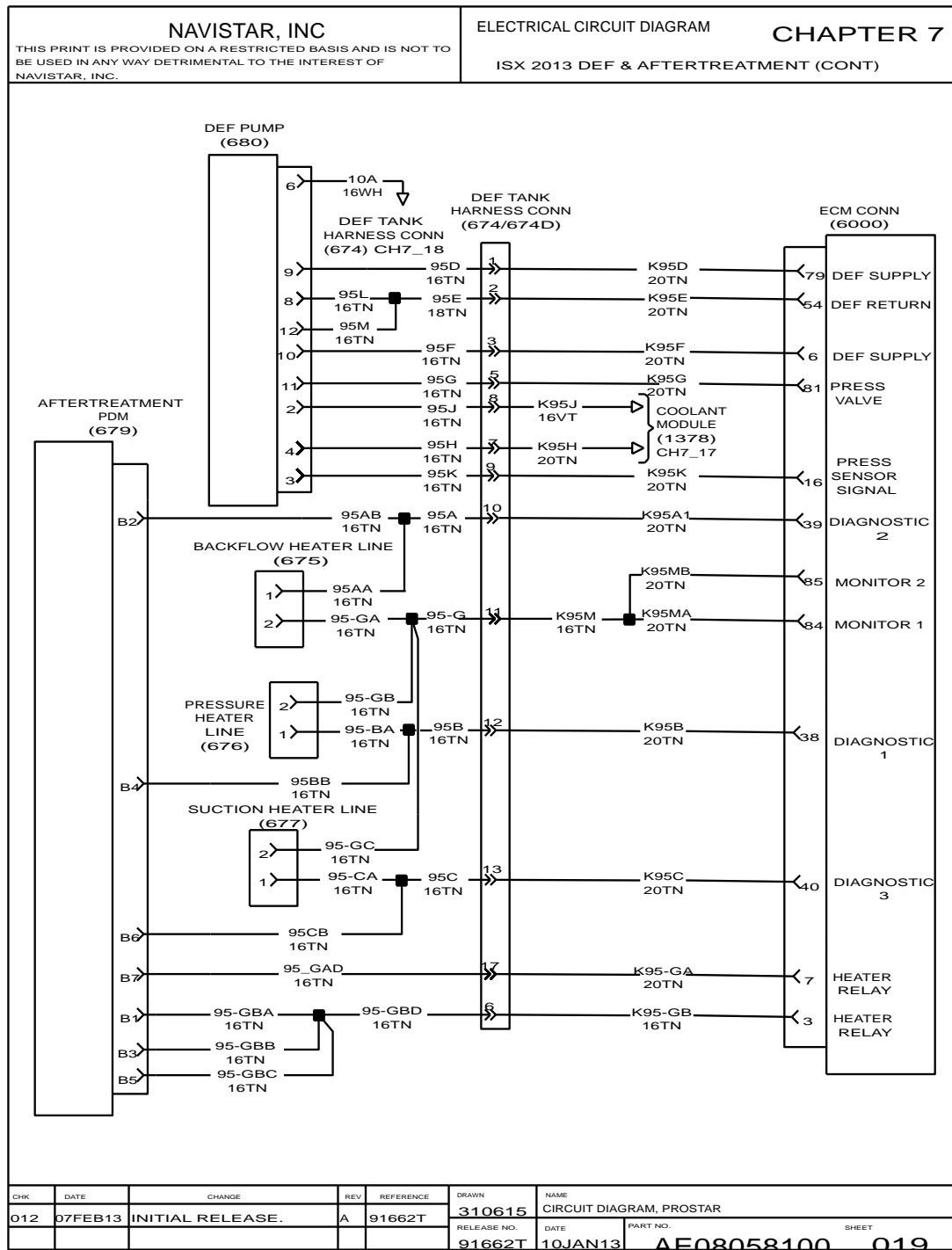


Figure 181 ISX 2013 DEF & Aftertreatment (Cont.)

7.28. ISX 2013 DEF & AFTERTREATMENT (CONT.), P. 20

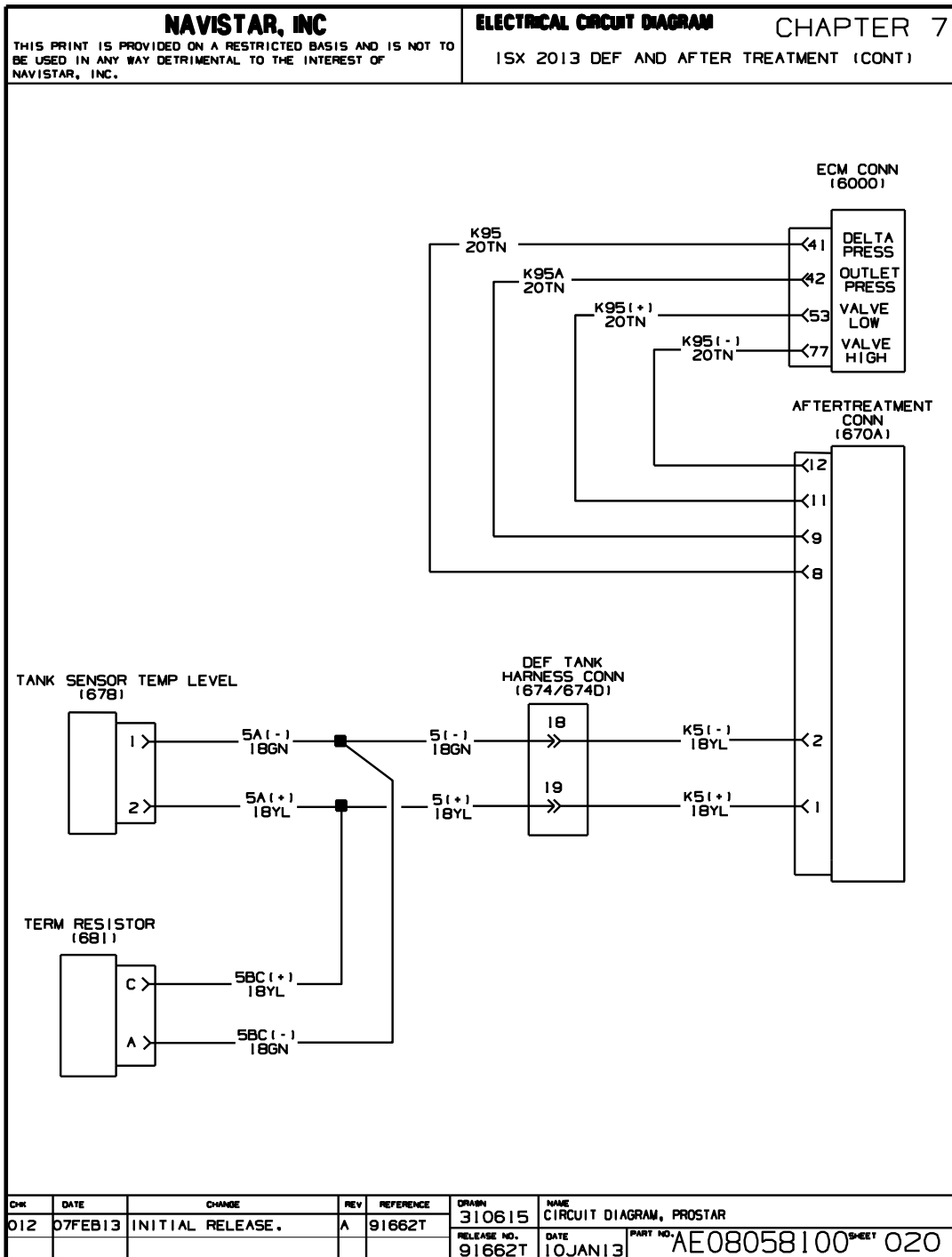


Figure 182 ISX 2013 DEF & Aftertreatment (Cont.)

7.29. ISX 2013 DEF & AFTERTREATMENT (CONT.), P. 21

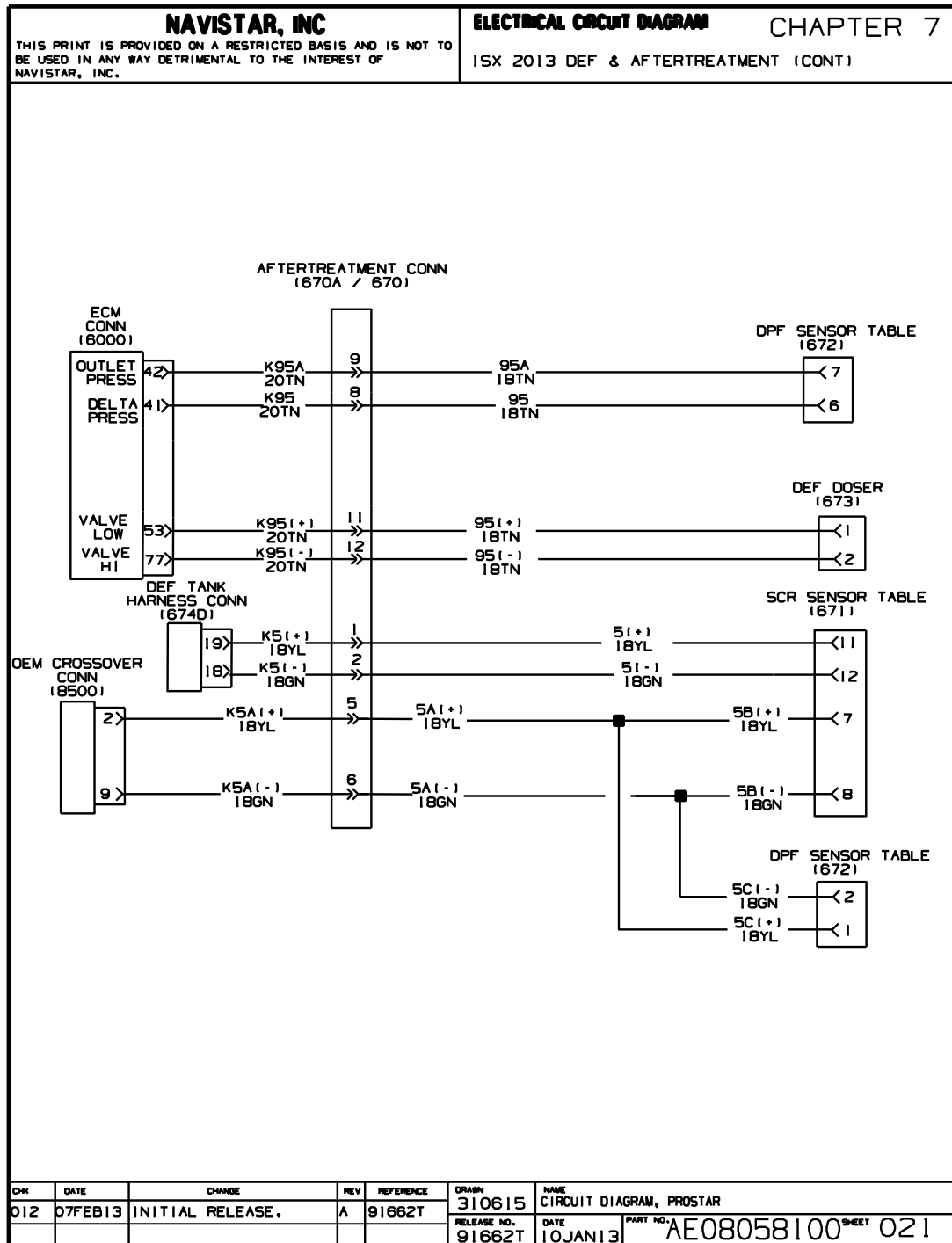


Figure 183 ISX 2013 DEF & Aftertreatment (Cont.)

7.30. ISX 2013 DEF & AFTERTREATMENT (CONT.), P. 22

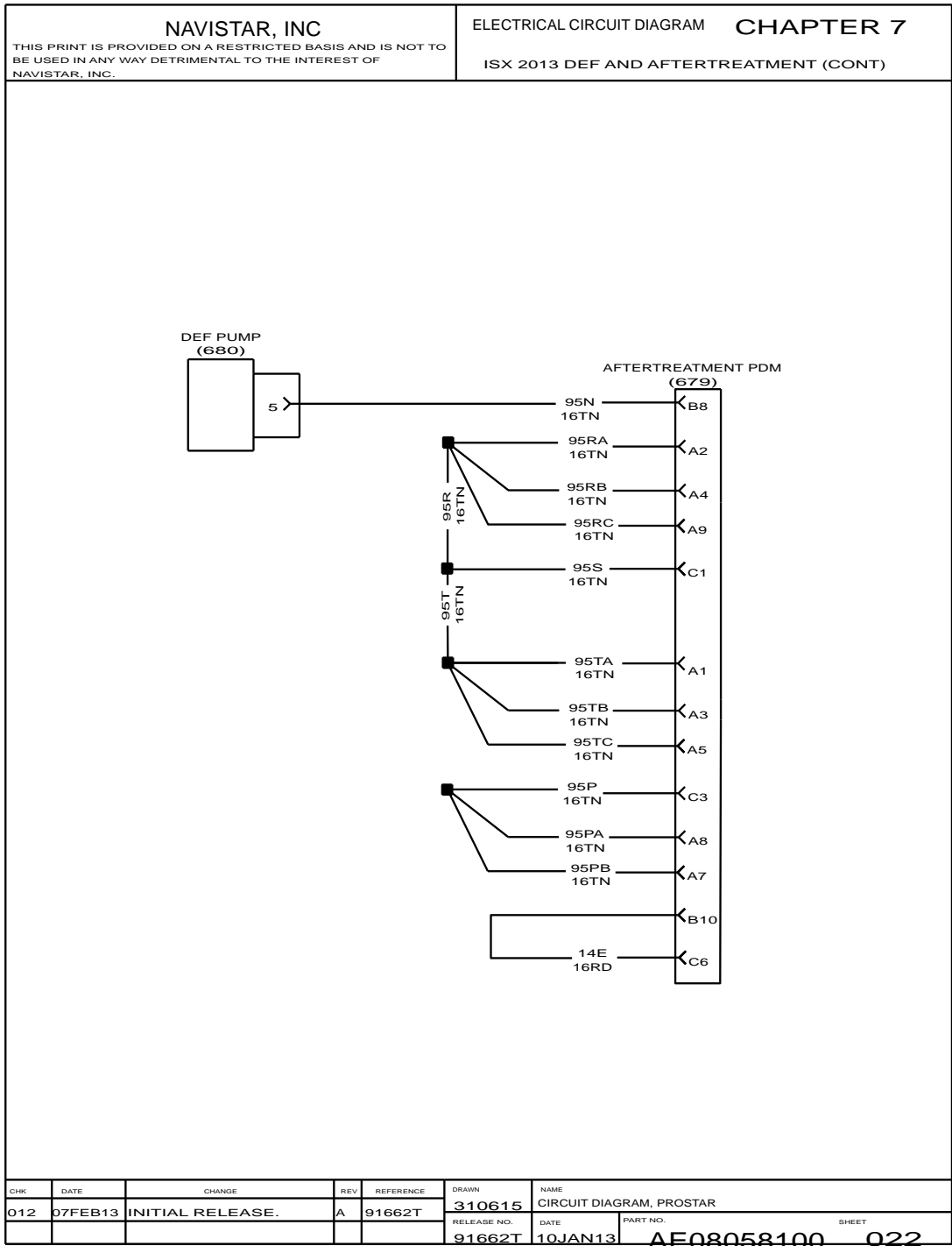


Figure 184 ISX 2013 DEF & Aftertreatment (Cont.)



7.31. ISX 2013 DEF & AFTERTREATMENT (CONT.), P. 23

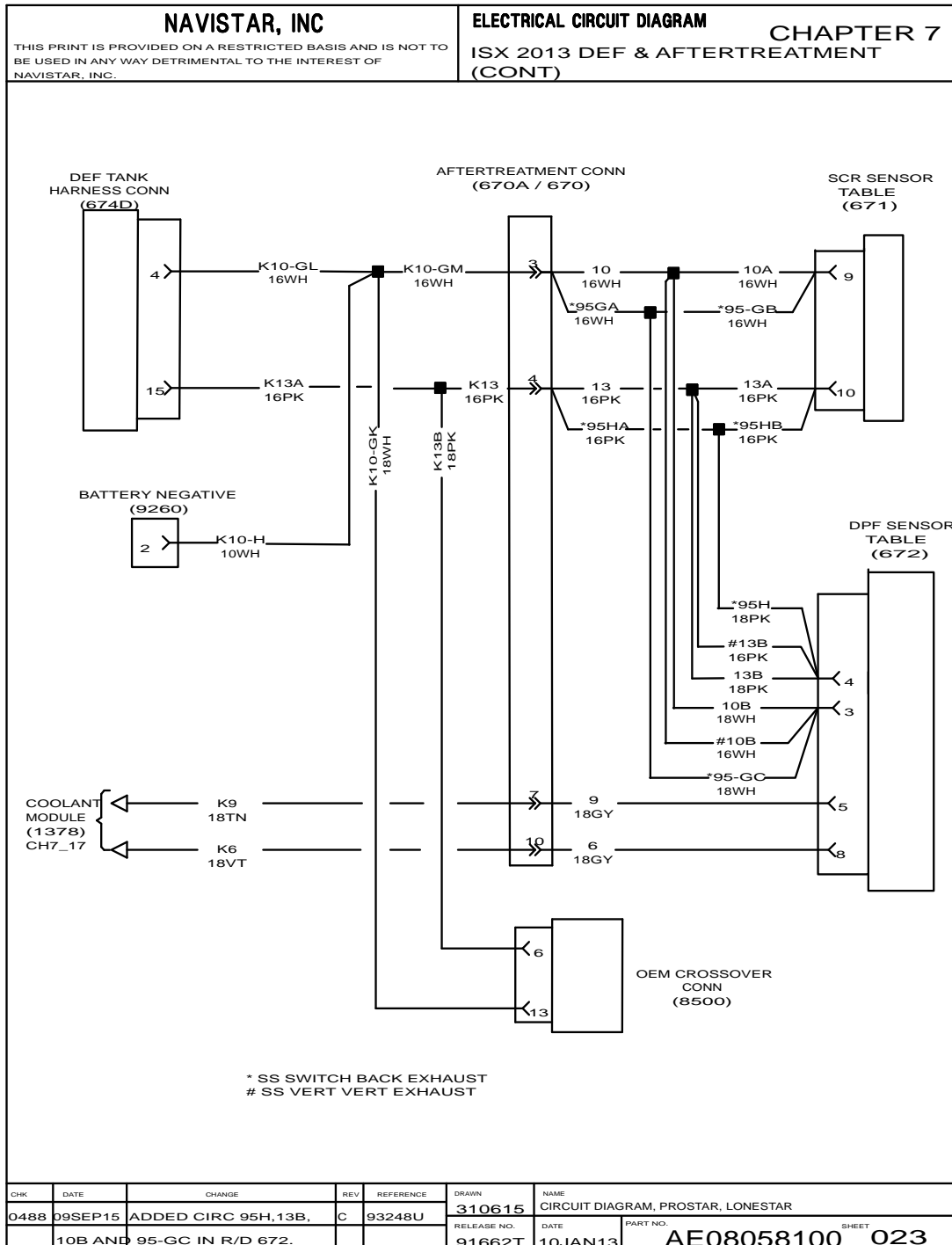


Figure 185 ISX 2013 DEF & Aftertreatment (Cont.)

7.32. ACCELERATOR PEDAL MODULE (ISX 2013), P. 24

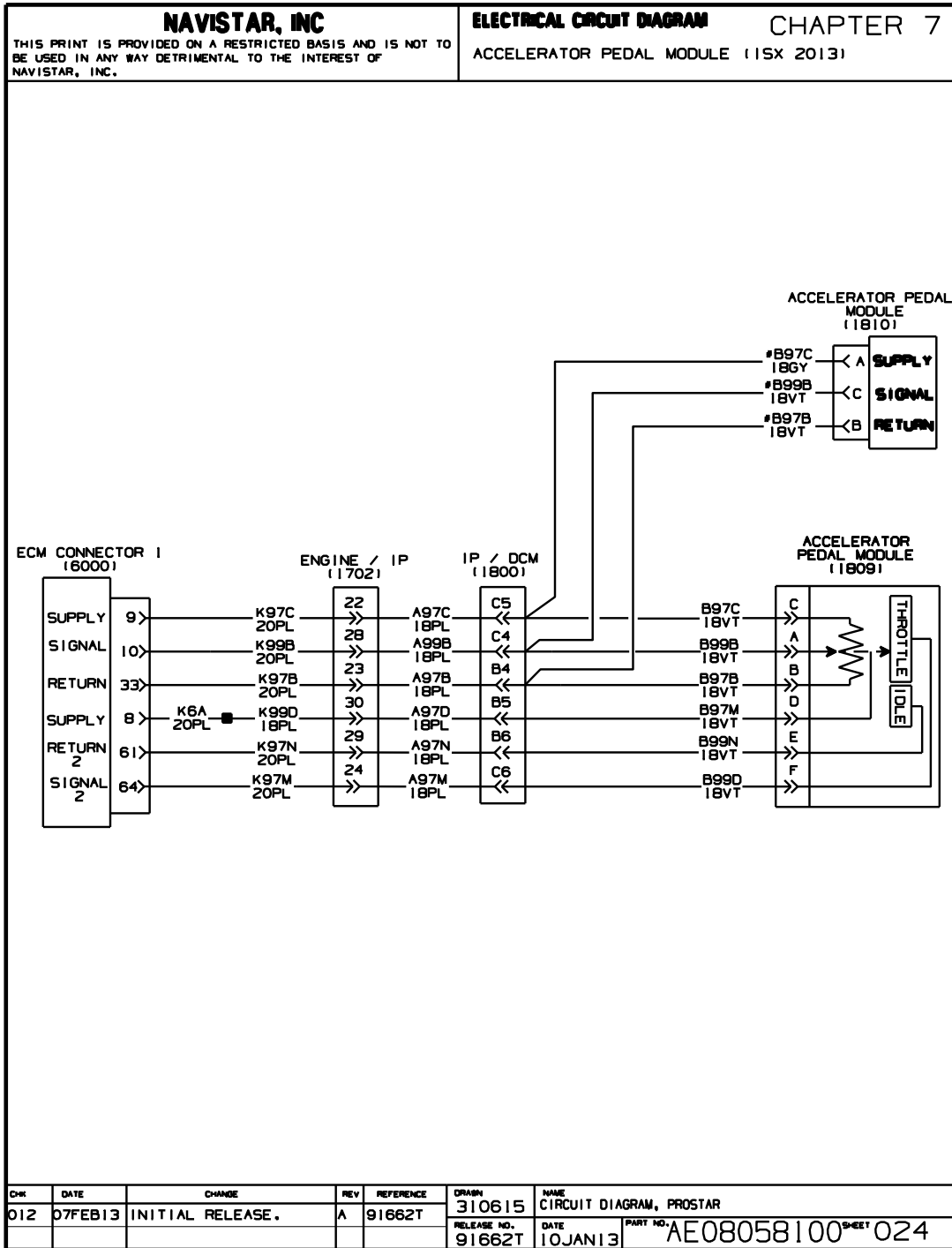


Figure 186 Accelerator Pedal Module (ISX 2013)

7.33. ELECTRONIC ENGINE CONTROLS (2010 SCR 13L ENGINE), P. 25

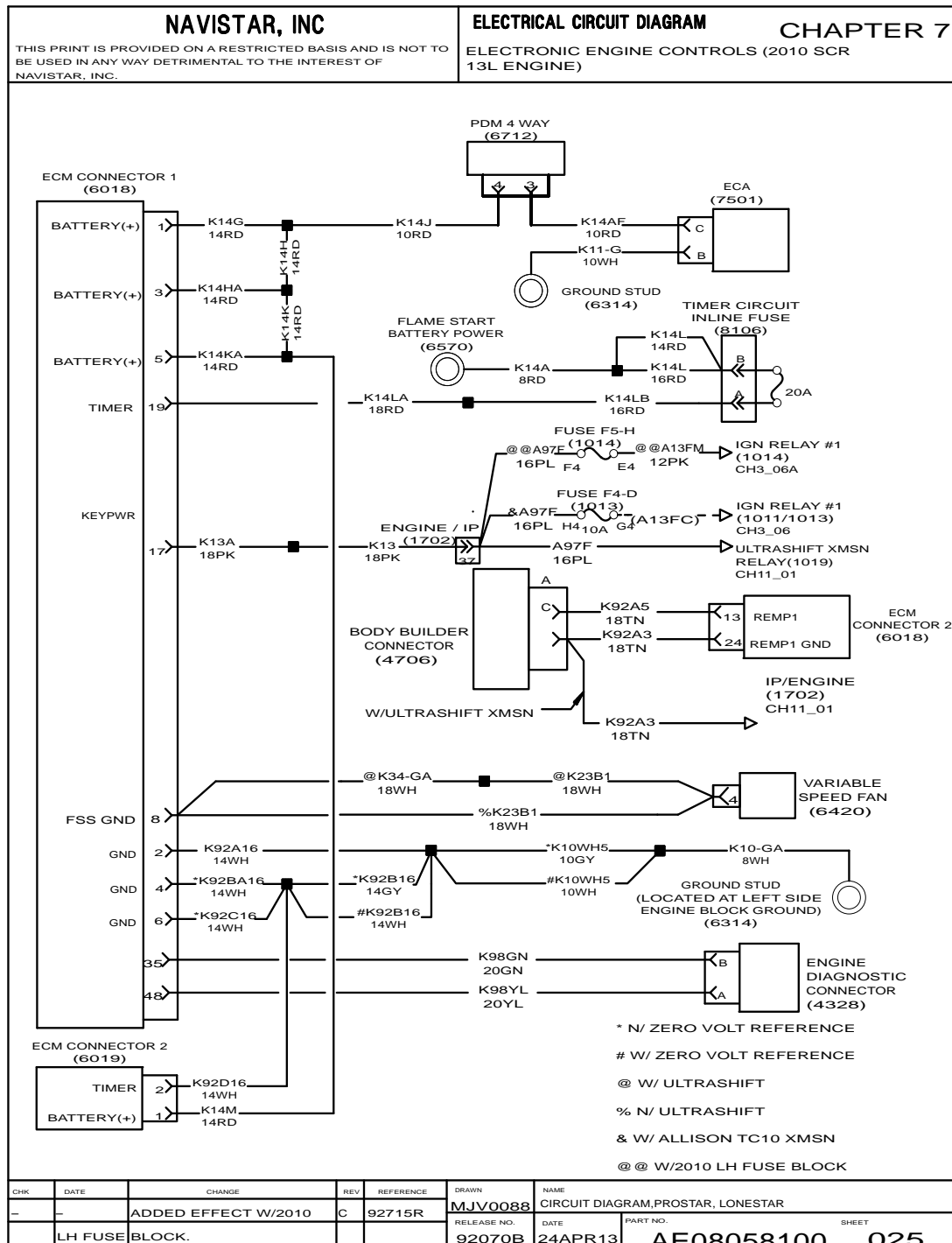


Figure 187 Electronic Engine Controls (2010 SCR 13L Engine)

7.34. ELECTRONIC ENGINE CONTROLS (2010 SCR 13L ENGINE) (CONT.), P. 26

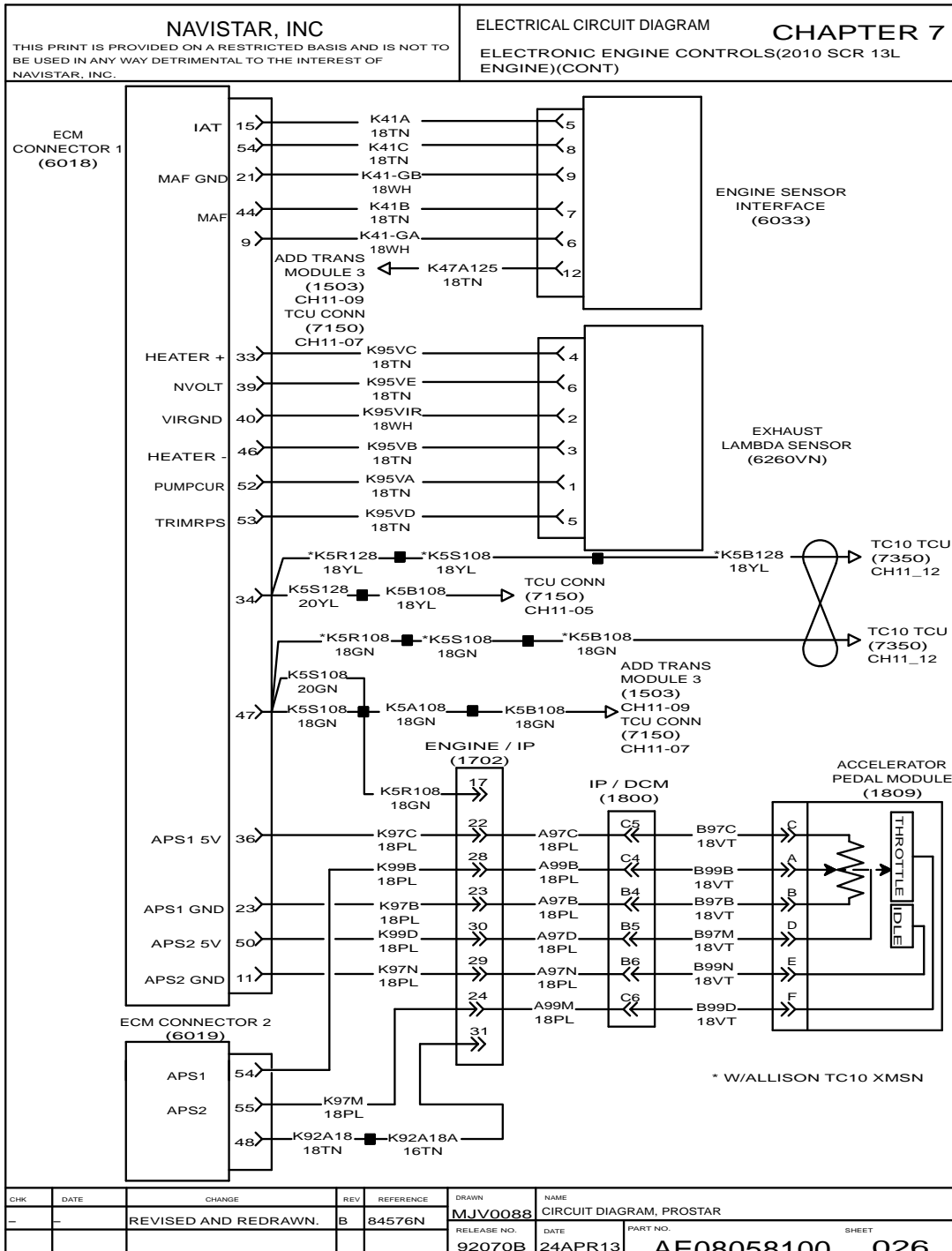


Figure 188 Electronic Engine Controls (2010 SCR 13L Engine) (Cont.)

7.35. ELECTRONIC ENGINE CONTROLS (2010 SCR 13L ENGINE) (CONT.), P. 27

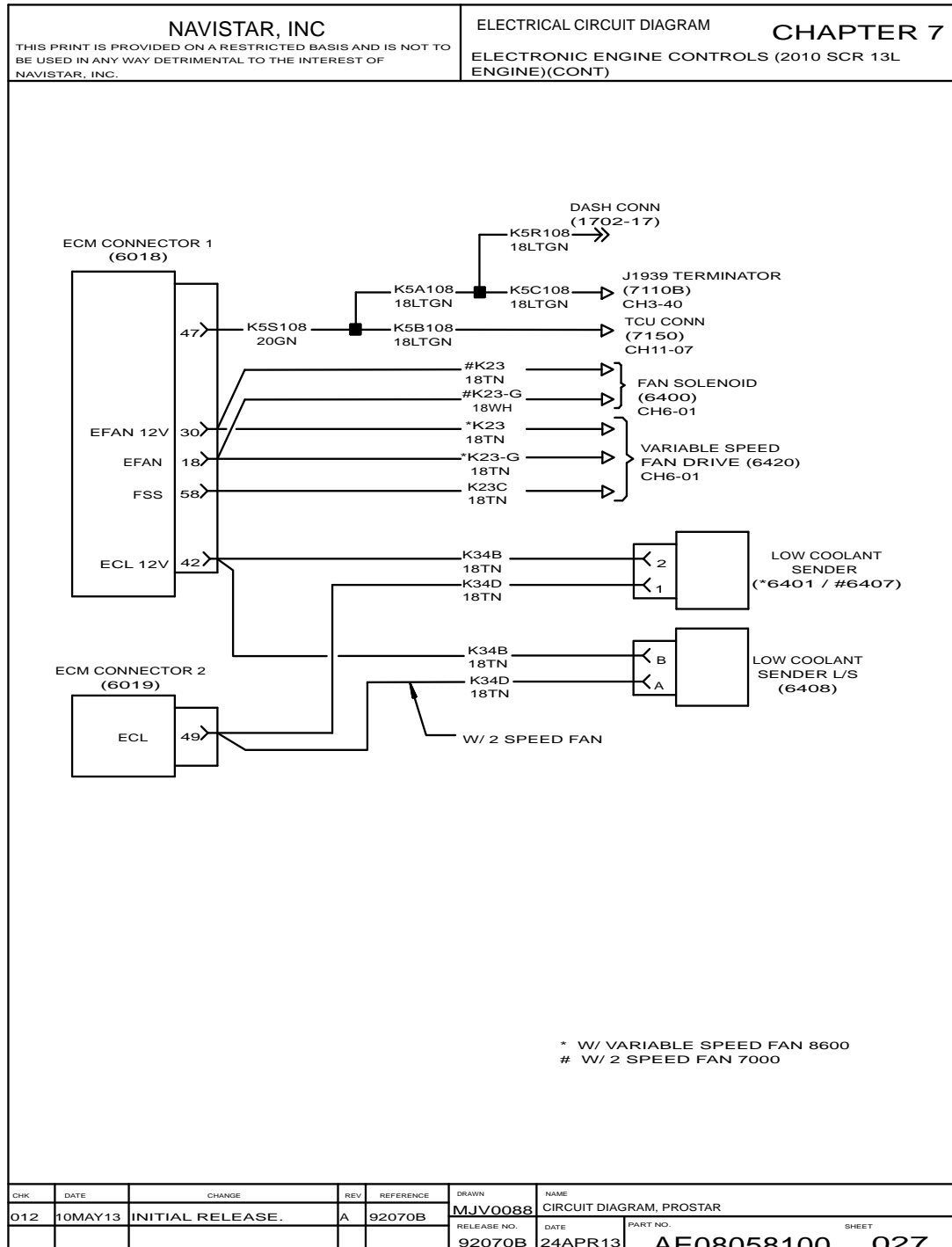


Figure 189 Electronic Engine Controls (2010 SCR 13L Engine) (Cont.)

7.36. ELECTRONIC ENGINE CONTROLS (2010 SCR 13L ENGINE) (CONT.), P. 28

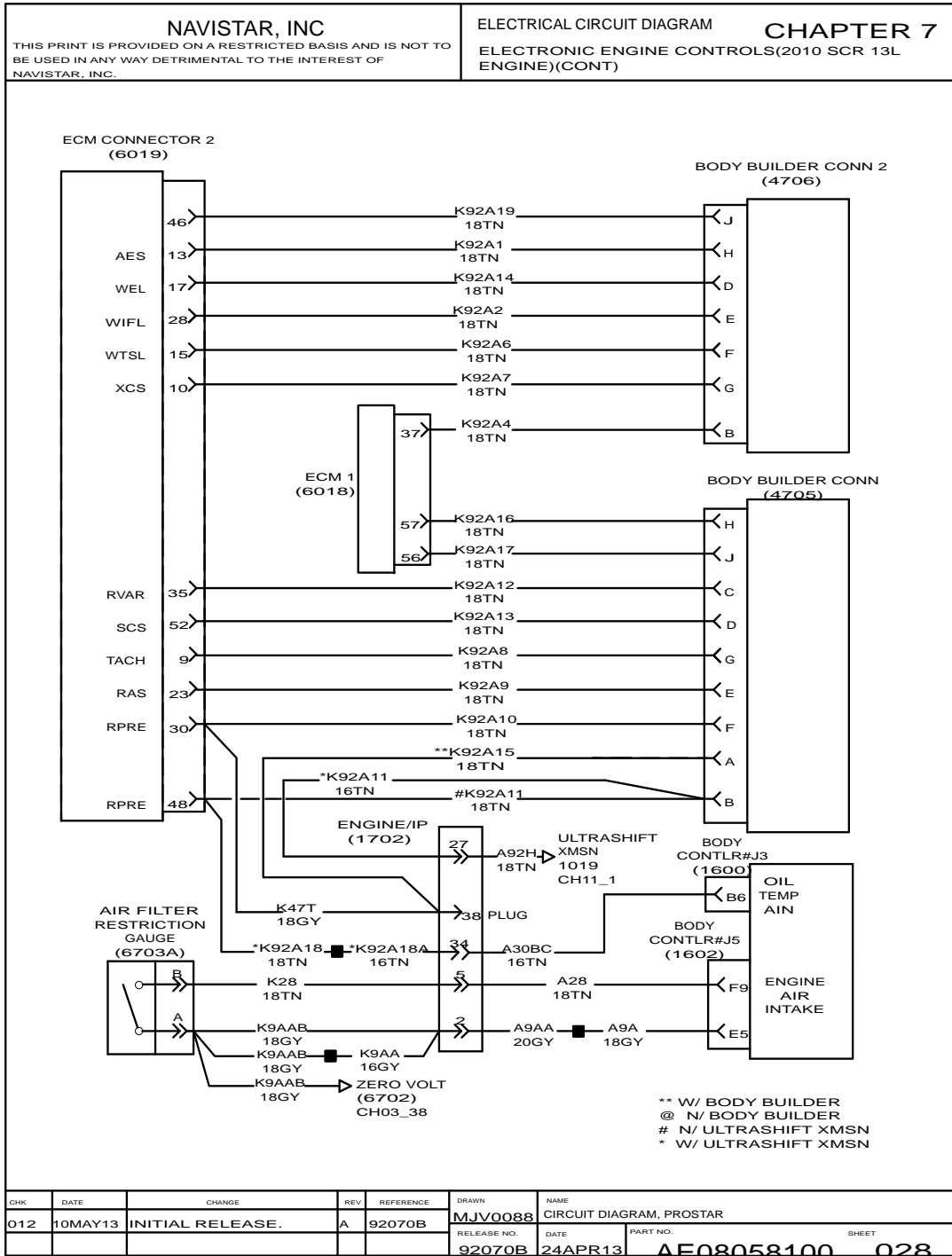


Figure 190 Electronic Engine Controls (2010 SCR 13L Engine) (Cont.)

7.37. ELECTRONIC ENGINE CONTROLS (2010 SCR 13L ENGINE) (CONT.), P. 29

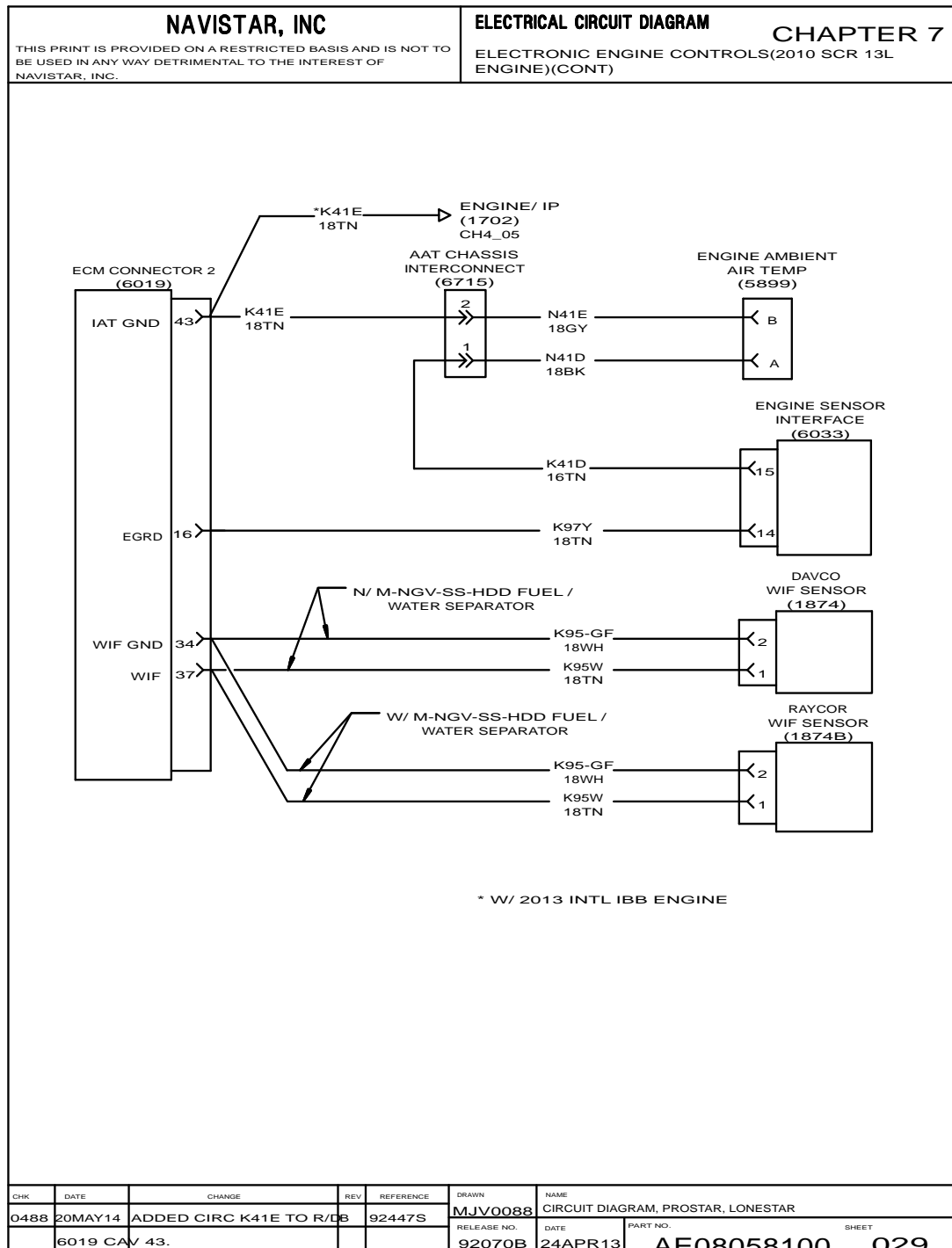


Figure 191 Electronic Engine Controls (2010 SCR 13L Engine) (Cont.)

7.38. ELECTRONIC ENGINE CONTROLS (2010 SCR 13L ENGINE) (CONT.), P. 30

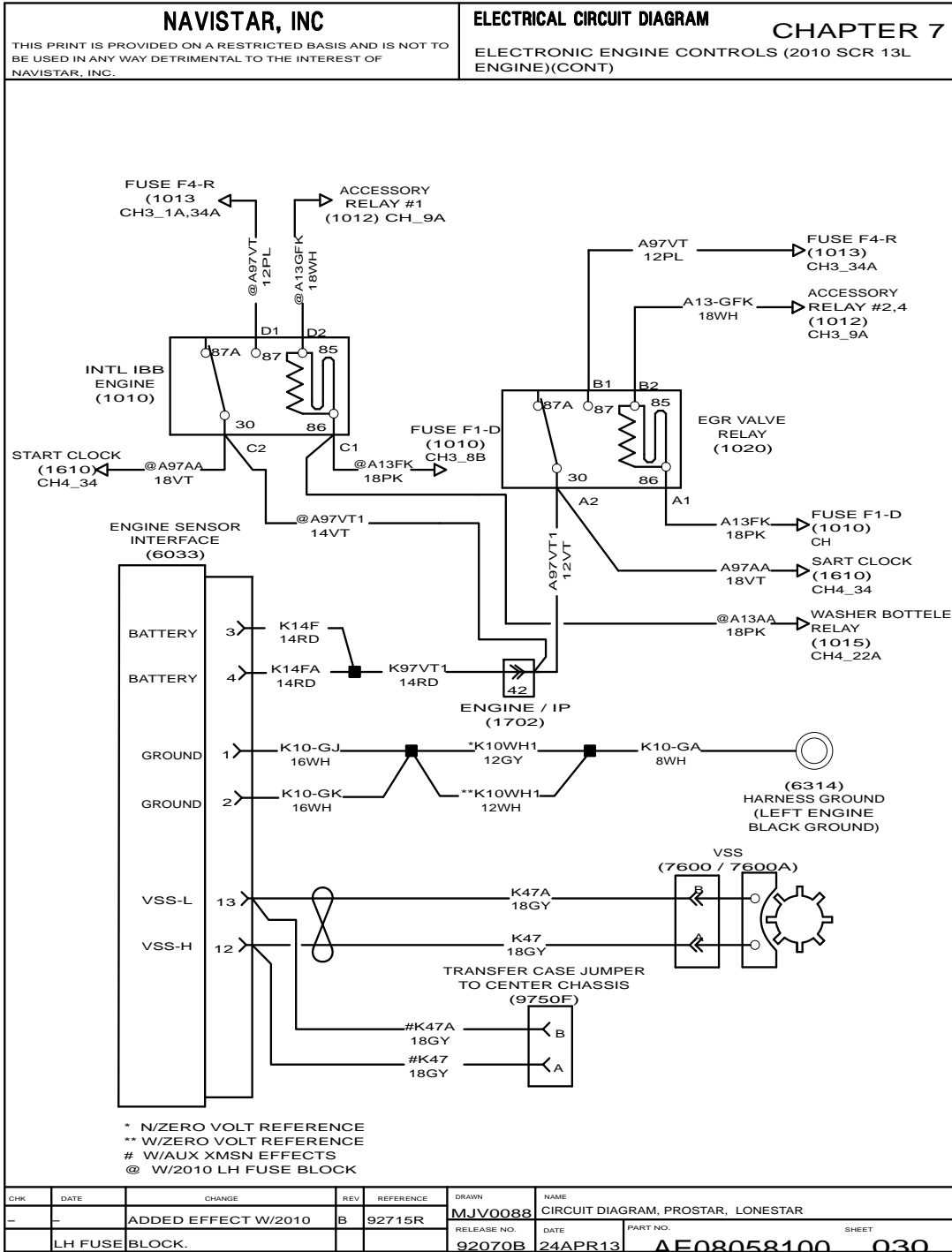


Figure 192 Electronic Engine Controls (2010 SCR 13L Engine) (Cont.)



7.39. DEF AND AFTERTREATMENT (2010 SCR 13L ENG), P. 31

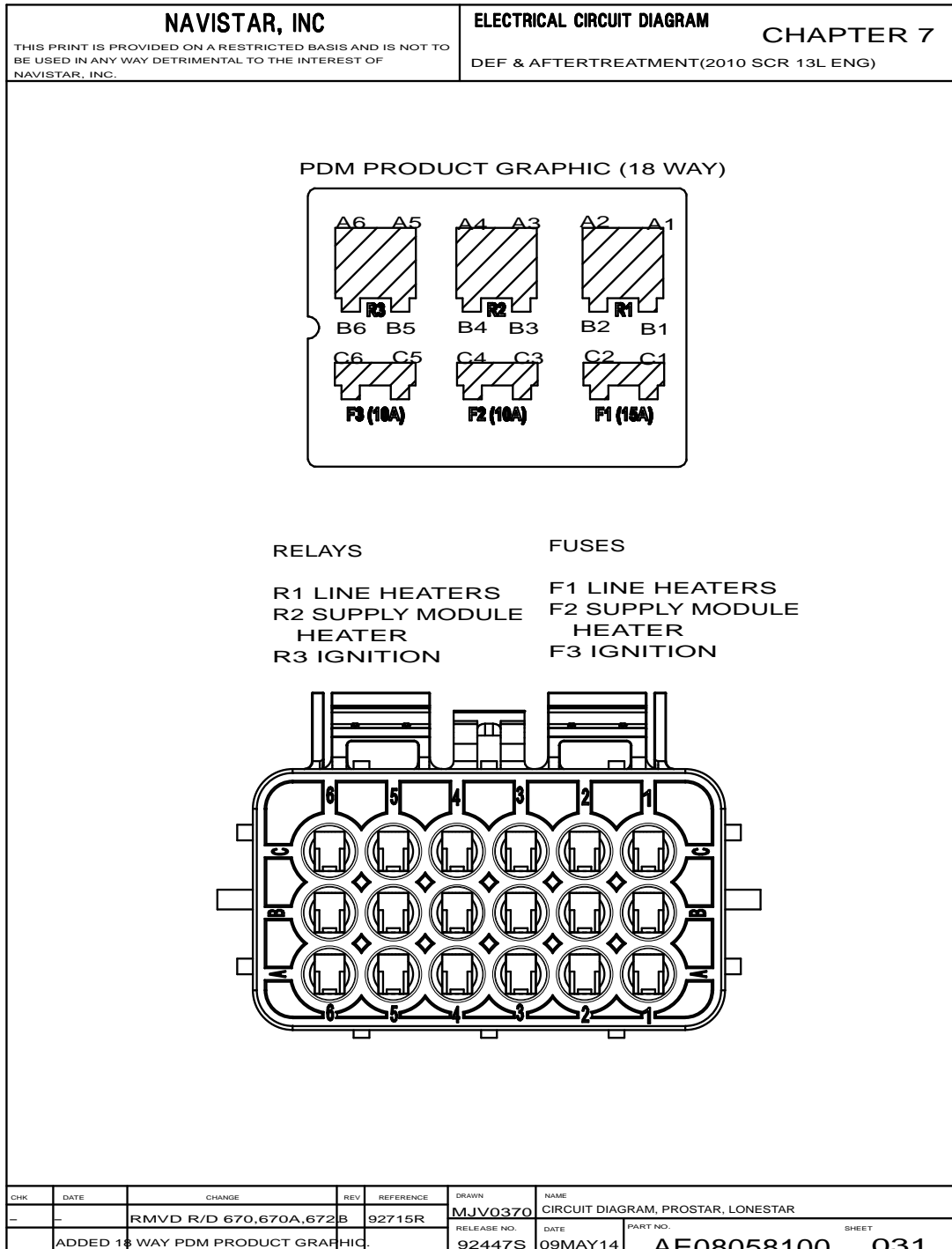


Figure 193 DEF and Aftertreatment (2010 SCR 13L ENG)

7.40. DEF AND AFTERTREATMENT (2010 SCR 13L ENG) (CONT.), P. 32

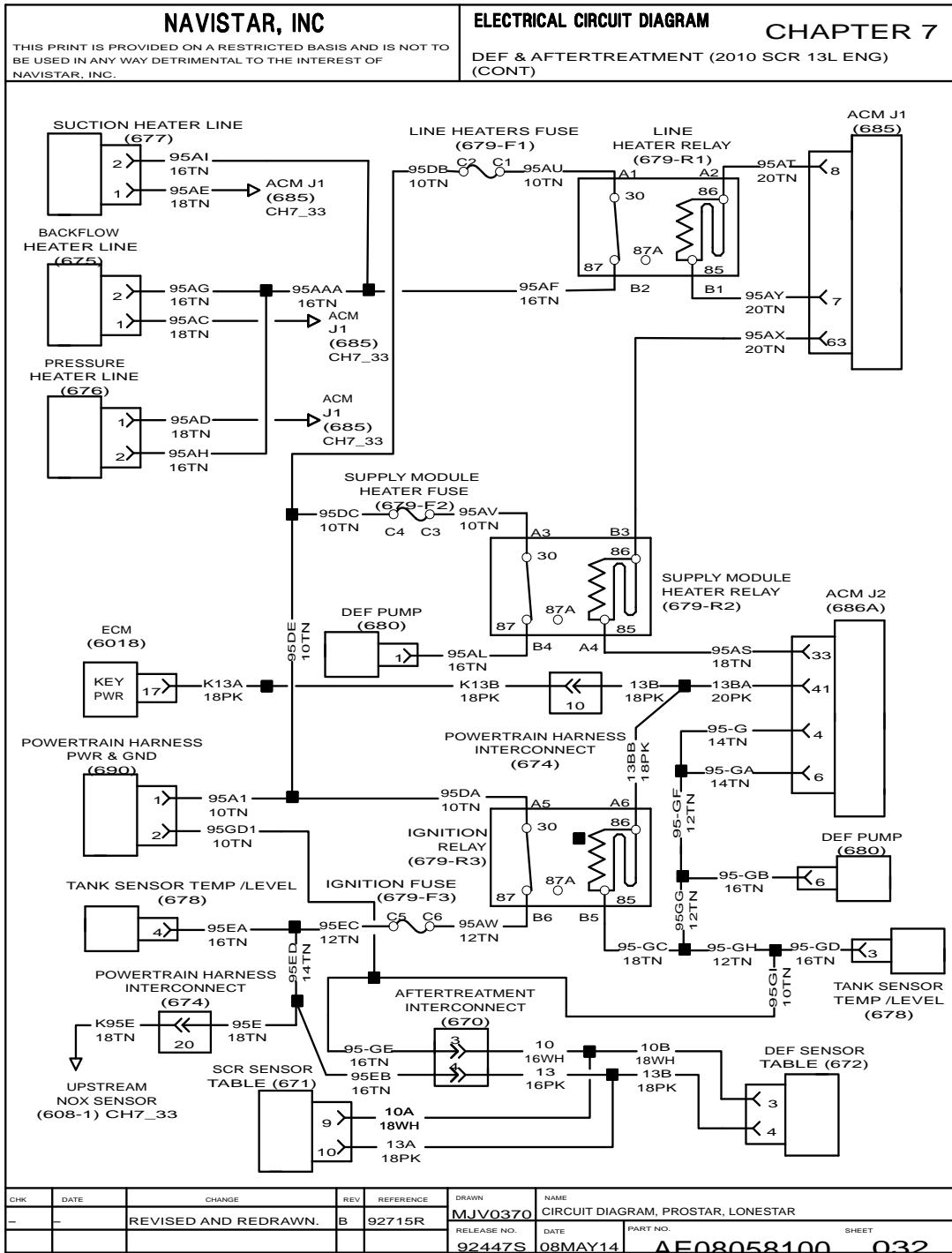


Figure 194 DEF and Aftertreatment (2010 SCR 13L ENG) (Cont.)

7.41. DEF AND AFTERTREATMENT (2010 SCR 13L ENG) (CONT.), P. 33

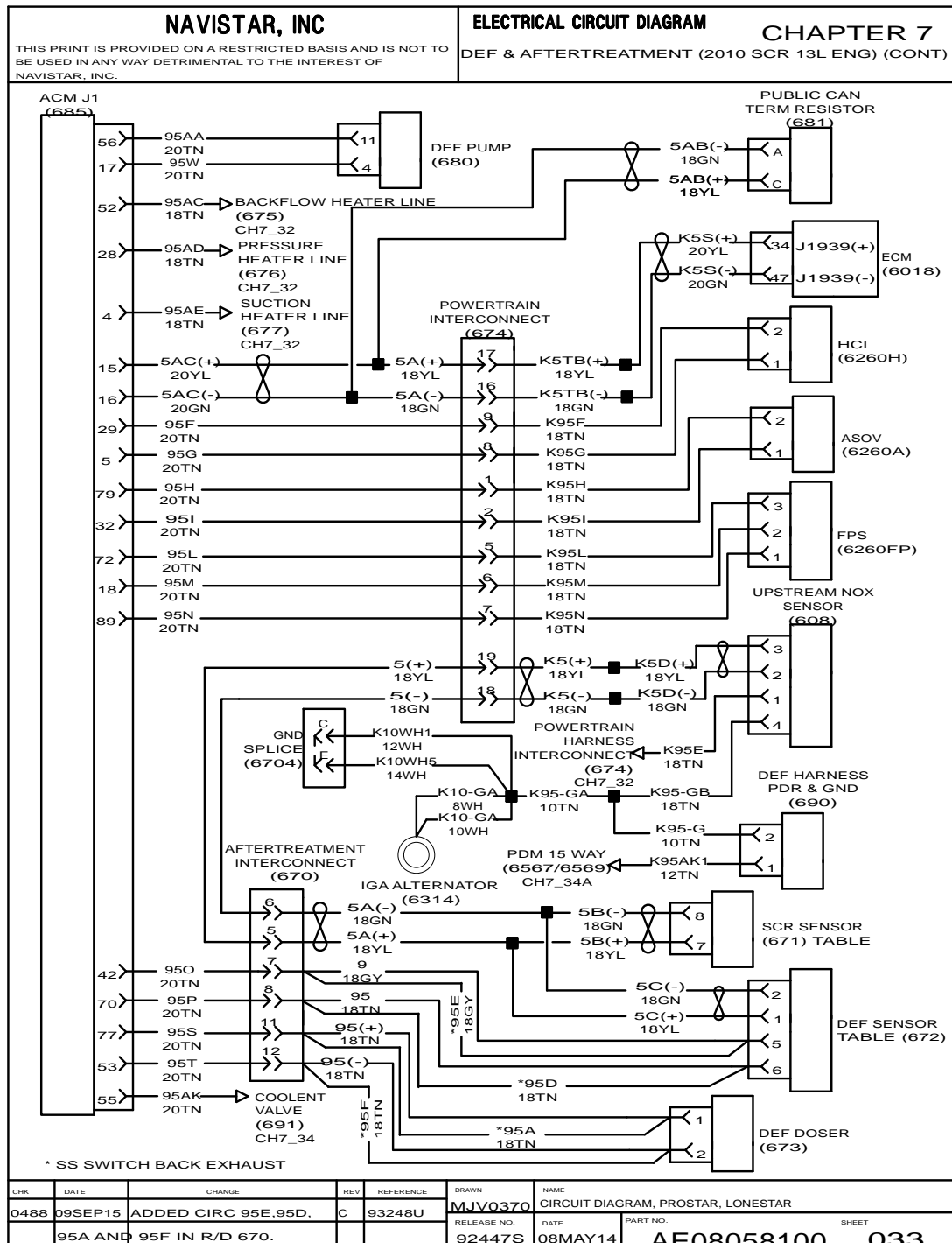


Figure 195 DEF and Aftertreatment (2010 SCR 13L ENG) (Cont.)

7.42. DEF AND AFTERTREATMENT (2010 SCR 13L ENG) (CONT.), P. 34

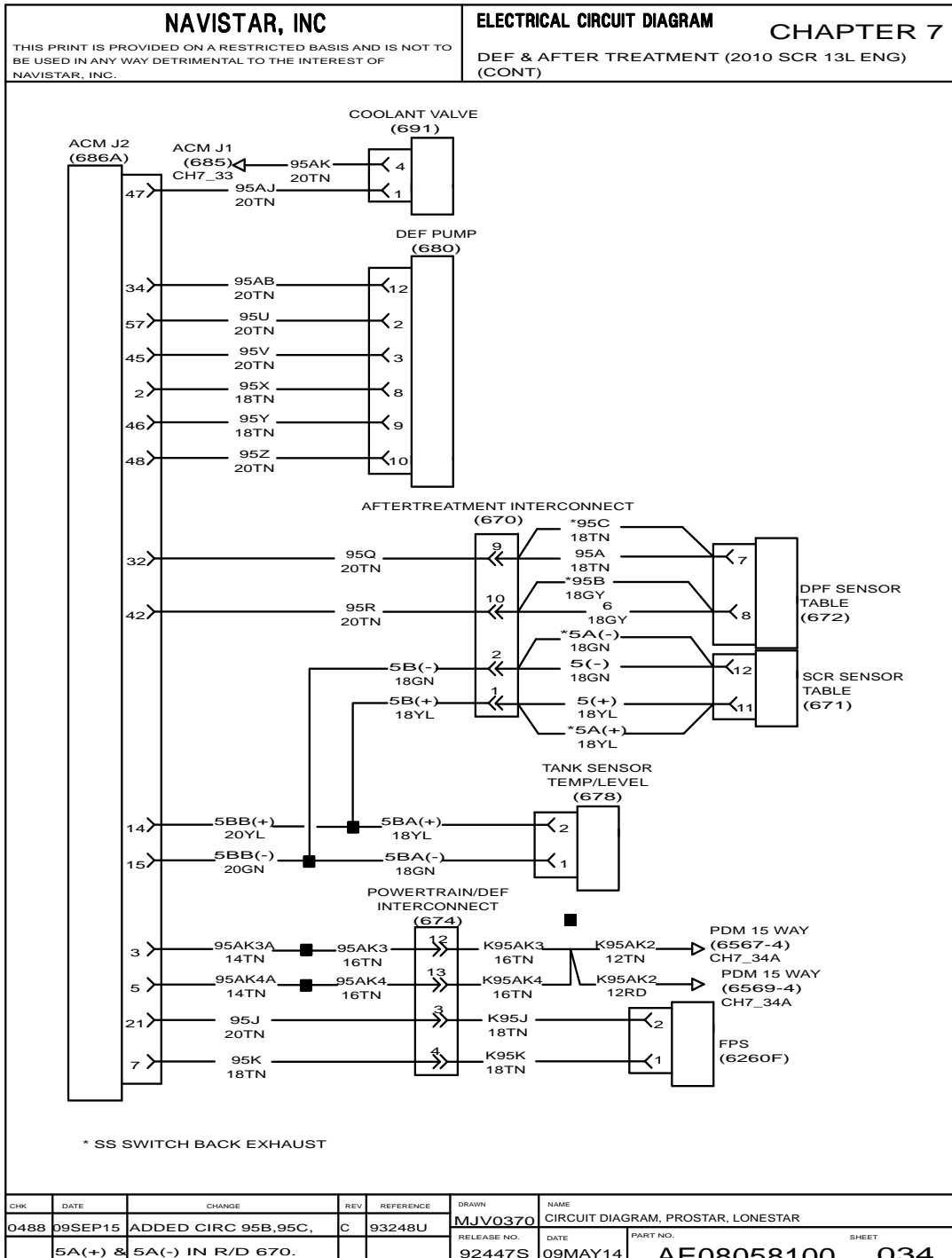


Figure 196 DEF and Aftertreatment (2010 SCR 13L ENG) (Cont.)

7.43. DEF AND AFTERTREATMENT (2010 SCR 13L ENG) (CONT.), P. 34A

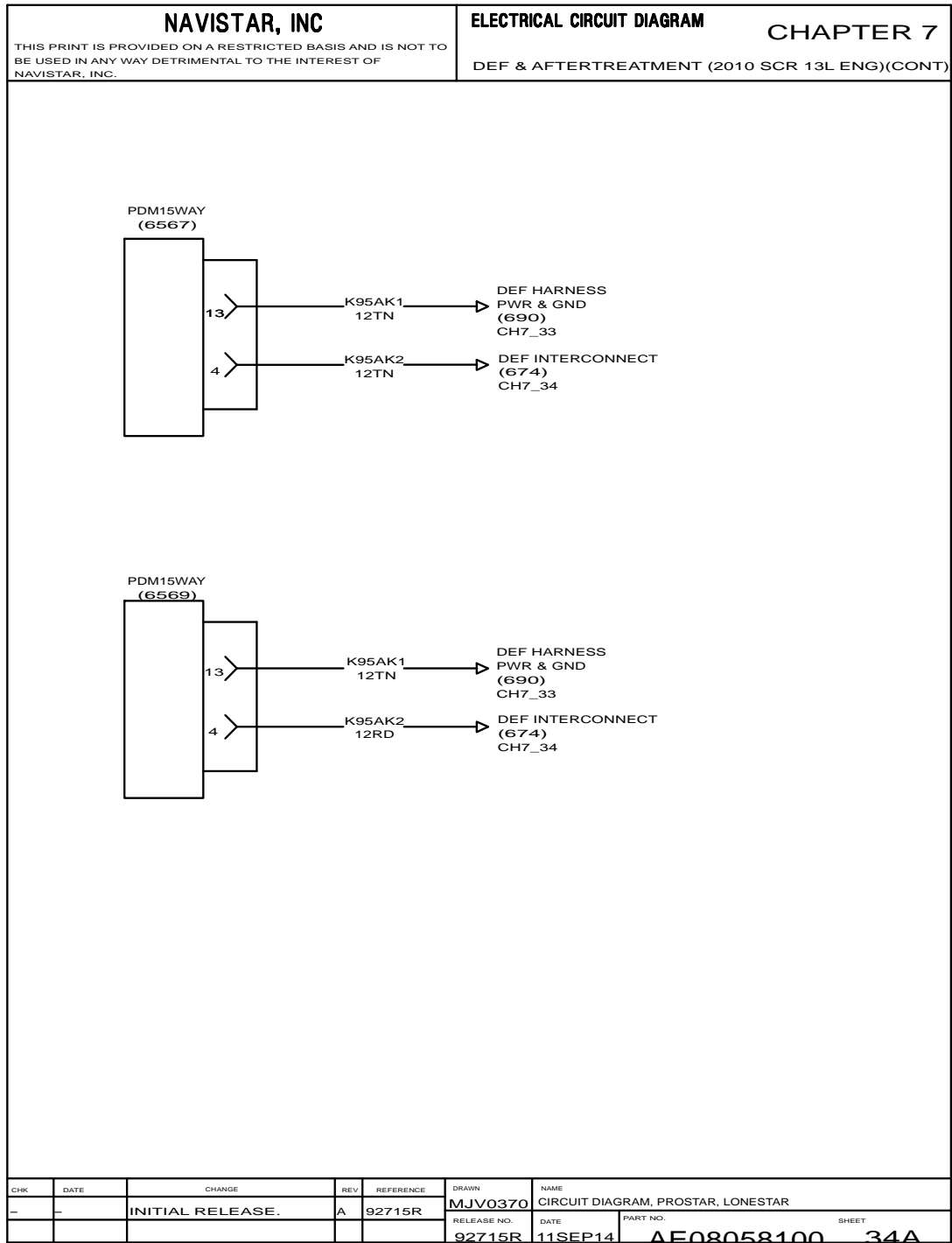


Figure 197 DEF and Aftertreatment (2010 SCR 13L ENG) (Cont.)

7.44. CAB J1939 DATA LINK (2010 SCR 13L ENG), P. 35

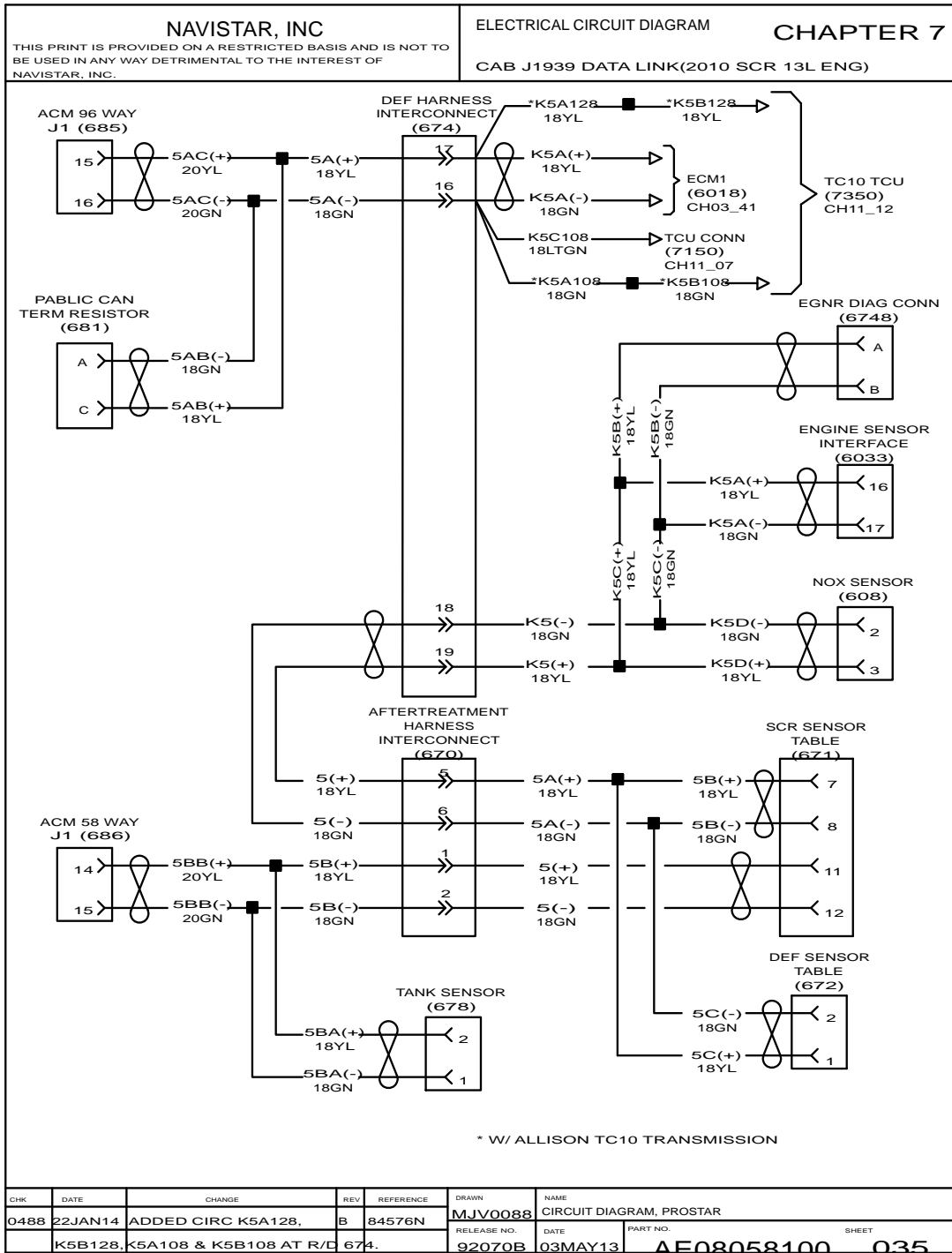


Figure 198 Cab J1939 Data Link (2010 SCR 13L ENG)

7.45. INTENTIONALLY LEFT BLANK P. 36

NAVISTAR, INC <small>THIS PRINT IS PROVIDED ON A RESTRICTED BASIS AND IS NOT TO BE USED IN ANY WAY DETRIMENTAL TO THE INTEREST OF NAVISTAR, INC.</small>				ELECTRICAL CIRCUIT DIAGRAM ENGINE		CHAPTER 7	
<h1 style="margin: 0;">INTENTIONALLY LEFT BLANK</h1>							
CHK	DGE	CHARGE	REV	REFERENCE	GROUP	NAME	
	CHAPTER 7.				REVISIONS	DATE	PART NO. AE08058100 SHEET 036

Figure 199 Intentionally Left Blank

7.46. INTENTIONALLY LEFT BLANK, P. 37

<b>NAVISTAR, INC</b> <small>THIS PRINT IS PROVIDED ON A RESTRICTED BASIS AND IS NOT TO BE USED IN ANY WAY DETRIMENTAL TO THE INTEREST OF NAVISTAR, INC.</small>				<b>ELECTRICAL CIRCUIT DIAGRAM</b> <b>CHAPTER 7</b> <b>ENGINE</b>			
<h1>INTENTIONALLY LEFT BLANK</h1>							
CHK	DATE	CHANGE	REF	REFERENCE	ISSUED	FLUID	
					RELEASED	DATE	PART NO. <b>AE08058100</b> SHEET <b>037</b>

Figure 200 Intentionally Left Blank



7.47. INTENTIONALLY LEFT BLANK, P. 38

<b>NAVISTAR, INC</b> <small>THIS PRINT IS PROVIDED ON A RESTRICTED BASIS AND IS NOT TO BE USED IN ANY WAY DETRIMENTAL TO THE INTEREST OF NAVISTAR, INC.</small>				ELECTRICAL CIRCUIT DIAGRAM <b>CHAPTER 7</b> ENGINE			
<h1 style="margin: 0;">INTENTIONALLY LEFT BLANK</h1>							
CHK	DATE	CHANGE	PKY	REFERENCE	DRAWN	TUNER	
RELEASE NO.					DATE	PART NO. <b>AE08058100</b>	
						SHEET <b>038</b>	

Figure 201 Intentionally Left Blank

7.48. INTENTIONALLY LEFT BLANK, P. 39

<b>NAVISTAR, INC</b> <small>THIS PRINT IS PROVIDED ON A RESTRICTED BASIS AND IS NOT TO BE USED IN ANY WAY DETRIMENTAL TO THE INTEREST OF NAVISTAR, INC.</small>				ELECTRICAL CIRCUIT DIAGRAM <b>CHAPTER 7</b> ENGINE				
<h1 style="margin: 0;">INTENTIONALLY LEFT BLANK</h1>								
CHG	DATE	CHANGE	BY	REFERENCE	DRAWN	FLUID		
					RELEASED BY	DATE	PART NO.	SHEET
							<b>AE08058100</b>	<b>039</b>

Figure 202 Intentionally Left Blank

7.49. INTENTIONALLY LEFT BLANK, P. 40

<p><b>NAVISTAR, INC</b></p> <p><small>THIS PRINT IS PROVIDED ON A RESTRICTED BASIS AND IS NOT TO BE USED IN ANY WAY DETRIMENTAL TO THE INTEREST OF NAVISTAR, INC.</small></p>				<p>ELECTRICAL CIRCUIT DIAGRAM <b>CHAPTER 7</b></p> <p>ENGINE</p>			
<p><b>INTENTIONALLY LEFT BLANK</b></p>							
CHK	DATE	CHANGE	PKY	REFERENCE	DRAWN	TUNER	
				RELEASE NO.	DATE	DRAWING NO. <b>AE08058100</b>	
						SHEET <b>040</b>	

Figure 203 Intentionally Left Blank

7.50. ELECTRONIC ENGINE CONTROLS (ISX 2013), P. 41

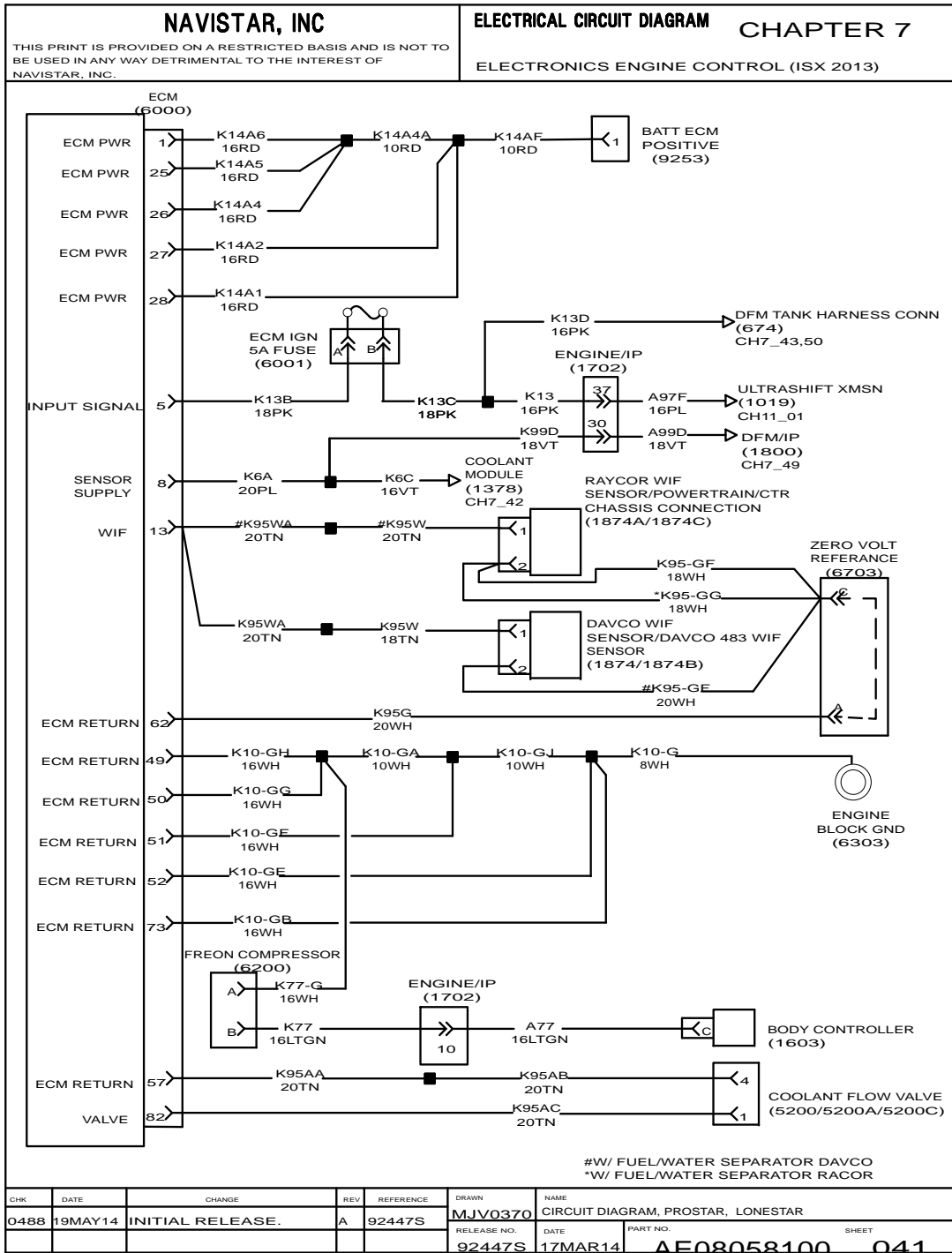


Figure 204 Electronic Engine Controls (ISX 2013)

7.51. ELECTRONIC ENGINE CONTROLS (ISX 2013) (CONT.), P. 42

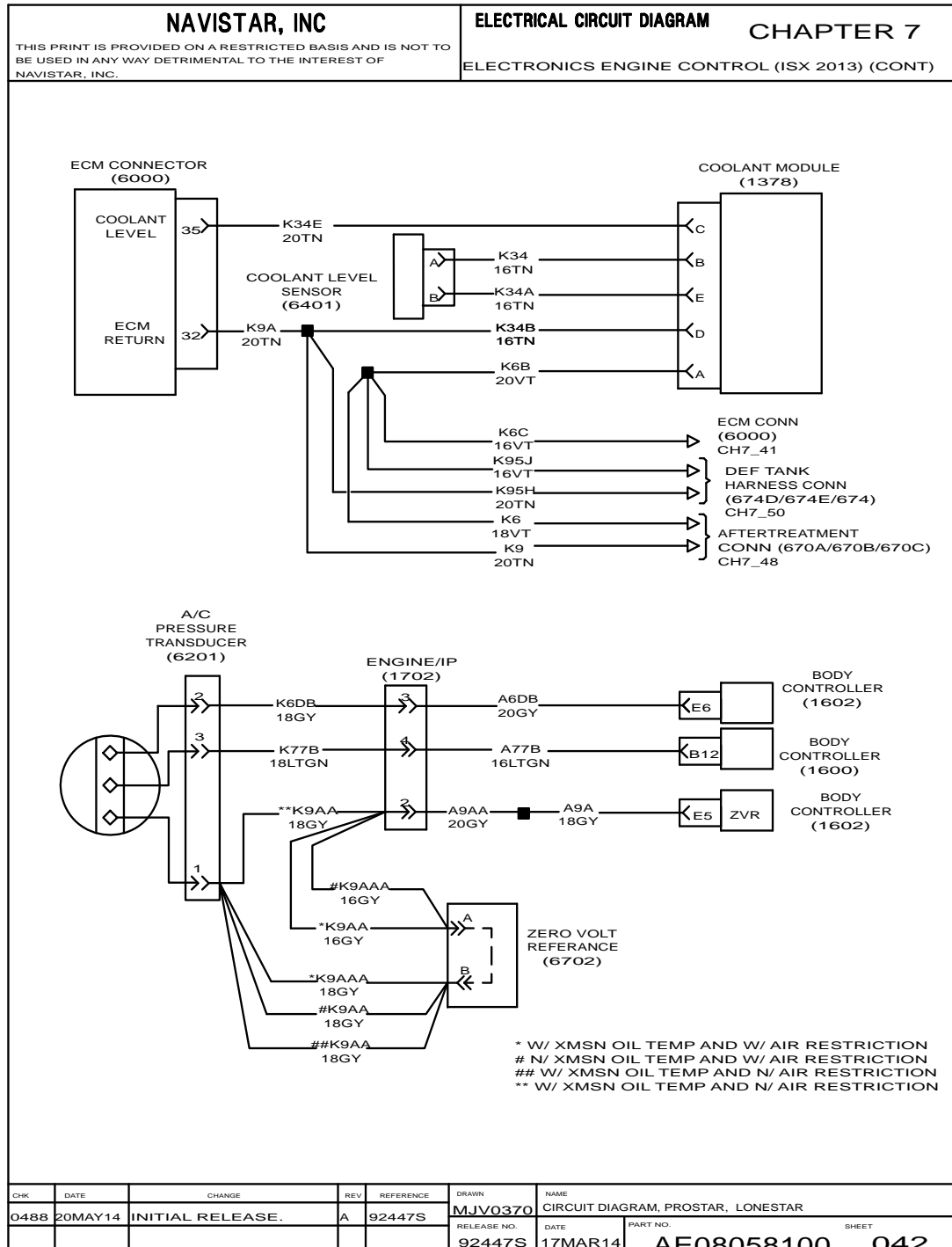


Figure 205 Electronic Engine Controls (ISX 2013) (Cont.)

7.52. ACCELERATOR PEDAL MODULE (ISX 2013), P. 49

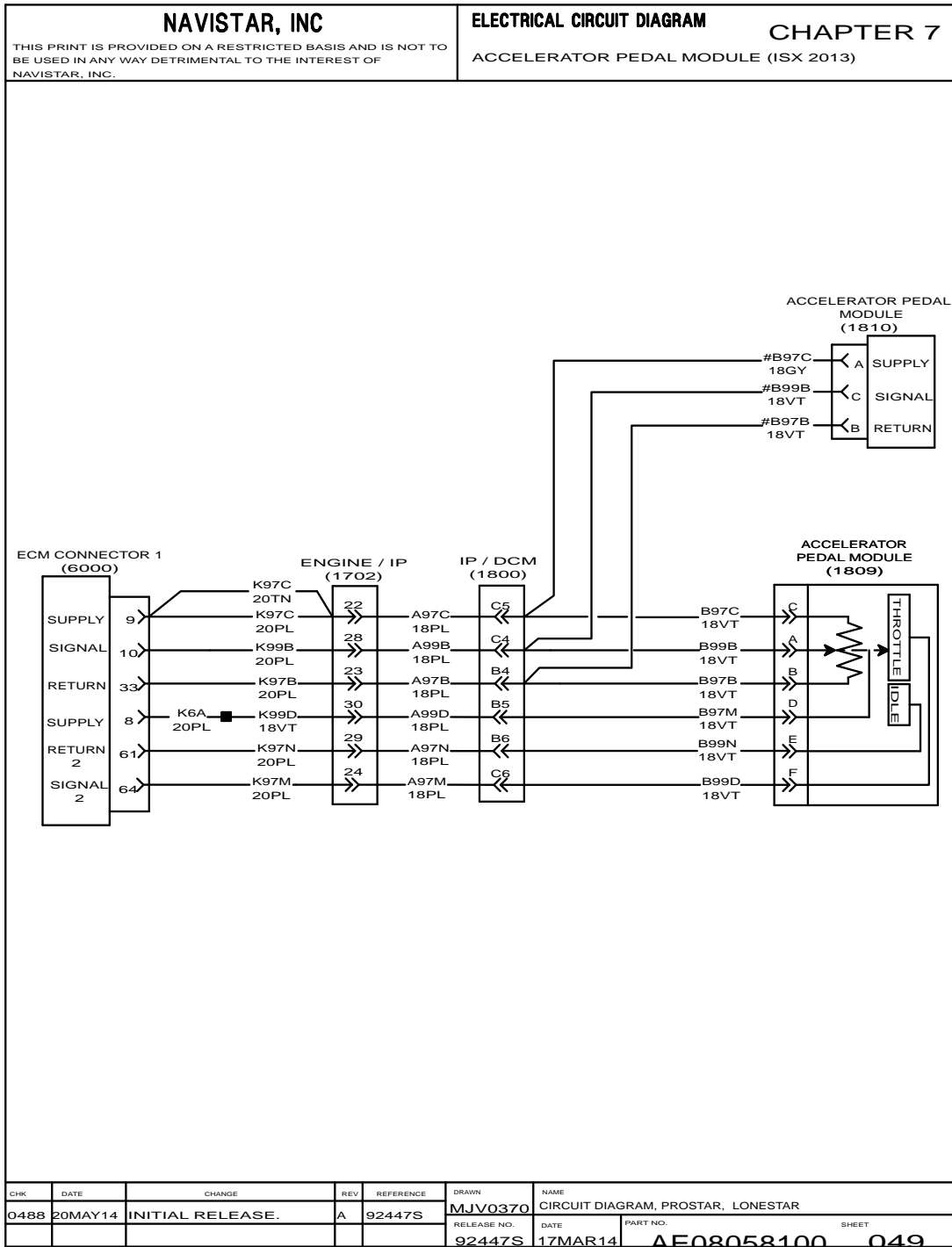


Figure 206 Accelerator Pedal Module (ISX 2013)

7.53. DEF AND AFTERTREATMENT (ISX 2013), P. 50

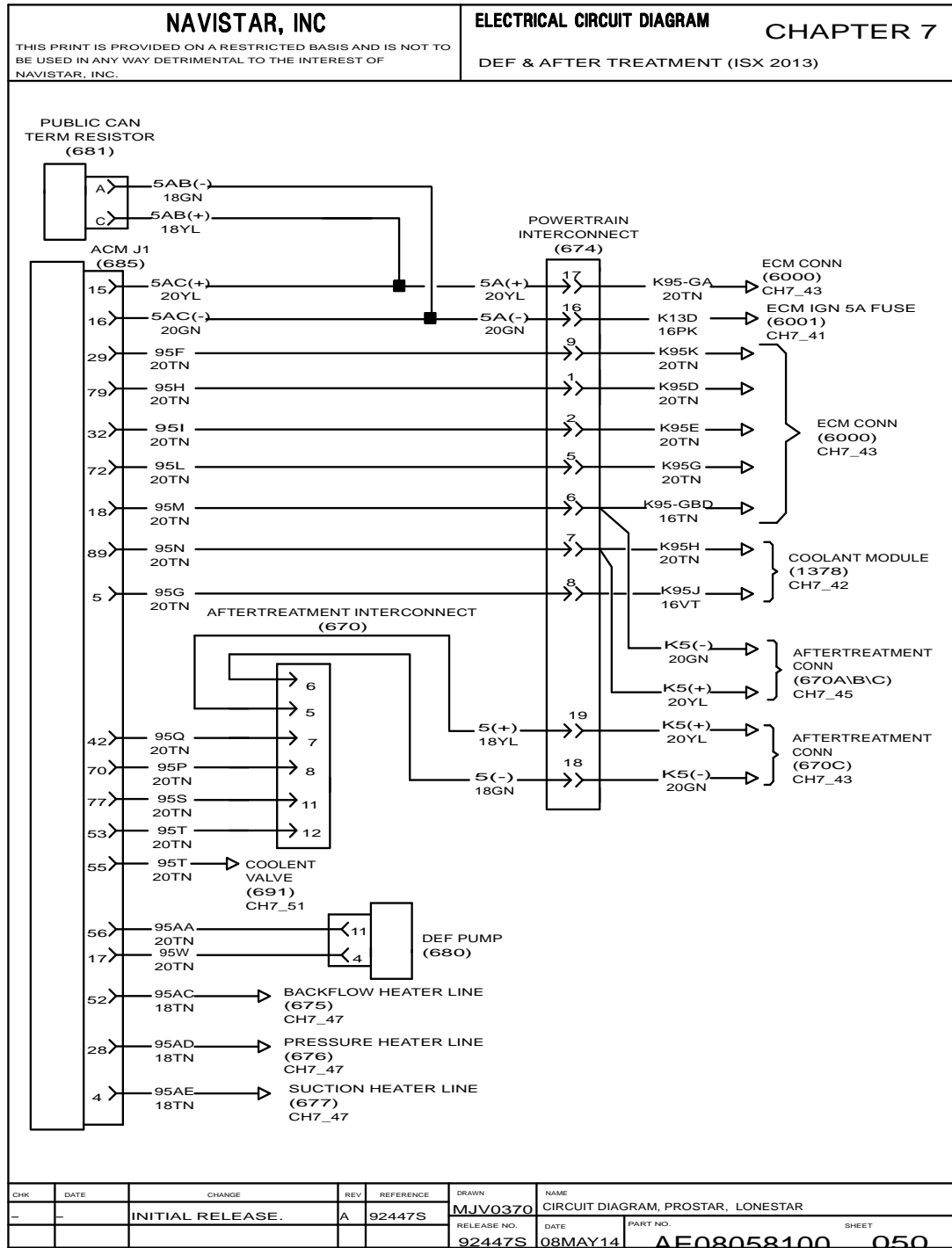


Figure 207 DEF and Aftertreatment (ISX 2013)

7.54. DEF AND AFTERTREATMENT (ISX 2013) (CONT.), P. 51

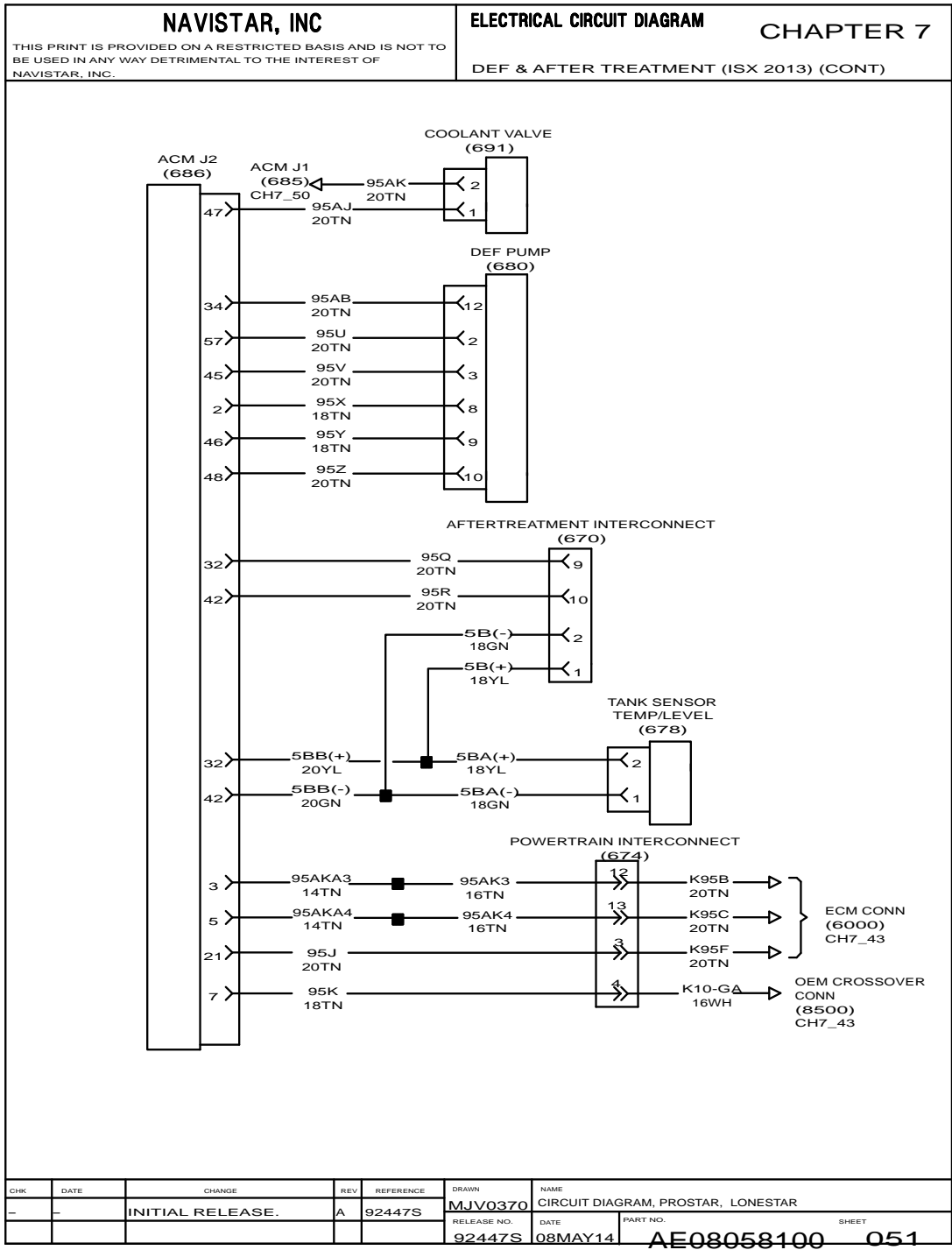


Figure 208 DEF and Aftertreatment (ISX 2013) (Cont.)



# GAUGES AND WARNING LIGHTS (CHAPTER 8)

## 8.1. AIR PRESSURE INPUT CIRCUIT AND AIR RESTRICTION GAUGE, P. 1

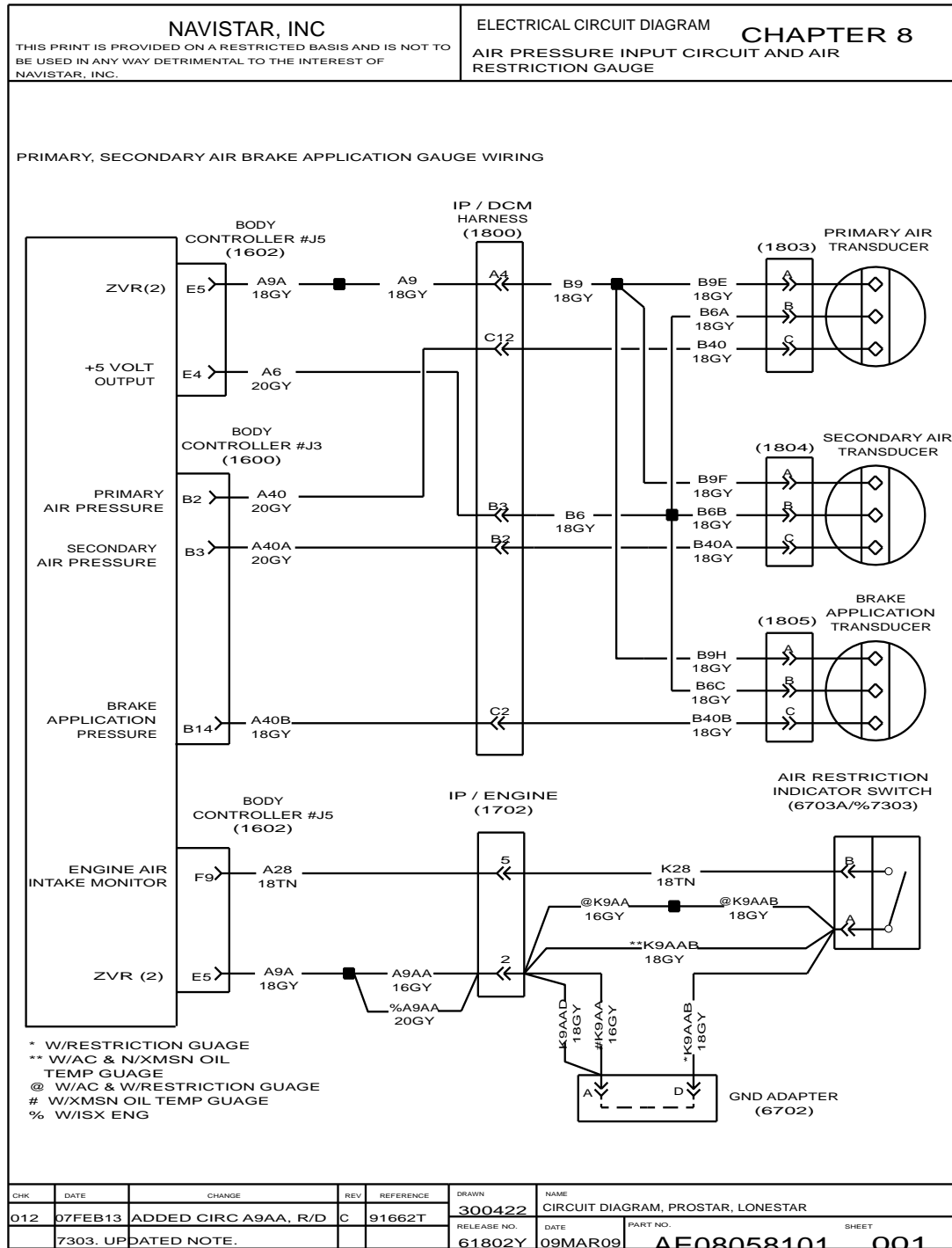


Figure 209 Air Pressure Input Circuit and Air Restriction Gauge

8.2. AXLE TEMPERATURE GAUGES, P. 2

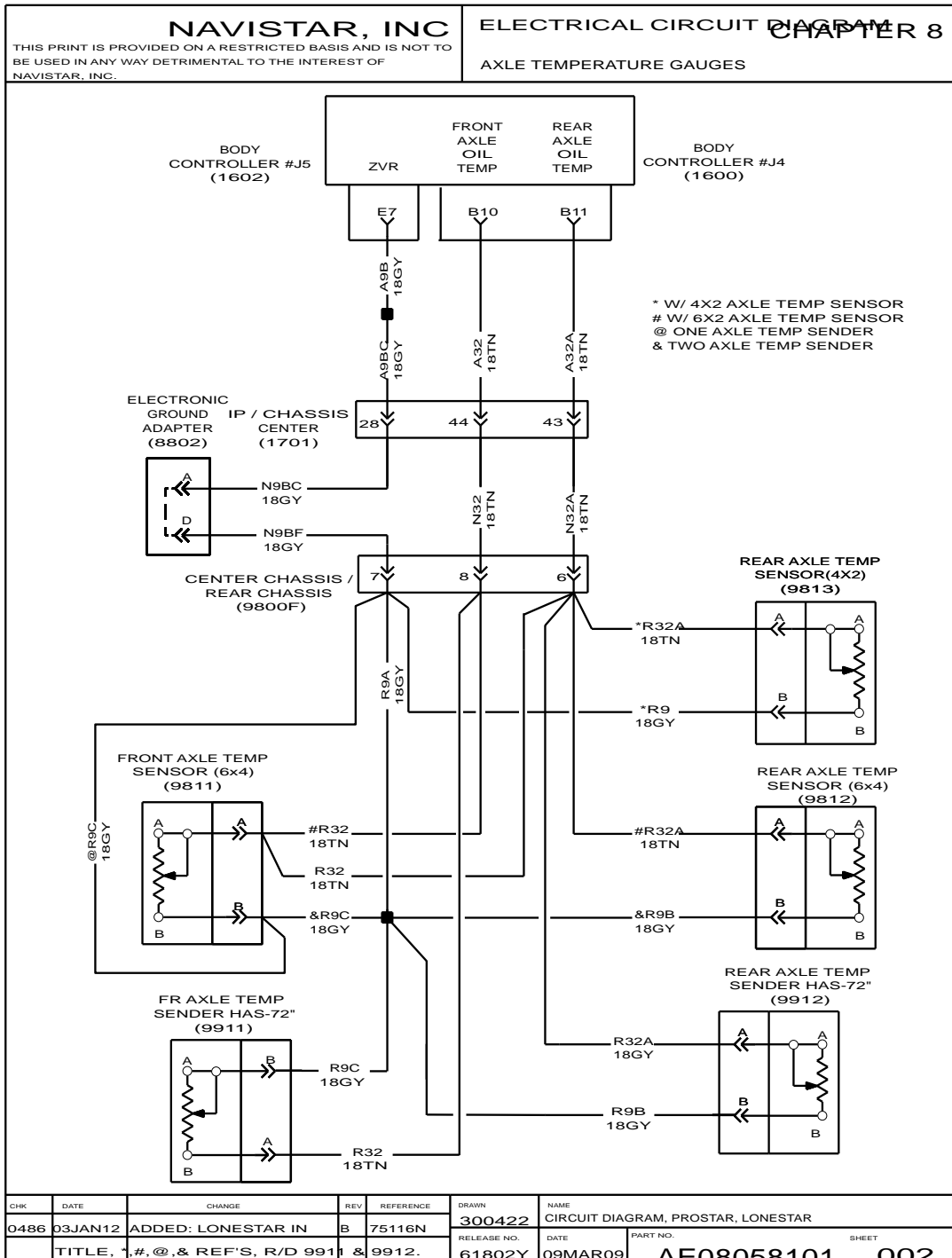


Figure 210 Axle Temperature Gauges

**8.3. ENGINE OIL PRESSURE AND TEMPERATURE, SPEEDOMETER, TACHOMETER, VOLTMETER AND WATER TEMPERATURE GAUGES, P. 3**

<b>NAVISTAR, INC</b>				<b>ELECTRICAL CIRCUIT DIAGRAM CHAPTER 8</b>				
THIS PRINT IS PROVIDED ON A RESTRICTED BASIS AND IS NOT TO BE USED IN ANY WAY DETRIMENTAL TO THE INTEREST OF NAVISTAR, INC.				ENGINE OIL PRESSURE AND TEMP, SPEEDO, TACH, VOLTMETER AND WATER TEMP GAUGE				
<p>REFER TO CONSOLIDATED ENGINE / VEHICLE CONTROLLER DIAGNOSTICS MANUAL FOR CIRCUIT DIAGRAMS SHOWING INPUT CIRCUITRY FOR THE FOLLOWING DATALINK DRIVEN SYSTEM:</p> <p>ENGINE OIL PRESSURE GAUGE</p> <p>ENGINE OIL TEMPERATURE GAUGE</p> <p>SPEEDOMETER GAUGE</p> <p>TACHOMETER GAUGE</p> <p>WATER TEMPERATURE GAUGE</p>								
CHK	DATE	CHANGE	REV	REFERENCE	DRAWN	NAME		
0486	30DEC11	TITLE WAS CIRCUIT	B	82357E	300422	CIRCUIT DIAGRAM, PROSTAR, LONESTAR		
					RELEASE NO.	DATE	PART NO.	SHEET
					61802Y	09MAR09	AE08058101	003
					DIAGRAM, PROSTAR.			

**Figure 211 Engine Oil Pressure and Temperature, Speedometer, Tachometer, Voltmeter and Water Temperature Gauges**

8.4. ENGINE OIL AND TRANSMISSION OIL TEMPERATURE GAUGE, P. 4

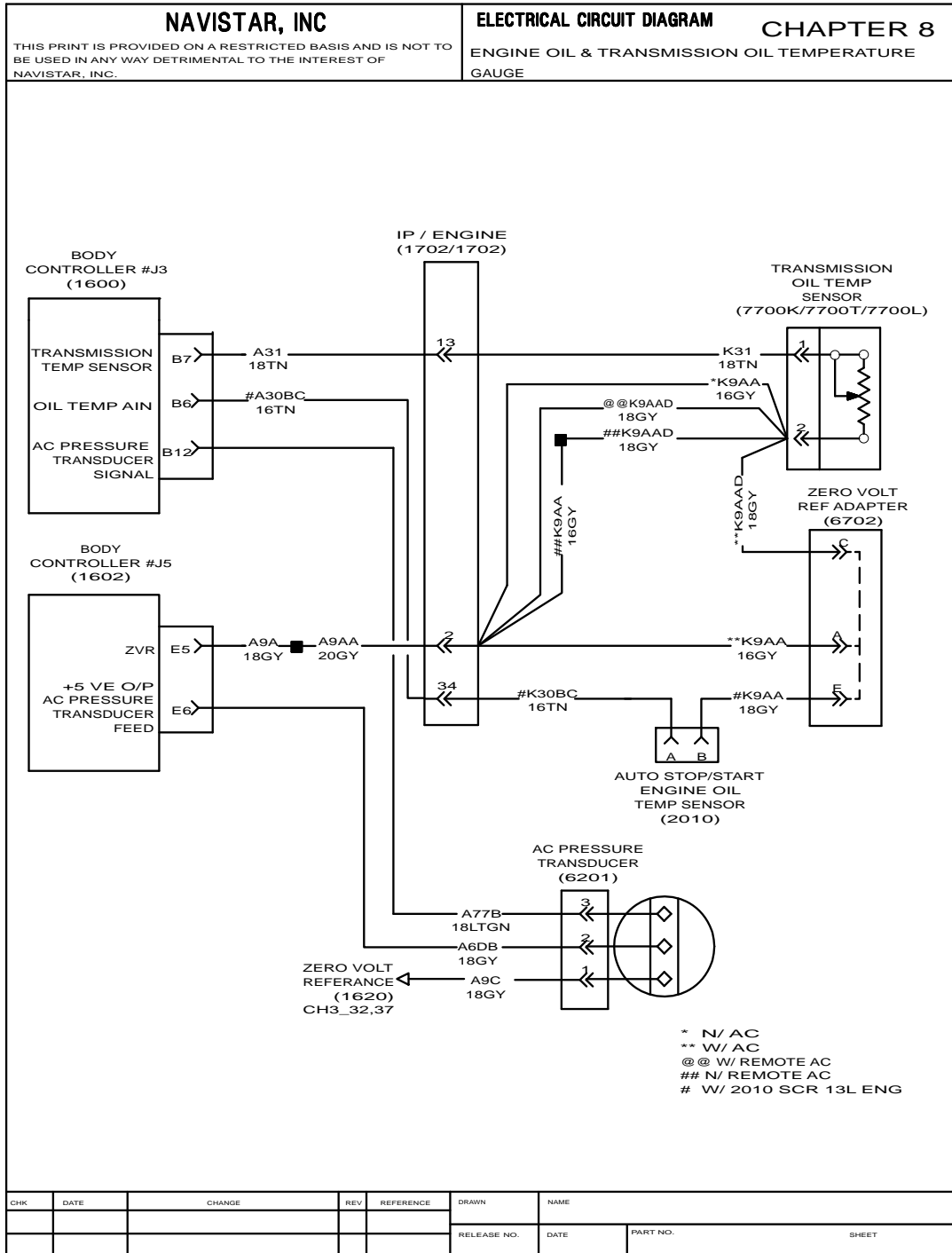


Figure 212 Engine Oil and Transmission Oil Temperature Gauge

8.5. FUEL HEATER, P. 5

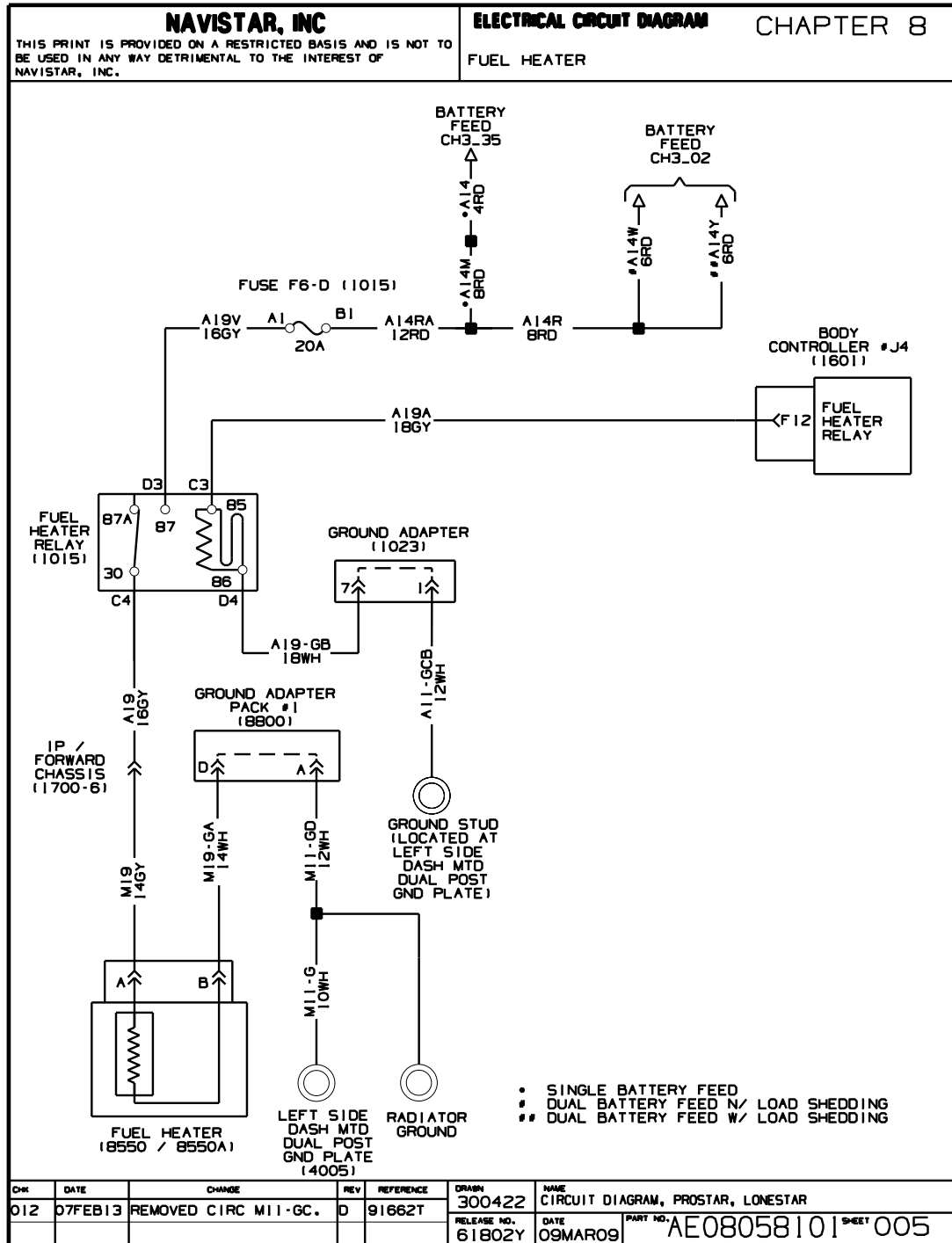


Figure 213 Fuel Heater

8.6. FUEL HEATER (CONT.), P. 5A

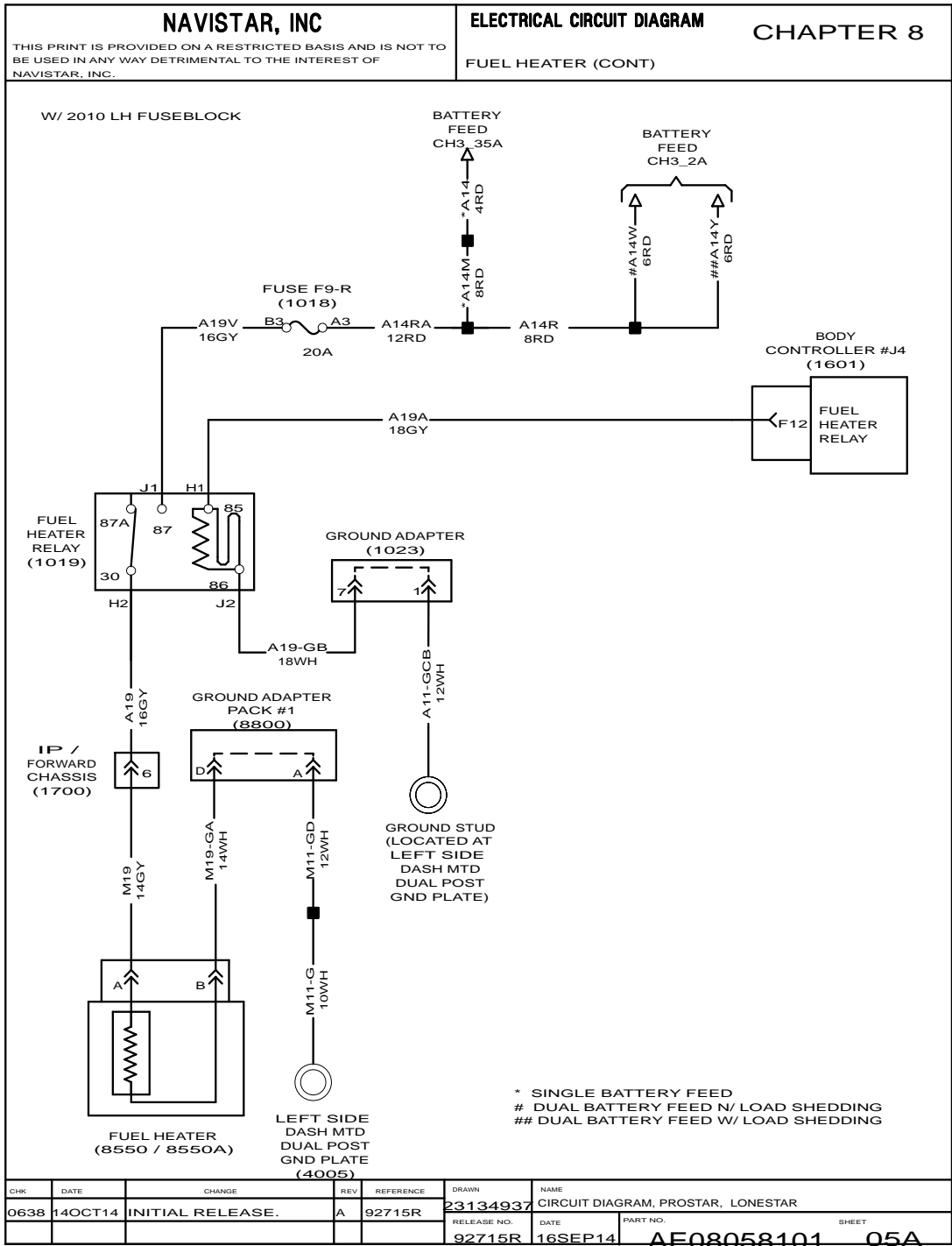


Figure 214 Fuel Heater (Cont.)

8.7. DIFFERENTIAL LOCK AND OPTIONAL INDICATOR, P. 6

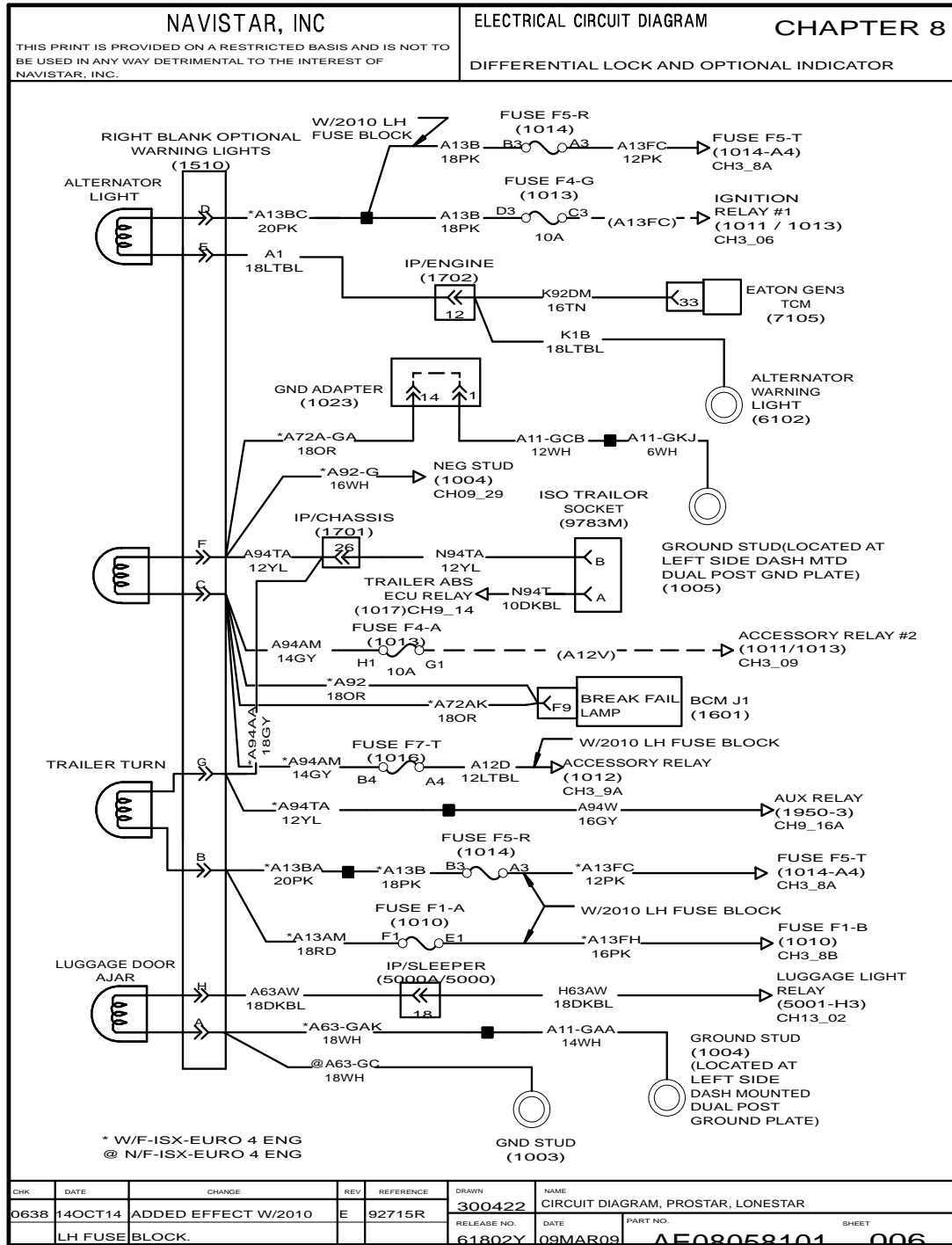


Figure 215 Differential Lock and Optional Indicator

8.8. DIFFERENTIAL LOCK AND OPTIONAL INDICATOR (CONT.), P. 7

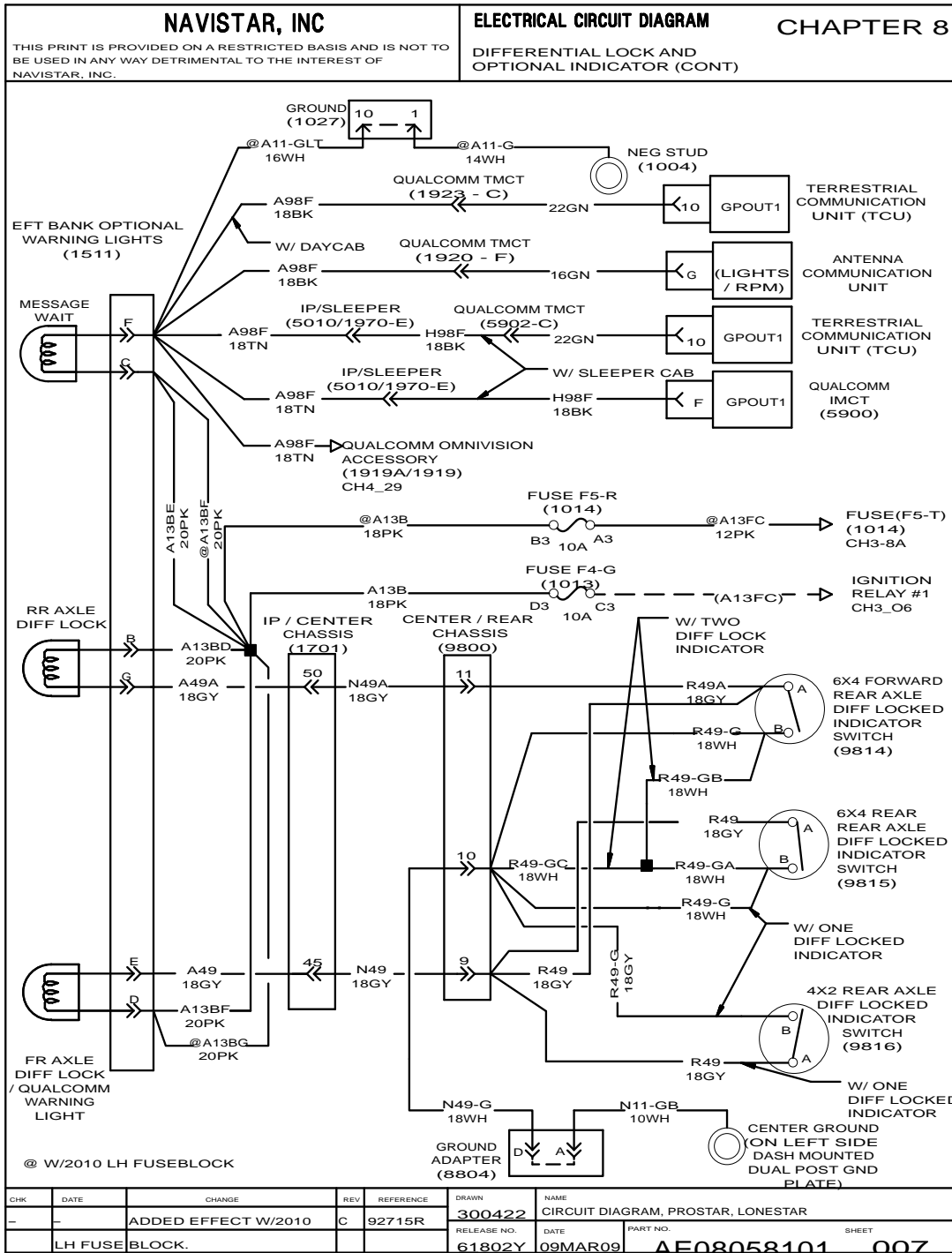


Figure 216 Differential Lock and Optional Indicator (Cont.)



8.9. DIFFERENTIAL LOCK AND OPTIONAL INDICATOR (CONT.), P. 8

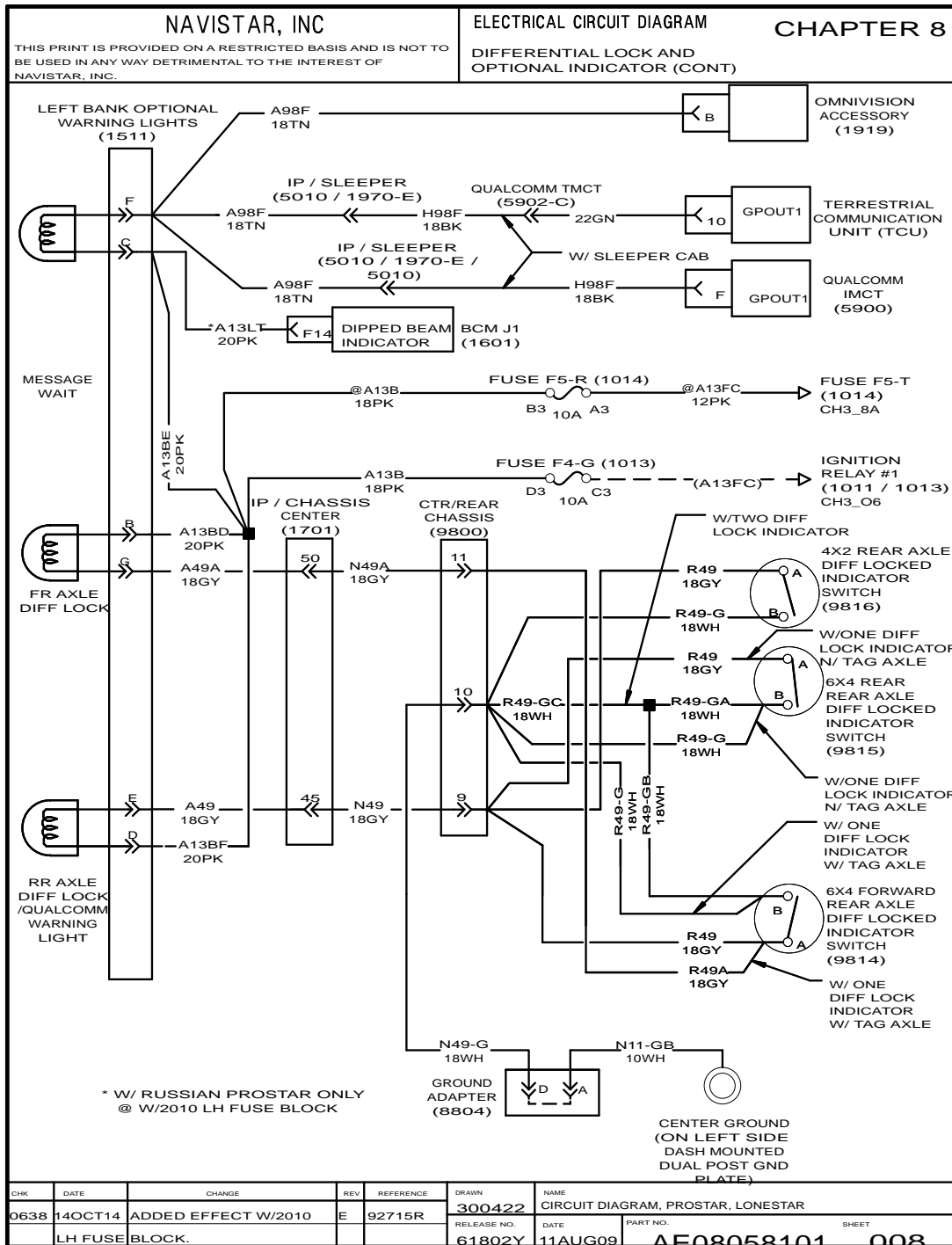


Figure 217 Differential Lock and Optional Indicator (Cont.)

8.10. IP / GAUGES, P. 9

<b>NAVISTAR, INC</b>		<b>ELECTRICAL CIRCUIT DIAGRAM</b>	
THIS PRINT IS PROVIDED ON A RESTRICTED BASIS AND IS NOT TO BE USED IN ANY WAY DETRIMENTAL TO THE INTEREST OF NAVISTAR, INC.		<b>CHAPTER 8</b>	
		<b>IP / GAUGES</b>	

INSTRUMENT PANEL GAUGE CLUSTER			
GAUGE	WARN LIGHT	SIGNAL PATH	SENSOR LOCATION
RPM (TACH)	NO	ENGINE CONT / DRIVE TRAIN J1939 / CLUSTER	ENGINE
MPH/KPH (SPD)	NO	ENGINE CONT / DRIVE TRAIN J1939 / CLUSTER	TRANSMISSION
FUEL	YES	BODY CONT / DRIVE TRAIN J1939 / CLUSTER	FUEL TANK
VOLT	YES	BODY CONT / DRIVE TRAIN J1939 / CLUSTER	-
AIR 1 (PRES)	YES	BODY CONT / DRIVE TRAIN J1939 / CLUSTER	DRIVER CONTROL MODULE
AIR 2 (PRES)	YES	BODY CONT / DRIVE TRAIN J1939 / CLUSTER	DRIVER CONTROL MODULE
WATER (TEMP)	YES	ENGINE CONT / DRIVE TRAIN J1939 / CLUSTER	ENGINE
ENG OIL (TEMP)	YES	ENGINE CONT / DRIVE TRAIN J1939 / CLUSTER	ENGINE
OIL (PRES)	YES	ENGINE CONT / DRIVE TRAIN J1939 / CLUSTER	ENGINE
TRANS (TEMP)	YES	BODY CONT / DRIVE TRAIN J1939 / CLUSTER	TRANSMISSION

SECONDARY GAUGE CLUSTER			
GAUGE	WARN LIGHT	SIGNAL PATH	SENSOR LOCATION
REAR RR AXLE OIL TEMP	YES	BODY CONT / DRIVE TRAIN J1939 / CLUSTER	REAR RR AXLE
FORWARD RR AXLE OIL TEMP	YES	BODY CONT / DRIVE TRAIN J1939 / CLUSTER	FORWARD RR AXLE
BOOST PRESSURE	NO	ENGINE CONT / DRIVE TRAIN J1939 / CLUSTER	ENGINE
AIR APPLICATION	NO	BODY CONT / DRIVE TRAIN J1939 / CLUSTER	DRIVER CONTROL MODULE

NOTES:  
1. WARNING LIGHTS ARE PART OF THE GAUGES AND LOCATED IN THE GAUGE CLUSTER

CHK	DATE	CHANGE	REV	REFERENCE	DRAWN	NAME
0486	30DEC11	TITLE WAS CIRCUIT	B	82357E	300422	CIRCUIT DIAGRAM, PROSTAR, LONESTAR
	DIAGRAM, PROSTAR.				RELEASE NO. 61802Y	DATE 09MAR09
					PART NO. AE08058101	SHEET 009

Figure 218 IP / Gauges

8.11. IP / GAUGES AND WARNING LIGHTS – GAUGE CLUSTER, P. 10

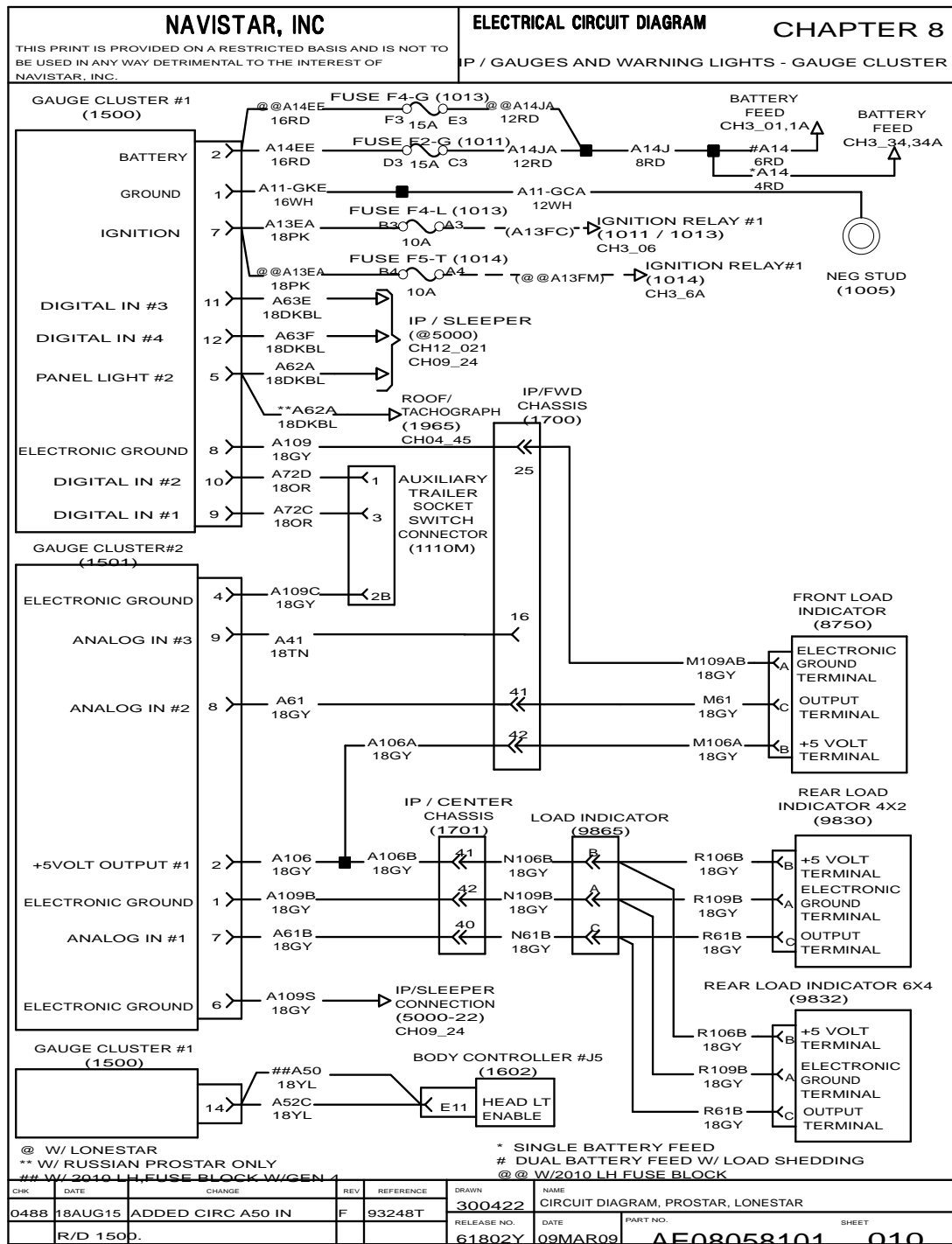


Figure 219 IP / Gauges and Warning Lights – Gauge Cluster

8.12. SECONDARY INSTRUMENT CLUSTER, P. 11

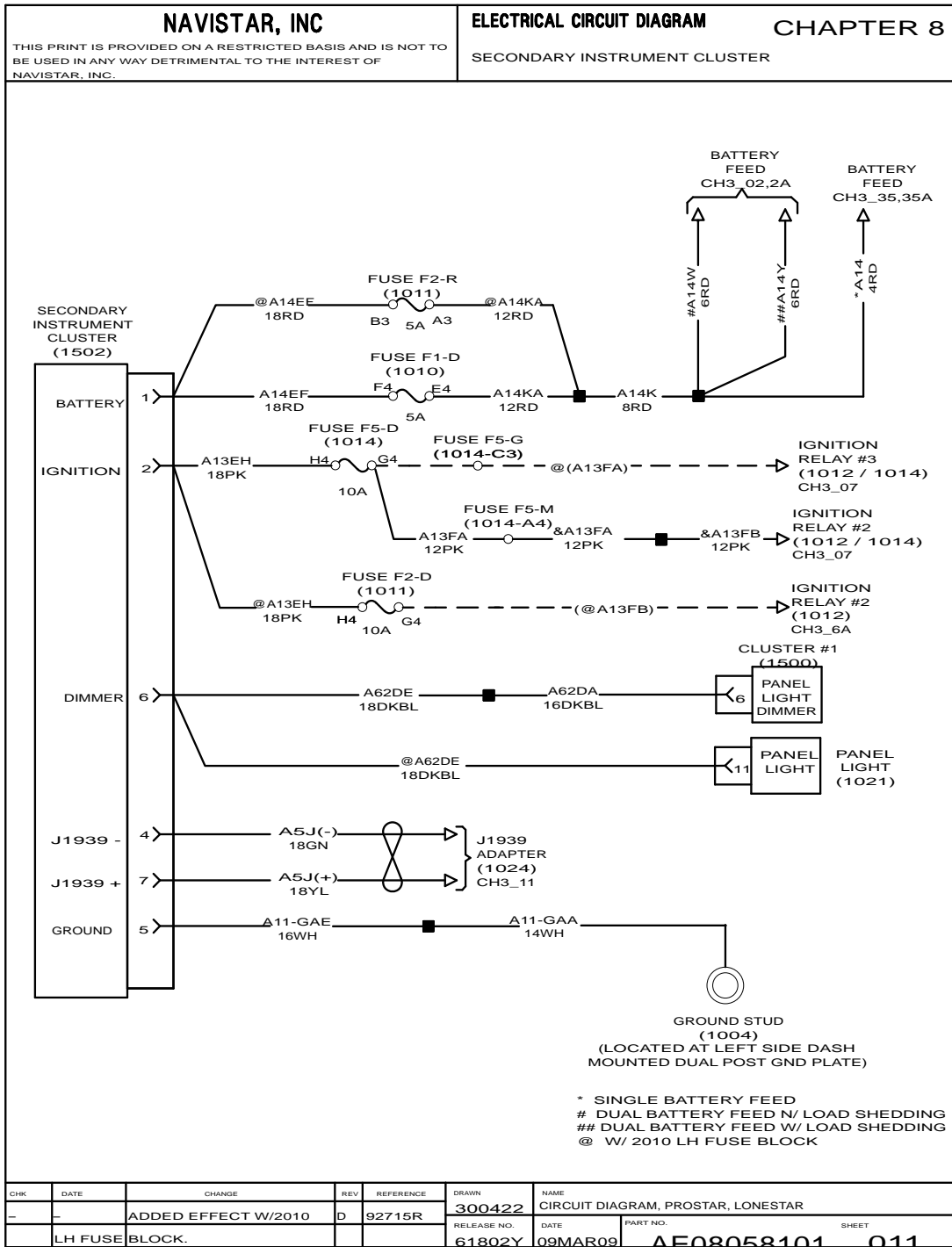


Figure 220 Secondary Instrument Cluster

8.13. PARKING WARNING LIGHT, P. 12

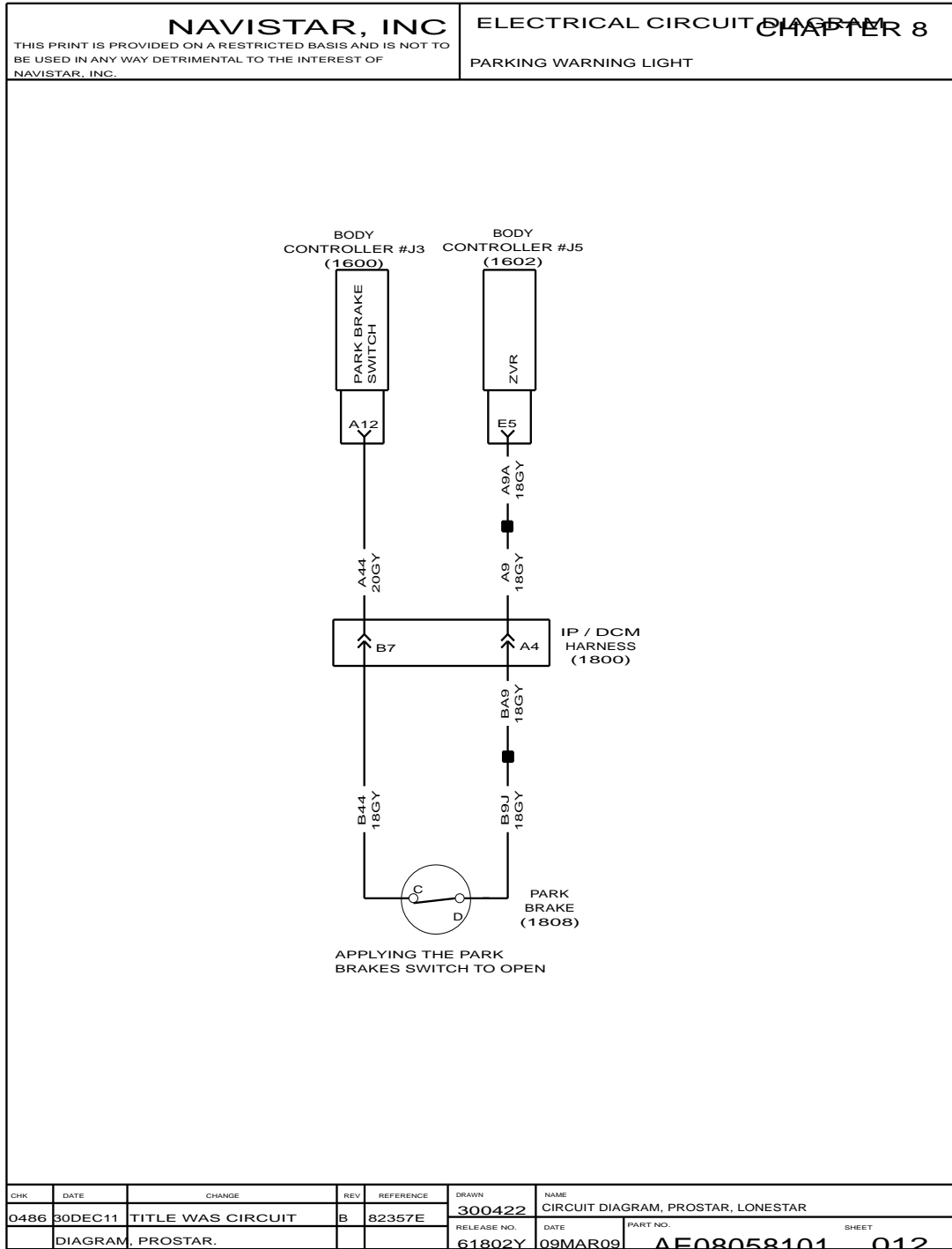


Figure 221 Parking Warning Light

8.14. WARNING LIGHTS, P. 13

<b>NAVISTAR, INC</b>				<b>ELECTRICAL CIRCUIT DIAGRAM</b>			
THIS PRINT IS PROVIDED ON A RESTRICTED BASIS AND IS NOT TO BE USED IN ANY WAY DETRIMENTAL TO THE INTEREST OF NAVISTAR, INC.				<b>CHAPTER 8</b>			
				WARNING LIGHTS			
<b>IP WARNING LIGHTS</b>							
WARNING LIGHT	REPRESENTATION	COLOR	SIGNAL PATH				
RANGE INHIBITED	RANGE INHIBITED	YELLOW	TCM / J1939 / CLUSTER				
PROTECT	[ICON]	YELLOW	SAE DIAGNOSTIC LAMP				
RETARD OVER HEAT	RETARD OVERHEAT	YELLOW	STATUS TRANSMITTED IN J1939 PROPRIETARY MESSAGE FROM BODY CONTROLLER				
AMBER WARN (AWL)	[YIELD ICON]	YELLOW	STATUS TRANSMITTED IN J1939 MESSAGE FROM ANY MODULE SAE DIAGNOSTIC LAMP				
RED STOP (RSL)	[STOP ICON]	RED	STATUS TRANSMITTED IN J1939 MESSAGE FROM ANY MODULE SAE DIAGNOSTIC LAMP				
BRAKE PRESSURE	BRAKE PRESSURE [BRAKE ICON]	RED	STATUS TRANSMITTED IN J1939 PROPRIETARY MESSAGE FROM BODY CONTROLLER				
PARK BRAKE	PARK [ICON]	RED	STATUS TRANSMITTED IN J1939 PROPRIETARY MESSAGE FROM BODY CONTROLLER				
EMERGENCY EXIT	EMERG EXIT	RED	STATUS TRANSMITTED IN J1939 PROPRIETARY MESSAGE FROM BODY CONTROLLER				
LIFT DOOR	LIFT DOOR	YELLOW	STATUS TRANSMITTED IN J1939 PROPRIETARY MESSAGE FROM BODY CONTROLLER				
TRAILER ABS	ABS [TRAILER ICON]	YELLOW	STATUS TRANSMITTED IN J1939 MESSAGE FROM ABS				
WAIT TO START	WAIT TO START	YELLOW	STATUS TRANSMITTED IN J1939 PROPRIETARY MESSAGE FROM BODY CONTROLLER				
TRACTION CONTROL	TRAC CTRL	YELLOW	STATUS TRANSMITTED IN J1939 MESSAGE FROM ABS				
IDLE SHUTDOWN	IDLE SHUTDOWN	YELLOW	STATUS TRANSMITTED IN J1939 MESSAGE FROM ECM				
MALFUNCTION (MIL)	[ICON]	YELLOW	SAE DIAGNOSTIC LAMP				
PTO ENGAGED INDICATOR	PTO	YELLOW	STATUS TRANSMITTED IN J1939 PROPRIETARY MESSAGE FROM BODY CONTROLLER				
SERVICE PARK	SERVICE [ICON]	RED	STATUS TRANSMITTED IN J1939 PROPRIETARY MESSAGE FROM BODY CONTROLLER				
SEAT BELT	FASTEN BELTS	RED	STATUS TRANSMITTED IN J1939 PROPRIETARY MESSAGE FROM BODY CONTROLLER				
BRAKE FLUID	BRAKE FLUID [ICON]	RED	BODY CONT / J1939 / CLUSTER				
RED FLASHER	RED FLASHER	RED	STATUS TRANSMITTED IN J1939 PROPRIETARY MESSAGE FROM BODY CONTROLLER				
AMBER FLASHER	AMBER FLASHER	YELLOW	STATUS TRANSMITTED IN J1939 PROPRIETARY MESSAGE FROM BODY CONTROLLER				
ANTILOCK BRAKING SYSTEM	[ABS ICON]	YELLOW	STATUS TRANSMITTED IN J1939 MESSAGE FROM ABS				
ECONOMY MODE	ECON	YELLOW	STATUS TRANSMITTED IN J1939 MESSAGE FROM TCM				
LEFT TURN	[ARROW ICON]	GREEN	STATUS TRANSMITTED IN J1939 PROPRIETARY MESSAGE FROM BODY CONTROLLER				
HIGH BEAM	[ICON]	BLUE	STATUS TRANSMITTED IN J1939 PROPRIETARY MESSAGE FROM BODY CONTROLLER				
RIGHT TURN	[ARROW ICON]	GREEN	STATUS TRANSMITTED IN J1939 PROPRIETARY MESSAGE FROM BODY CONTROLLER				
CHK	DATE	CHANGE	REV	REFERENCE	DRAWN	NAME	
-	-	TITLE WAS CIRCUIT	B	82357E	300422	CIRCUIT DIAGRAM, PROSTAR, LONESTAR	
		DIAGRAM, PROSTAR.			RELEASE NO.	DATE	PART NO.
					61802Y	09MAR09	AE08058101 013

Figure 222 Warning Lights

**8.15. IP TEXT MESSAGES AND WARNING LIGHTS – CONTROLLED BY ENGINE, TRANSMISSION AND ANTILOCK BRAKING SYSTEM CONTROLLER, P. 14**

<b>NAVISTAR, INC</b>				<b>ELECTRICAL CIRCUIT DIAGRAM CHAPTER 8</b>				
THIS PRINT IS PROVIDED ON A RESTRICTED BASIS AND IS NOT TO BE USED IN ANY WAY DETRIMENTAL TO THE INTEREST OF NAVISTAR, INC.				IP TEXT MESSAGES & WARNING LIGHTS - CONTROLLED BY ENGINE, XMSN AND ABS CONTROLLER				
<p>IP TEXT MESSAGES :</p> <p>LOAD SHEDDING</p> <p>WASHER FLUID LOW</p> <p>ELECTRICAL FAULT</p> <p>CHECK A / C</p> <p>AIR FILTER RESTRICTION</p> <p>EXTERIOR LAMP CHECK ACTIVE</p> <p>HVAC TEMP SETTING</p> <p>ACTIVATE HVAC FRONT BLOWER</p> <p>HVAC SLEEPER BLOWER SPEED</p> <p>AIR PRESSURE DIAGNOSTIC</p> <p>CRUISE</p> <p>FUEL FILTER</p> <p>THE FOLLOWING WARNING LIGHTS ARE CONTROLLED BY THE ENGINE, TRANSMISSION, OR ABS CONTROLLER OVER THE DATA BUS AND DO NOT HAVE INDEPENDENT CIRCUITRY THAT CAN BE OR NEEDS TO BE SHOWN:</p> <p>RANGE INHIBITED</p> <p>ECONOMY MODE</p> <p>TRAC CTRL</p> <p>TRAILER ABS</p> <p>ABS</p>								
CHK	DATE	CHANGE	REV	REFERENCE	DRAWN	NAME		
0486	30DEC11	TITLE WAS CIRCUIT	B	82357E	300422	CIRCUIT DIAGRAM, PROSTAR, LONESTAR		
					RELEASE NO.	DATE	PART NO.	SHEET
					61802Y	09MAR09	AE08058101	014

**Figure 223 IP Text Messages and Warning Lights – Controlled by Engine, Transmission and Antilock Braking System Controller**

# LIGHTING SYSTEM (CHAPTER 9)

## 9.1. LIGHTS – STOP, TAIL, TURN AND BACK-UP NOT WITH FREEDOMLINE, P. 1

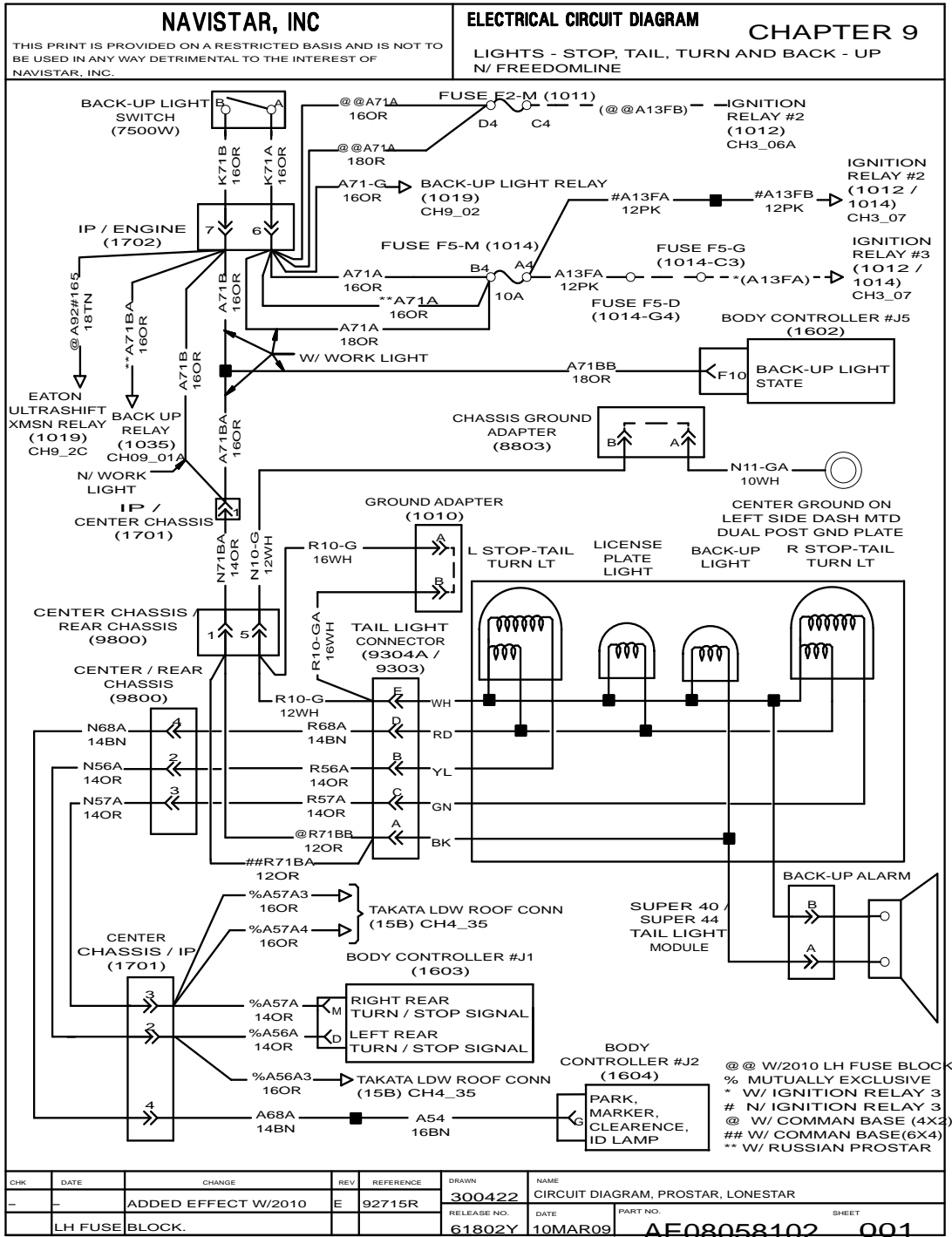


Figure 224 Lights – Stop, Tail, Turn and Back-Up not with Freedomline



9.2. LIGHTS – STOP, TAIL, TURN AND BACK-UP WITH FREEDOMLINE, P. 2

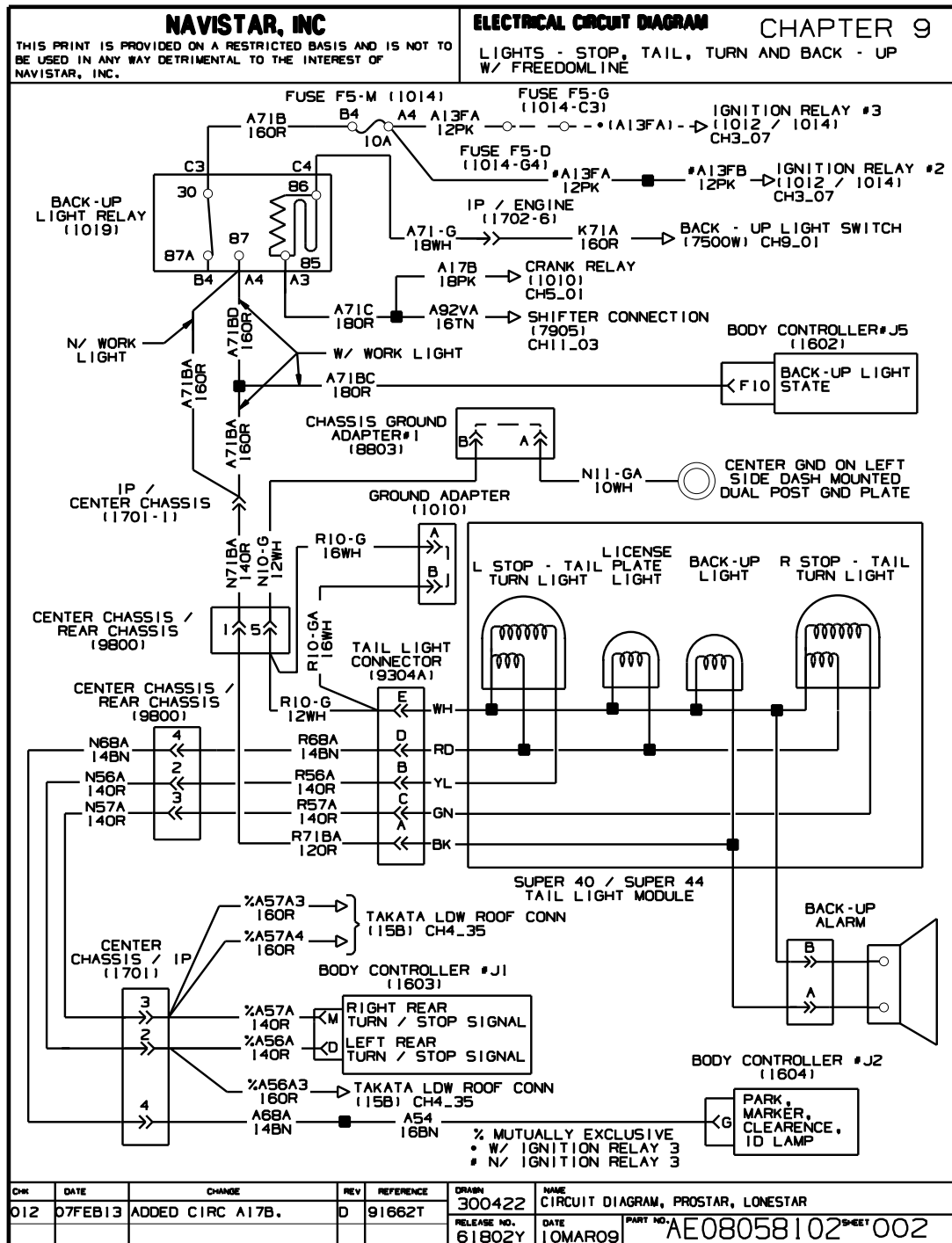


Figure 225 Lights – Stop, Tail, Turn and Back-Up with Freedomline

9.3. LIGHTS – STOP, TAIL, TURN AND BACK-UP (6 X 4), P. 2A

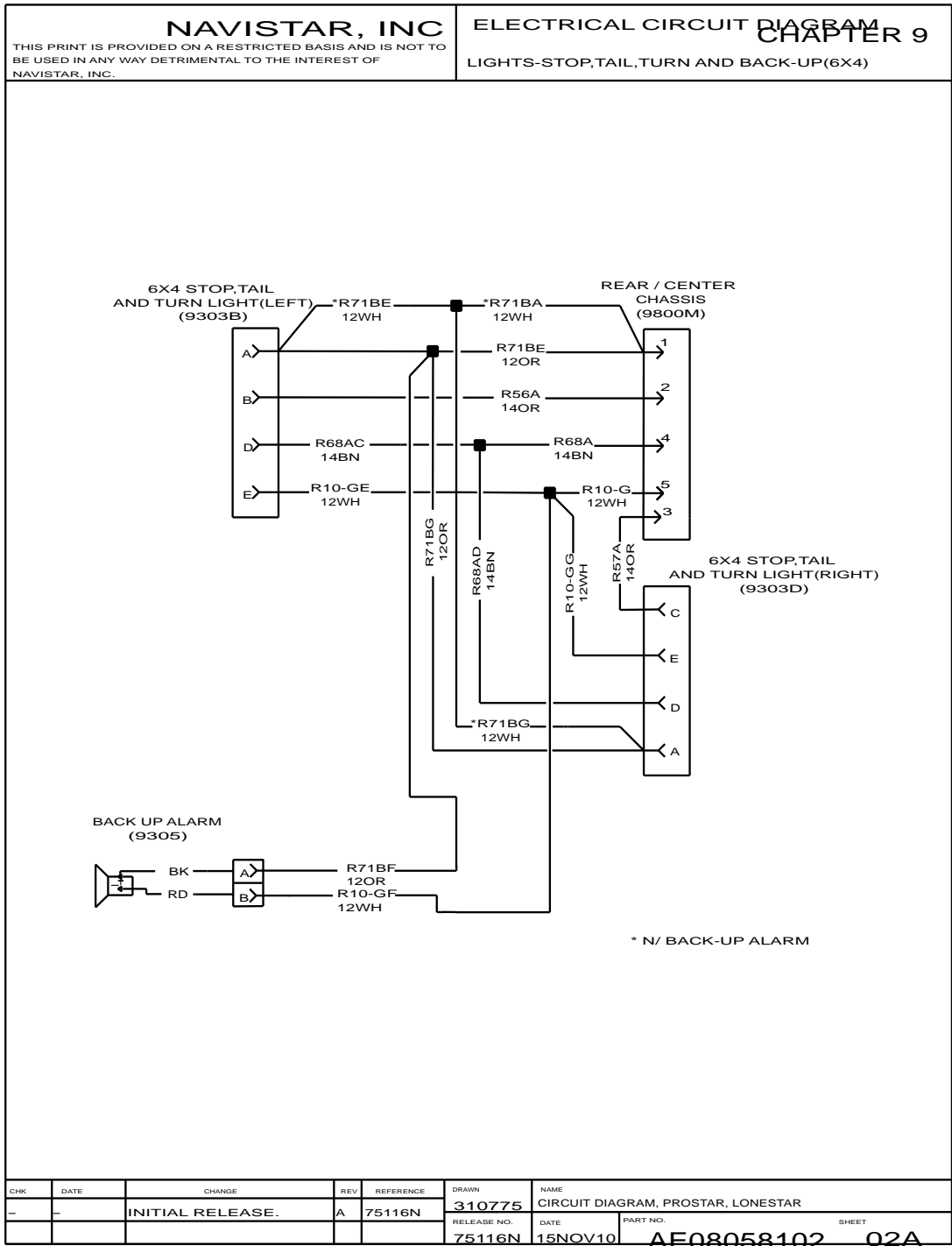


Figure 226 Lights – Stop, Tail, Turn and Back-Up (6 X 4)

9.4. LIGHTS – STOP, TAIL, TURN AND BACK-UP (4 X 2), P. 2B

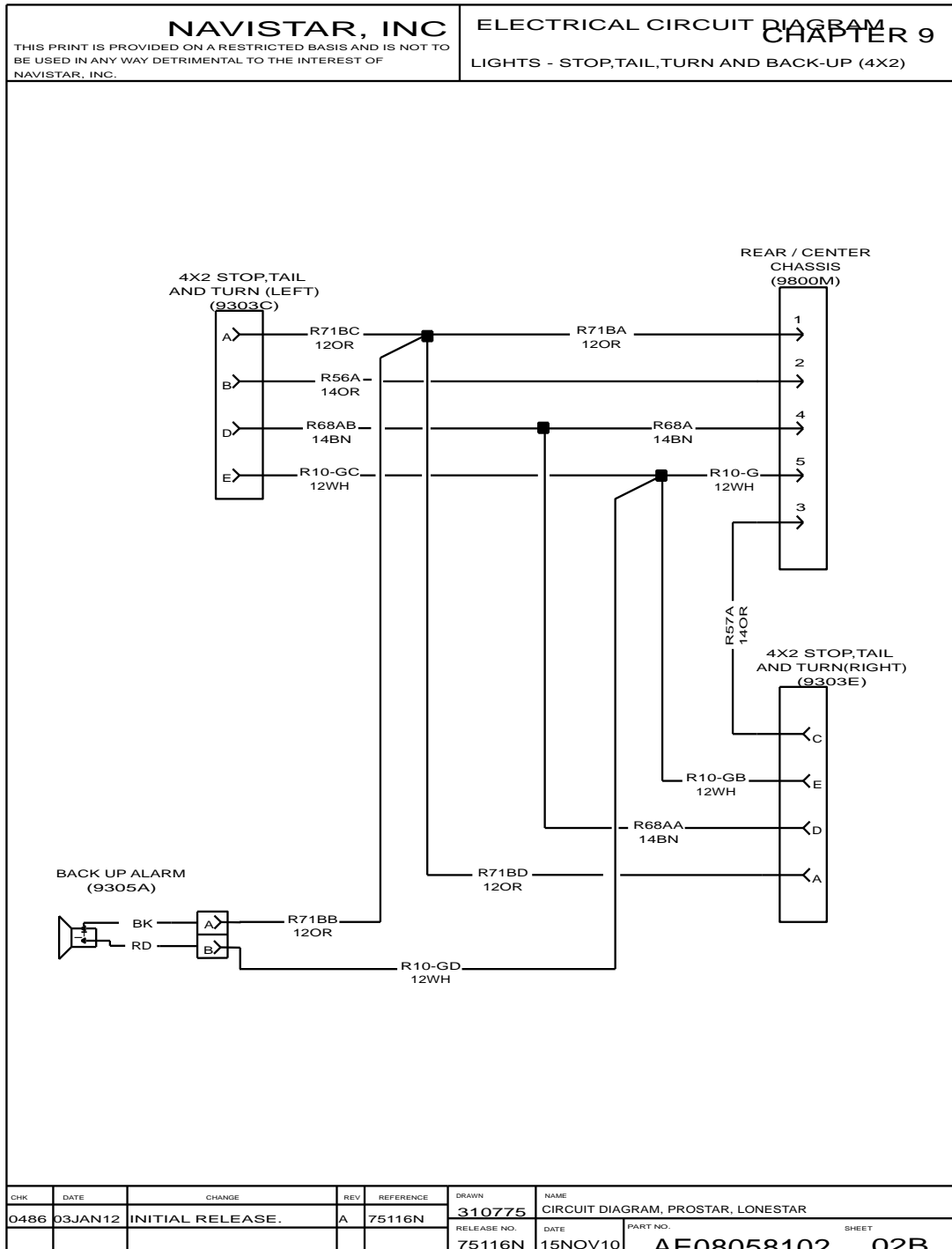


Figure 227 Lights – Stop, Tail, Turn and Back-Up (4 X 2)

9.5. STOP, TAIL, TURN AND BACK-UP WITH FREEDOMLINE LIGHTS, P. 2C

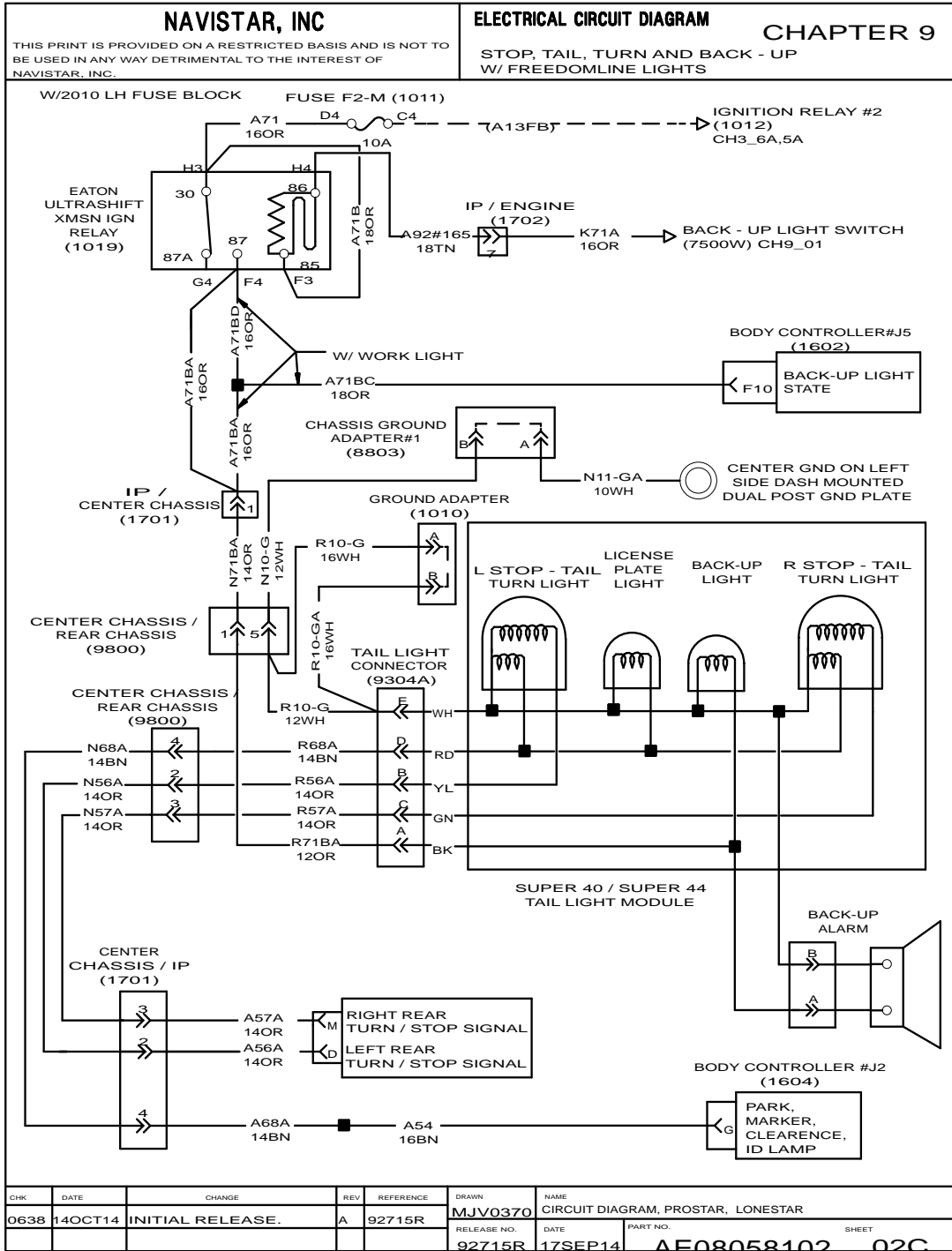


Figure 228 Stop, Tail, Turn and Back-up with FreedomLine Lights

9.6. DOME / MAP AND COURTESY LIGHTS – DAY CAB, P. 3

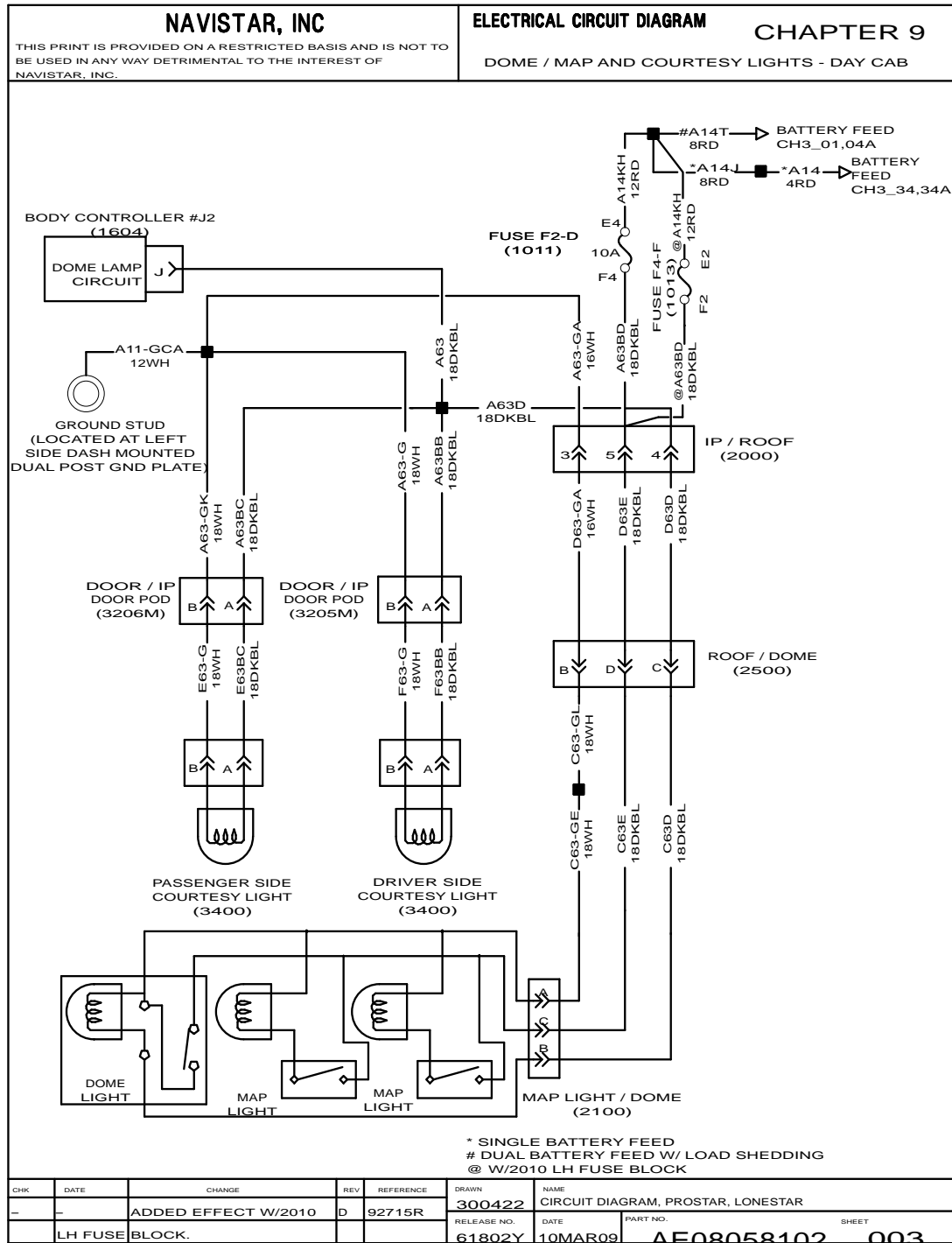


Figure 229 Dome / Map and Courtesy Lights – Day Cab

9.7. DOME / MAP (BENDIX FUSION), P. 3A

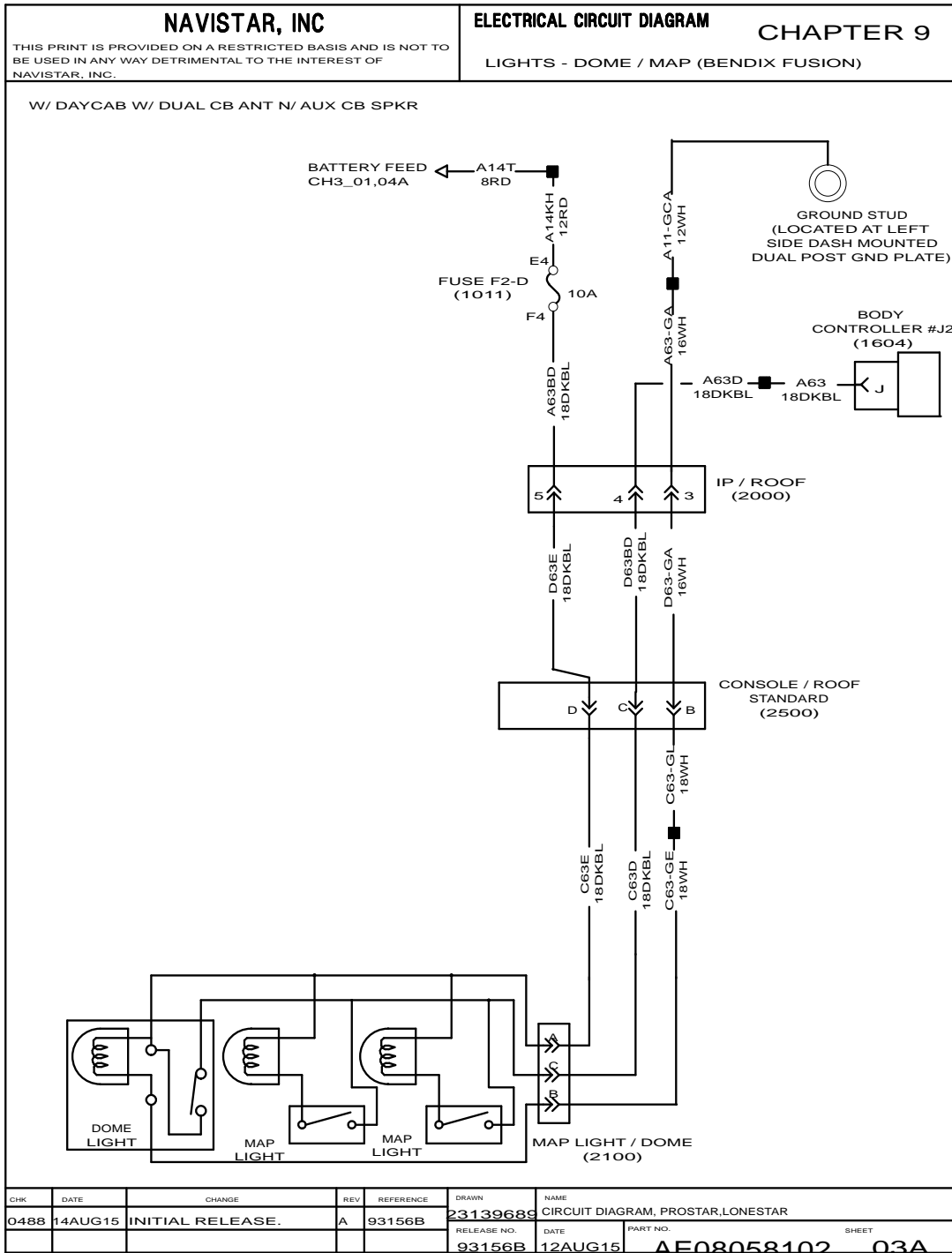


Figure 230 Dome / Map (Bendix Fusion)

9.8. DOME / MAP AND COURTESY LIGHTS – SLEEPER, P. 4

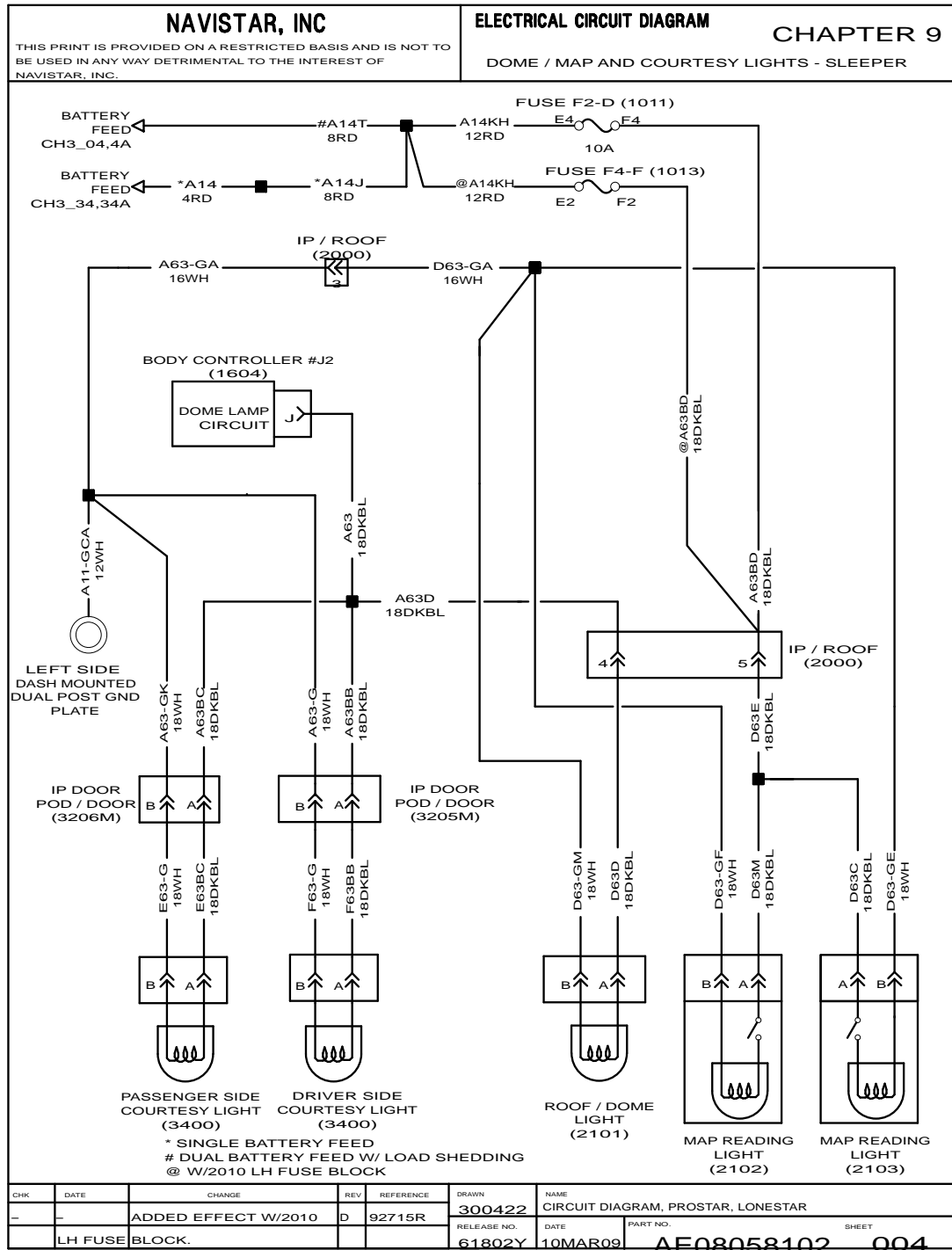


Figure 231 Dome / Map and Courtesy Lights – Sleeper

9.9. FOG LIGHTS AND SPOT LIGHT, P. 5

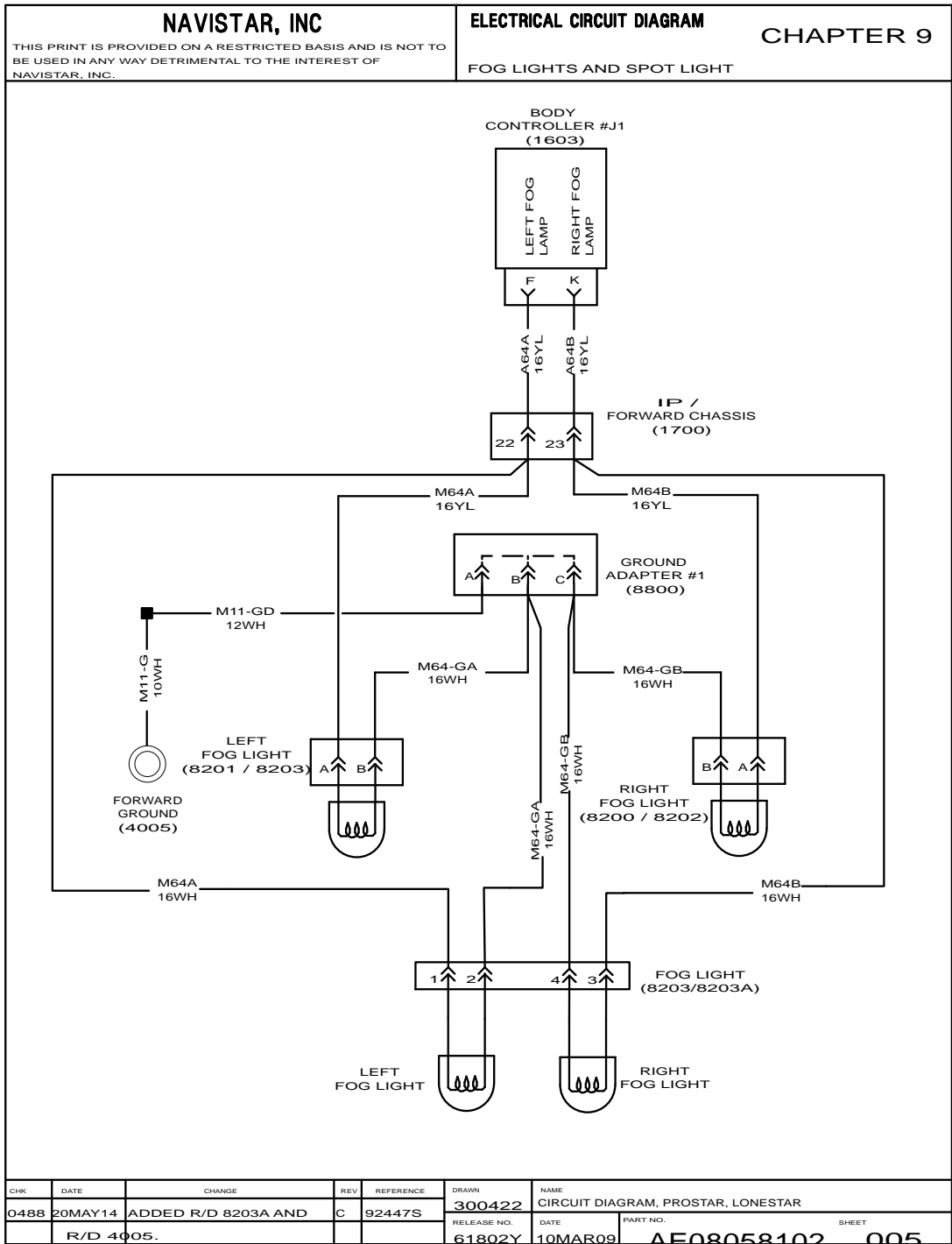


Figure 232 Fog Lights and Spot Light



9.10. HEADLIGHTS, P. 6

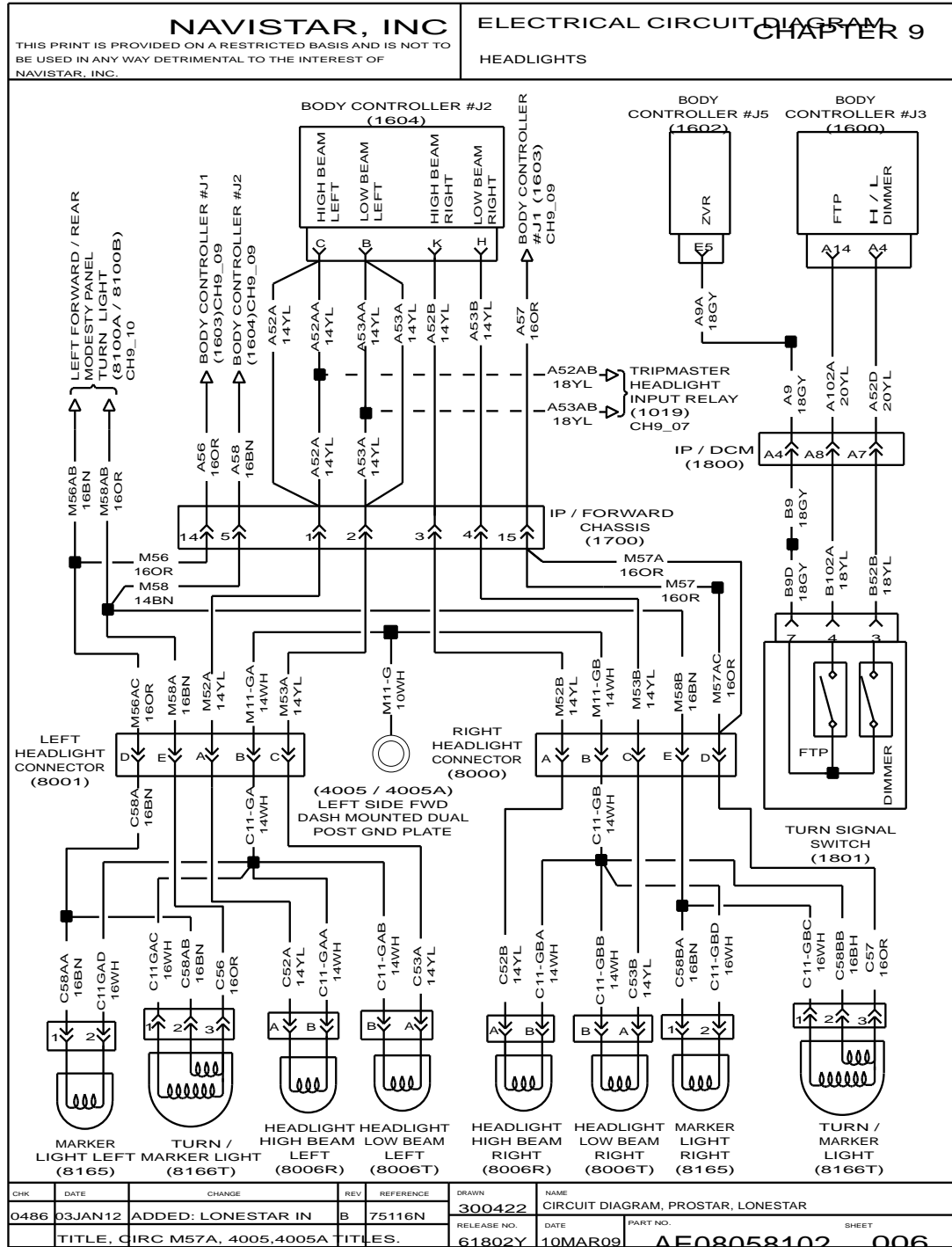


Figure 233 Headlights

9.11. HEADLIGHTS (CONT.), P. 6A

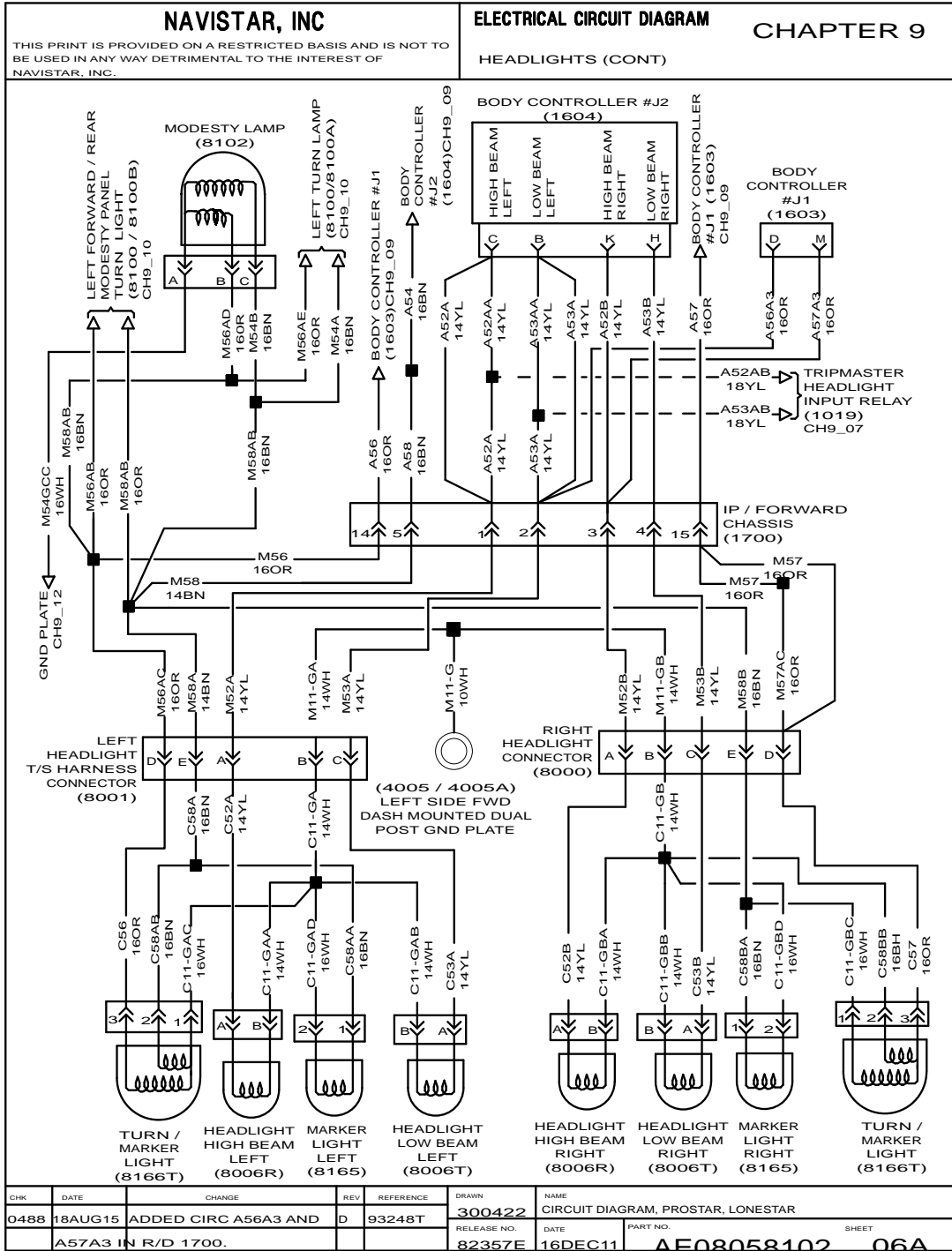


Figure 234 Headlights (Cont.)

9.12. TRIPMASTER, P. 7

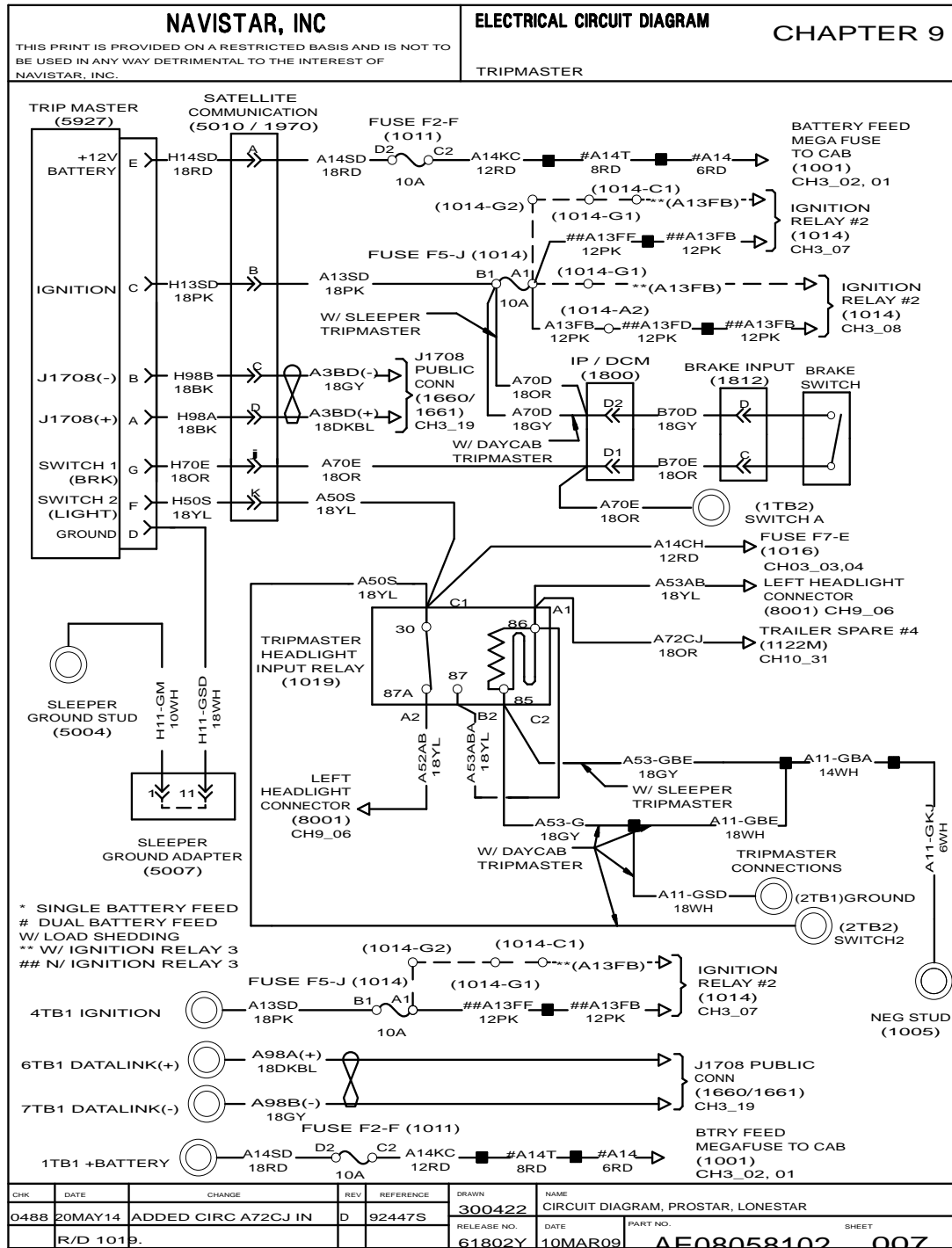


Figure 235 Tripmaster

9.13. TRIPMASTER (CONT.), P. 7A

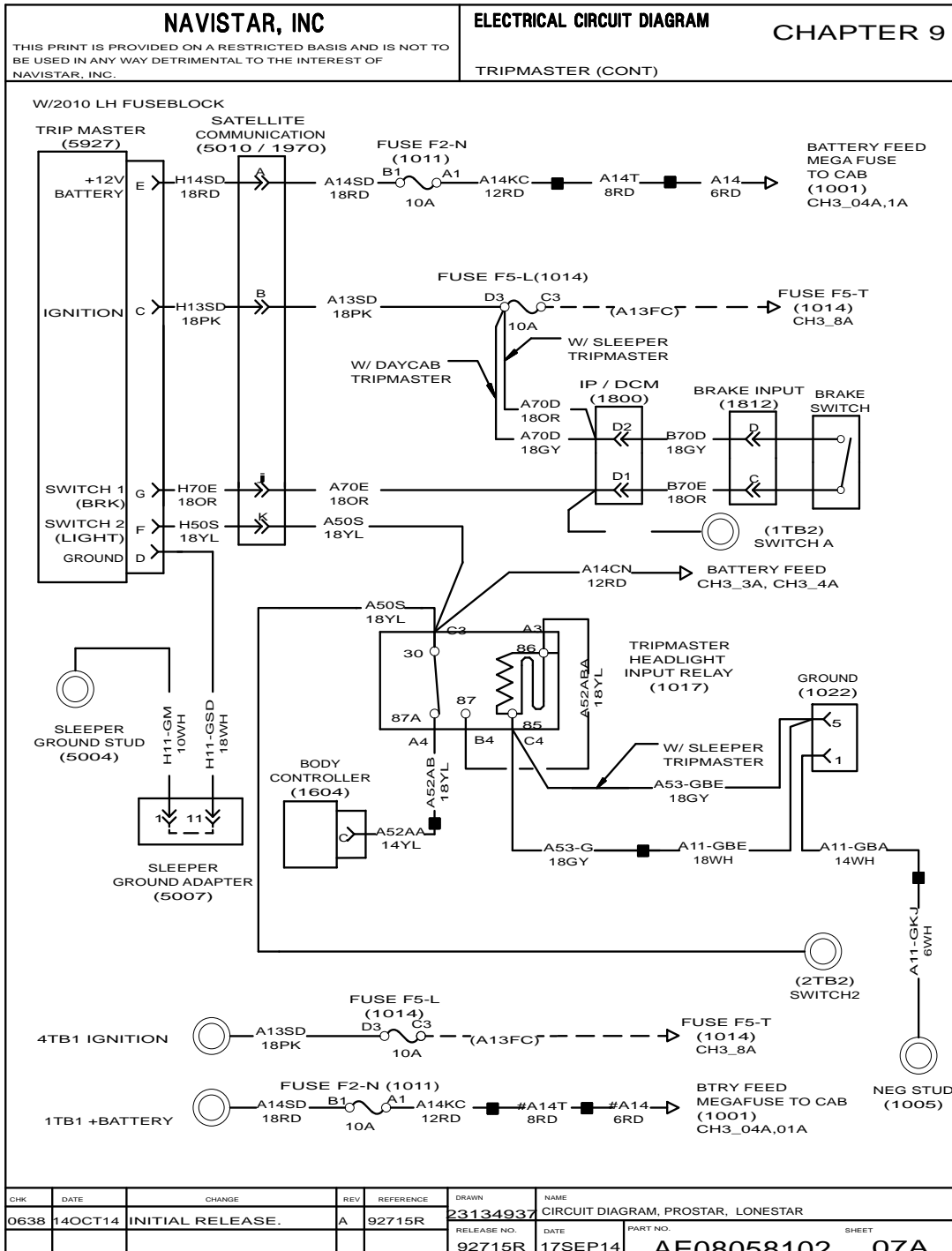


Figure 236 Tripmaster (Cont.)

9.14. TURN AND STOP SWITCH, P. 8

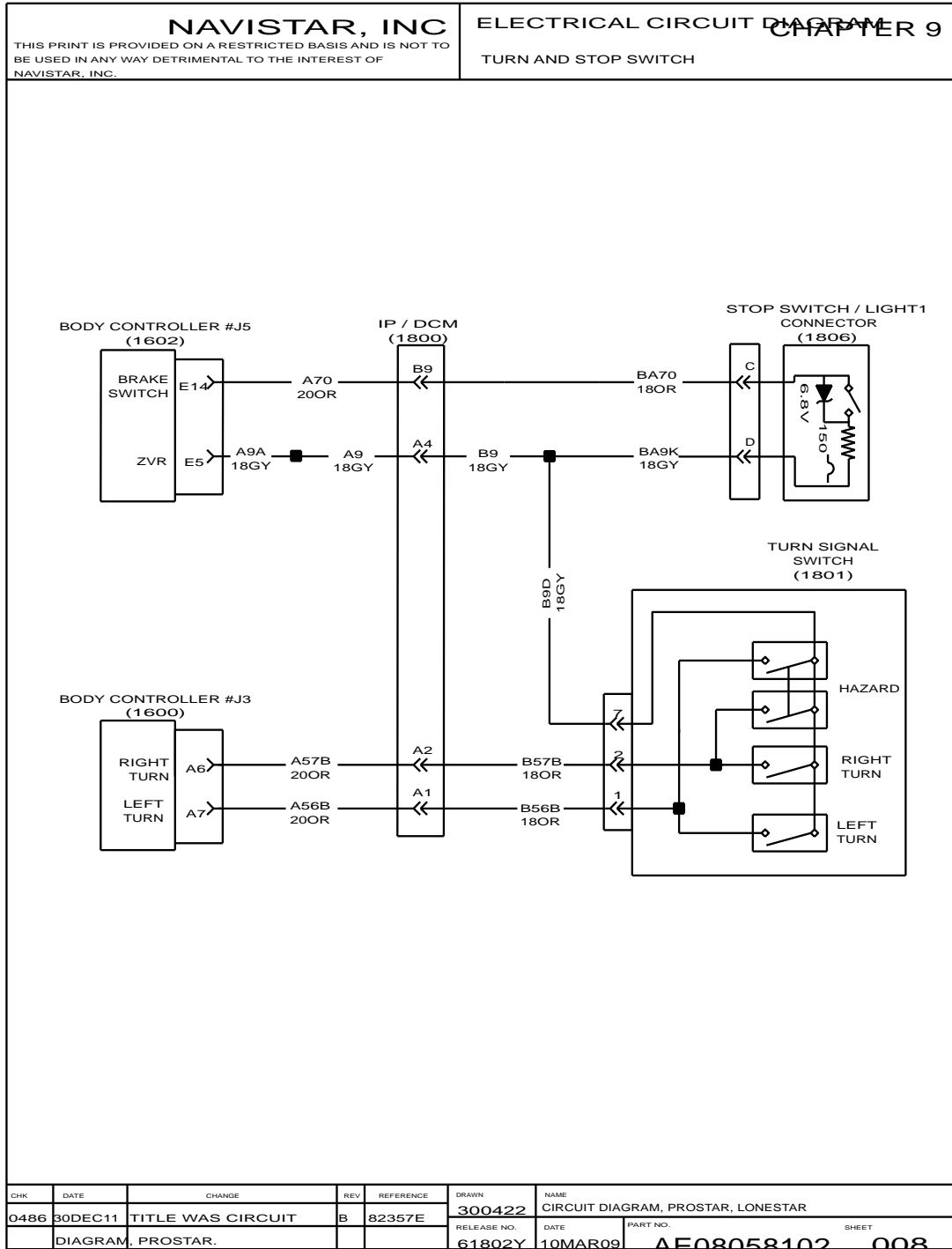


Figure 237 Turn and Stop Switch

9.15. LIGHT SYSTEM – PARK, MARKER, CLEARANCE, ID, TURN, STOP, TAIL, P. 9

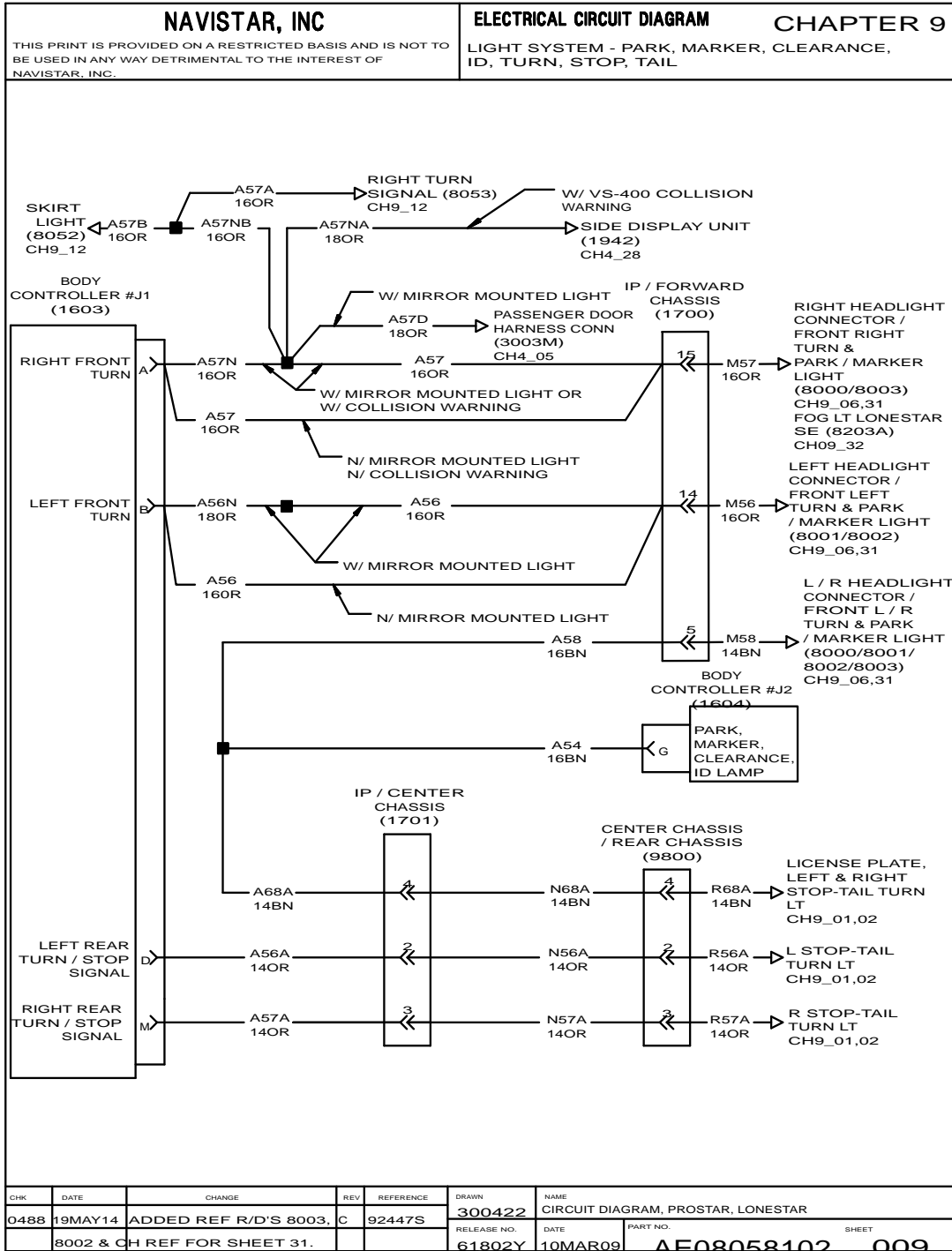


Figure 238 Light System – Park, Marker, Clearance, ID, Turn, Stop, Tail

9.16. ECE TAIL LIGHTS, P. 9A

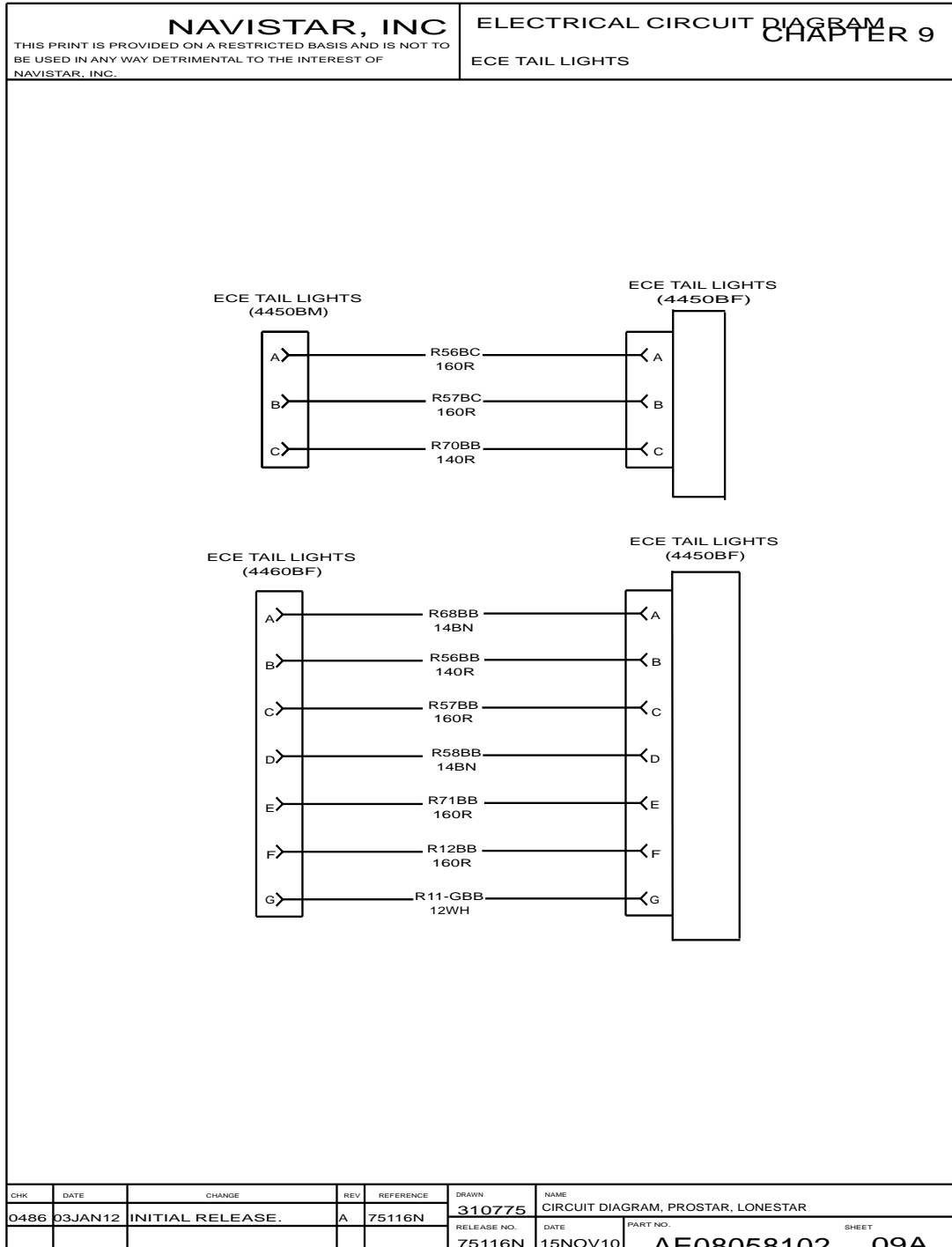


Figure 239 ECE Tail Lights

9.17. BODY BUILDER AND ECE TAIL LIGHT CONNECTION, P. 9B

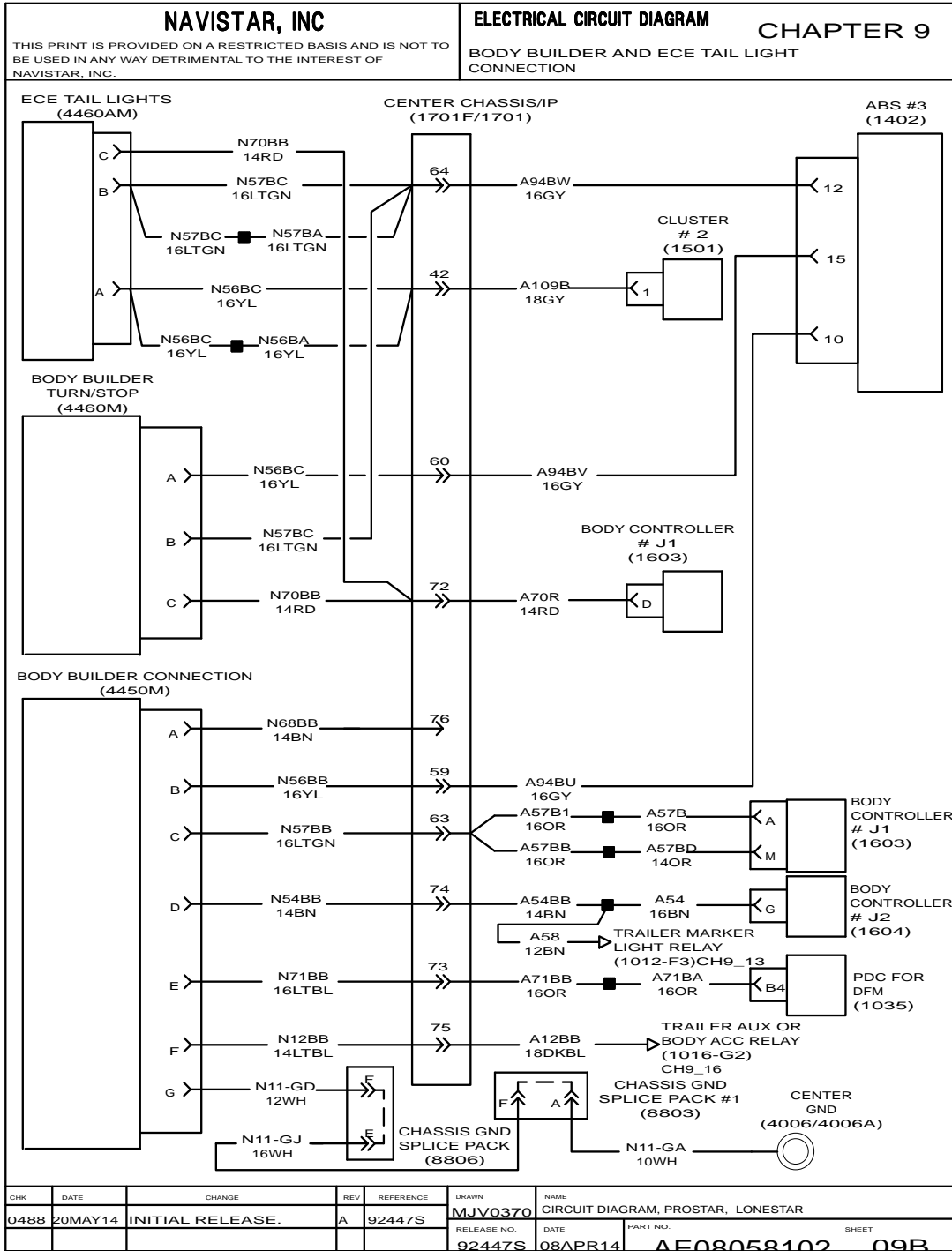


Figure 240 Body Builder and ECE Tail Light Connection



9.18. LIGHT SYSTEM – PARK, MARKER, FRONT – TURN AND MODESTY PANEL LIGHT, P. 10

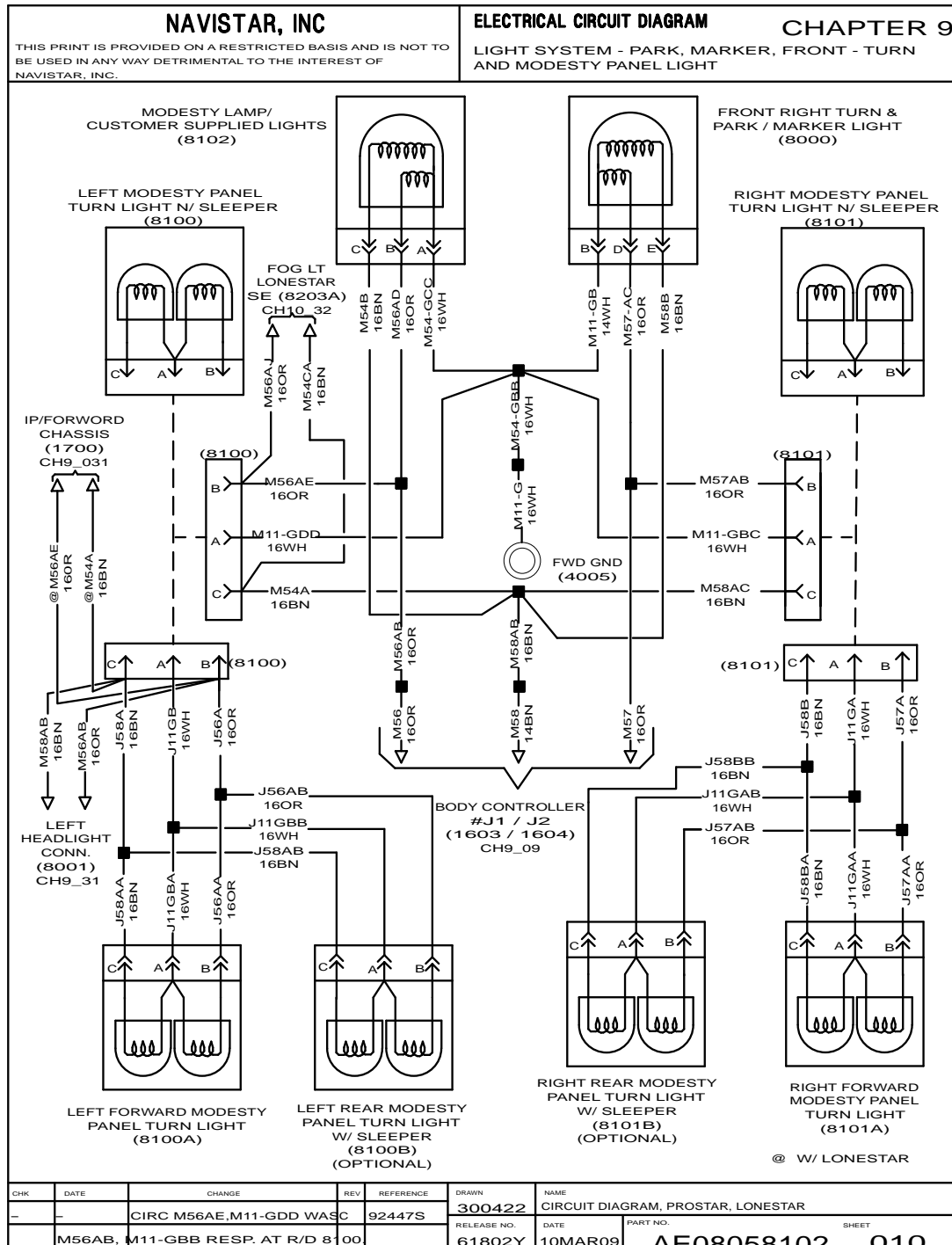


Figure 241 Light System – Park, Marker, Front – Turn and Modesty Panel Light

9.19. LIGHT SYSTEM – PARK, MARKER, FRONT – TURN AND MODESTY PANEL LIGHT, P. 10A

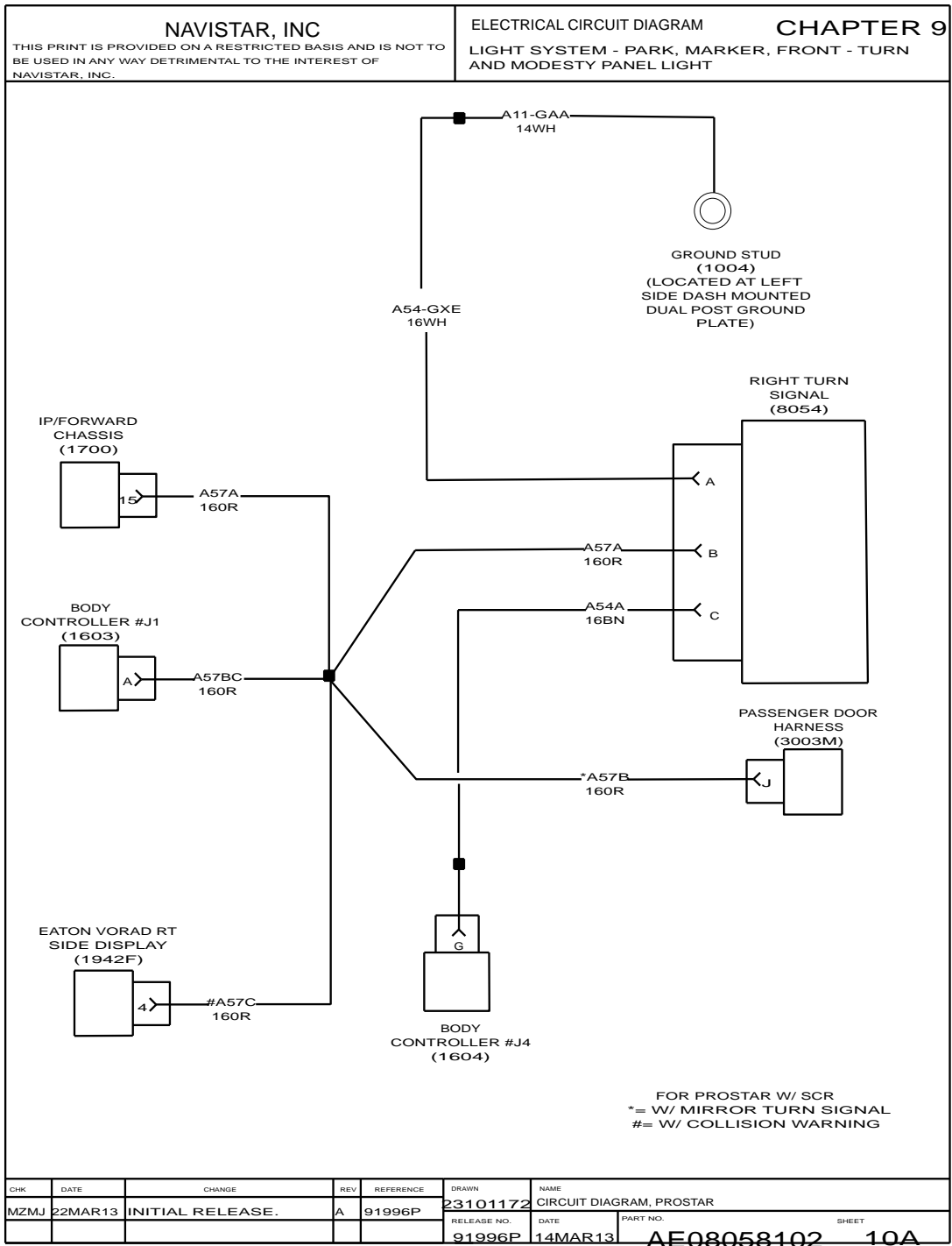


Figure 242 Light System – Park, Marker, Front – Turn and Modesty Panel Light

9.20. LIGHT SYSTEM – CLEARANCE, ID, P. 11

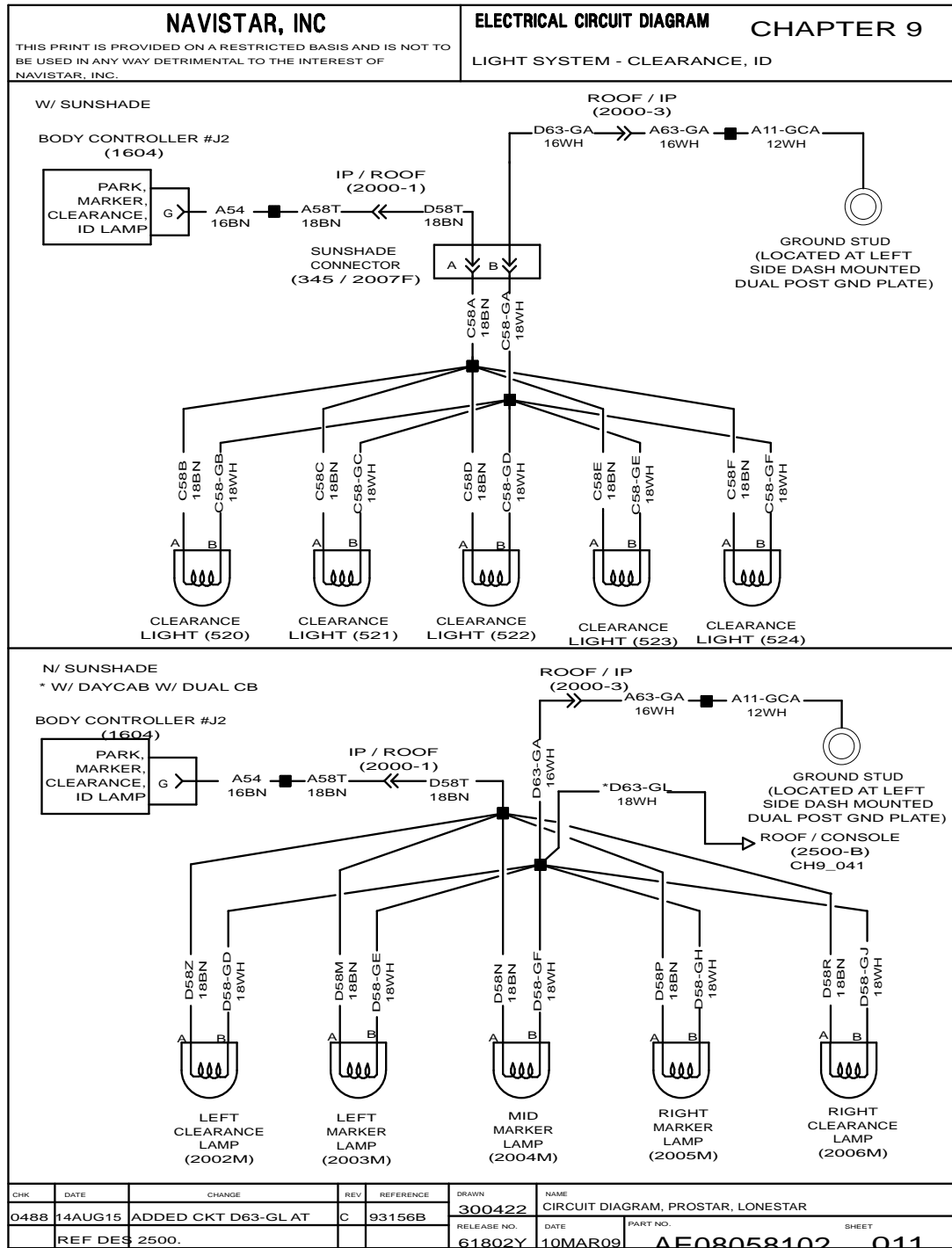


Figure 243 Light System – Clearance, ID

9.21. LIGHT SYSTEM – SKIRT LIGHT, P. 12

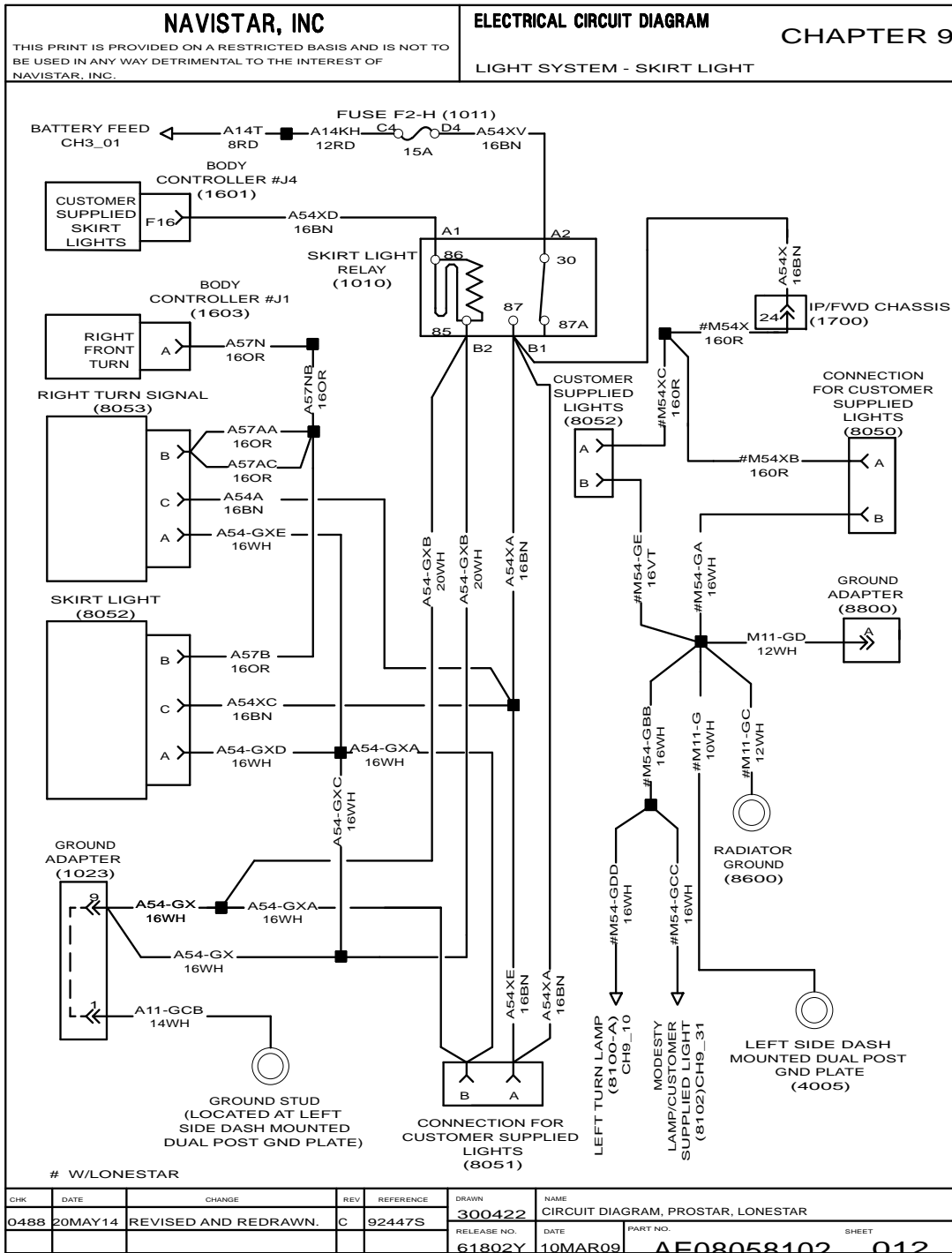


Figure 244 Light System – Skirt Light

9.22. LIGHT SYSTEM – SKIRT LIGHT (CONT.), P. 12A

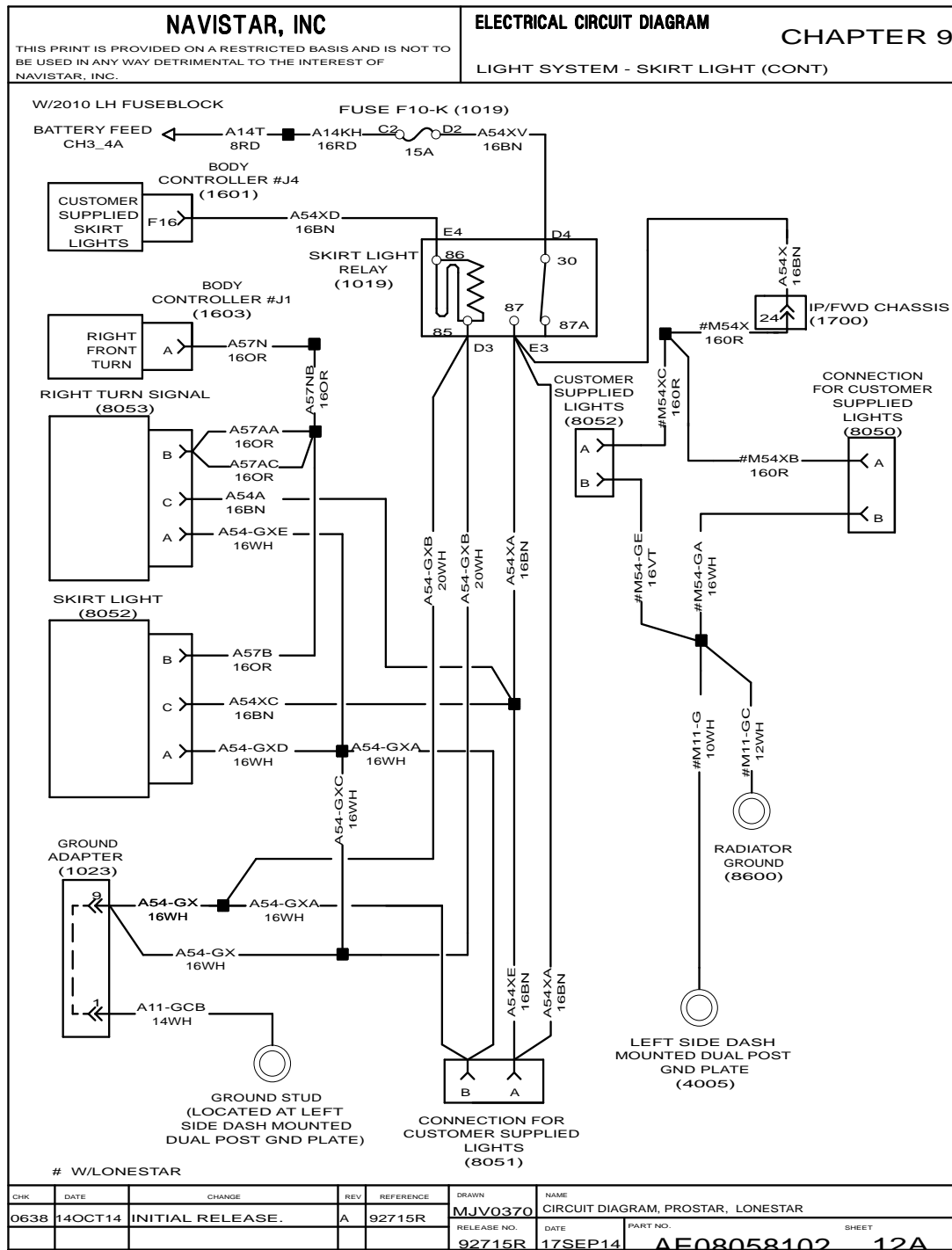


Figure 245 Light System – Skirt Light (Cont.)

9.23. TRAILER LIGHT SYSTEM – MARKER, STOP, TAIL, TURN, P. 13

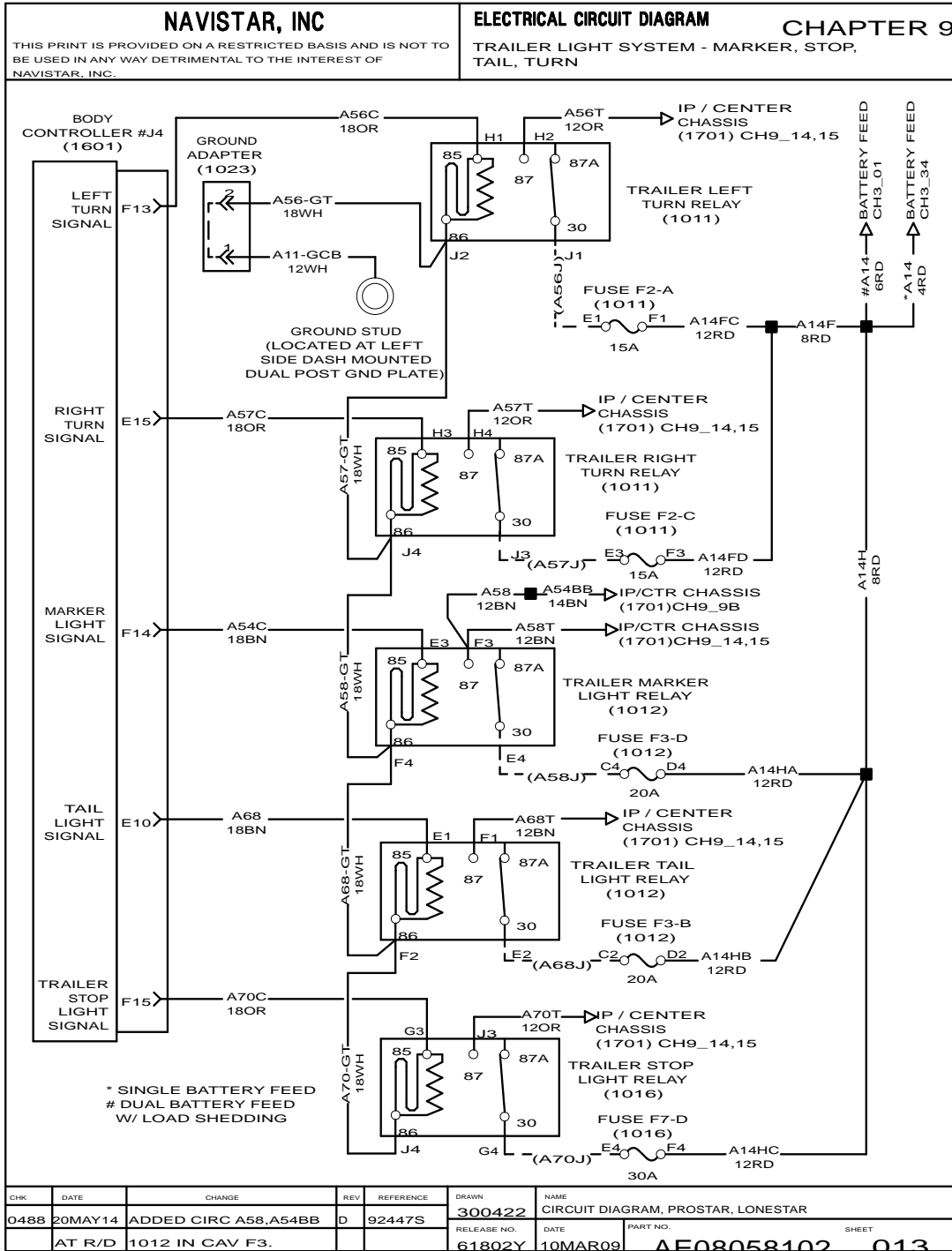


Figure 246 Trailer Light System – Marker, Stop, Tail, Turn

9.24. TRAILER LIGHT SYSTEM – MARKER, STOP, TAIL, TURN (CONT.), P. 13A

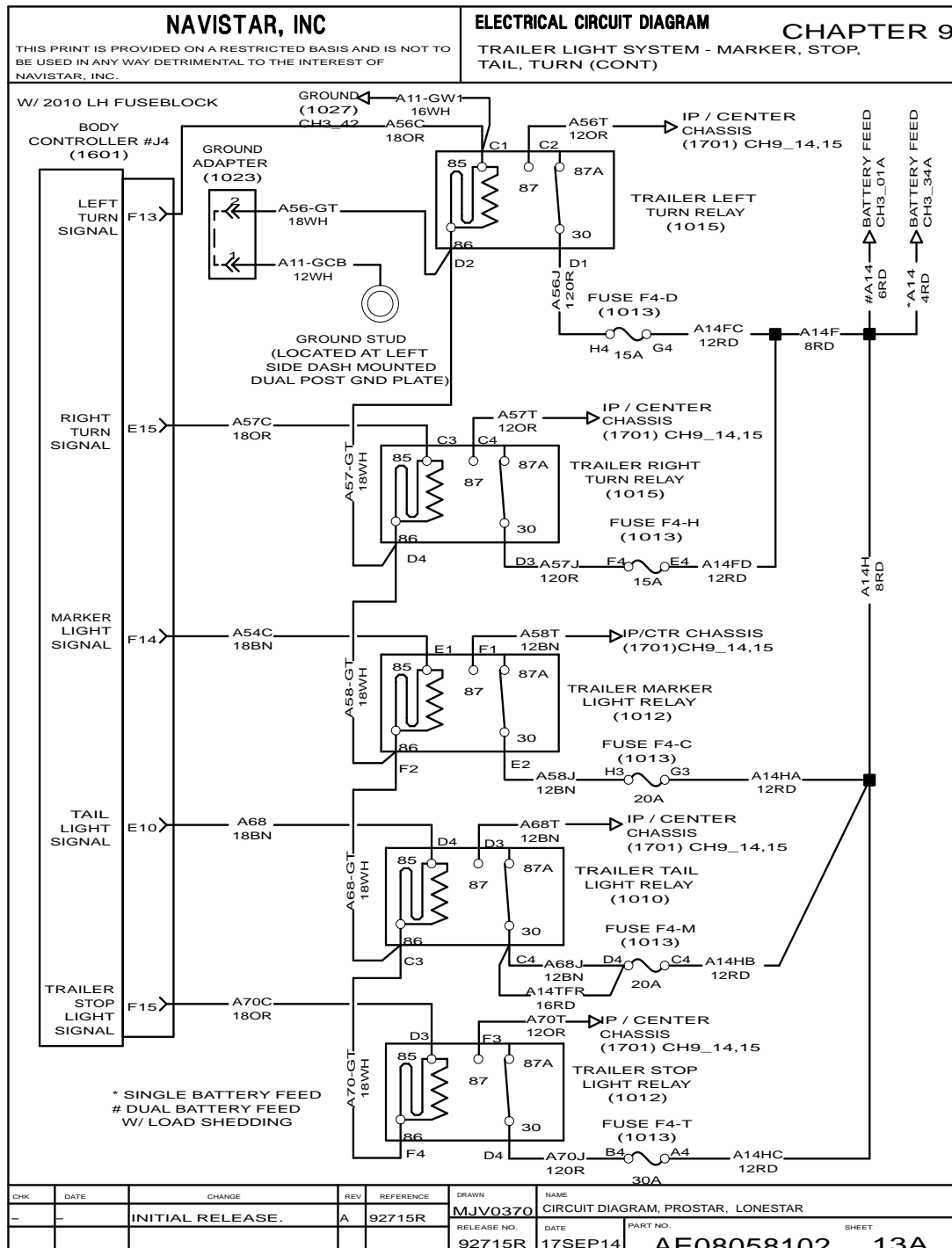


Figure 247 Trailer Light System – Marker, Stop, Tail, Turn (Cont.)

9.25. TRAILER SOCKET – BACK OF CAB, P. 14

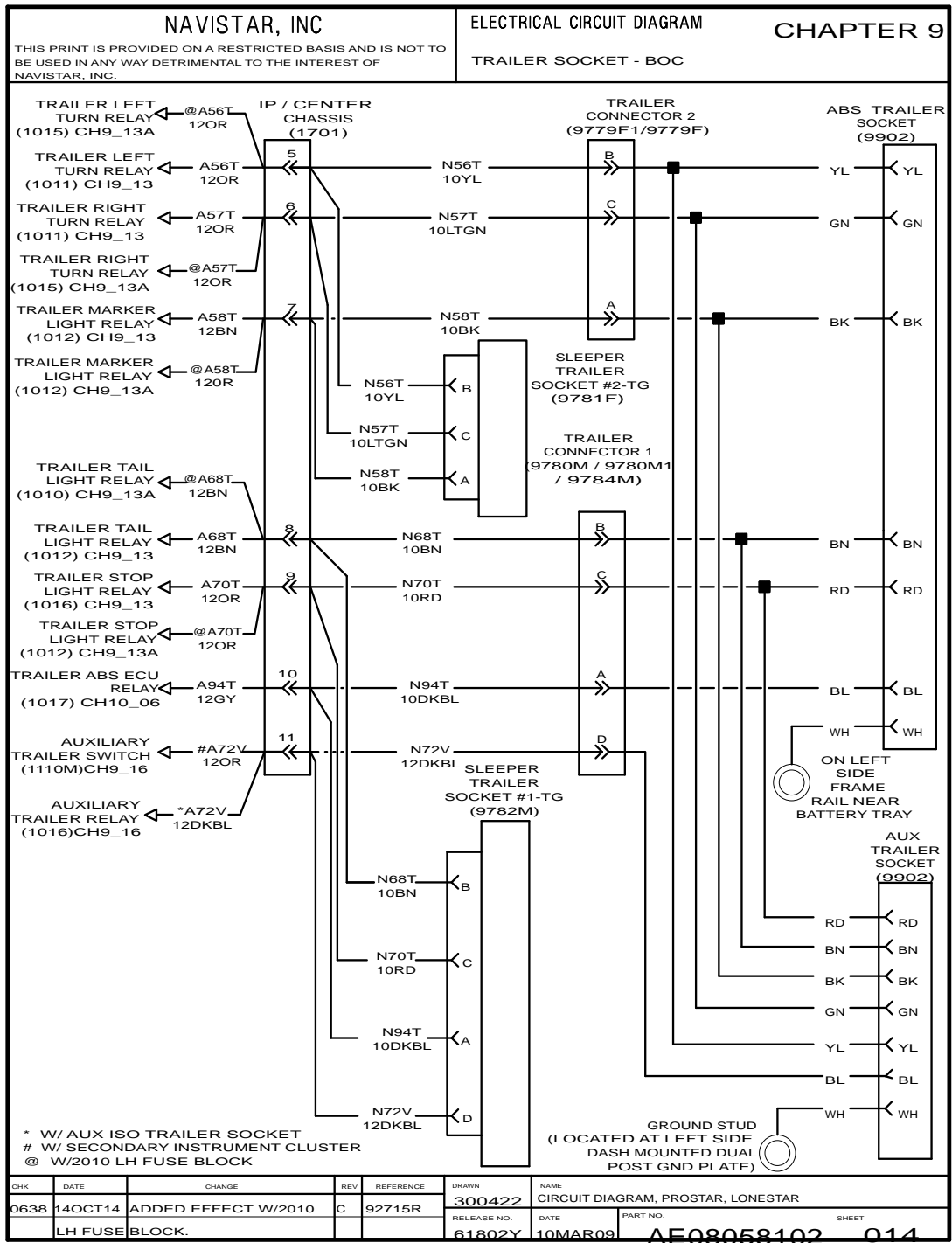


Figure 248 Trailer Socket – Back of Cab



9.26. TRAILER SOCKET – BACK OF CAB AND END OF FRAME, P. 15

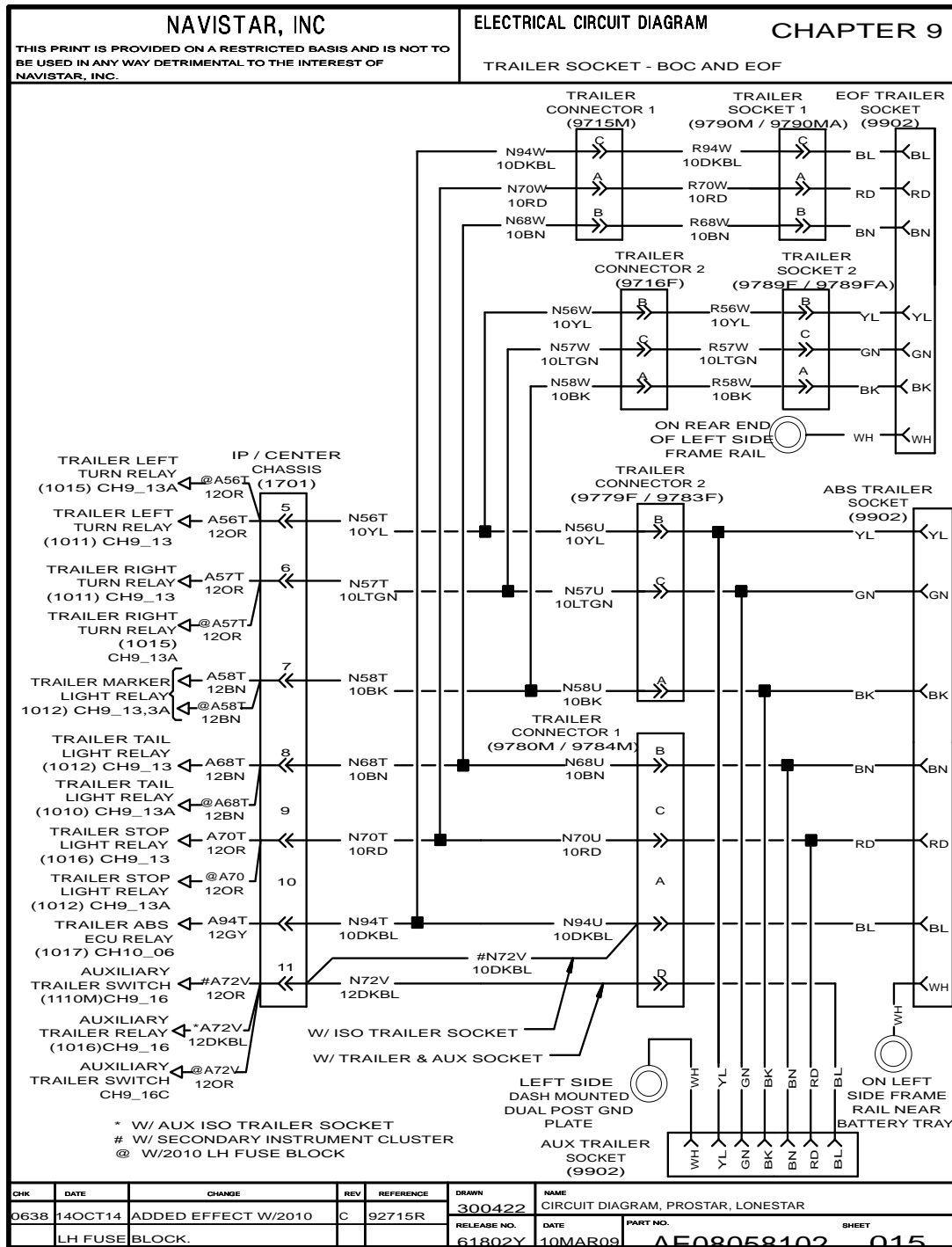


Figure 249 Trailer Socket – Back of Cab and End of Frame

9.27. TRAILER SOCKET WITH RUSSIAN PROSTAR, P. 15A

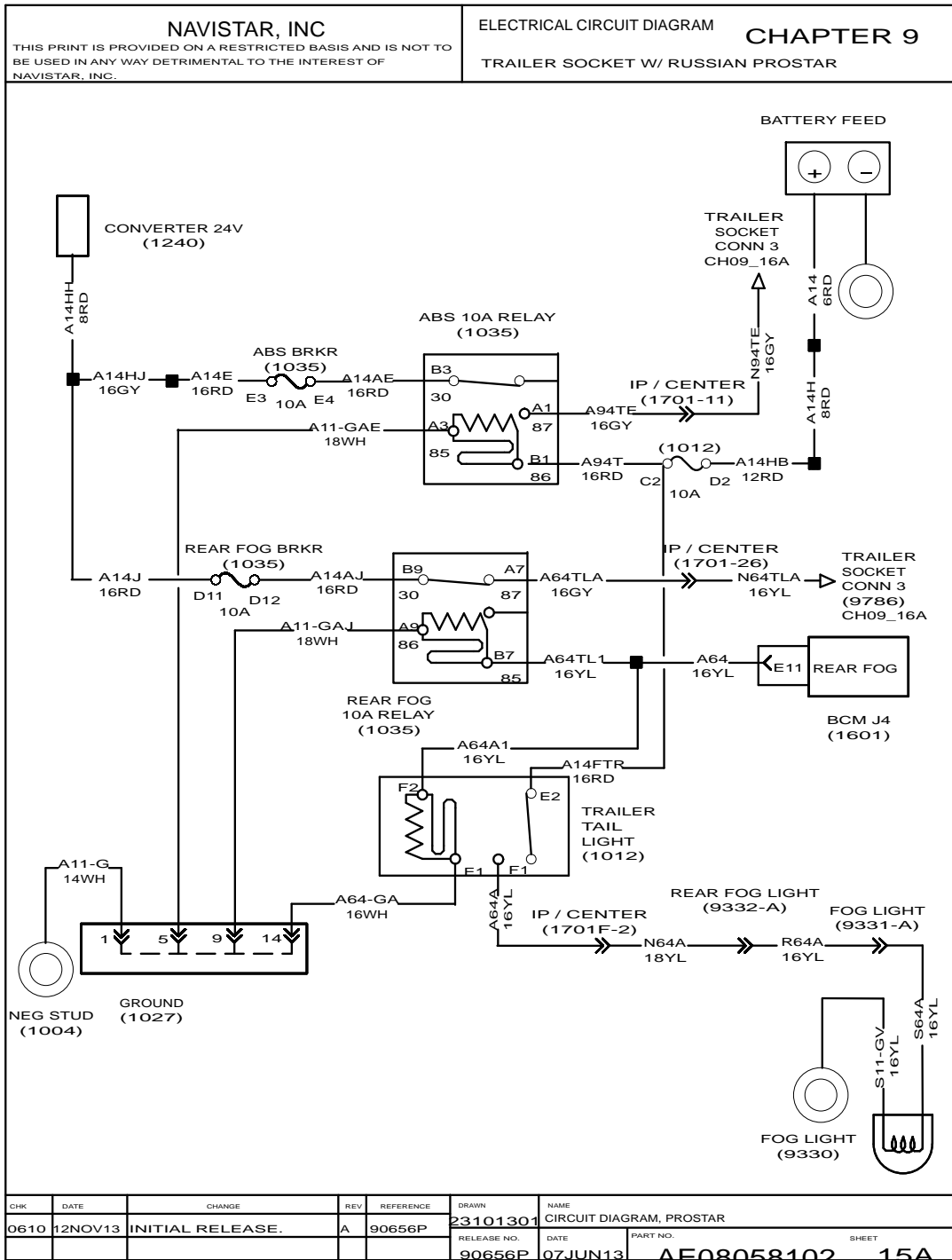


Figure 250 Trailer Socket with Russian ProStar

9.28. TRAILER SOCKET WITH RUSSIAN PROSTAR (CONT.), P. 15B

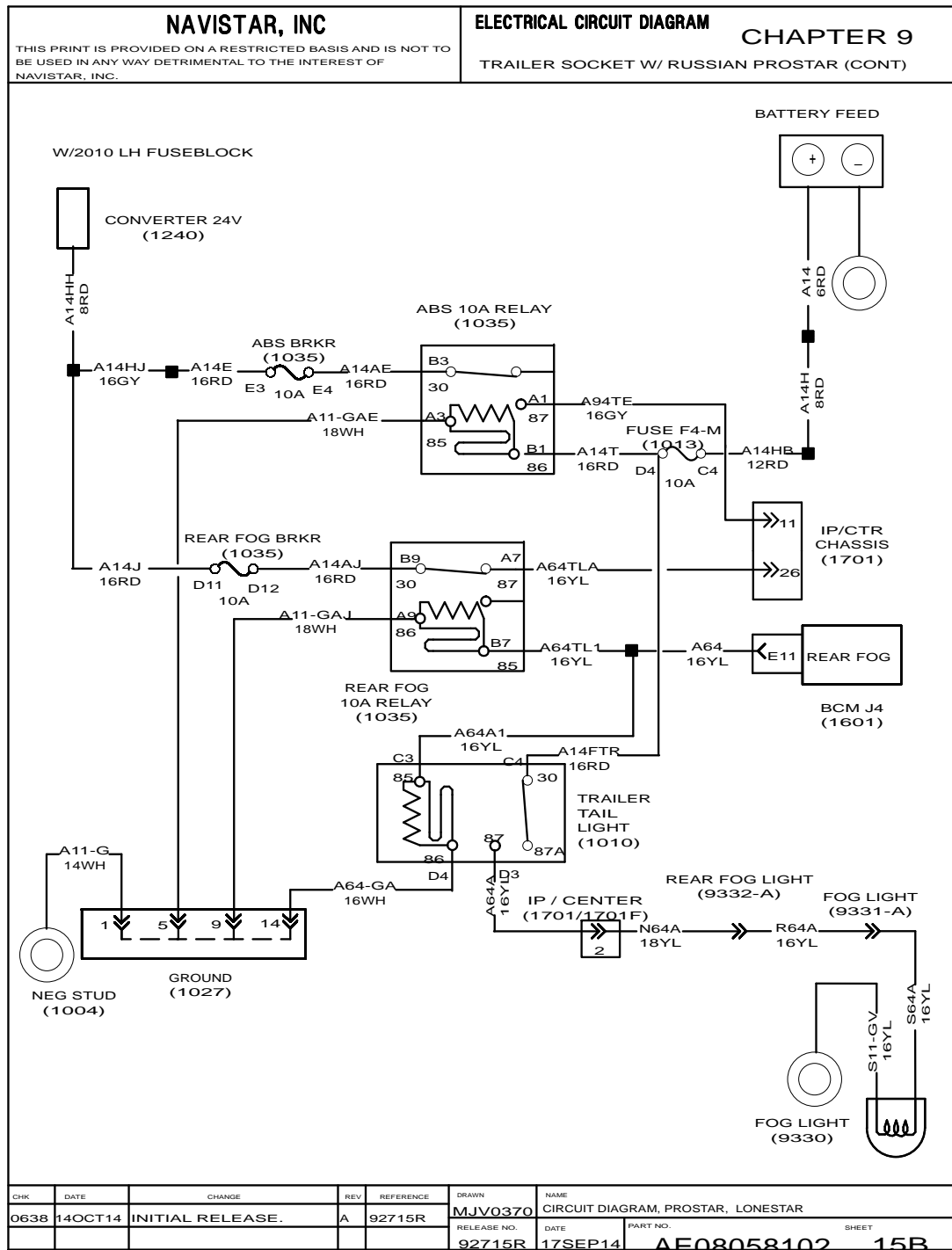


Figure 251 Trailer Socket with Russian ProStar (Cont.)

9.29. TRAILER SOCKET – AUXILIARY, P. 16

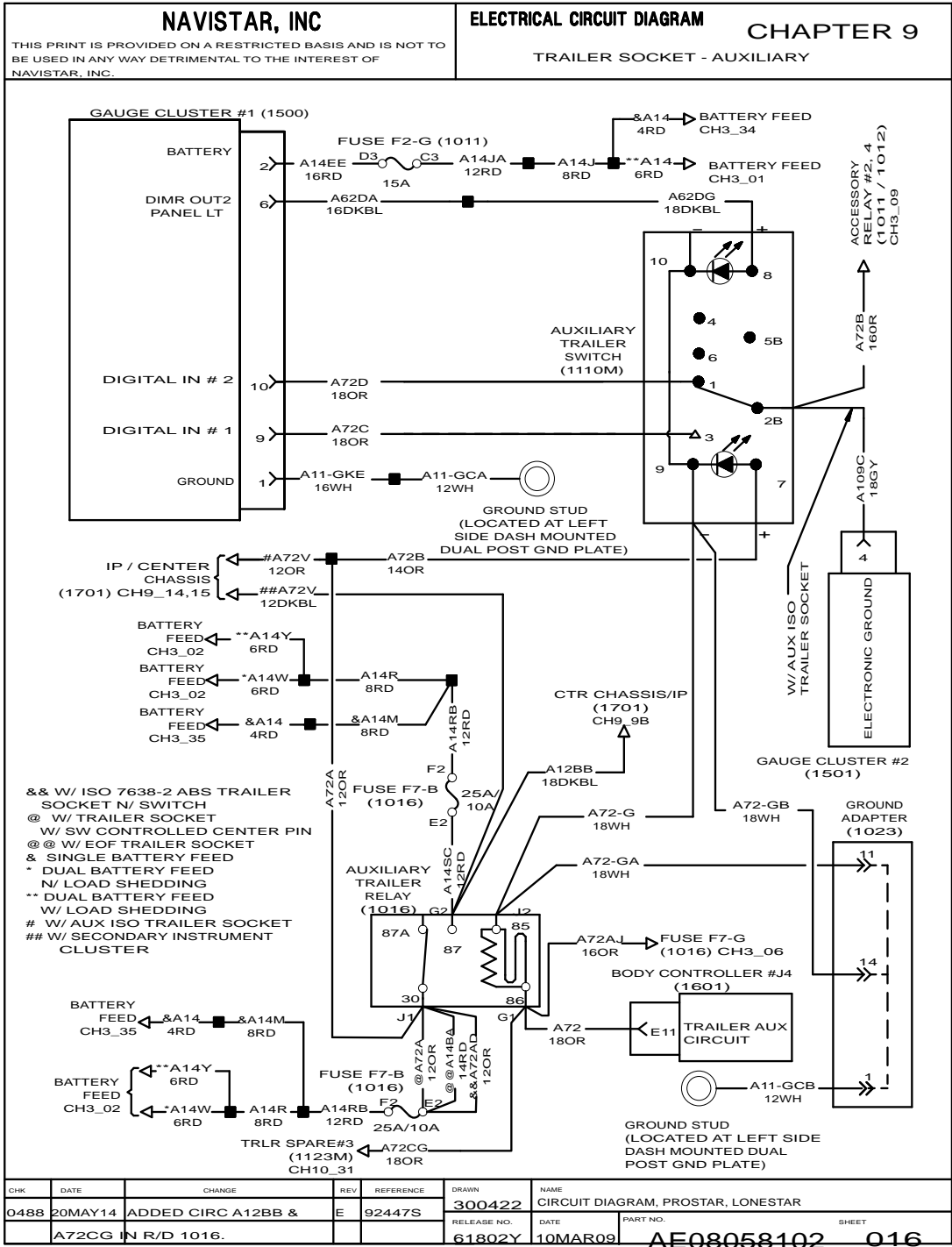


Figure 252 Trailer Socket – Auxiliary

9.30. TRAILER SOCKET – AUXILIARY WITH RUSSIAN PROSTAR, P. 16A

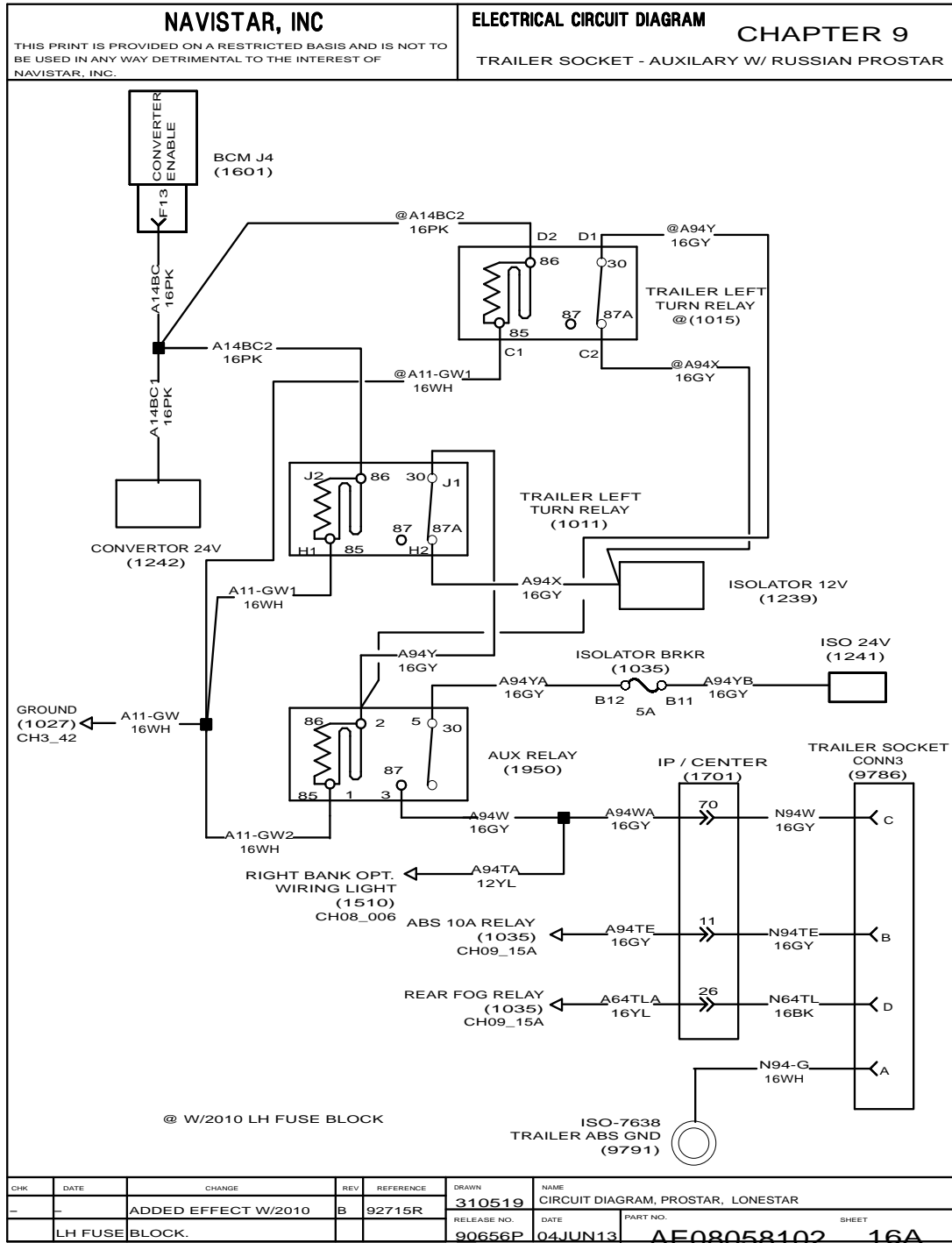


Figure 253 Trailer Socket – Auxiliary with Russian ProStar

9.31. TRAILER SOCKET – AUXILIARY, P. 16B

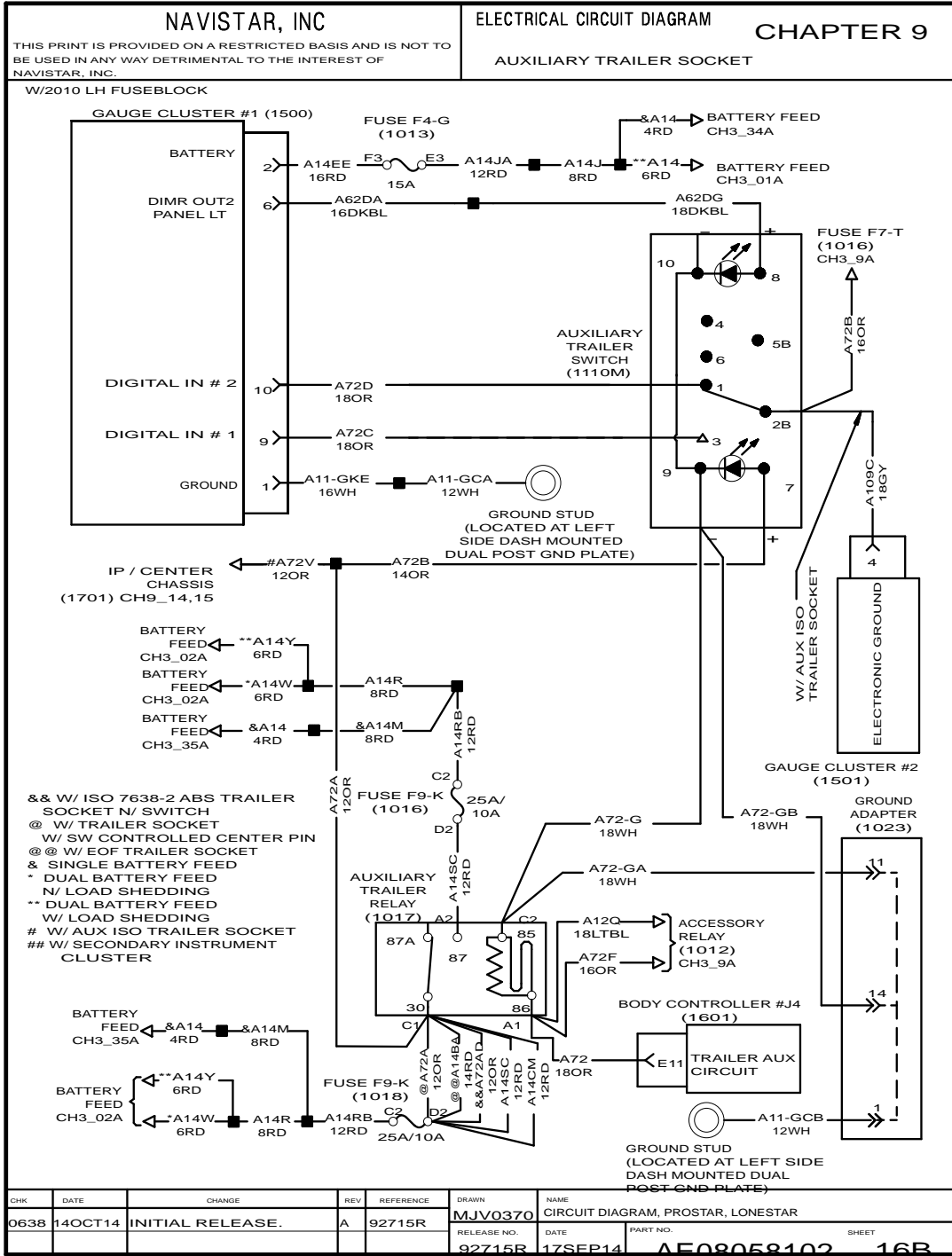


Figure 254 Trailer Socket – Auxiliary

9.32. FLOOR LIGHT, P. 17

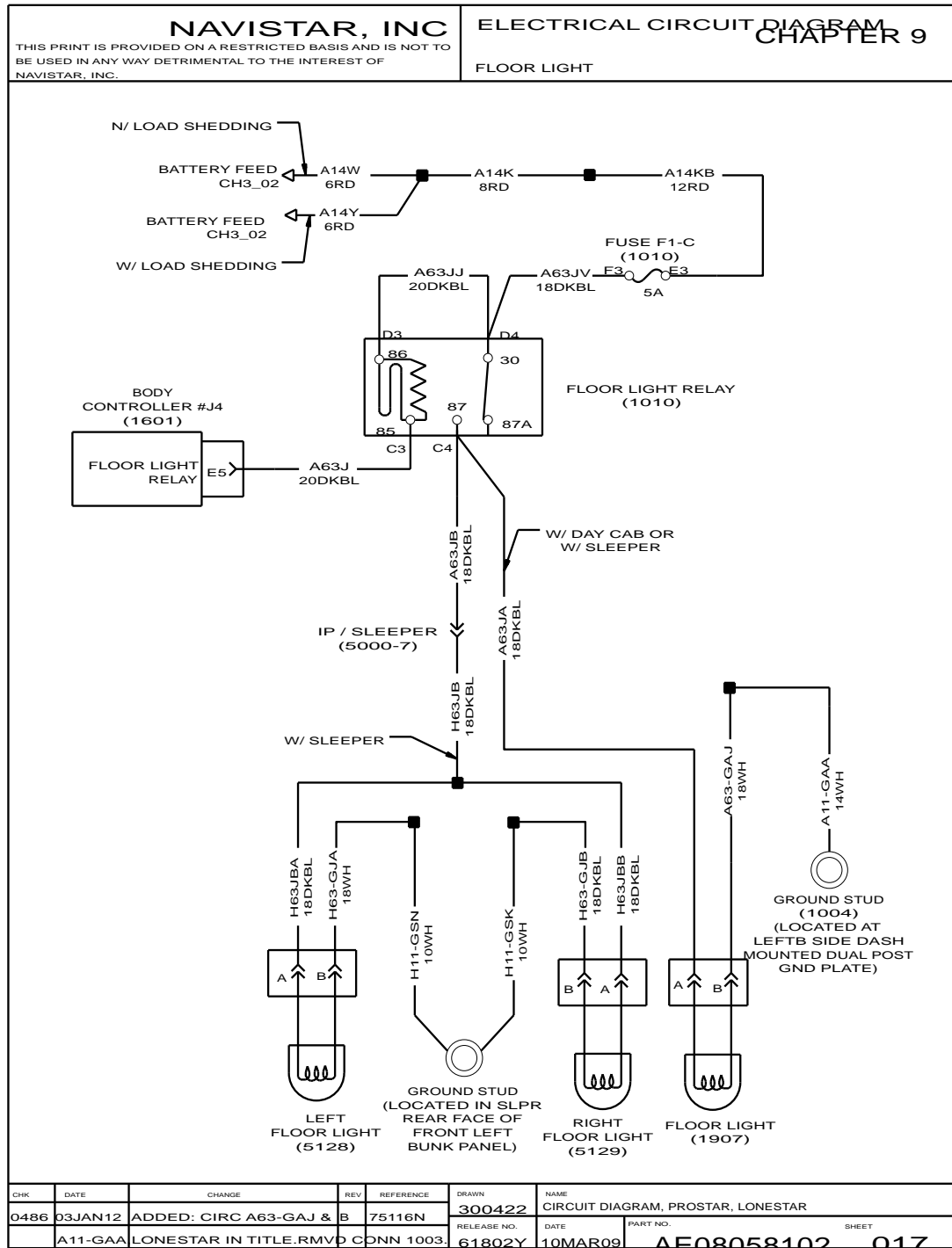


Figure 255 Floor Light

9.33. CRESCENT LIGHT LONESTAR, P. 17A

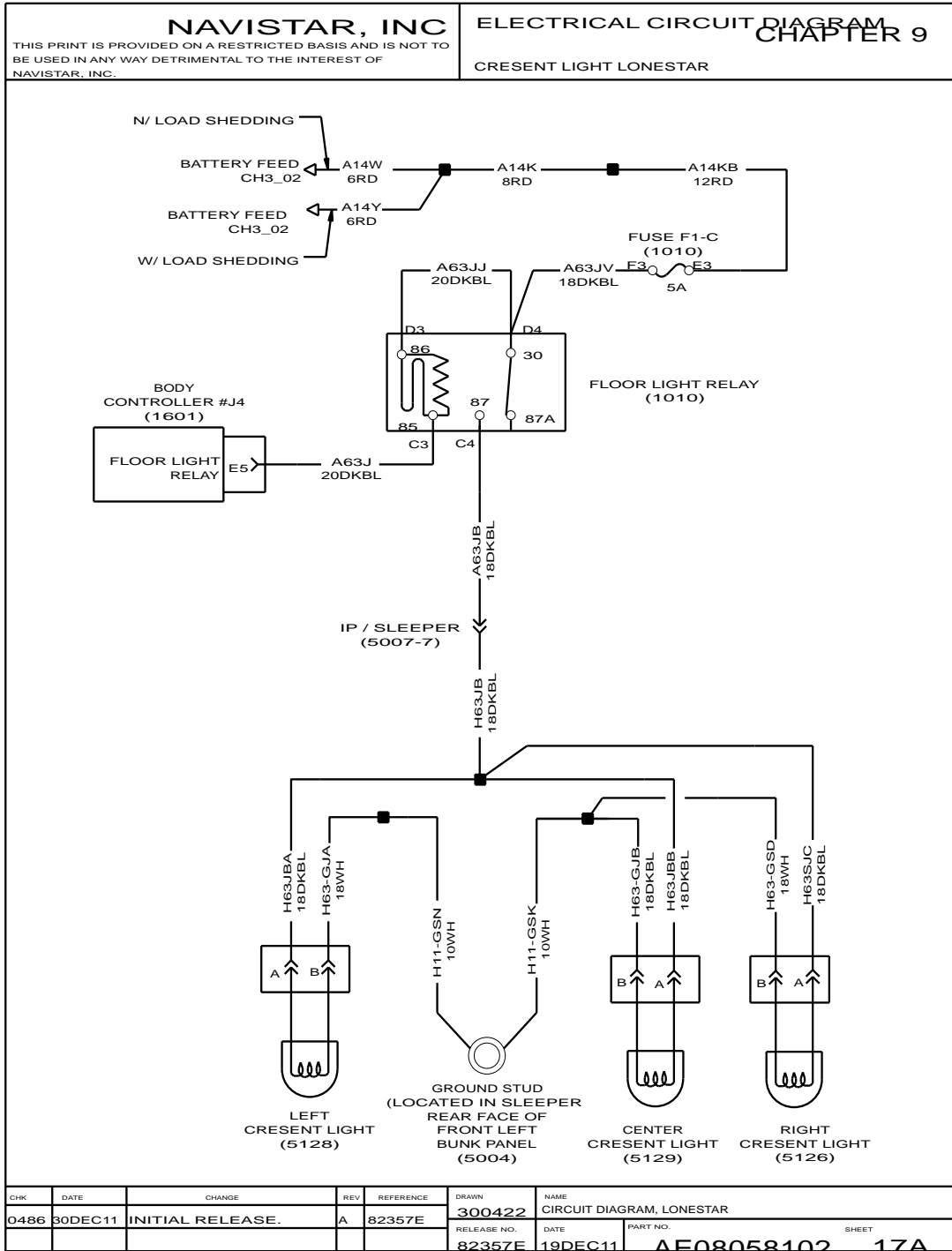


Figure 256 Crescent Light LoneStar



9.34. CRESCENT LIGHT LONESTAR (CONT.), P. 17B

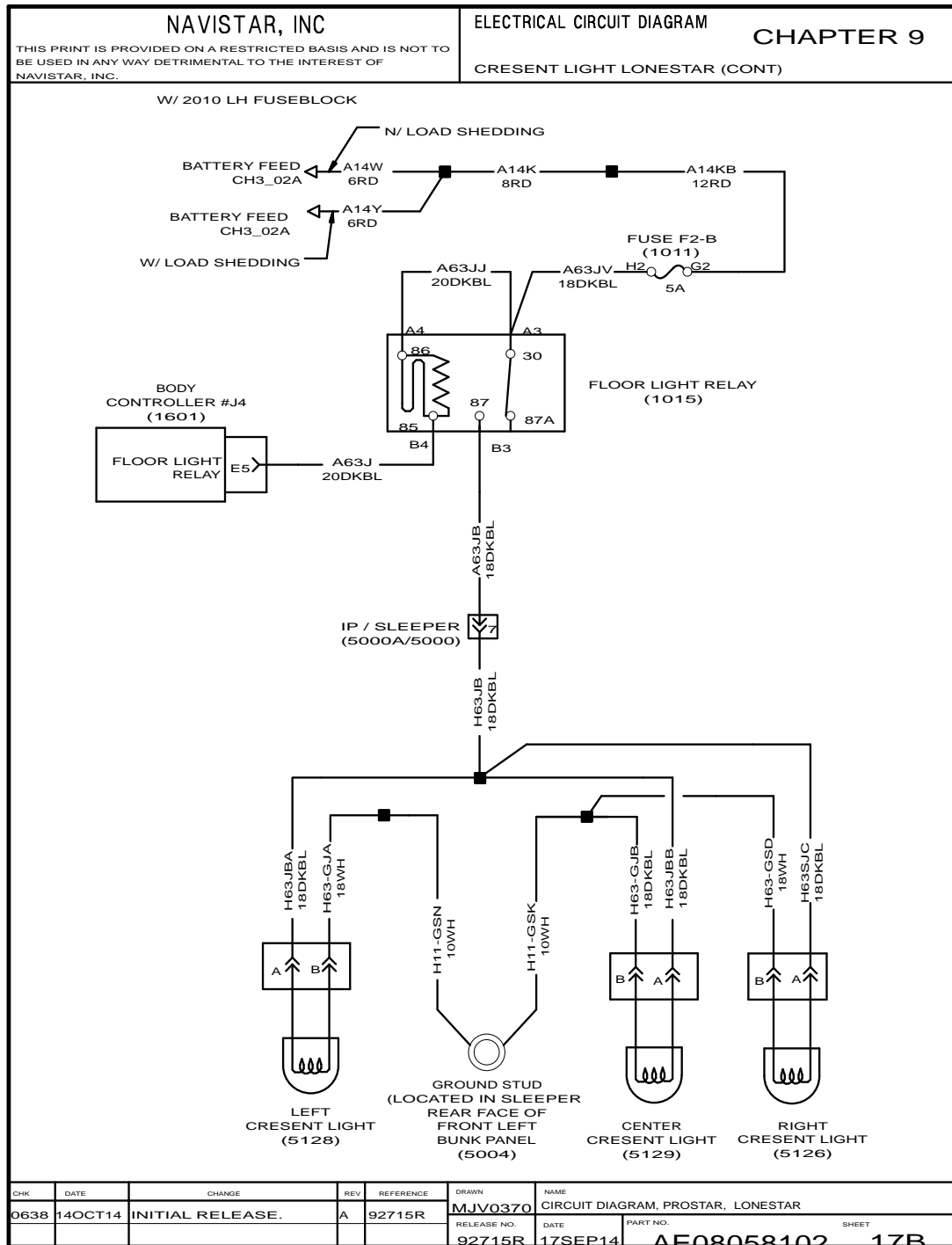


Figure 257 Crescent Light LoneStar (Cont.)

9.35. FLOOR LIGHT, P. 17C

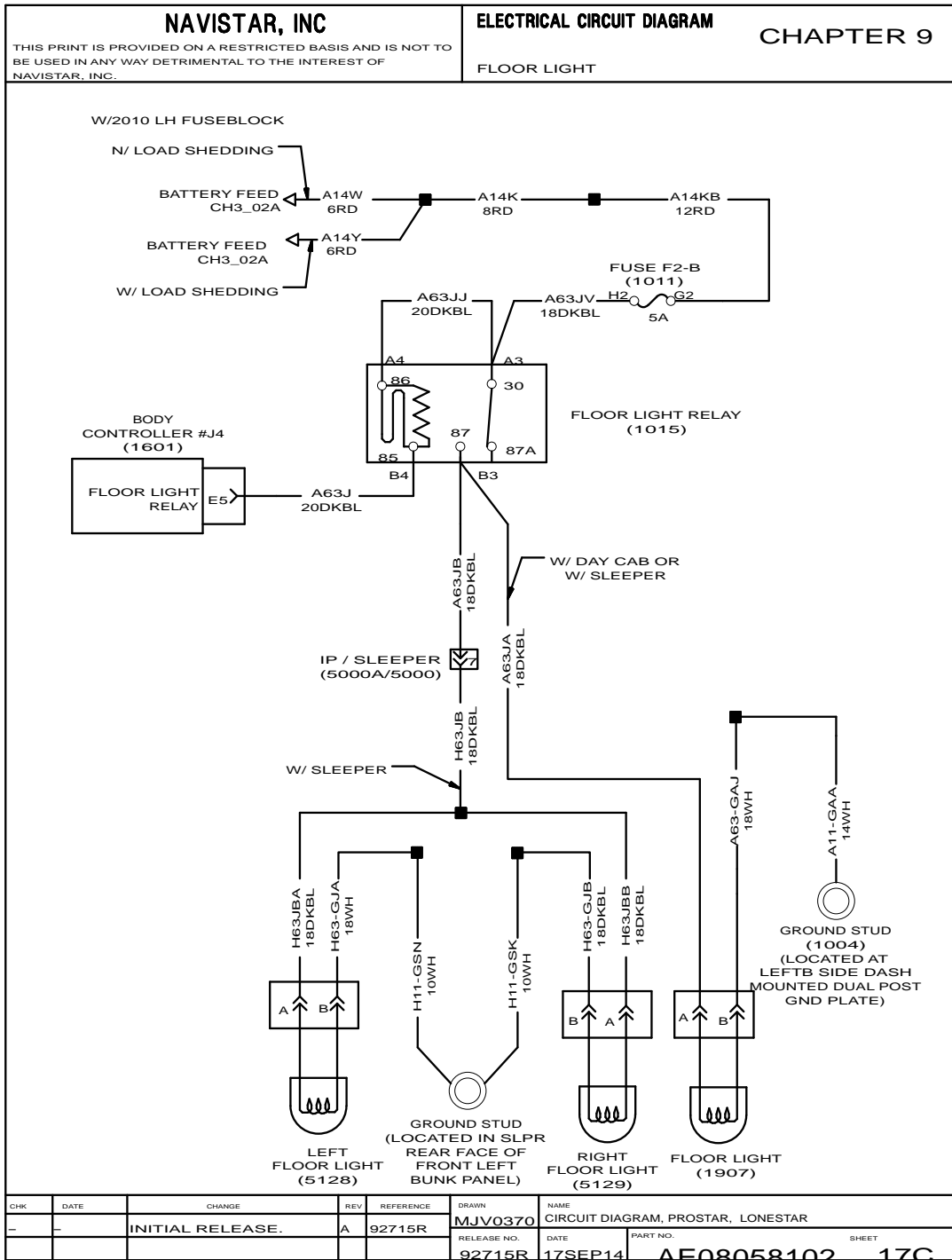


Figure 258 Floor Light

9.36. DOME AND ACCENT LIGHT – SLEEPER, P. 18

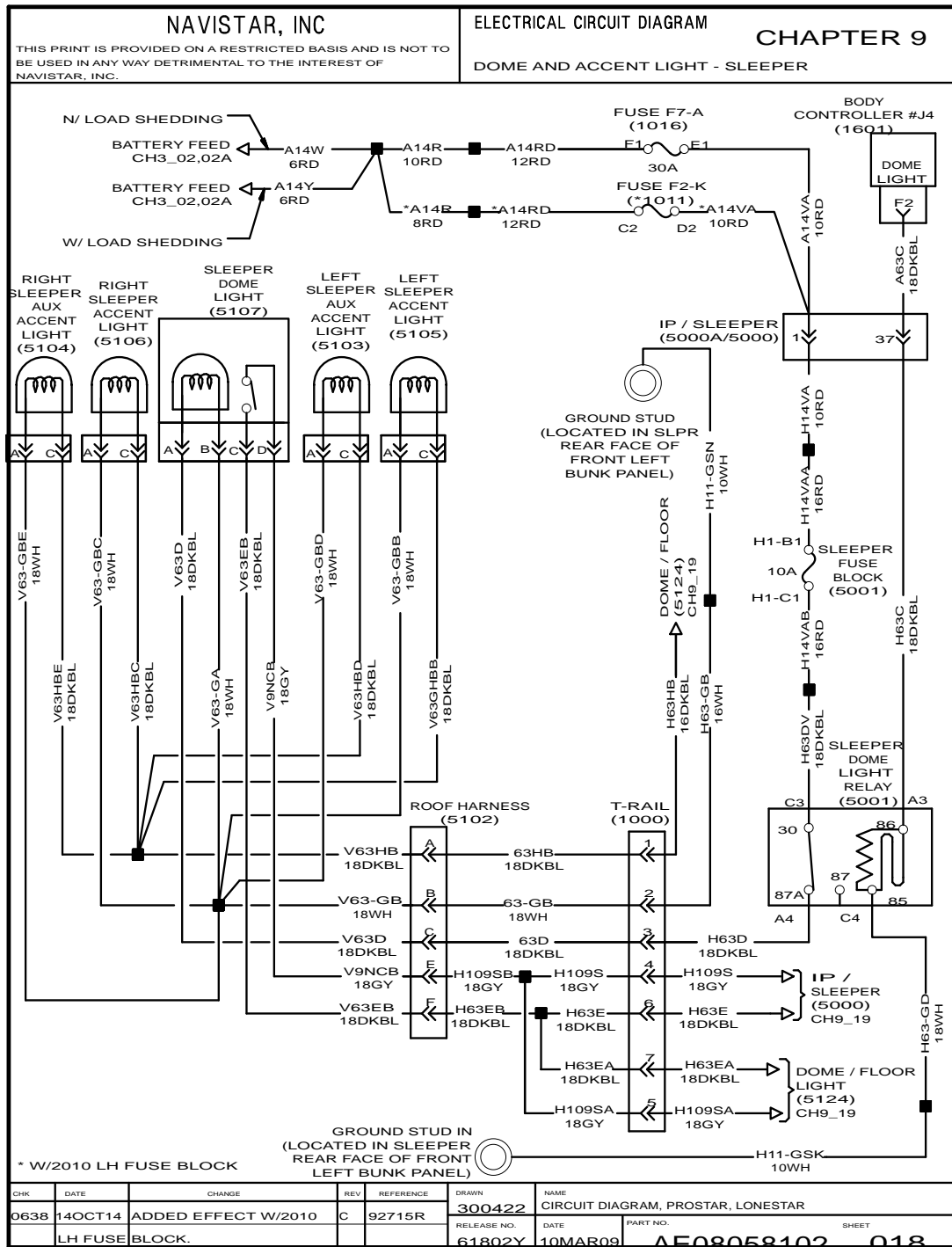


Figure 259 Dome and Accent Light – Sleeper

9.37. DOME AND ACCENT LIGHT – SLEEPER LONESTAR, P. 18A

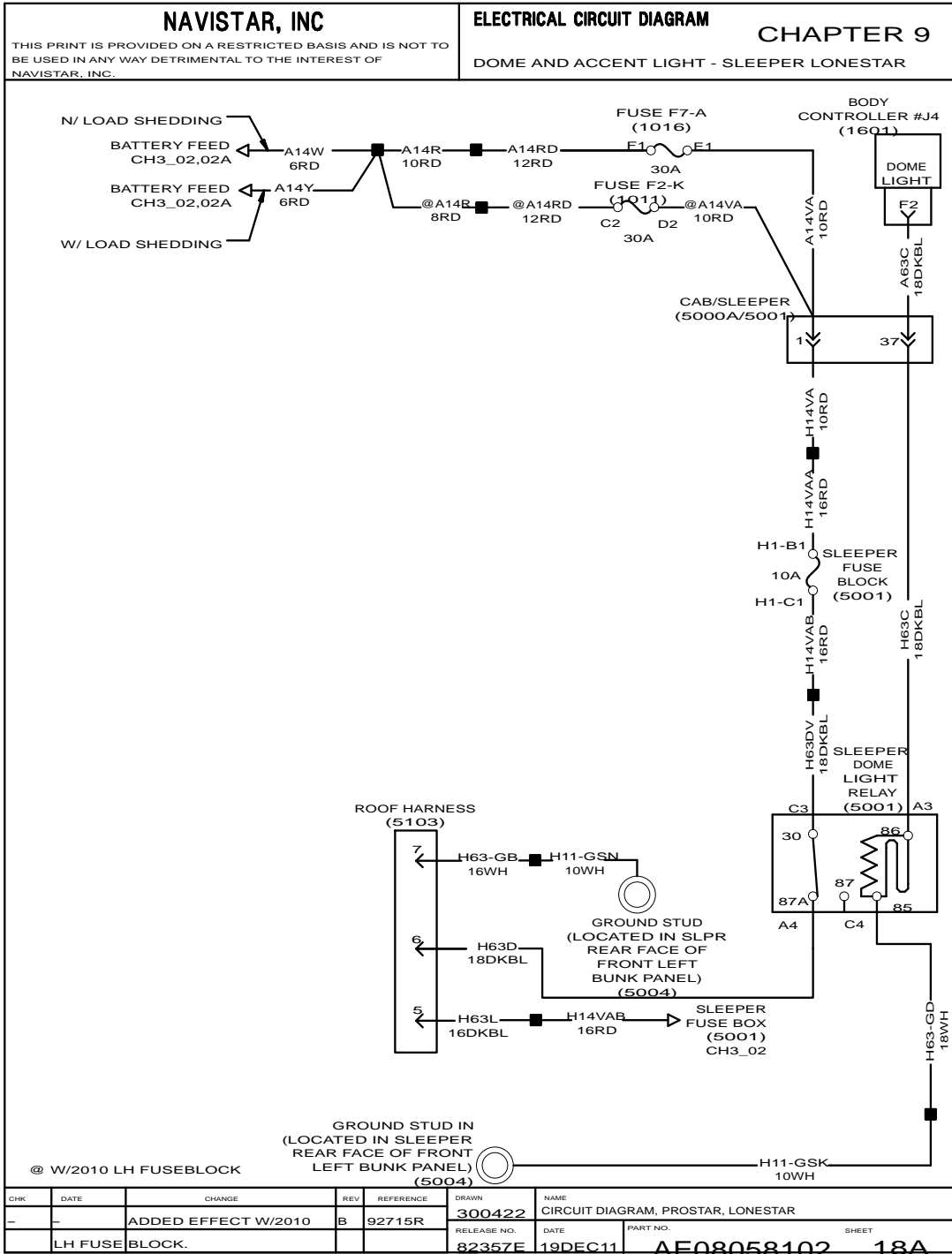


Figure 260 Dome and Accent Light – Sleeper LoneStar

9.38. DOME AND ACCENT LIGHT – SLEEPER (CONT.), P. 19

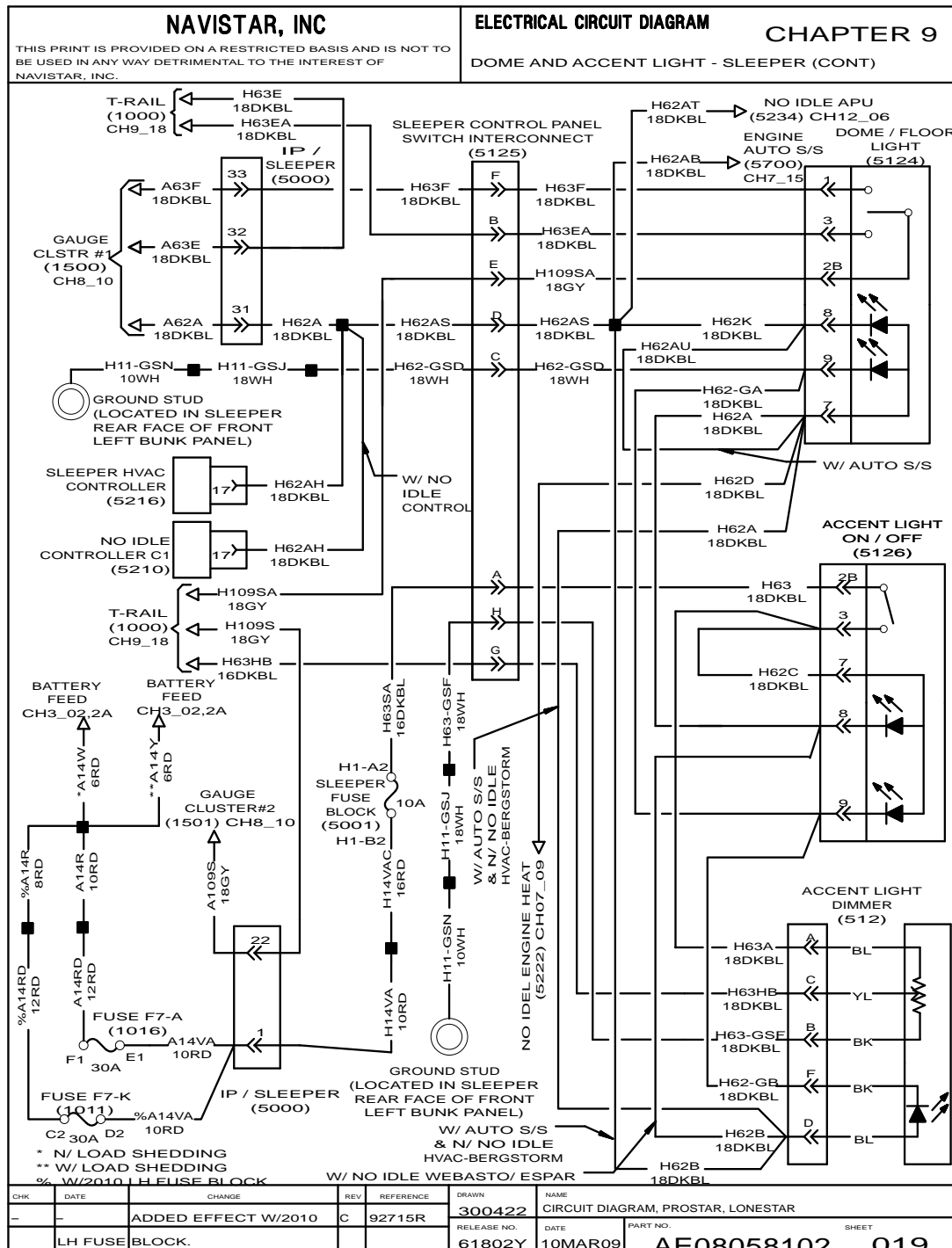


Figure 261 Dome and Accent Light – Sleeper (Cont.)

9.39. LIGHTED AIR SHIELD, P. 20

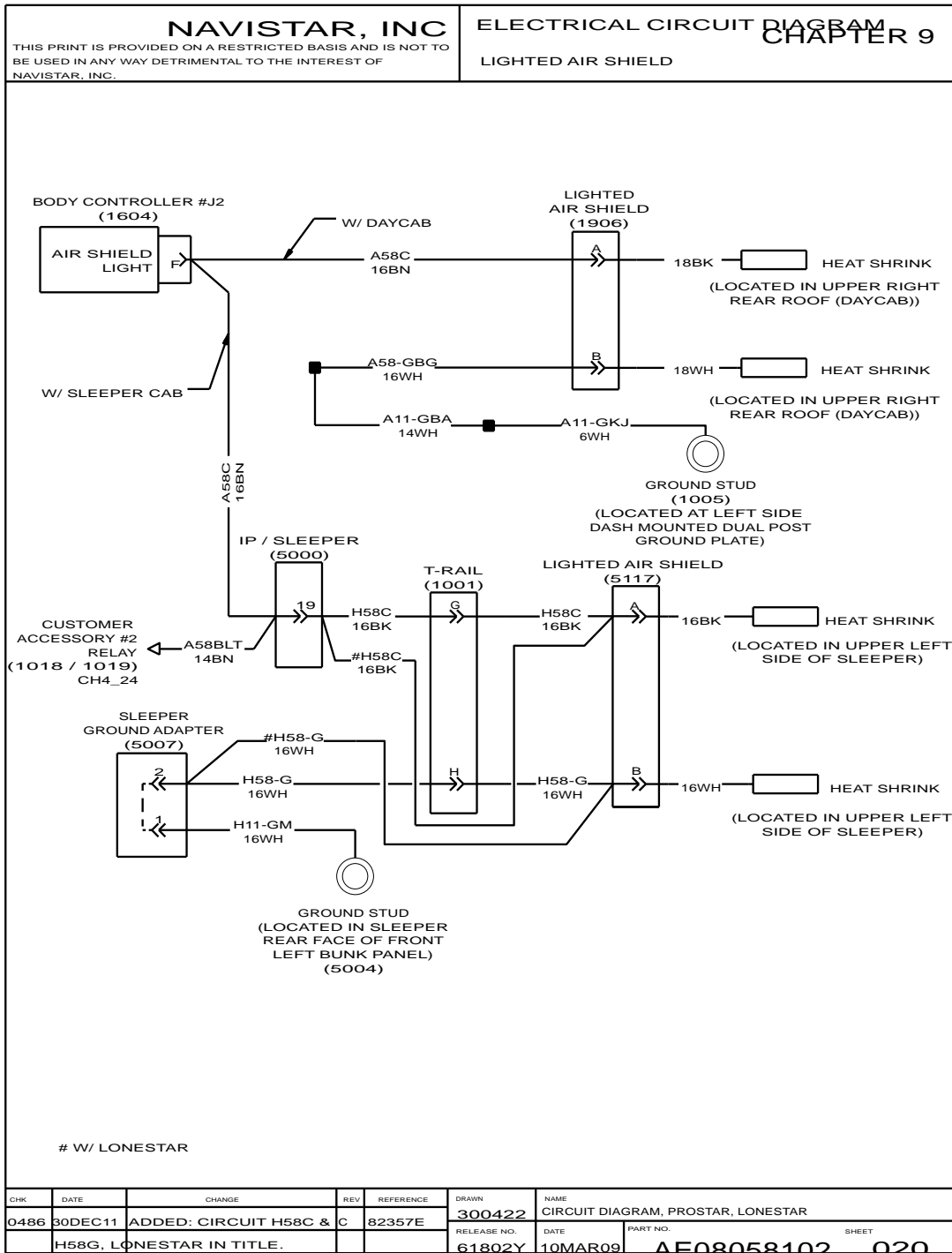


Figure 262 Lighted Air Shield

9.40. PANEL LIGHTS, P. 21

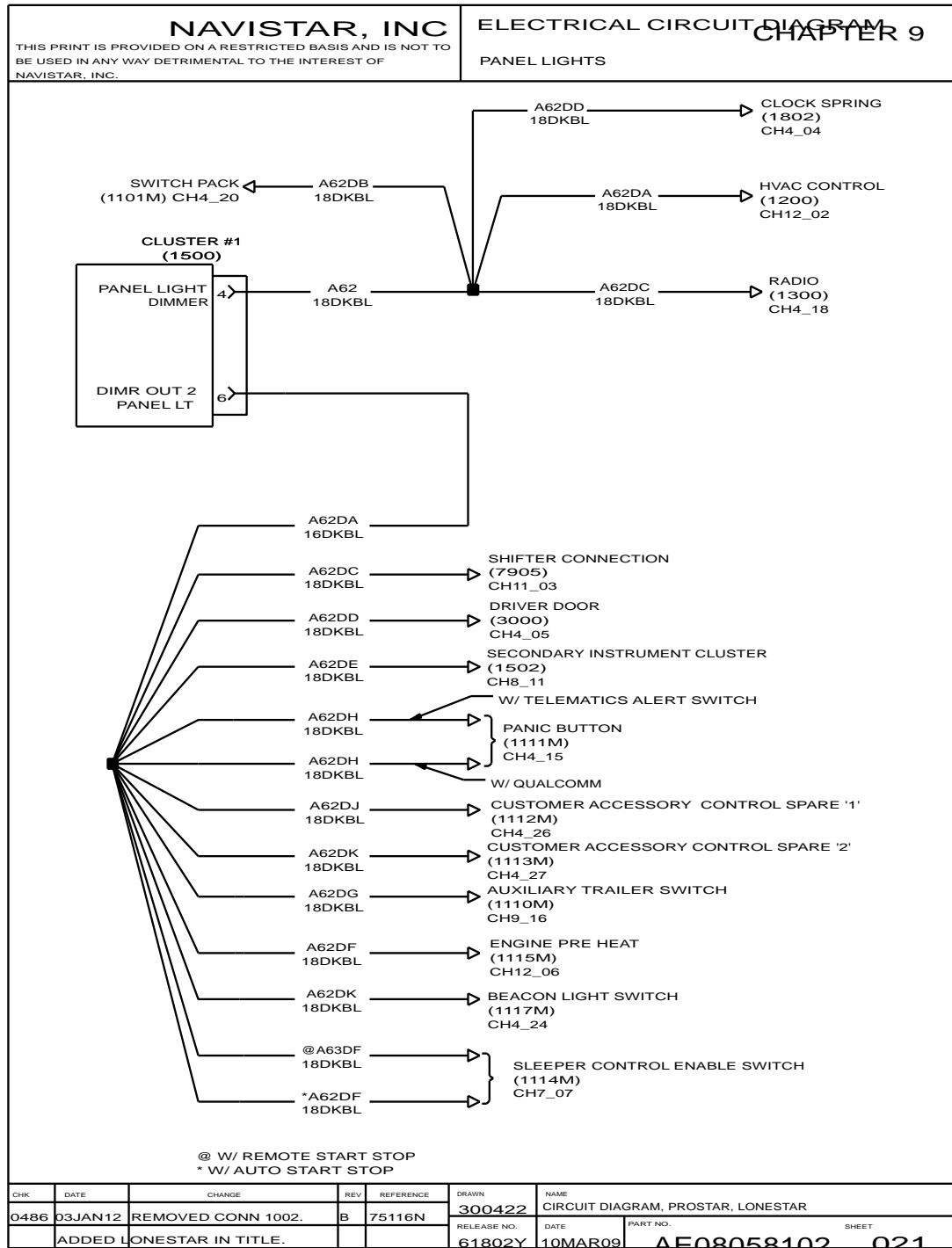


Figure 263 Panel Lights

9.41. WORK LIGHTS – DAY CAB, P. 22

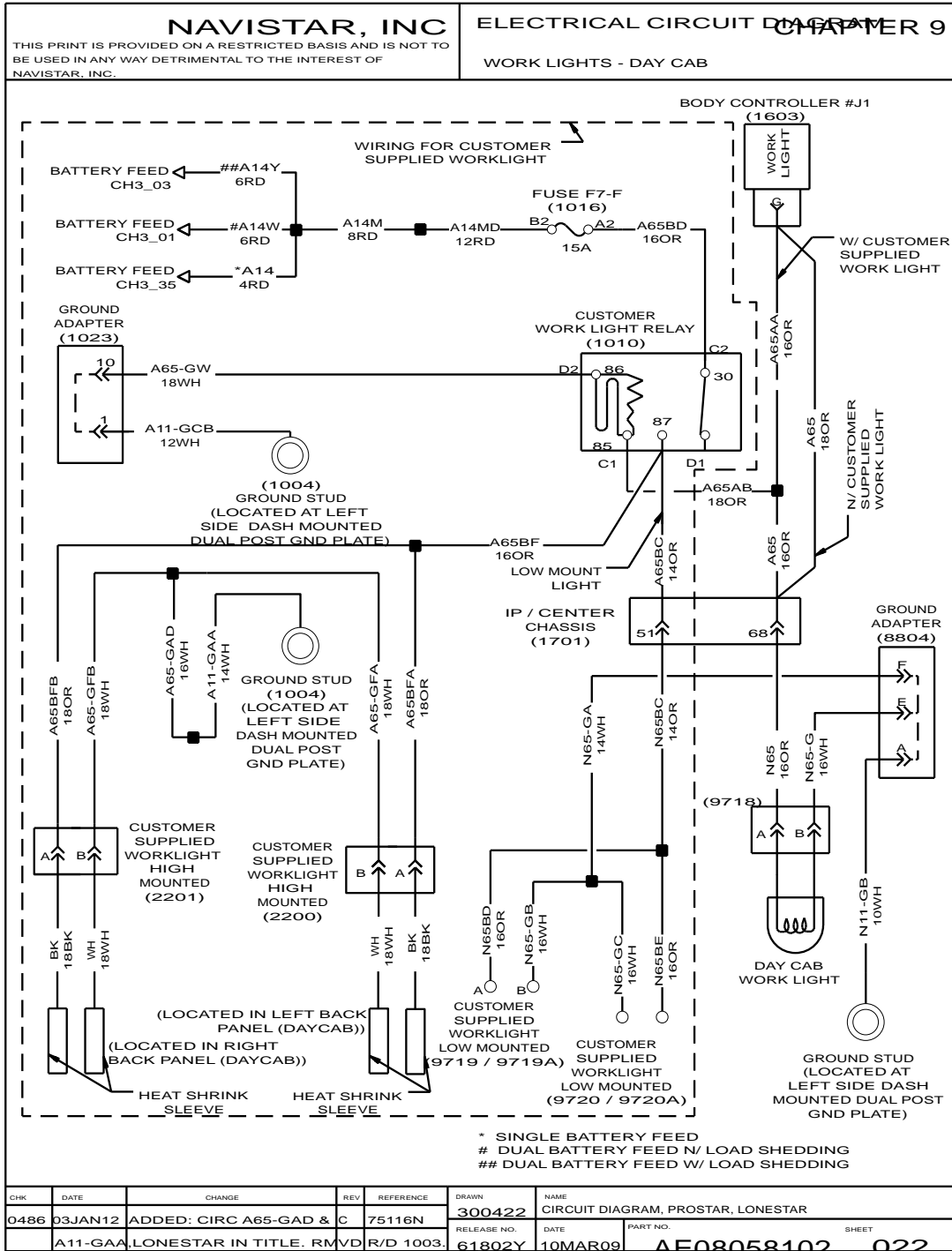


Figure 264 Work Lights – Day Cab



9.42. WORK LIGHTS – DAY CAB (CONT.), P. 22A

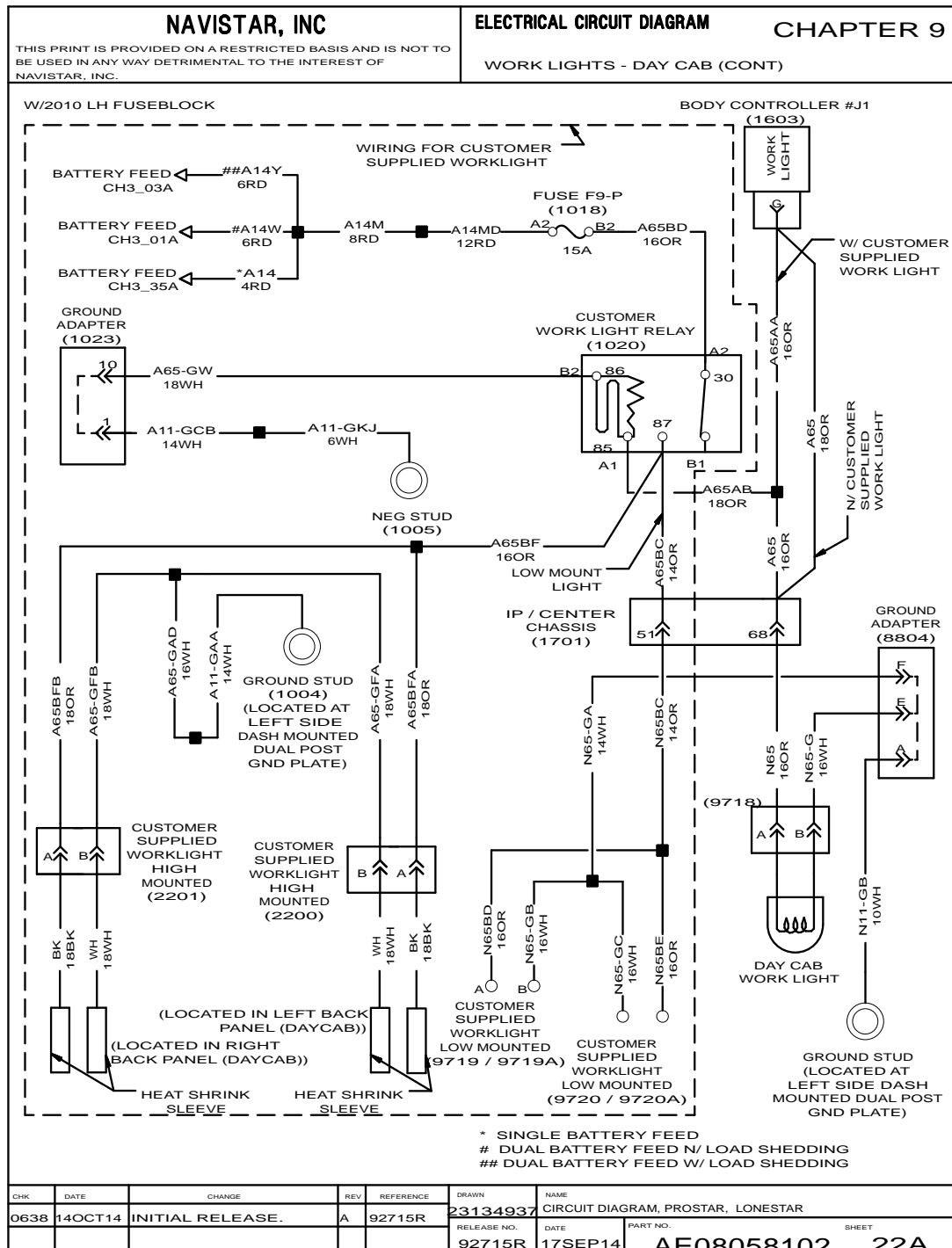


Figure 265 Work Lights – Day Cab (Cont.)

9.43. WORK LIGHTS – SLEEPER CAB, P. 23

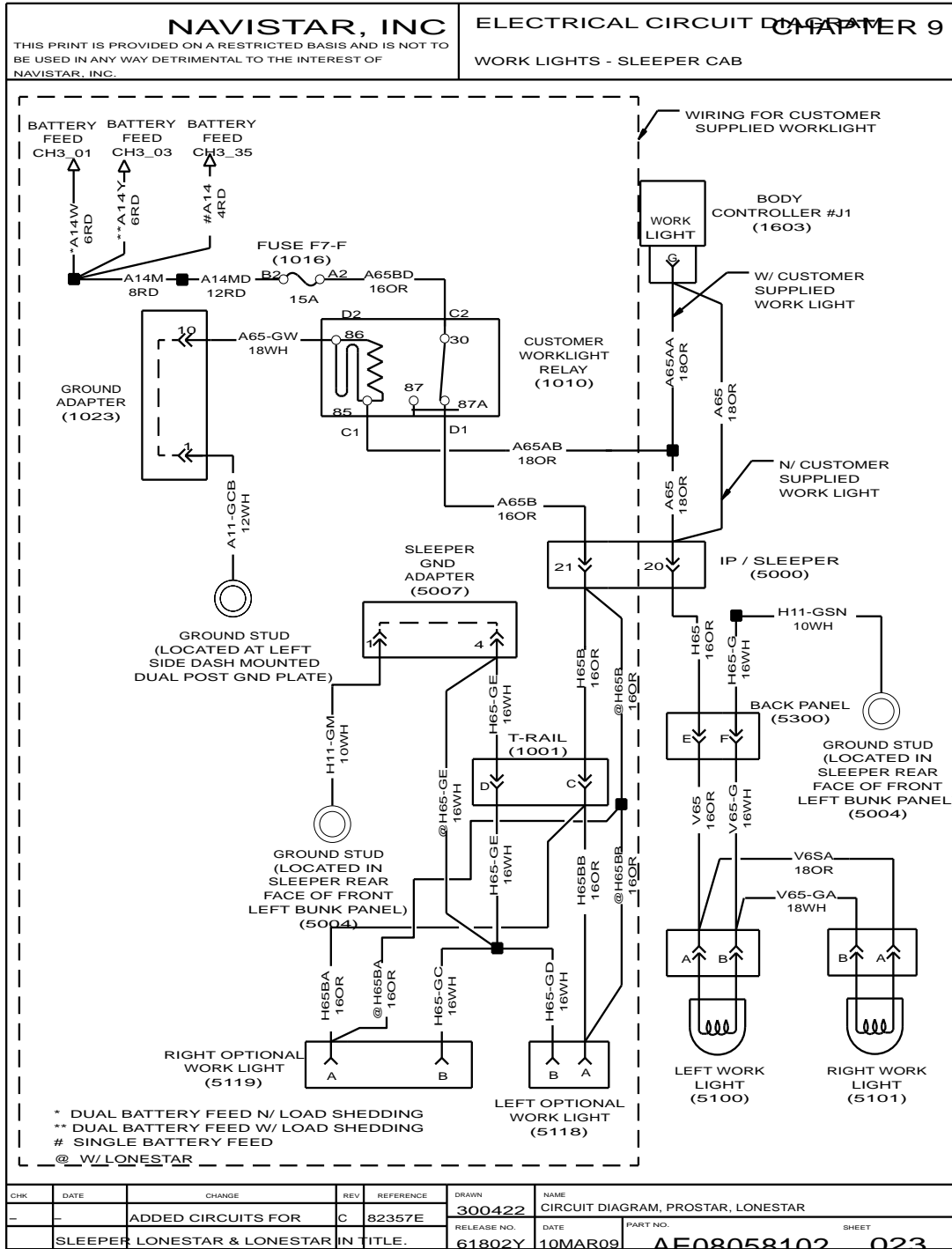


Figure 266 Work Lights – Sleeper Cab

9.44. WORK LIGHTS – SLEEPER CAB (CONT.), P. 23A

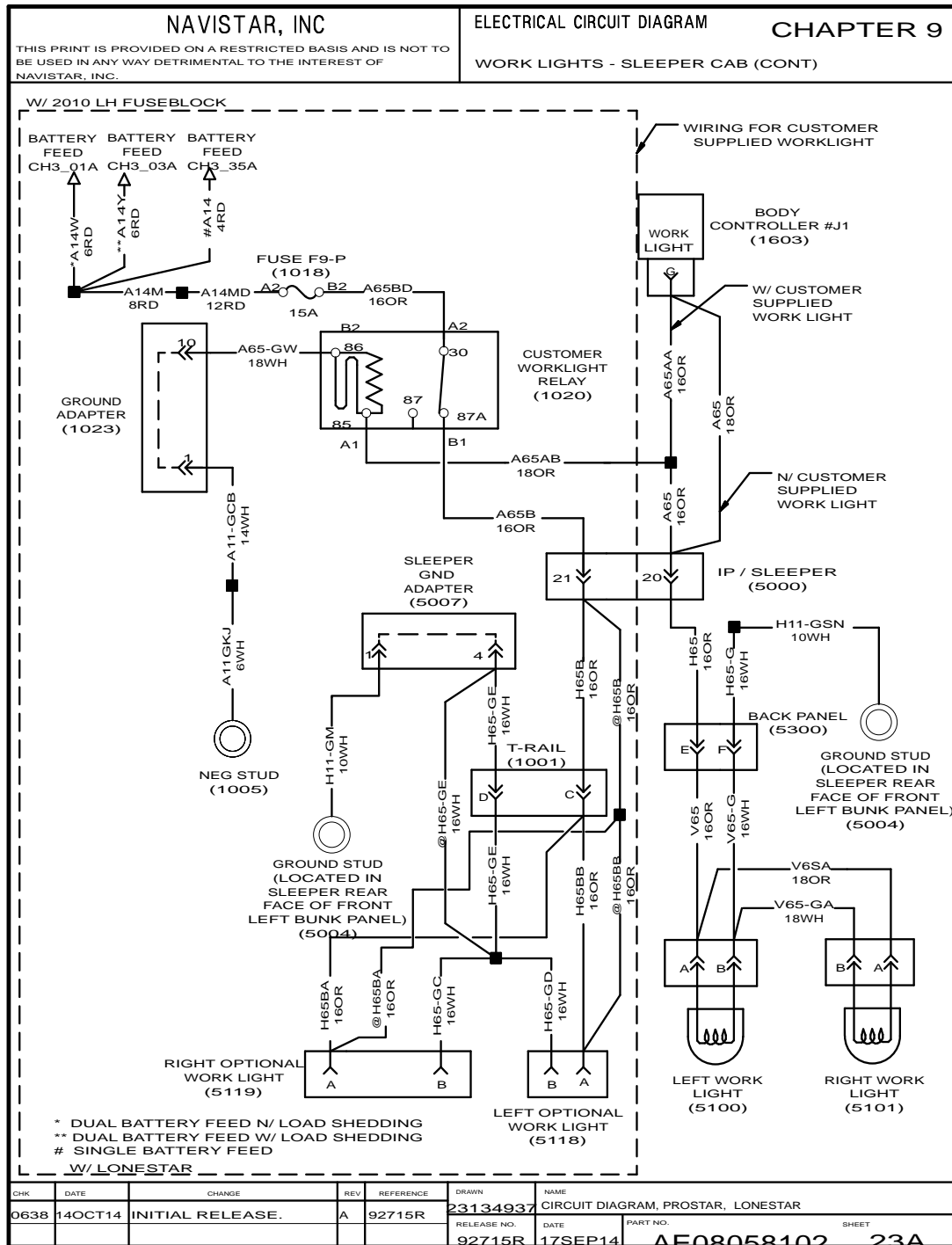


Figure 267 Work Lights – Sleeper Cab (Cont.)

9.45. DOME AND ACCENT LIGHT – SLEEPER, P. 24

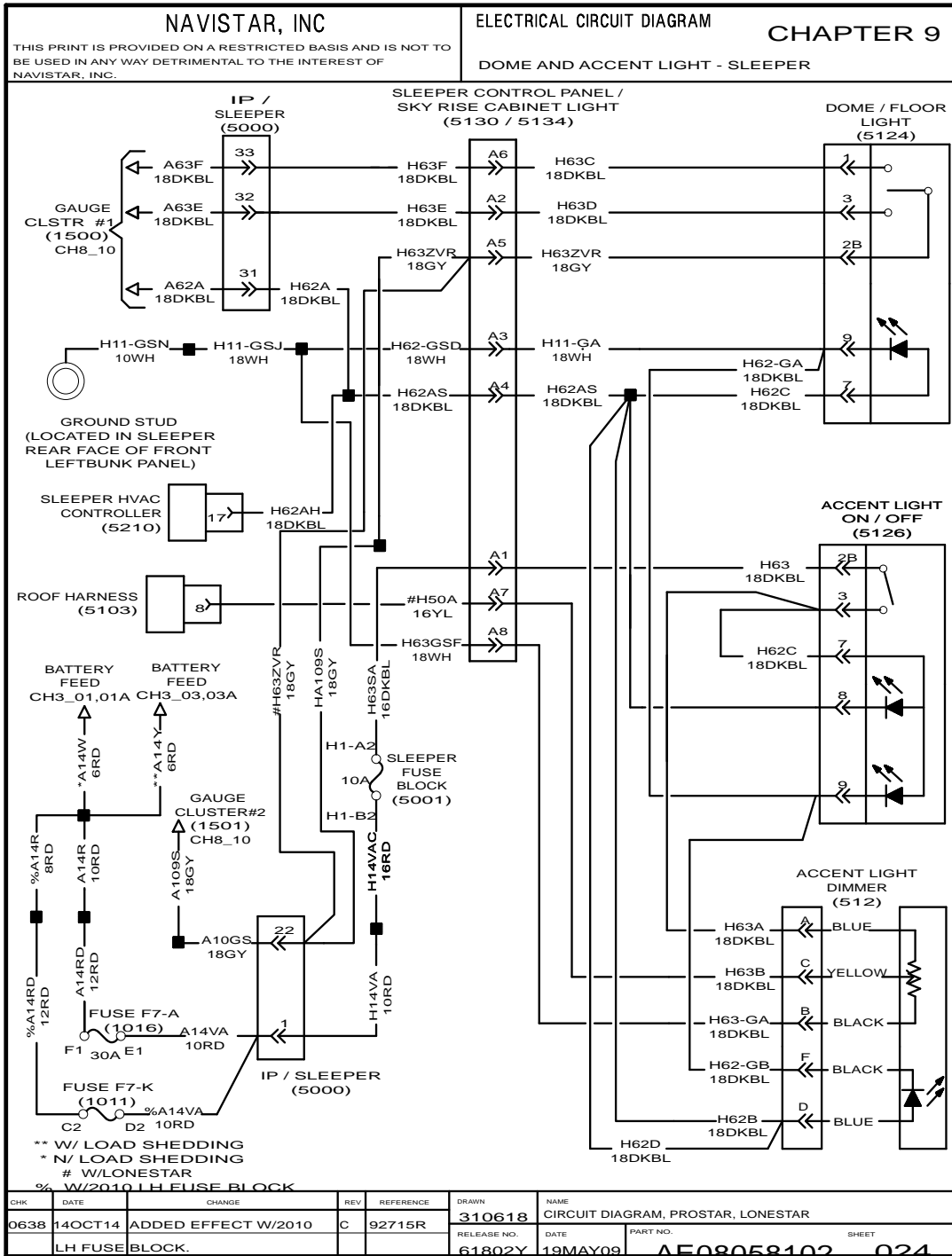


Figure 268 Dome and Accent Light – Sleeper

9.46. BEACON LIGHT LONESTAR, P. 25

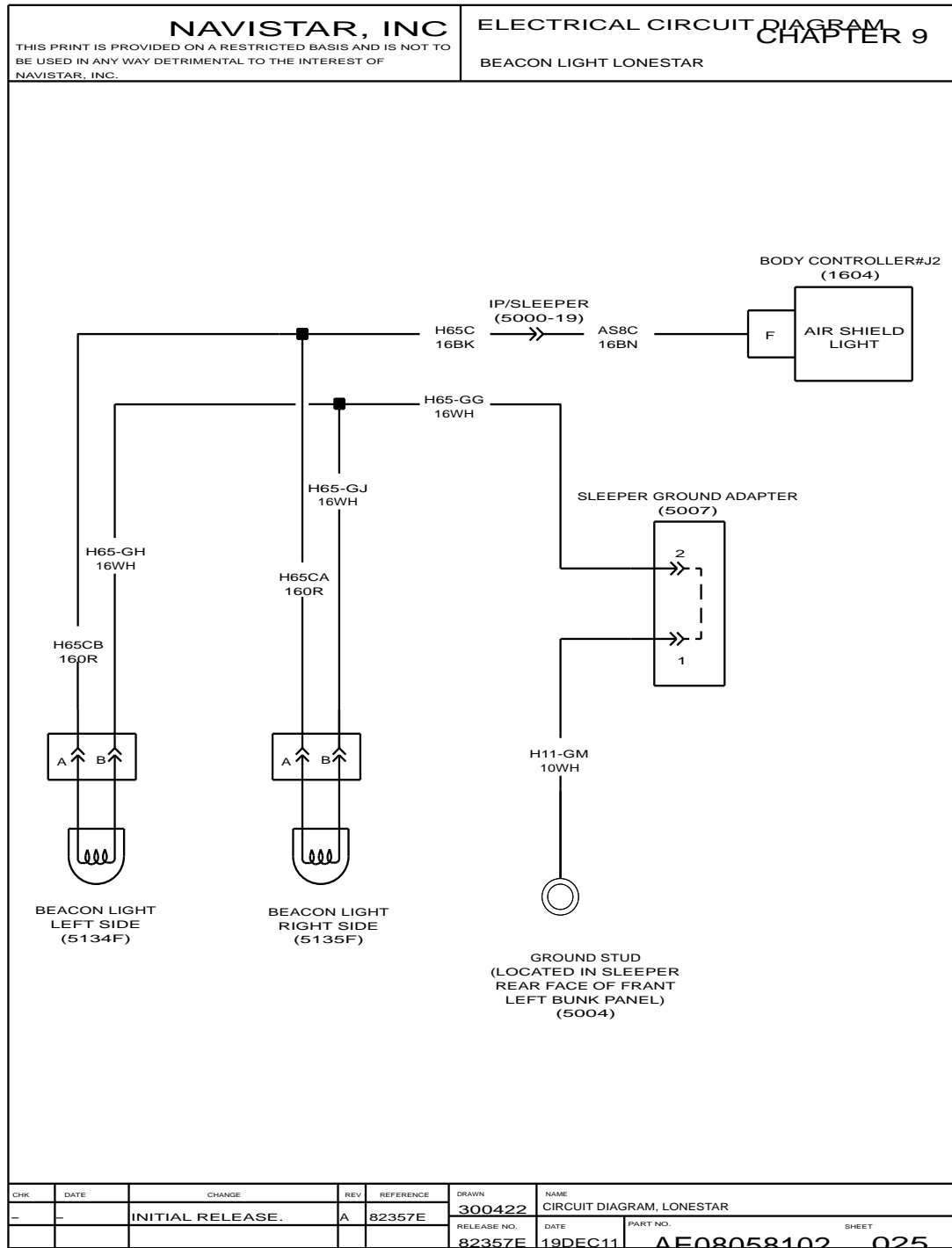


Figure 269 Beacon Light LoneStar

9.47. DFM WITH RUSSIAN PROSTAR, P. 26

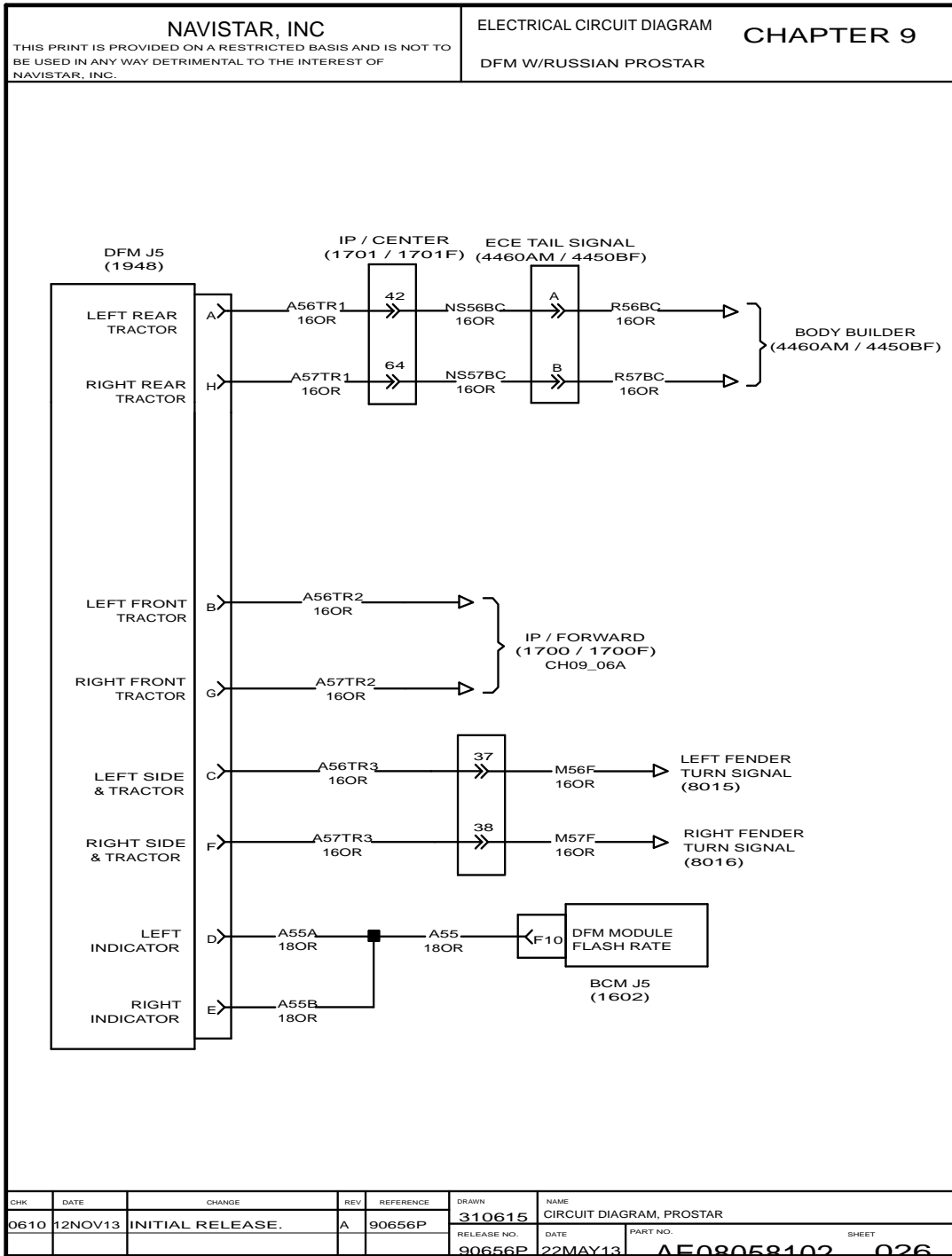


Figure 270 DFM with Russian ProStar

9.48. DFM WITH RUSSIAN PROSTAR (CONT.), P. 27

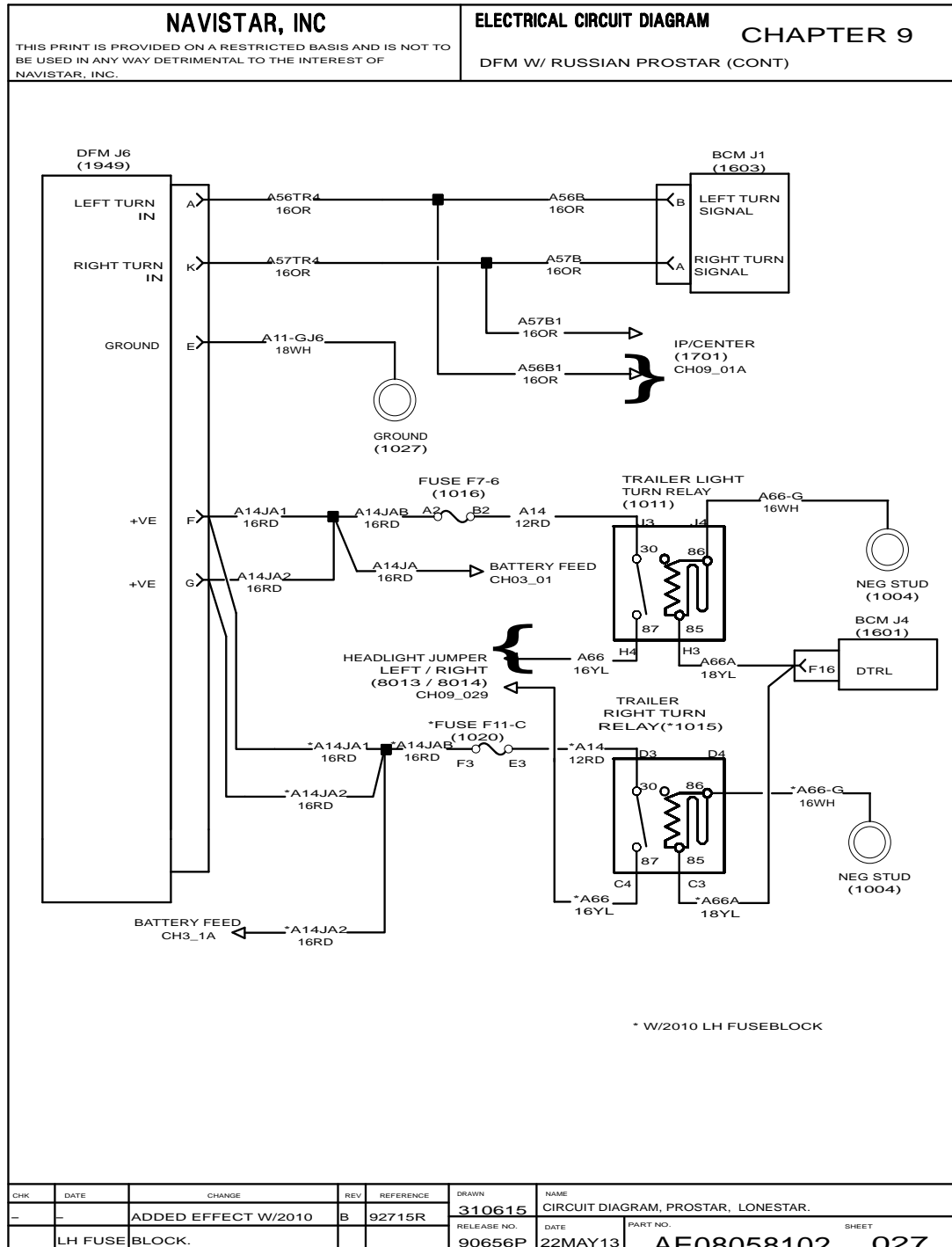


Figure 271 DFM with Russian ProStar (Cont.)

9.49. DFM WITH RUSSIAN PROSTAR (CONT.), P. 28

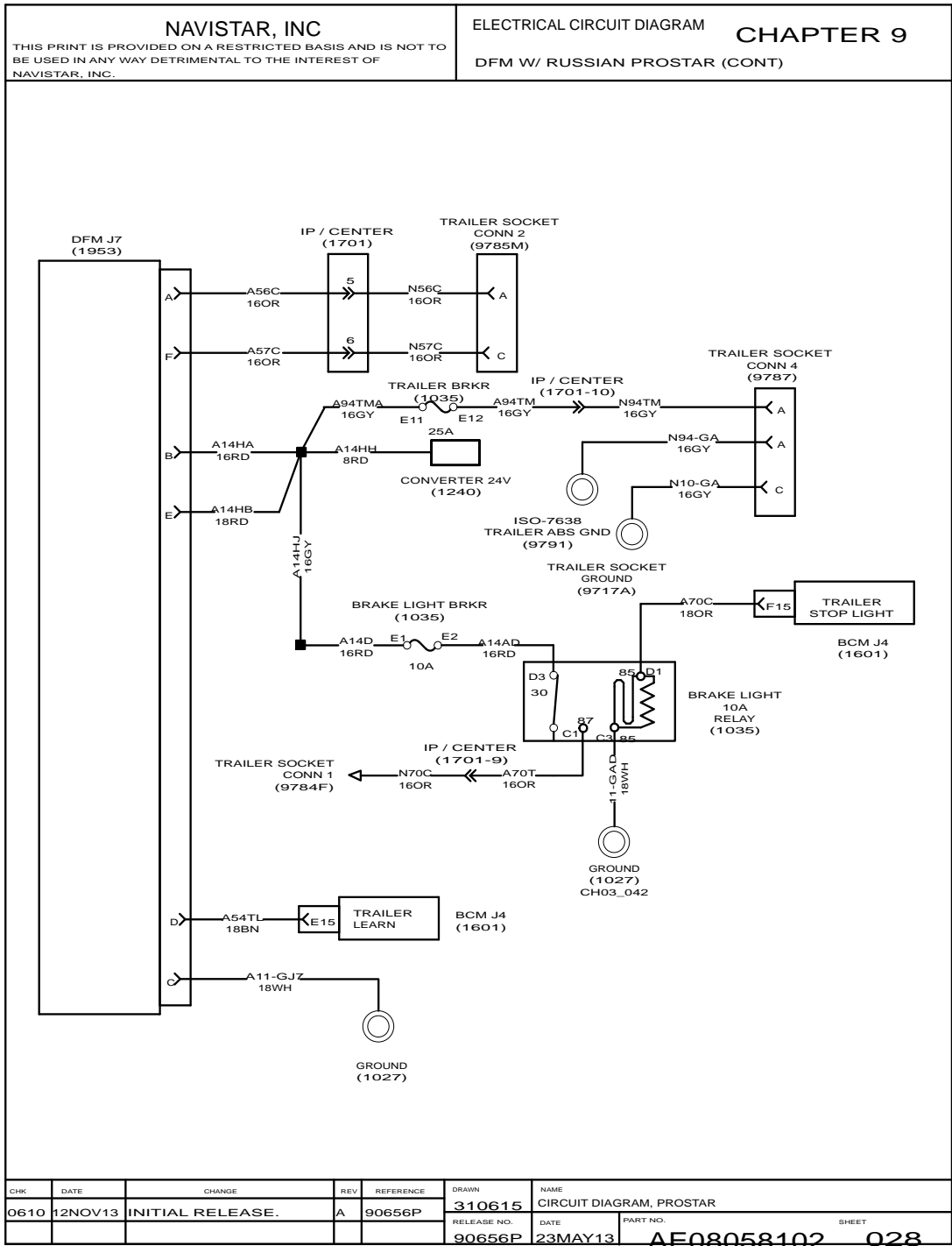


Figure 272 DFM with Russian ProStar (Cont.)



9.50. LOW BEAM FEEDBACK WITH RUSSIAN PROSTAR, P. 29

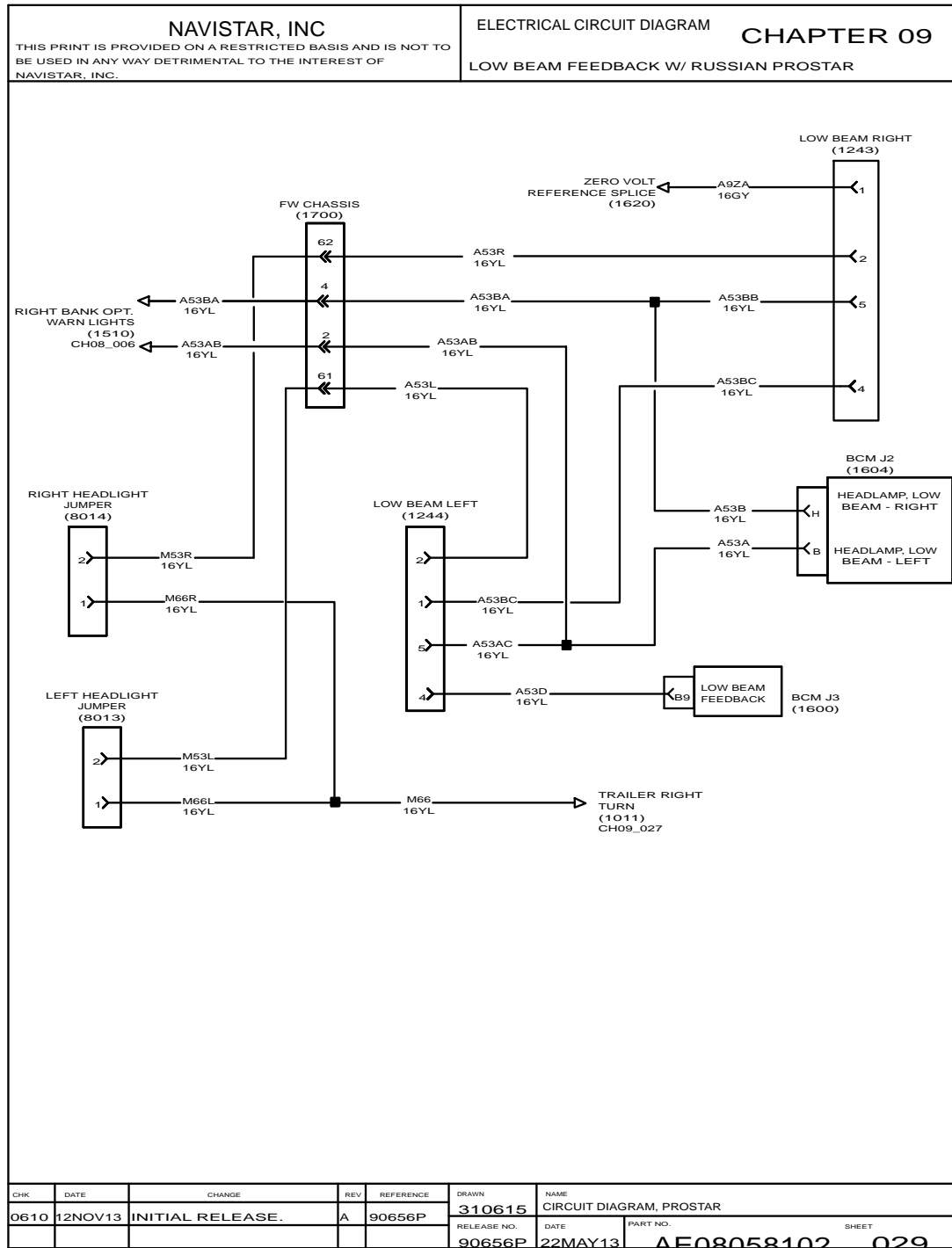


Figure 273 Low Beam Feedback with Russian ProStar

9.51. MARKER LIGHT WITH DFM WITH RUSSIAN PROSTAR, P. 30

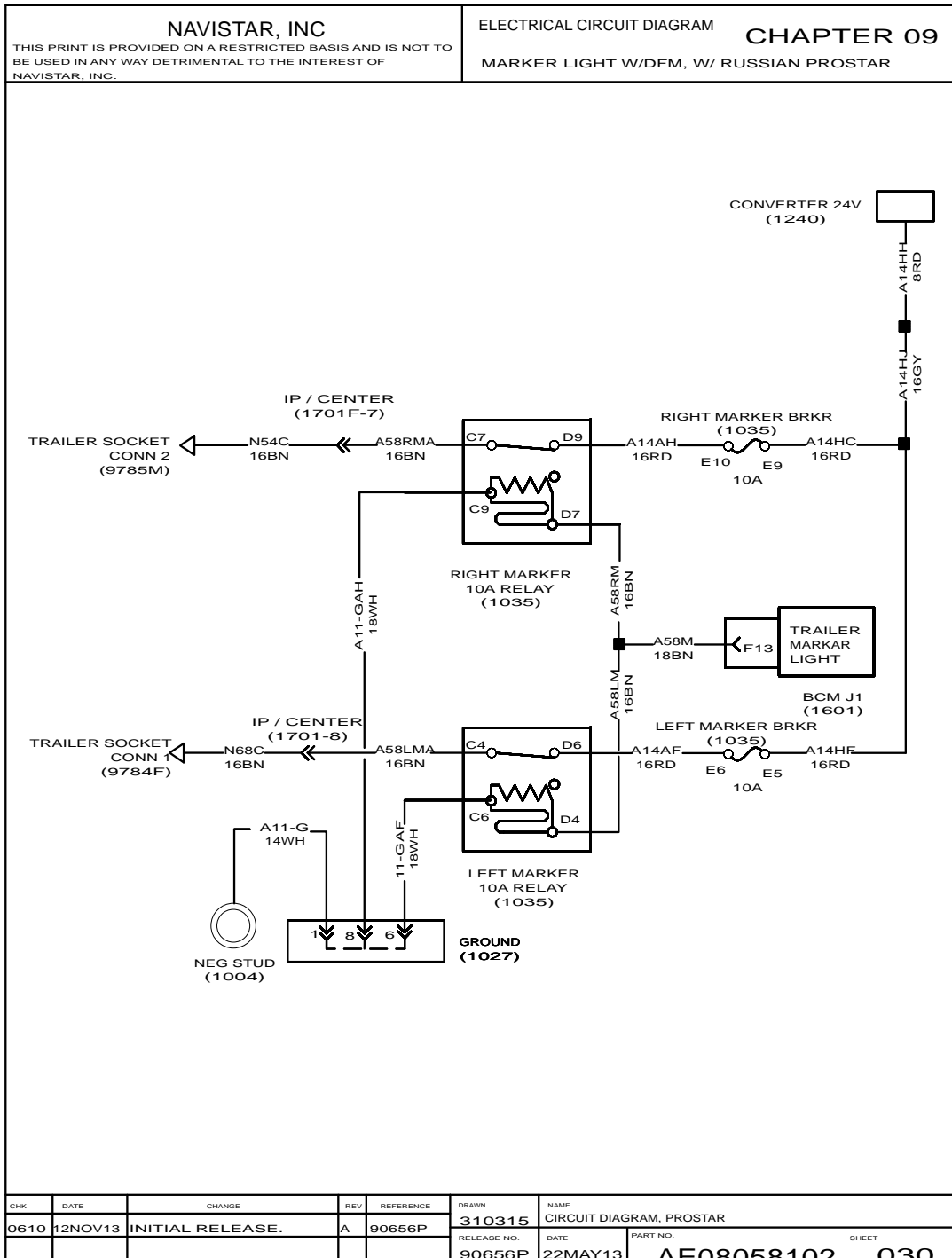


Figure 274 Marker Light with DFM with Russian ProStar

9.52. HEADLIGHTS, P. 31

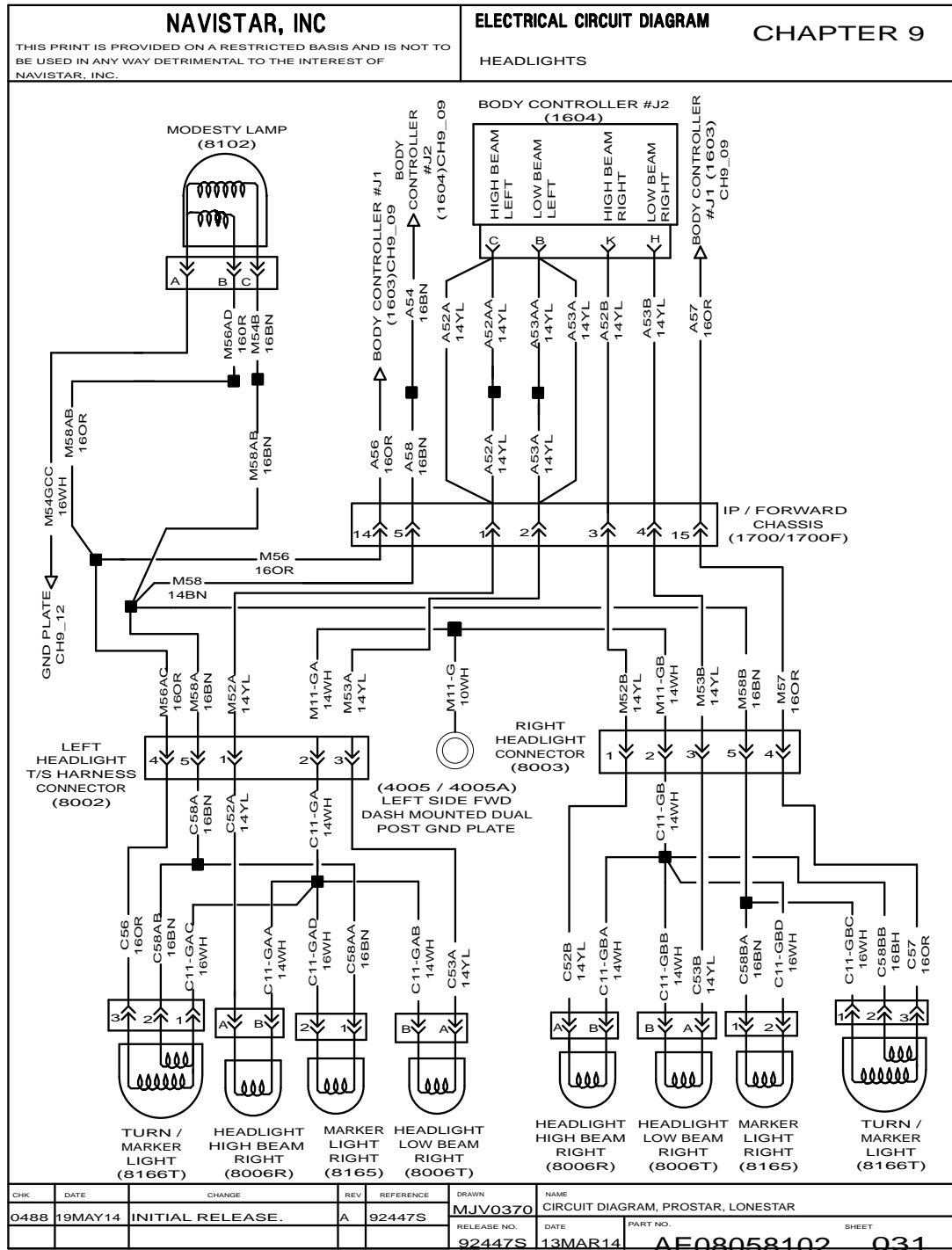


Figure 275 Headlights

9.53. FOG LIGHT LONESTAR SE, P. 32

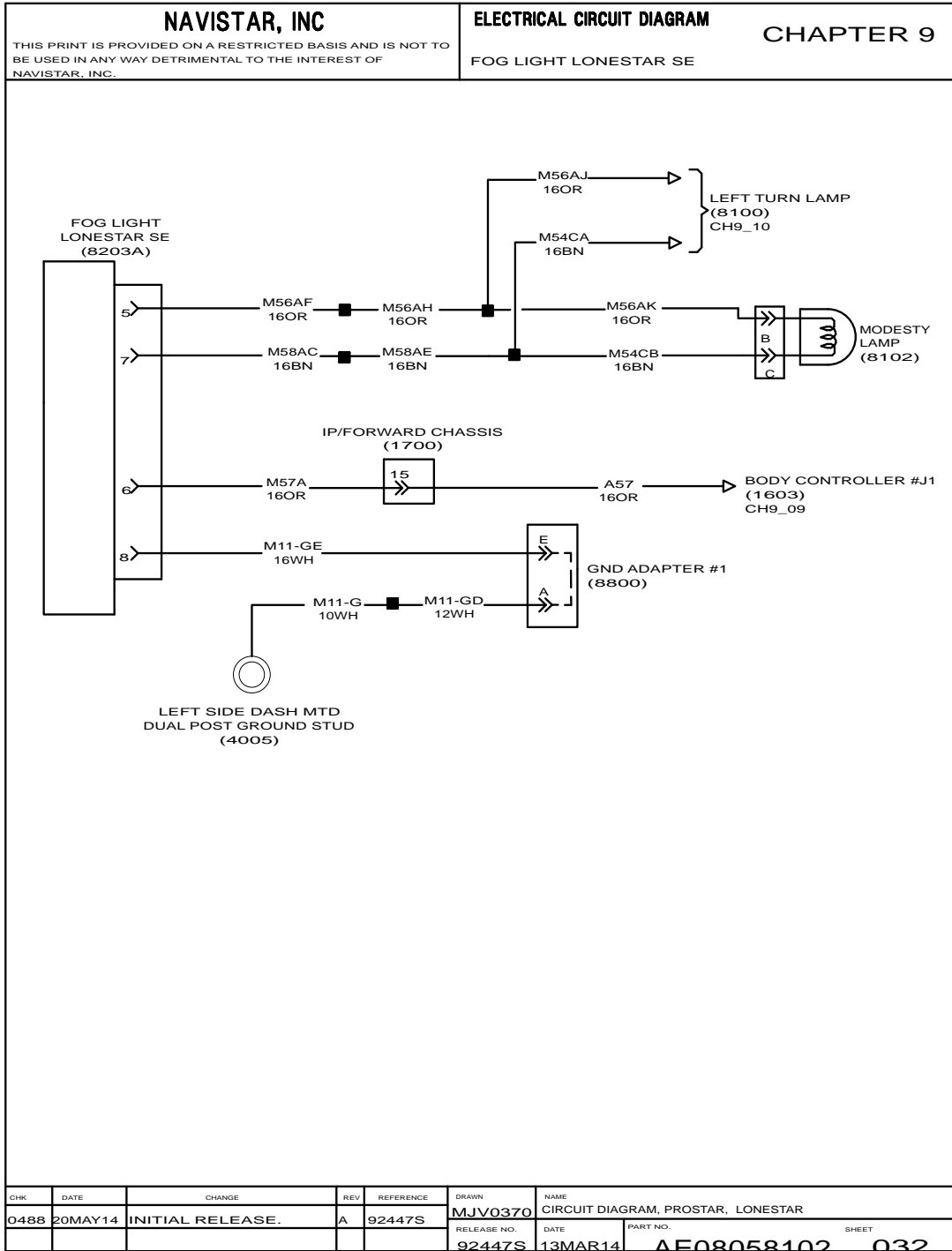


Figure 276 Fog Light LoneStar SE

9.54. LIGHTS – STOP, TAIL, TURN AND BACK-UP (6 X 4), P. 33

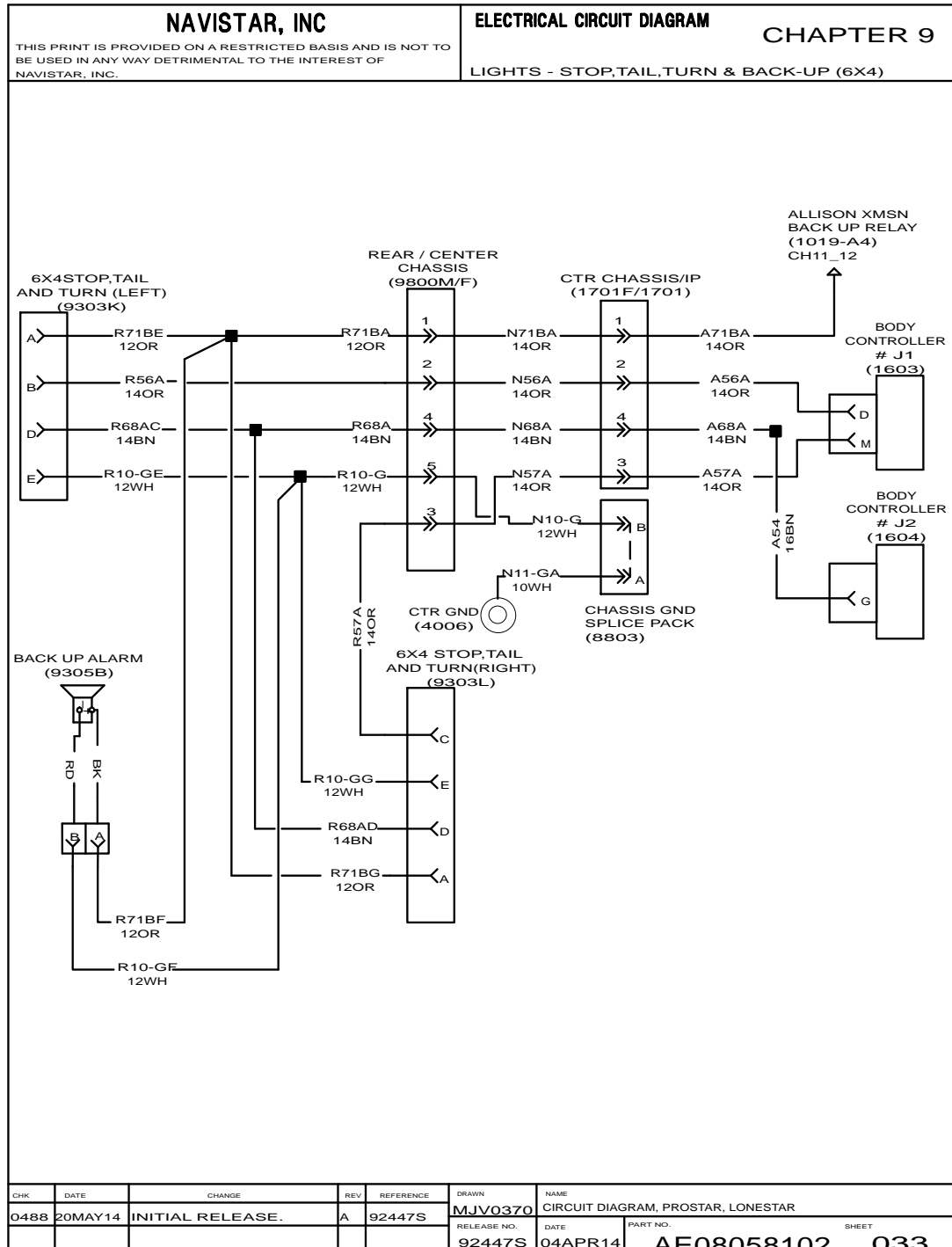


Figure 277 Lights – Stop, Tail, Turn and Back-Up (6 X 4)

9.55. LIGHTS – STOP, TAIL, TURN AND BACK-UP (6 X 4) (CONT.), P. 34

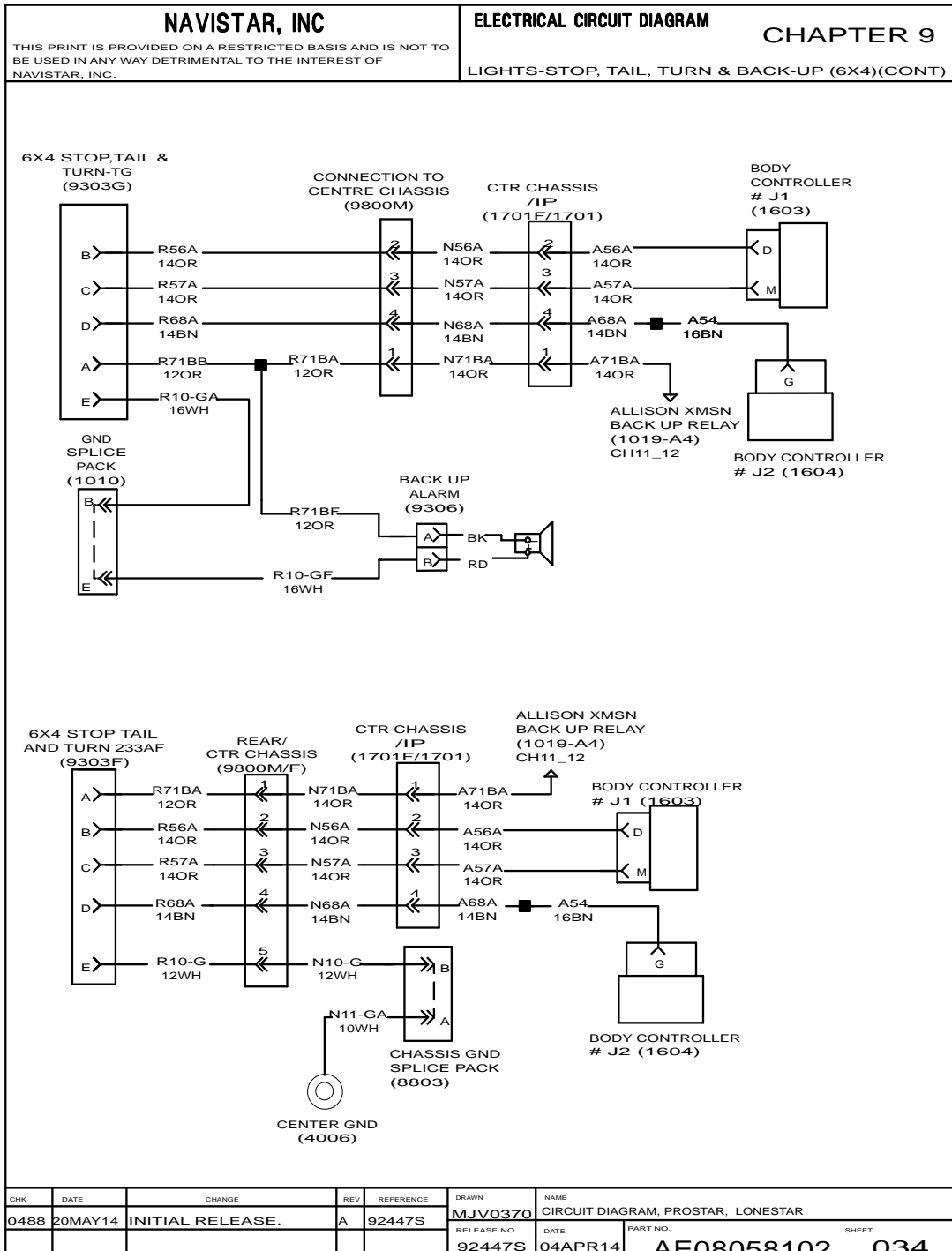


Figure 278 Lights – Stop, Tail, Turn and Back-Up (6 X 4) (Cont.)

9.56. LIGHTS – STOP, TAIL, TURN AND BACK-UP (4 X 2), P. 35

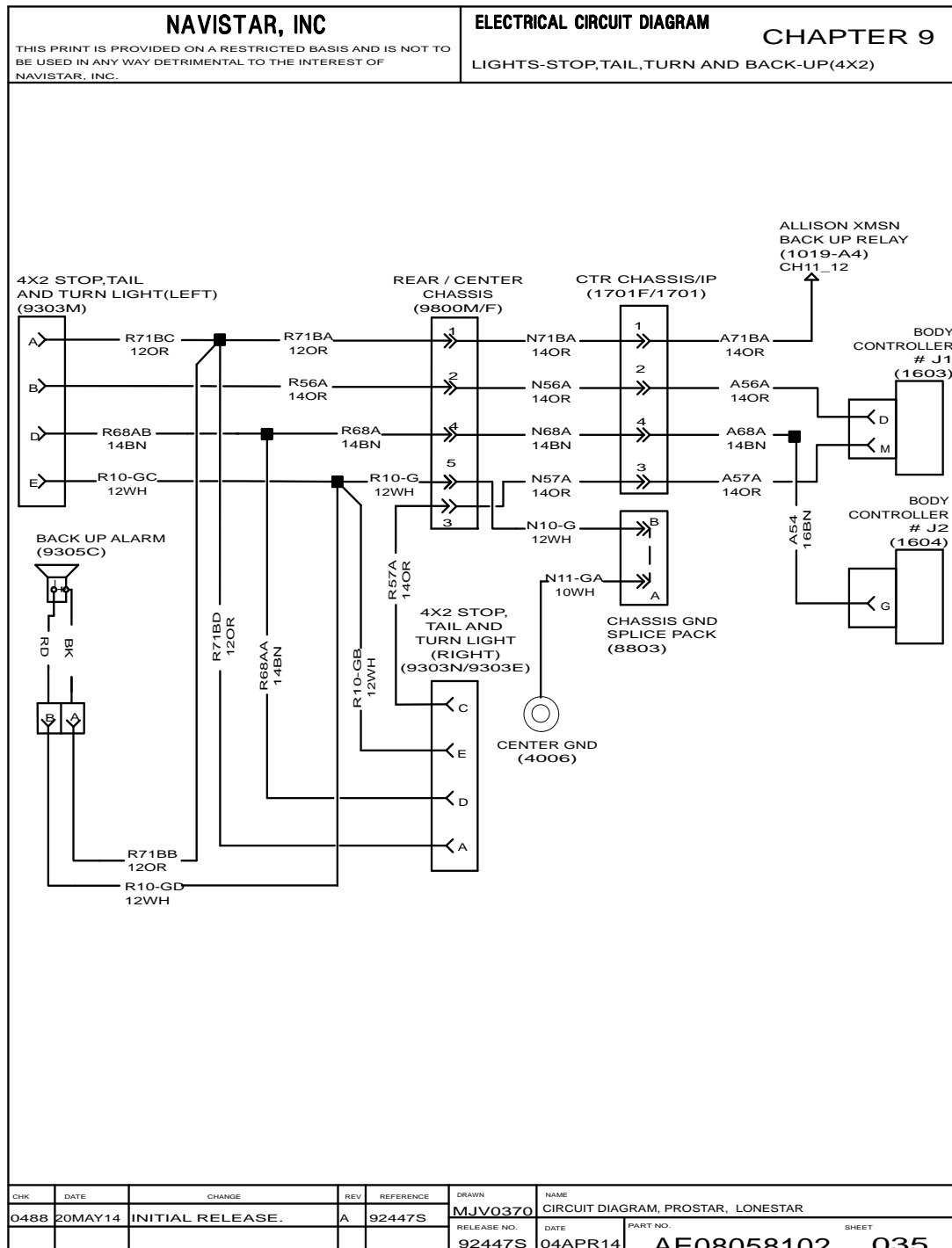


Figure 279 Lights – Stop, Tail, Turn and Back-Up (4 X 2)

9.57. TURN SIGNAL WITH SCR WITH BENDIX LANE DEPART, P. 36

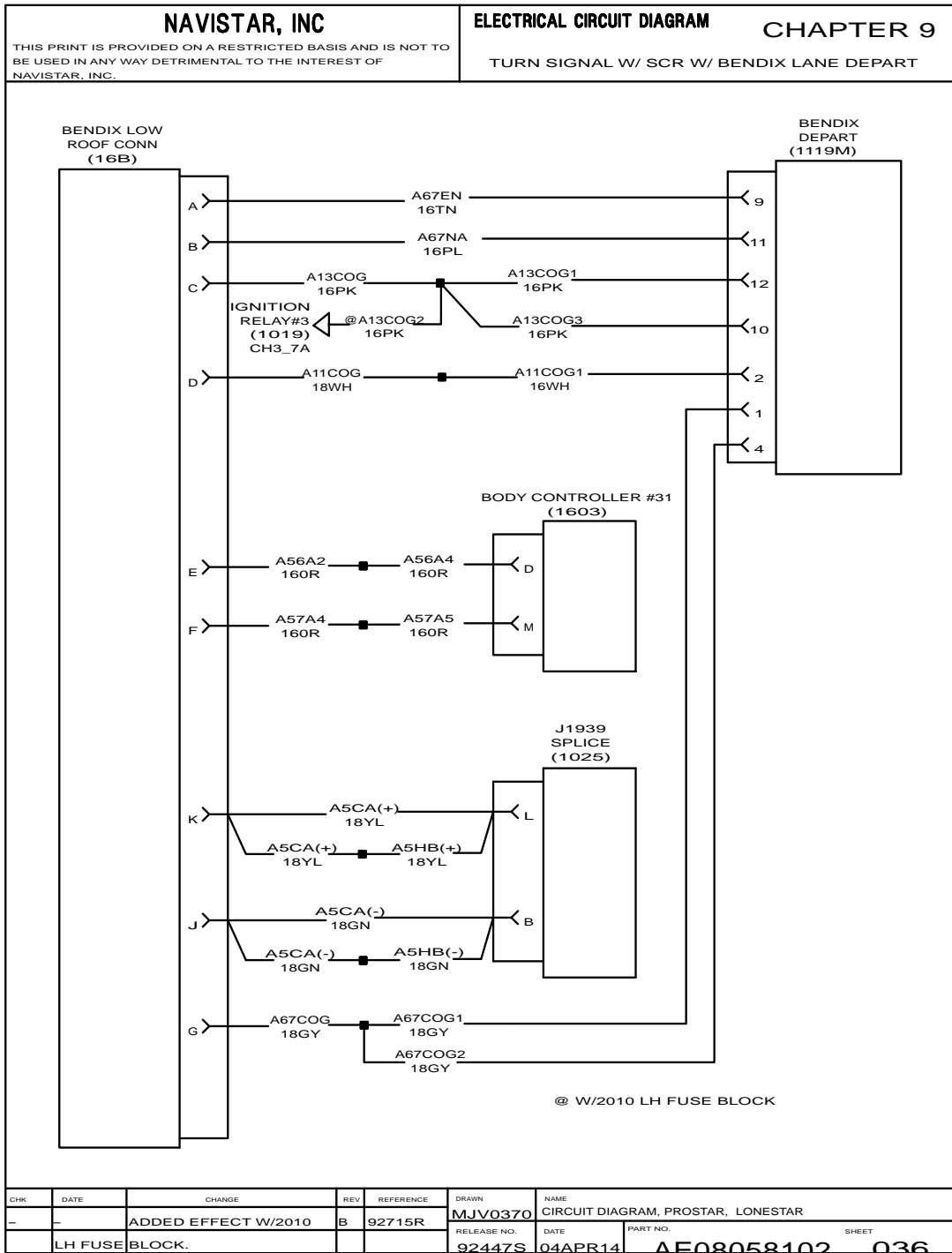


Figure 280 Turn Signal with SCR with Bendix Lane Depart



9.58. MARKER AND MODESTY LIGHTS, P. 37

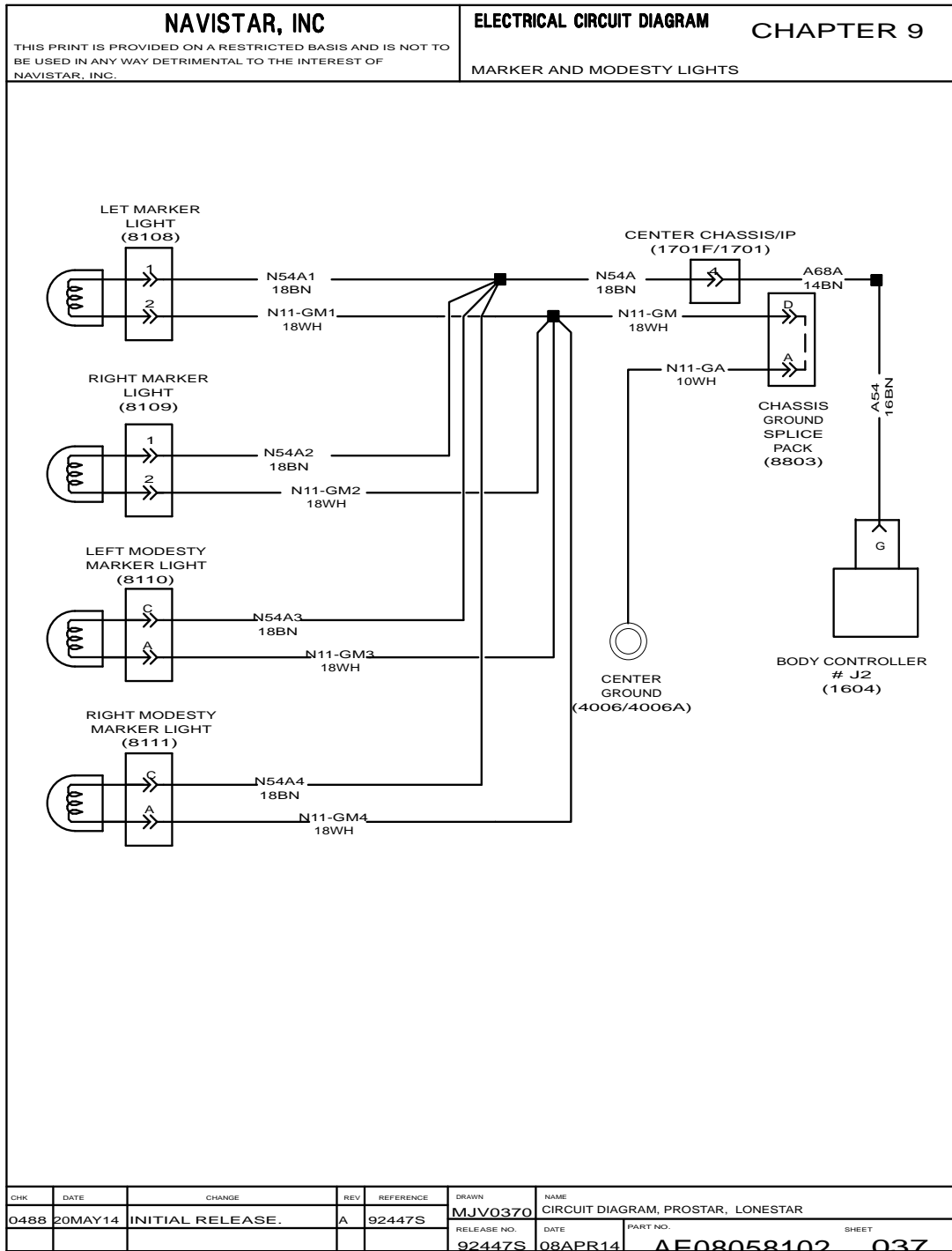


Figure 281 Marker and Modesty Lights

9.59. BEACON LIGHT PROSTAR, P. 38

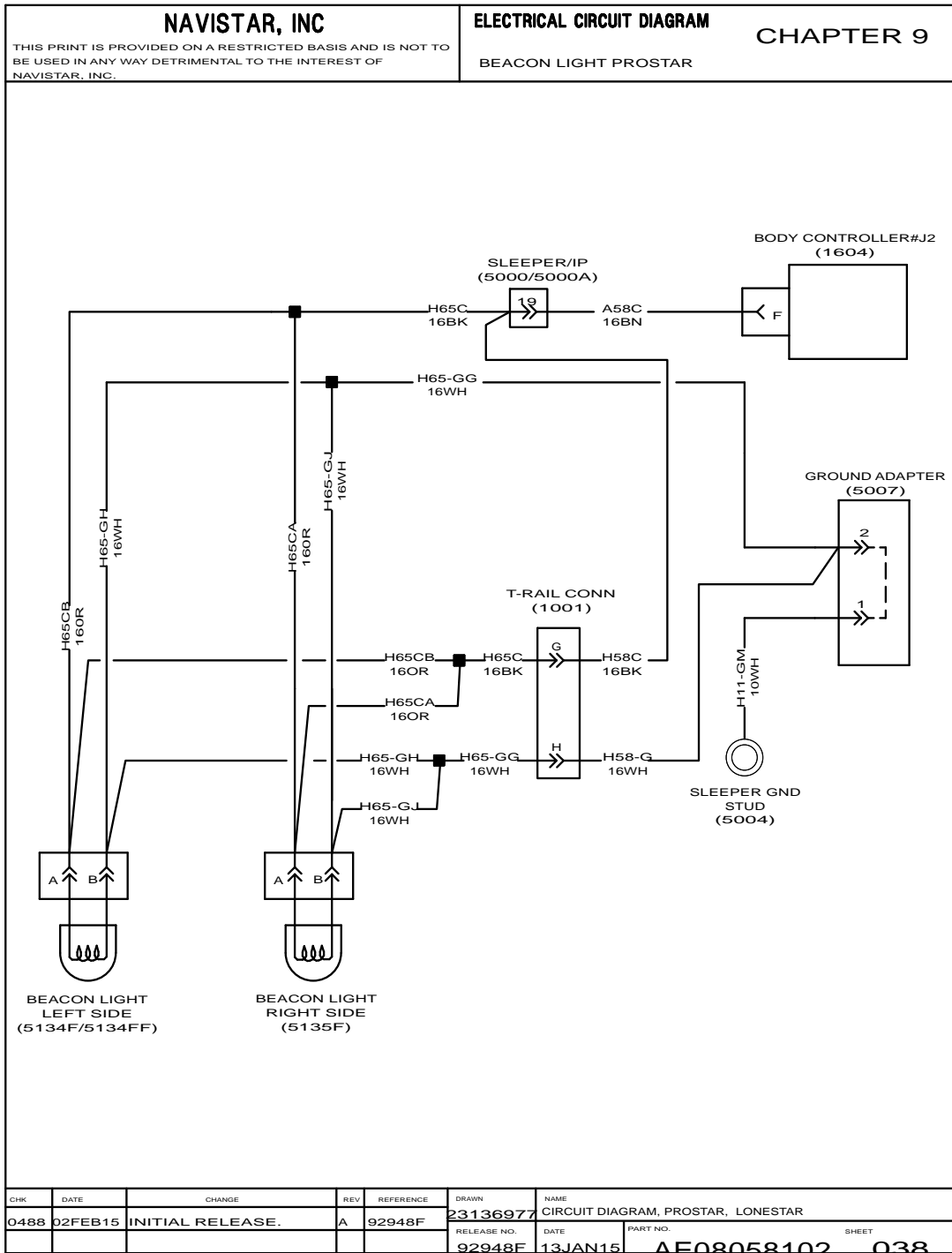


Figure 282 Beacon Light ProStar

9.60. MAP / READING LIGHT (BENDIX FUSION), P. 39

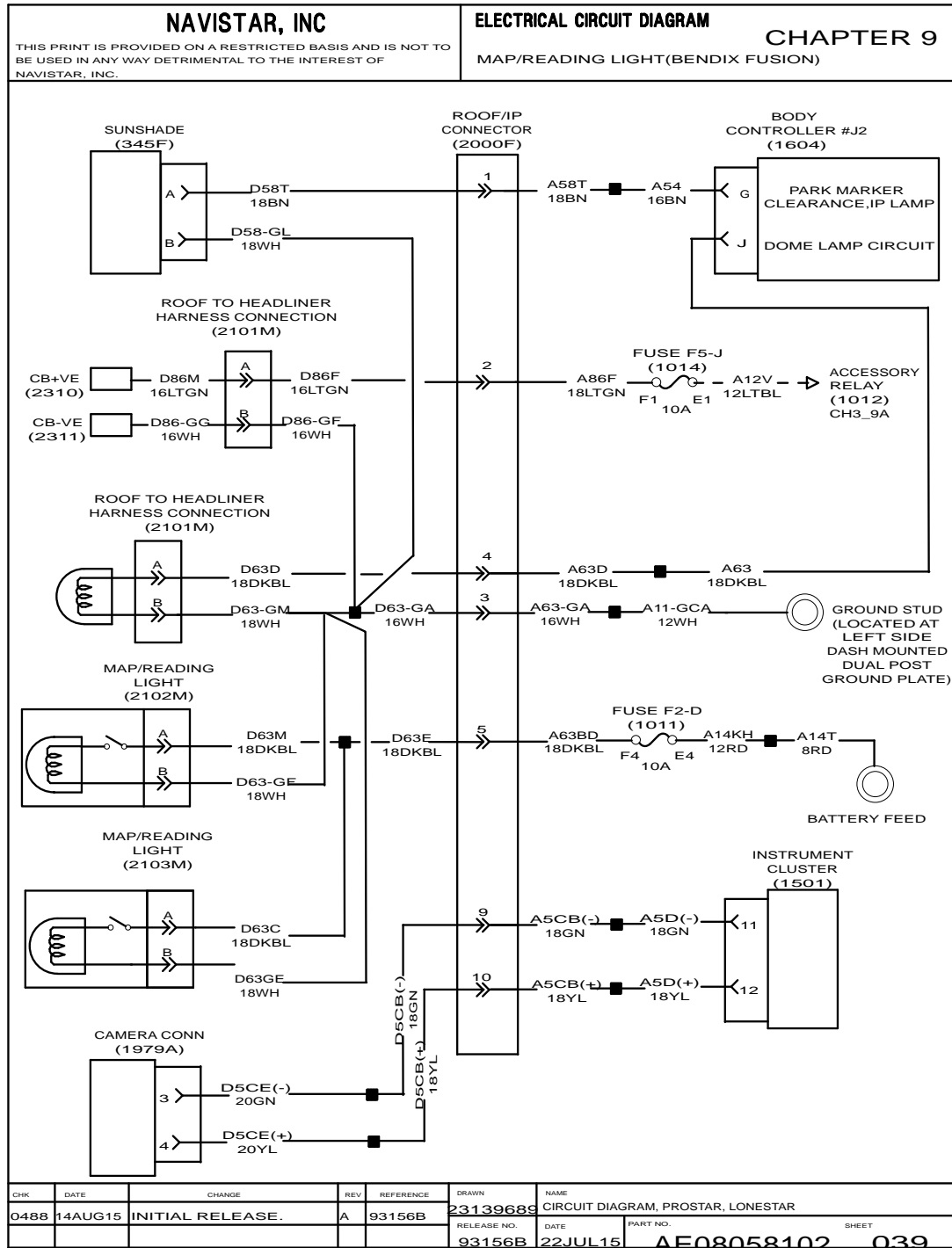


Figure 283 Map / Reading Light (Bendix Fusion)

9.61. BENDIX DEPART (SMART CRUISE WITH BENDIX FUSION) , P. 40

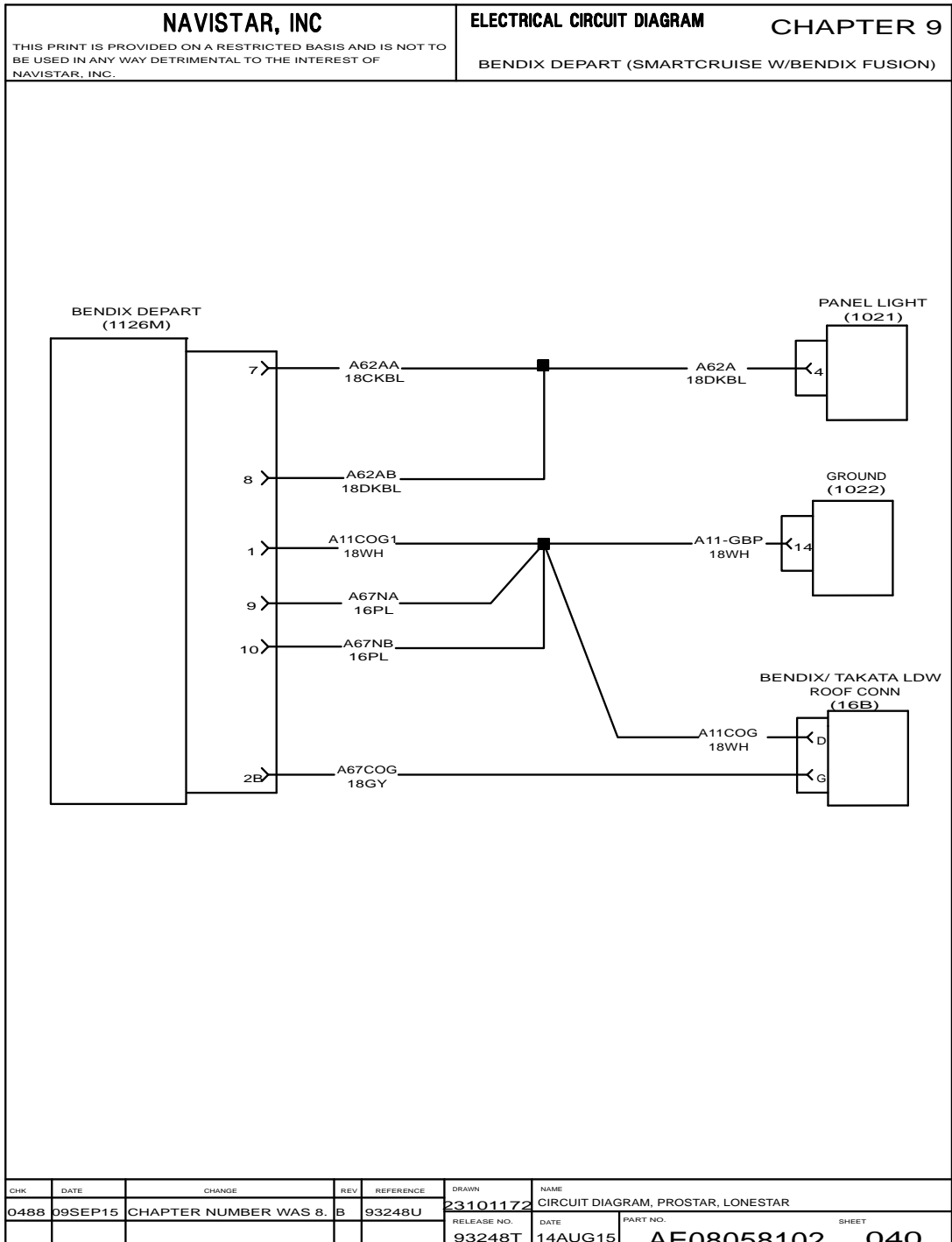


Figure 284 Bendix Depart (Smart Cruise with Bendix Fusion)

# CHASSIS ACCESSORIES (CHAPTER 10)

## 10.1. TIRE PRESSURE MONITOR / ANTENNA, P. 1

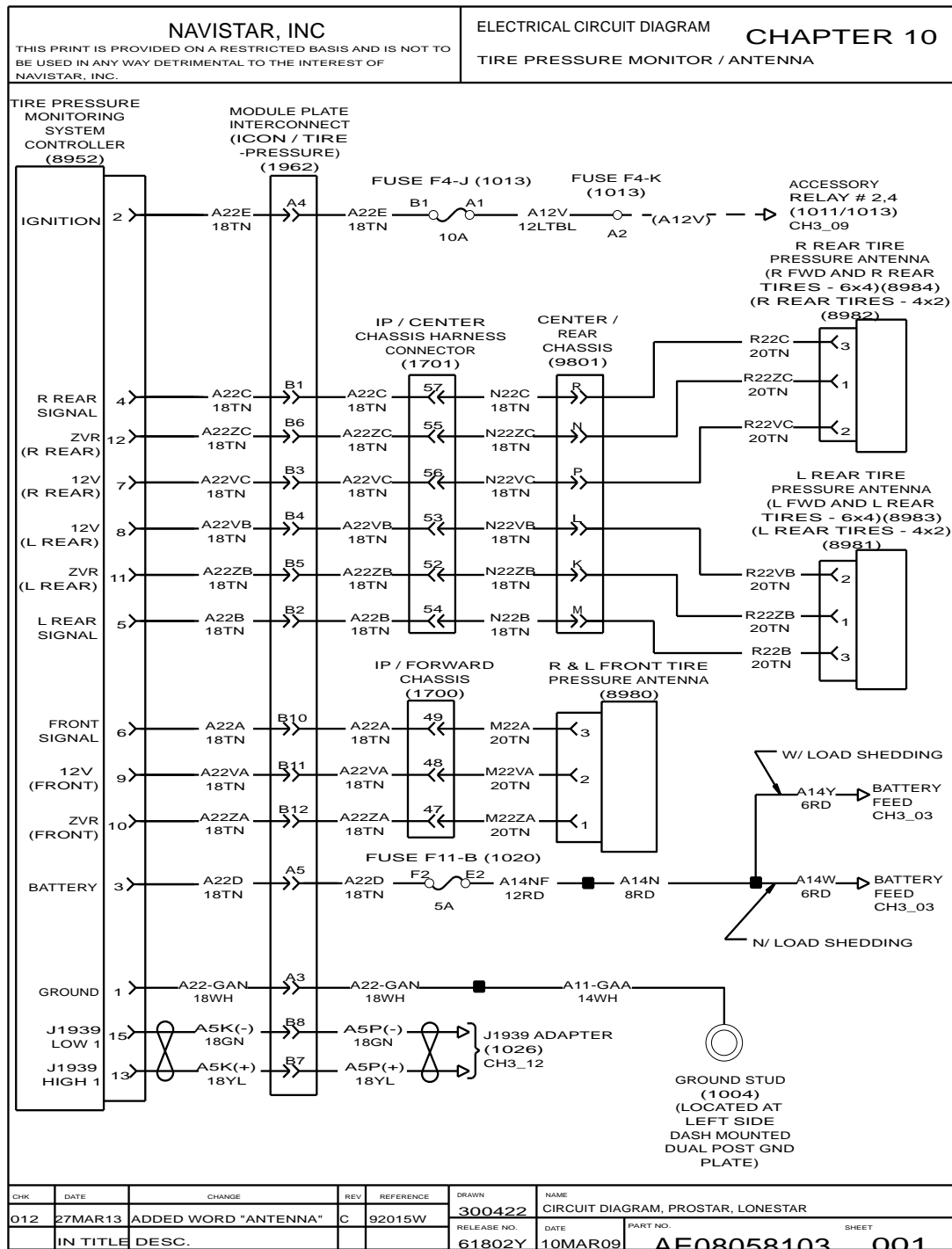


Figure 285 Tire Pressure Monitor / Antenna

CHK	DATE	CHANGE	REV	REFERENCE	DRAWN	NAME
012	27MAR13	ADDED WORD "ANTENNA"	C	92015W	300422	CIRCUIT DIAGRAM, PROSTAR, LONESTAR
					RELEASE NO.	DATE
					61802Y	10MAR09
					PART NO.	SHEET
					AE08058103	001

10.2. AIR DRYER, P. 2

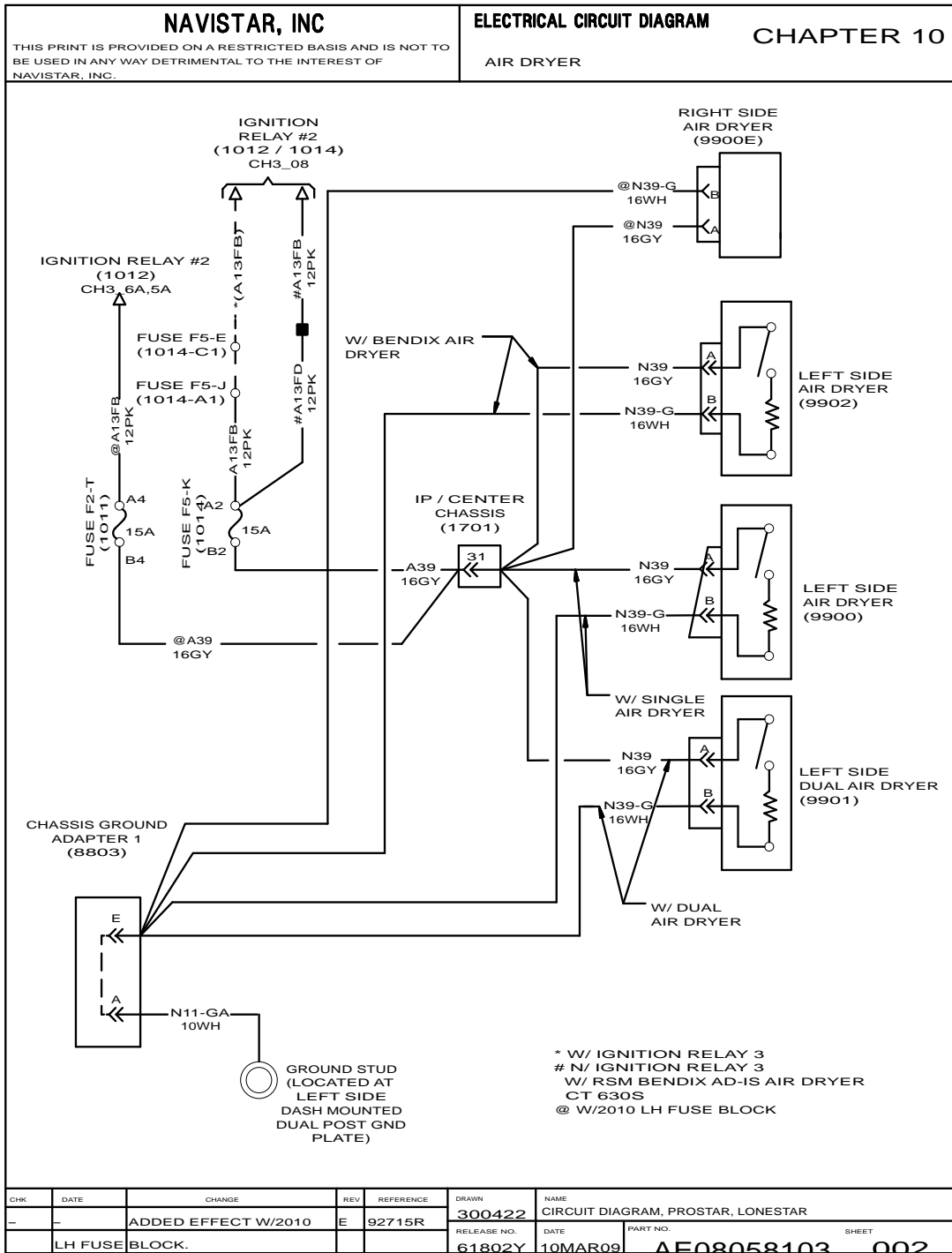


Figure 286 Air Dryer

10.3. AIR SOLENOID PACK – 4 WAY, P. 3

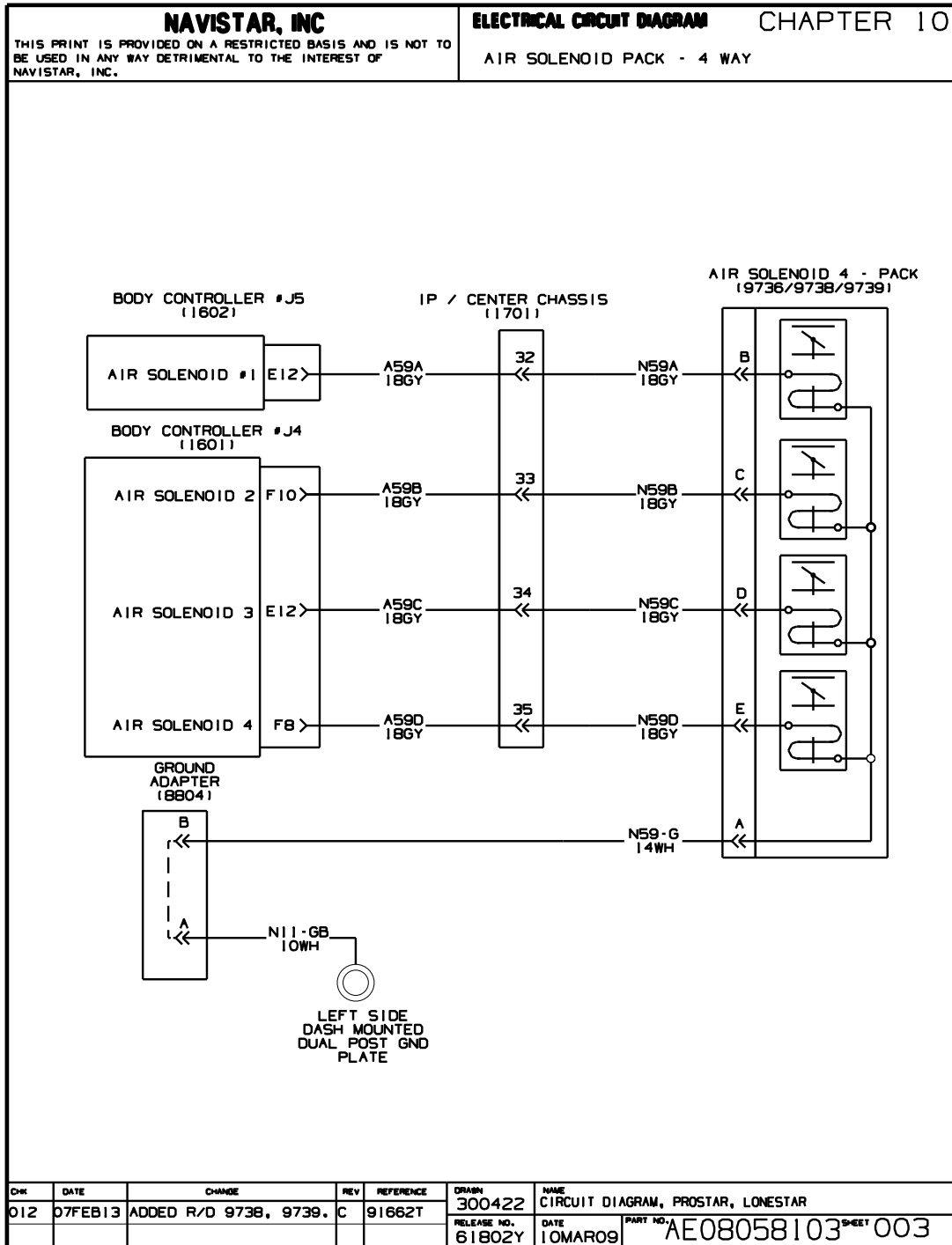


Figure 287 Air Solenoid Pack – 4 Way

10.4. AIR SOLENOID PACK – 4 WAY (CONT.), P. 4

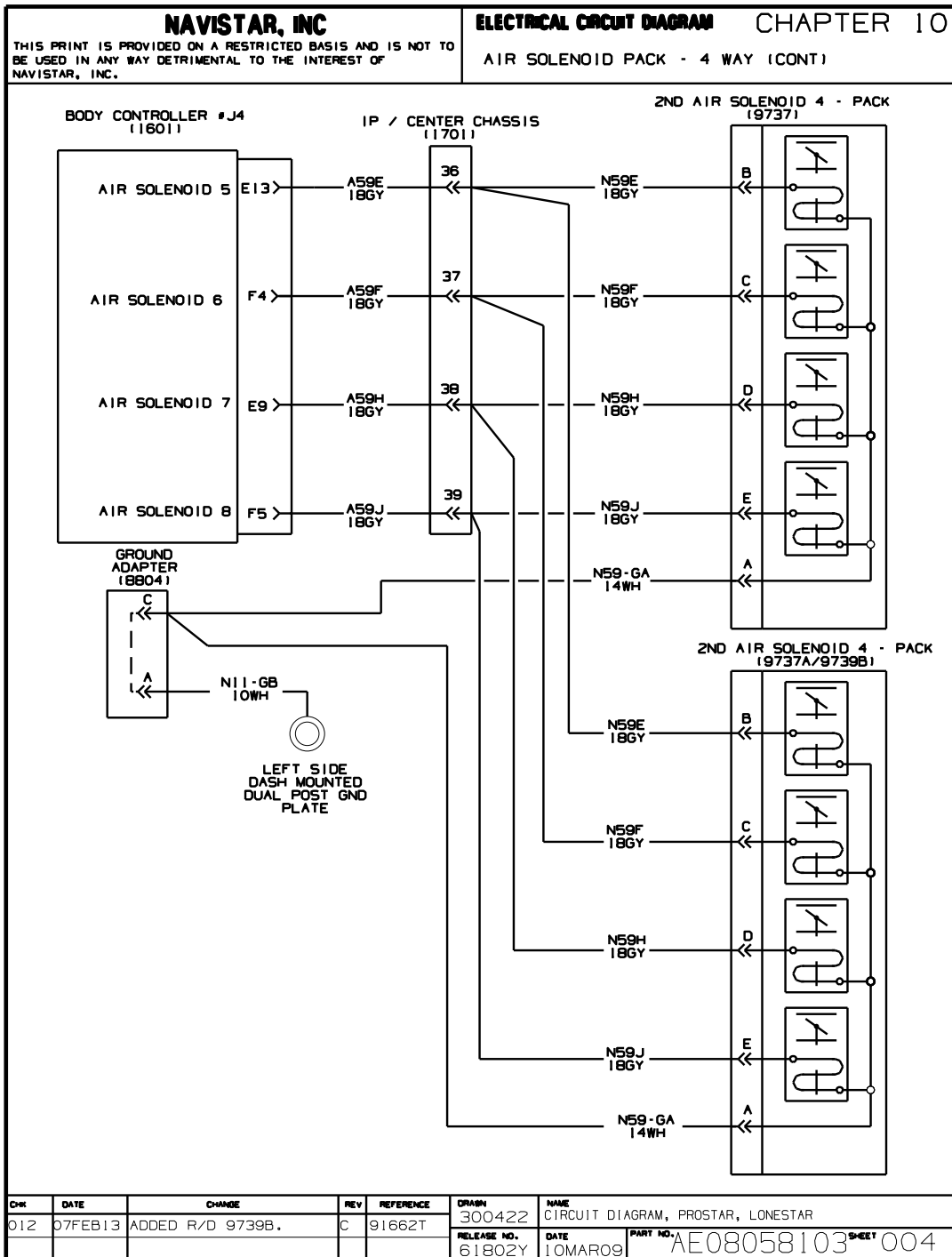


Figure 288 Air Solenoid Pack – 4 Way (Cont.)



10.5. AIR SUSPENSION WITH LOAD INDICATOR, P. 5

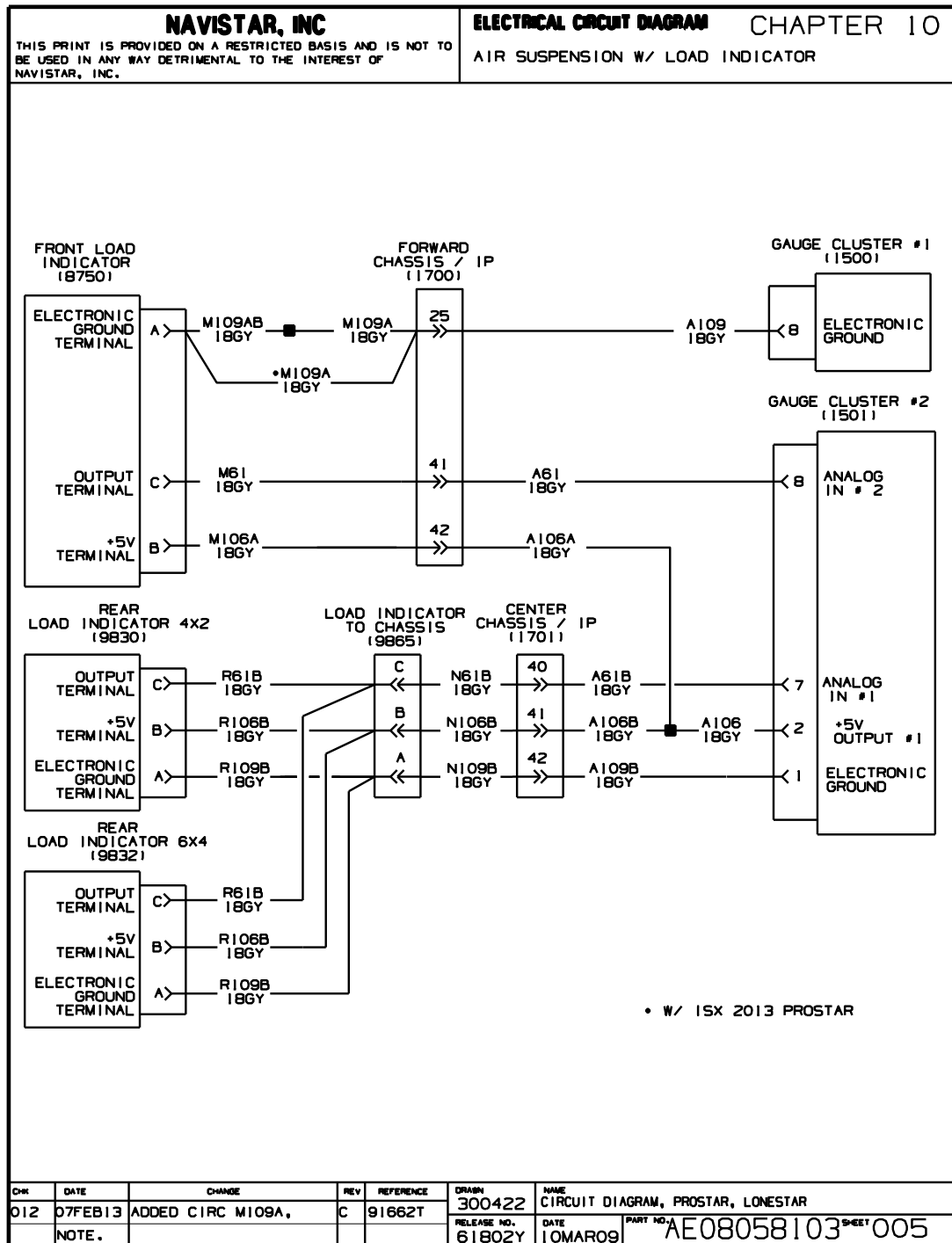


Figure 289 Air Suspension with Load Indicator

10.6. BATTERY FEED – TRAILER AUXILIARY, P. 6

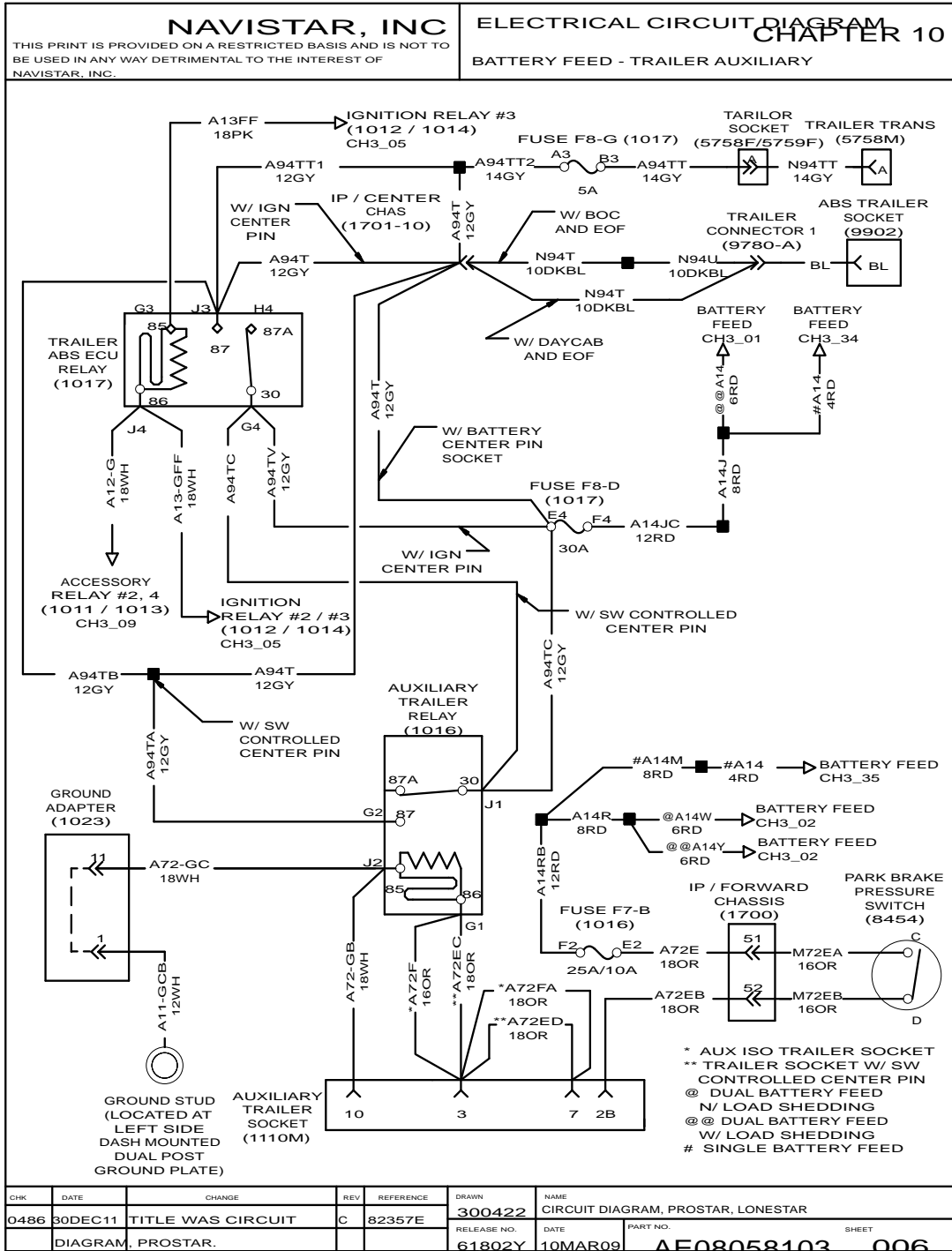


Figure 290 Battery Feed – Trailer Auxiliary

10.7. BATTERY FEED – TRAILER AUXILIARY (CONT.), P. 6A

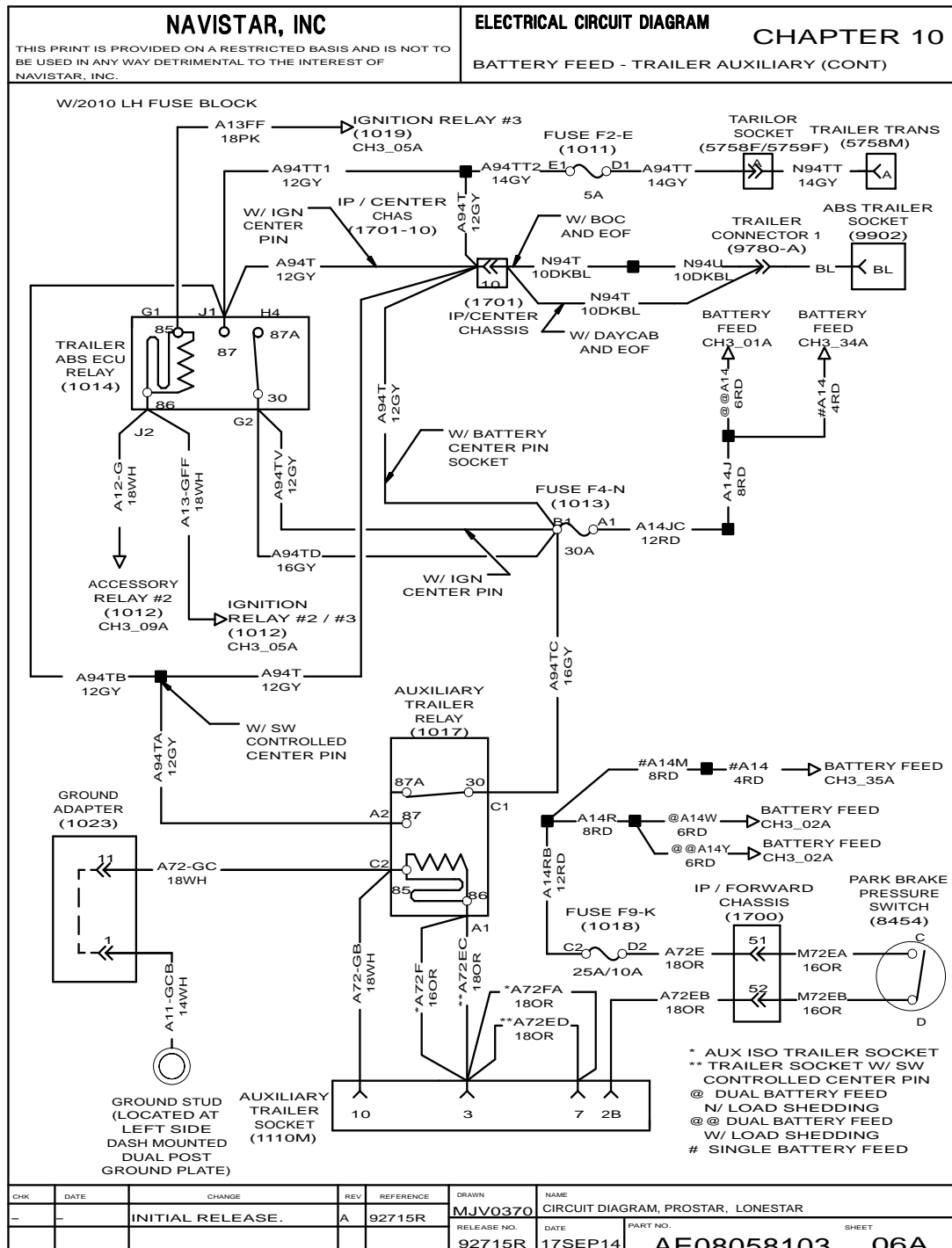


Figure 291 Battery Feed – Trailer Auxiliary (Cont.)

10.8. ANTILOCK BRAKE SYSTEM WITH BENDIX, P. 7

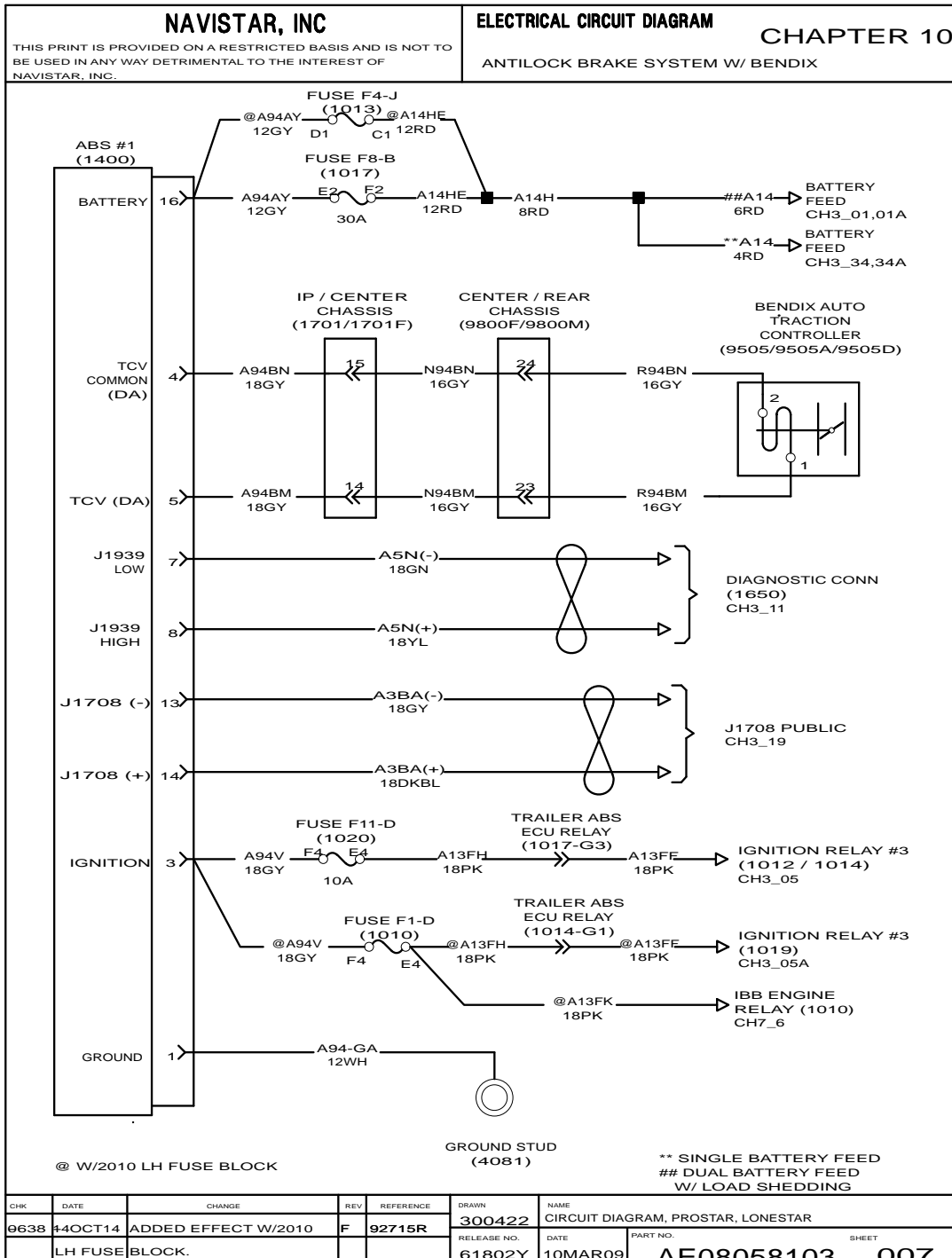


Figure 292 Antilock Brake System with Bendix

10.9. ANTILOCK BRAKE SYSTEM WITH BENDIX (CONT.), P. 8

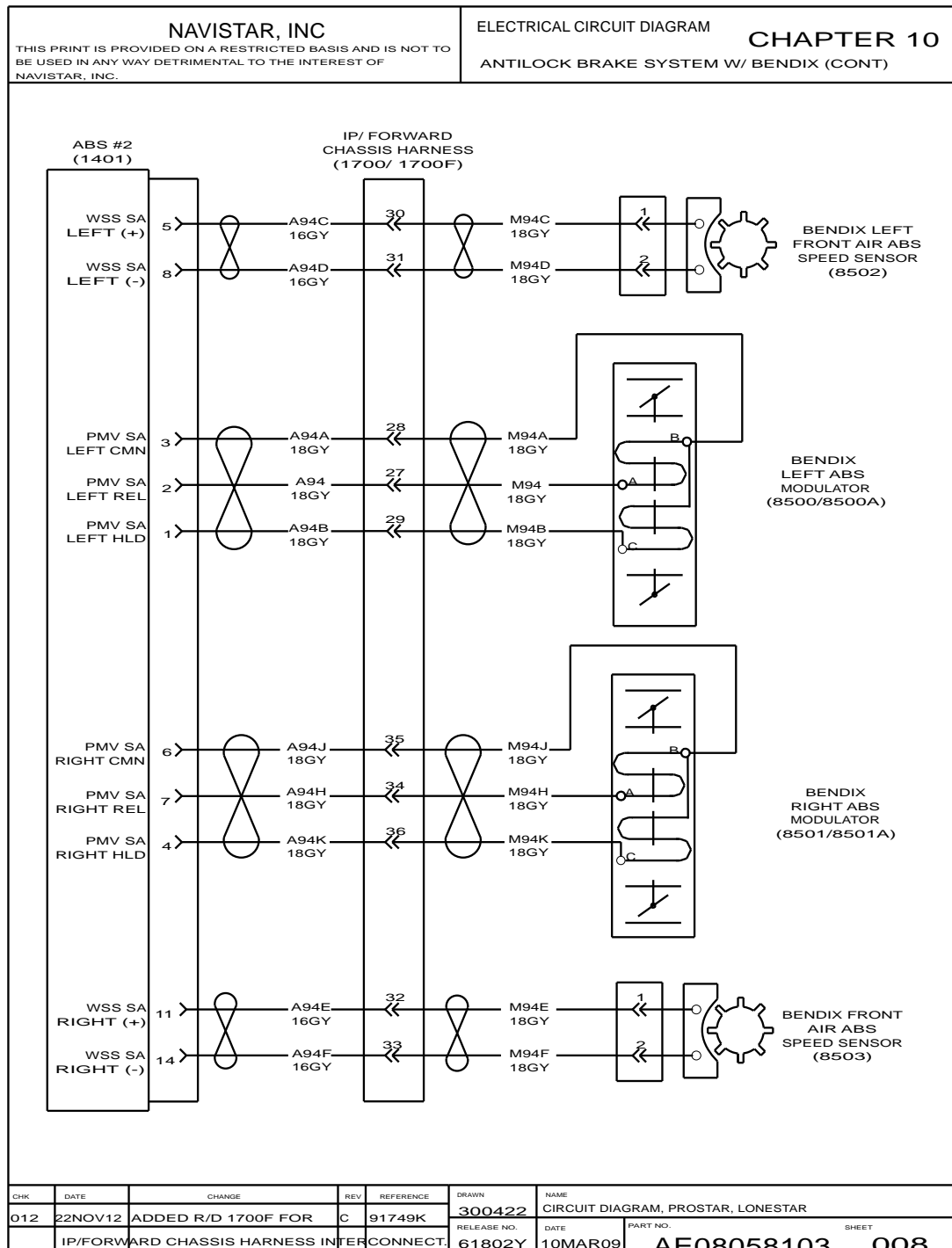


Figure 293 Antilock Brake System with Bendix (Cont.)

10.10. ANTILOCK BRAKE SYSTEM WITH BENDIX (CONT.), P. 9

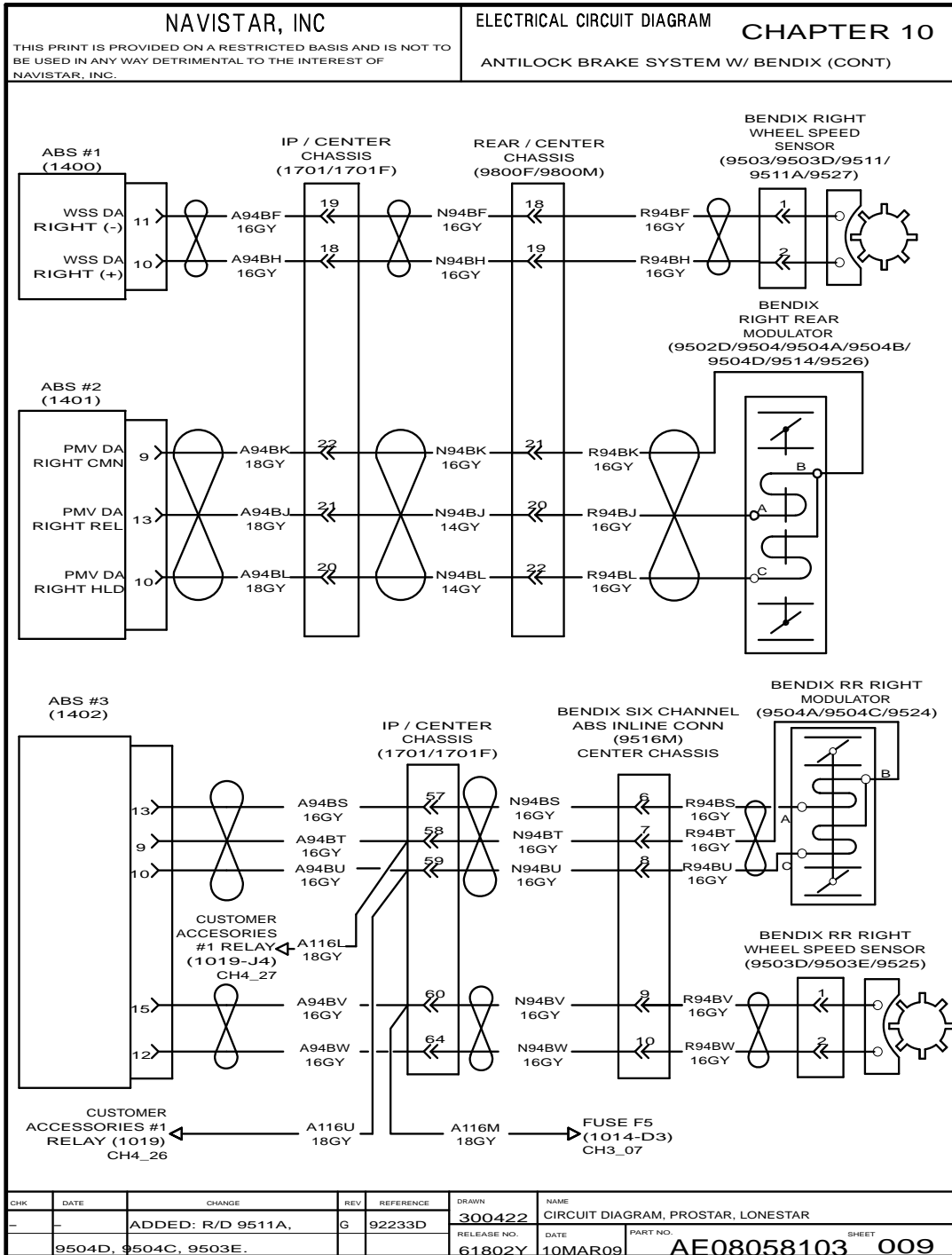


Figure 294 Antilock Brake System with Bendix (Cont.)

10.11. ANTILOCK BRAKE SYSTEM WITH BENDIX (CONT.), P. 10

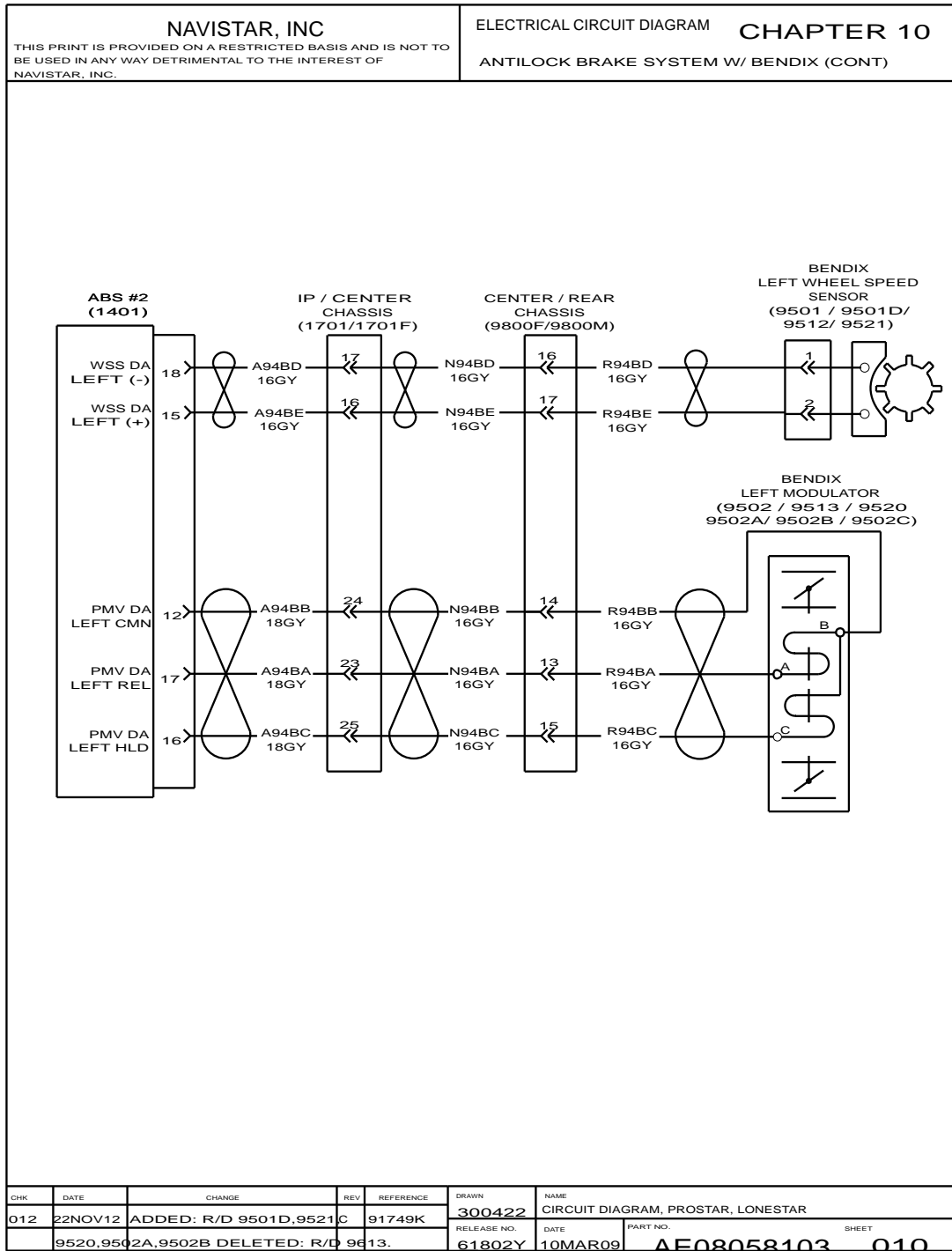


Figure 295 Antilock Brake System with Bendix (Cont.)

10.12. ANTILOCK BRAKE SYSTEM WITH BENDIX (CONT.), P. 10A

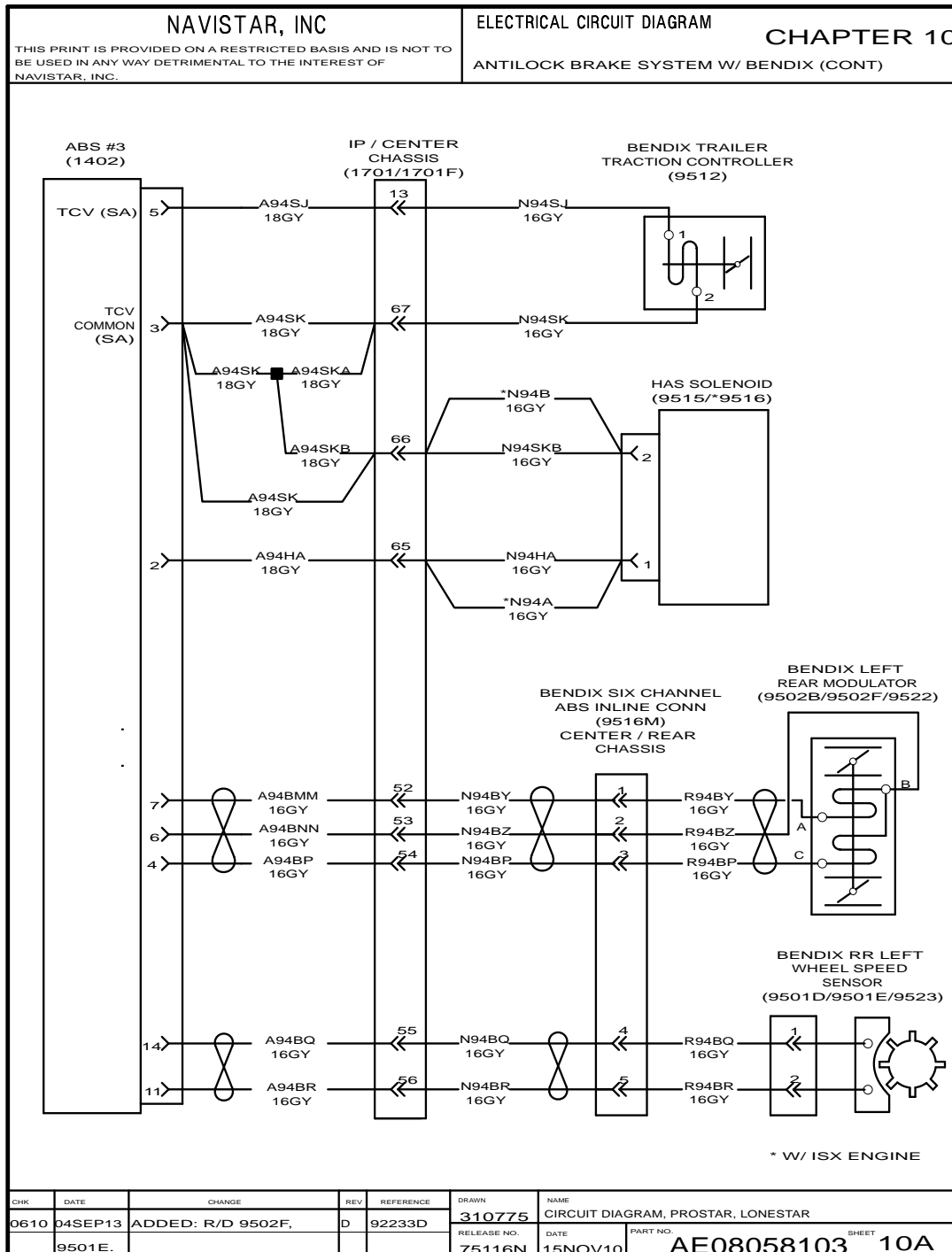


Figure 296 Antilock Brake System with Bendix (Cont.)



10.13. ANTILOCK BRAKE SYSTEM WITH BENDIX (CONT.), P. 11

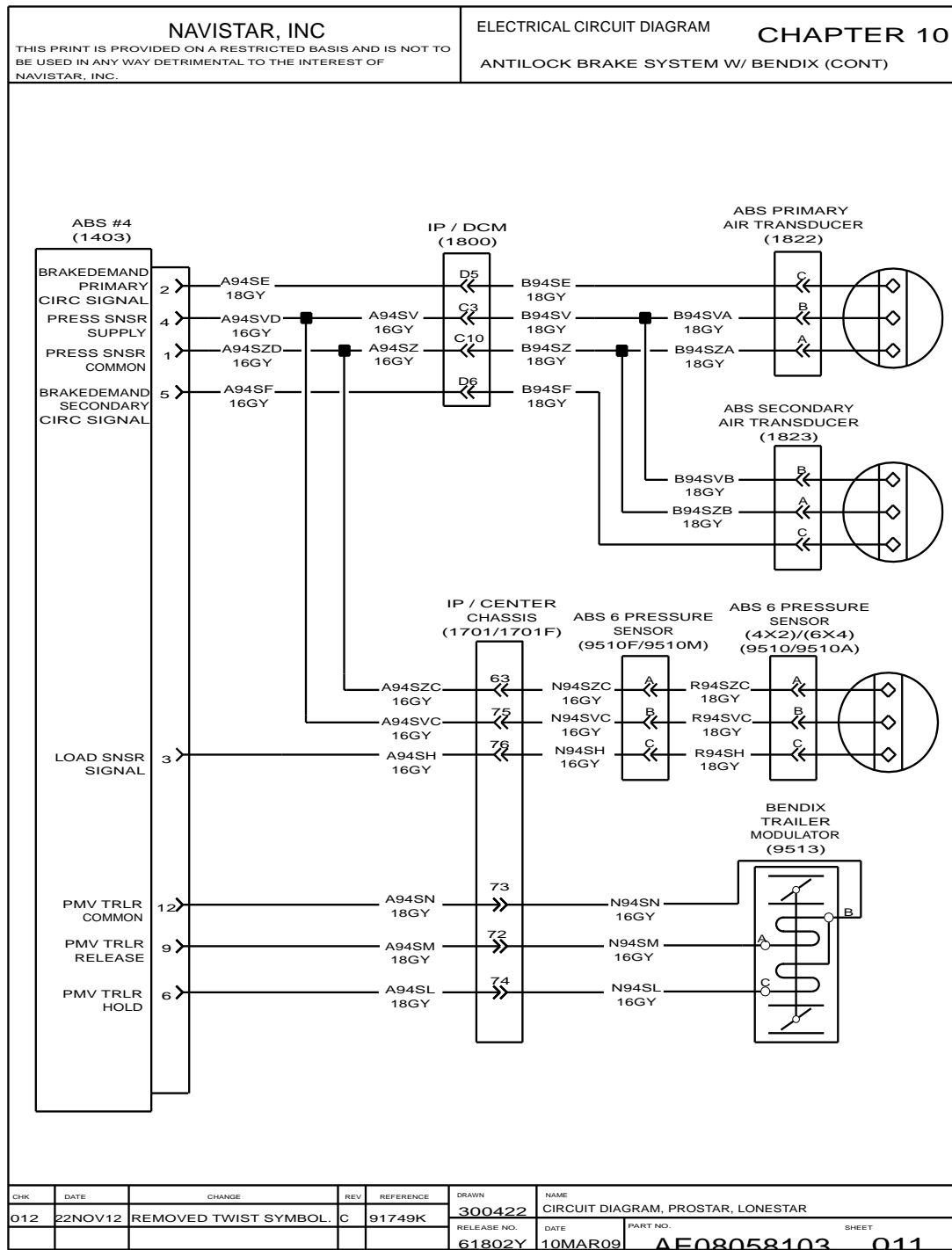


Figure 297 Antilock Brake System with Bendix (Cont.)

10.14. ANTILOCK BRAKE SYSTEM WITH BENDIX (CONT.), P. 12

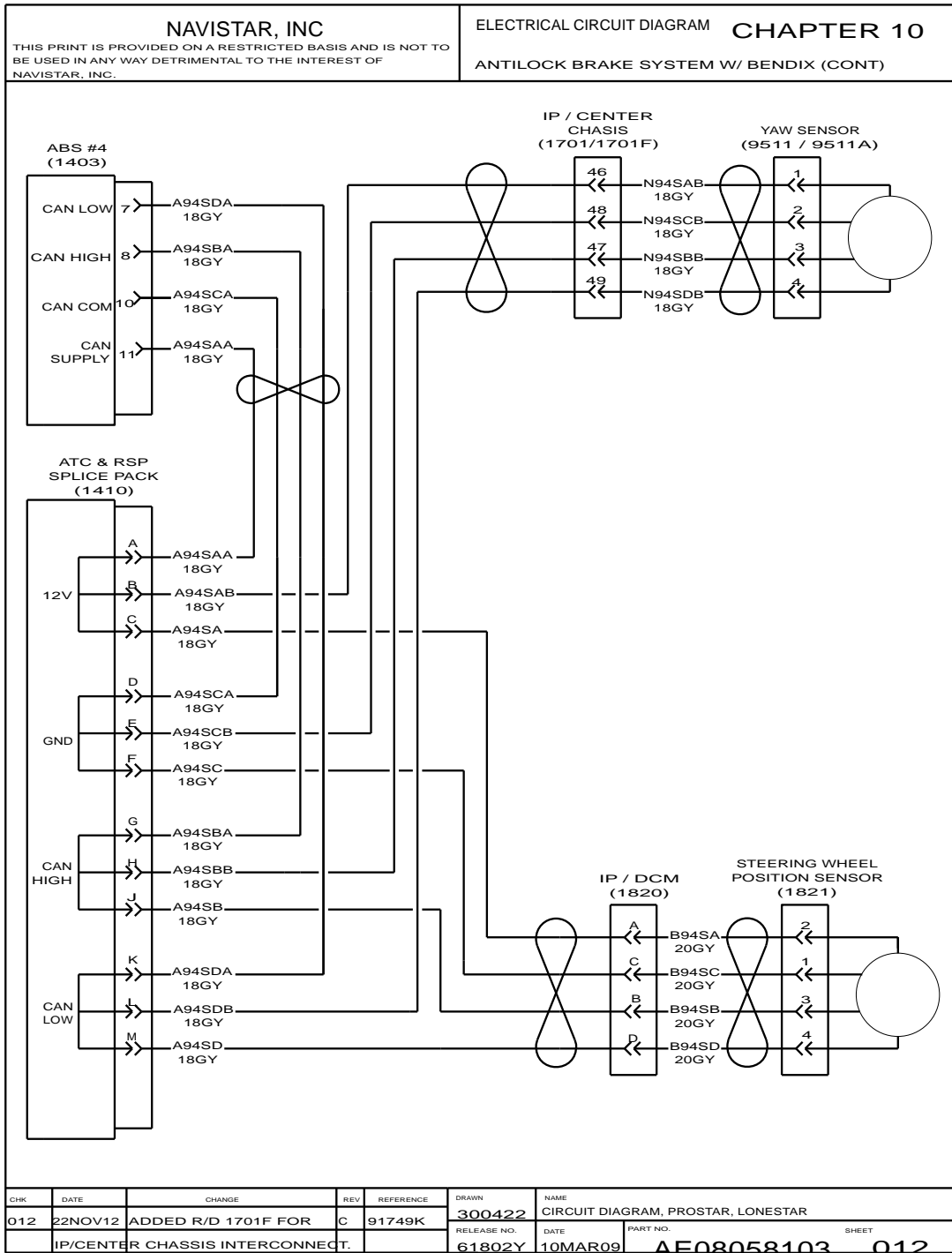


Figure 298 Antilock Brake System with Bendix (Cont.)

10.15. ANTILOCK BRAKE SYSTEM WITH BENDIX (CONT.), P. 12A

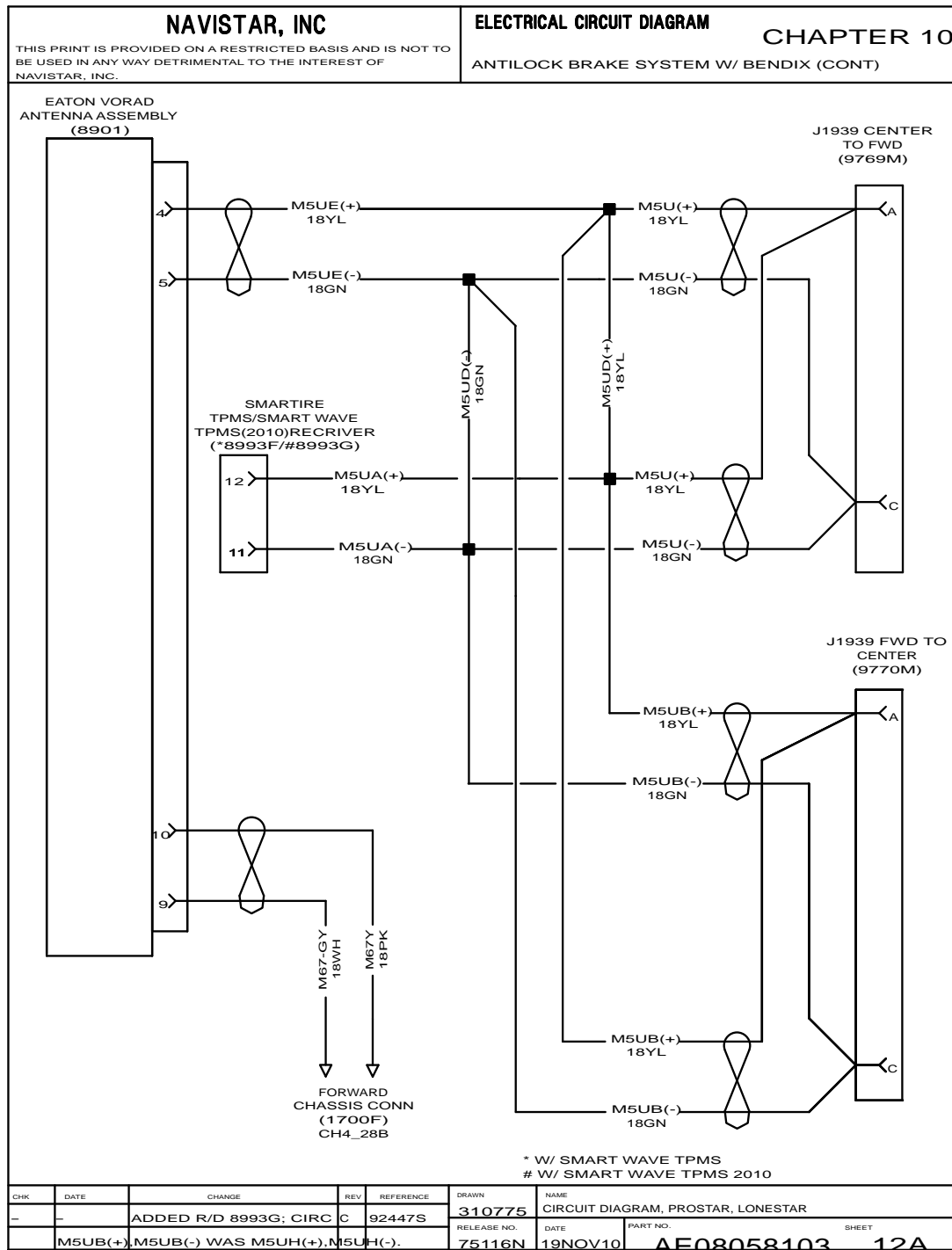


Figure 299 Antilock Brake System with Bendix (Cont.)

10.16. ANTILOCK BRAKE SYSTEM WITH WABCO, P. 12B

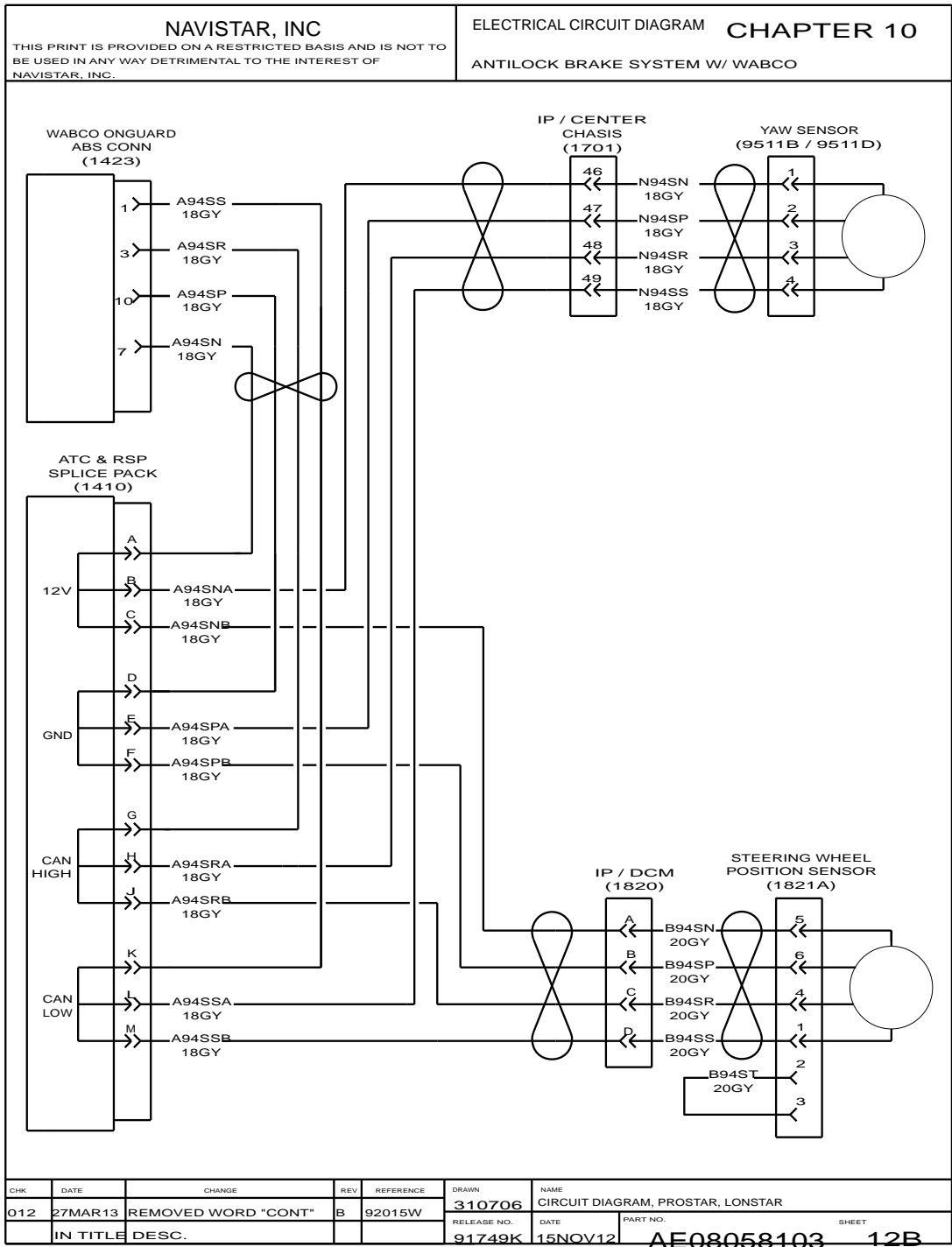


Figure 300 Antilock Brake System with WABCO

10.17. ANTILOCK BRAKE SYSTEM WITH WABCO (CONT.) , P. 13

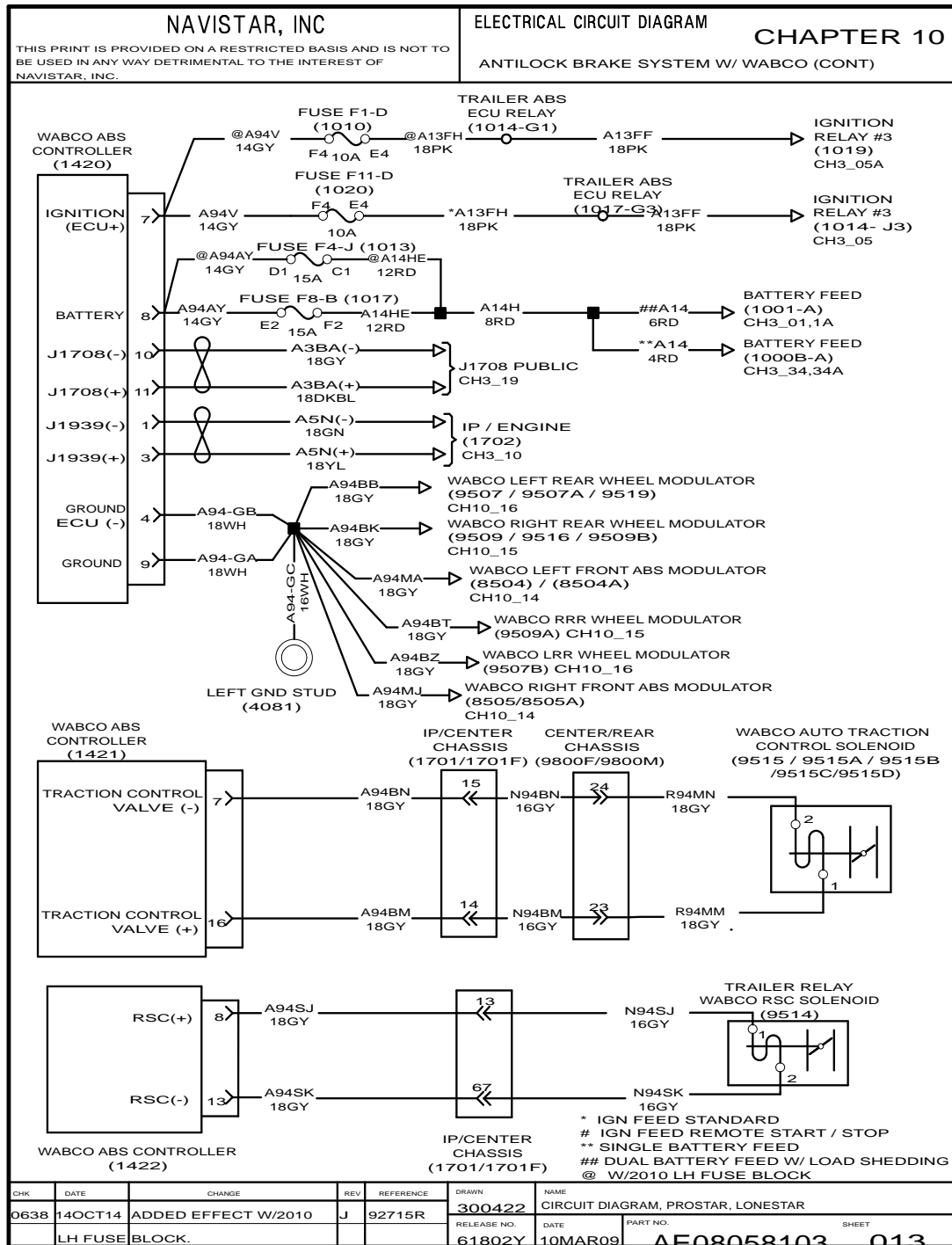


Figure 301 Antilock Brake System with WABCO (Cont.)

10.18. ANTILOCK BRAKE SYSTEM WITH WABCO (CONT.), P. 13A

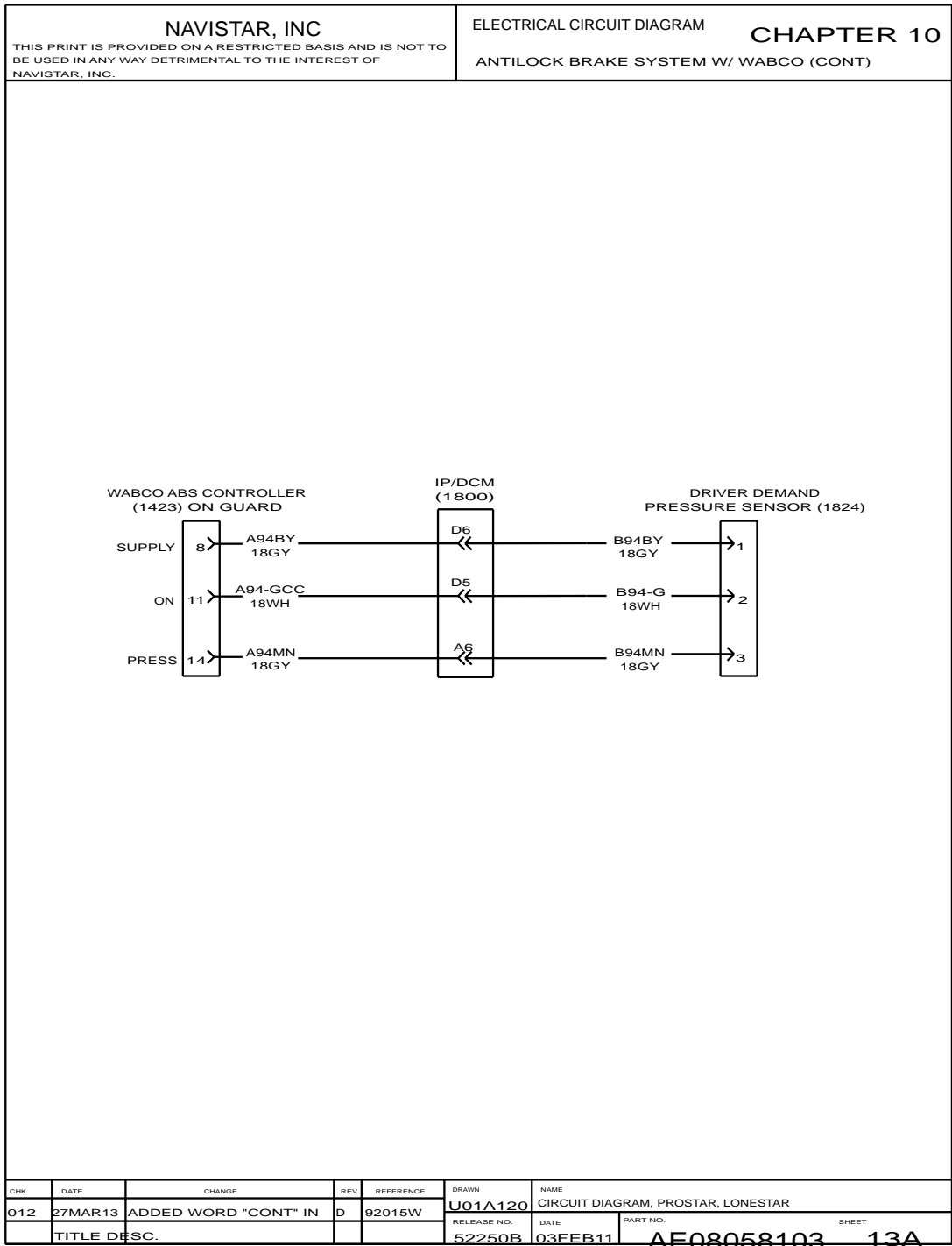


Figure 302 Antilock Brake System with WABCO (Cont.)

10.19. ANTILOCK BRAKE SYSTEM WITH WABCO (CONT.), P. 13B

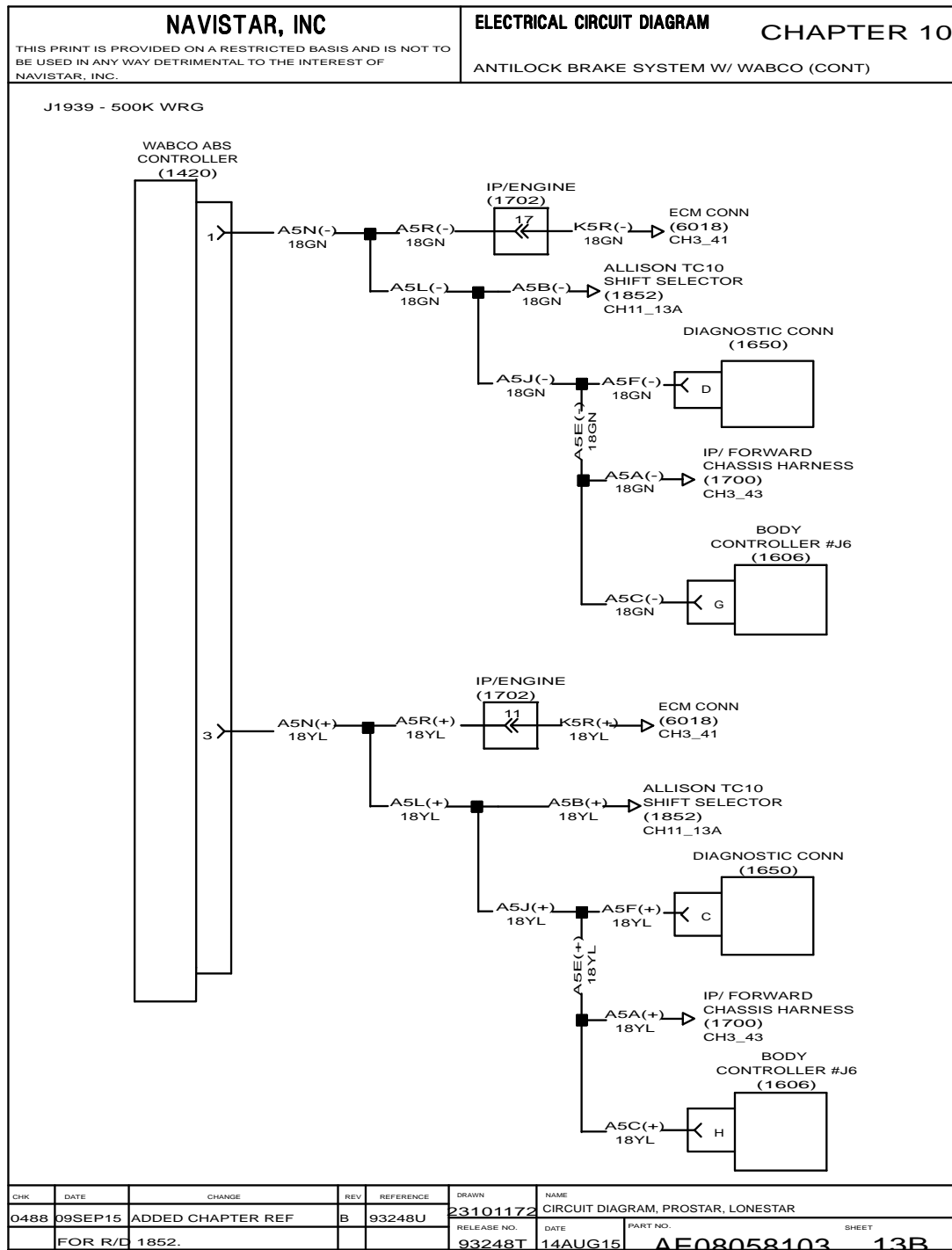


Figure 303 Antilock Brake System with WABCO (Cont.)

10.20. ANTILOCK BRAKE SYSTEM WITH WABCO (CONT.), P. 14

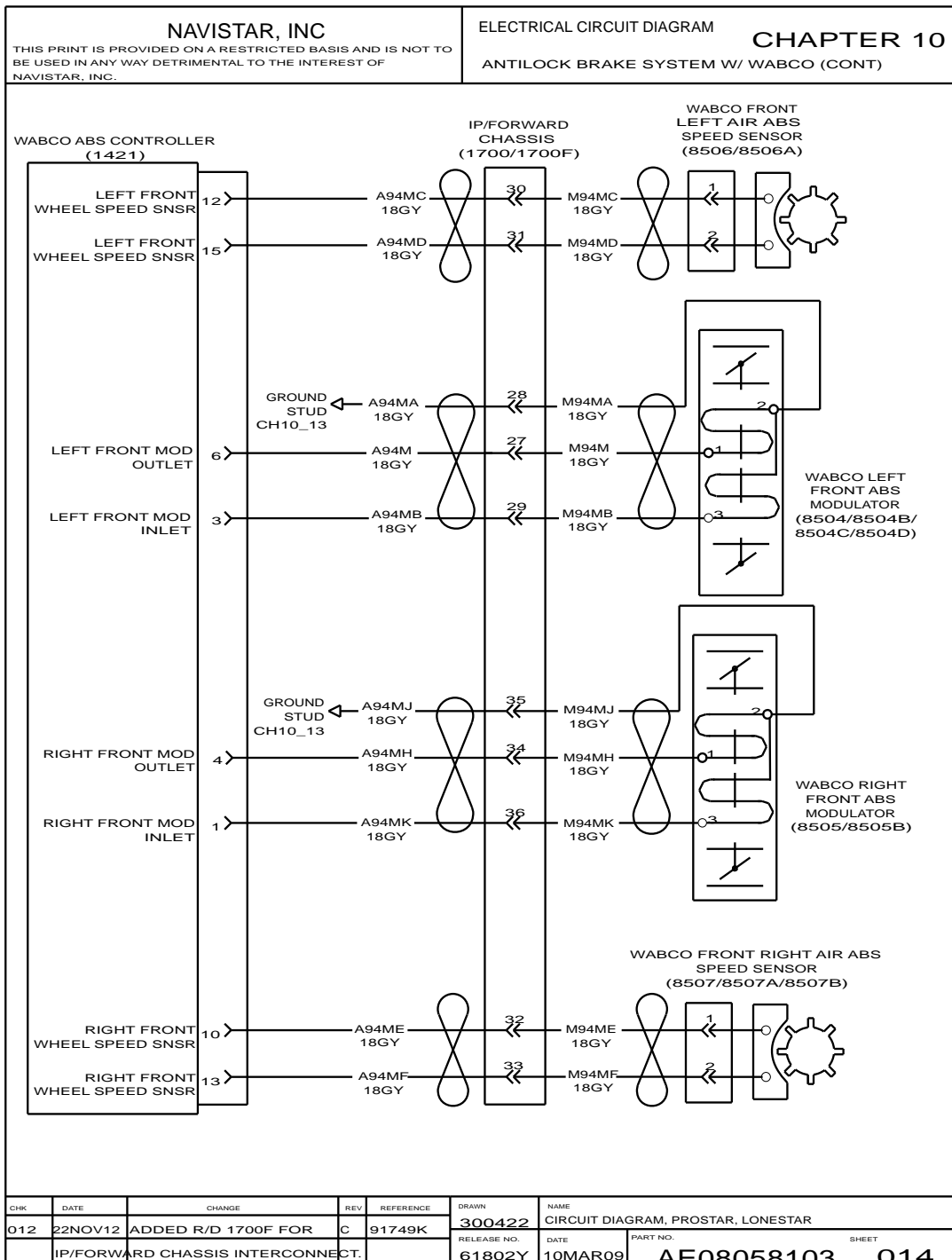


Figure 304 Antilock Brake System with WABCO (Cont.)



10.21. ANTILOCK BRAKE SYSTEM WITH WABCO (CONT.), P. 15

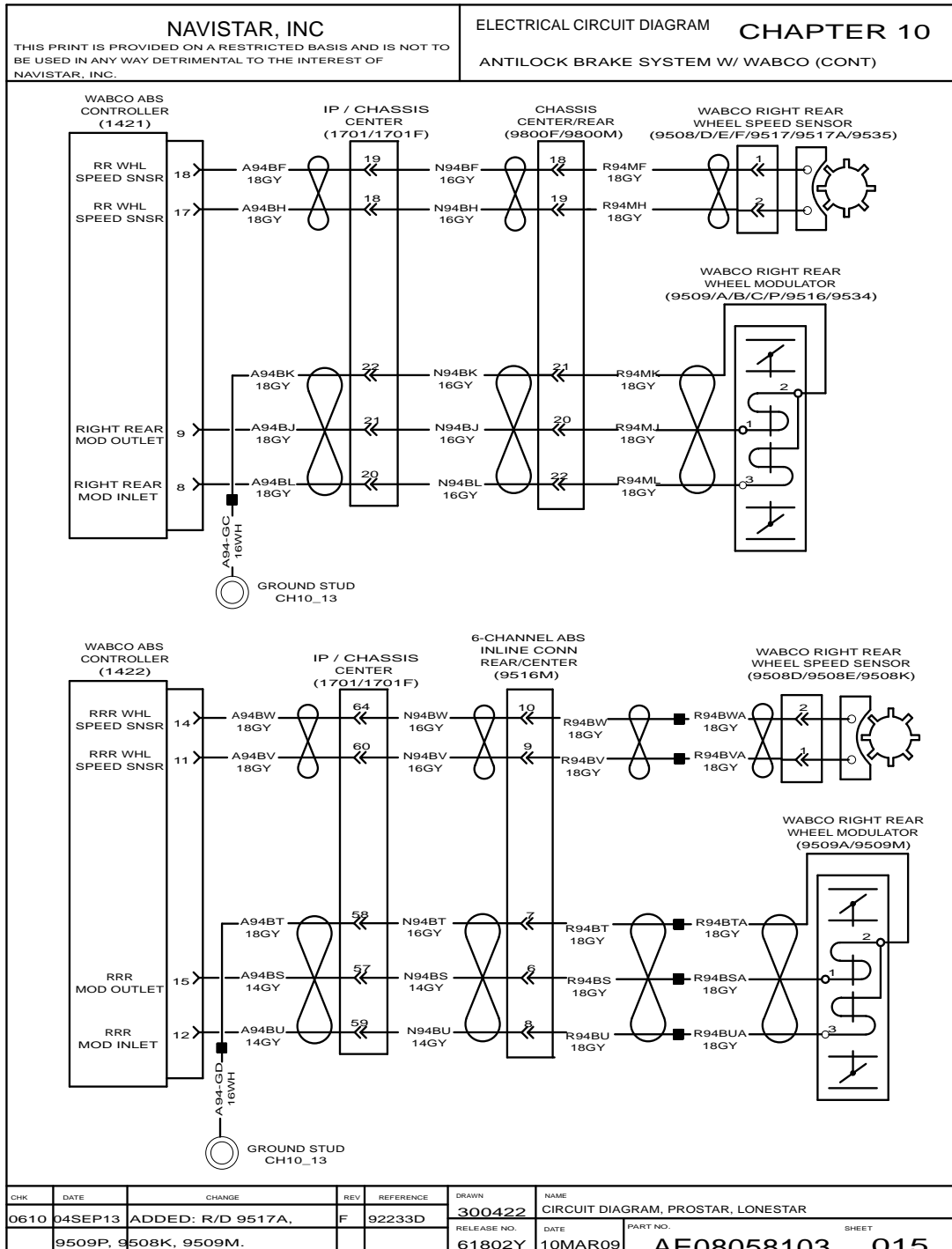


Figure 305 Antilock Brake System with WABCO (Cont.)

10.22. ANTILOCK BRAKE SYSTEM WITH WABCO (CONT.), P. 15A

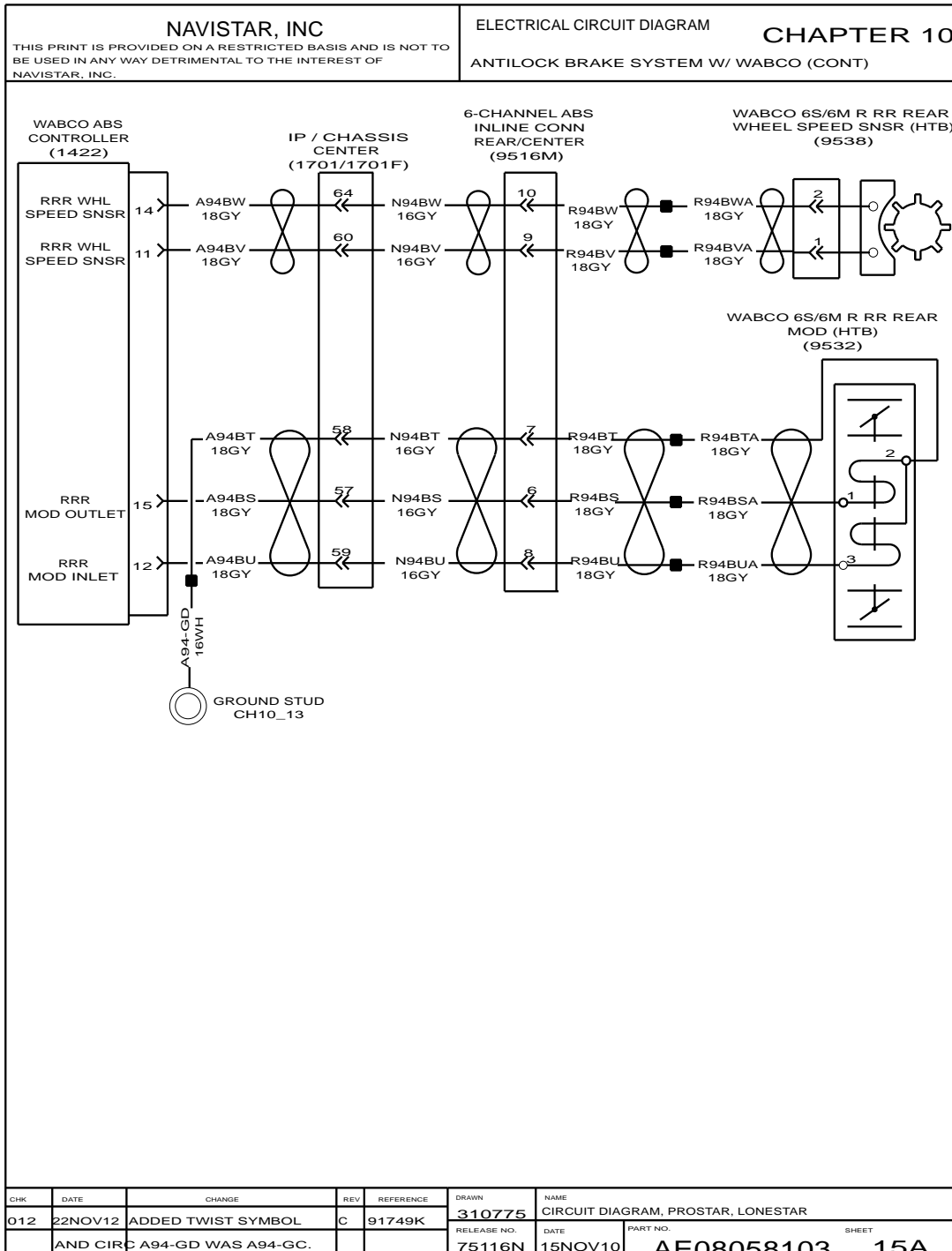


Figure 306 Antilock Brake System With WABCO (Cont.)

10.23. ANTILOCK BRAKE SYSTEM WITH WABCO (CONT.), P. 16

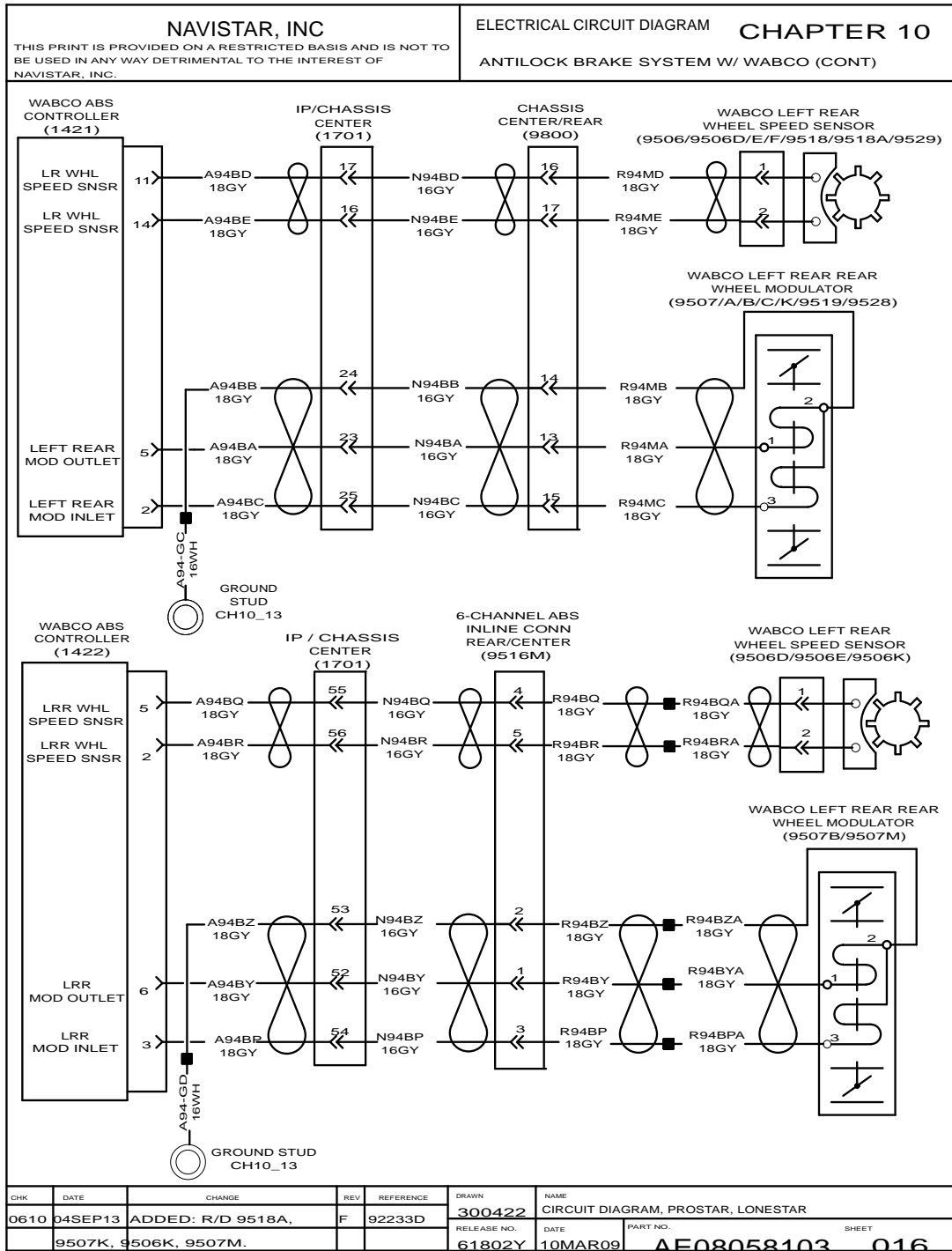


Figure 307 Antilock Brake System with WABCO (Cont.)

10.24. ANTILOCK BRAKE SYSTEM WITH WABCO (CONT.), P. 16A

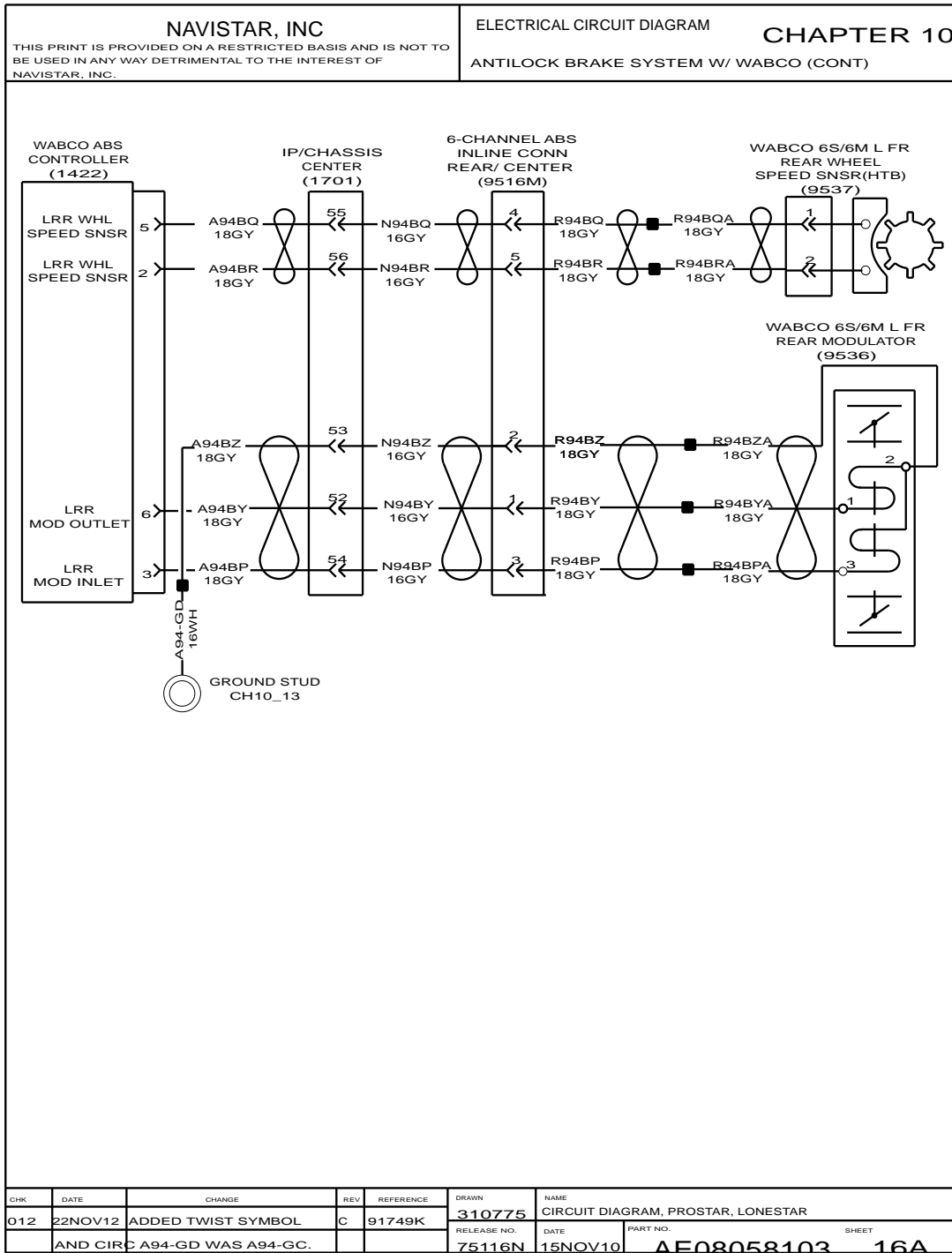


Figure 308 Antilock Brake System with WABCO (Cont.)

10.25. ANTILOCK BRAKE SYSTEM WITH WABCO (CONT.), P. 16B

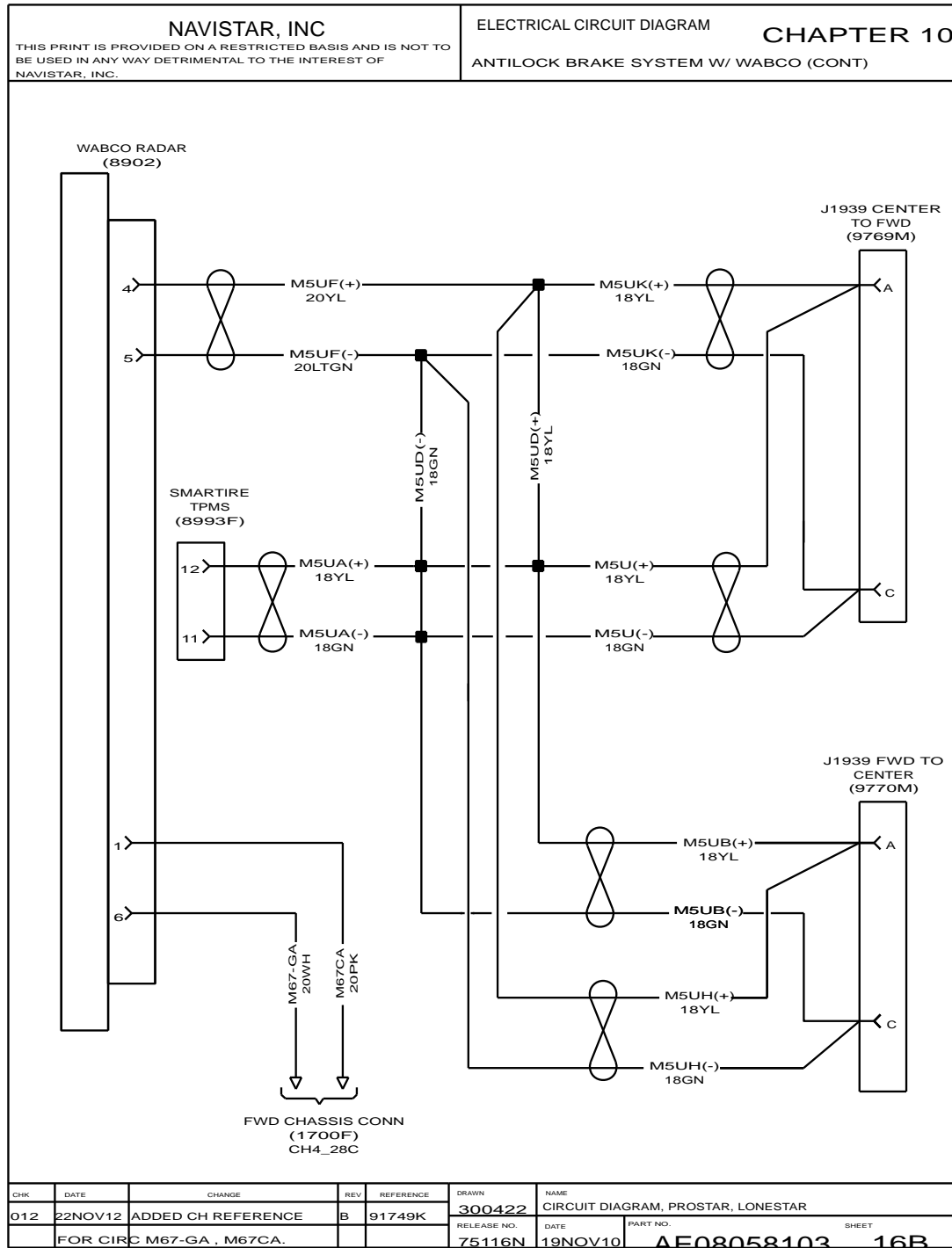


Figure 309 Antilock Brake System with WABCO (Cont.)

10.26. POWER TAKE OFF, P. 17

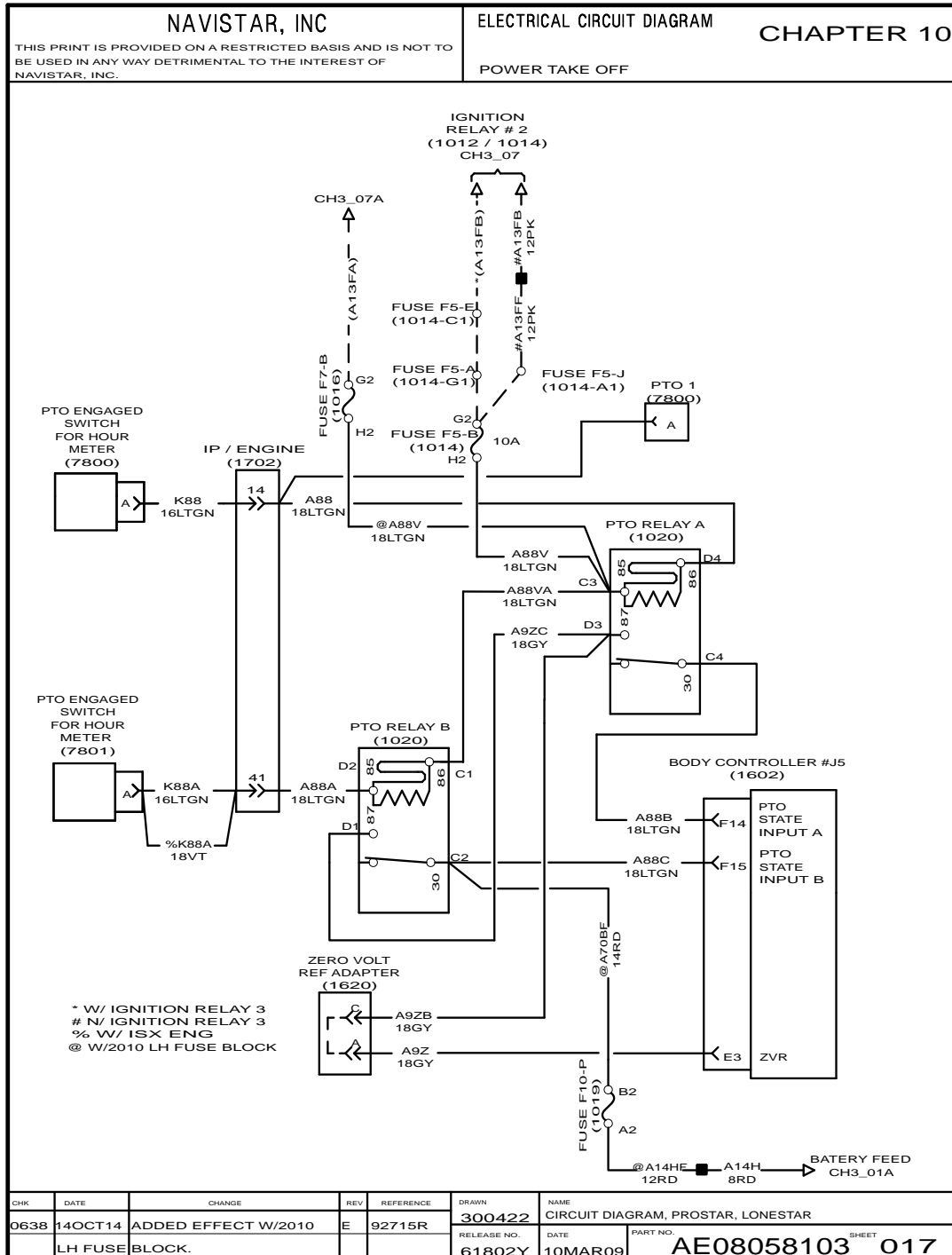


Figure 310 Power Take Off

10.27. VEHICLE SENSOR MODULE, P. 18

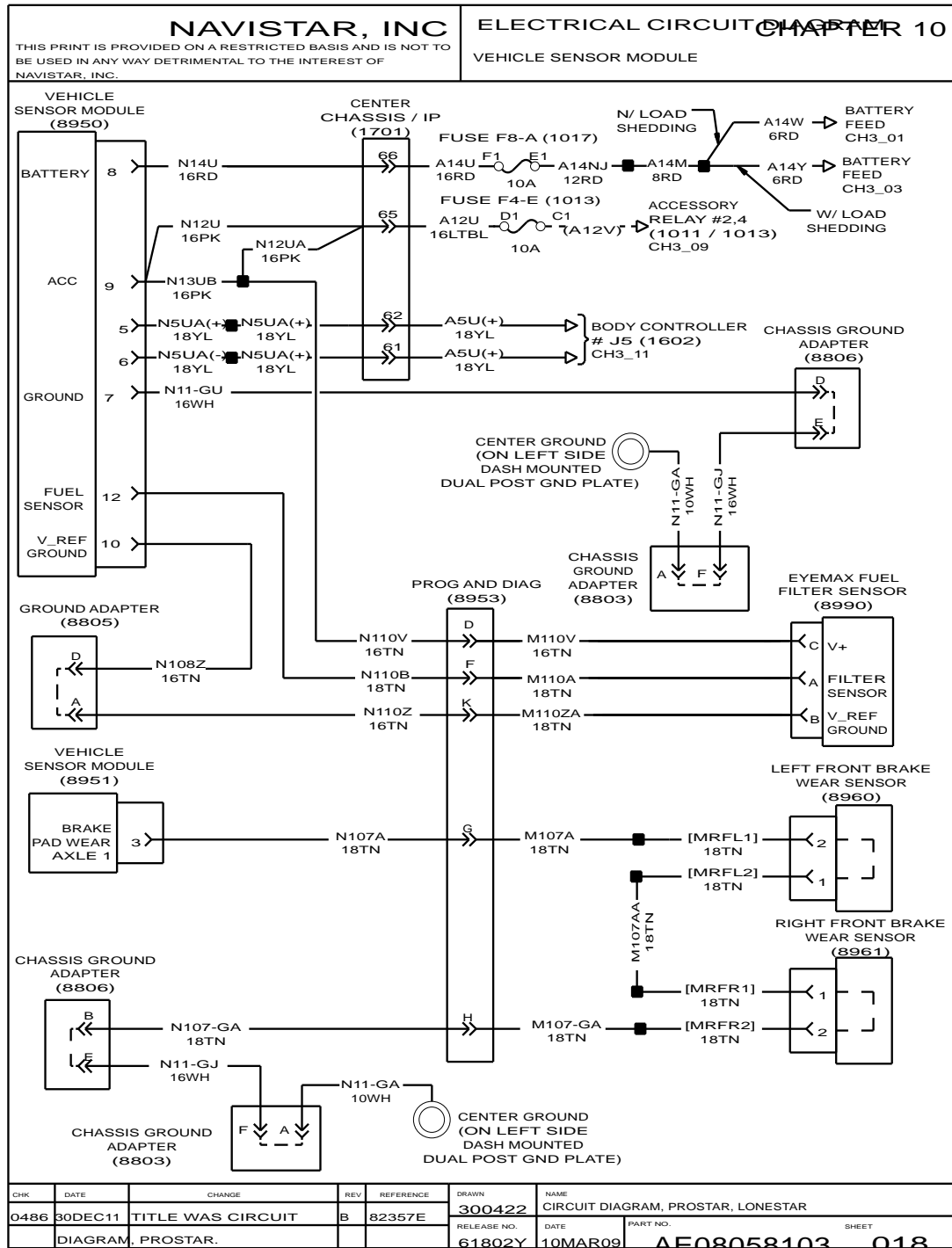


Figure 311 Vehicle Sensor Module

10.28. VEHICLE SENSOR MODULE (CONT.), P. 19

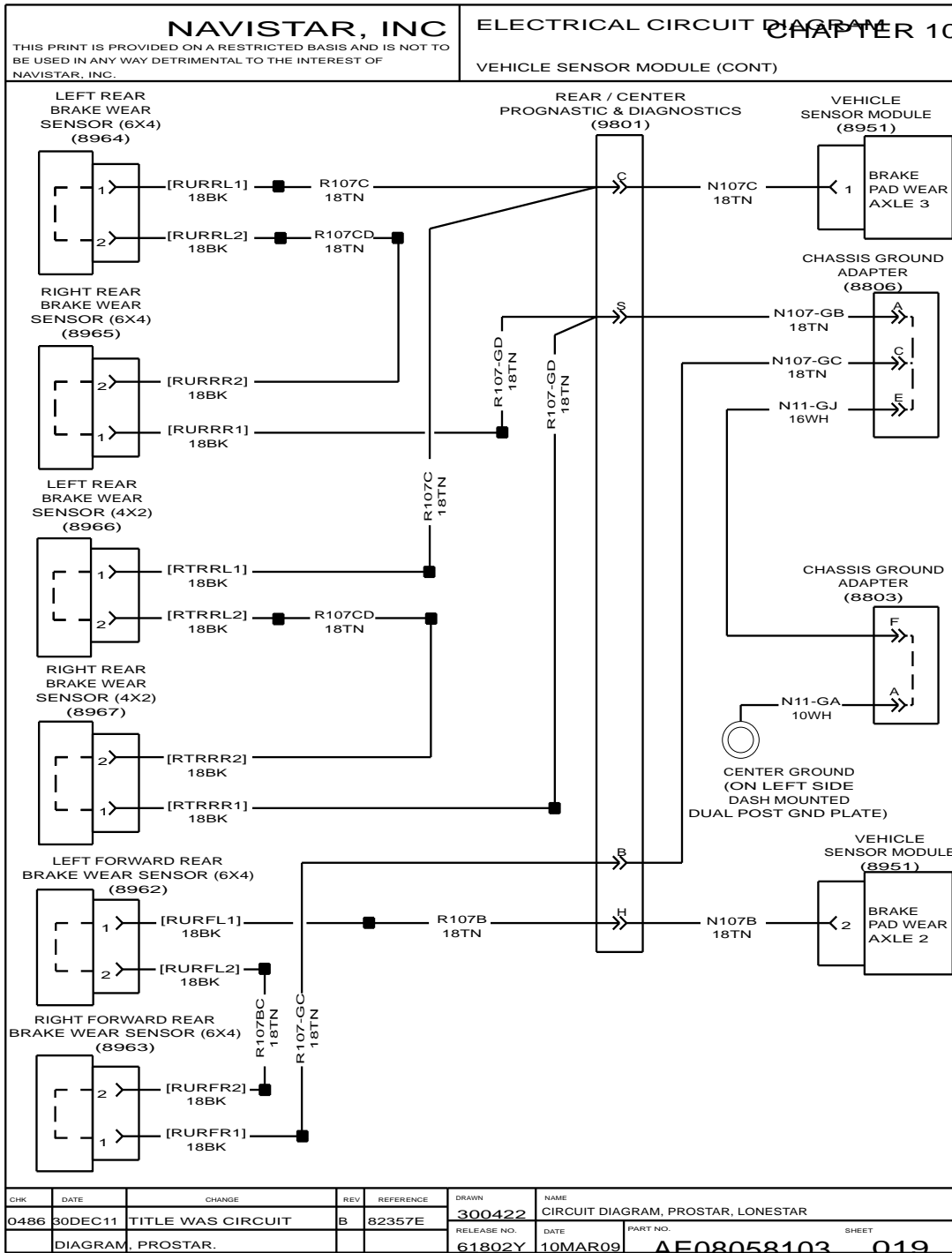


Figure 312 Vehicle Sensor Module (Cont.)



10.29. BRAKE SENSOR – WEAR / STROKE, P. 20

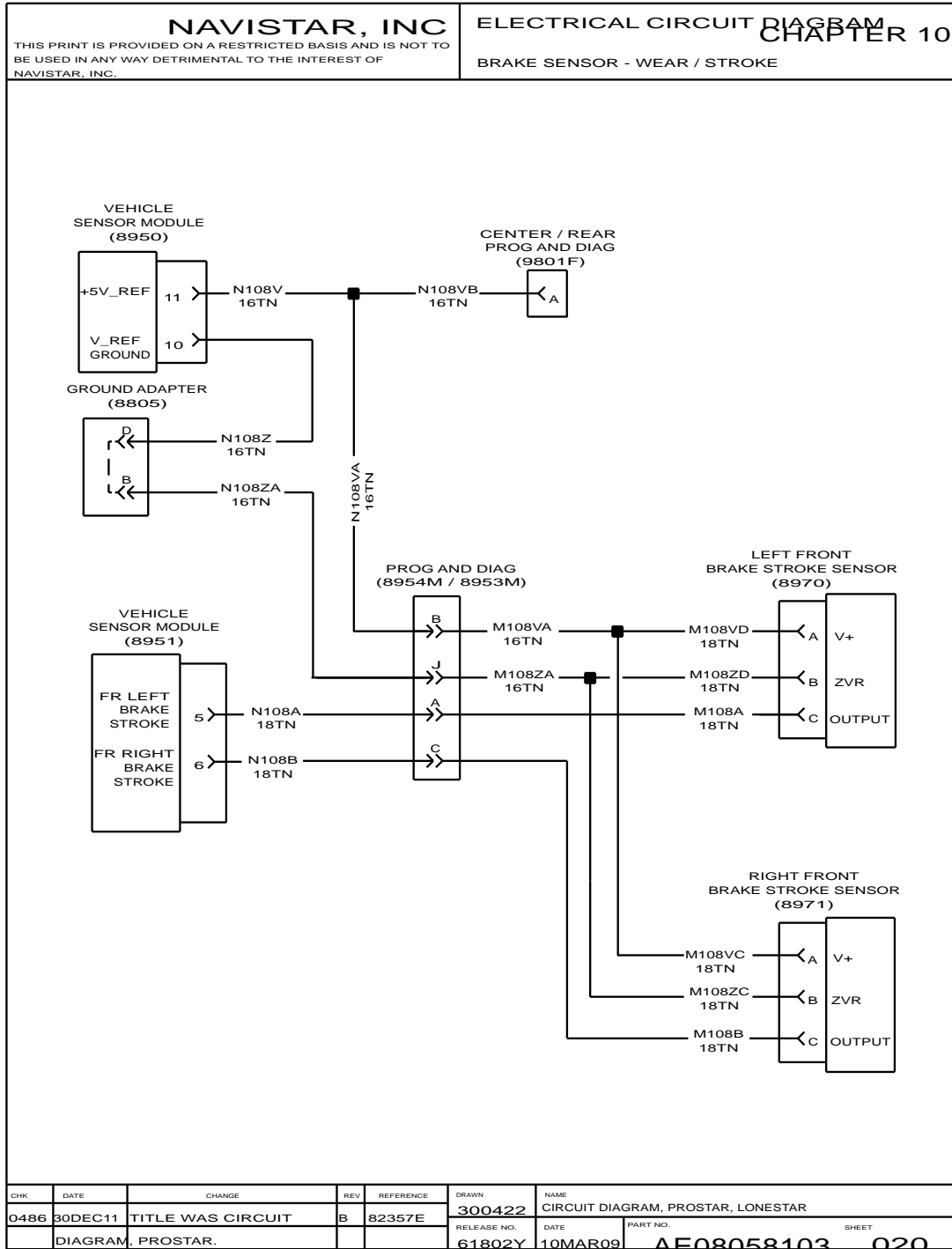


Figure 313 Brake Sensor – Wear / Stroke

10.30. BRAKE SENSOR – WEAR / STROKE (CONT.), P. 21

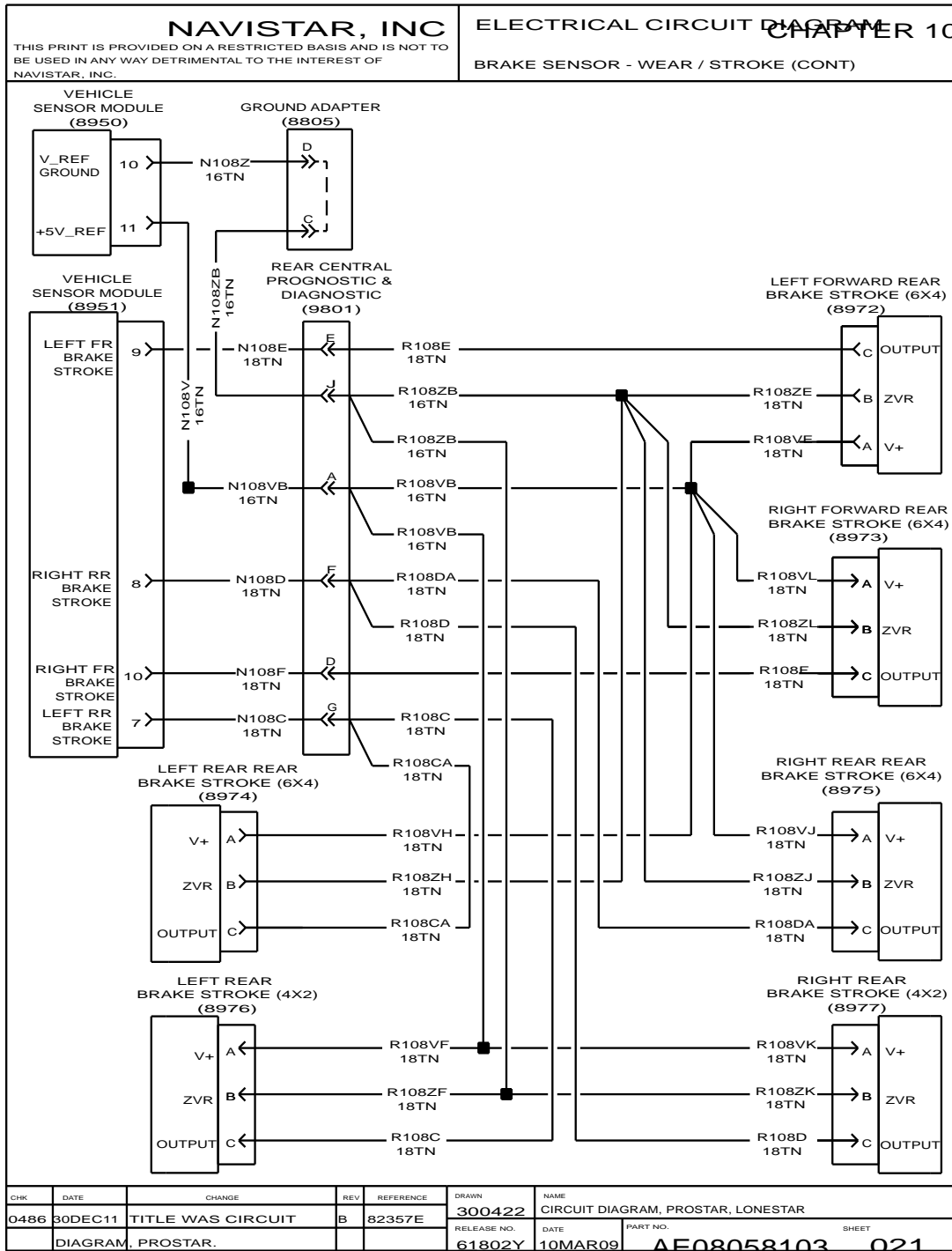


Figure 314 Brake Sensor – Wear / Stroke (Cont.)

10.31. BODY BUILDER, P. 22

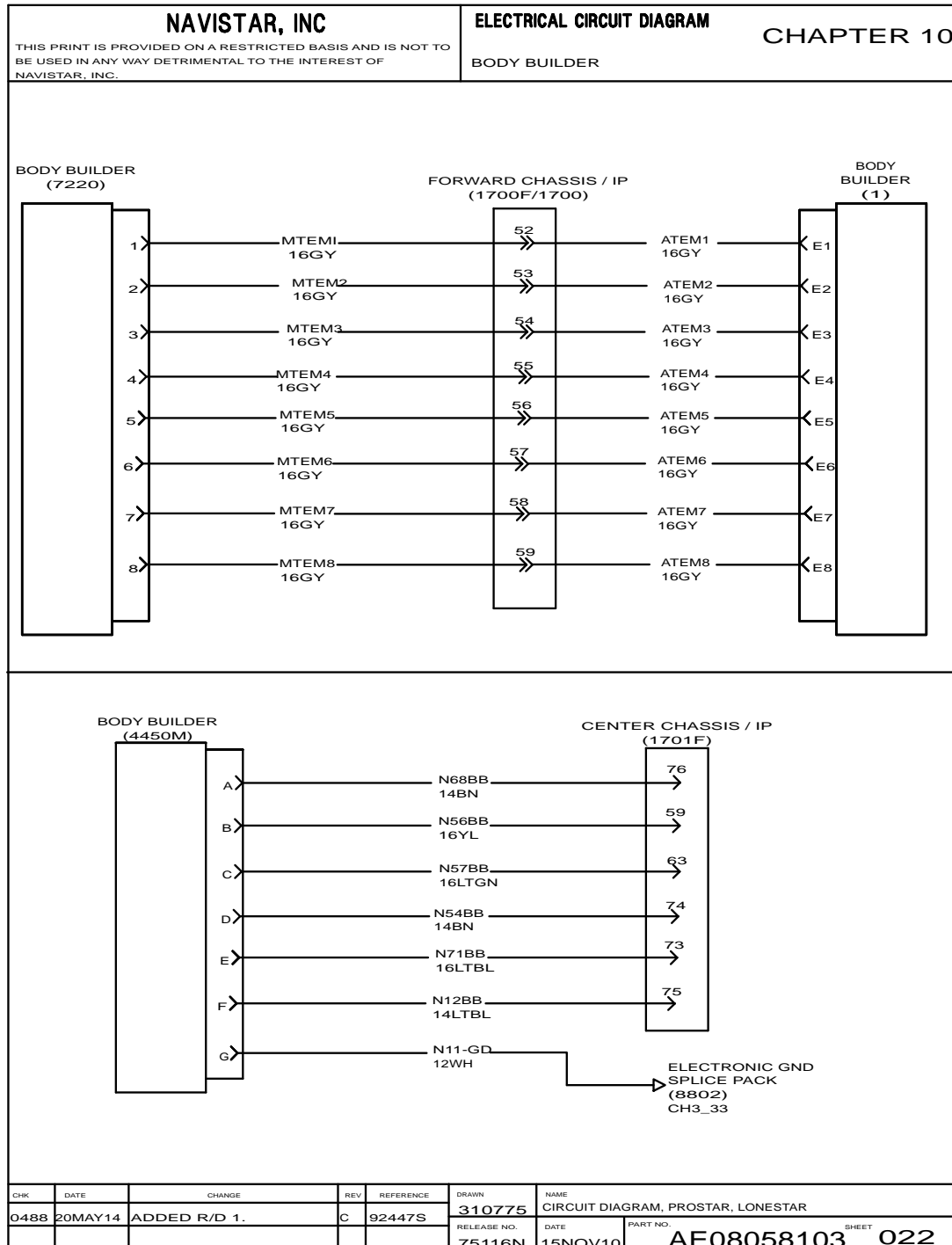


Figure 315 Body Builder

10.32. LIFT GATE POWER FEED, P. 22A

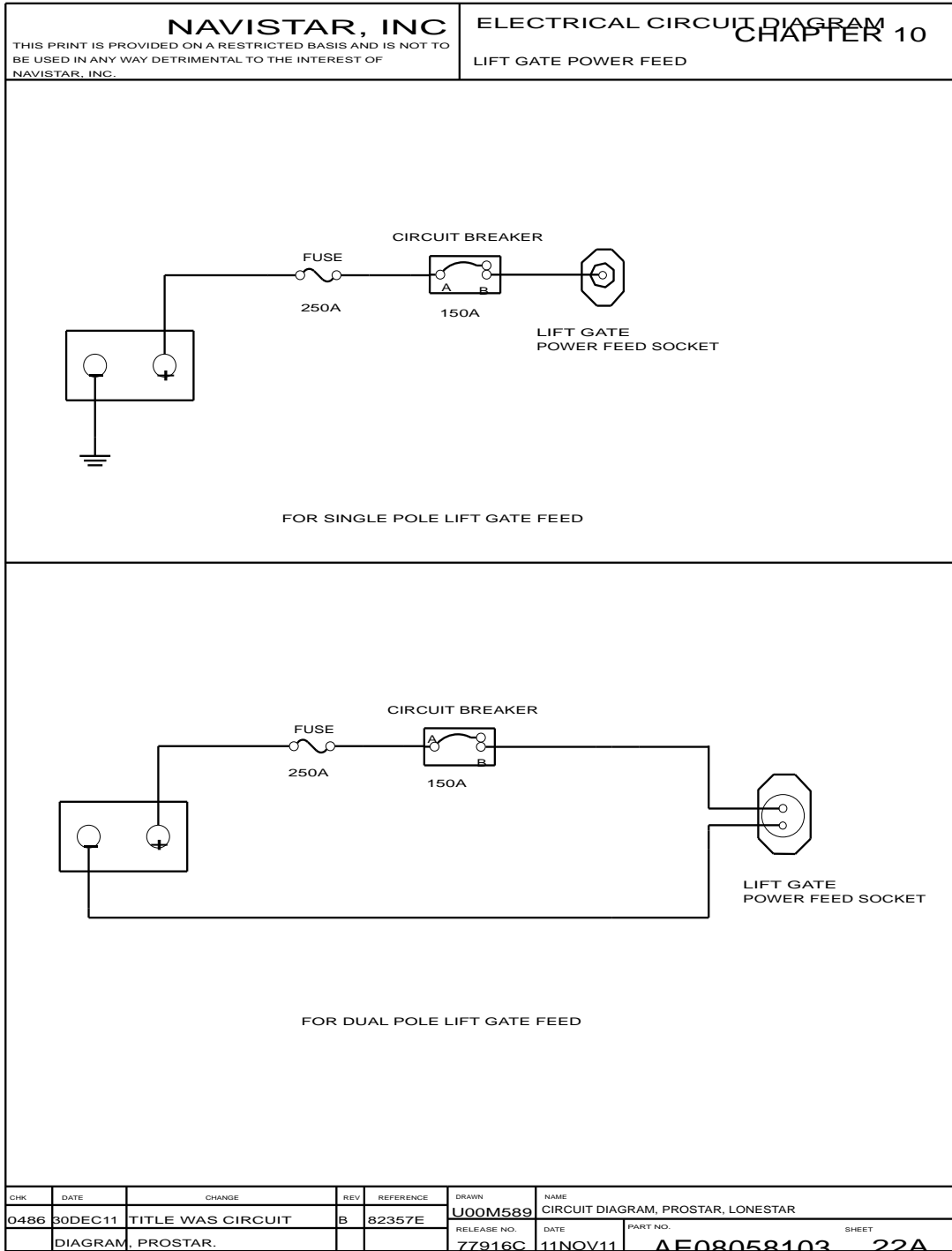


Figure 316 Lift Gate Power Feed

10.33. CUMMINS ICON, P. 23

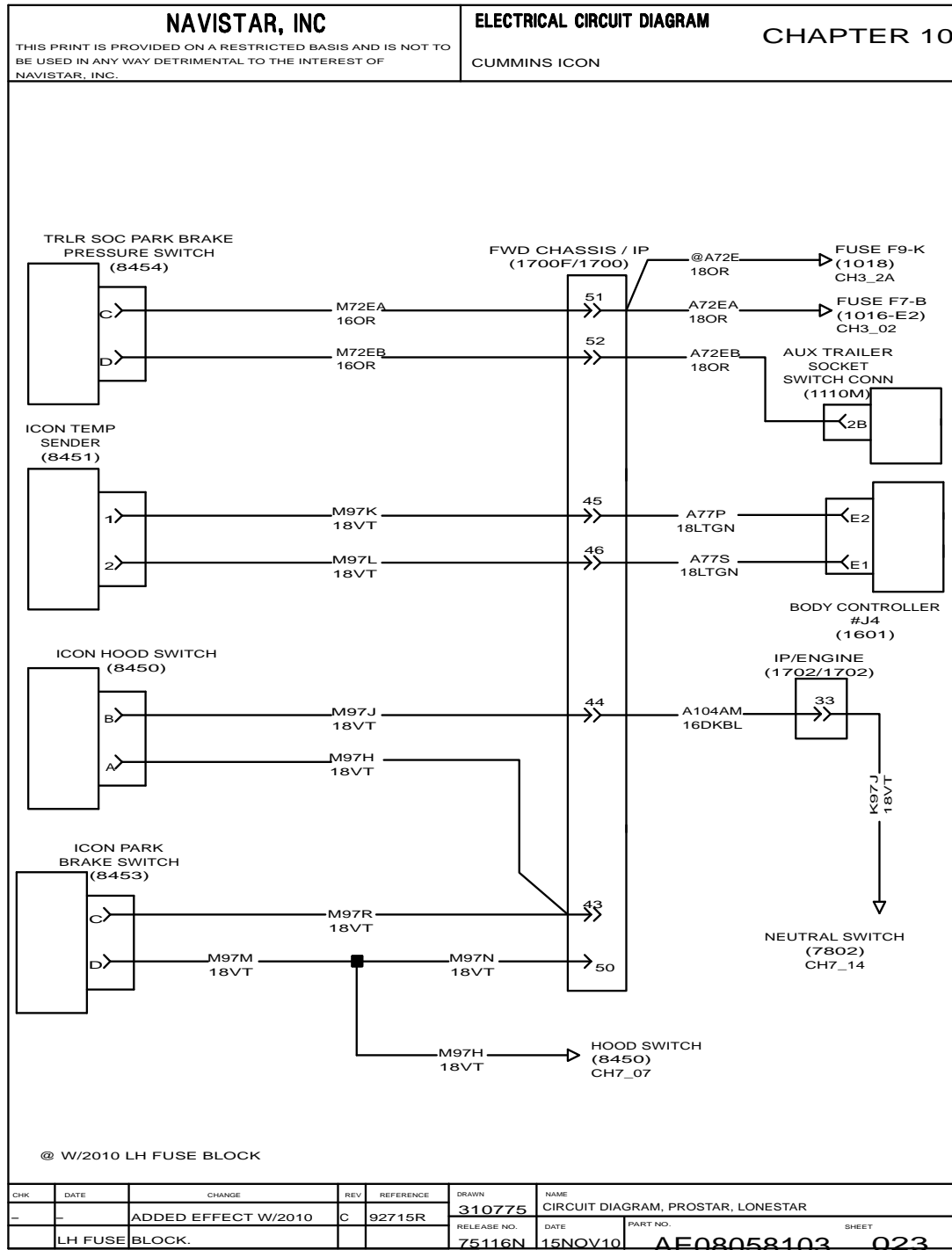


Figure 317 Cummins Icon

10.34. POWER TAKE-OFF CONNECTION, P. 24

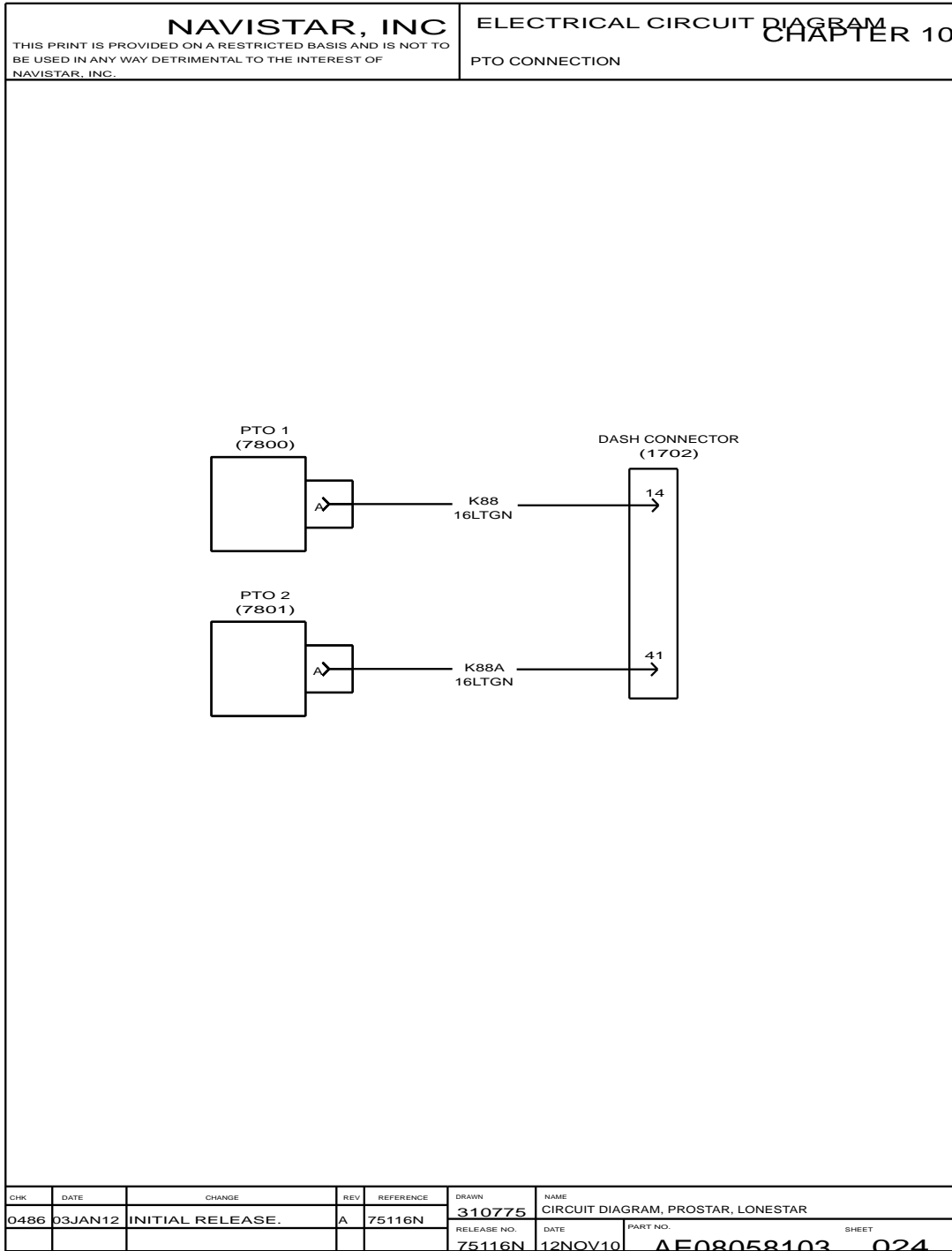


Figure 318 Power Take-Off Connection

10.35. CUSTOMER SUPPLIED LIGHTS, P. 25

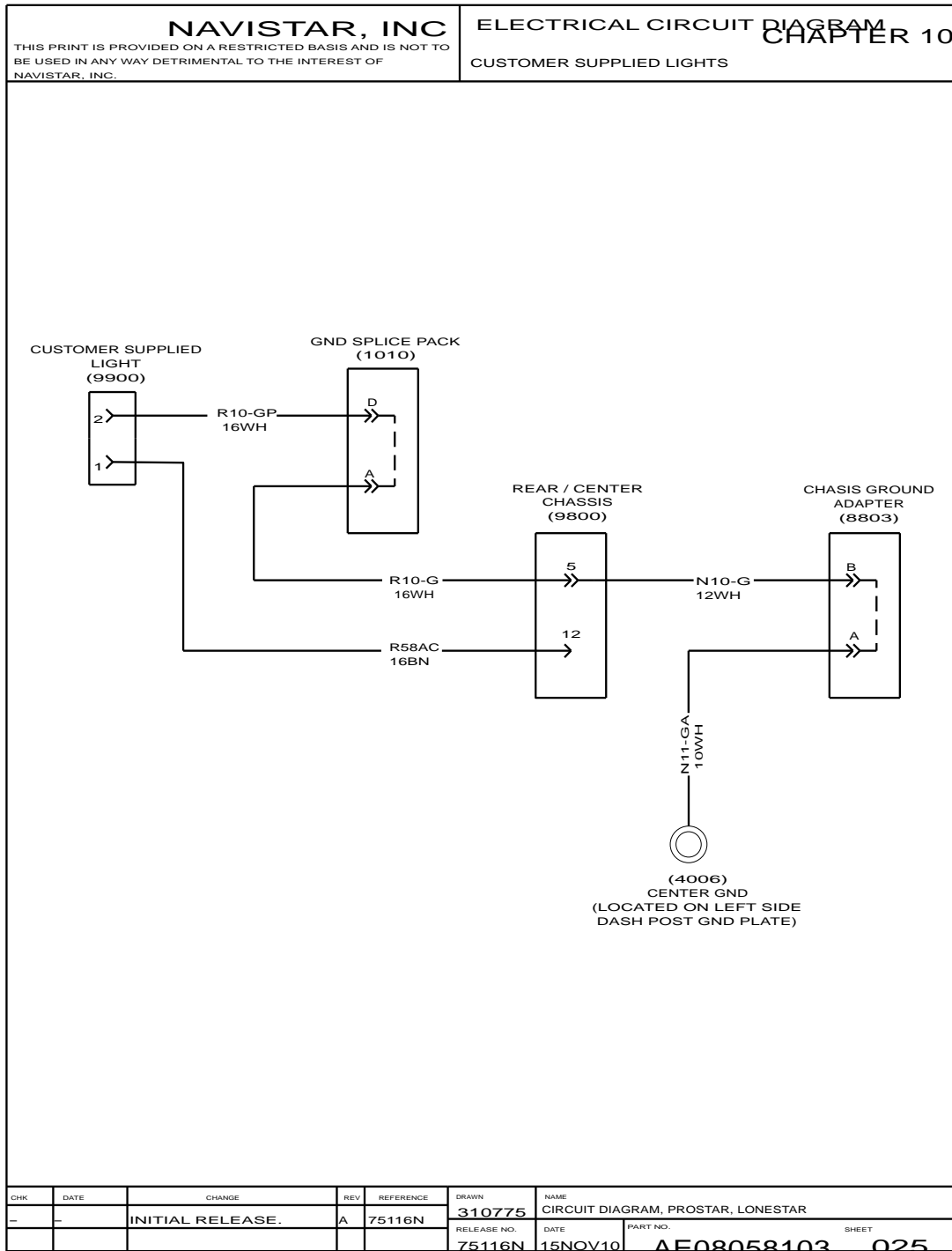


Figure 319 Customer Supplied Lights

10.36. SMARTIRE TPMS RECEIVER, P. 26

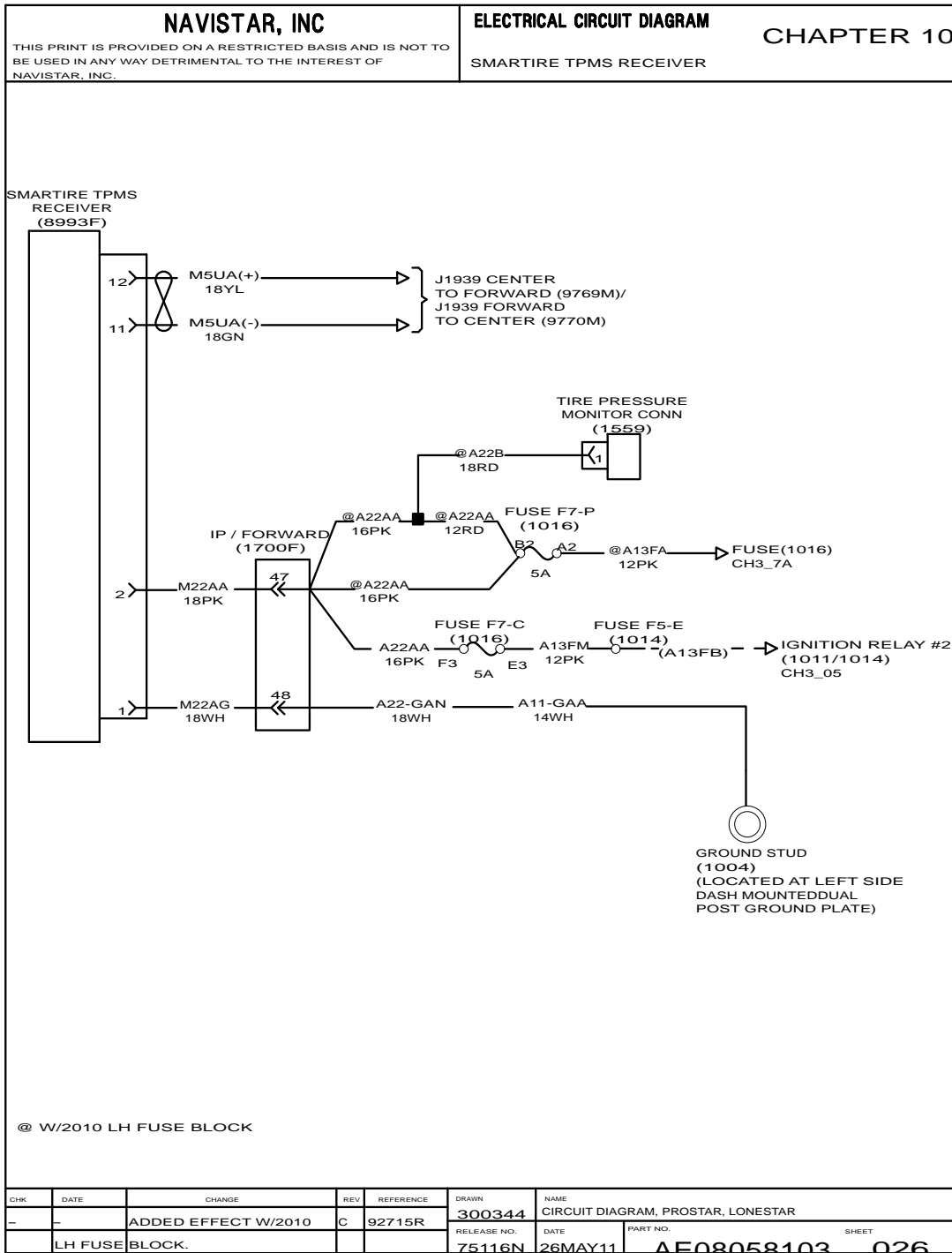


Figure 320 SmarTire TPMS Receiver



10.37. FUEL SENDER WITH ISX ENGINE, P. 27

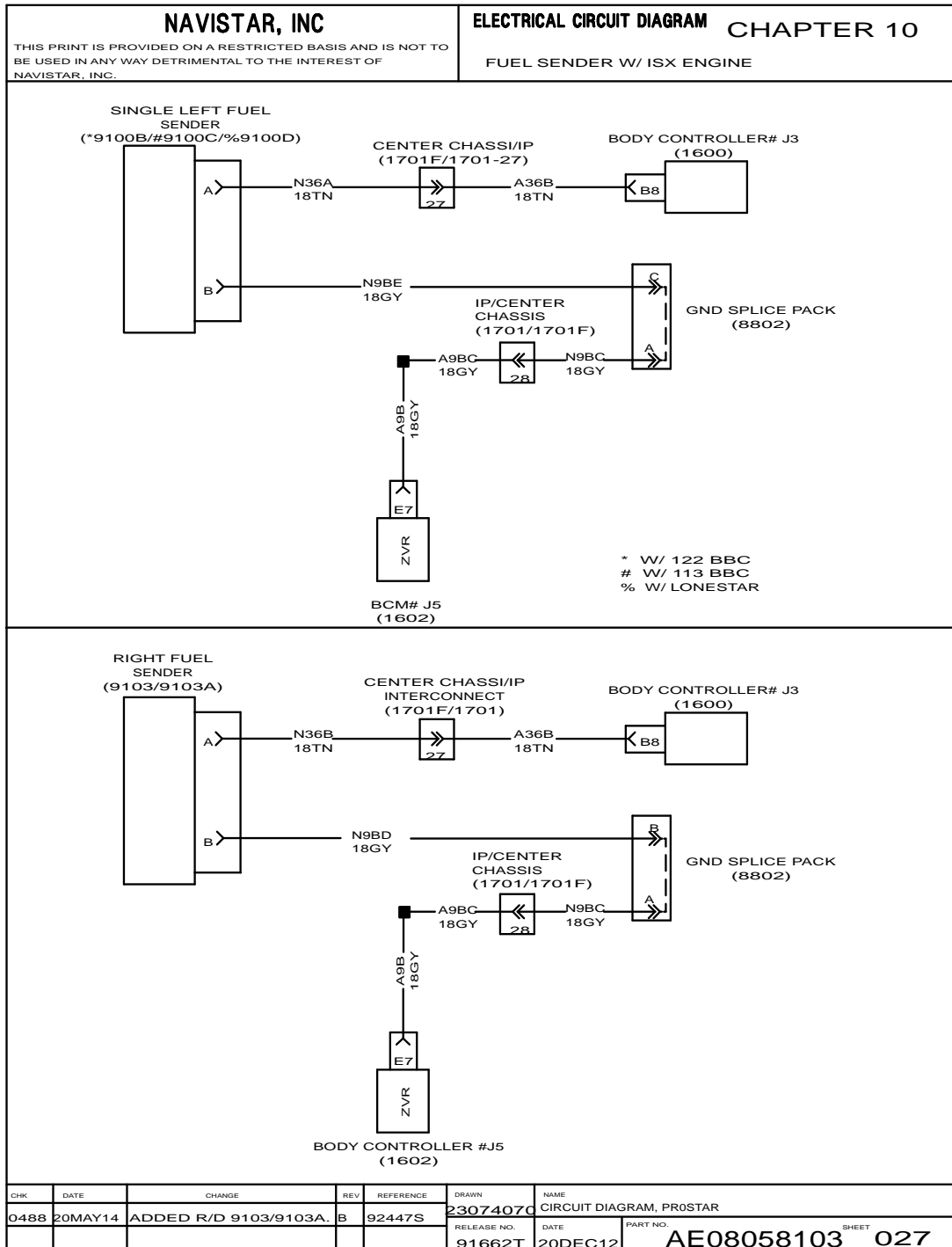


Figure 321 Fuel Sender with ISX Engine

10.38. 5TH WHEEL JAW MONITOR, P. 28

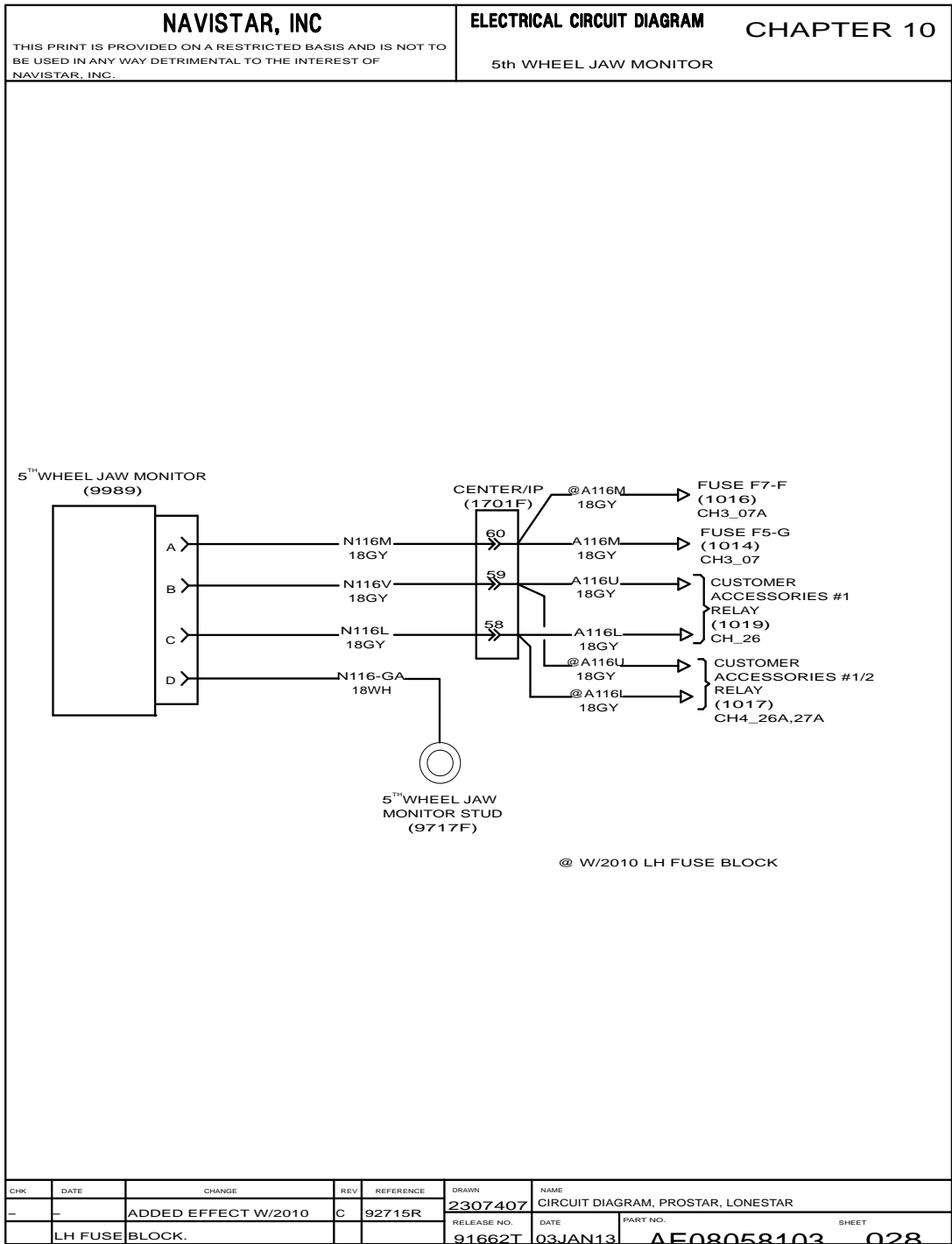


Figure 322 5th Wheel Jaw Monitor

10.39. THE PRESSURE MONITORING, P. 29

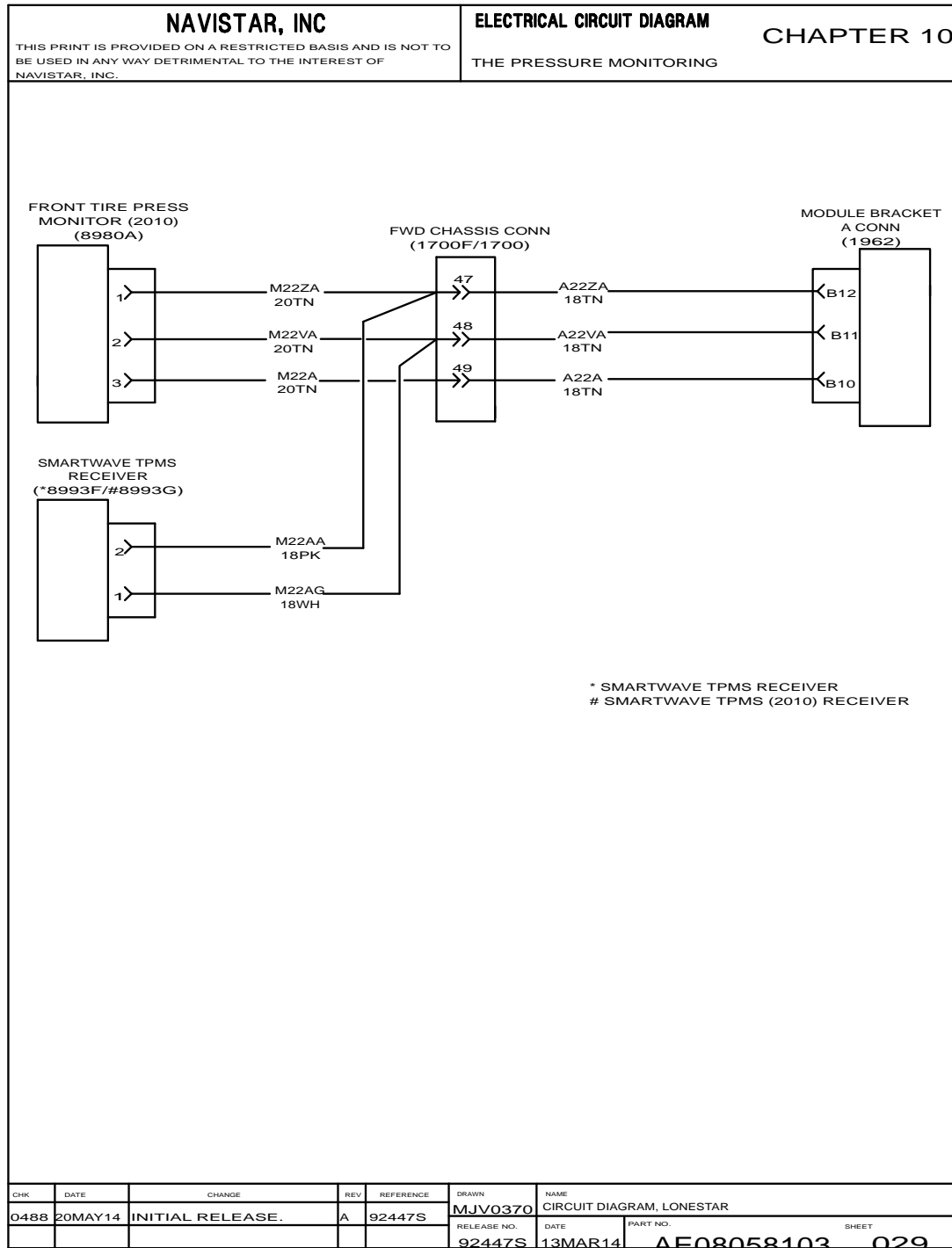


Figure 323 THE Pressure Monitoring

10.40. AUXILIARY TRAILER SOCKET, P. 30

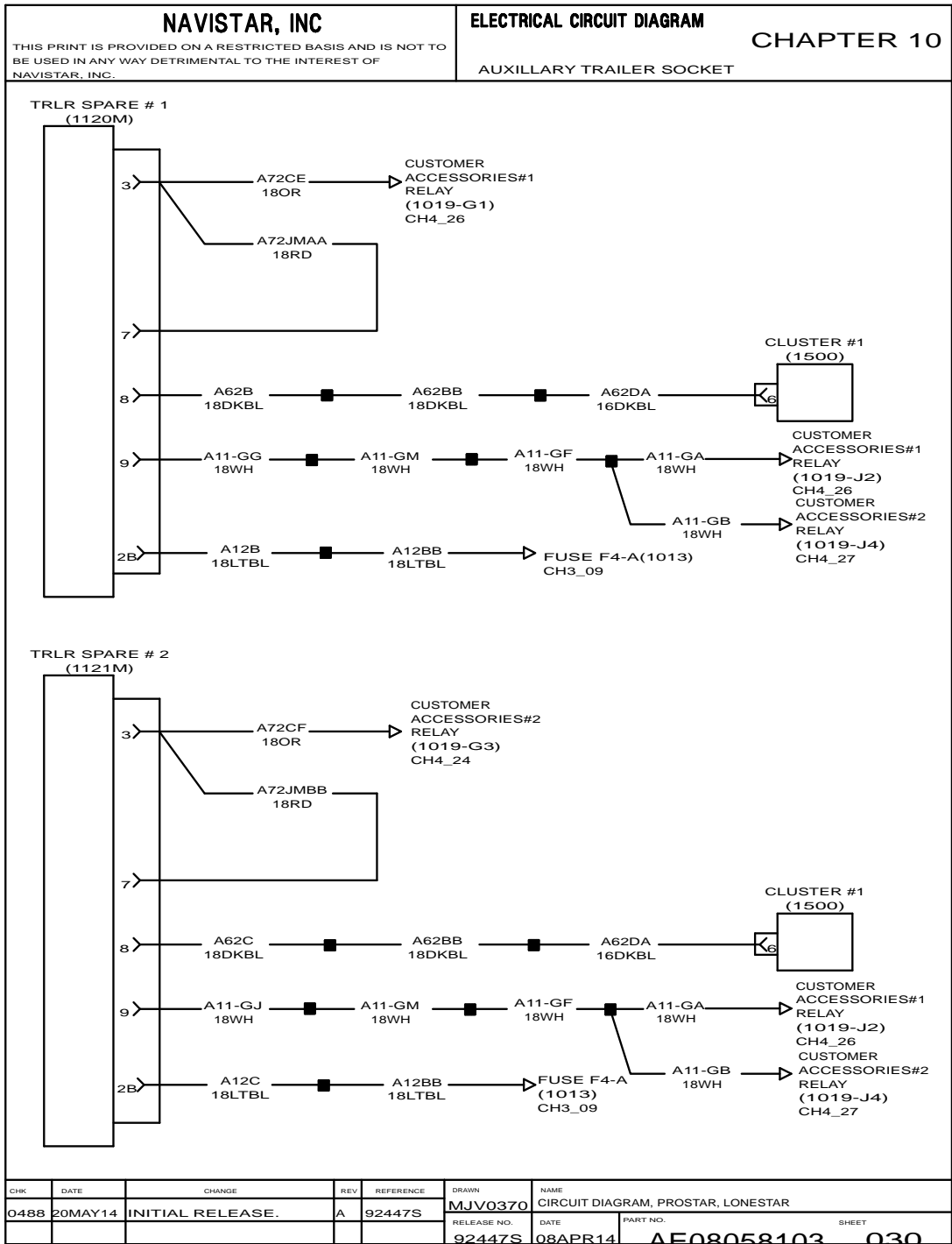


Figure 324 Auxiliary Trailer Socket

10.41. AUXILIARY TRAILER SOCKET (CONT.), P. 31

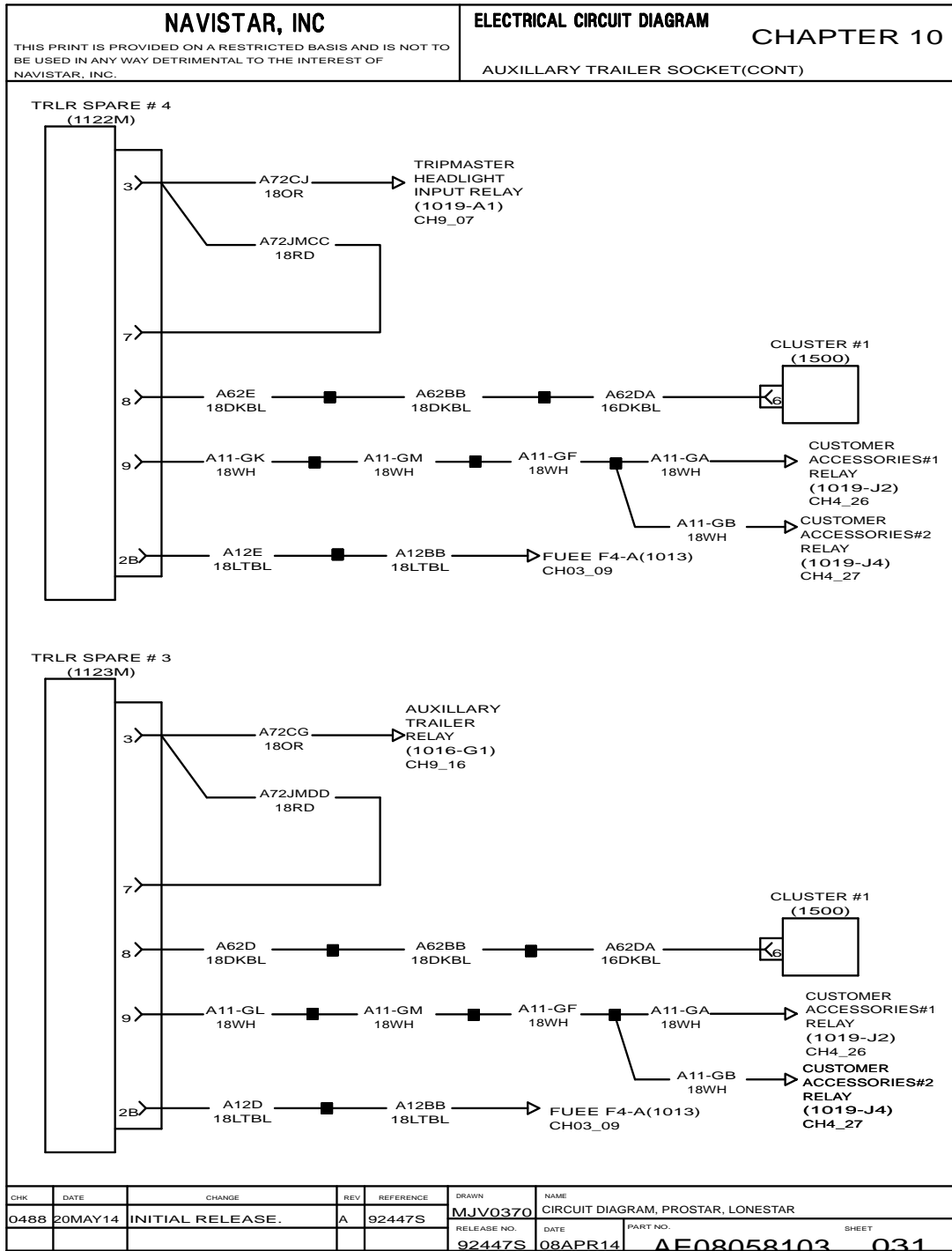


Figure 325 Auxiliary Trailer Socket (Cont.)

# TRANSMISSION CONTROL MODULE (CHAPTER 11)

## 11.1. EATON AUTOSHIFT AND ULTRASHIFT TRANSMISSION, P. 1

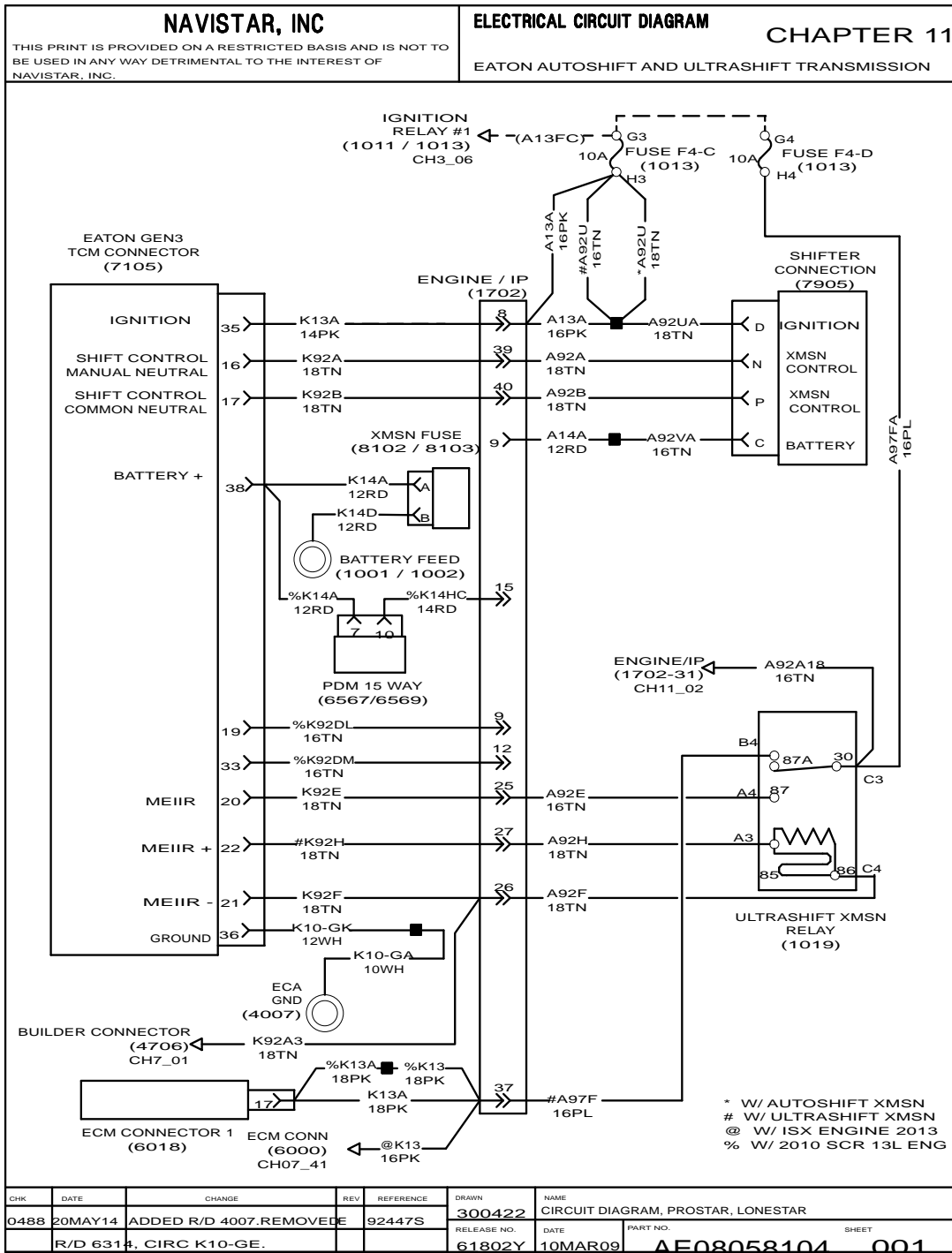


Figure 326 Eaton Autoshift and Ultrashift Transmission

11.2. EURO IV EATON ULTRASHIFT TRANSMISSION, P. 1A

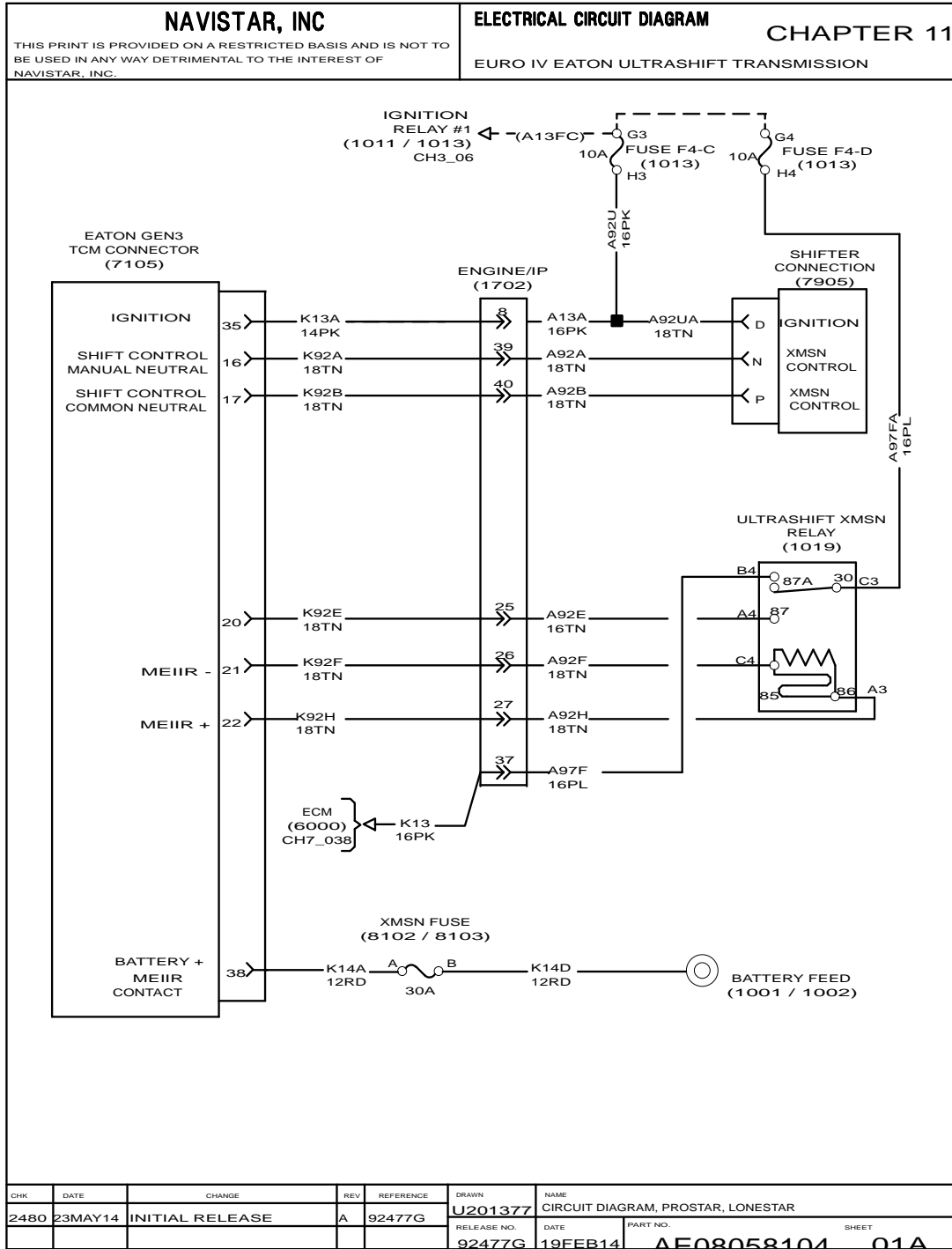


Figure 327 Euro IV Eaton Ultrashift Transmission

11.3. ULTRASHIFT AND EATON AUTOSHIFT TRANSMISSION, P. 1B

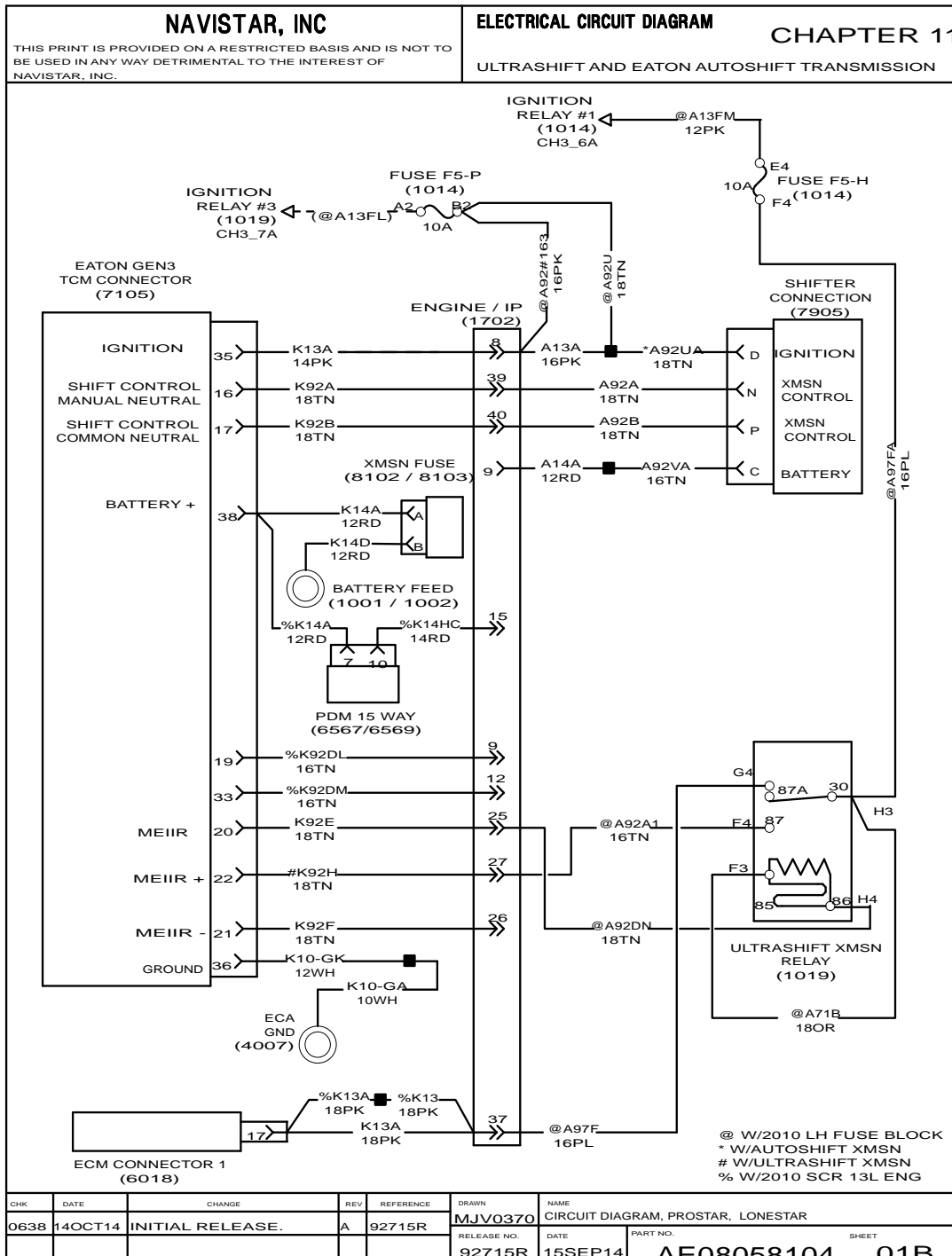


Figure 328 Ultrashift and Eaton Autoshift Transmission



11.4. EATON ULTRASHIFT WITH EURO IV, P. 1C

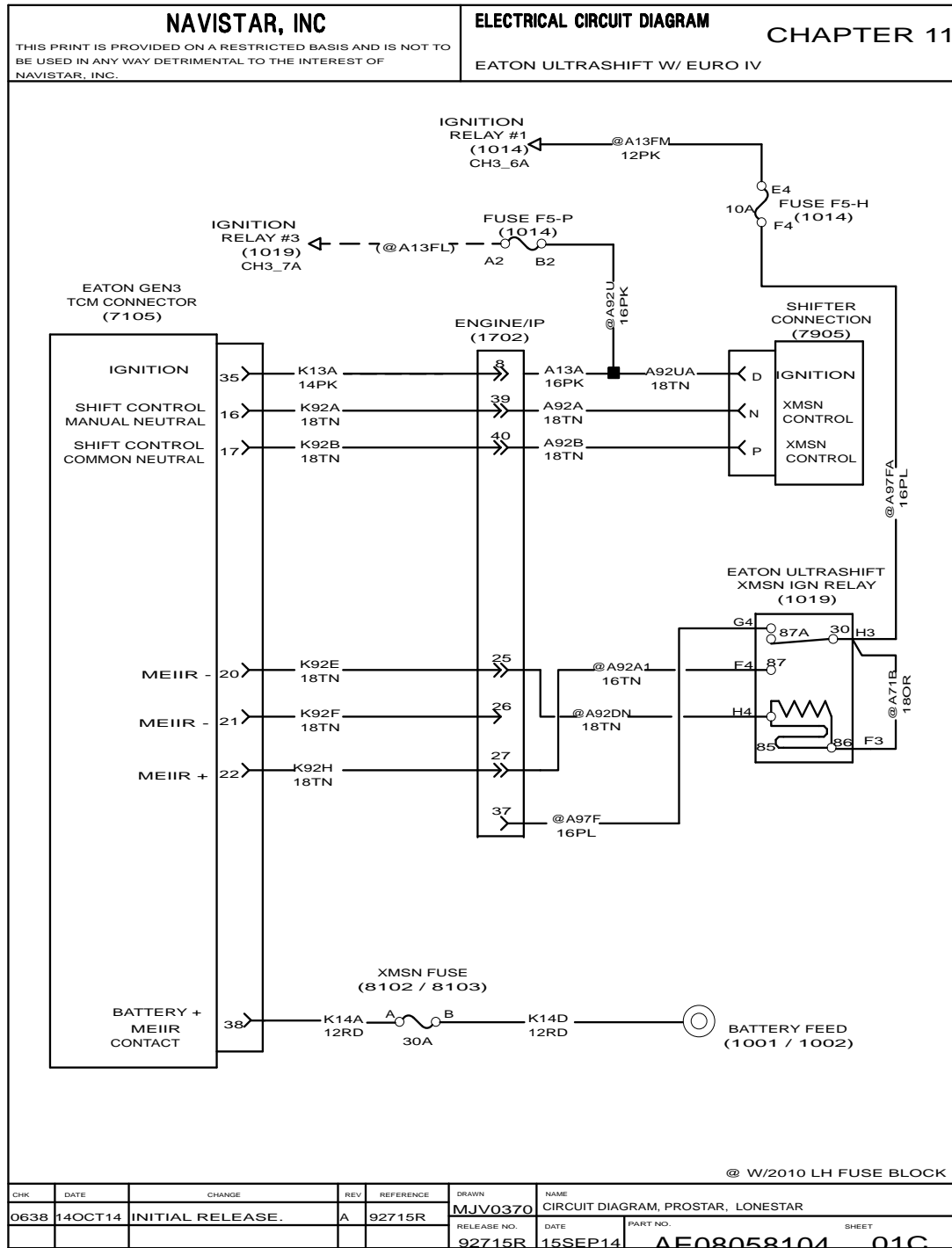


Figure 329 Eaton Ultrashift with Euro IV

11.5. EATON AUTOSHIFT AND ULTRASHIFT TRANSMISSION, P. 2

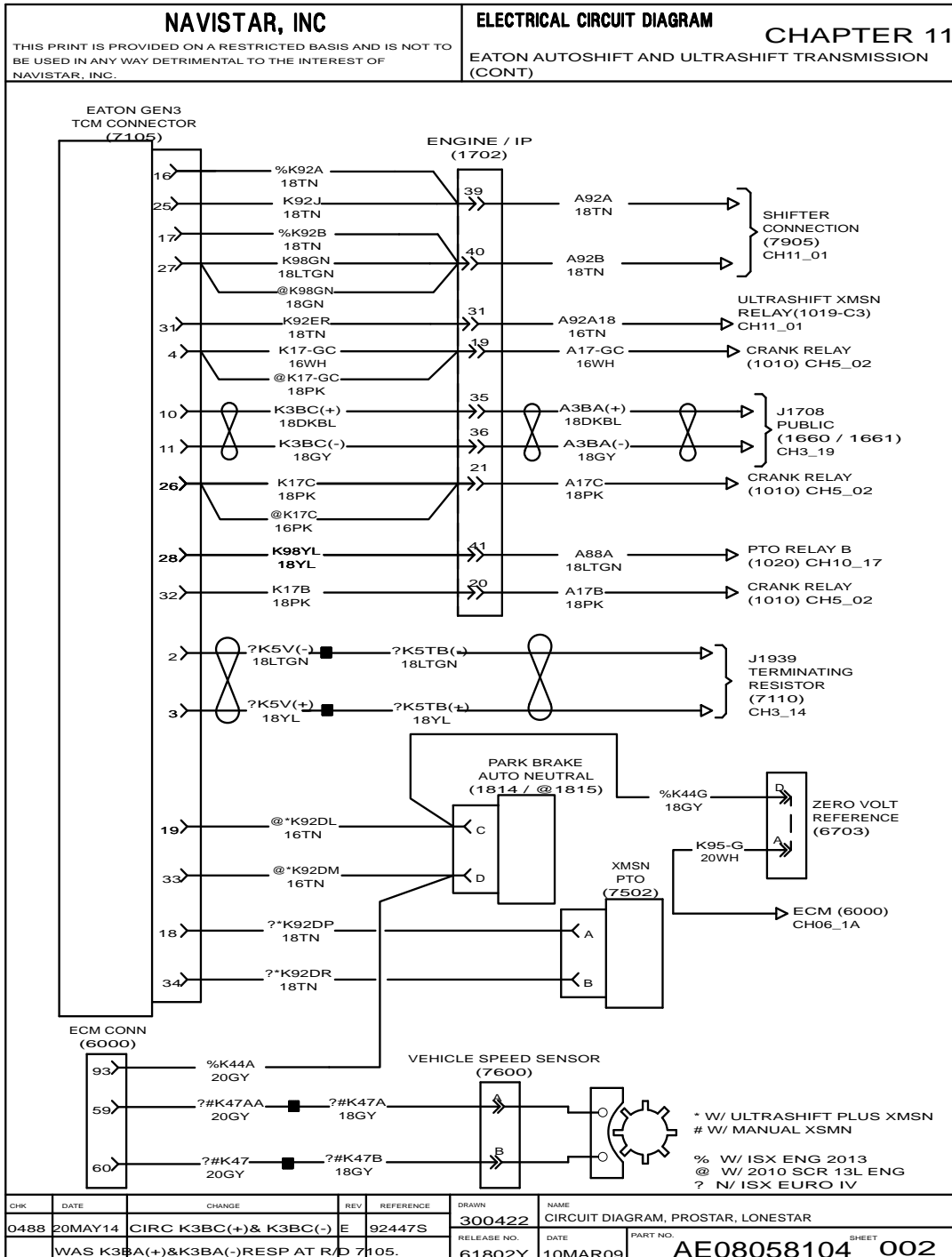


Figure 330 Eaton Autoshift and Ultrashift Transmission

11.6. COLUMN SHIFTER, P. 3

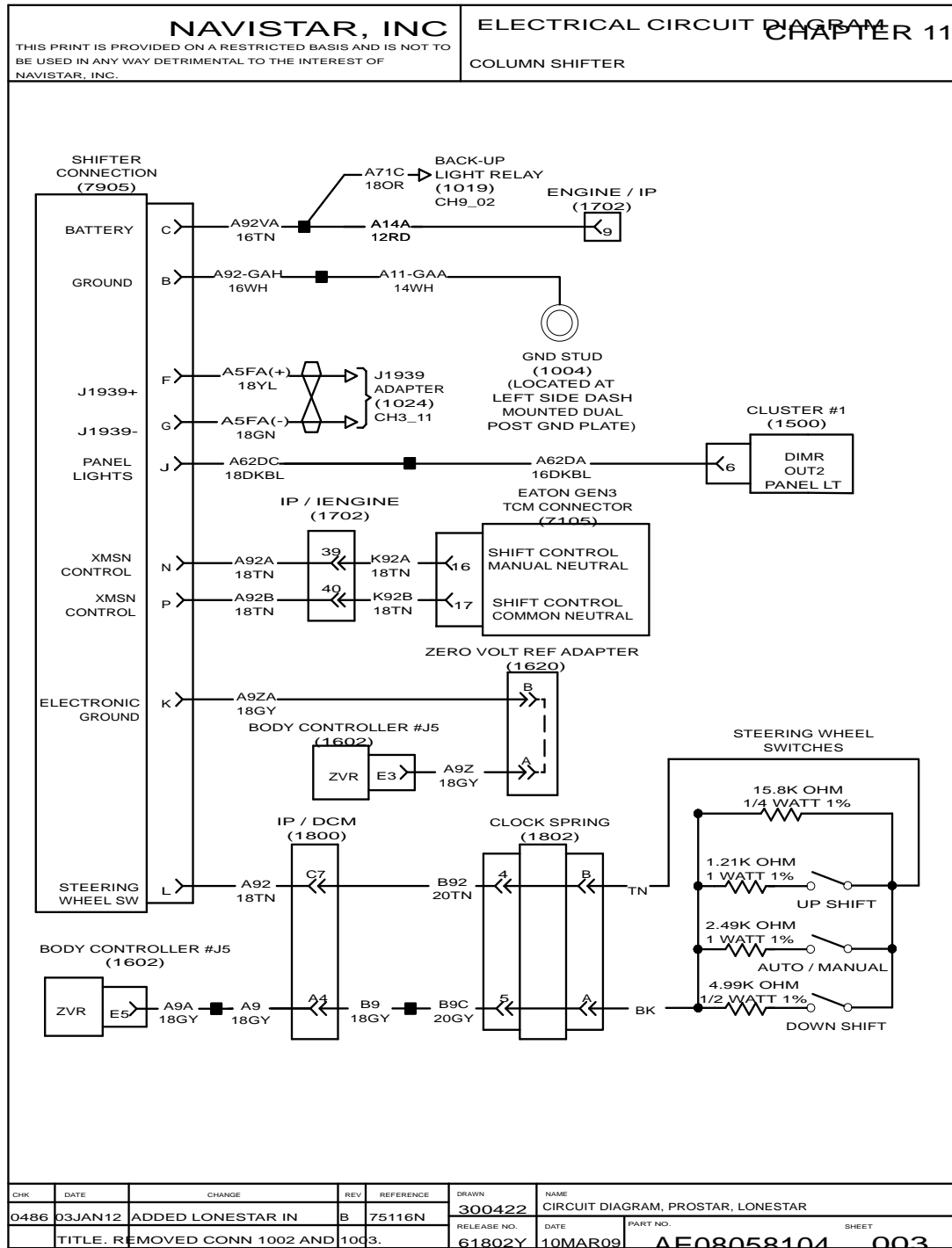


Figure 331 Column Shifter

11.7. COLUMN SHIFTER (CONT.), P. 3A

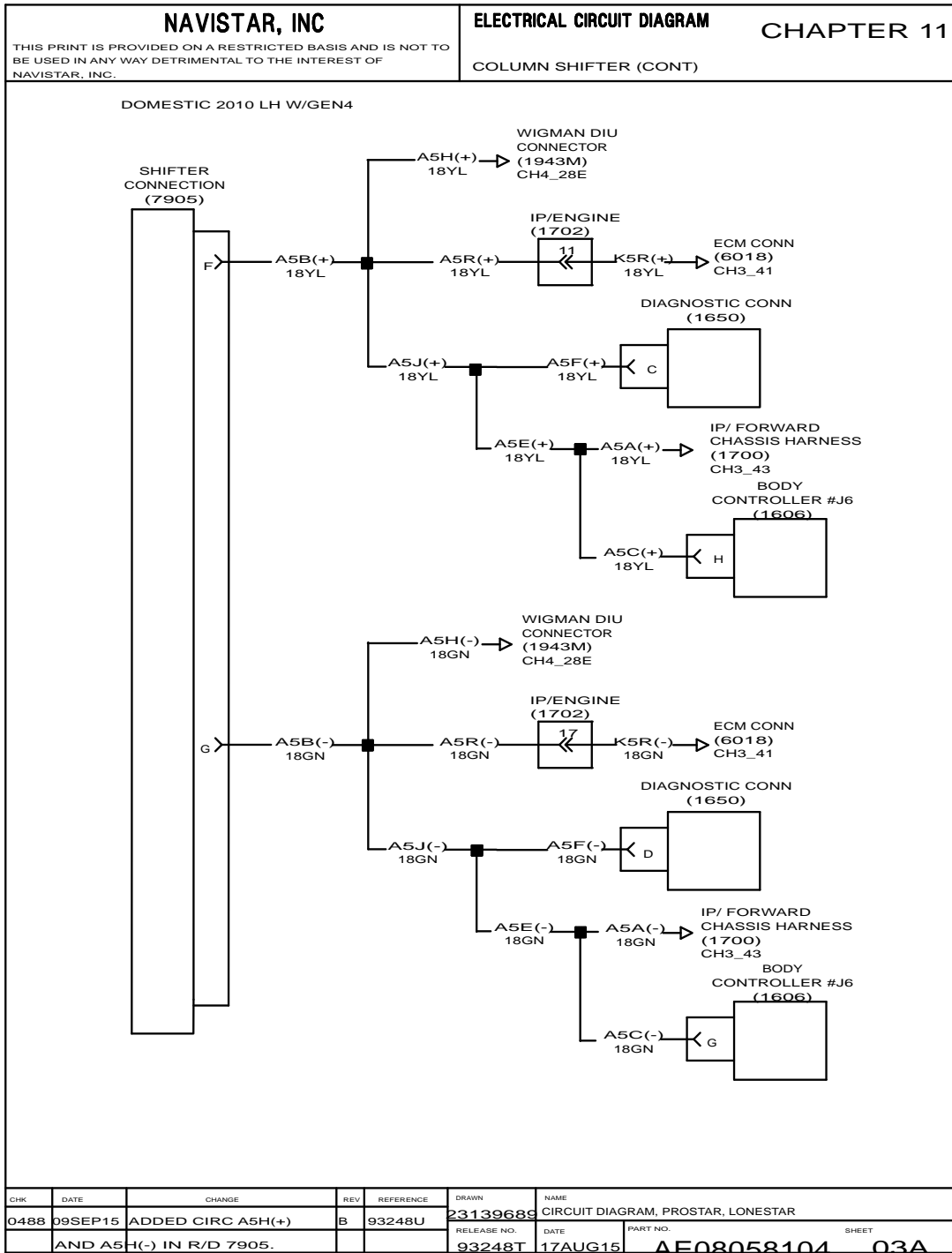


Figure 332 Column Shifter (Cont.)

11.8. ULTRASHIFT TRANSMISSION ECA POWER FOR ISX 2013 AND ISX EURO IV, P. 4

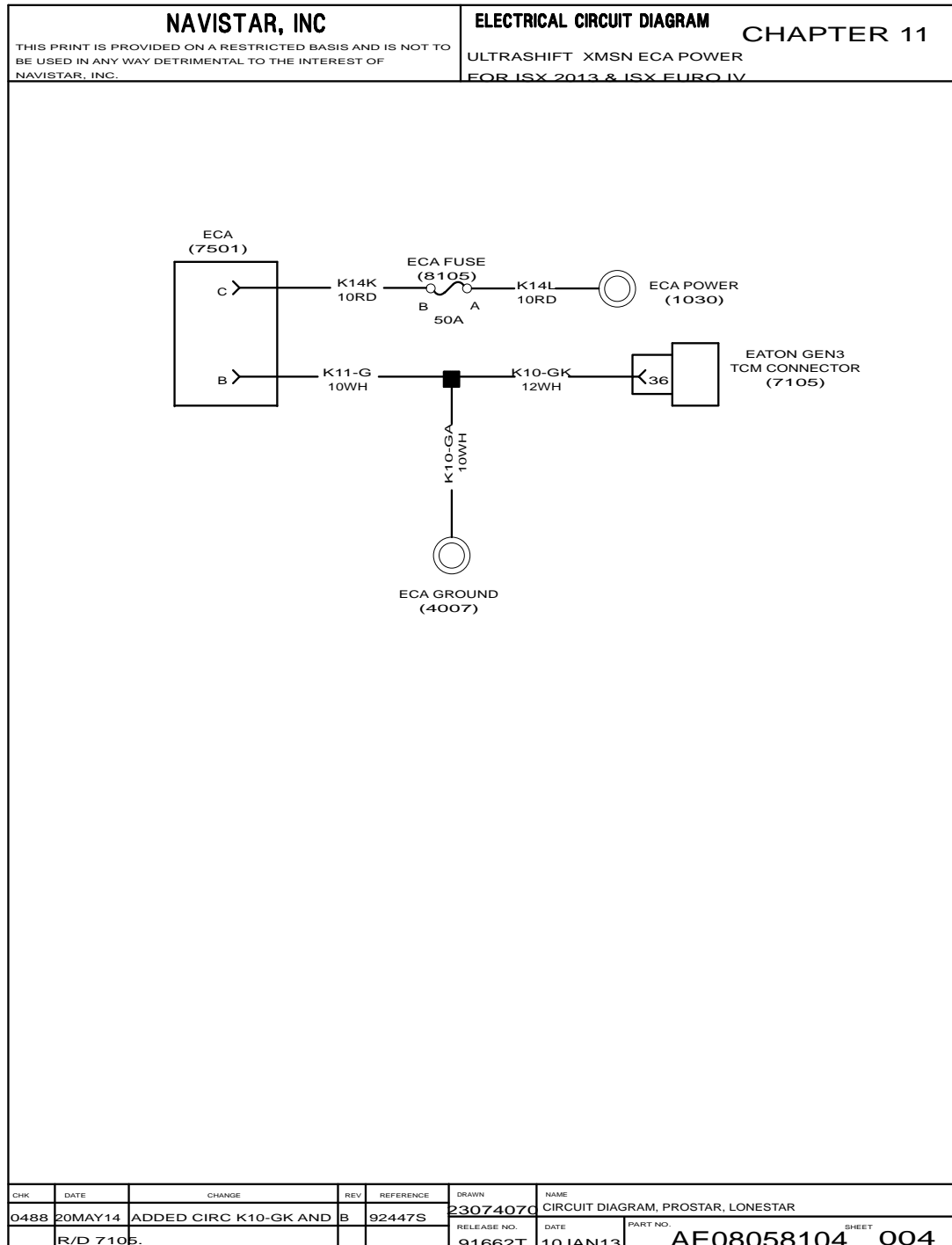


Figure 333 Ultrashift Transmission ECA Power for ISX 2013 and ISX Euro IV

11.9. ALLISON TRANSMISSION (2010 SCR 13L ENG), P. 5

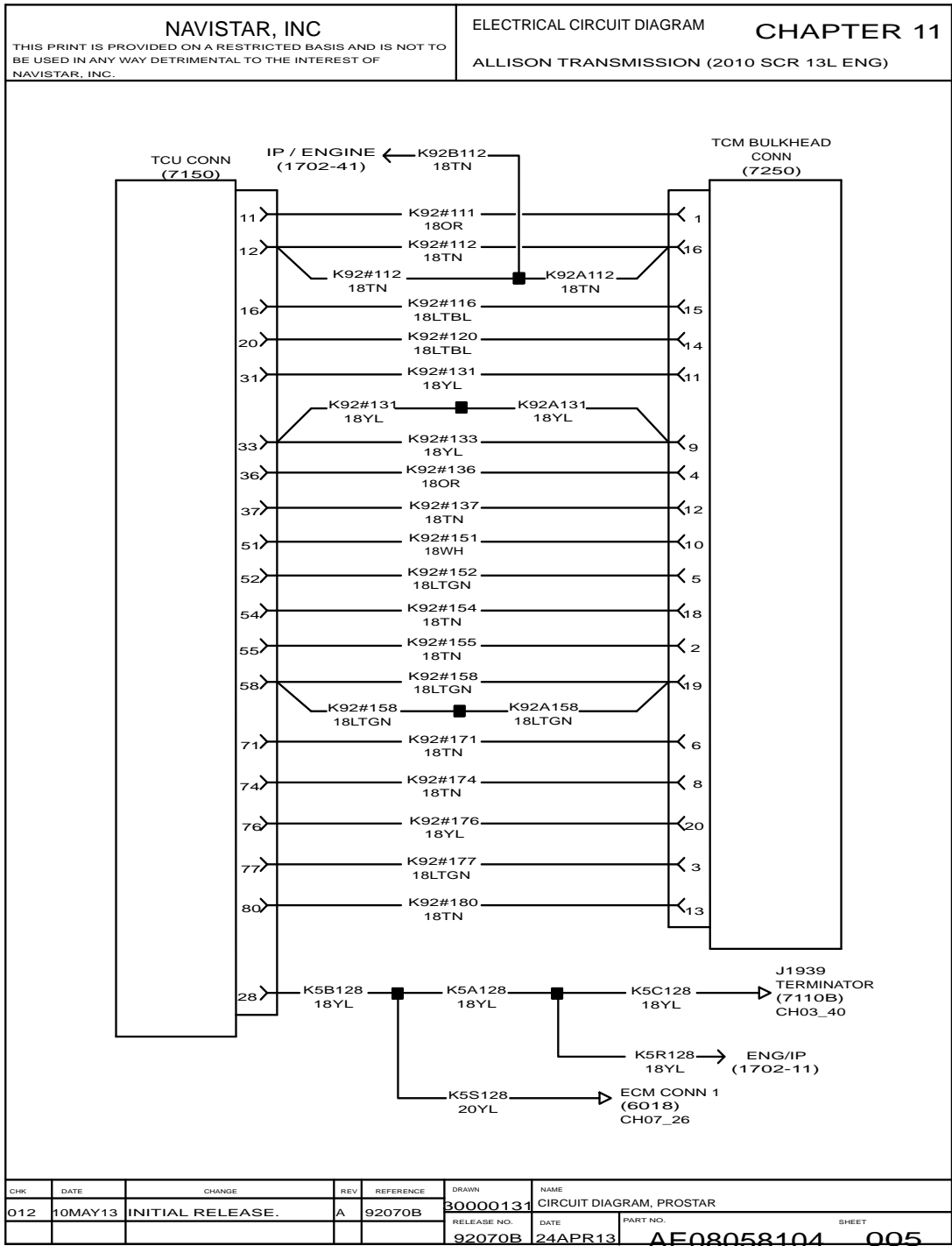


Figure 334 Allison Transmission (2010 SCR 13L Eng)

11.10. ALLISON TRANSMISSION (2010 SCR 13L ENG) (CONT.), P. 6

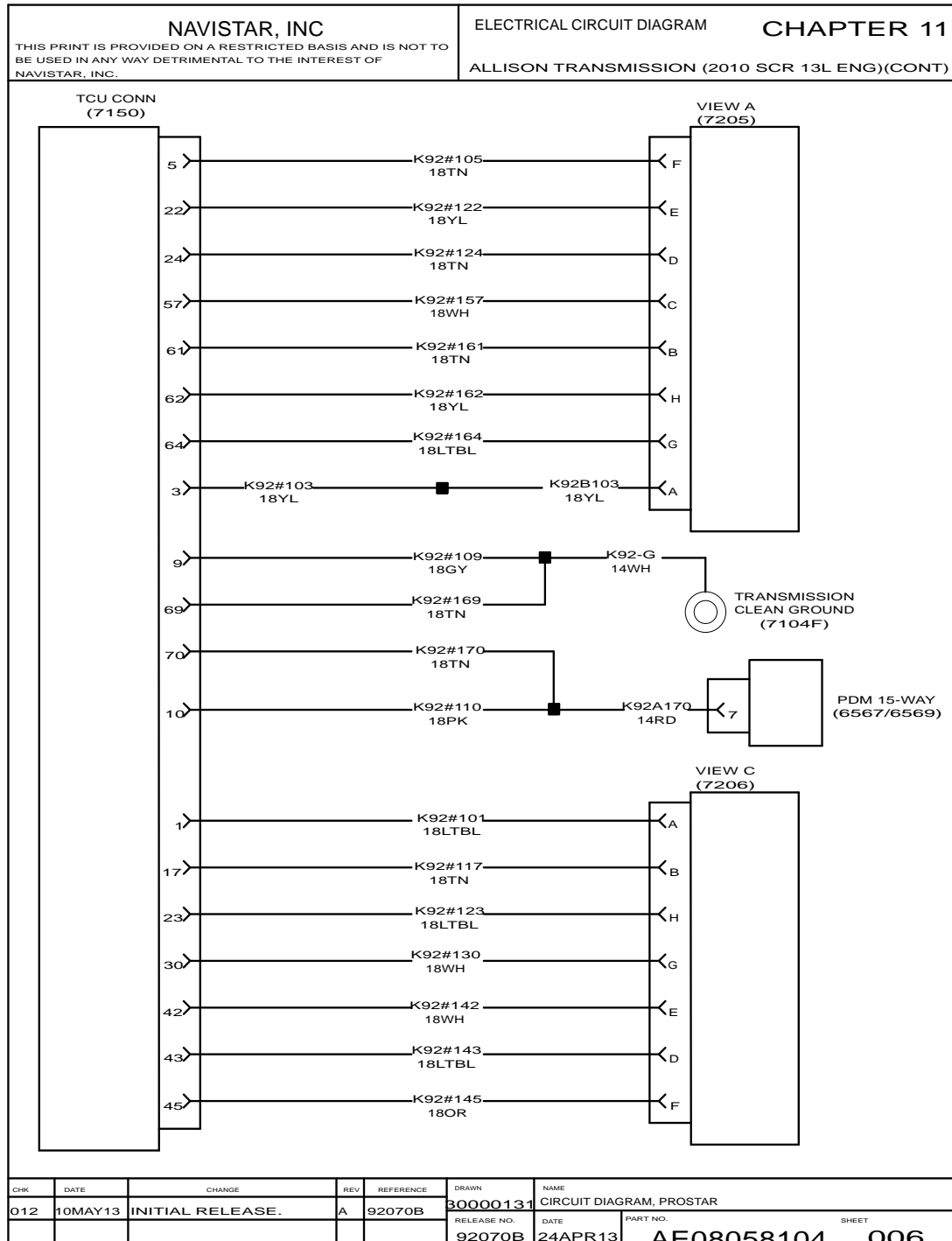


Figure 335 Allison Transmission (2010 SCR 13L Eng) (Cont.)

11.11. ALLISON TRANSMISSION (2010 SCR 13L ENG) (CONT.), P. 7

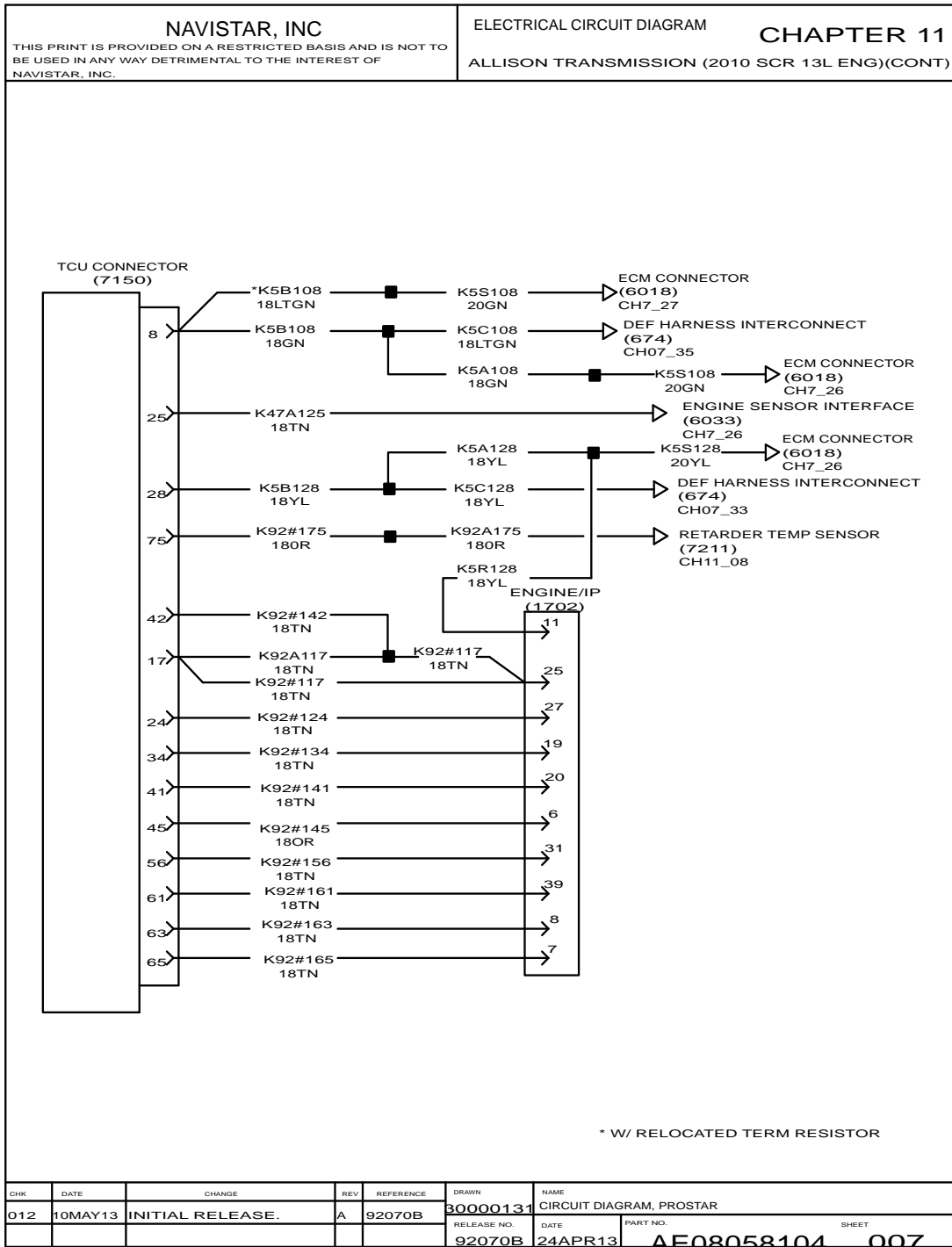


Figure 336 Allison Transmission (2010 SCR 13L Eng) (Cont.)



11.12. ALLISON TRANSMISSION (2010 SCR 13L ENG) (CONT.), P. 8

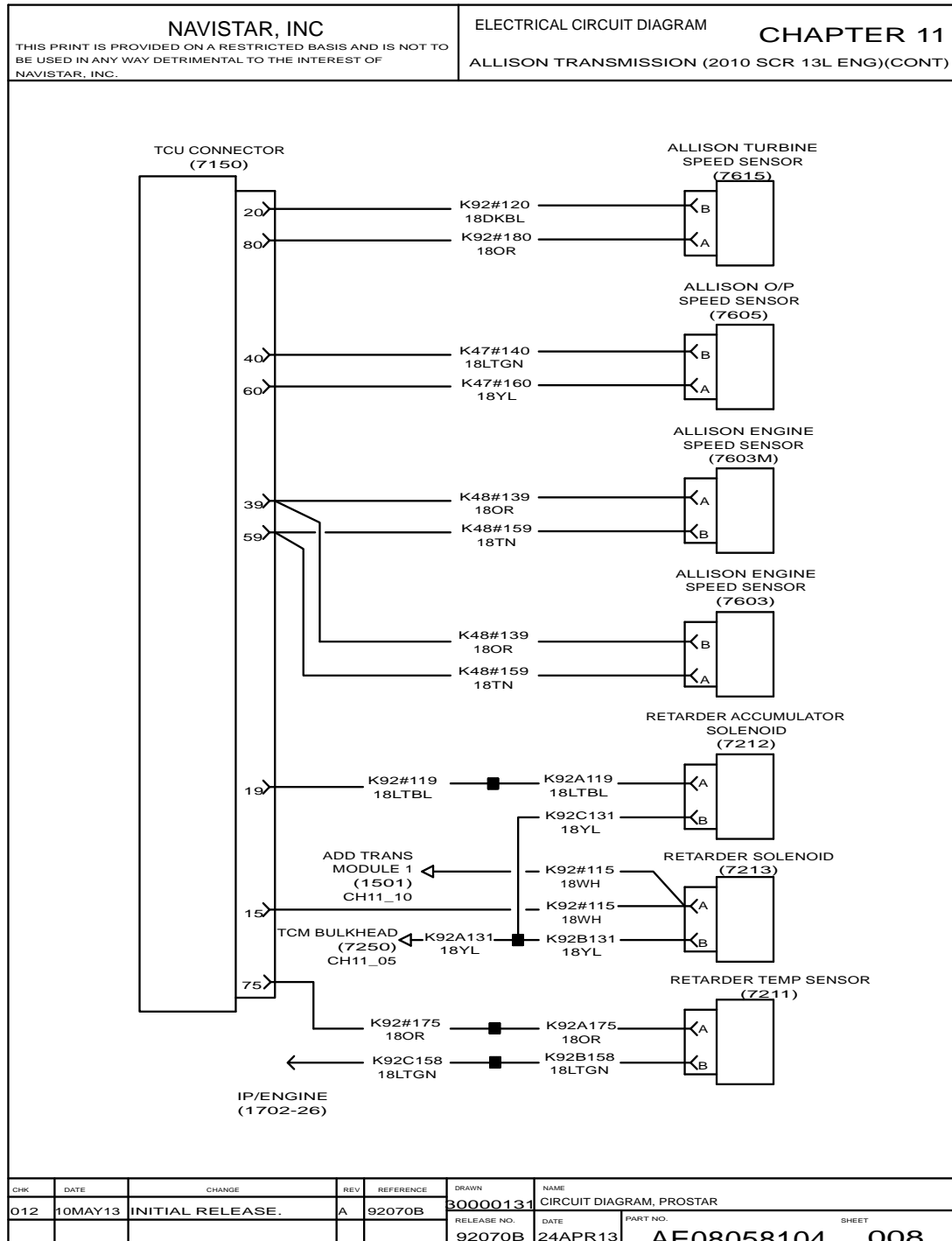


Figure 337 Allison Transmission (2010 SCR 13L Eng) (Cont.)

11.13. ALLISON TRANSMISSION (2010 SCR 13L ENG) (CONT.), P. 9

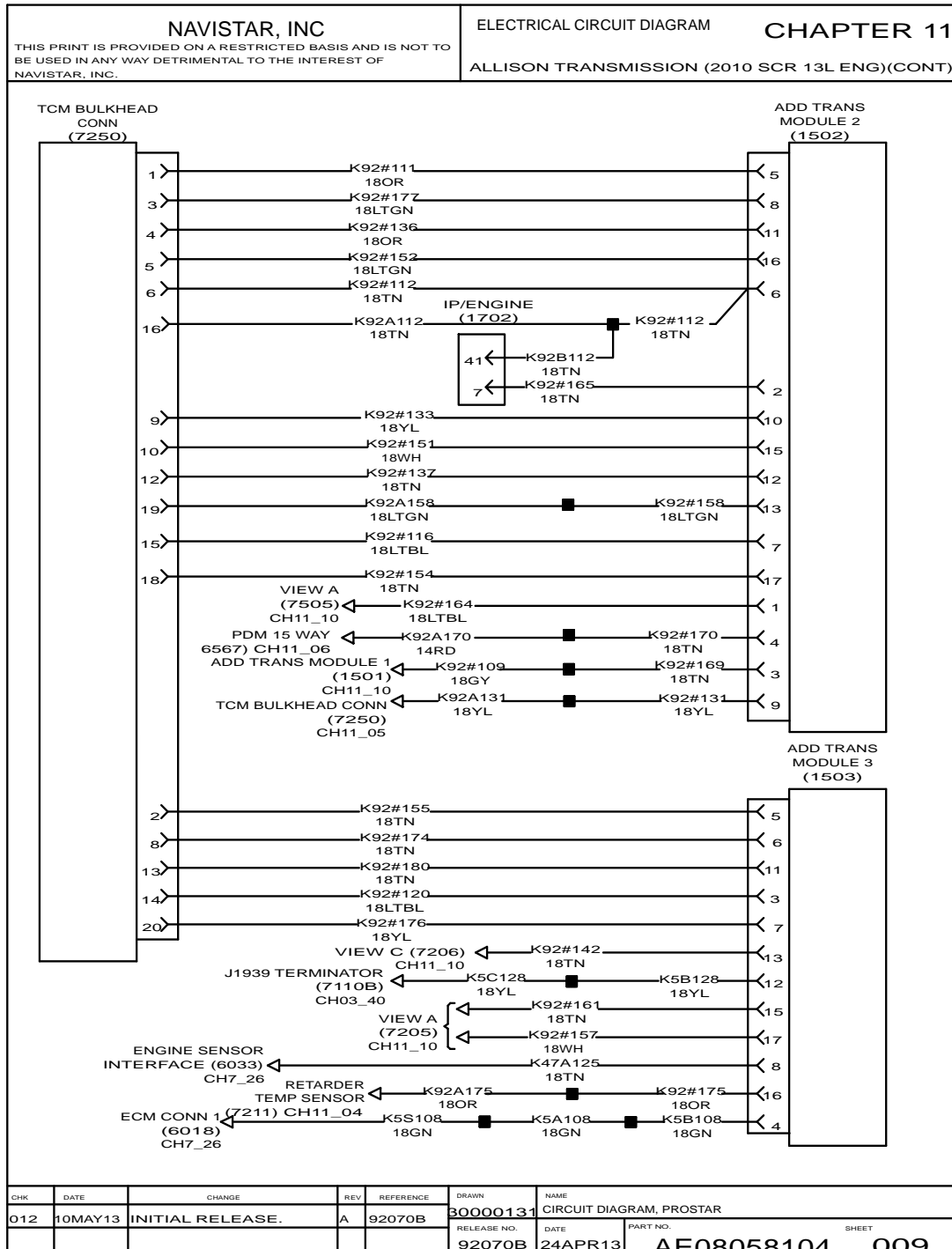


Figure 338 Allison Transmission (2010 SCR 13L Eng) (Cont.)

11.14. ALLISON TRANSMISSION (2010 SCR 13L ENG) (CONT.), P. 10

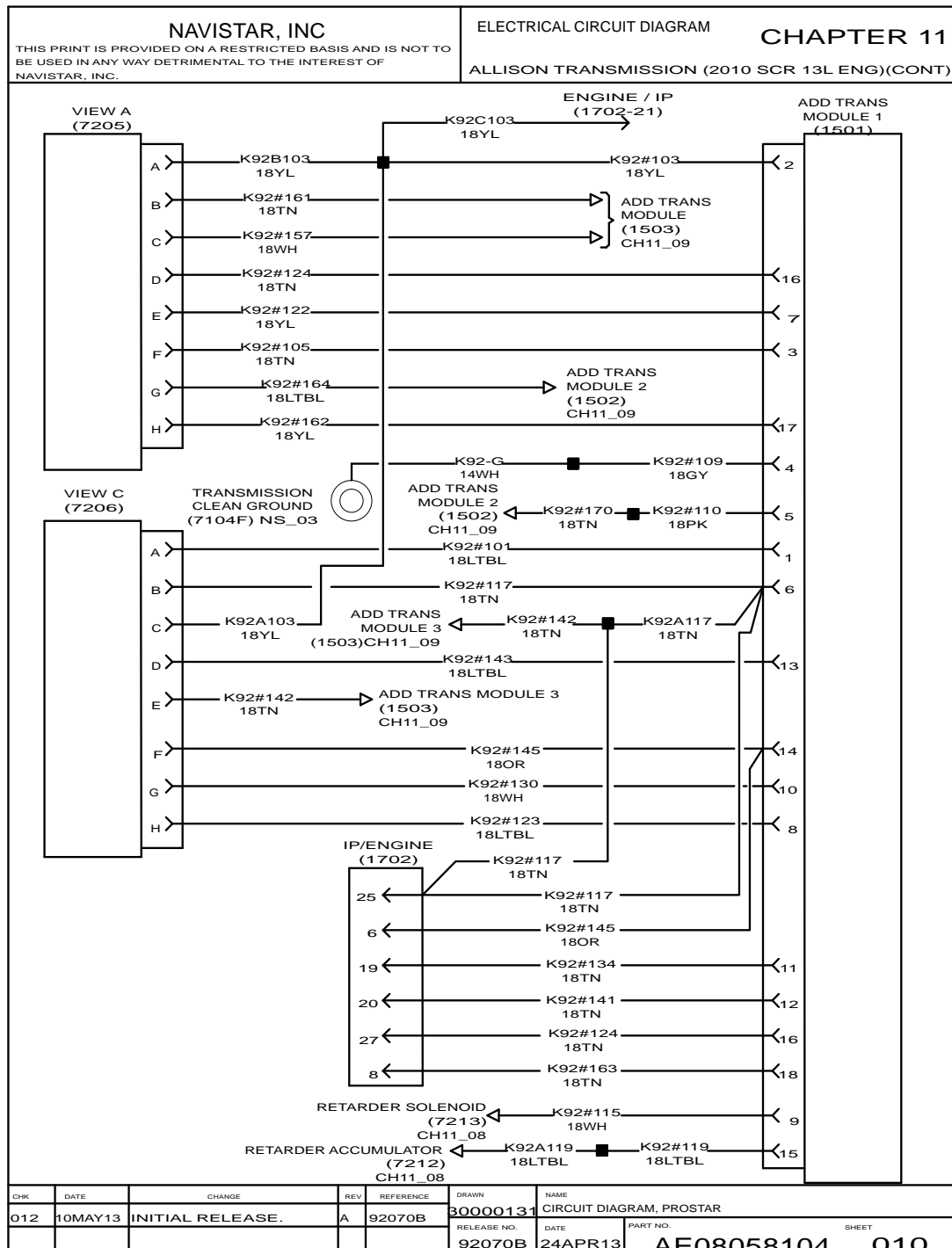


Figure 339 Allison Transmission (2010 SCR 13L Eng) (Cont.)

11.15. ALLISON TRANSMISSION (2010 SCR 13L ENG) (CONT.), P. 11

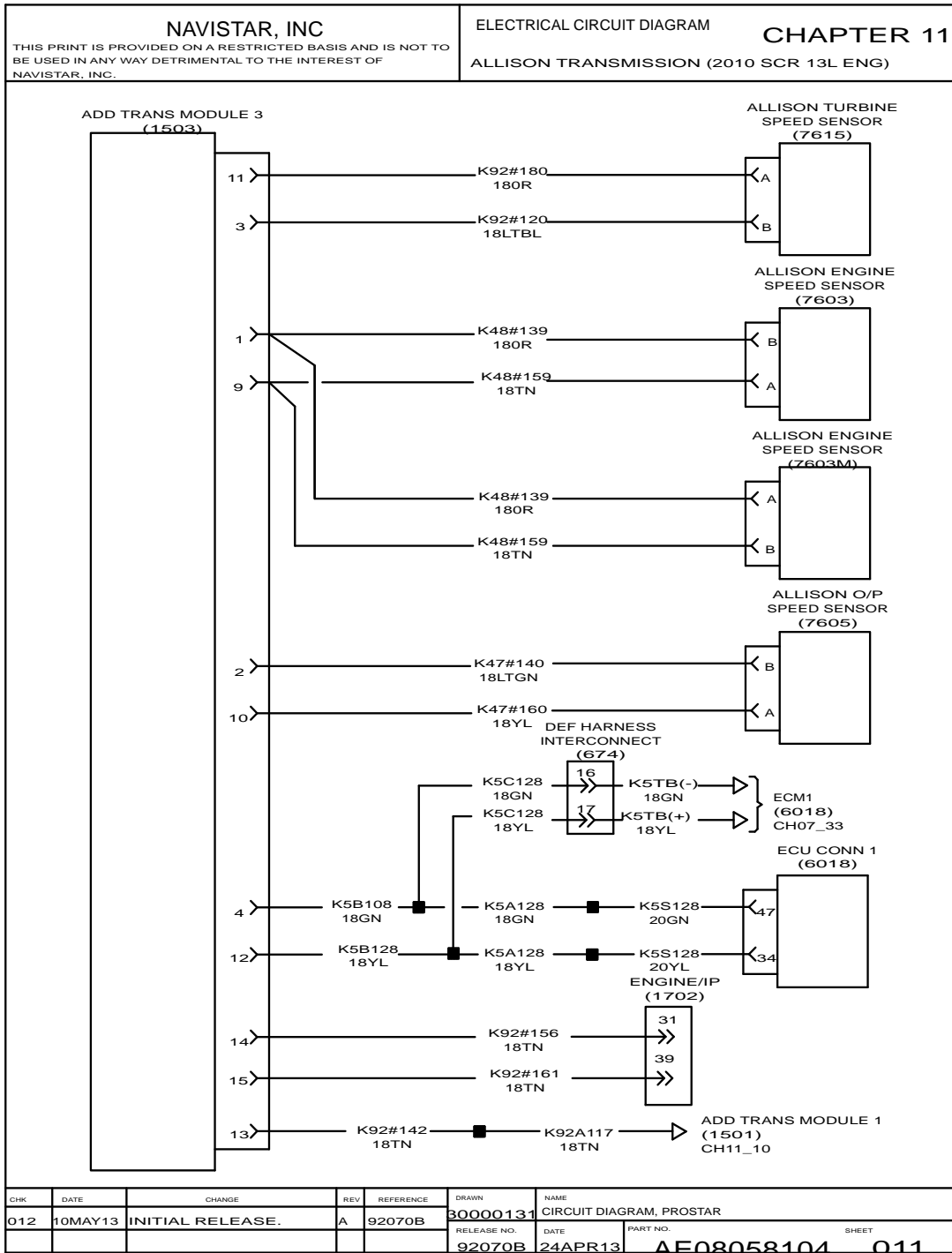


Figure 340 Allison Transmission (2010 SCR 13L Eng) (Cont.)

11.16. ALLISON TC10 TRANSMISSION, P. 12

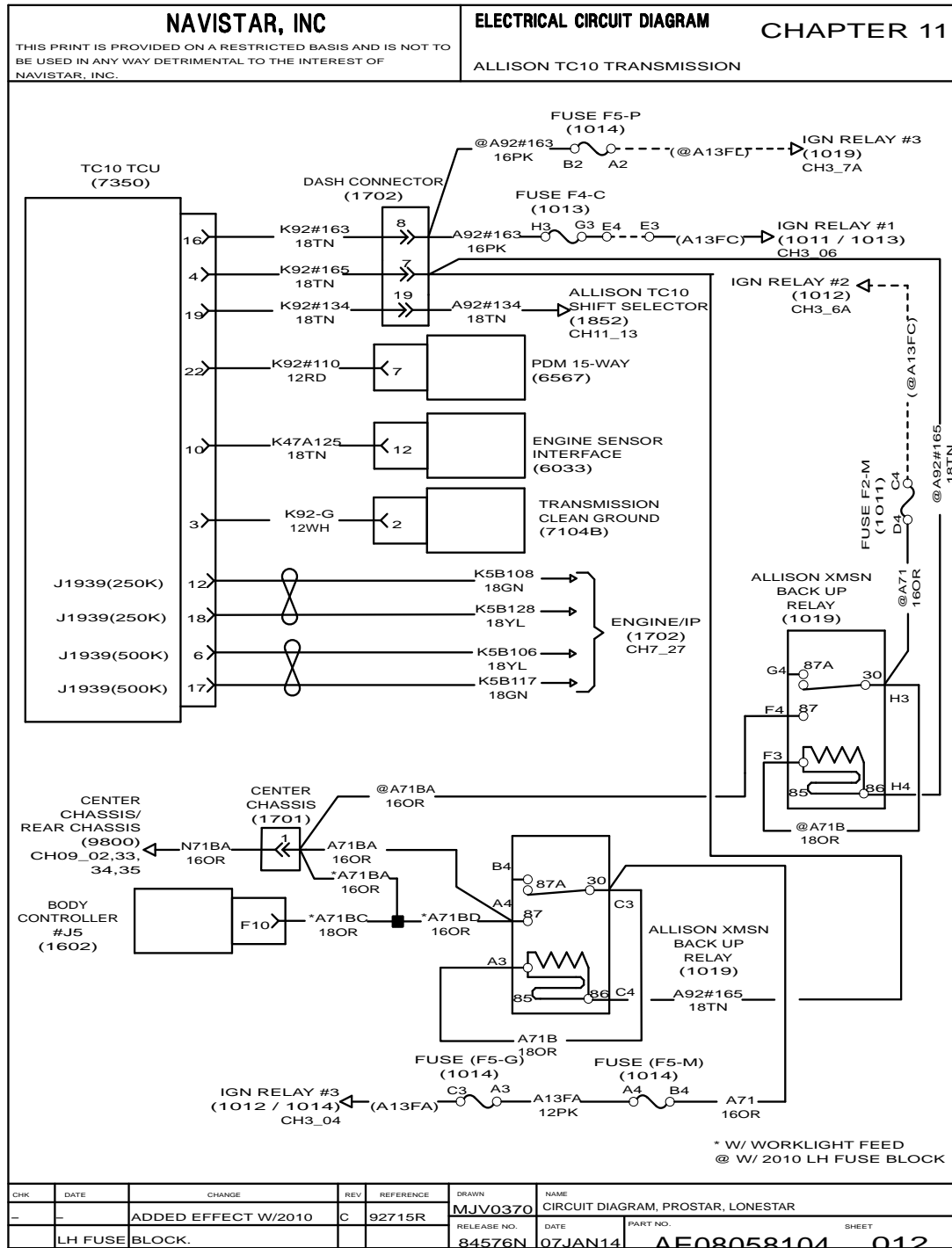


Figure 341 Allison TC10 Transmission

11.17. ALLISON TC10 TRANSMISSION (CONT.), P. 13

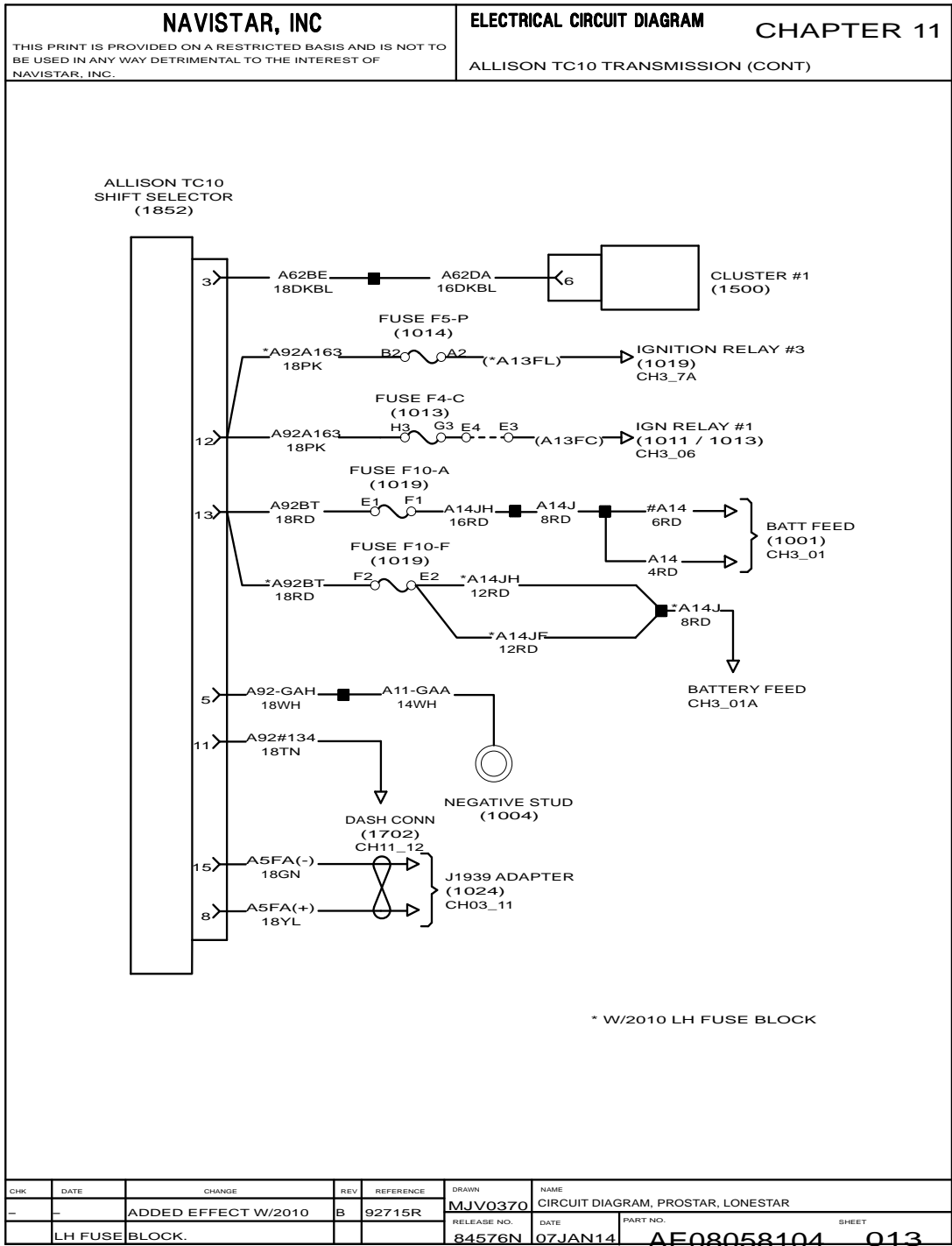


Figure 342 Allison TC10 Transmission (Cont.)

11.18. ALLISON TC10 TRANSMISSION (CONT.), P. 13A

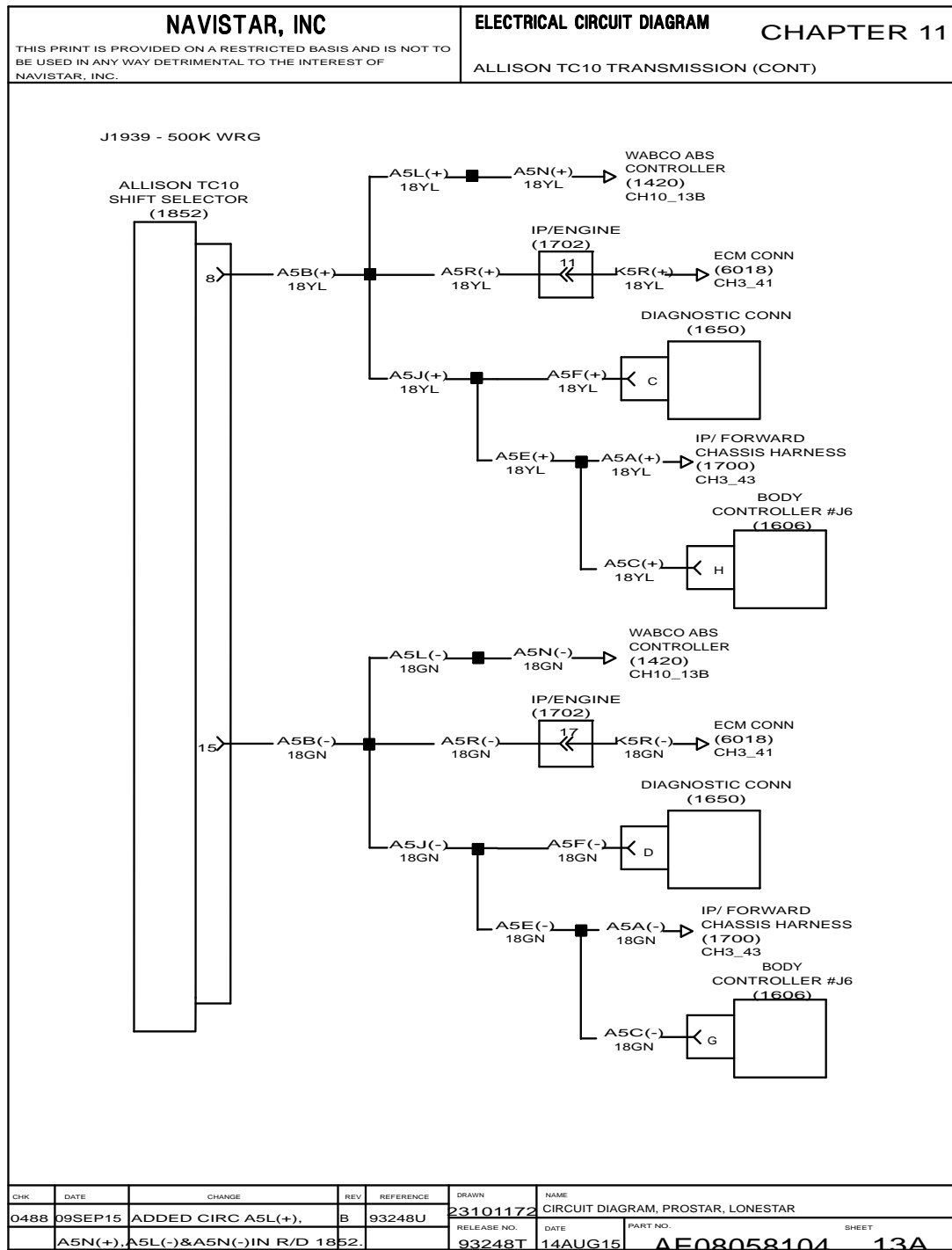


Figure 343 Allison TC10 Transmission (Cont.)

# HVAC (CHAPTER 12)

## 12.1. AIR CONDITIONING, P. 1

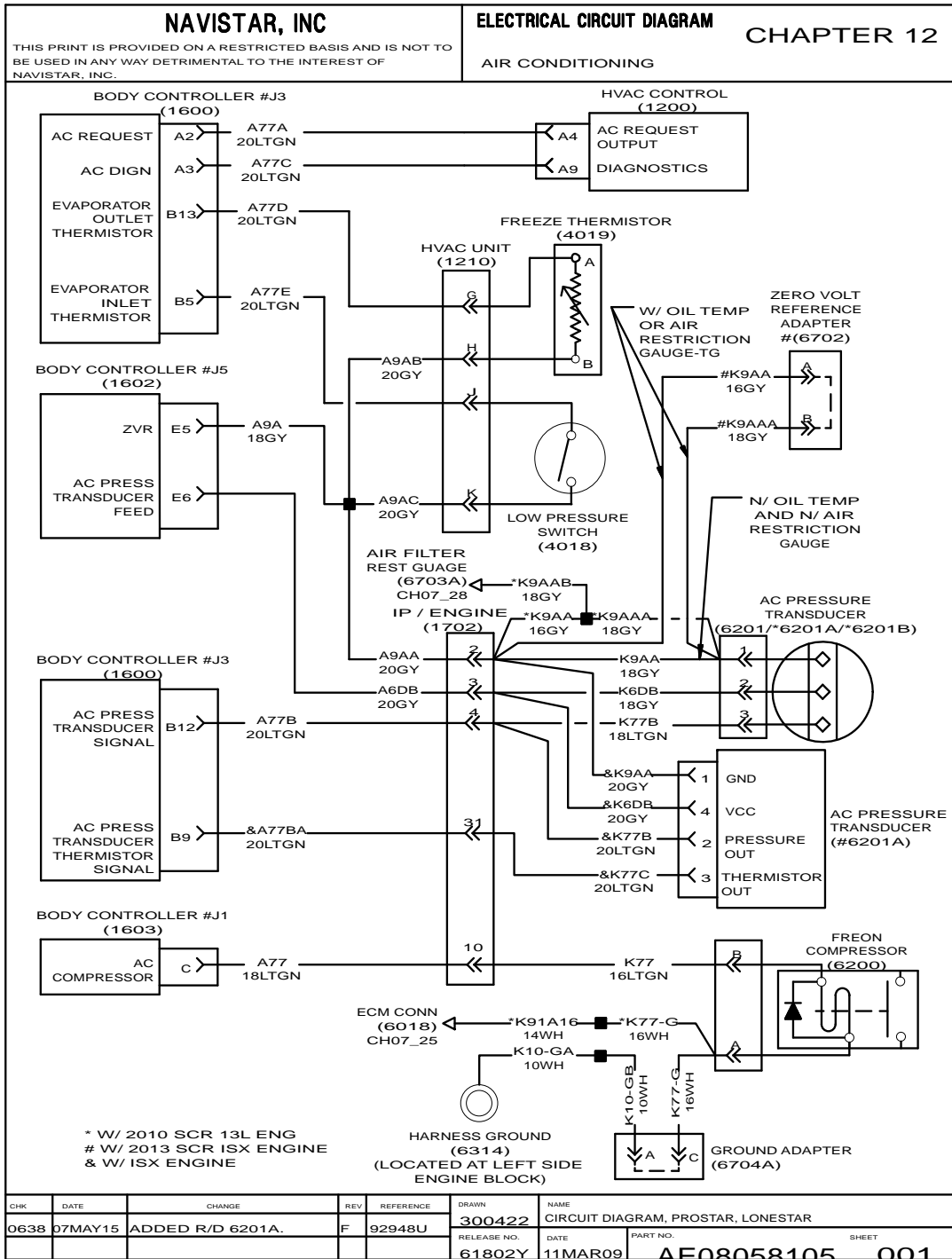


Figure 344 Air Conditioning



12.2. HVAC SYSTEM – CAB, P. 2

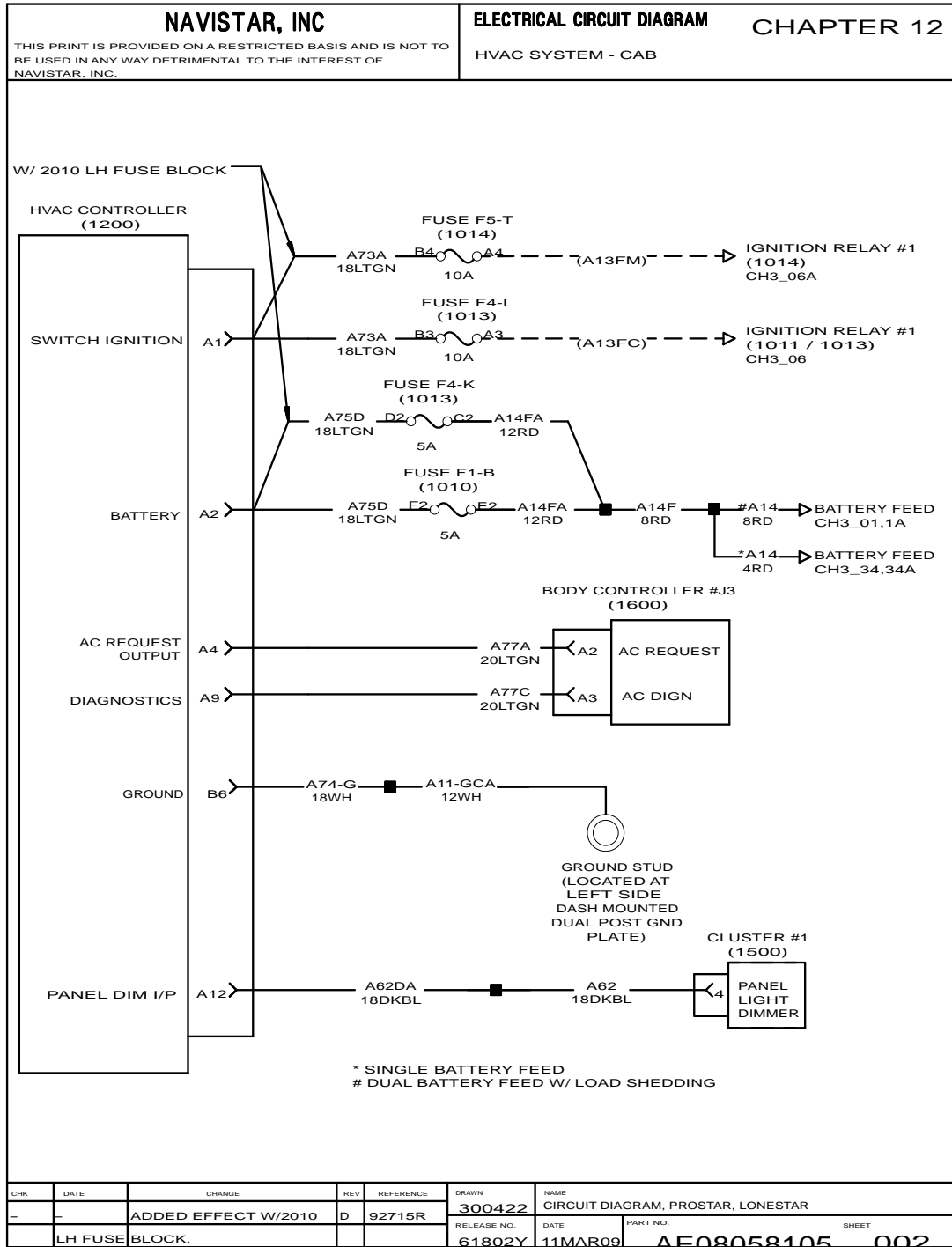


Figure 345 HVAC System – Cab

12.3. HVAC SYSTEM – CAB (CONT.), P. 3

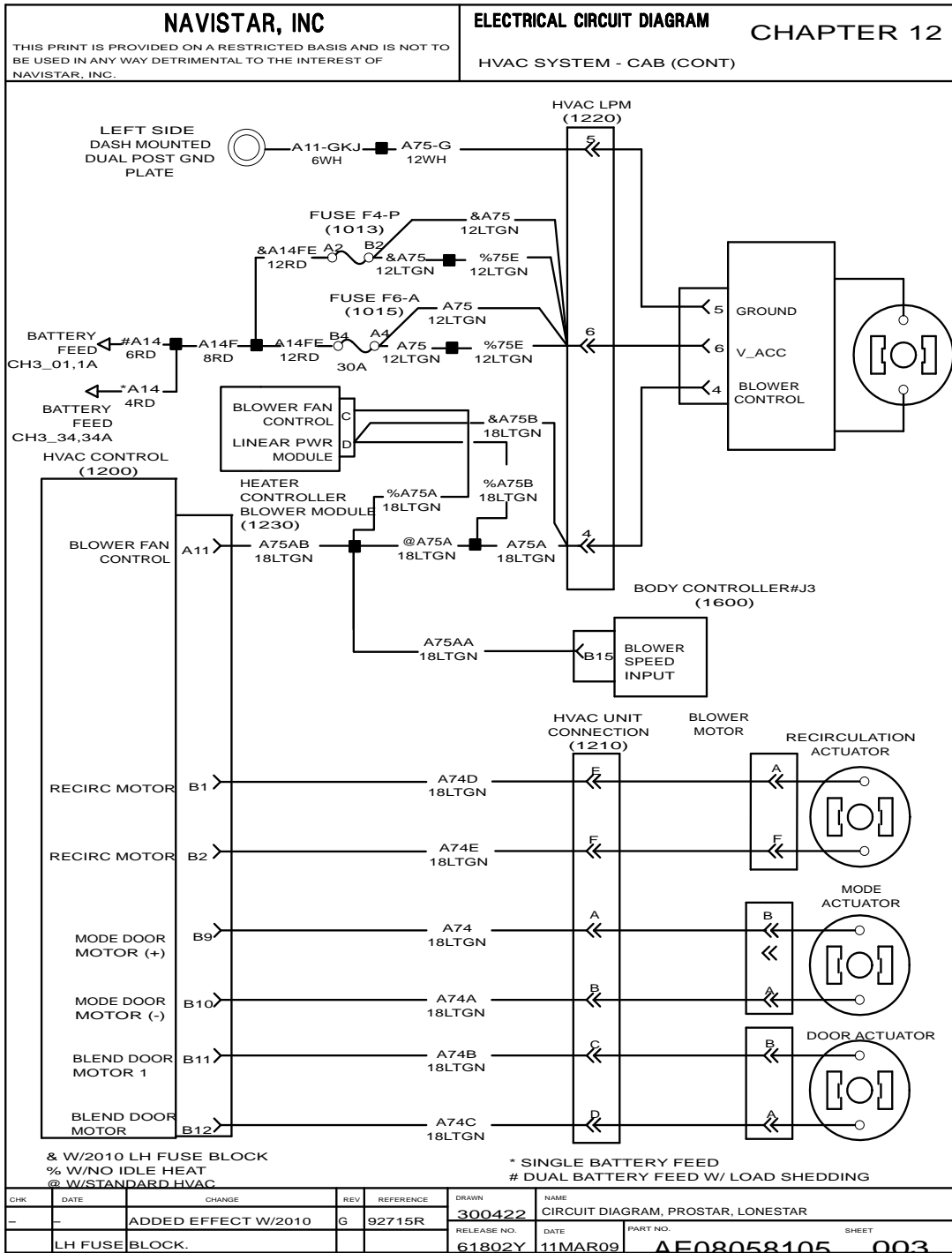


Figure 346 HVAC System – Cab (Cont.)

12.4. HVAC SYSTEM – SLEEPER, P. 4

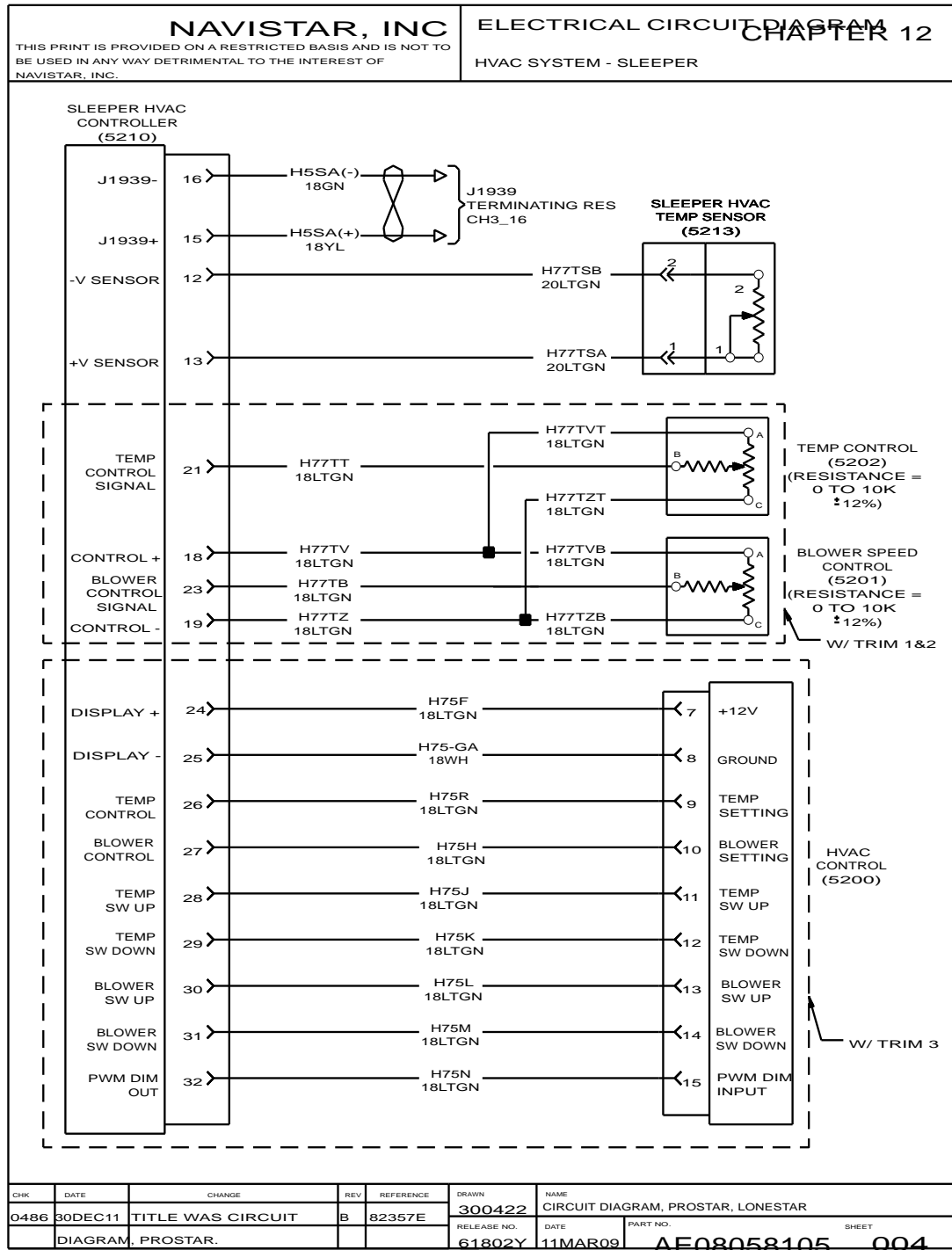


Figure 347 HVAC System – Sleeper

12.5. HVAC SYSTEM – SLEEPER (CONT.), P. 5

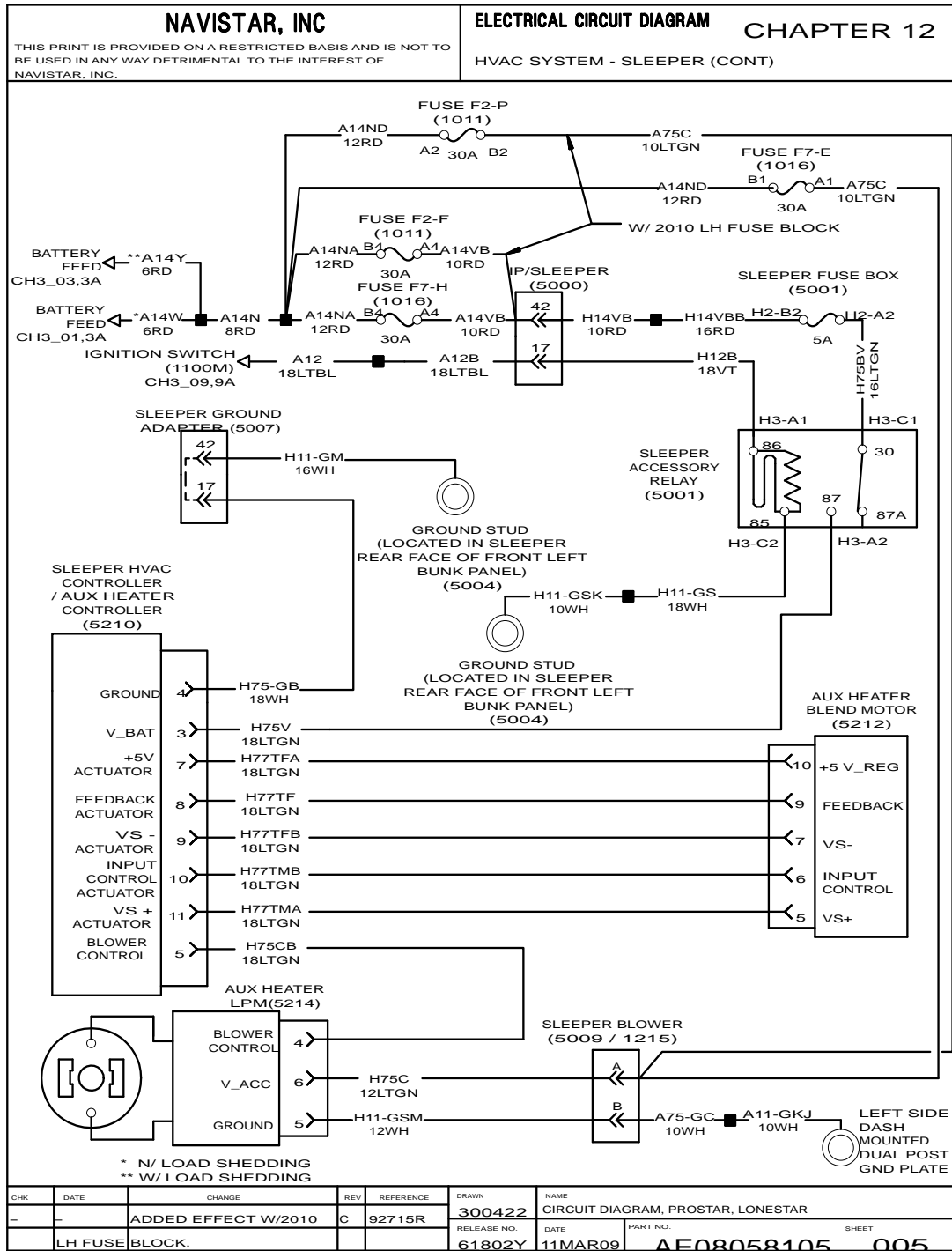


Figure 348 HVAC System – Sleeper (Cont.)

12.6. NO IDLE HEAT AND HVAC – SWITCHES, P. 6

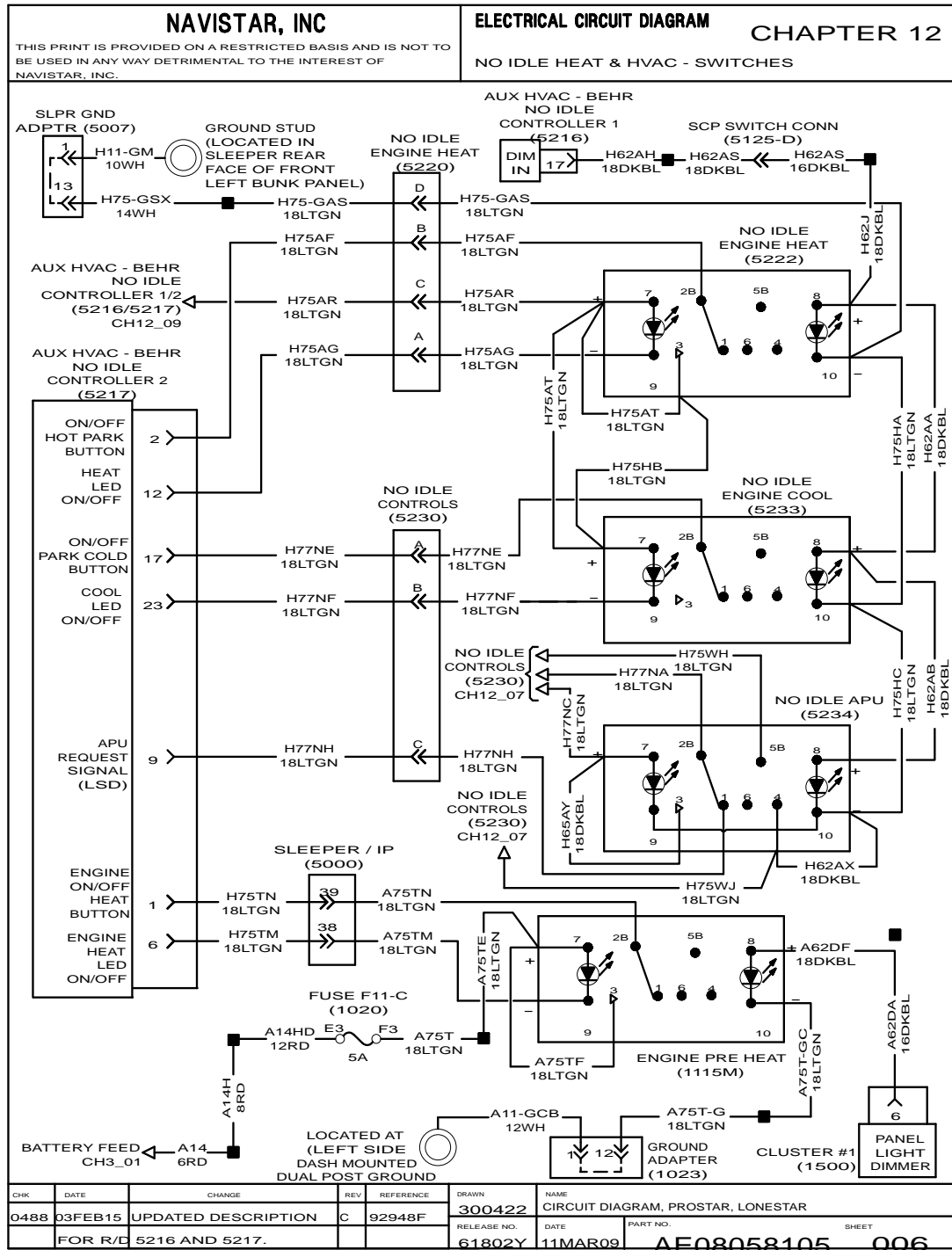


Figure 349 No Idle Heat and HVAC – Switches

12.7. NO IDLE HEAT AND HVAC – APU, P. 7

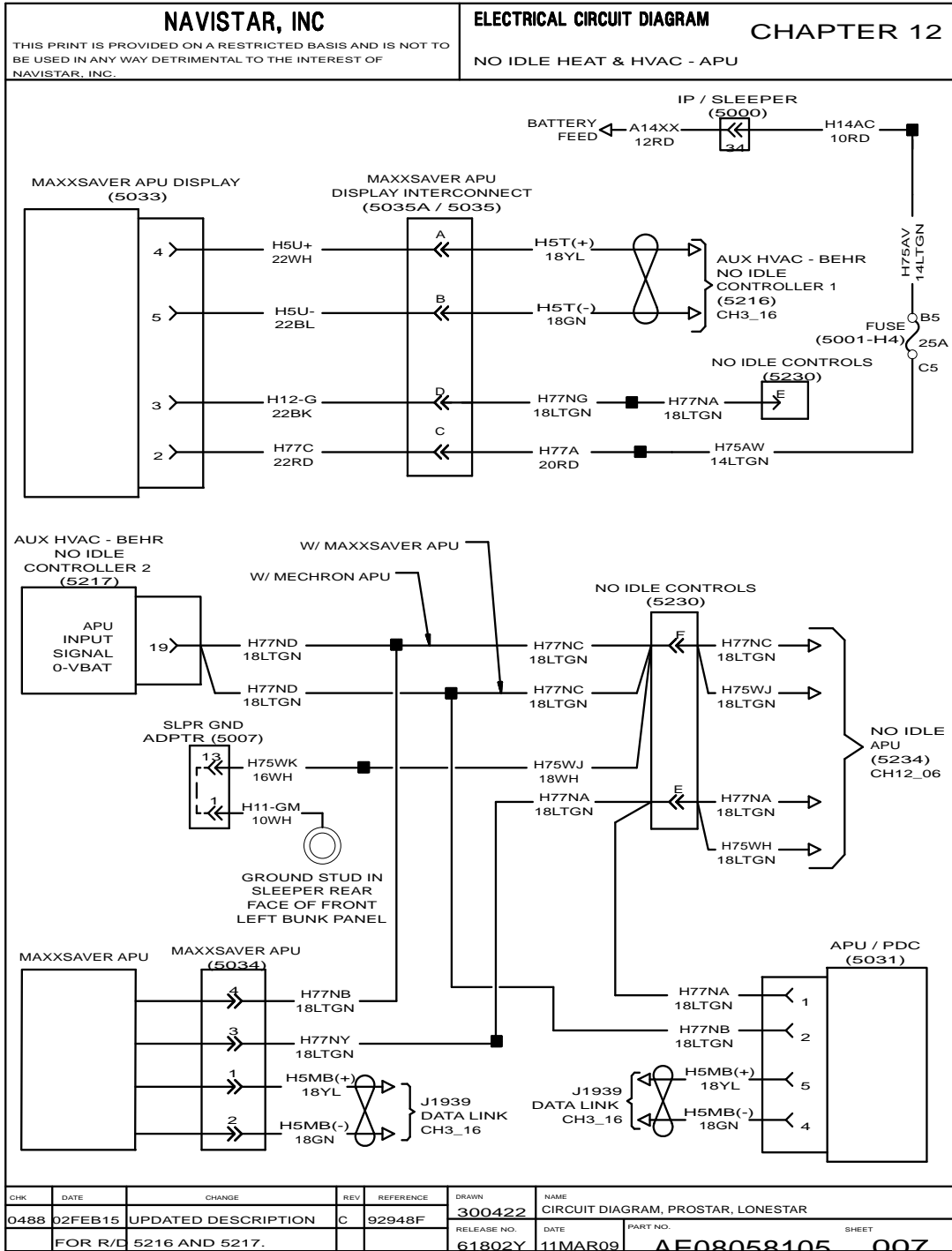


Figure 350 No Idle Heat and HVAC – APU

12.8. NO IDLE HEAT AND HVAC – SENSORS AND HVAC CONTROL, P. 8

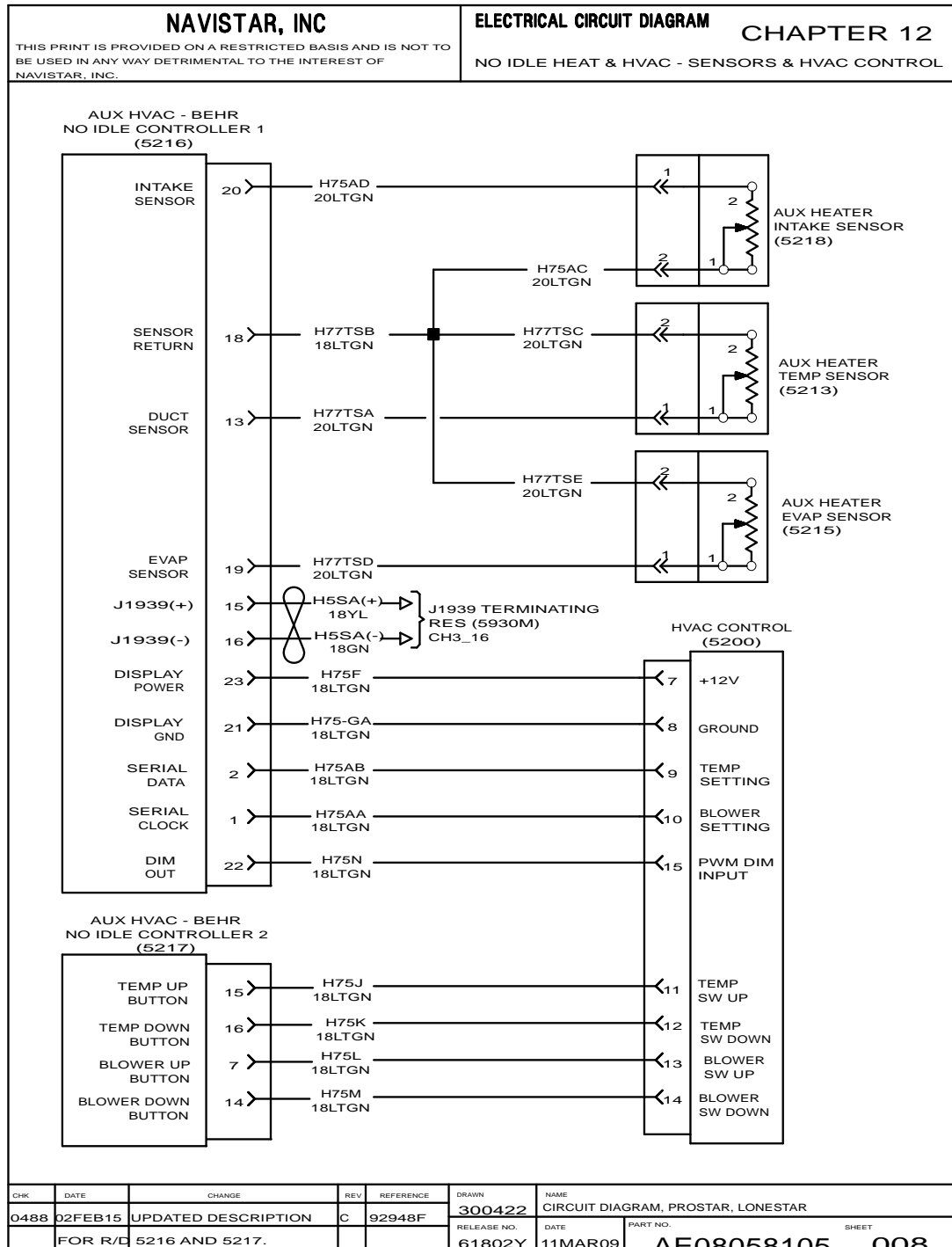


Figure 351 No Idle Heat and HVAC – Sensors and HVAC Control

12.9. HVAC TEMPERATURE SENDER, P. 8A

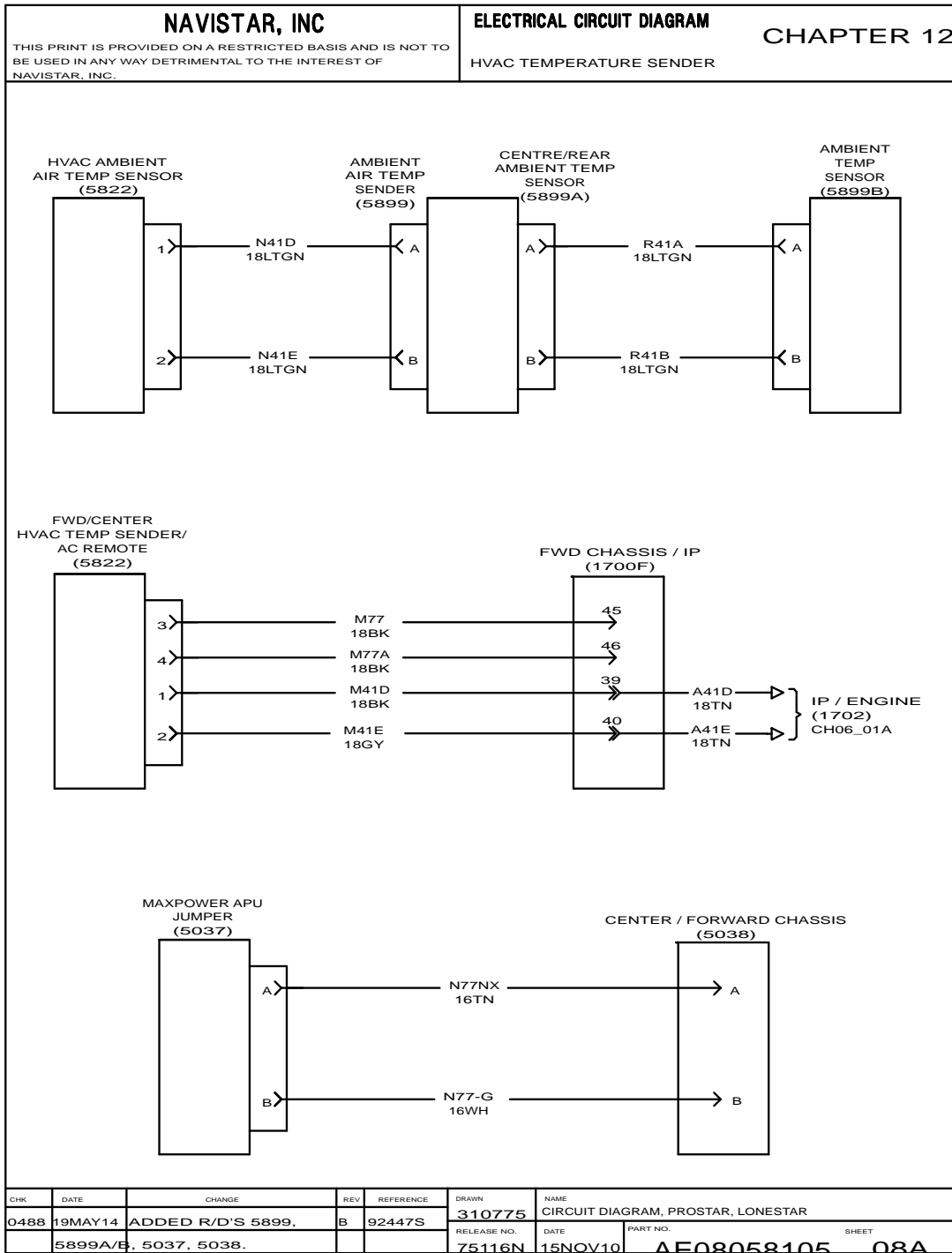


Figure 352 HVAC Temperature Sender



12.10. NO IDLE HEAT AND HVAC – POWER SUPPLY, P. 9

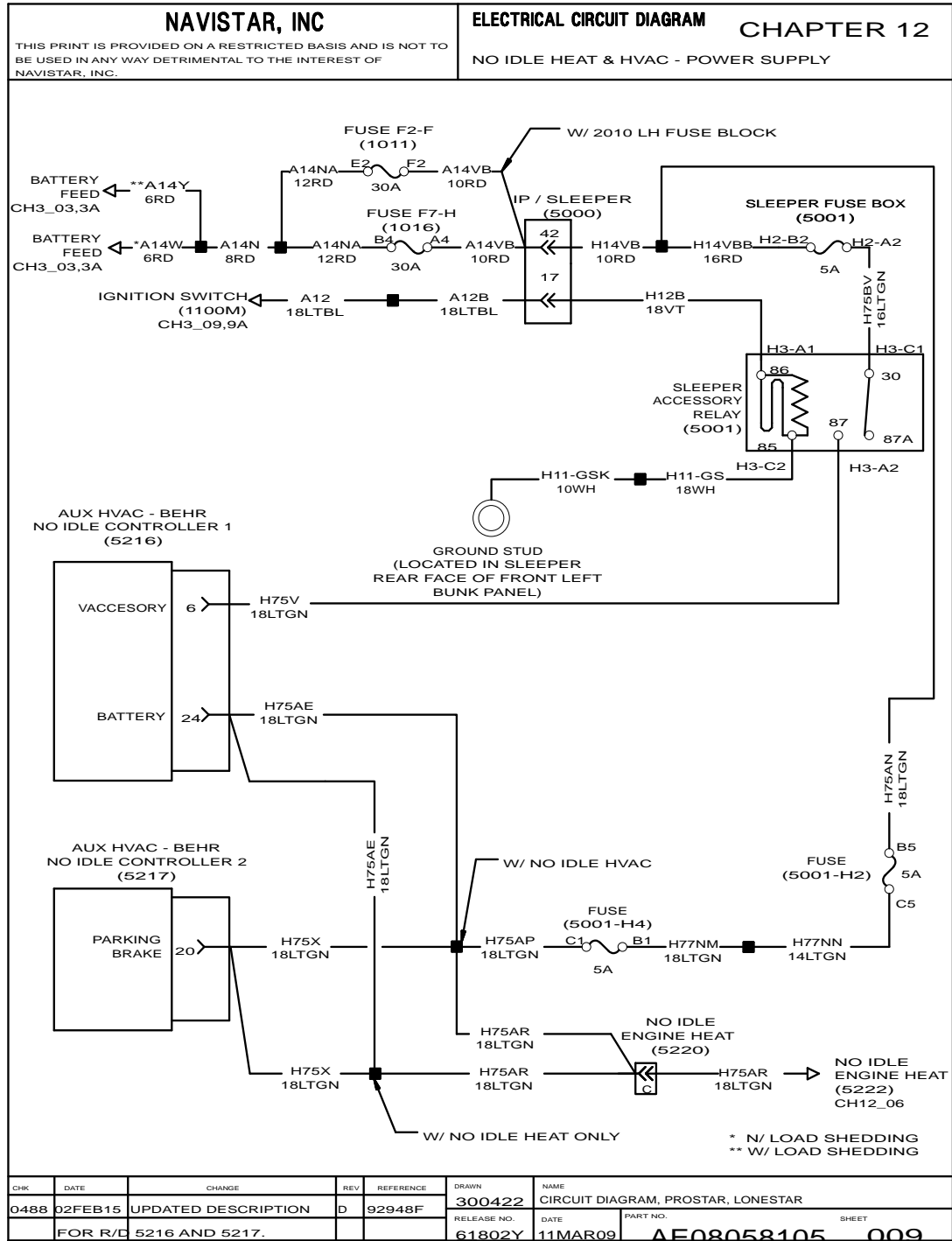


Figure 353 No Idle Heat and HVAC – Power Supply

12.11. NO IDLE HEAT AND HVAC – HEAT VALVE, LPM AND BLEND MOTOR, P. 10

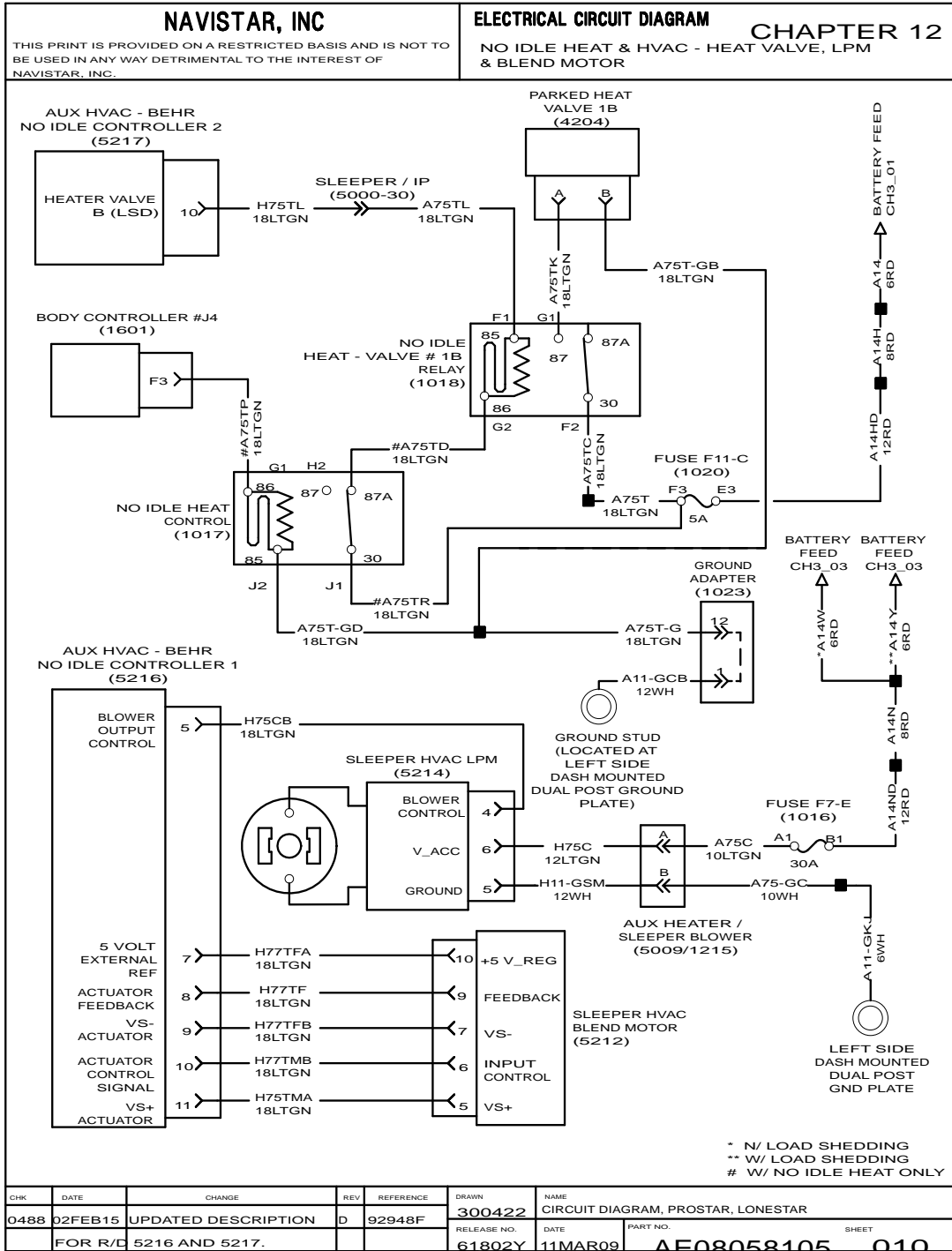


Figure 354 No Idle Heat and HVAC – Heat Valve, LPM and Blend Motor

12.12. NO IDLE HEAT AND HVAC – FUEL FIRED HEATER AND A/C COMPRESSOR, P. 11

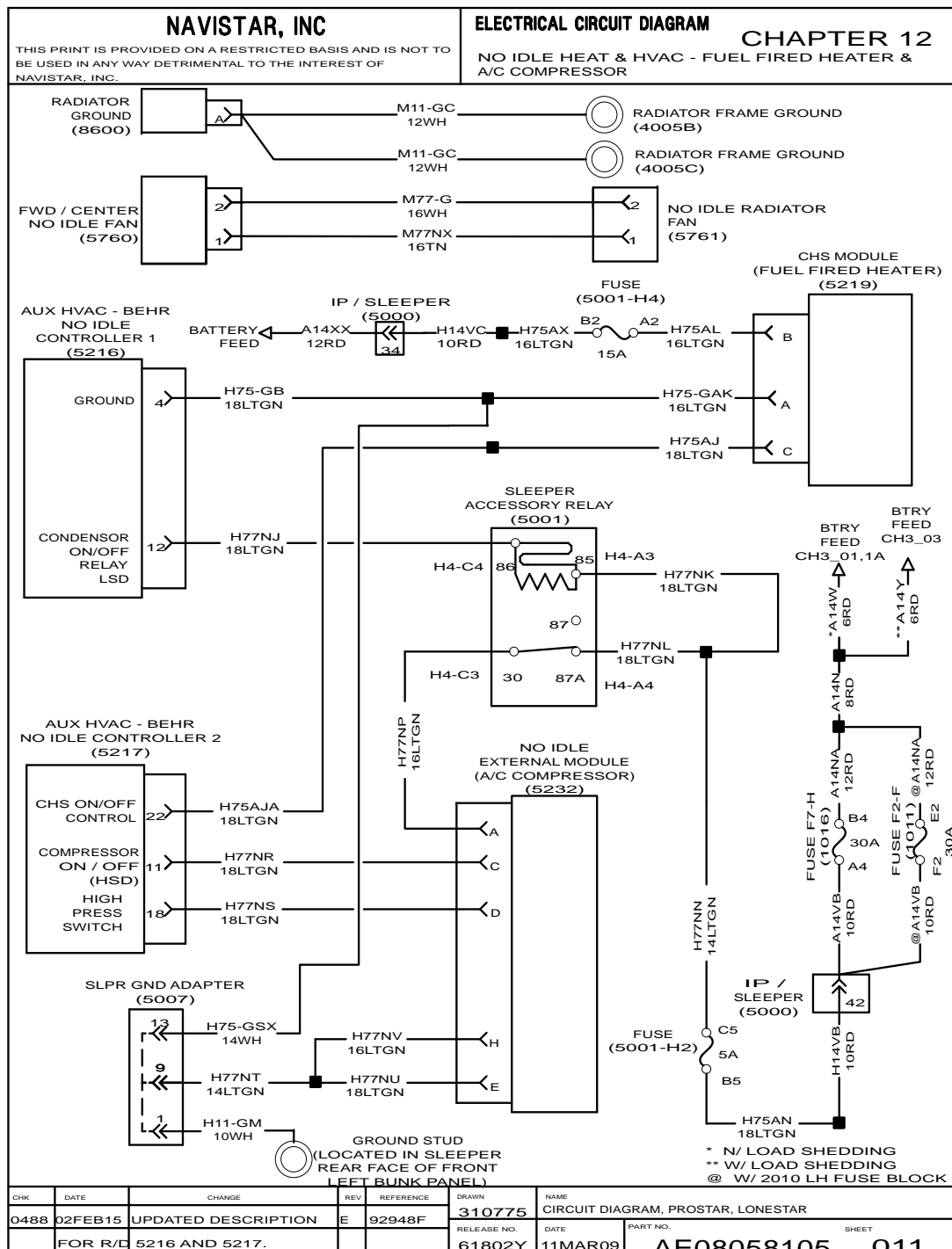


Figure 355 No Idle Heat and HVAC – Fuel Fired Heater and A/C Compressor

12.13. NO IDLE HEATER, ESPAR IN CAB FUEL FIRED HEATER, P. 12

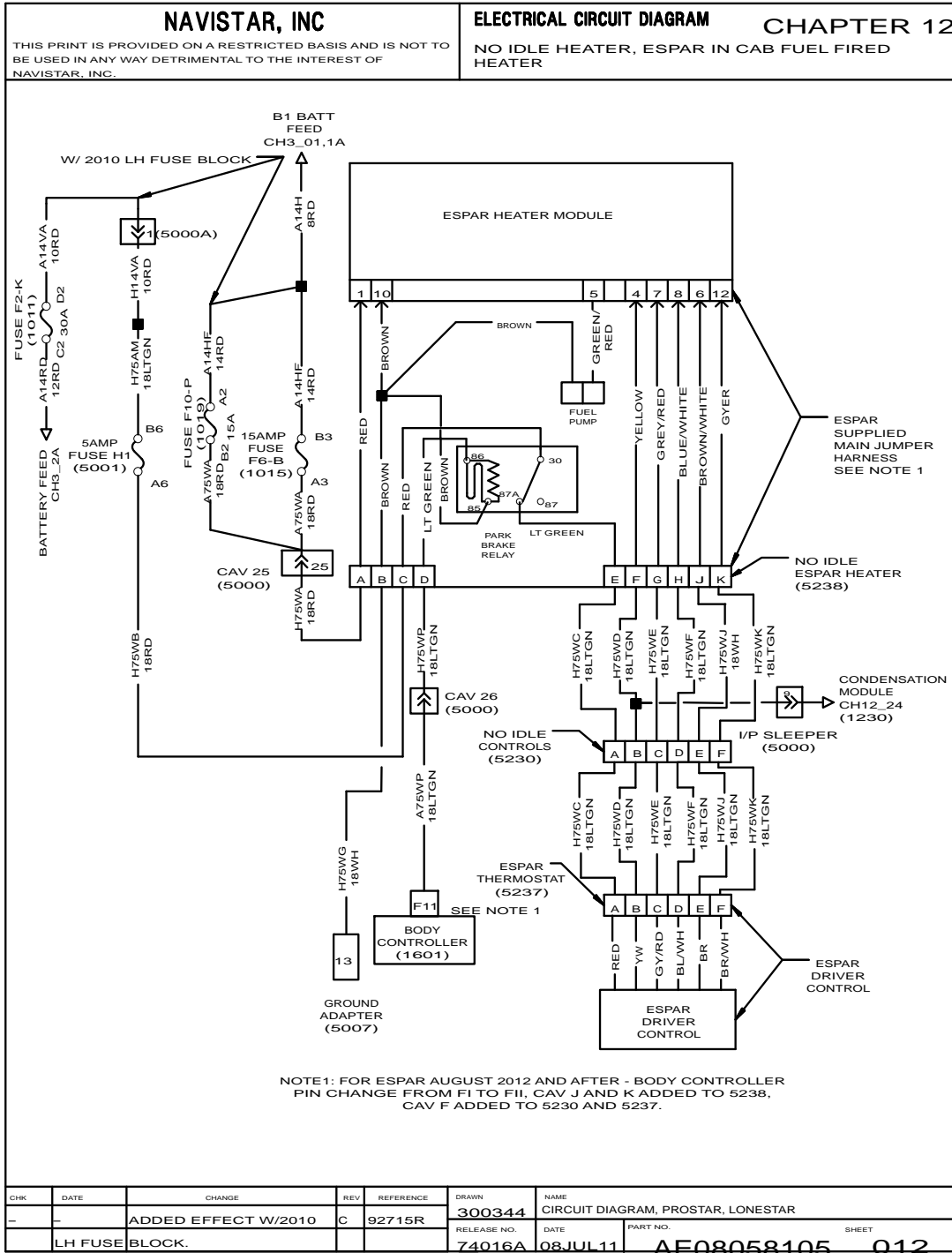


Figure 356 No Idle Heater, ESPAR in Cab Fuel Fired Heater

12.14. NO IDLE HEATER, ESPAR IN CAB FUEL FIRED HEATER WIRED FOR KEY OFF MODE, P. 12A

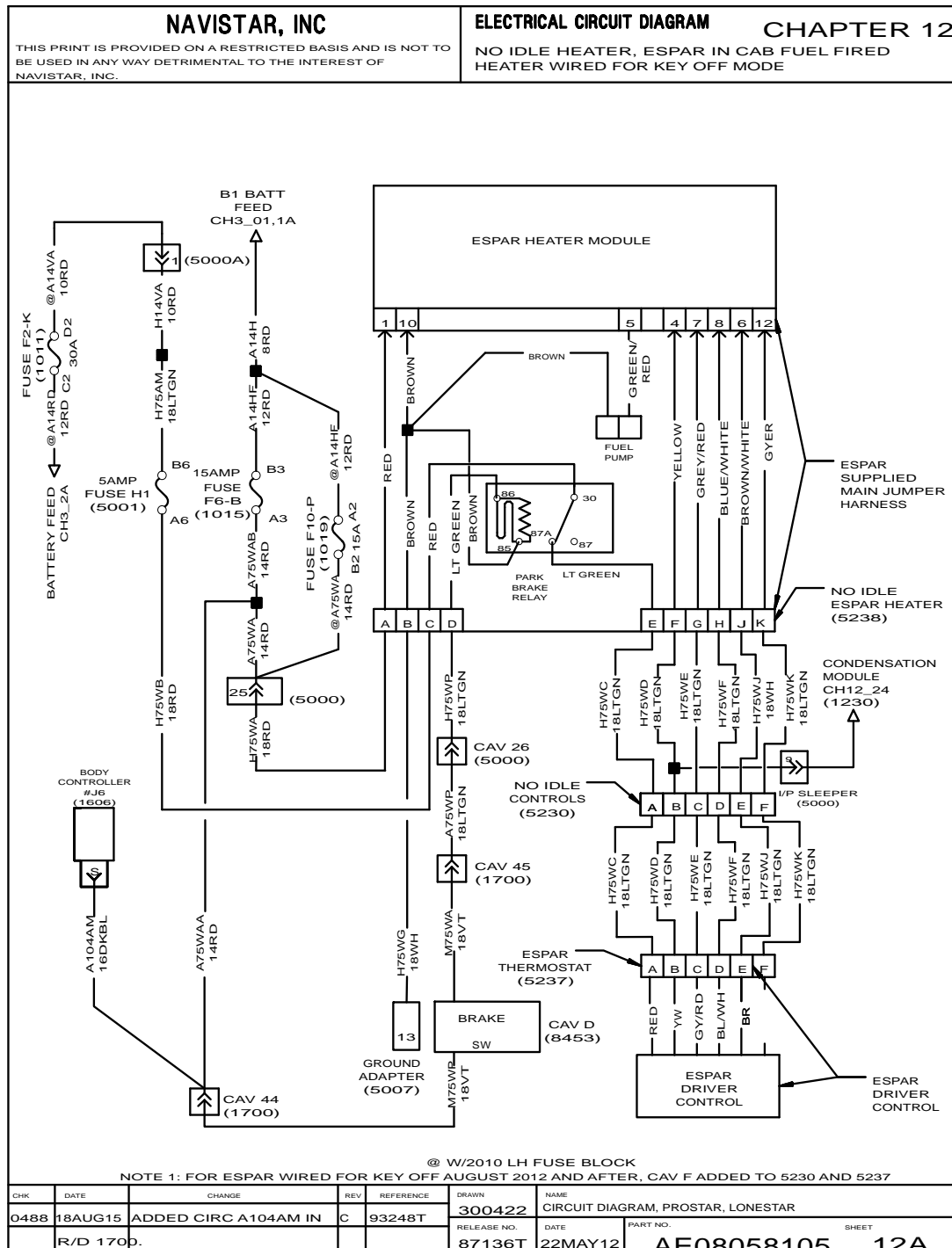


Figure 357 No Idle Heater, ESPAR in Cab Fuel Fired Heater Wired for Key Off Mode

12.15. NO IDLE HEATER, WEBASTO IN CAB FUEL FIRED HEATER, P. 13

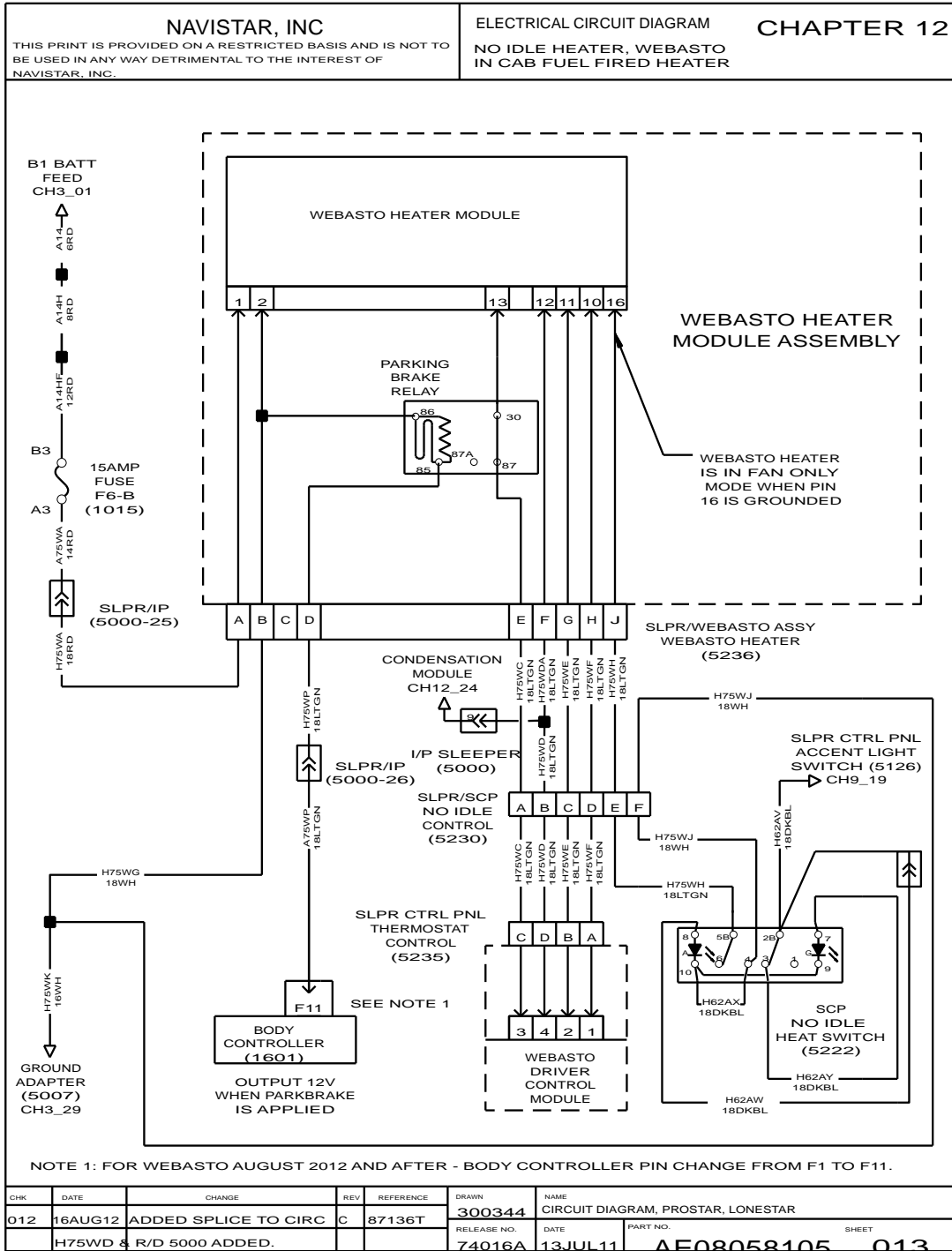


Figure 358 No Idle Heater, Webasto in Cab Fuel Fired Heater

12.16. NO IDLE HEATER, WEBASTO IN CAB FUEL FIRED HEATER WITH LVD, P. 14

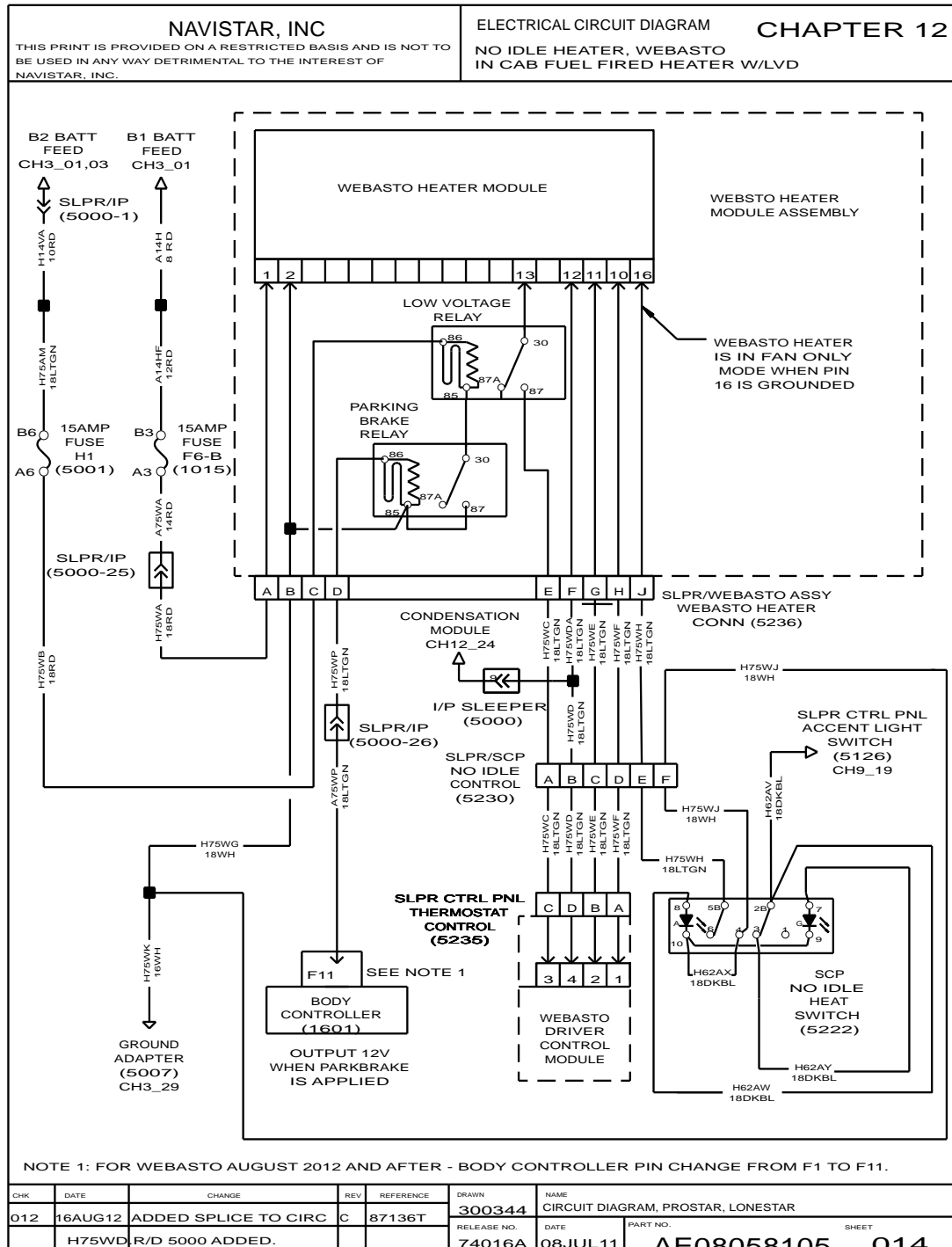


Figure 359 No Idle Heater, Webasto in Cab Fuel Fired Heater with LVD

12.17. HVAC SYSTEM – SLEEPER WITH BERGSTROM NO IDLE WITH PROSTAR, P. 15

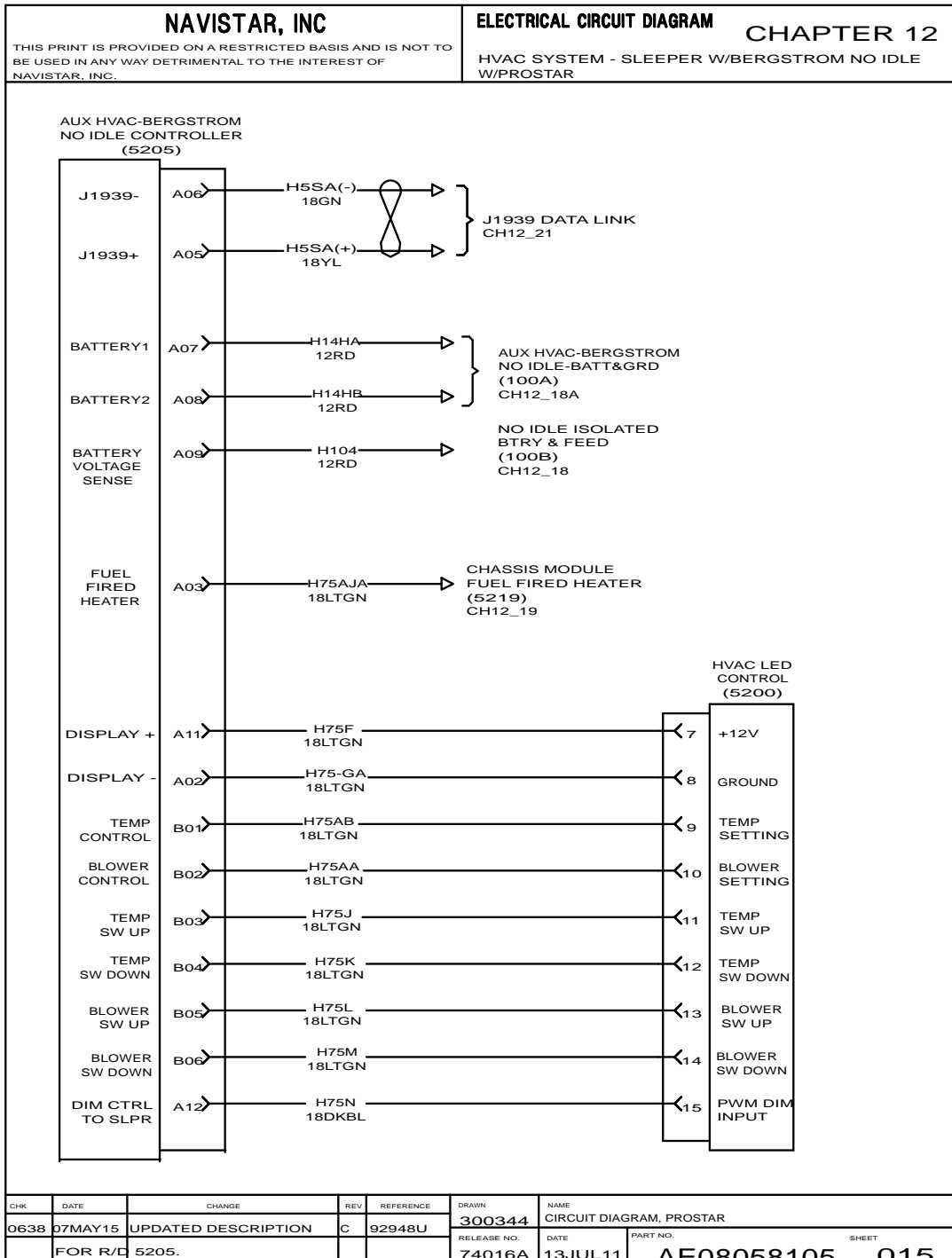


Figure 360 HVAC System – Sleeper with Bergstrom No Idle with ProStar



12.18. HVAC SYSTEM – SLEEPER WITH BERGSTROM NO IDLE, P. 15A

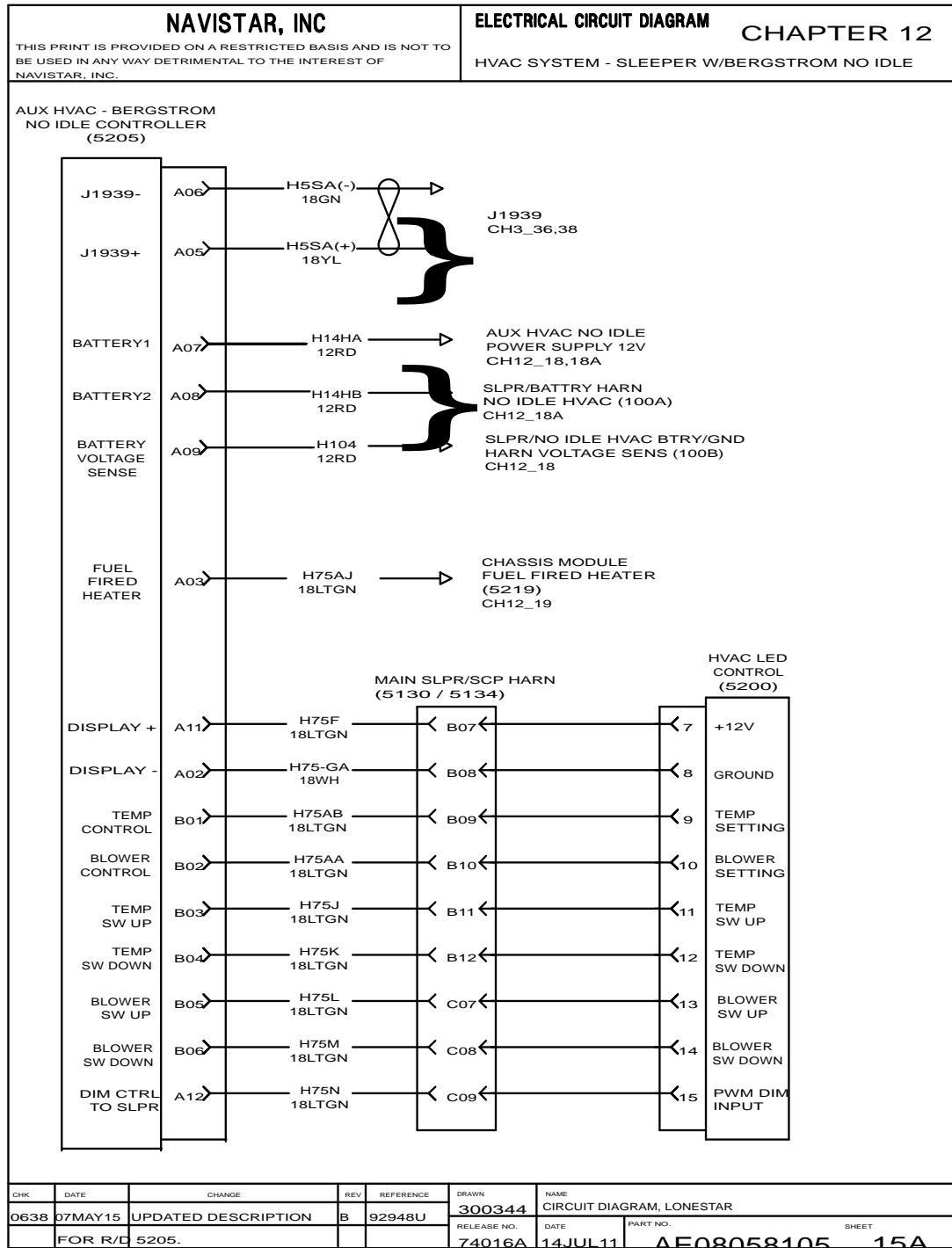


Figure 361 HVAC System – Sleeper with Bergstrom No Idle

12.19. HVAC SYSTEM – SLEEPER WITH BERGSTROM NO IDLE SWITCHES – LOCATED IN SLEEPER CONTROL PANEL, P. 16

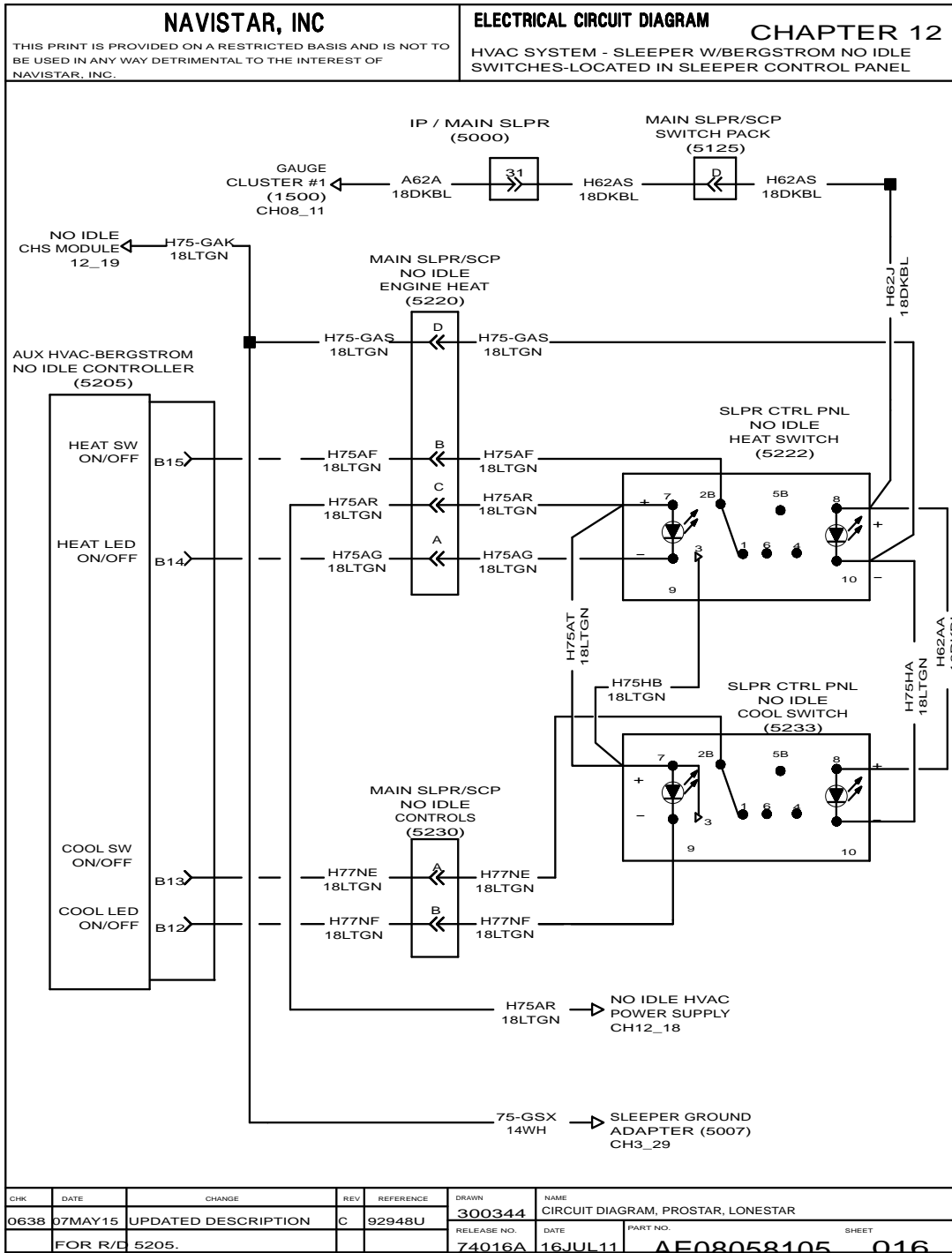


Figure 362 HVAC System – Sleeper with Bergstrom No Idle Switches – Located in Sleeper Control Panel

12.20. HVAC SYSTEM – SLEEPER WITH BERGSTROM NO IDLE SWITCHES – LOCATED IN SLEEPER CONTROL PANEL (CONT.), P. 17

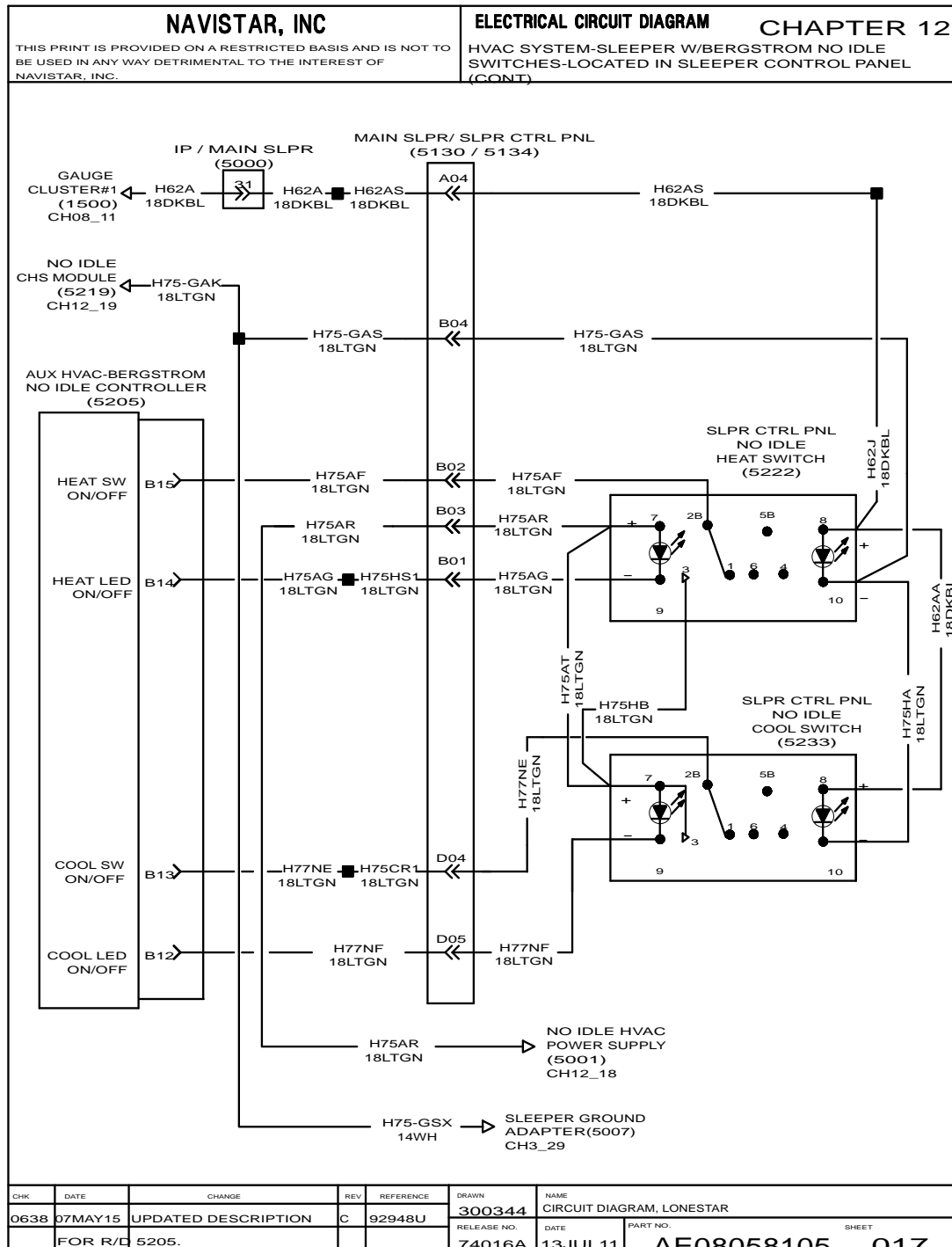


Figure 363 HVAC System – Sleeper with Bergstrom No Idle Switches – Located in Sleeper Control Panel (Cont.)

12.21. HVAC SYSTEM – SLEEPER WITH BERGSTROM NO IDLE POWER SUPPLY 12V, P. 18

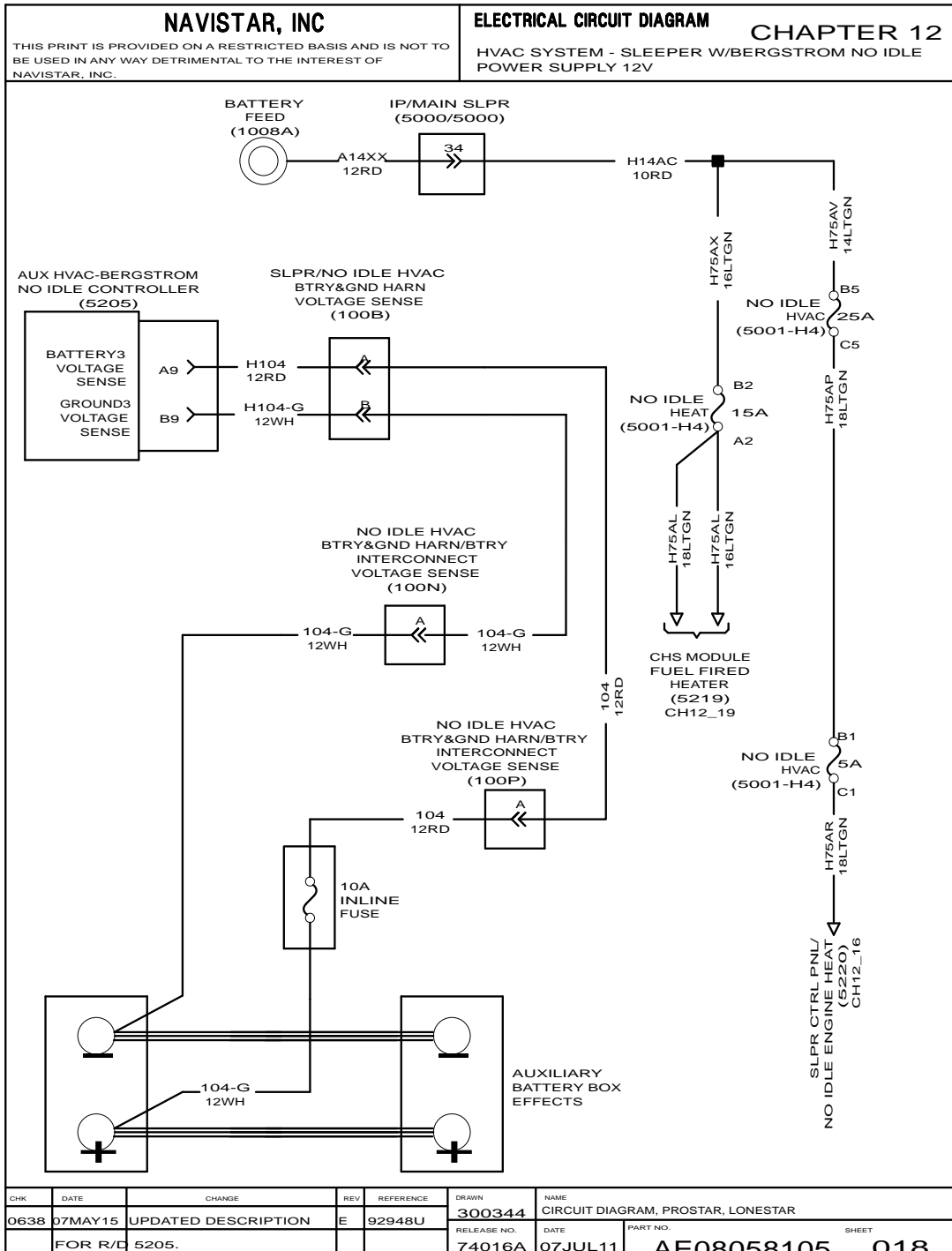


Figure 364 HVAC System – Sleeper with Bergstrom No Idle Power Supply 12V

12.22. HVAC SYSTEM – SLEEPER WITH BERGSTROM NO IDLE POWER SUPPLY 12V (CONT.), P. 18A

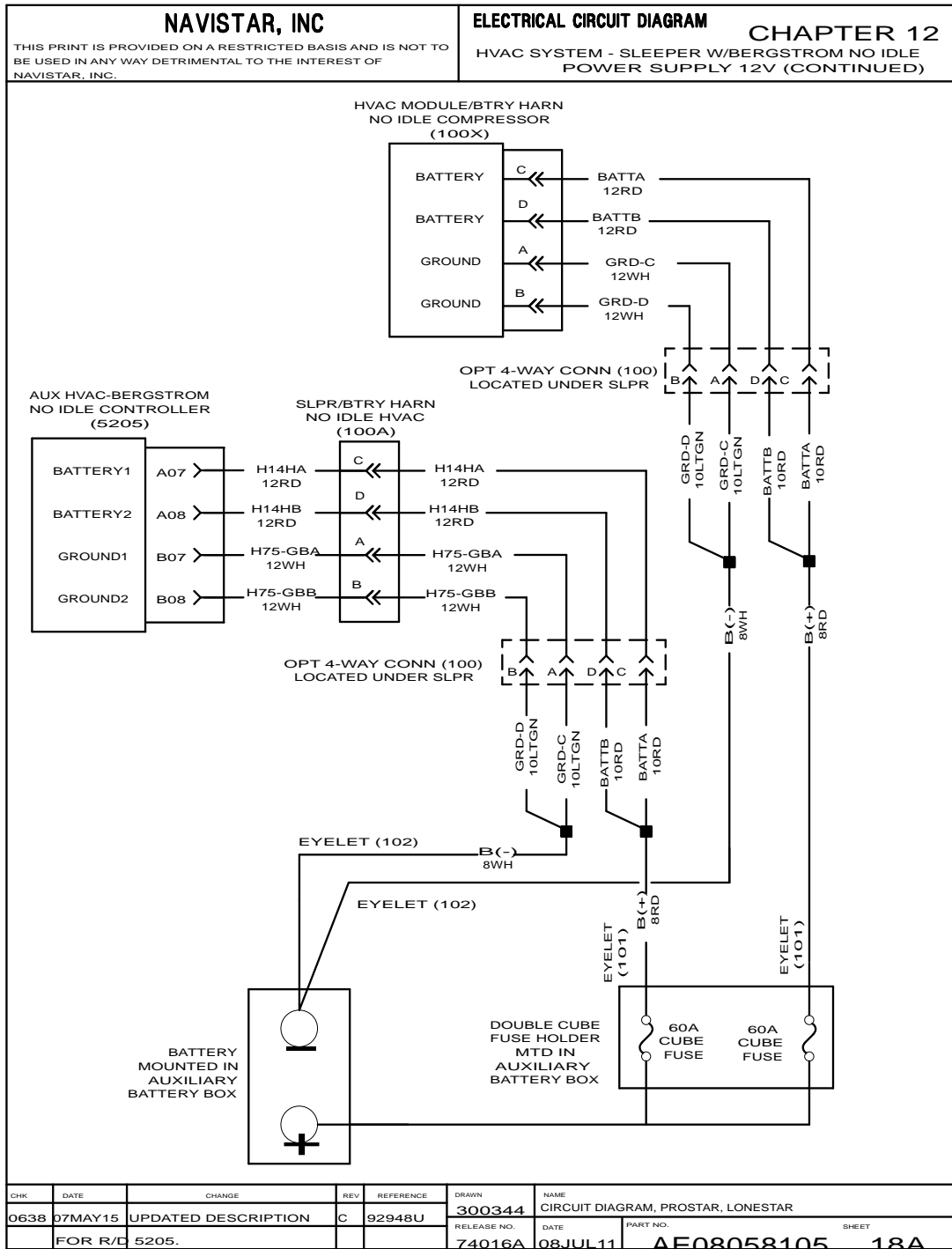


Figure 365 HVAC System – Sleeper with Bergstrom No Idle Power Supply 12V (Cont.)

12.23. HVAC SYSTEM – SLEEPER WITH BERGSTROM NO IDLE FUEL FIRED HEATER, P. 19

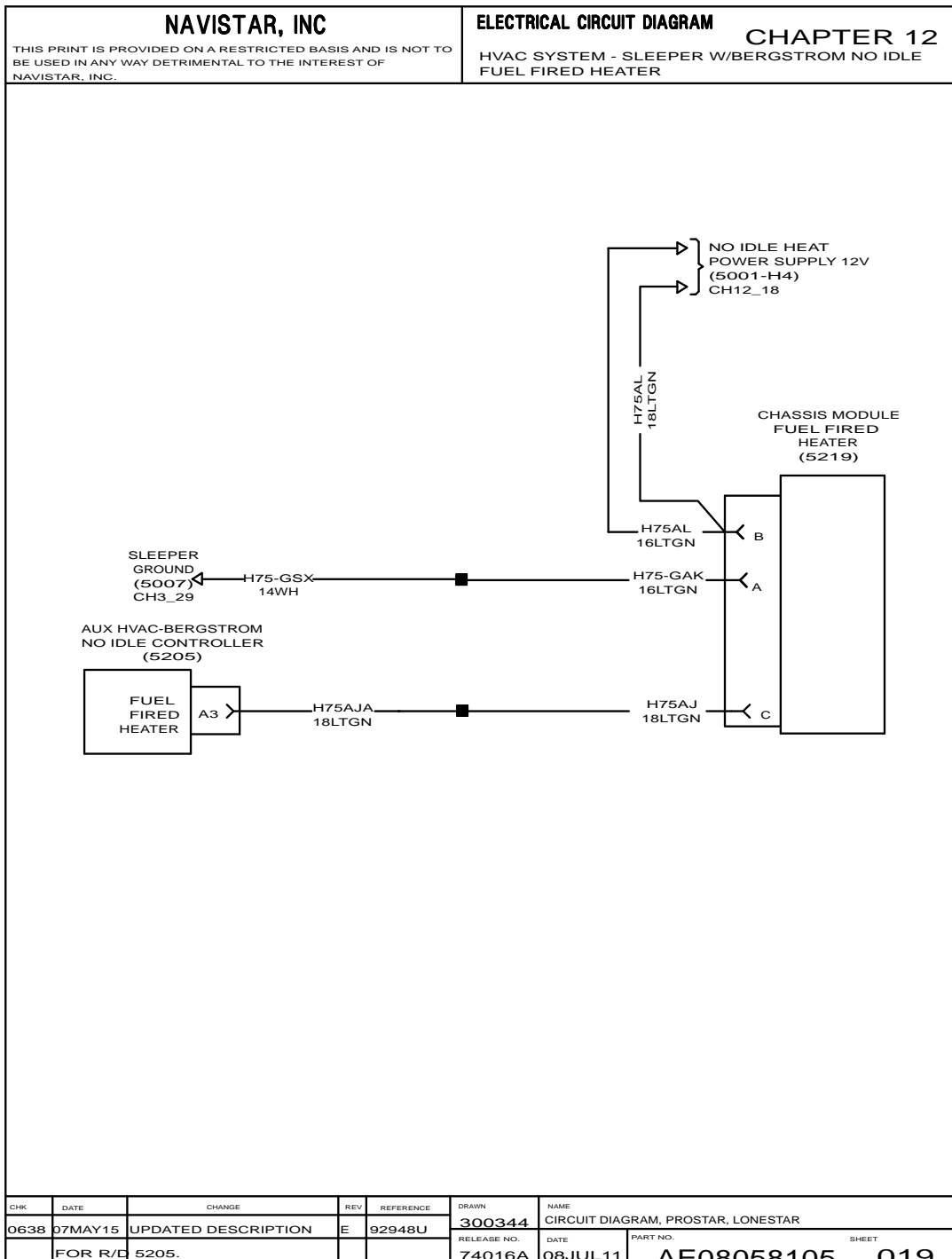


Figure 366 HVAC System – Sleeper with Bergstrom No Idle Fuel Fired Heater

12.24. IDLE MANAGEMENT WITH NO IDLE 12V DC NOT WITH AUTO SEVERE SERVICE LONESTAR, P. 20

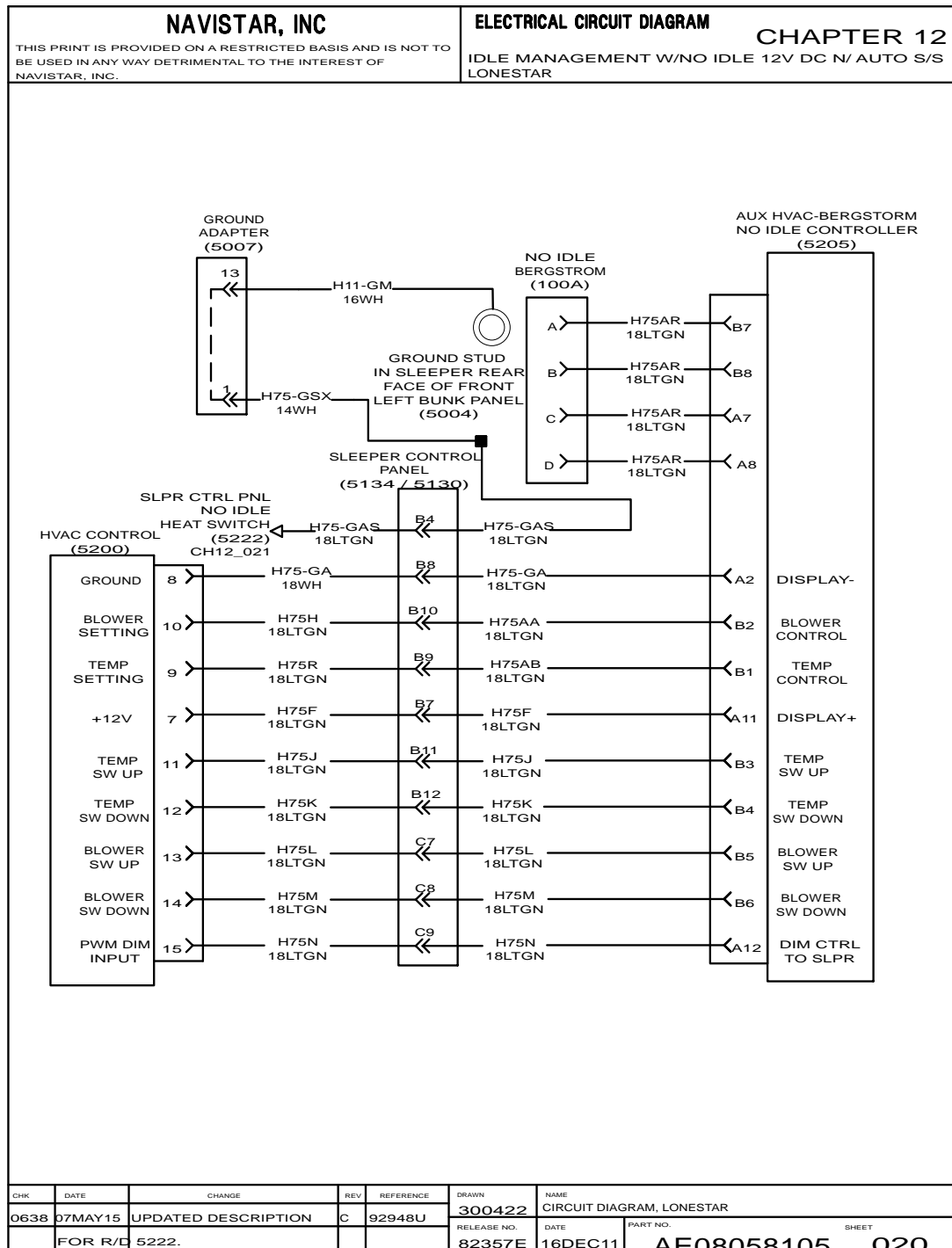


Figure 367 Idle Management with No Idle 12V DC not with Auto Severe Service LoneStar

12.25. IDLE MANAGEMENT WITH NO IDLE 12V DC NOT WITH AUTO SEVERE SERVICE LONESTAR (CONT.), P. 21

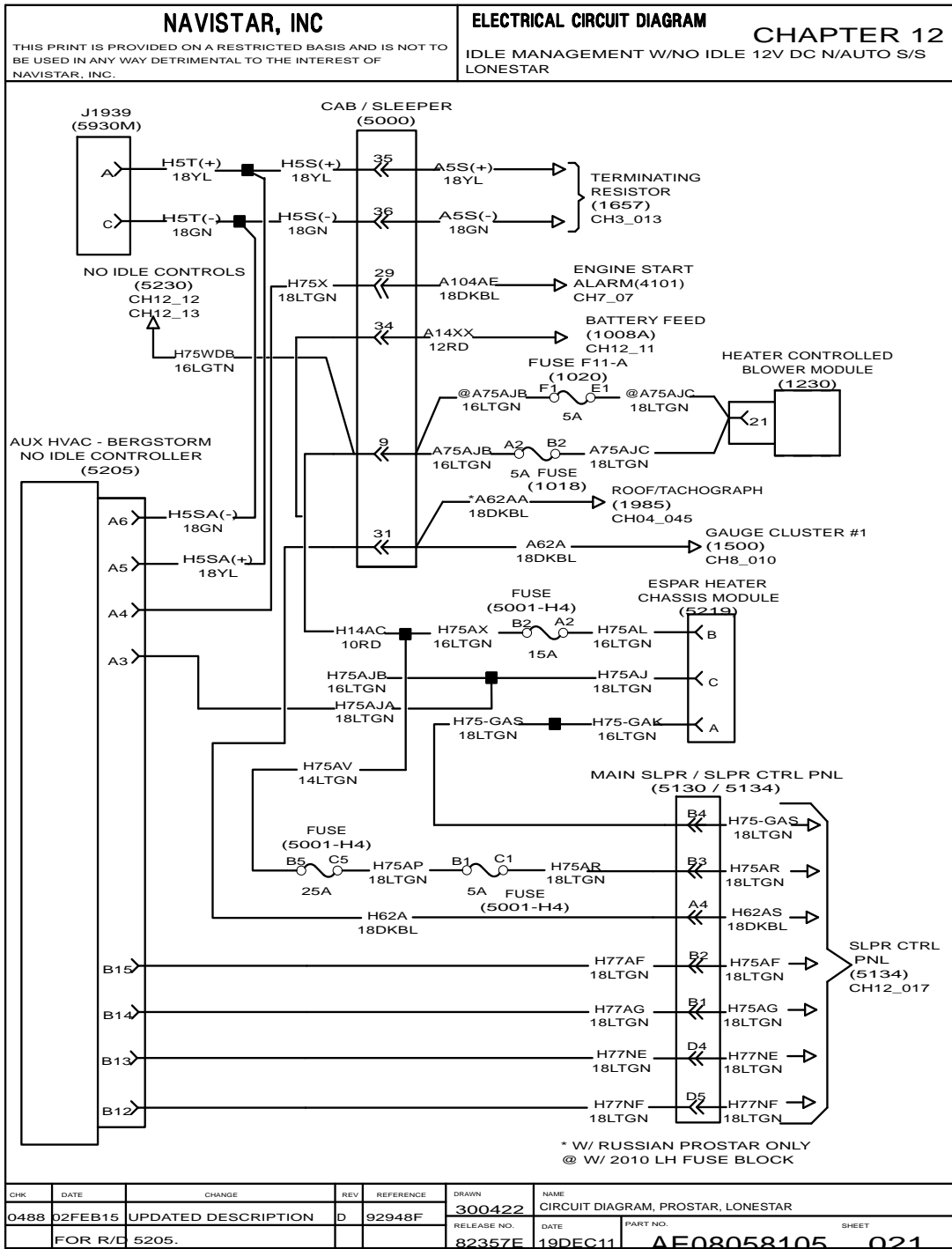


Figure 368 Idle Management with No Idle 12V DC not with Auto Severe Service LoneStar (Cont.)



12.26. IDLE MANAGEMENT WITH NO IDLE 110V AND SLEEPER BOX NO IDLE ISOLATED BATTERY AND GROUND, P. 22

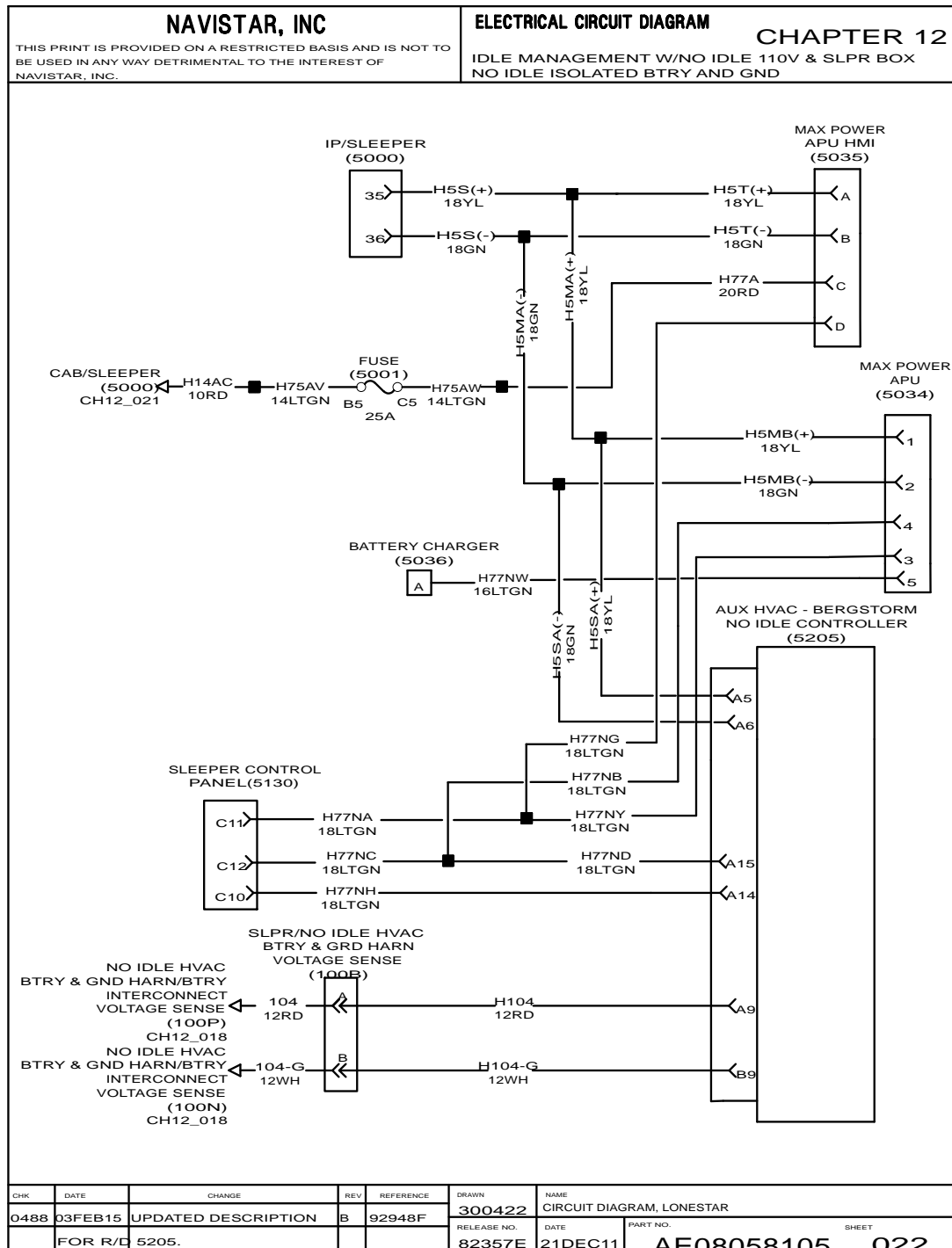


Figure 369 Idle Management with No Idle 110V and Sleeper Box No Idle Isolated Battery and Ground

12.27. SLEEPER BOX WITH NO IDLE 12V DC WITH AUTO SEVERE SERVICE LONESTAR, P. 23

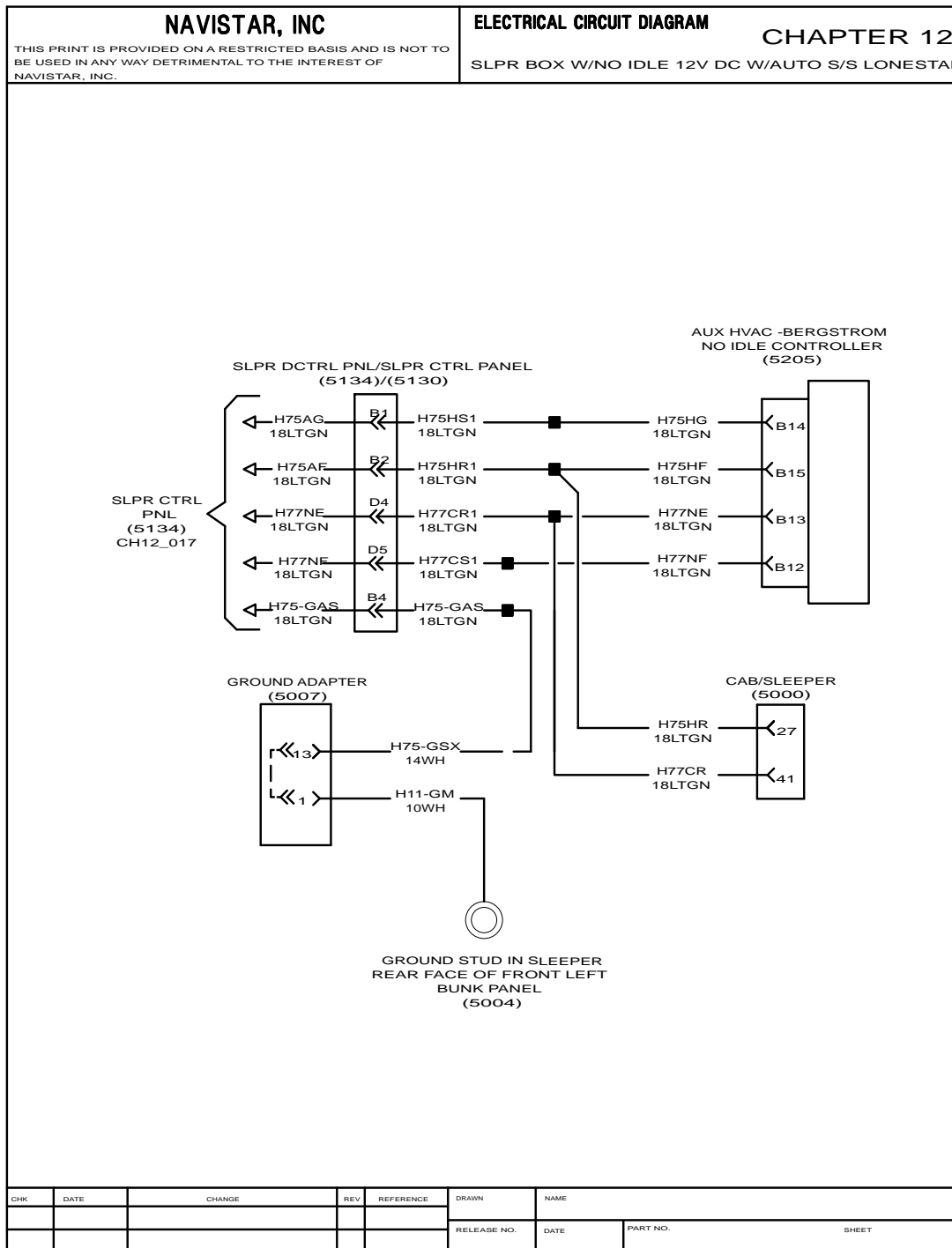


Figure 370 Sleeper Box with No Idle 12V DC with Auto Severe Service LoneStar

12.28. HVAC-CONDENSATION MODULE FOR ESPAR AND WEBASTO NO IDLE HEAT, P. 24

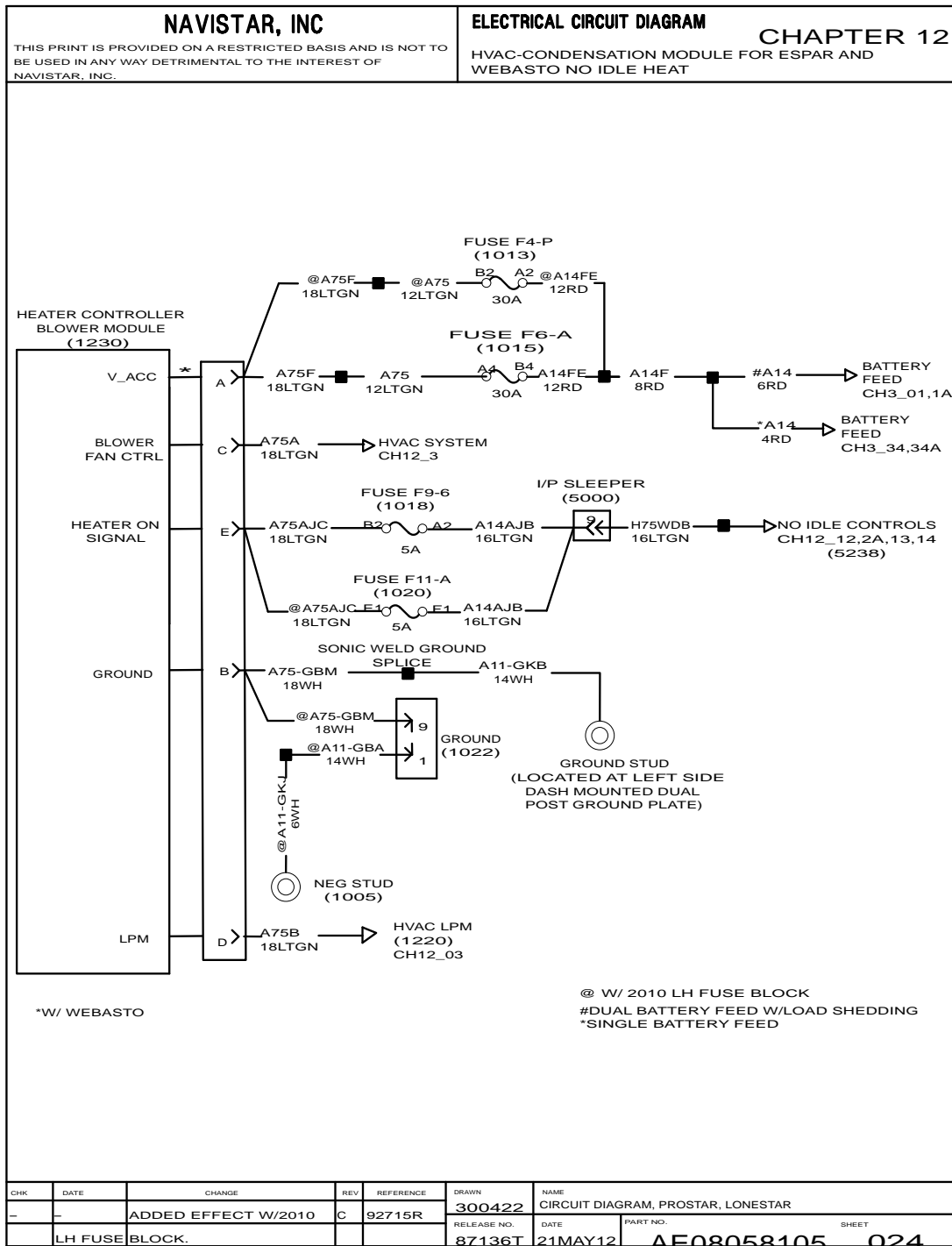


Figure 371 HVAC-Condensation Module for ESPAR and WEBASTO No Idle Heat

12.29. SLEEPER WIRING WITH NO IDLE DASH SWITCH, P. 25

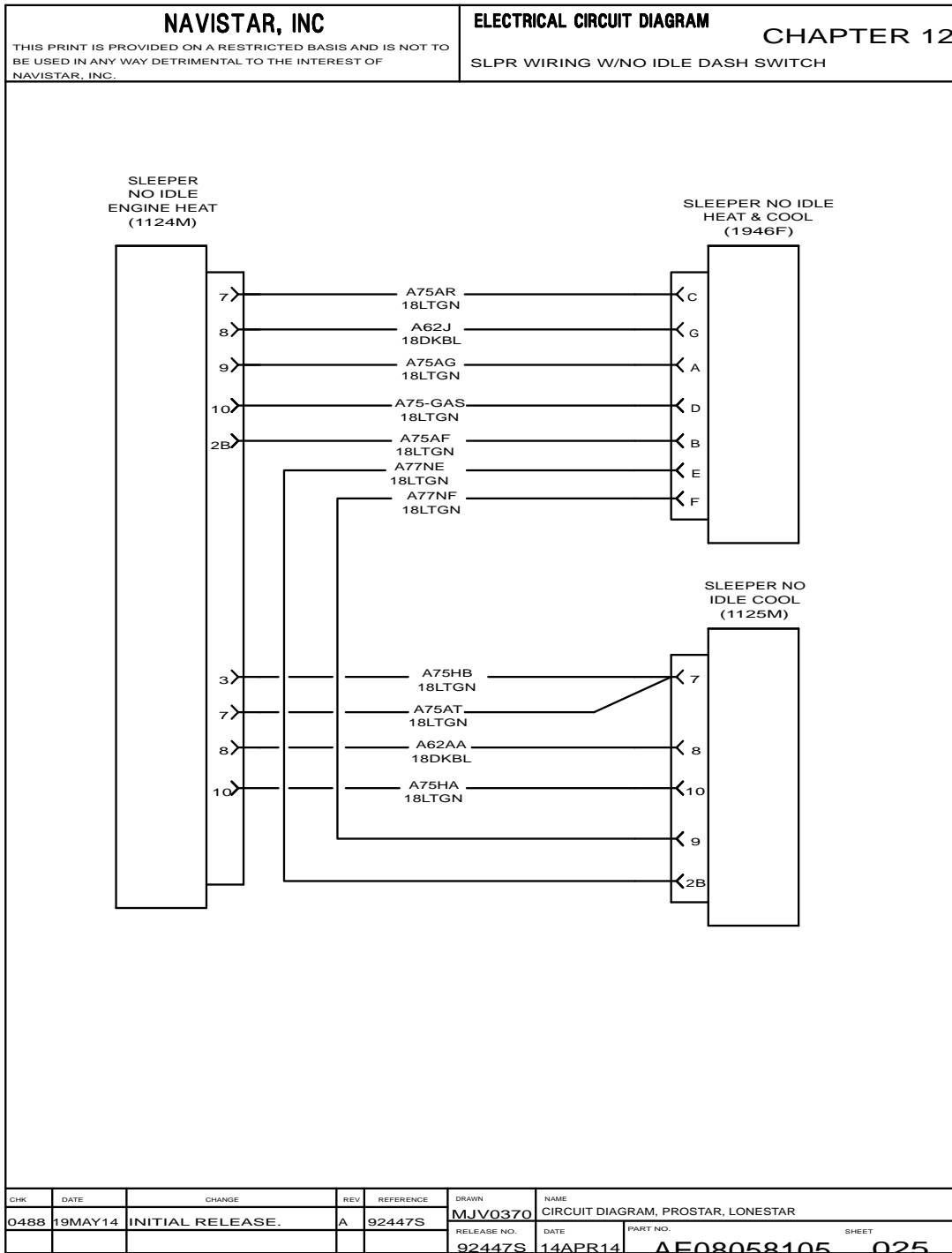


Figure 372 Sleeper Wiring with No Idle Dash Switch

## BUNK LIGHTS AND ACCESSORIES (CHAPTER 13)

### 13.1. READING AND WARDROBE LIGHTS – BUNK, P. 1

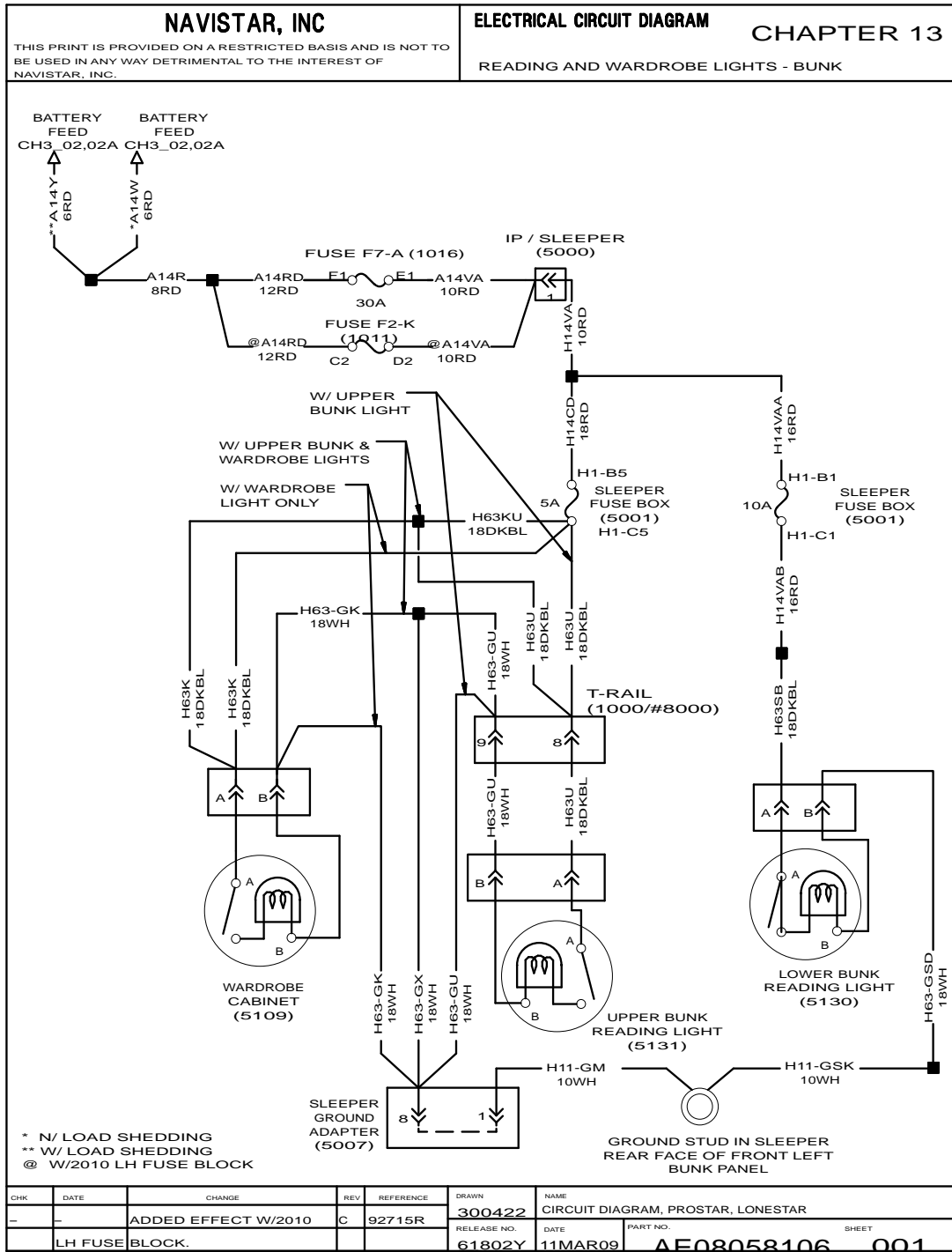


Figure 373 Reading and Wardrobe Lights – Bunk

13.2. LUGGAGE COMPARTMENT LIGHTS – BUNK, P. 2

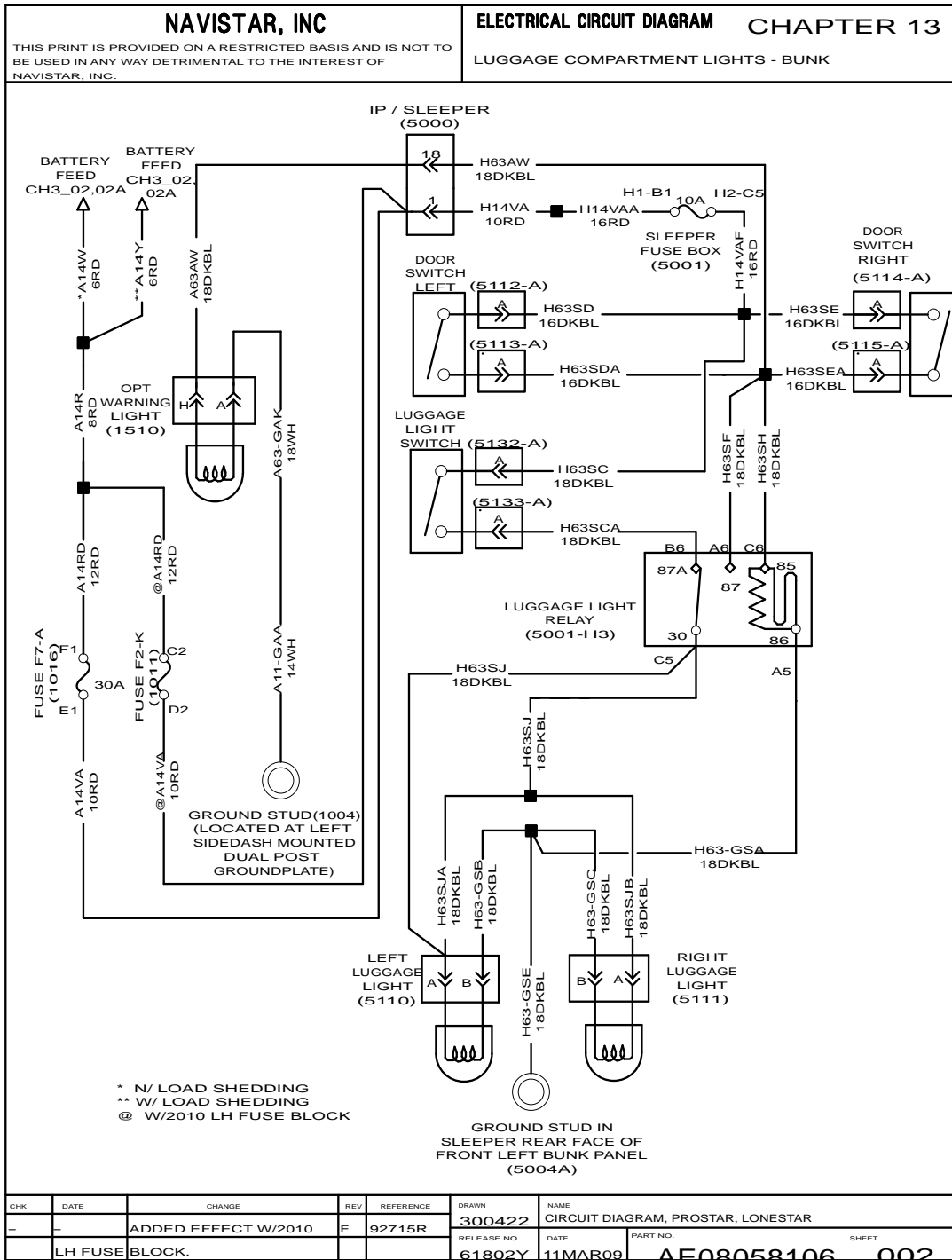


Figure 374 Luggage Compartment Lights – Bunk

13.3. POWER SOURCE – BUNK, P. 3

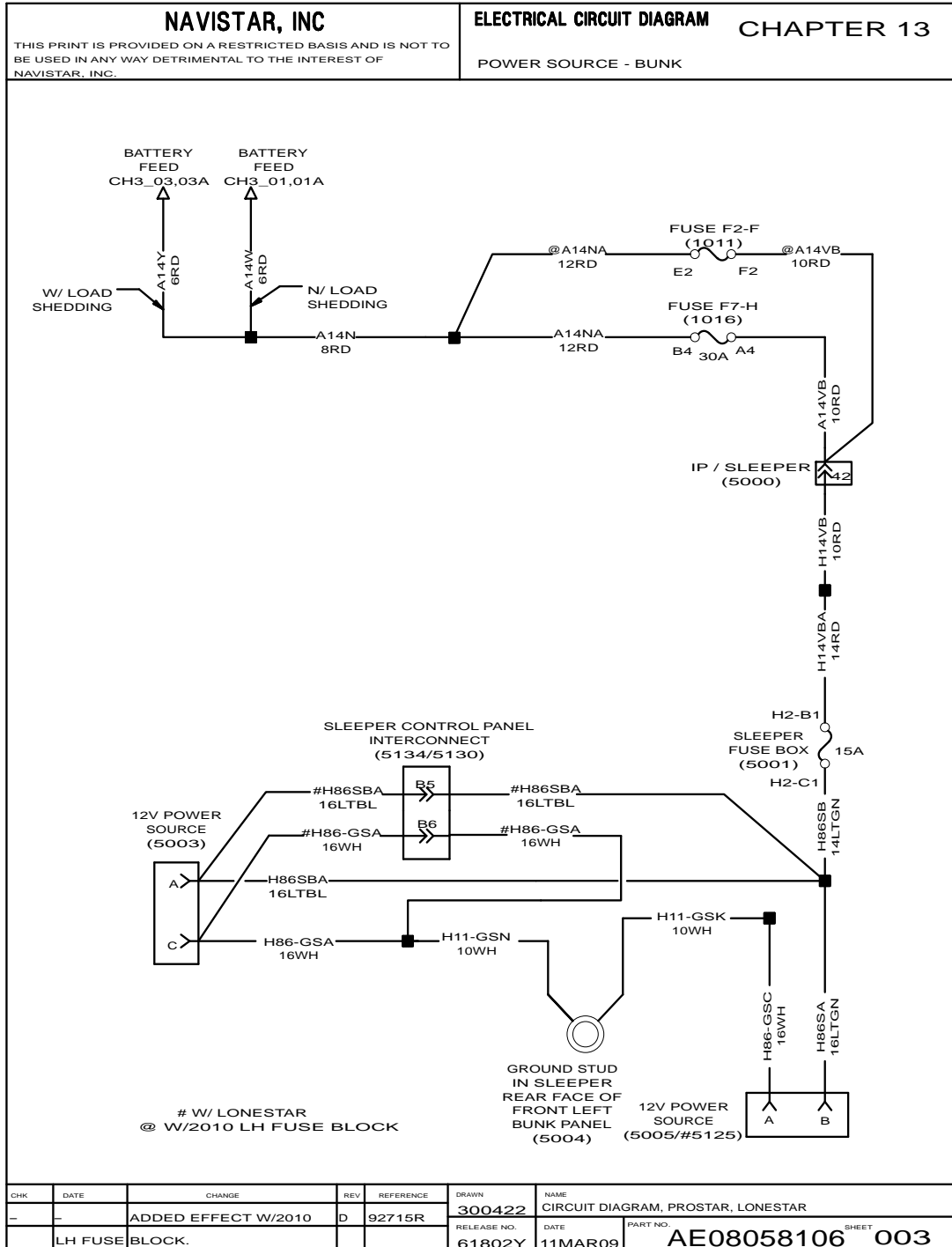


Figure 375 Power Source – Bunk





13.5. SPEAKER – BUNK, P. 5

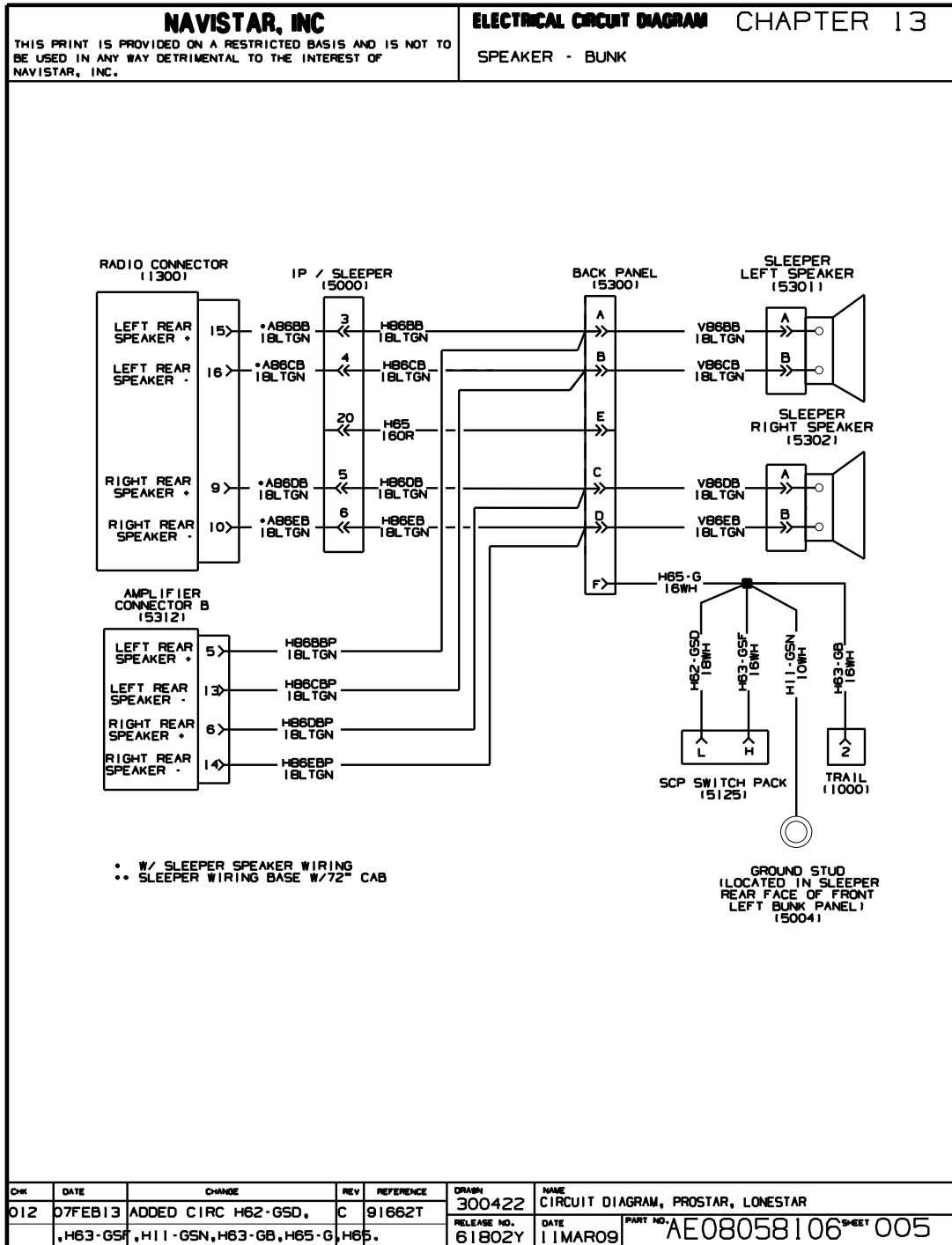


Figure 377 Speaker – Bunk

13.6. FAN – BUNK, P. 6

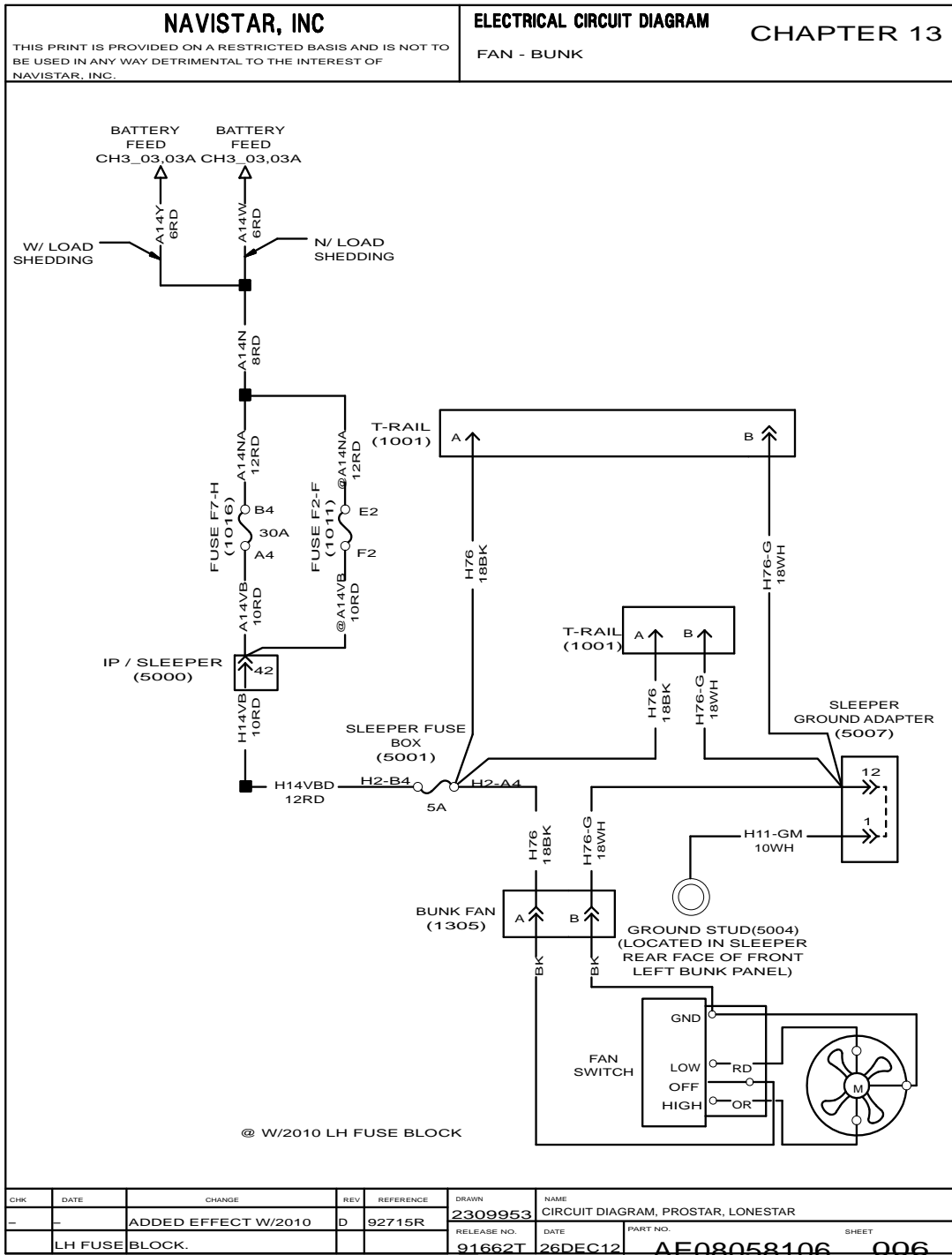


Figure 378 Fan – Bunk

13.7. SKY RISE LIGHT, P. 7

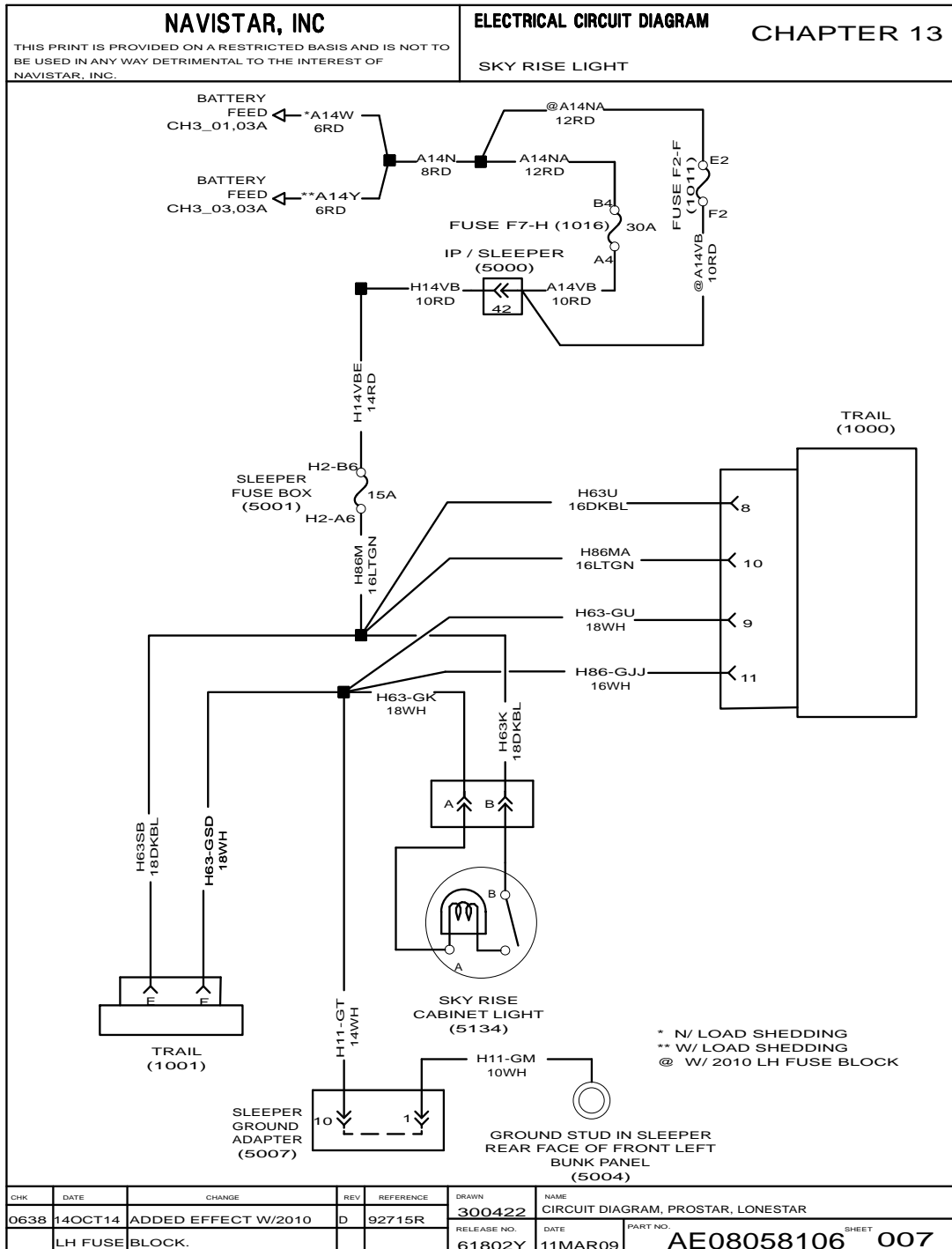


Figure 379 Sky Rise Light

13.8. FLAT PANEL TV / DVD PLAYER – BUNK, P. 8

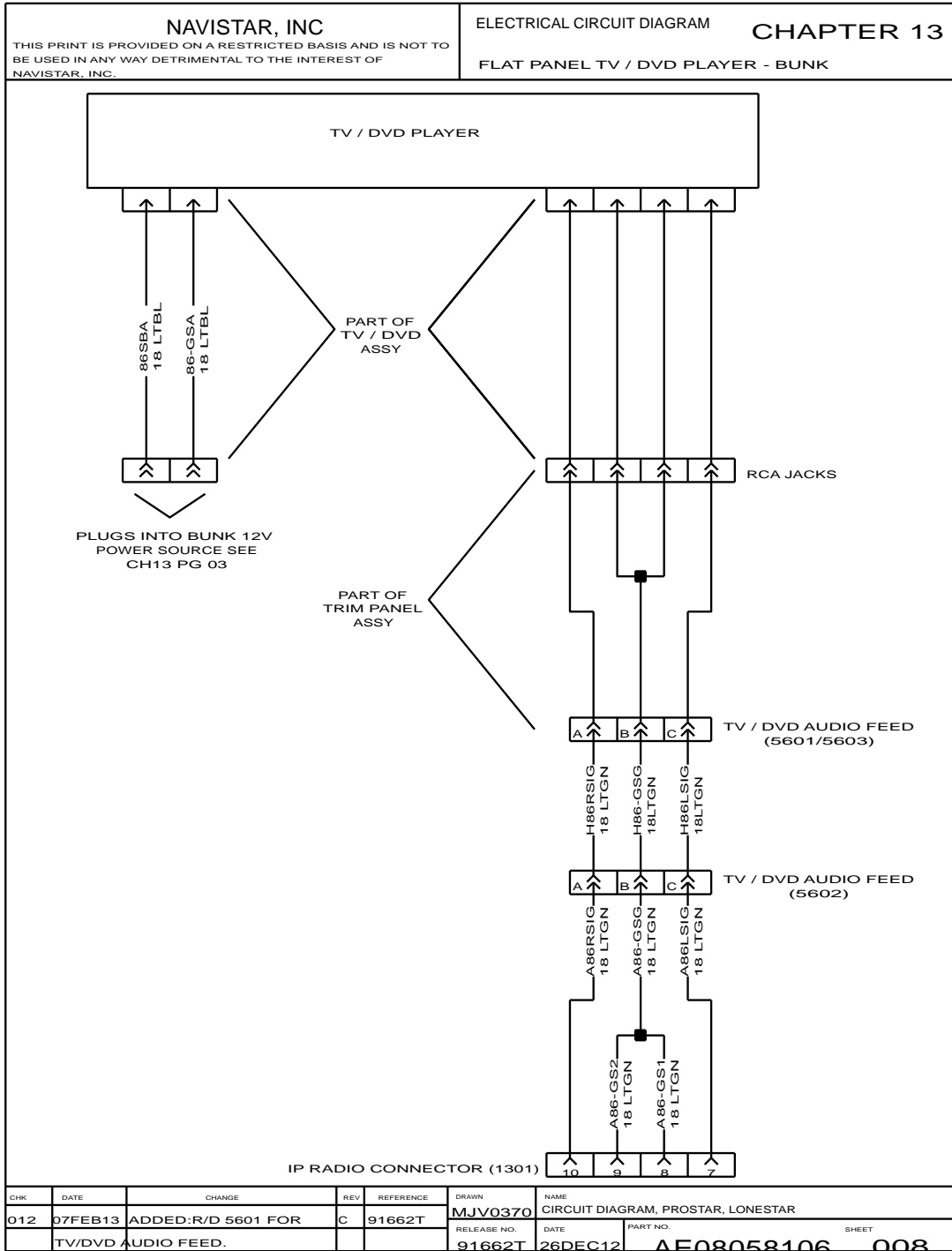


Figure 380 Flat Panel TV / DVD Player – Bunk

## CONNECTOR COMPOSITES (CHAPTER 14)

### 14.1. CONNECTOR BODY COMPOSITE (1), P. 1

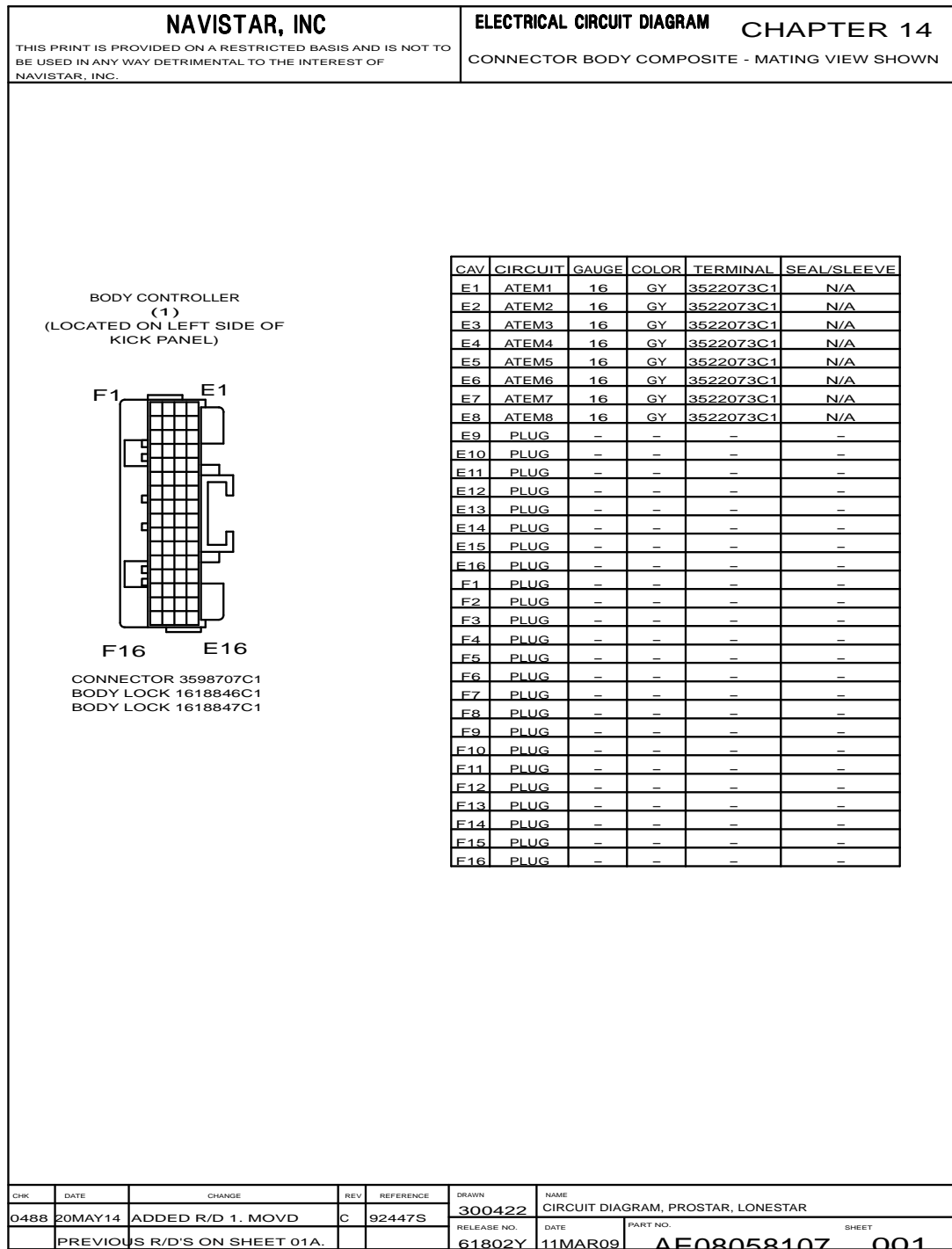


Figure 381 Connector Body Composite (1)

14.2. CONNECTOR BODY COMPOSITE (7A), (8A), (9A), (10A), P. 1A

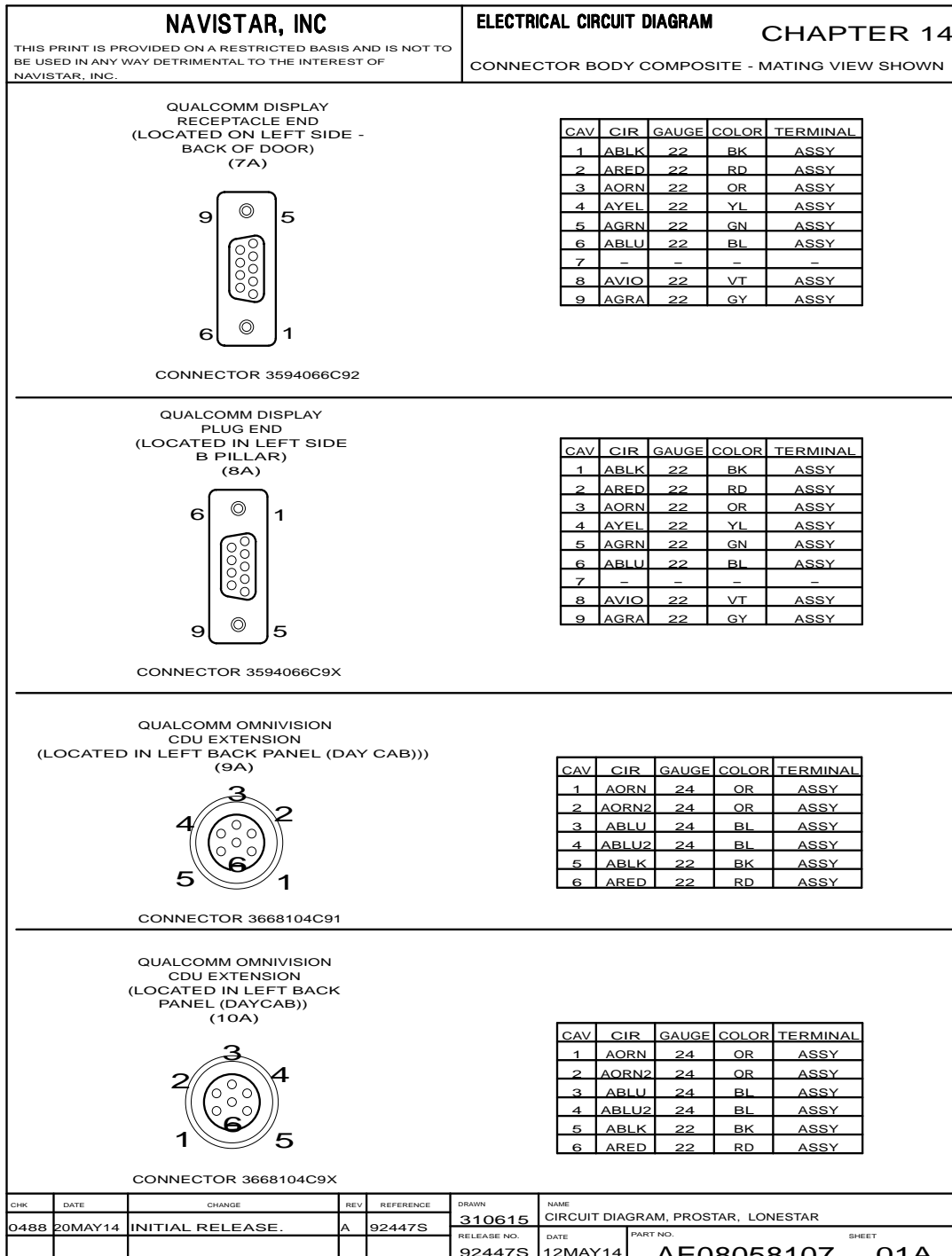


Figure 382 Connector Body Composite (7A), (8A), (9A), (10A)

14.3. CONNECTOR BODY COMPOSITE (10F), (11A), (12A), (13A), (14A), P. 2

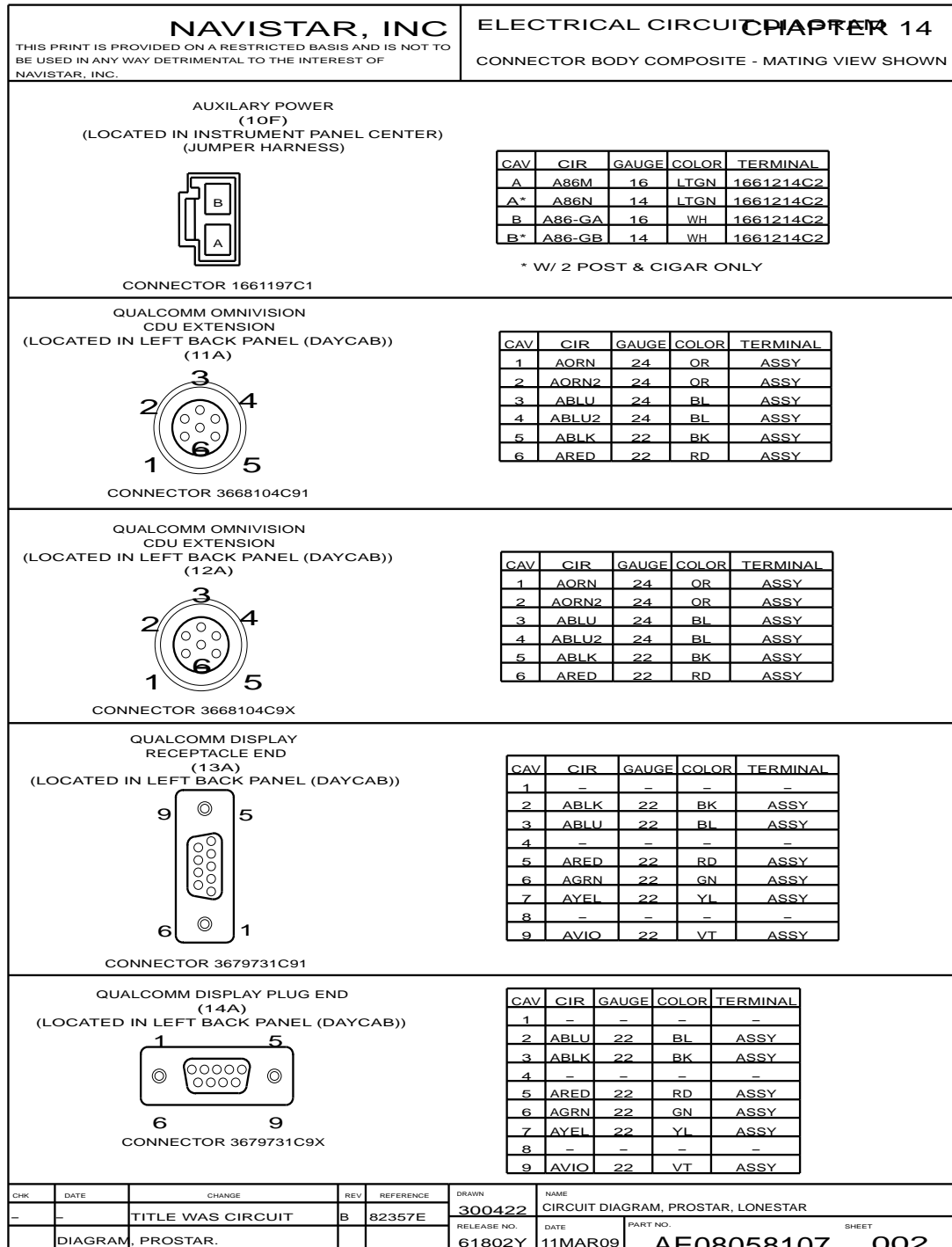


Figure 383 Connector Body Composite (10F), (11A), (12A), (13A), (14A)

14.4. CONNECTOR BODY COMPOSITE (15B), (16B), P. 2A

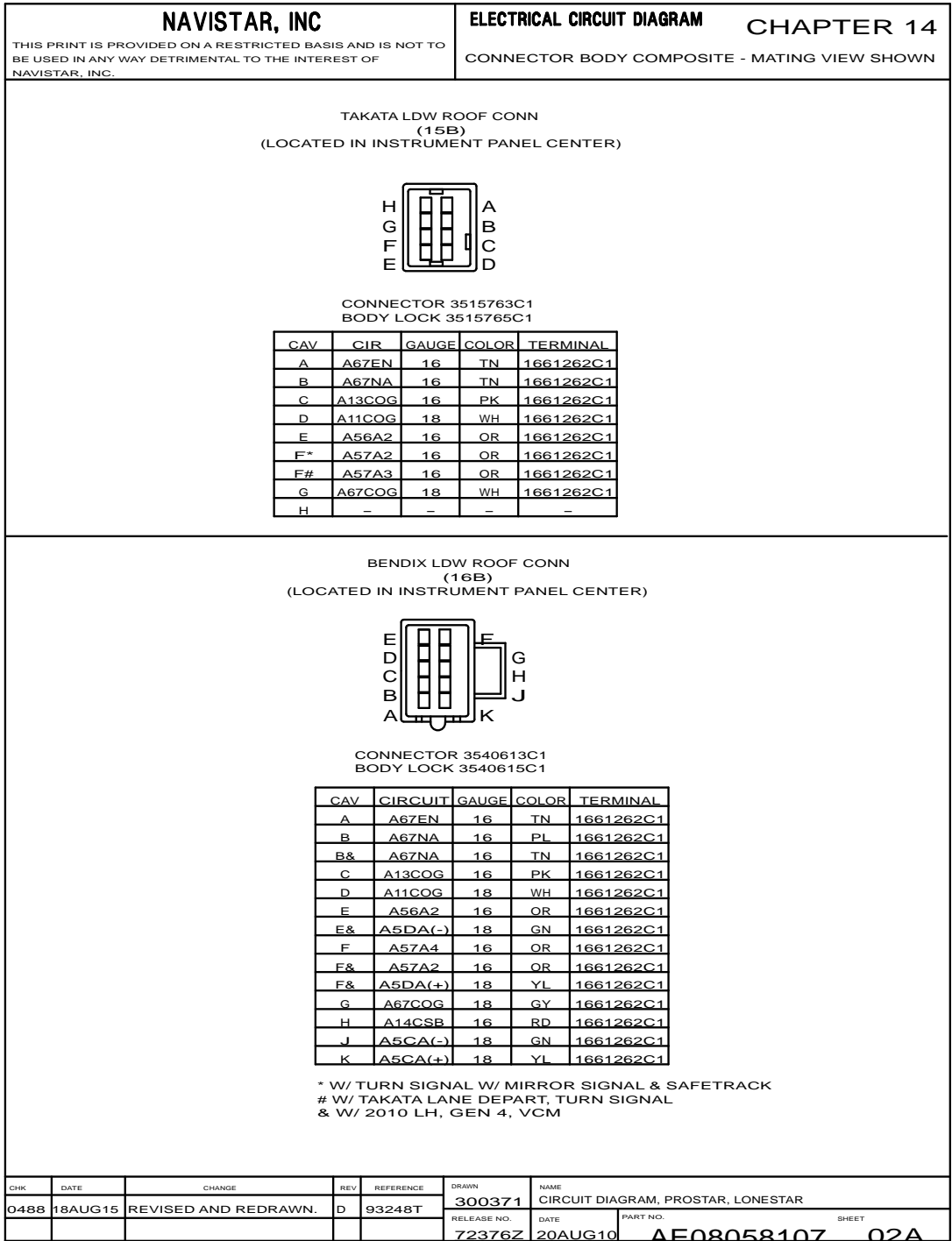


Figure 384 Connector Body Composite (15B), (16B)



14.5. CONNECTOR BODY COMPOSITE (100A), (100B), (113F1), (113M1), (166M), (344), P. 3

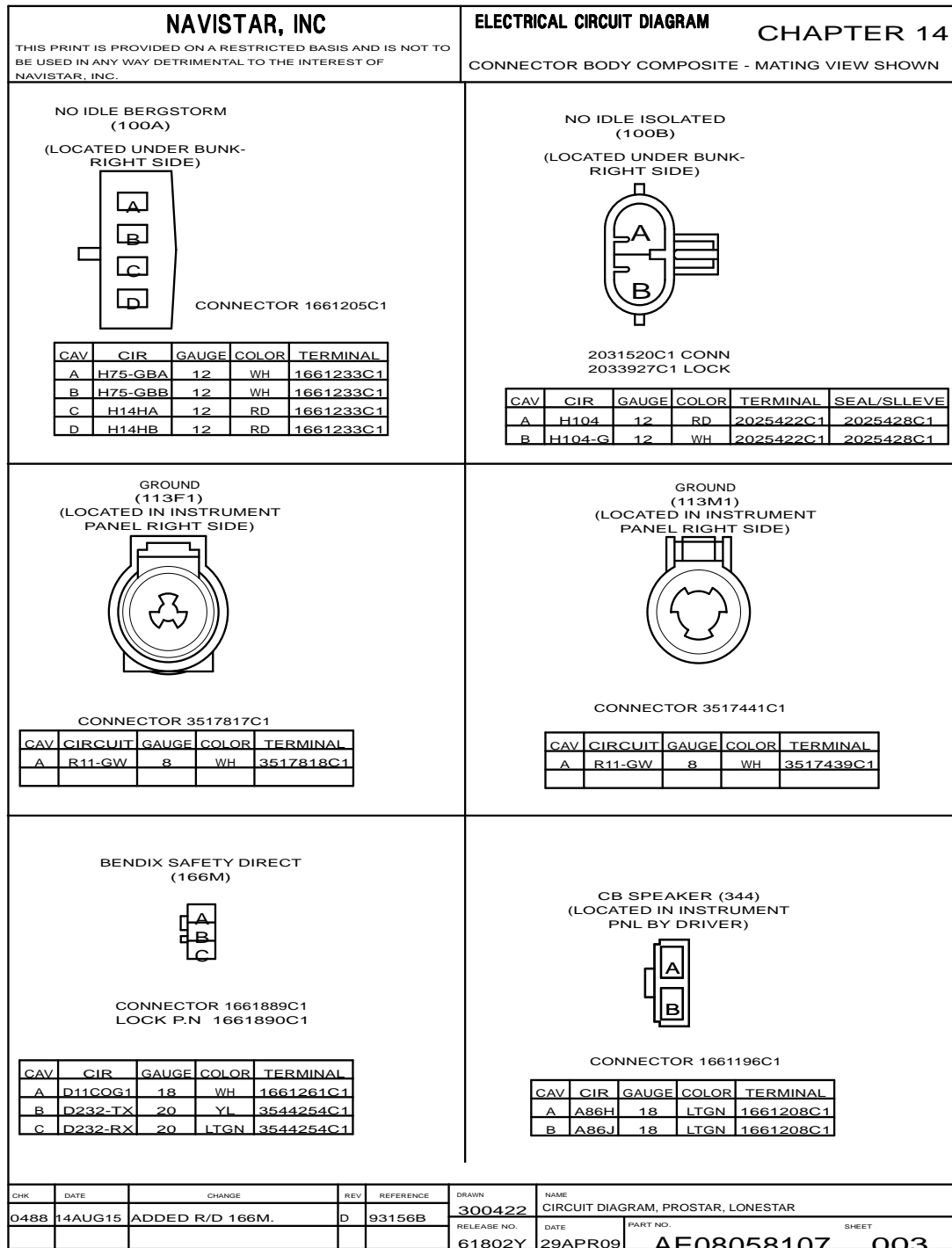


Figure 385 Connector Body Composite (100A), (100B), (113F1), (113M1), (166M), (344)

14.6. CONNECTOR BODY COMPOSITE (345), (346F), (347F), (348F), (349F), (512), P. 3A

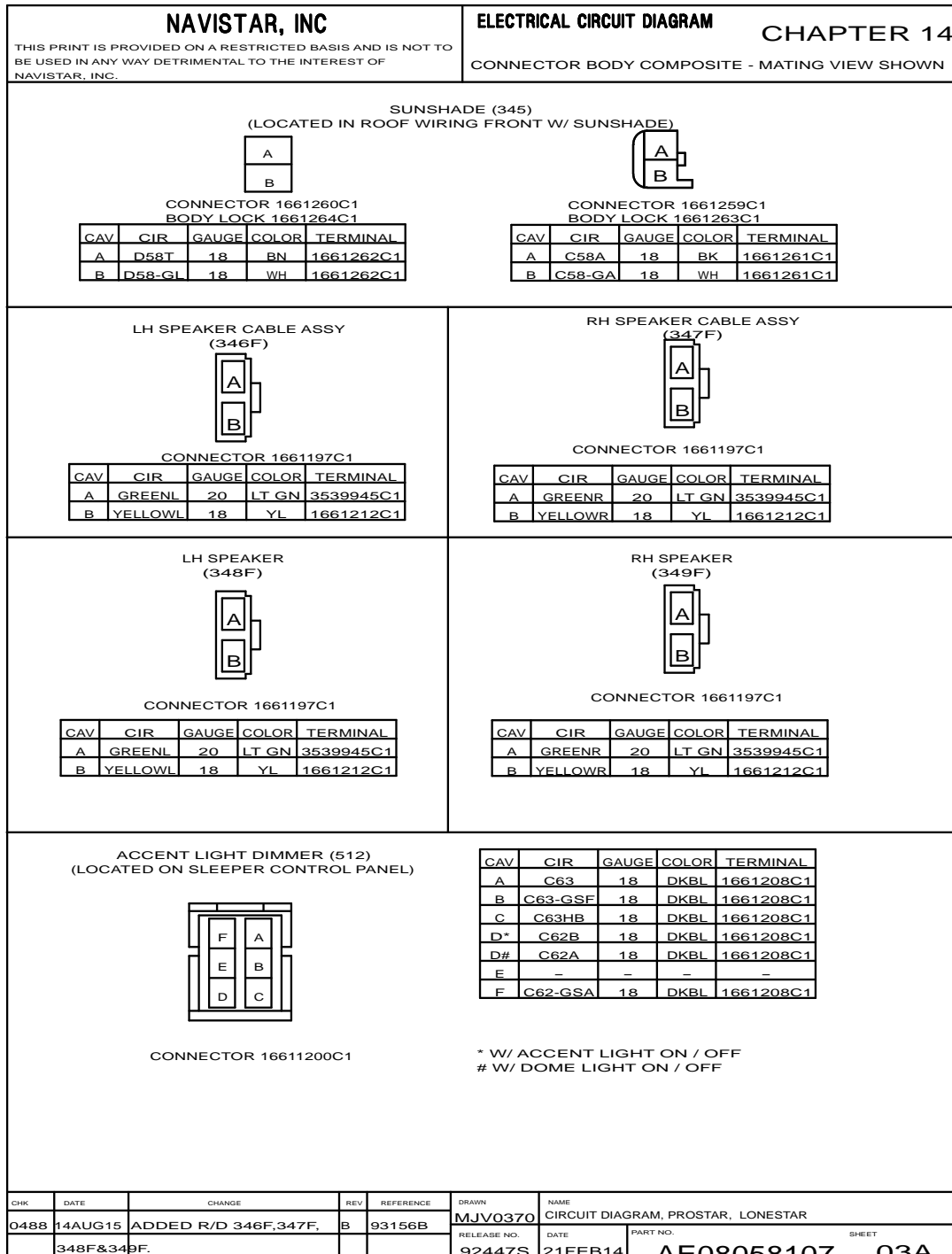


Figure 386 Connector Body Composite (345), (346F), (347F), (348F), (349F), (512)

14.7. CONNECTOR BODY COMPOSITE (608), (670), P. 4

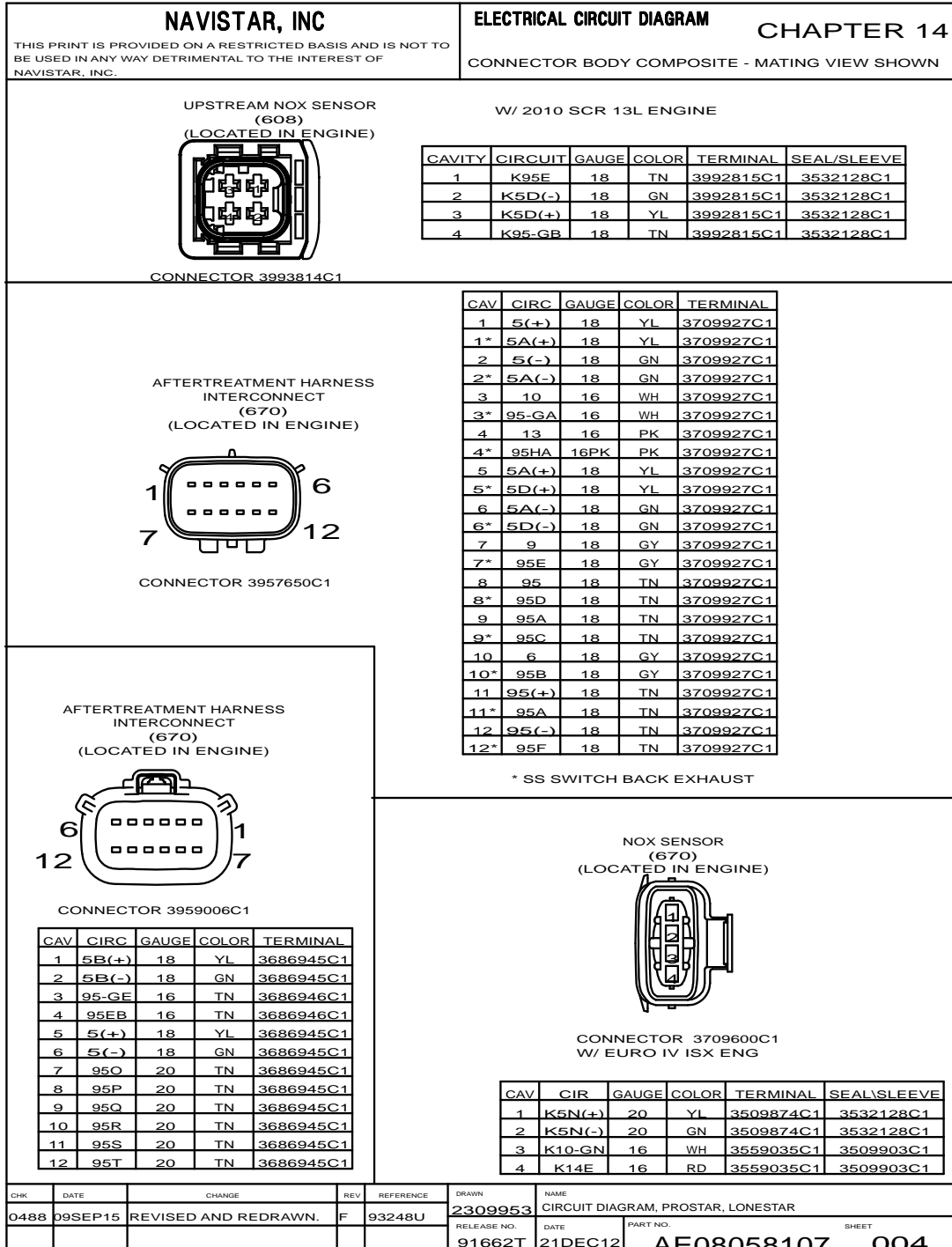


Figure 387 Connector Body Composite (608), (670)

14.8. CONNECTOR BODY COMPOSITE (670A), (670B), (670C), P. 4A

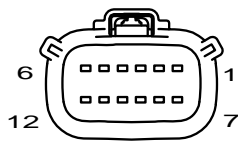
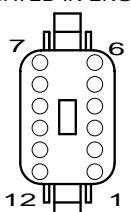

<b>NAVISTAR, INC</b>				<b>ELECTRICAL CIRCUIT DIAGRAM</b>		<b>CHAPTER 14</b>																																																																		
THIS PRINT IS PROVIDED ON A RESTRICTED BASIS AND IS NOT TO BE USED IN ANY WAY DETRIMENTAL TO THE INTEREST OF NAVISTAR, INC.				CONNECTOR BODY COMPOSITE- MATING VIEW SHOWN																																																																				
<p>AFTER TREATMENT CONNECTOR (670A) (LOCATED IN ENGINE)</p>  <p>CONNECTOR 3959006C1</p>				<table border="1" style="width: 100%; border-collapse: collapse; font-size: x-small;"> <thead> <tr> <th>CAV</th> <th>CIRC</th> <th>GAUGE</th> <th>COLOR</th> <th>TERMINAL</th> </tr> </thead> <tbody> <tr><td>1</td><td>K5(+)</td><td>18</td><td>YL</td><td>3686943C1</td></tr> <tr><td>2</td><td>K5(-)</td><td>18</td><td>GN</td><td>3686943C1</td></tr> <tr><td>3</td><td>K10-GM</td><td>16</td><td>WH</td><td>3686944C1</td></tr> <tr><td>4</td><td>K13</td><td>16</td><td>PK</td><td>3686944C1</td></tr> <tr><td>5</td><td>K5A(+)</td><td>18</td><td>YL</td><td>3686943C1</td></tr> <tr><td>6</td><td>K5A(-)</td><td>18</td><td>GN</td><td>3686943C1</td></tr> <tr><td>7</td><td>K9</td><td>18</td><td>TN</td><td>3686943C1</td></tr> <tr><td>8</td><td>K95</td><td>20</td><td>TN</td><td>3686943C1</td></tr> <tr><td>9</td><td>K95A</td><td>20</td><td>TN</td><td>3686943C1</td></tr> <tr><td>10</td><td>KA6</td><td>18</td><td>VT</td><td>3686943C1</td></tr> <tr><td>11</td><td>K95(+)</td><td>20</td><td>TN</td><td>3686943C1</td></tr> <tr><td>12</td><td>K95(-)</td><td>20</td><td>TN</td><td>3686943C1</td></tr> </tbody> </table>				CAV	CIRC	GAUGE	COLOR	TERMINAL	1	K5(+)	18	YL	3686943C1	2	K5(-)	18	GN	3686943C1	3	K10-GM	16	WH	3686944C1	4	K13	16	PK	3686944C1	5	K5A(+)	18	YL	3686943C1	6	K5A(-)	18	GN	3686943C1	7	K9	18	TN	3686943C1	8	K95	20	TN	3686943C1	9	K95A	20	TN	3686943C1	10	KA6	18	VT	3686943C1	11	K95(+)	20	TN	3686943C1	12	K95(-)	20	TN	3686943C1
CAV	CIRC	GAUGE	COLOR	TERMINAL																																																																				
1	K5(+)	18	YL	3686943C1																																																																				
2	K5(-)	18	GN	3686943C1																																																																				
3	K10-GM	16	WH	3686944C1																																																																				
4	K13	16	PK	3686944C1																																																																				
5	K5A(+)	18	YL	3686943C1																																																																				
6	K5A(-)	18	GN	3686943C1																																																																				
7	K9	18	TN	3686943C1																																																																				
8	K95	20	TN	3686943C1																																																																				
9	K95A	20	TN	3686943C1																																																																				
10	KA6	18	VT	3686943C1																																																																				
11	K95(+)	20	TN	3686943C1																																																																				
12	K95(-)	20	TN	3686943C1																																																																				
<p>AFTER TREATMENT CONNECTOR (670B) (LOCATED IN ENGINE)</p>  <p>CONNECTOR 3601924C1</p>				<table border="1" style="width: 100%; border-collapse: collapse; font-size: x-small;"> <thead> <tr> <th>CAVITY</th> <th>CIRCUIT</th> <th>GAUGE</th> <th>COLOR</th> <th>TERMINAL</th> </tr> </thead> <tbody> <tr><td>1</td><td>K5(+)</td><td>20</td><td>YL</td><td>1651988C1</td></tr> <tr><td>2</td><td>K5(-)</td><td>20</td><td>GN</td><td>1651988C1</td></tr> <tr><td>3</td><td>K10-GM</td><td>16</td><td>WH</td><td>1651988C1</td></tr> <tr><td>4</td><td>KL13</td><td>16</td><td>PK</td><td>1651988C1</td></tr> <tr><td>5</td><td>K5A(+)</td><td>20</td><td>YL</td><td>1651988C1</td></tr> <tr><td>6</td><td>K5A(-)</td><td>20</td><td>GN</td><td>1651988C1</td></tr> <tr><td>7</td><td>K9</td><td>20</td><td>TN</td><td>1651988C1</td></tr> <tr><td>8</td><td>K95</td><td>20</td><td>TN</td><td>1651988C1</td></tr> <tr><td>9</td><td>K95A</td><td>20</td><td>TN</td><td>1651988C1</td></tr> <tr><td>10</td><td>K6</td><td>20</td><td>VT</td><td>1651988C1</td></tr> <tr><td>11</td><td>K95(+)</td><td>20</td><td>TN</td><td>1651988C1</td></tr> <tr><td>12</td><td>K95(-)</td><td>20</td><td>TN</td><td>1651988C1</td></tr> </tbody> </table>				CAVITY	CIRCUIT	GAUGE	COLOR	TERMINAL	1	K5(+)	20	YL	1651988C1	2	K5(-)	20	GN	1651988C1	3	K10-GM	16	WH	1651988C1	4	KL13	16	PK	1651988C1	5	K5A(+)	20	YL	1651988C1	6	K5A(-)	20	GN	1651988C1	7	K9	20	TN	1651988C1	8	K95	20	TN	1651988C1	9	K95A	20	TN	1651988C1	10	K6	20	VT	1651988C1	11	K95(+)	20	TN	1651988C1	12	K95(-)	20	TN	1651988C1
CAVITY	CIRCUIT	GAUGE	COLOR	TERMINAL																																																																				
1	K5(+)	20	YL	1651988C1																																																																				
2	K5(-)	20	GN	1651988C1																																																																				
3	K10-GM	16	WH	1651988C1																																																																				
4	KL13	16	PK	1651988C1																																																																				
5	K5A(+)	20	YL	1651988C1																																																																				
6	K5A(-)	20	GN	1651988C1																																																																				
7	K9	20	TN	1651988C1																																																																				
8	K95	20	TN	1651988C1																																																																				
9	K95A	20	TN	1651988C1																																																																				
10	K6	20	VT	1651988C1																																																																				
11	K95(+)	20	TN	1651988C1																																																																				
12	K95(-)	20	TN	1651988C1																																																																				
<p>AFTER TREATMENT CONNECTOR (670C) (LOCATED IN ENGINE)</p>  <p>CONNECTOR 3959006C1</p>				<table border="1" style="width: 100%; border-collapse: collapse; font-size: x-small;"> <thead> <tr> <th>CAVITY</th> <th>CIRCUIT</th> <th>GAUGE</th> <th>COLOR</th> <th>TERMINAL</th> </tr> </thead> <tbody> <tr><td>1</td><td>K5(+)</td><td>20</td><td>YL</td><td>3686945C1</td></tr> <tr><td>2</td><td>K5(-)</td><td>20</td><td>GN</td><td>3686945C1</td></tr> <tr><td>3</td><td>K10-GM</td><td>16</td><td>WH</td><td>3686946C1</td></tr> <tr><td>4</td><td>K13</td><td>16</td><td>PK</td><td>3686946C1</td></tr> <tr><td>5</td><td>K5A(+)</td><td>20</td><td>YL</td><td>3686945C1</td></tr> <tr><td>6</td><td>K5A(-)</td><td>20</td><td>GN</td><td>3686945C1</td></tr> <tr><td>7</td><td>K9</td><td>20</td><td>TN</td><td>3686945C1</td></tr> <tr><td>8</td><td>K95</td><td>20</td><td>TN</td><td>3686945C1</td></tr> <tr><td>9</td><td>K95A</td><td>20</td><td>TN</td><td>3686945C1</td></tr> <tr><td>10</td><td>K6</td><td>20</td><td>VT</td><td>3686945C1</td></tr> <tr><td>11</td><td>K95(+)</td><td>20</td><td>TN</td><td>3686945C1</td></tr> <tr><td>12</td><td>K95(-)</td><td>20</td><td>TN</td><td>3686945C1</td></tr> </tbody> </table>				CAVITY	CIRCUIT	GAUGE	COLOR	TERMINAL	1	K5(+)	20	YL	3686945C1	2	K5(-)	20	GN	3686945C1	3	K10-GM	16	WH	3686946C1	4	K13	16	PK	3686946C1	5	K5A(+)	20	YL	3686945C1	6	K5A(-)	20	GN	3686945C1	7	K9	20	TN	3686945C1	8	K95	20	TN	3686945C1	9	K95A	20	TN	3686945C1	10	K6	20	VT	3686945C1	11	K95(+)	20	TN	3686945C1	12	K95(-)	20	TN	3686945C1
CAVITY	CIRCUIT	GAUGE	COLOR	TERMINAL																																																																				
1	K5(+)	20	YL	3686945C1																																																																				
2	K5(-)	20	GN	3686945C1																																																																				
3	K10-GM	16	WH	3686946C1																																																																				
4	K13	16	PK	3686946C1																																																																				
5	K5A(+)	20	YL	3686945C1																																																																				
6	K5A(-)	20	GN	3686945C1																																																																				
7	K9	20	TN	3686945C1																																																																				
8	K95	20	TN	3686945C1																																																																				
9	K95A	20	TN	3686945C1																																																																				
10	K6	20	VT	3686945C1																																																																				
11	K95(+)	20	TN	3686945C1																																																																				
12	K95(-)	20	TN	3686945C1																																																																				
CHK	DATE	CHANGE	REV	REFERENCE	DRAWN	NAME																																																																		
0488	09SEP15	MOVED R/D 671 IN	C	93248U	MJV0088	CIRCUIT DIAGRAM, PROSTAR, LONESTAR																																																																		
SHEET 04B.		RELEASE NO.		DATE	PART NO.	SHEET																																																																		
				91662T	21DEC12	AE08058107 04A																																																																		

Figure 388 Connector Body Composite (670A), (670B), (670C)

14.9. CONNECTOR BODY COMPOSITE (671), (672), (673), P. 4B

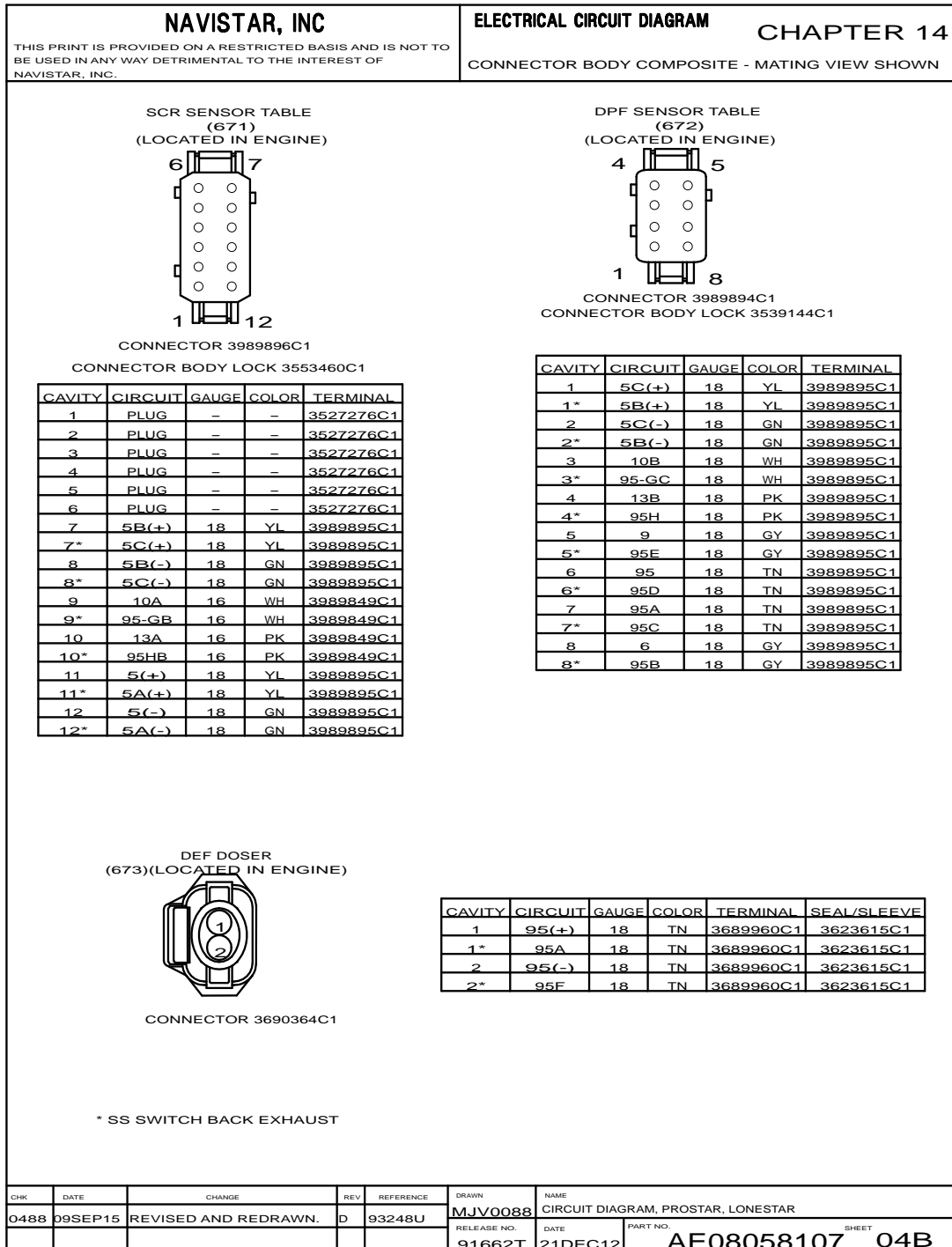


Figure 389 Connector Body Composite (671), (672), (673)

14.10. CONNECTOR BODY COMPOSITE (674), P. 4C

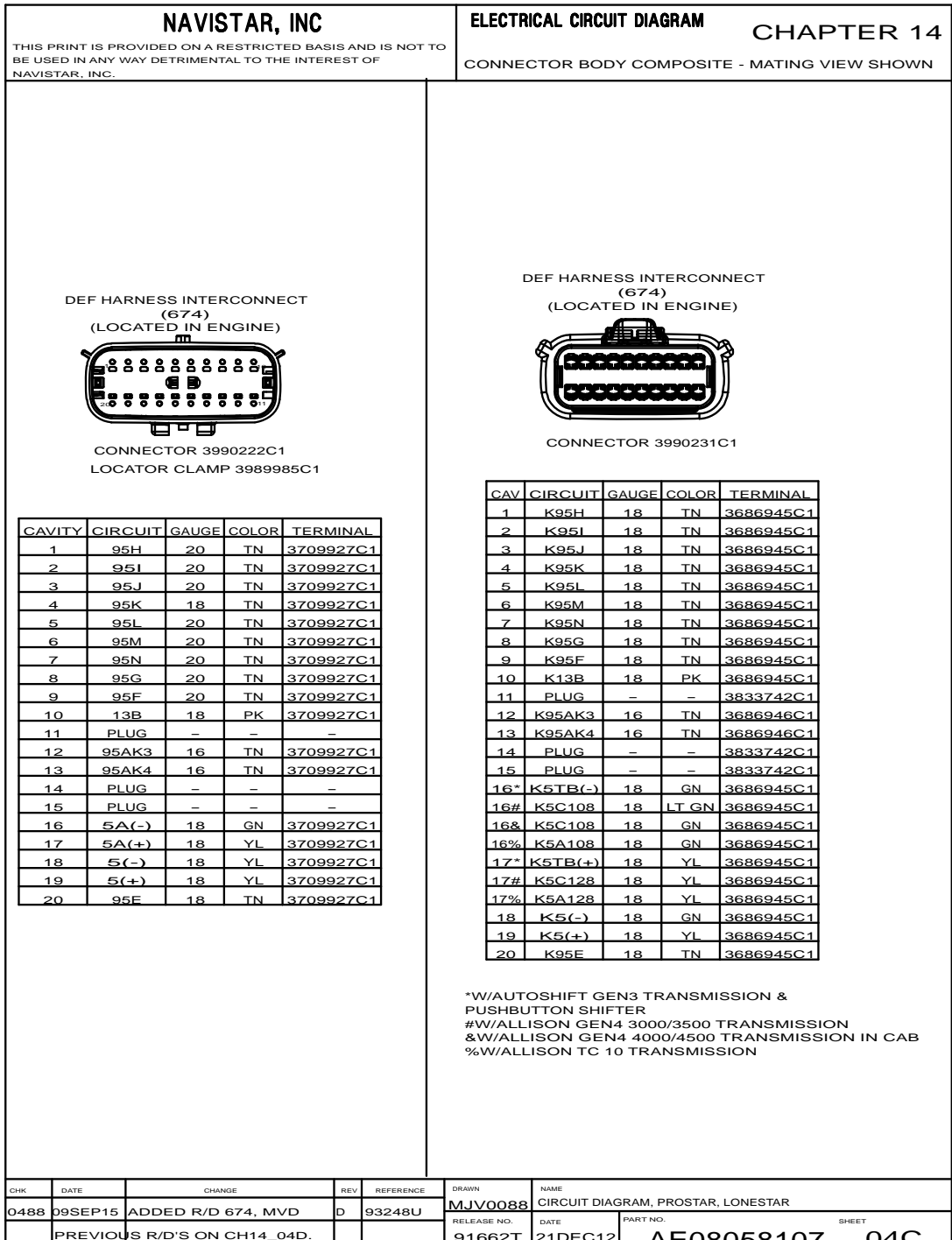


Figure 390 Connector Body Composite (674)

14.11. CONNECTOR BODY COMPOSITE (674), (674A), (674D), P. 4D

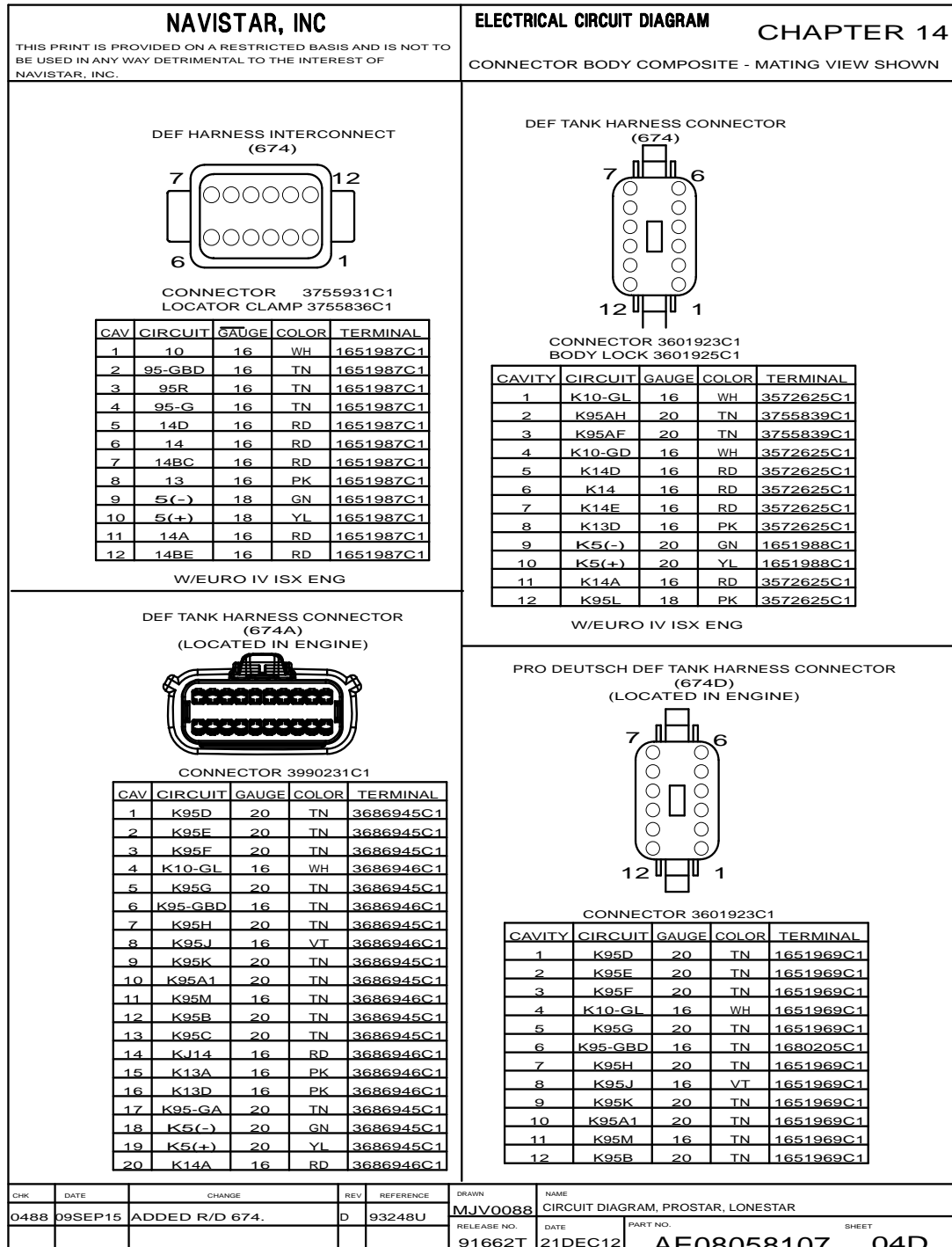


Figure 391 Connector Body Composite (674), (674A), (674D)

14.12. CONNECTOR BODY COMPOSITE (674E), (674F), (674G), P. 4E

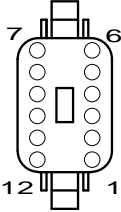
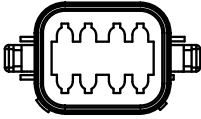
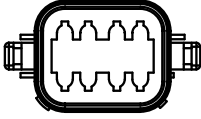
<b>NAVISTAR, INC</b>				<b>ELECTRICAL CIRCUIT DIAGRAM</b>		<b>CHAPTER 14</b>																																																																		
THIS PRINT IS PROVIDED ON A RESTRICTED BASIS AND IS NOT TO BE USED IN ANY WAY DETRIMENTAL TO THE INTEREST OF NAVISTAR, INC.				CONNECTOR BODY COMPOSITE - MATING VIEW SHOWN																																																																				
<p style="text-align: center;">DEF TANK HARNESS CONNECTOR (674E) (LOCATED IN ENGINE)</p>  <p style="text-align: center;">CONNECTOR 3601923C1</p>				<table border="1" style="width:100%; border-collapse: collapse; font-size: x-small;"> <thead> <tr> <th>CAVITY</th> <th>CIRCUIT</th> <th>GAUGE</th> <th>COLOR</th> <th>TERMINAL</th> </tr> </thead> <tbody> <tr><td>1</td><td>K95D</td><td>20</td><td>TN</td><td>1651988C1</td></tr> <tr><td>2</td><td>K95E</td><td>20</td><td>TN</td><td>1651988C1</td></tr> <tr><td>3</td><td>K95F</td><td>20</td><td>TN</td><td>1651988C1</td></tr> <tr><td>4</td><td>K10-GI</td><td>16</td><td>WH</td><td>1651988C1</td></tr> <tr><td>5</td><td>K95-G</td><td>20</td><td>TN</td><td>1651988C1</td></tr> <tr><td>6</td><td>K95-GBD</td><td>16</td><td>TN</td><td>1651988C1</td></tr> <tr><td>7</td><td>K95H</td><td>20</td><td>TN</td><td>1651988C1</td></tr> <tr><td>8</td><td>K95J</td><td>16</td><td>VT</td><td>1651988C1</td></tr> <tr><td>9</td><td>K95K</td><td>20</td><td>TN</td><td>1651988C1</td></tr> <tr><td>10</td><td>K95A1</td><td>20</td><td>TN</td><td>1651988C1</td></tr> <tr><td>11</td><td>K95M</td><td>16</td><td>TN</td><td>1651988C1</td></tr> <tr><td>12</td><td>K95B</td><td>20</td><td>TN</td><td>1651988C1</td></tr> </tbody> </table>				CAVITY	CIRCUIT	GAUGE	COLOR	TERMINAL	1	K95D	20	TN	1651988C1	2	K95E	20	TN	1651988C1	3	K95F	20	TN	1651988C1	4	K10-GI	16	WH	1651988C1	5	K95-G	20	TN	1651988C1	6	K95-GBD	16	TN	1651988C1	7	K95H	20	TN	1651988C1	8	K95J	16	VT	1651988C1	9	K95K	20	TN	1651988C1	10	K95A1	20	TN	1651988C1	11	K95M	16	TN	1651988C1	12	K95B	20	TN	1651988C1
CAVITY	CIRCUIT	GAUGE	COLOR	TERMINAL																																																																				
1	K95D	20	TN	1651988C1																																																																				
2	K95E	20	TN	1651988C1																																																																				
3	K95F	20	TN	1651988C1																																																																				
4	K10-GI	16	WH	1651988C1																																																																				
5	K95-G	20	TN	1651988C1																																																																				
6	K95-GBD	16	TN	1651988C1																																																																				
7	K95H	20	TN	1651988C1																																																																				
8	K95J	16	VT	1651988C1																																																																				
9	K95K	20	TN	1651988C1																																																																				
10	K95A1	20	TN	1651988C1																																																																				
11	K95M	16	TN	1651988C1																																																																				
12	K95B	20	TN	1651988C1																																																																				
<p style="text-align: center;">DEF TANK HARNESS CONNECTOR (674F) (LOCATED IN ENGINE)</p>  <p style="text-align: center;">CONNECTOR 3755935C1</p>				<table border="1" style="width:100%; border-collapse: collapse; font-size: x-small;"> <thead> <tr> <th>CAVITY</th> <th>CIRCUIT</th> <th>GAUGE</th> <th>COLOR</th> <th>TERMINAL</th> </tr> </thead> <tbody> <tr><td>1</td><td>K95C</td><td>20</td><td>TN</td><td>1651988C1</td></tr> <tr><td>2</td><td>K14</td><td>16</td><td>RD</td><td>1651988C1</td></tr> <tr><td>3</td><td>K13A</td><td>16</td><td>PK</td><td>1651988C1</td></tr> <tr><td>4</td><td>K13D</td><td>16</td><td>PK</td><td>1651988C1</td></tr> <tr><td>5</td><td>K95-GA</td><td>20</td><td>TN</td><td>1651988C1</td></tr> <tr><td>6</td><td>KL5(-)</td><td>20</td><td>GN</td><td>1651988C1</td></tr> <tr><td>7</td><td>KL5(+)</td><td>20</td><td>YL</td><td>1651988C1</td></tr> <tr><td>8</td><td>KL14A</td><td>16</td><td>RD</td><td>1651988C1</td></tr> </tbody> </table>				CAVITY	CIRCUIT	GAUGE	COLOR	TERMINAL	1	K95C	20	TN	1651988C1	2	K14	16	RD	1651988C1	3	K13A	16	PK	1651988C1	4	K13D	16	PK	1651988C1	5	K95-GA	20	TN	1651988C1	6	KL5(-)	20	GN	1651988C1	7	KL5(+)	20	YL	1651988C1	8	KL14A	16	RD	1651988C1																				
CAVITY	CIRCUIT	GAUGE	COLOR	TERMINAL																																																																				
1	K95C	20	TN	1651988C1																																																																				
2	K14	16	RD	1651988C1																																																																				
3	K13A	16	PK	1651988C1																																																																				
4	K13D	16	PK	1651988C1																																																																				
5	K95-GA	20	TN	1651988C1																																																																				
6	KL5(-)	20	GN	1651988C1																																																																				
7	KL5(+)	20	YL	1651988C1																																																																				
8	KL14A	16	RD	1651988C1																																																																				
<p style="text-align: center;">DEF TANK HARNESS CONNECTOR (674G) (LOCATED IN ENGINE)</p>  <p style="text-align: center;">CONNECTOR 3755935C1</p>				<table border="1" style="width:100%; border-collapse: collapse; font-size: x-small;"> <thead> <tr> <th>CAVITY</th> <th>CIRCUIT</th> <th>GAUGE</th> <th>COLOR</th> <th>TERMINAL</th> </tr> </thead> <tbody> <tr><td>1</td><td>K95C</td><td>20</td><td>TN</td><td>1651969C1</td></tr> <tr><td>2</td><td>K14</td><td>16</td><td>RD</td><td>1651969C1</td></tr> <tr><td>3</td><td>K13A</td><td>16</td><td>PK</td><td>1651969C1</td></tr> <tr><td>4</td><td>K13D</td><td>16</td><td>PK</td><td>1651969C1</td></tr> <tr><td>5</td><td>K95-GA</td><td>20</td><td>TN</td><td>1651969C1</td></tr> <tr><td>6</td><td>K5(-)</td><td>20</td><td>GN</td><td>1651969C1</td></tr> <tr><td>7</td><td>K5(+)</td><td>20</td><td>YL</td><td>1651969C1</td></tr> <tr><td>8</td><td>K14A</td><td>16</td><td>RD</td><td>1651969C1</td></tr> </tbody> </table>				CAVITY	CIRCUIT	GAUGE	COLOR	TERMINAL	1	K95C	20	TN	1651969C1	2	K14	16	RD	1651969C1	3	K13A	16	PK	1651969C1	4	K13D	16	PK	1651969C1	5	K95-GA	20	TN	1651969C1	6	K5(-)	20	GN	1651969C1	7	K5(+)	20	YL	1651969C1	8	K14A	16	RD	1651969C1																				
CAVITY	CIRCUIT	GAUGE	COLOR	TERMINAL																																																																				
1	K95C	20	TN	1651969C1																																																																				
2	K14	16	RD	1651969C1																																																																				
3	K13A	16	PK	1651969C1																																																																				
4	K13D	16	PK	1651969C1																																																																				
5	K95-GA	20	TN	1651969C1																																																																				
6	K5(-)	20	GN	1651969C1																																																																				
7	K5(+)	20	YL	1651969C1																																																																				
8	K14A	16	RD	1651969C1																																																																				
CHK	DATE	CHANGE	REV	REFERENCE	DRAWN	NAME																																																																		
-	-	ADDED R/D 674E,674F & C	C	92447S	MJV0088	CIRCUIT DIAGRAM, PROSTAR																																																																		
674G.MVD PREVIOUS R/D'S.				RELEASE NO.	DATE	PART NO.	SHEET																																																																	
674G.MVD PREVIOUS R/D'S.				91662T	21DEC12	AE08058107	04E																																																																	

Figure 392 Connector Body Composite (674E), (674F), (674G)



14.13. CONNECTOR BODY COMPOSITE (675), (676), (677), (678), P. 4F

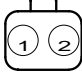
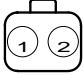

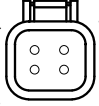
<b>NAVISTAR, INC</b>				<b>ELECTRICAL CIRCUIT DIAGRAM</b>																																																																																													
THIS PRINT IS PROVIDED ON A RESTRICTED BASIS AND IS NOT TO BE USED IN ANY WAY DETRIMENTAL TO THE INTEREST OF NAVISTAR, INC.				<b>CHAPTER 14</b>																																																																																													
				CONNECTOR BODY COMPOSITE- MATING VIEW SHOWN																																																																																													
<p>BACKFLOW HEATER LINE (675) (LOCATED IN ENGINE)</p>  <p>CONNECTOR 3854665C91</p> <table border="1" style="width:100%; border-collapse: collapse; font-size: x-small;"> <thead> <tr> <th>CAVITY</th> <th>CIRCUIT</th> <th>GAUGE</th> <th>COLOR</th> <th>TERMINAL</th> </tr> </thead> <tbody> <tr><td>1</td><td>95AA</td><td>16</td><td>TN</td><td>1680205C1</td></tr> <tr><td>1*</td><td>95AC</td><td>18</td><td>TN</td><td>1680205C1</td></tr> <tr><td>1%</td><td>95A</td><td>16</td><td>TN</td><td>1680205C1</td></tr> <tr><td>2</td><td>95-GA</td><td>16</td><td>TN</td><td>1680205C1</td></tr> <tr><td>2*</td><td>95AG</td><td>16</td><td>TN</td><td>1680205C1</td></tr> <tr><td>2%</td><td>95-GA</td><td>16</td><td>TN</td><td>1680205C1</td></tr> </tbody> </table> <p>* W/ 2010 SCR 13L ENG % W/ EURO IV ISX ENGINE</p>				CAVITY	CIRCUIT	GAUGE	COLOR	TERMINAL	1	95AA	16	TN	1680205C1	1*	95AC	18	TN	1680205C1	1%	95A	16	TN	1680205C1	2	95-GA	16	TN	1680205C1	2*	95AG	16	TN	1680205C1	2%	95-GA	16	TN	1680205C1	<p>SUCTION HEATER LINE (677) (LOCATED IN ENGINE)</p>  <p>CONNECTOR 3854645C91</p> <table border="1" style="width:100%; border-collapse: collapse; font-size: x-small;"> <thead> <tr> <th>CAVITY</th> <th>CIRCUIT</th> <th>GAUGE</th> <th>COLOR</th> <th>TERMINAL</th> </tr> </thead> <tbody> <tr><td>1</td><td>95CA</td><td>16</td><td>TN</td><td>1680205C1</td></tr> <tr><td>1*</td><td>95AE</td><td>18</td><td>TN</td><td>1680205C1</td></tr> <tr><td>1%</td><td>95C</td><td>16</td><td>TN</td><td>1680205C1</td></tr> <tr><td>2</td><td>95-GC</td><td>16</td><td>TN</td><td>1680205C1</td></tr> <tr><td>2*</td><td>95A1</td><td>16</td><td>TN</td><td>1680205C1</td></tr> <tr><td>2%</td><td>95-GC</td><td>16</td><td>TN</td><td>1680205C1</td></tr> </tbody> </table> <p>* W/ 2010 SCR 13L ENG % W/ EURO IV ISX ENGINE</p>				CAVITY	CIRCUIT	GAUGE	COLOR	TERMINAL	1	95CA	16	TN	1680205C1	1*	95AE	18	TN	1680205C1	1%	95C	16	TN	1680205C1	2	95-GC	16	TN	1680205C1	2*	95A1	16	TN	1680205C1	2%	95-GC	16	TN	1680205C1																				
CAVITY	CIRCUIT	GAUGE	COLOR	TERMINAL																																																																																													
1	95AA	16	TN	1680205C1																																																																																													
1*	95AC	18	TN	1680205C1																																																																																													
1%	95A	16	TN	1680205C1																																																																																													
2	95-GA	16	TN	1680205C1																																																																																													
2*	95AG	16	TN	1680205C1																																																																																													
2%	95-GA	16	TN	1680205C1																																																																																													
CAVITY	CIRCUIT	GAUGE	COLOR	TERMINAL																																																																																													
1	95CA	16	TN	1680205C1																																																																																													
1*	95AE	18	TN	1680205C1																																																																																													
1%	95C	16	TN	1680205C1																																																																																													
2	95-GC	16	TN	1680205C1																																																																																													
2*	95A1	16	TN	1680205C1																																																																																													
2%	95-GC	16	TN	1680205C1																																																																																													
<p>PRESSURE HEATER LINE (676) (LOCATED IN ENGINE)</p>  <p>CONNECTOR 3854666C91</p> <table border="1" style="width:100%; border-collapse: collapse; font-size: x-small;"> <thead> <tr> <th>CAVITY</th> <th>CIRCUIT</th> <th>GAUGE</th> <th>COLOR</th> <th>TERMINAL</th> </tr> </thead> <tbody> <tr><td>1</td><td>95BA</td><td>16</td><td>TN</td><td>1680205C1</td></tr> <tr><td>1*</td><td>95AD</td><td>18</td><td>TN</td><td>1680205C1</td></tr> <tr><td>2</td><td>95-GB</td><td>16</td><td>TN</td><td>1680205C1</td></tr> <tr><td>2*</td><td>95AH</td><td>16</td><td>TN</td><td>1680205C1</td></tr> </tbody> </table> <p>* W/ 2010 SCR 13L ENG</p>				CAVITY	CIRCUIT	GAUGE	COLOR	TERMINAL	1	95BA	16	TN	1680205C1	1*	95AD	18	TN	1680205C1	2	95-GB	16	TN	1680205C1	2*	95AH	16	TN	1680205C1	<p>TANK SENSOR TEMP/ LEVEL (678) (LOCATED IN ENGINE)</p>  <p>CONNECTOR 3991593C1 BODY LOCK 3545579C1</p> <table border="1" style="width:100%; border-collapse: collapse; font-size: x-small;"> <thead> <tr> <th>CAVITY</th> <th>CIRCUIT</th> <th>GAUGE</th> <th>COLOR</th> <th>TERMINAL</th> </tr> </thead> <tbody> <tr><td>1</td><td>5A(-)</td><td>18</td><td>GN</td><td>3572625C1</td></tr> <tr><td>1*</td><td>5BA(-)</td><td>18</td><td>GN</td><td>3572625C1</td></tr> <tr><td>1%</td><td>5A(-)</td><td>18</td><td>GN</td><td>3572625C1</td></tr> <tr><td>2</td><td>5A(+)</td><td>18</td><td>YL</td><td>3572625C1</td></tr> <tr><td>2*</td><td>5BA(+)</td><td>18</td><td>YL</td><td>3572625C1</td></tr> <tr><td>2%</td><td>5A(+)</td><td>18</td><td>YL</td><td>3572625C1</td></tr> <tr><td>3</td><td>10B</td><td>16</td><td>WH</td><td>3572625C1</td></tr> <tr><td>3*</td><td>95-GD</td><td>16</td><td>TN</td><td>3572625C1</td></tr> <tr><td>3%</td><td>10GB</td><td>16</td><td>WH</td><td>3572625C1</td></tr> <tr><td>4</td><td>13A</td><td>16</td><td>PK</td><td>3572625C1</td></tr> <tr><td>4*</td><td>95EA</td><td>16</td><td>TN</td><td>3572625C1</td></tr> <tr><td>4%</td><td>13AB</td><td>16</td><td>PK</td><td>3572625C1</td></tr> </tbody> </table> <p>* W/ 2010 SCR 13L ENG % W/ EURO IV ISX ENGINE</p>				CAVITY	CIRCUIT	GAUGE	COLOR	TERMINAL	1	5A(-)	18	GN	3572625C1	1*	5BA(-)	18	GN	3572625C1	1%	5A(-)	18	GN	3572625C1	2	5A(+)	18	YL	3572625C1	2*	5BA(+)	18	YL	3572625C1	2%	5A(+)	18	YL	3572625C1	3	10B	16	WH	3572625C1	3*	95-GD	16	TN	3572625C1	3%	10GB	16	WH	3572625C1	4	13A	16	PK	3572625C1	4*	95EA	16	TN	3572625C1	4%	13AB	16	PK	3572625C1
CAVITY	CIRCUIT	GAUGE	COLOR	TERMINAL																																																																																													
1	95BA	16	TN	1680205C1																																																																																													
1*	95AD	18	TN	1680205C1																																																																																													
2	95-GB	16	TN	1680205C1																																																																																													
2*	95AH	16	TN	1680205C1																																																																																													
CAVITY	CIRCUIT	GAUGE	COLOR	TERMINAL																																																																																													
1	5A(-)	18	GN	3572625C1																																																																																													
1*	5BA(-)	18	GN	3572625C1																																																																																													
1%	5A(-)	18	GN	3572625C1																																																																																													
2	5A(+)	18	YL	3572625C1																																																																																													
2*	5BA(+)	18	YL	3572625C1																																																																																													
2%	5A(+)	18	YL	3572625C1																																																																																													
3	10B	16	WH	3572625C1																																																																																													
3*	95-GD	16	TN	3572625C1																																																																																													
3%	10GB	16	WH	3572625C1																																																																																													
4	13A	16	PK	3572625C1																																																																																													
4*	95EA	16	TN	3572625C1																																																																																													
4%	13AB	16	PK	3572625C1																																																																																													
CHK	DATE	CHANGE	REV	REFERENCE	DRAWN	NAME																																																																																											
0488	20MAY14	ADDED R/D 5755666.	B	92447S	MJV0088	CIRCUIT DIAGRAM, PROSTAR																																																																																											
	677 & 678	MIXED R/D 679.			RELEASE NO.	DATE	PART NO.																																																																																										
					91662T	21DEC12	AE08058107																																																																																										
						SHEET	04F																																																																																										

Figure 393 Connector Body Composite (675), (676), (677), (678)

14.14. CONNECTOR BODY COMPOSITE (679), P. 4G

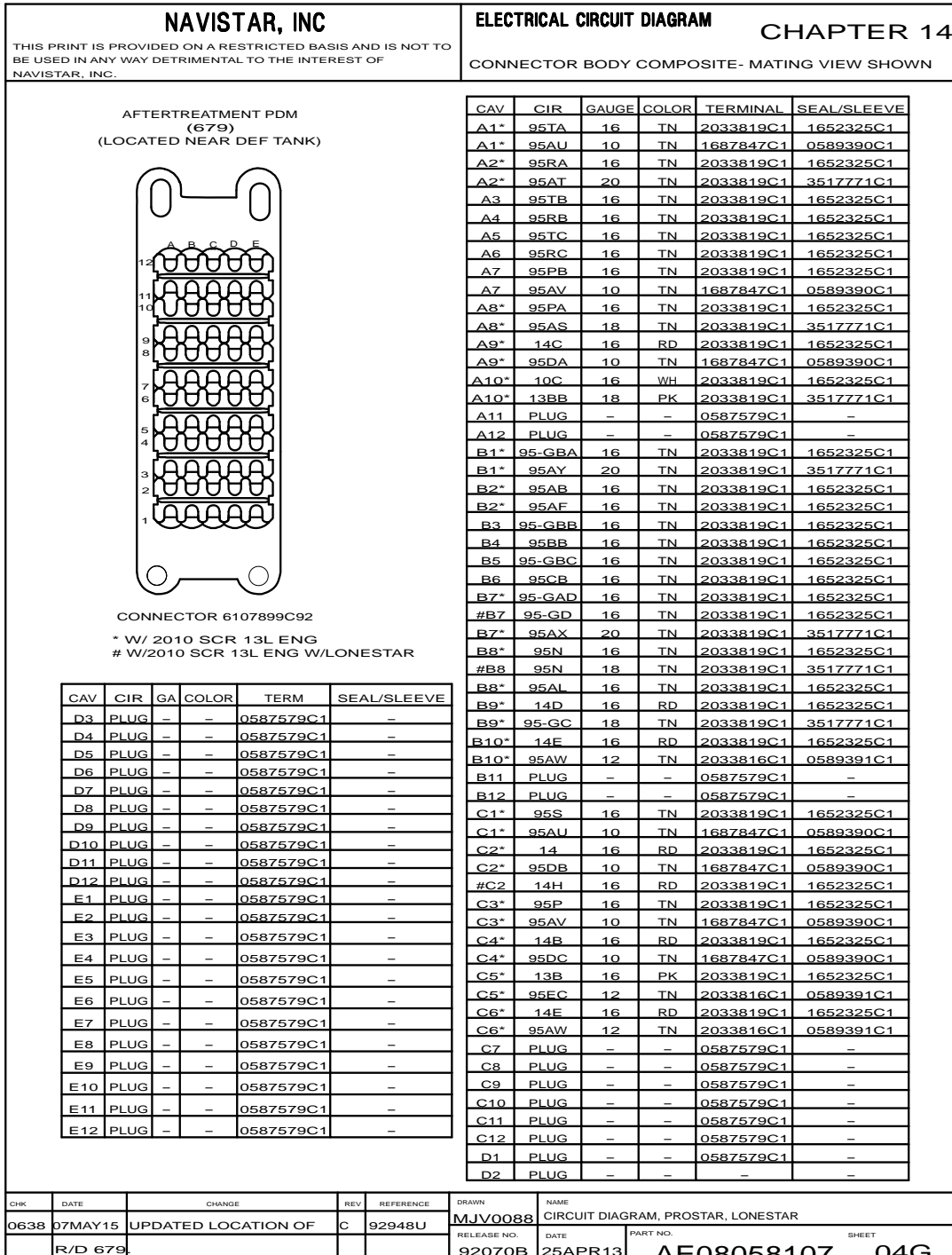


Figure 394 Connector Body Composite (679)

14.15. CONNECTOR BODY COMPOSITE (679), P. 4H

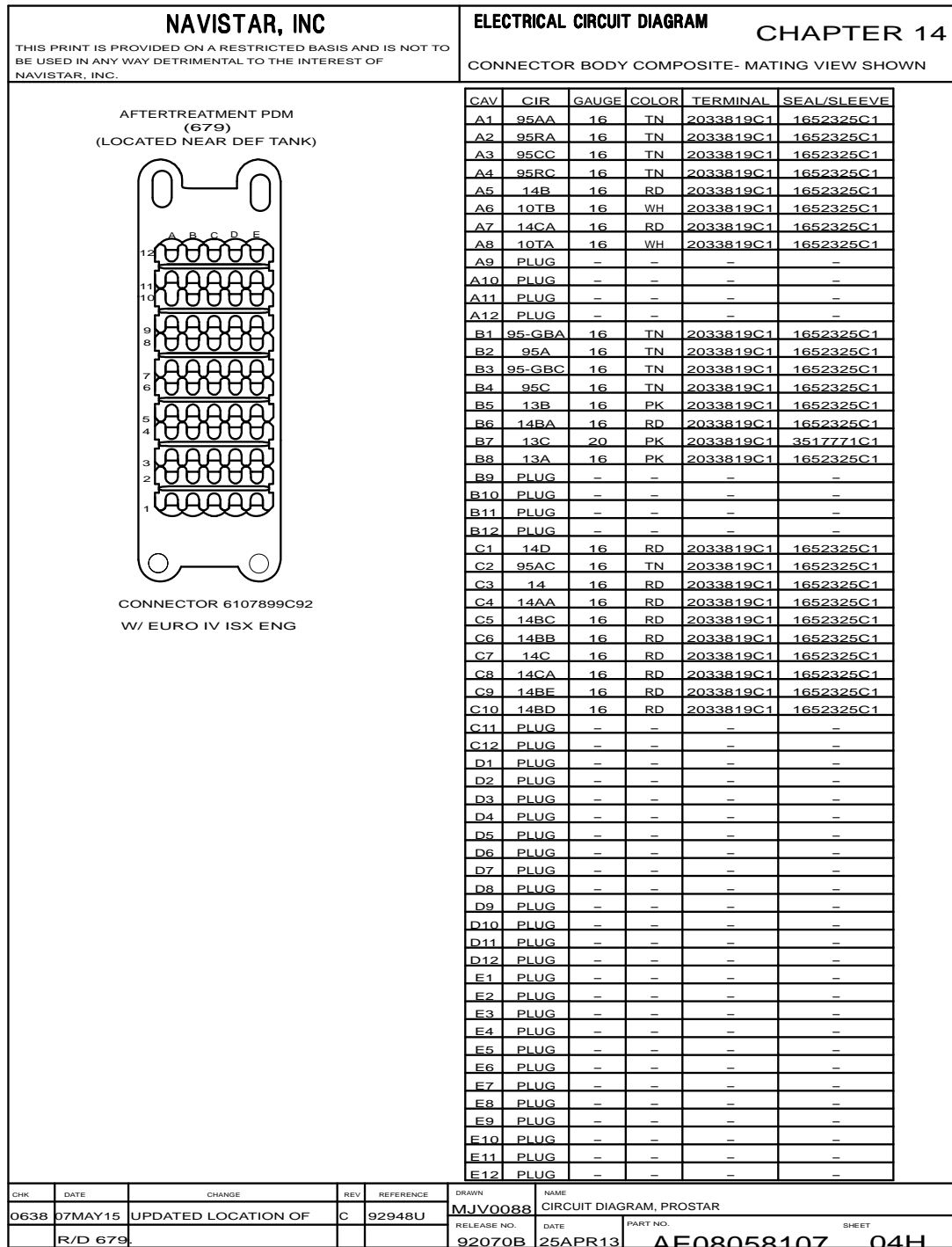


Figure 395 Connector Body Composite (679)

14.16. CONNECTOR BODY COMPOSITE (679), (680), P. 4I

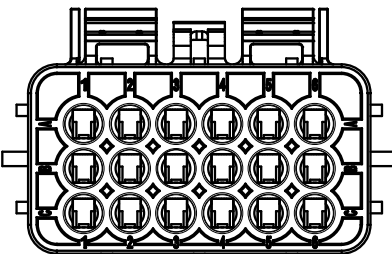
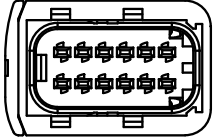
<b>NAVISTAR, INC</b>				<b>ELECTRICAL CIRCUIT DIAGRAM</b>		<b>CHAPTER 14</b>																																																																																																																																											
THIS PRINT IS PROVIDED ON A RESTRICTED BASIS AND IS NOT TO BE USED IN ANY WAY DETRIMENTAL TO THE INTEREST OF NAVISTAR, INC.				CONNECTOR BODY COMPOSITE- MATING VIEW SHOWN																																																																																																																																													
<p>AFTERTREATMENT PDM (679) (LOCATED NEAR DEF TANK)</p>  <p>CONNECTOR 6114508C1 BODY LOCK 6114510C1</p>				<table border="1" style="width:100%; border-collapse: collapse; font-size: x-small;"> <thead> <tr> <th>CAV</th> <th>CIR</th> <th>GAUGE</th> <th>COLOR</th> <th>TERMINAL</th> <th>SEAL/SLEEVE</th> </tr> </thead> <tbody> <tr><td>A1</td><td>95AU</td><td>10</td><td>TN</td><td>1687847C1</td><td>0589390C1</td></tr> <tr><td>A2</td><td>95AT</td><td>20</td><td>TN</td><td>2033819C1</td><td>3517771C1</td></tr> <tr><td>A3</td><td>95AV</td><td>10</td><td>TN</td><td>1687847C1</td><td>0589390C1</td></tr> <tr><td>A4</td><td>95AS</td><td>18</td><td>TN</td><td>2033819C1</td><td>3517771C1</td></tr> <tr><td>A5</td><td>95DA</td><td>10</td><td>TN</td><td>1687847C1</td><td>0589390C1</td></tr> <tr><td>A6</td><td>13BB</td><td>18</td><td>PK</td><td>2033819C1</td><td>3517771C1</td></tr> <tr><td>B1</td><td>95AY</td><td>20</td><td>TN</td><td>2033819C1</td><td>3517771C1</td></tr> <tr><td>B2</td><td>95AF</td><td>16</td><td>TN</td><td>2033819C1</td><td>1652325C1</td></tr> <tr><td>B3</td><td>95AX</td><td>20</td><td>TN</td><td>2033819C1</td><td>3517771C1</td></tr> <tr><td>B4</td><td>95AL</td><td>16</td><td>TN</td><td>2033819C1</td><td>1652325C1</td></tr> <tr><td>B5</td><td>95-GC</td><td>18</td><td>TN</td><td>2033819C1</td><td>3517771C1</td></tr> <tr><td>B6</td><td>95AW</td><td>12</td><td>TN</td><td>2033816C1</td><td>0589391C1</td></tr> <tr><td>C1</td><td>95AU</td><td>10</td><td>TN</td><td>1687847C1</td><td>0589390C1</td></tr> <tr><td>C2</td><td>95DB</td><td>10</td><td>TN</td><td>1687847C1</td><td>0589390C1</td></tr> <tr><td>C3</td><td>95AV</td><td>10</td><td>TN</td><td>1687847C1</td><td>0589390C1</td></tr> <tr><td>C4</td><td>95DC</td><td>10</td><td>TN</td><td>1687847C1</td><td>0589390C1</td></tr> <tr><td>C5</td><td>95EC</td><td>12</td><td>TN</td><td>2033816C1</td><td>0589391C1</td></tr> <tr><td>C6</td><td>95AW</td><td>12</td><td>TN</td><td>2033816C1</td><td>0589391C1</td></tr> </tbody> </table>				CAV	CIR	GAUGE	COLOR	TERMINAL	SEAL/SLEEVE	A1	95AU	10	TN	1687847C1	0589390C1	A2	95AT	20	TN	2033819C1	3517771C1	A3	95AV	10	TN	1687847C1	0589390C1	A4	95AS	18	TN	2033819C1	3517771C1	A5	95DA	10	TN	1687847C1	0589390C1	A6	13BB	18	PK	2033819C1	3517771C1	B1	95AY	20	TN	2033819C1	3517771C1	B2	95AF	16	TN	2033819C1	1652325C1	B3	95AX	20	TN	2033819C1	3517771C1	B4	95AL	16	TN	2033819C1	1652325C1	B5	95-GC	18	TN	2033819C1	3517771C1	B6	95AW	12	TN	2033816C1	0589391C1	C1	95AU	10	TN	1687847C1	0589390C1	C2	95DB	10	TN	1687847C1	0589390C1	C3	95AV	10	TN	1687847C1	0589390C1	C4	95DC	10	TN	1687847C1	0589390C1	C5	95EC	12	TN	2033816C1	0589391C1	C6	95AW	12	TN	2033816C1	0589391C1																								
CAV	CIR	GAUGE	COLOR	TERMINAL	SEAL/SLEEVE																																																																																																																																												
A1	95AU	10	TN	1687847C1	0589390C1																																																																																																																																												
A2	95AT	20	TN	2033819C1	3517771C1																																																																																																																																												
A3	95AV	10	TN	1687847C1	0589390C1																																																																																																																																												
A4	95AS	18	TN	2033819C1	3517771C1																																																																																																																																												
A5	95DA	10	TN	1687847C1	0589390C1																																																																																																																																												
A6	13BB	18	PK	2033819C1	3517771C1																																																																																																																																												
B1	95AY	20	TN	2033819C1	3517771C1																																																																																																																																												
B2	95AF	16	TN	2033819C1	1652325C1																																																																																																																																												
B3	95AX	20	TN	2033819C1	3517771C1																																																																																																																																												
B4	95AL	16	TN	2033819C1	1652325C1																																																																																																																																												
B5	95-GC	18	TN	2033819C1	3517771C1																																																																																																																																												
B6	95AW	12	TN	2033816C1	0589391C1																																																																																																																																												
C1	95AU	10	TN	1687847C1	0589390C1																																																																																																																																												
C2	95DB	10	TN	1687847C1	0589390C1																																																																																																																																												
C3	95AV	10	TN	1687847C1	0589390C1																																																																																																																																												
C4	95DC	10	TN	1687847C1	0589390C1																																																																																																																																												
C5	95EC	12	TN	2033816C1	0589391C1																																																																																																																																												
C6	95AW	12	TN	2033816C1	0589391C1																																																																																																																																												
<p>DEF PUMP (680) (LOCATED IN ENGINE COMPARTMENT NEAR DEF TANK)</p>  <p>CONNECTOR 3850730C1</p> <p>* W/ 2010 SCR 13L ENGINE</p>				<table border="1" style="width:100%; border-collapse: collapse; font-size: x-small;"> <thead> <tr> <th>CAV</th> <th>CIRC</th> <th>GAUGE</th> <th>COLOR</th> <th>TERMINAL</th> <th>SEAL/SLEEVE</th> </tr> </thead> <tbody> <tr><td>1</td><td>PLUG</td><td>-</td><td>-</td><td>-</td><td>-</td></tr> <tr><td>2</td><td>95J</td><td>16</td><td>TN</td><td>3712037C1</td><td>3573653C1</td></tr> <tr><td>2*</td><td>95U</td><td>20</td><td>TN</td><td>3989902C1</td><td>3922307C1</td></tr> <tr><td>3</td><td>95K</td><td>16</td><td>TN</td><td>3712037C1</td><td>3573653C1</td></tr> <tr><td>3*</td><td>95V</td><td>20</td><td>TN</td><td>3989902C1</td><td>3922307C1</td></tr> <tr><td>4</td><td>95H</td><td>16</td><td>TN</td><td>3712037C1</td><td>3573653C1</td></tr> <tr><td>4*</td><td>95W</td><td>20</td><td>TN</td><td>3989902C1</td><td>3922307C1</td></tr> <tr><td>5</td><td>95N</td><td>16</td><td>TN</td><td>3712037C1</td><td>3573653C1</td></tr> <tr><td>5*</td><td>95AL</td><td>16</td><td>TN</td><td>3712037C1</td><td>3573653C1</td></tr> <tr><td>6</td><td>10A</td><td>16</td><td>WH</td><td>3712037C1</td><td>3573653C1</td></tr> <tr><td>6*</td><td>95-GB</td><td>16</td><td>TN</td><td>3712037C1</td><td>3573653C1</td></tr> <tr><td>7</td><td>PLUG</td><td>-</td><td>-</td><td>-</td><td>-</td></tr> <tr><td>8</td><td>95L</td><td>16</td><td>TN</td><td>3712037C1</td><td>3573653C1</td></tr> <tr><td>8*</td><td>95X</td><td>18</td><td>TN</td><td>3989902C1</td><td>3573653C1</td></tr> <tr><td>9</td><td>95D</td><td>16</td><td>TN</td><td>3712037C1</td><td>3573653C1</td></tr> <tr><td>9*</td><td>95Y</td><td>18</td><td>TN</td><td>3989902C1</td><td>3573653C1</td></tr> <tr><td>10</td><td>95F</td><td>16</td><td>TN</td><td>3712037C1</td><td>3573653C1</td></tr> <tr><td>10*</td><td>95Z</td><td>20</td><td>TN</td><td>3989902C1</td><td>3922307C1</td></tr> <tr><td>11</td><td>95G</td><td>16</td><td>TN</td><td>3712037C1</td><td>3573653C1</td></tr> <tr><td>11*</td><td>95AA</td><td>20</td><td>TN</td><td>3989902C1</td><td>3922307C1</td></tr> <tr><td>12</td><td>95M</td><td>16</td><td>TN</td><td>3712037C1</td><td>3573653C1</td></tr> <tr><td>12*</td><td>95AB</td><td>20</td><td>TN</td><td>3989902C1</td><td>3922307C1</td></tr> </tbody> </table>				CAV	CIRC	GAUGE	COLOR	TERMINAL	SEAL/SLEEVE	1	PLUG	-	-	-	-	2	95J	16	TN	3712037C1	3573653C1	2*	95U	20	TN	3989902C1	3922307C1	3	95K	16	TN	3712037C1	3573653C1	3*	95V	20	TN	3989902C1	3922307C1	4	95H	16	TN	3712037C1	3573653C1	4*	95W	20	TN	3989902C1	3922307C1	5	95N	16	TN	3712037C1	3573653C1	5*	95AL	16	TN	3712037C1	3573653C1	6	10A	16	WH	3712037C1	3573653C1	6*	95-GB	16	TN	3712037C1	3573653C1	7	PLUG	-	-	-	-	8	95L	16	TN	3712037C1	3573653C1	8*	95X	18	TN	3989902C1	3573653C1	9	95D	16	TN	3712037C1	3573653C1	9*	95Y	18	TN	3989902C1	3573653C1	10	95F	16	TN	3712037C1	3573653C1	10*	95Z	20	TN	3989902C1	3922307C1	11	95G	16	TN	3712037C1	3573653C1	11*	95AA	20	TN	3989902C1	3922307C1	12	95M	16	TN	3712037C1	3573653C1	12*	95AB	20	TN	3989902C1	3922307C1
CAV	CIRC	GAUGE	COLOR	TERMINAL	SEAL/SLEEVE																																																																																																																																												
1	PLUG	-	-	-	-																																																																																																																																												
2	95J	16	TN	3712037C1	3573653C1																																																																																																																																												
2*	95U	20	TN	3989902C1	3922307C1																																																																																																																																												
3	95K	16	TN	3712037C1	3573653C1																																																																																																																																												
3*	95V	20	TN	3989902C1	3922307C1																																																																																																																																												
4	95H	16	TN	3712037C1	3573653C1																																																																																																																																												
4*	95W	20	TN	3989902C1	3922307C1																																																																																																																																												
5	95N	16	TN	3712037C1	3573653C1																																																																																																																																												
5*	95AL	16	TN	3712037C1	3573653C1																																																																																																																																												
6	10A	16	WH	3712037C1	3573653C1																																																																																																																																												
6*	95-GB	16	TN	3712037C1	3573653C1																																																																																																																																												
7	PLUG	-	-	-	-																																																																																																																																												
8	95L	16	TN	3712037C1	3573653C1																																																																																																																																												
8*	95X	18	TN	3989902C1	3573653C1																																																																																																																																												
9	95D	16	TN	3712037C1	3573653C1																																																																																																																																												
9*	95Y	18	TN	3989902C1	3573653C1																																																																																																																																												
10	95F	16	TN	3712037C1	3573653C1																																																																																																																																												
10*	95Z	20	TN	3989902C1	3922307C1																																																																																																																																												
11	95G	16	TN	3712037C1	3573653C1																																																																																																																																												
11*	95AA	20	TN	3989902C1	3922307C1																																																																																																																																												
12	95M	16	TN	3712037C1	3573653C1																																																																																																																																												
12*	95AB	20	TN	3989902C1	3922307C1																																																																																																																																												
CHK	DATE	CHANGE	REV	REFERENCE	DRAWN	NAME																																																																																																																																											
0638	07MAY15	UPDATED LOCATION OF	B	92948U	MJV0223	CIRCUIT DIAGRAM, PROSTAR, LONESTAR																																																																																																																																											
R/D 679 AND 680.				RELEASE NO.	DATE	PART NO.	SHEET																																																																																																																																										
				92447S	05MAY14	AE08058107	04I																																																																																																																																										

Figure 396 Connector Body Composite (679), (680)

14.17. CONNECTOR BODY COMPOSITE (680), (681), (682), P. 4J

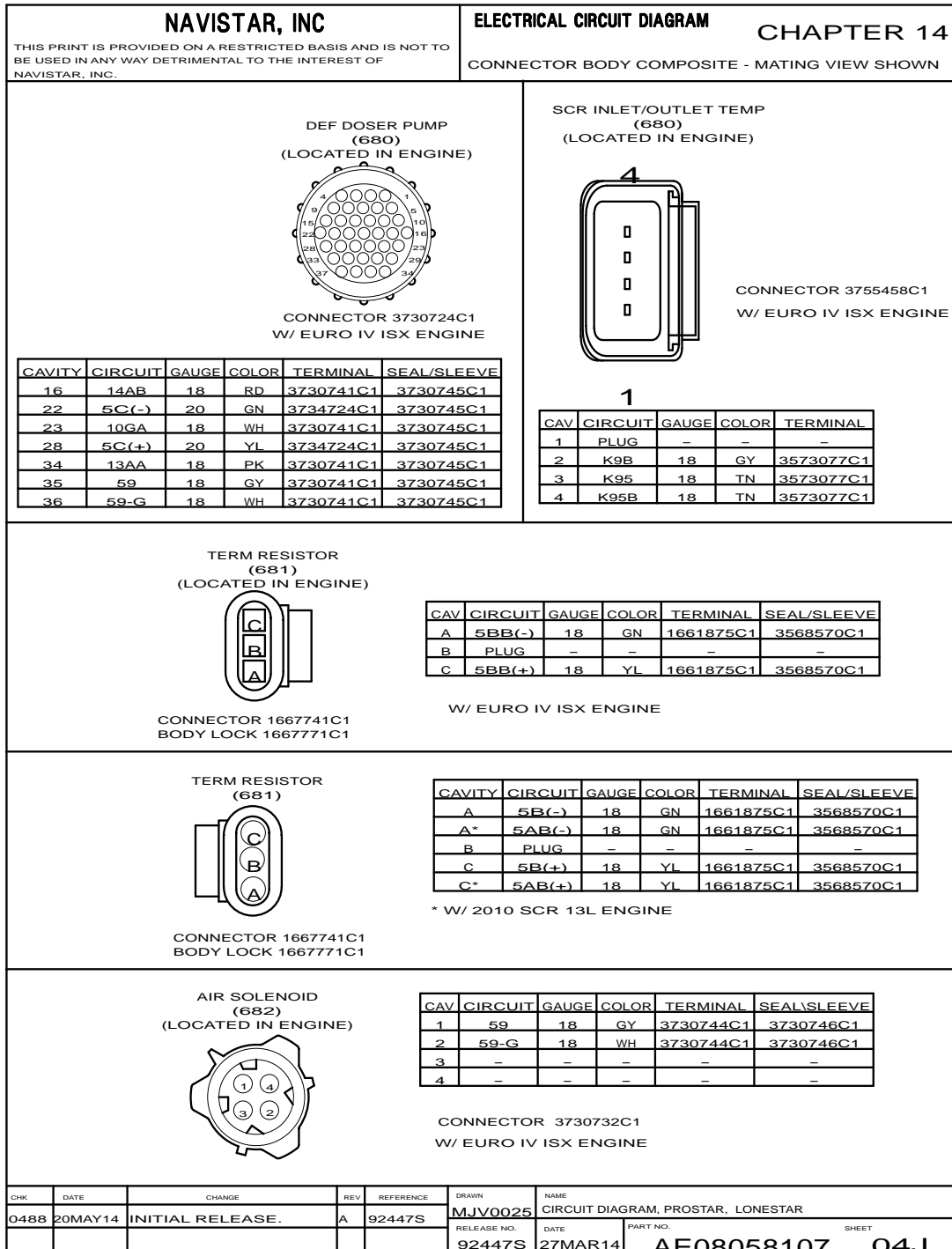


Figure 397 Connector Body Composite (680), (681), (682)

14.18. CONNECTOR BODY COMPOSITE (686), P. 4K

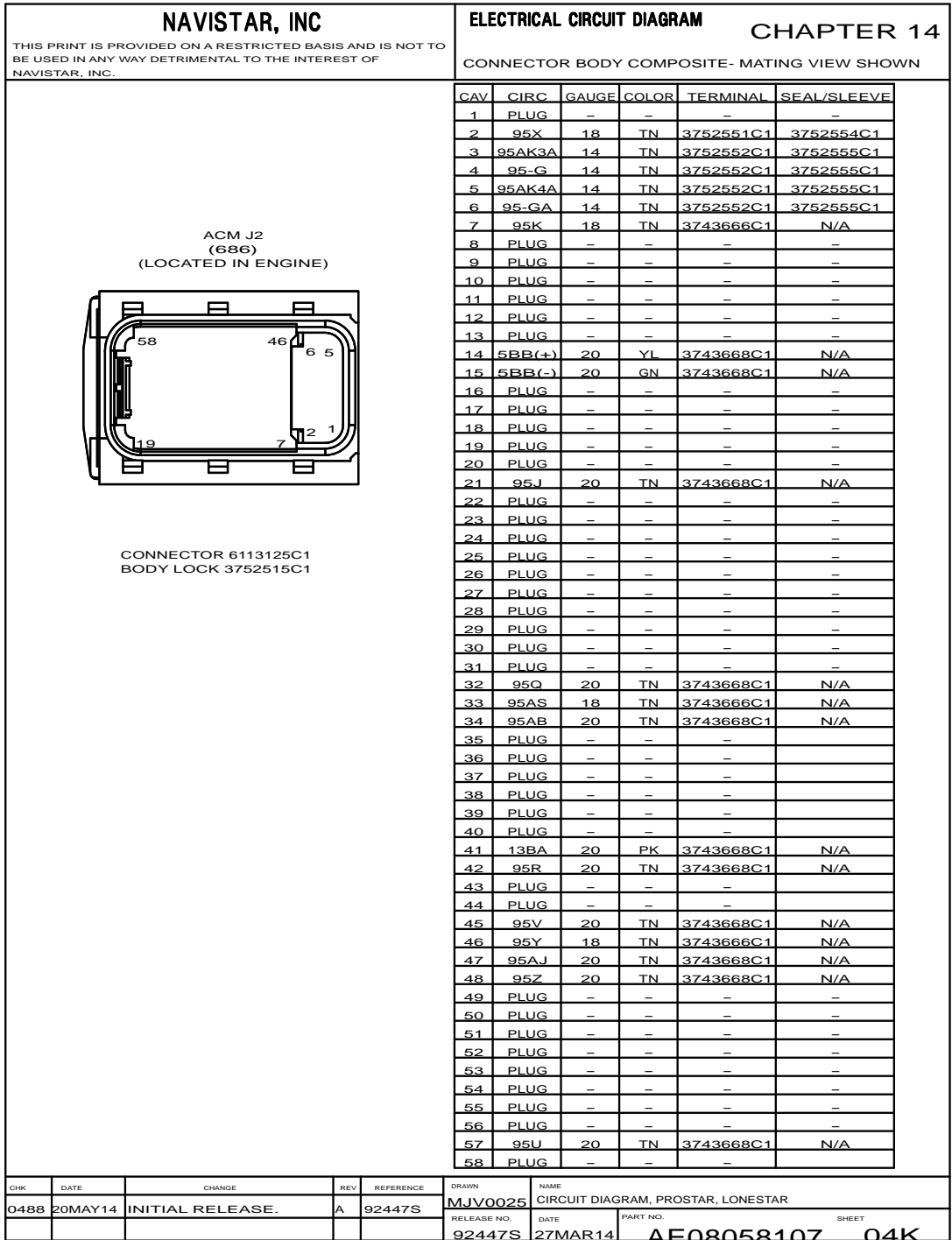


Figure 398 Connector Body Composite (686)

14.19. CONNECTOR BODY COMPOSITE (690), (691), (830M), P. 4L

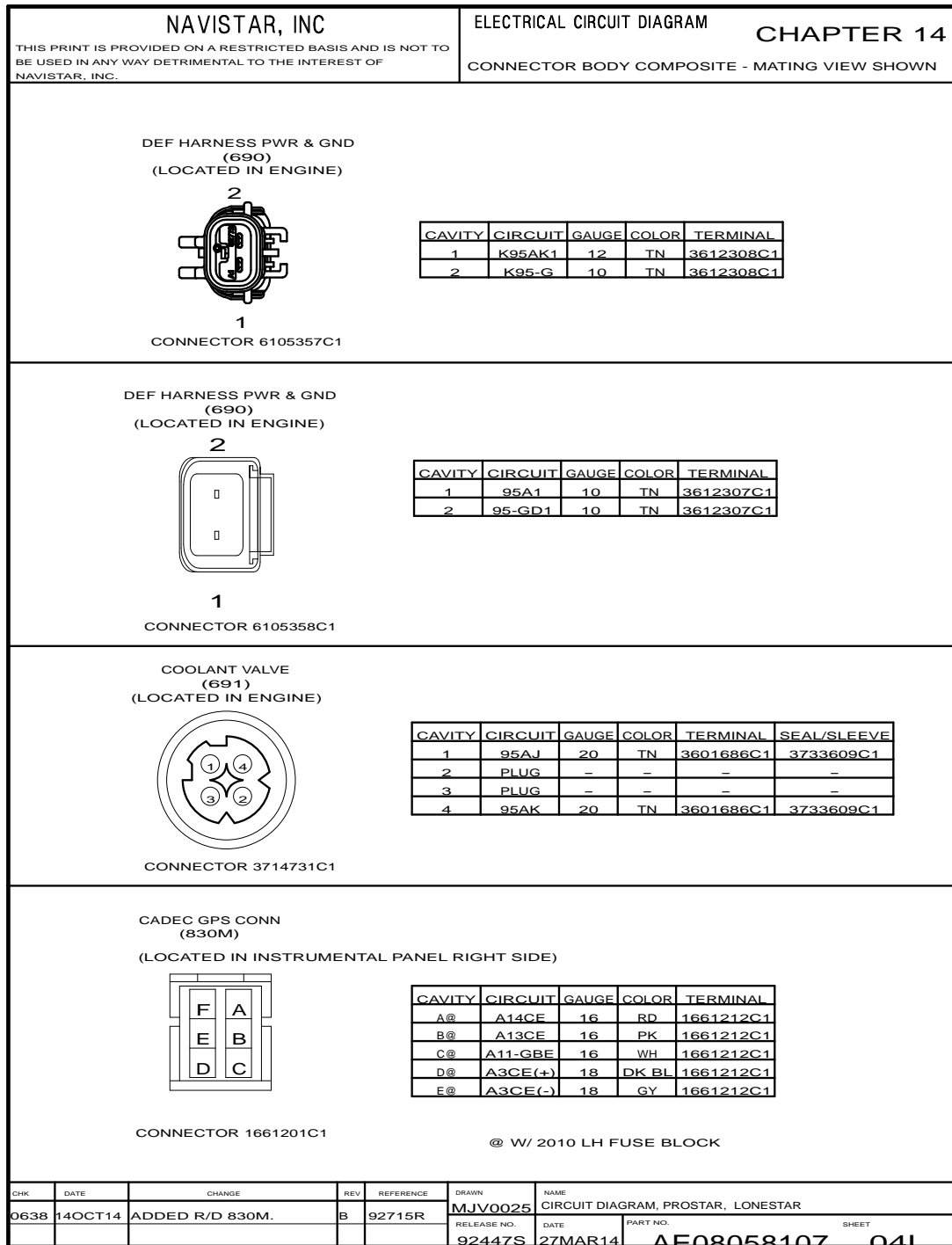


Figure 399 Connector Body Composite (690), (691), (830M)

14.20. CONNECTOR BODY COMPOSITE (1007), (1010), (1011), (1012), (1013), (1014), (1015), (1016), (1017), (1018), (1019), (1020), P. 5

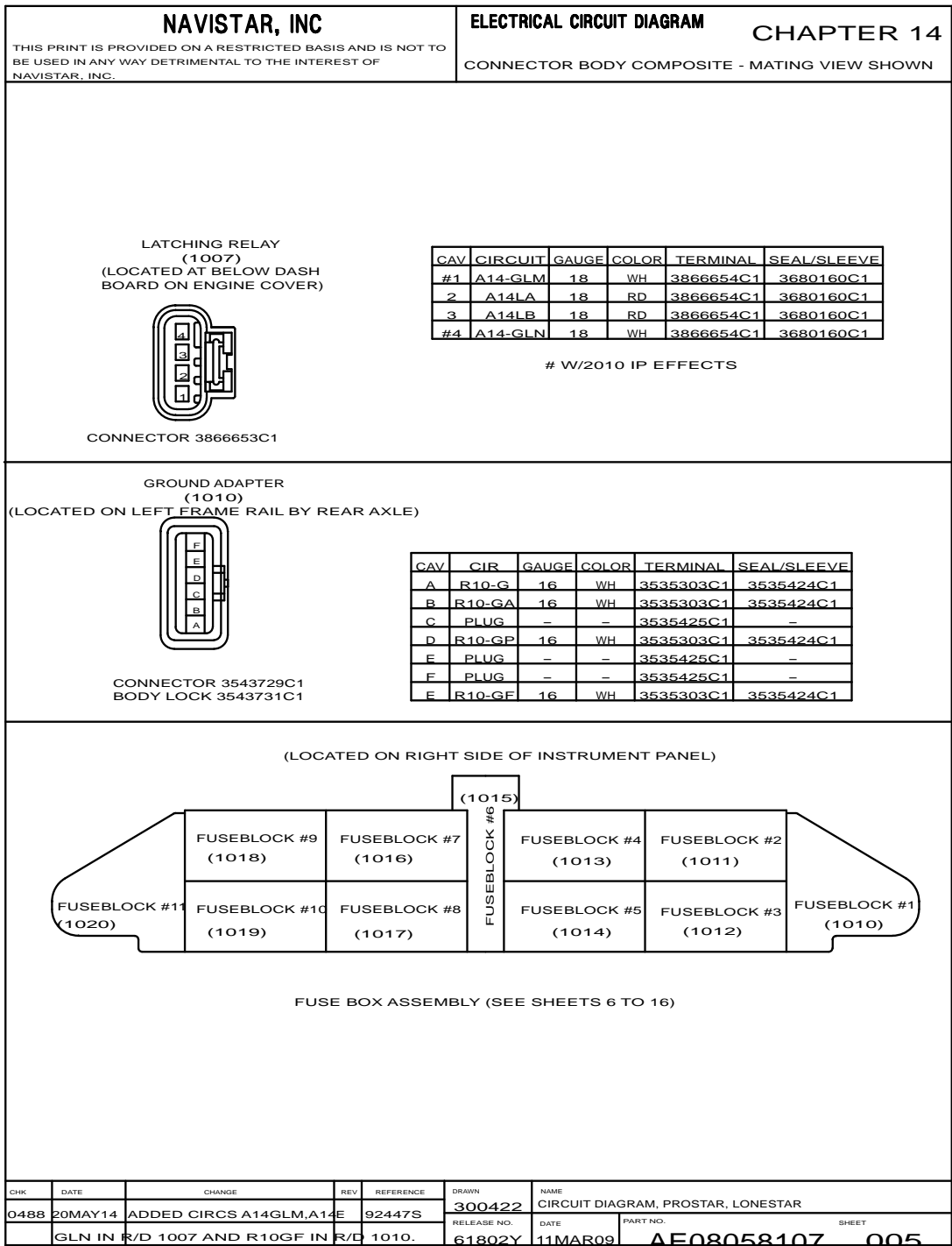


Figure 400 Connector Body Composite (1007), (1010), (1011), (1012), (1013), (1014), (1015), (1016), (1017), (1018), (1019), (1020)



14.21. CONNECTOR BODY COMPOSITE (1010), P. 6

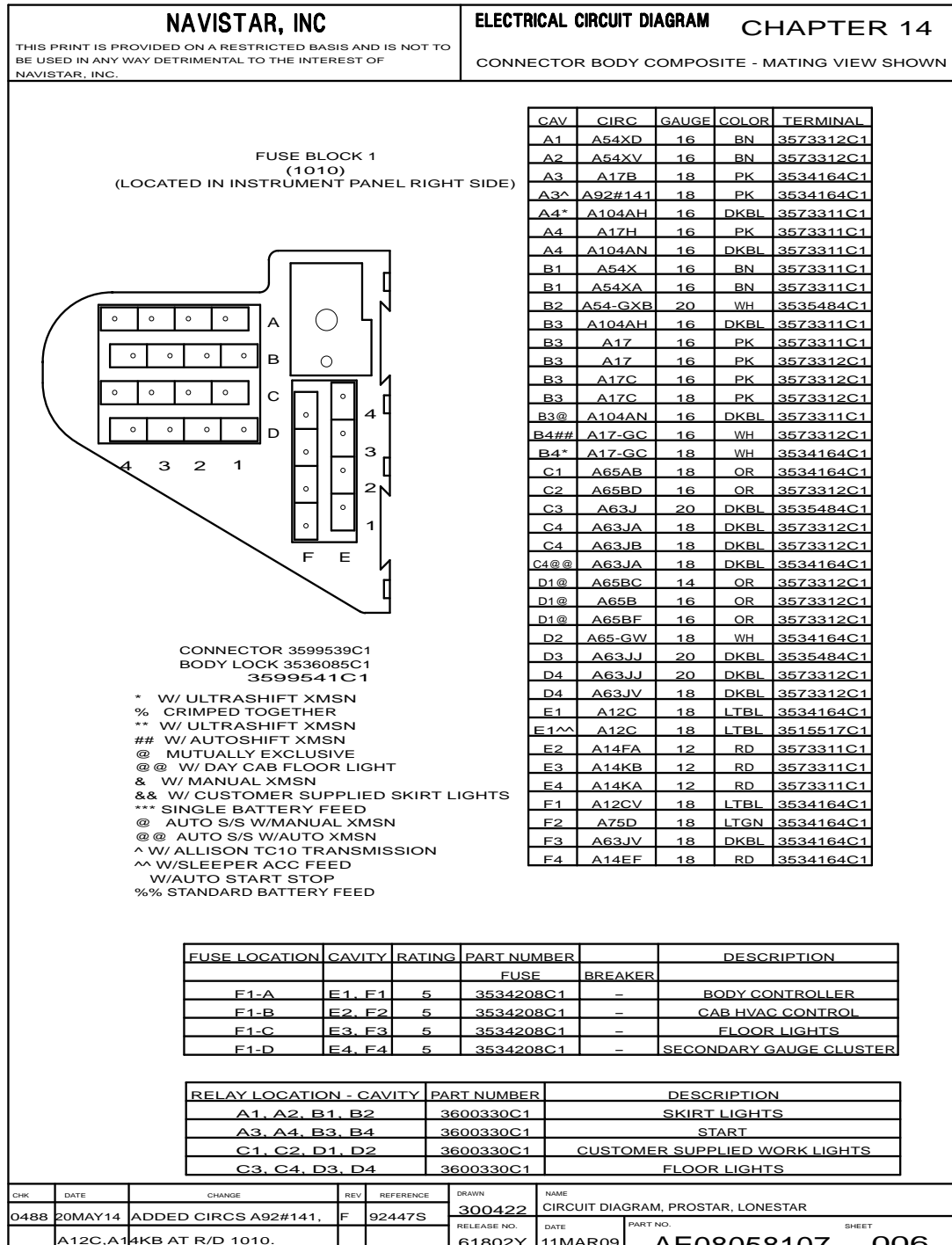


Figure 401 Connector Body Composite (1010)

14.22. CONNECTOR BODY COMPOSITE (1010), P. 6A

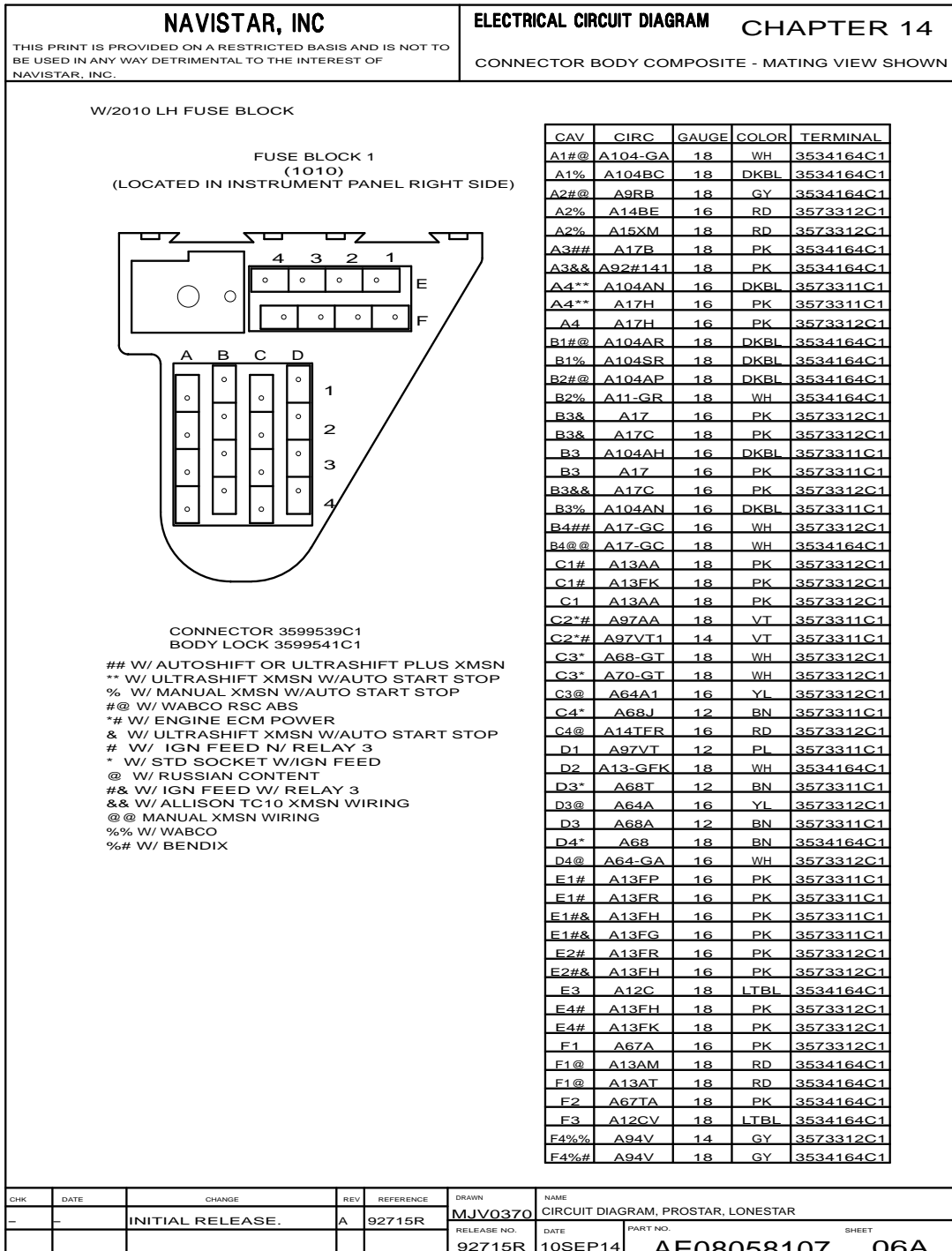


Figure 402 Connector Body Composite (1010)

14.23. CONNECTOR BODY COMPOSITE (1011), P. 7

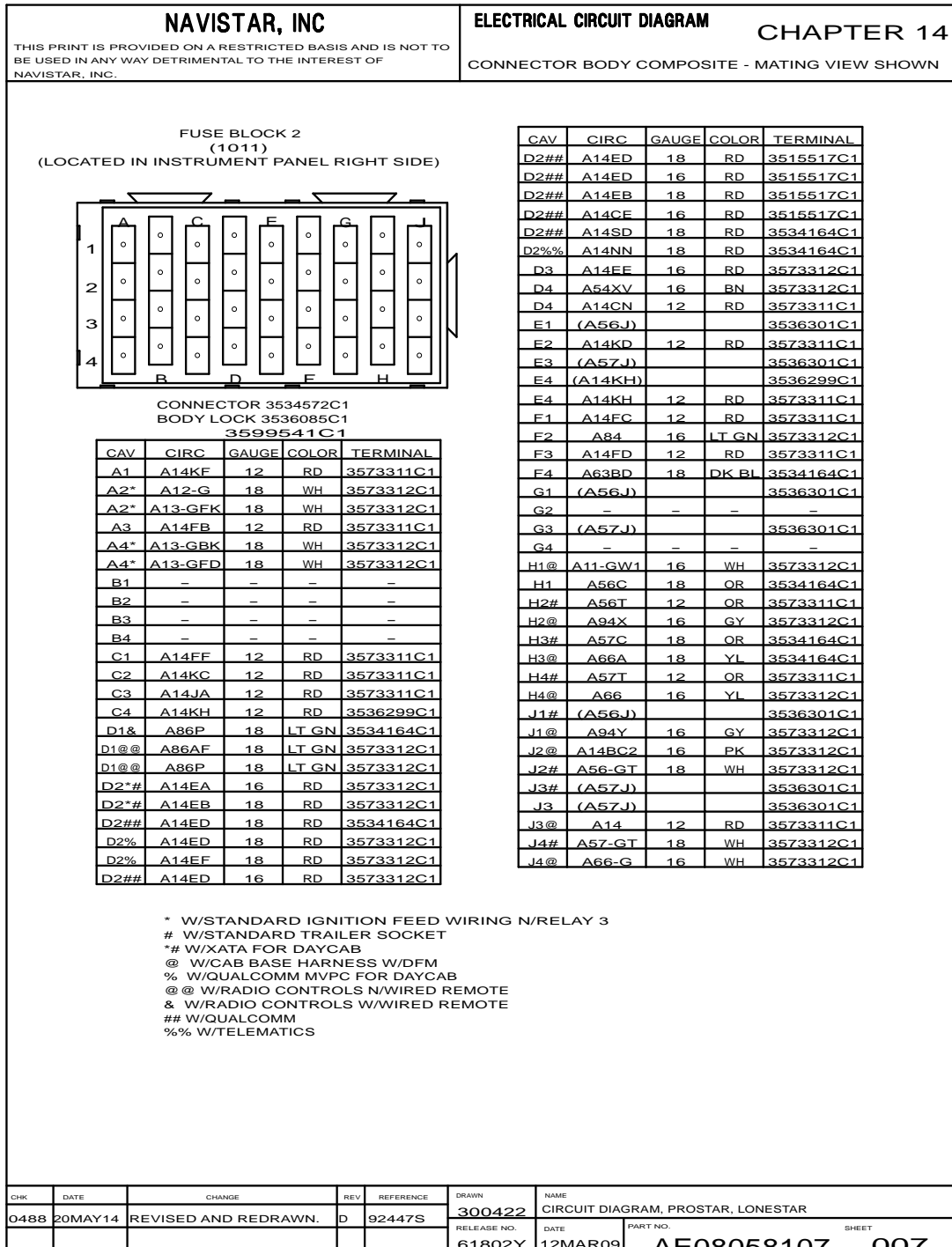


Figure 403 Connector Body Composite (1011)

14.24. CONNECTOR BODY COMPOSITE (1011), P. 7A

<b>NAVISTAR, INC</b> <small>THIS PRINT IS PROVIDED ON A RESTRICTED BASIS AND IS NOT TO BE USED IN ANY WAY DETRIMENTAL TO THE INTEREST OF NAVISTAR, INC.</small>				ELECTRICAL CIRCUIT DIAGRAM <b>CHAPTER 14</b> CONNECTOR BODY COMPOSITE - MATING VIEW SHOWN			
CONTINUED FROM SHEET 007.							
FUSE LOCATION	CAVITY	RATING	PART NUMBER		DESCRIPTION		
			FUSE	BREAKER			
F2-A	E1, F1	15	3534210C1	3536179C1	TRAILER LEFT TURN		
F2-B	E2, F2	15	3534210C1	3536179C1	CIGAR LIGHTER		
F2-C	E3, F3	15	3534210C1	3536179C1	TRAILER RIGHT TURN		
F2-D	E4, F4	10	3534209C1	3536178C1	CAB DOME / MAP LIGHTS		
F2-E	C1, D1	10	3534209C1	3536178C1	ENTERTAINMENT RADIO MEMORY		
F2-F	C2, D2	10	3534209C1	3536178C1	SATELLITE COMMUNICATION		
F2-G	C3, D3	15	3534210C1	3536179C1	INSTRUMENT CLUSTER		
F2-H	C4, D4	10	3534209C1	3536178C1	SKIRT LIGHT		
RELAY LOCATION - CAVITY		PART NUMBER		DESCRIPTION			
A1, A2		3600329C1		ACCESSORY *			
A3, A4		3600329C1		IGNITION RELAY # 1 *			
H1, H2, J1, J2		3600330C1		TRAILER LEFT TURN			
H3, H4, J3, J4		3600330C1		TRAILER RIGHT TURN			
* ALSO SEE CONNECTOR 1013							
CHK	DATE	CHANGE	REV	REFERENCE	DRAWN	NAME	
0610	12NOV13	INITIAL RELEASE.	A	90656P	MJV0370	CIRCUIT DIAGRAM, PROSTAR, LONESTAR	
					RELEASE NO.	DATE	
					90656P	24MAY13	
					PART NO.	SHEET	
					AE08058107	07A	

Figure 404 Connector Body Composite (1011)

14.25. CONNECTOR BODY COMPOSITE (1011), P. 7B

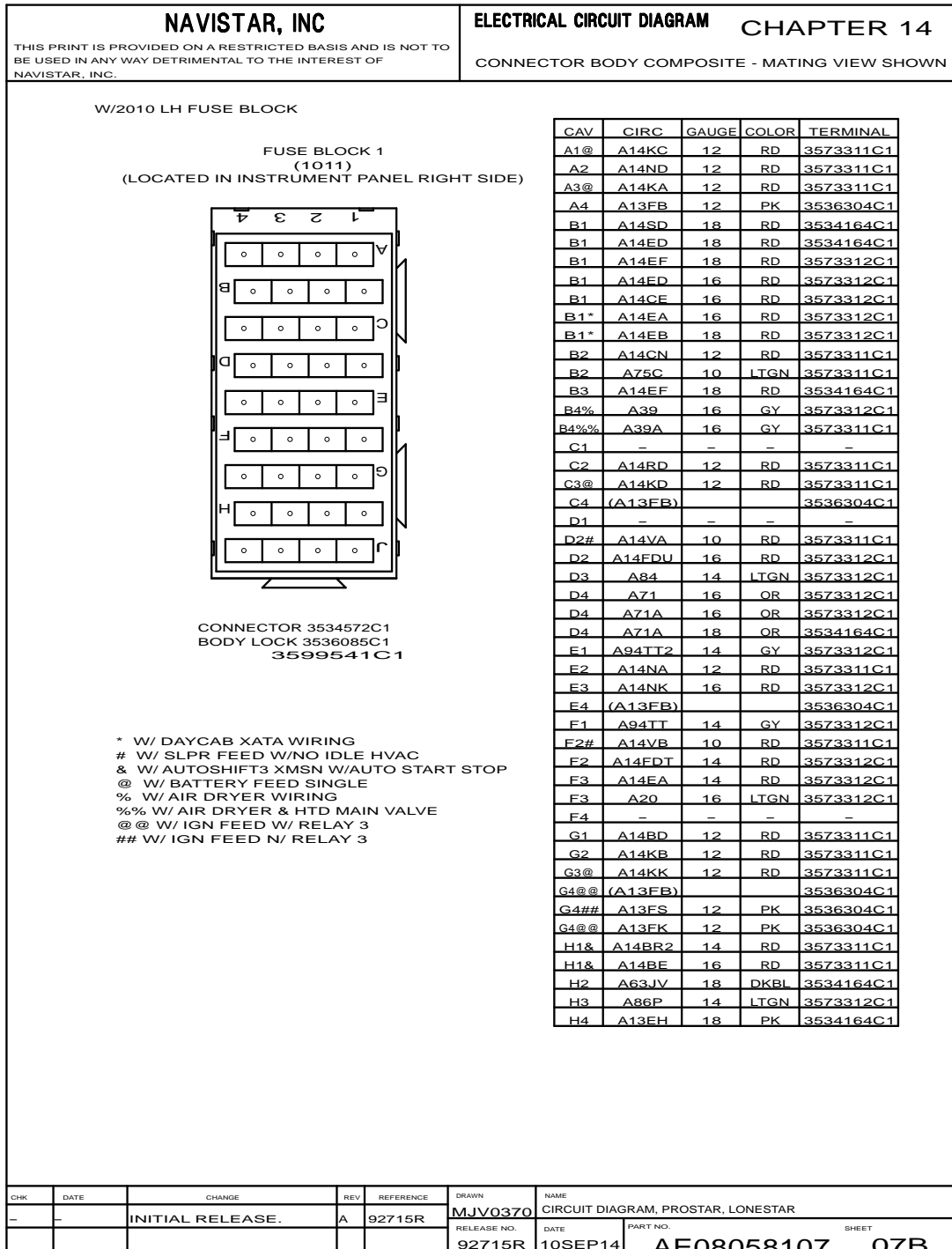


Figure 405 Connector Body Composite (1011)

14.26. CONNECTOR BODY COMPOSITE (1012), P. 8

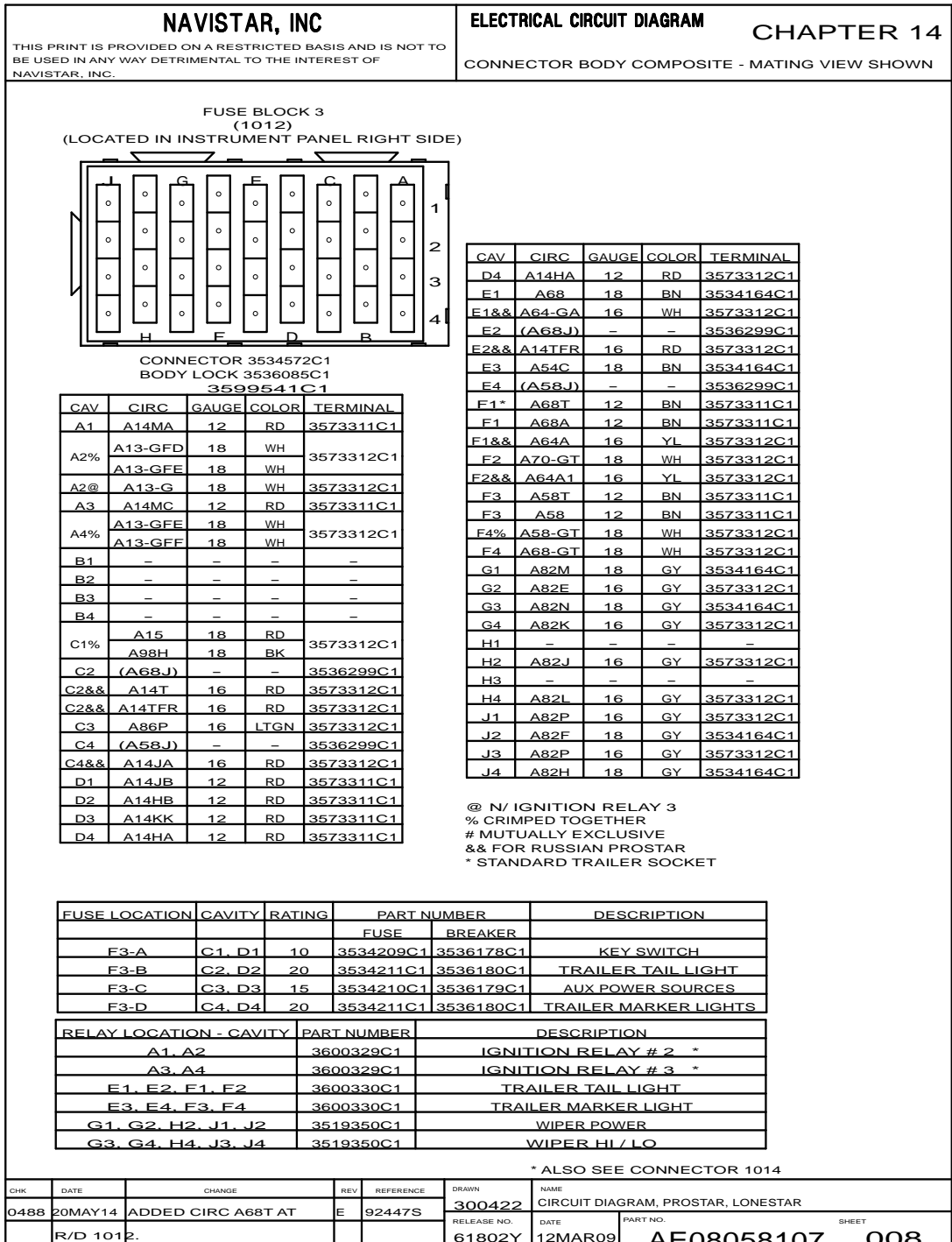


Figure 406 Connector Body Composite (1012)

14.27. CONNECTOR BODY COMPOSITE (1012), P. 8A

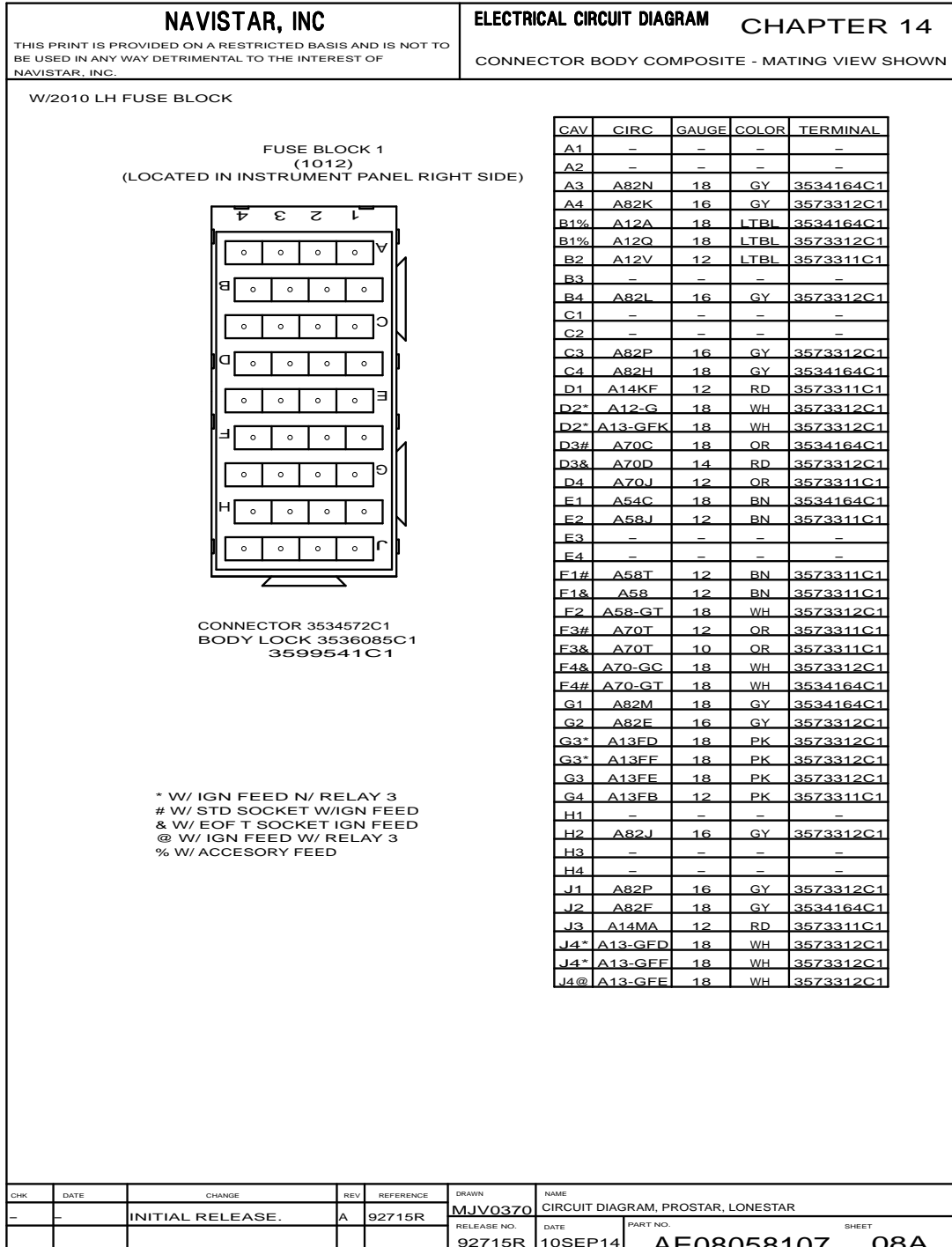


Figure 407 Connector Body Composite (1012)

14.28. CONNECTOR BODY COMPOSITE (1013), P. 9

<b>NAVISTAR, INC</b> <small>THIS PRINT IS PROVIDED ON A RESTRICTED BASIS AND IS NOT TO BE USED IN ANY WAY DETRIMENTAL TO THE INTEREST OF NAVISTAR, INC.</small>	<b>ELECTRICAL CIRCUIT DIAGRAM</b> <b>CHAPTER 14</b> CONNECTOR BODY COMPOSITE - MATING VIEW SHOWN
--	--

FUSE BLOCK 4  
(1013)  
(LOCATED IN INSTRUMENT PANEL RIGHT SIDE)

CONNECTOR 3534572C1  
BODY LOCK 3536085C1

CAV	CIR	GAUGE	COLOR	TERMINAL
A1	A12V	12	LT BL	3536304C1
A2	A12V	12	LT BL	3536306C1
A3	A13FC	12	PK	3536304C1
A4	A13FC	12	PK	3536306C1
B1	A12A	18	LT BL	3515517C1
B1	A12C	18	LT BL	3534164C1
B1	A12C	18	LT BL	3573312C1
B1	A22E	18	TN	3573312C1
B1	A12B	20	LT BL	3535484C1
B2	A12F	18	LT BL	3534164C1
B3	A73A	18	LT GN	3573312C1
B3	A13EA	18	PK	3573312C1
B4	A13	18	PK	3515517C1
C1	(A12V)			3536304C1
C2	(A12V)			3536306C1
C3	(A13FC)			3536304C1
C4	(A13FC)			3536306C1
D1	A12U	16	LT BL	3573312C1
D2^	A86R	18	LT GN	3573312C1
D2^	A86F	18	LT GN	3573312C1
D3	A13B	18	PK	3534164C1
D4	A13TRIB	16	PK	3573312C1
D4	A104AK	16	DK BL	3573312C1
E1	(A12V)			3536304C1
E2	(A12V)			3536306C1

CAV	CIR	GAUGE	COLOR	TERMINAL
E3	(A13FC)			3536304C1
E4	(A13FC)			3536306C1
F1	-	-	-	-
F2	-	-	-	-
F3	A13TRL	18	PK	3534164C1
F4	-	-	-	-
G1	(A12V)			3536304C1
G2	(A12V)			3536306C1
G3	(A13FC)			3536304C1
G4	(A13FC)			3536306C1
H1	A12BB	18	LT BL	3534164C1
H1%	A72B	16	OR	3573311C1
H1%	A94AM	14	GY	3573311C1
H1	A72F	16	OR	3573312C1
H2	A78V	18	LT GN	3534164C1
H3	A92U	16	TN	3573312C1
H3	A92U	18	TN	3534164C1
H3*	A92#163	16	PK	3573312C1
H3*	A92A163	18	PK	3573312C1
H3@	A13A	16	PK	3573312C1
H3@	A92UA	18	TN	3573312C1
H4	A97FA	16	PL	3573312C1
H4	A97F	16	PL	3573312C1
J1	A12A	18	LT BL	3534164C1
J1	A12A	18	LT BL	3515517C1
J1@@	A12A	18	LT BL	3536295C1
J1@@	A12Q	18	LT BL	3536295C1
J2	(A12V)			3536306C1
J3	A13X	18	PK	3573312C1
J3#	A13F	18	PK	3573312C1
J3#	A13FD	18	PK	3573312C1
J3	A13FL	16	PK	3573312C1
J3	A13FL	18	PK	3573312C1
J4	(A13FC)			3536306C1

\* W/ TIRE PRESSURE DISPLAY  
 @ W/ ULTRA SHIFT XMSN  
 # W/ REMOTE START / STOP  
 @@ SLEEPER ACC FEED W/AUTO START STOP  
 % CRIMPED TOGETHER  
 ^ W/ ALLISON TC10 TRANSMISSION

FUSE LOCATION	CAVITY	RATING	PART NUMBER		DESCRIPTION
			FUSE	BREAKER	
F4-A	G1, H1	-	-	-	OPEN / ISO TRAILER SOCKET
F4-B	G2, H2	10	3534209C1	3536178C1	POWER MIRROR
F4-C	G3, H3	10	3534209C1	3536178C1	TRANSMISSION - SEE NOTE 1
F4-D	G4, H4	10	3534209C1	3536178C1	ENGINE ECU - N/ ICON
F4-E	C1, D1	10	3534209C1	3536178C1	VEHICLE SENSOR MODULE
F4-F	C2, D2	10	3534209C1	3536178C1	CB RADIO / ENTERTAINMENT RADIO
F4-G	C3, D3	10	3534209C1	3536178C1	OPTIONAL WARNING LIGHTS
F4-H	C4, D4	10	3534209C1	3536178C1	REMOTE START / STOP / TRI-PAC
F4-J	A1, B1	5/10	3534208C1/	3536178C1	SECONDARY DISPLAY/TIRE PRESSURE/GPS
			3534209C1		
F4-K	A2, B2	10	3534209C1	3536178C1	SWITCH PACK
F4-L	A3, B3	10	3534209C1	3536178C1	CLUSTER / CAB HVAC CONTROLLER N/ ICON
F4-M	A4, B4	10	3534209C1	3536178C1	BODY CONTROLLER / CAB HVAC / LPM / N/ ICON

RELAY LOCATION - CAVITY	PART NUMBER	DESCRIPTION
J1, J2	3600329C1	* ACCESSORY RELAY
J3, J4	3600329C1	* IGNITION RELAY # 1

\* ALSO SEE CONNECTOR 1011  
NOTE 1: W/ EATON AUTOSHIFT, ULTRASHIFT XMSN & MERITOR FREEDOMLINE XMSN, TC10 XMSN

CHK	DATE	CHANGE	REV	REFERENCE	DRAWN	NAME
0488	19MAY14	REVISED AND REDRAWN.	E	92447S	300422	CIRCUIT DIAGRAM, PROSTAR, LONESTAR
					RELEASE NO.	DATE
					61802Y	11MAR09
					PART NO.	SHEET
					AE08058107	009

Figure 408 Connector Body Composite (1013)



14.29. CONNECTOR BODY COMPOSITE (1013), P. 9A

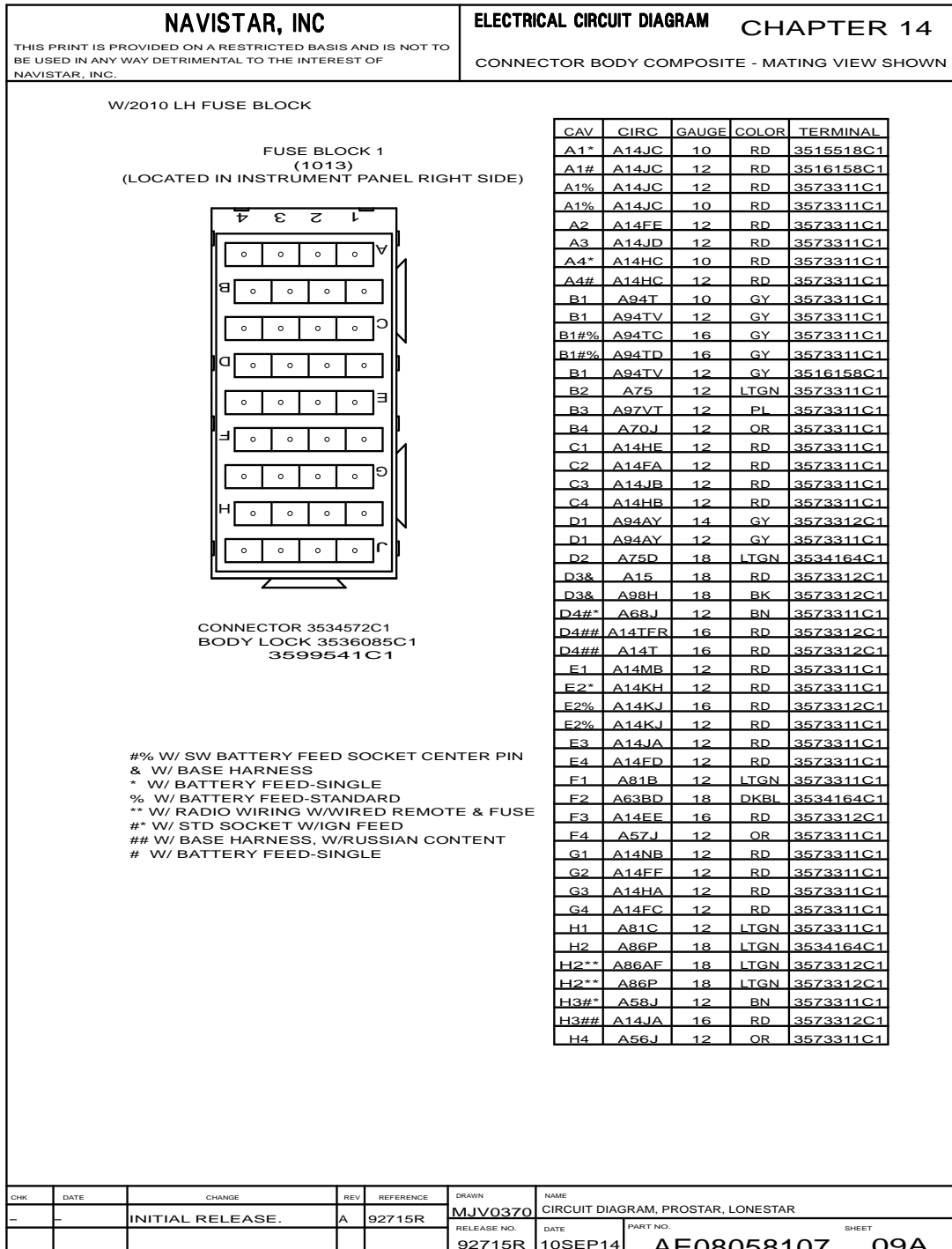


Figure 409 Connector Body Composite (1013)

14.30. CONNECTOR BODY COMPOSITE (1014), P. 10

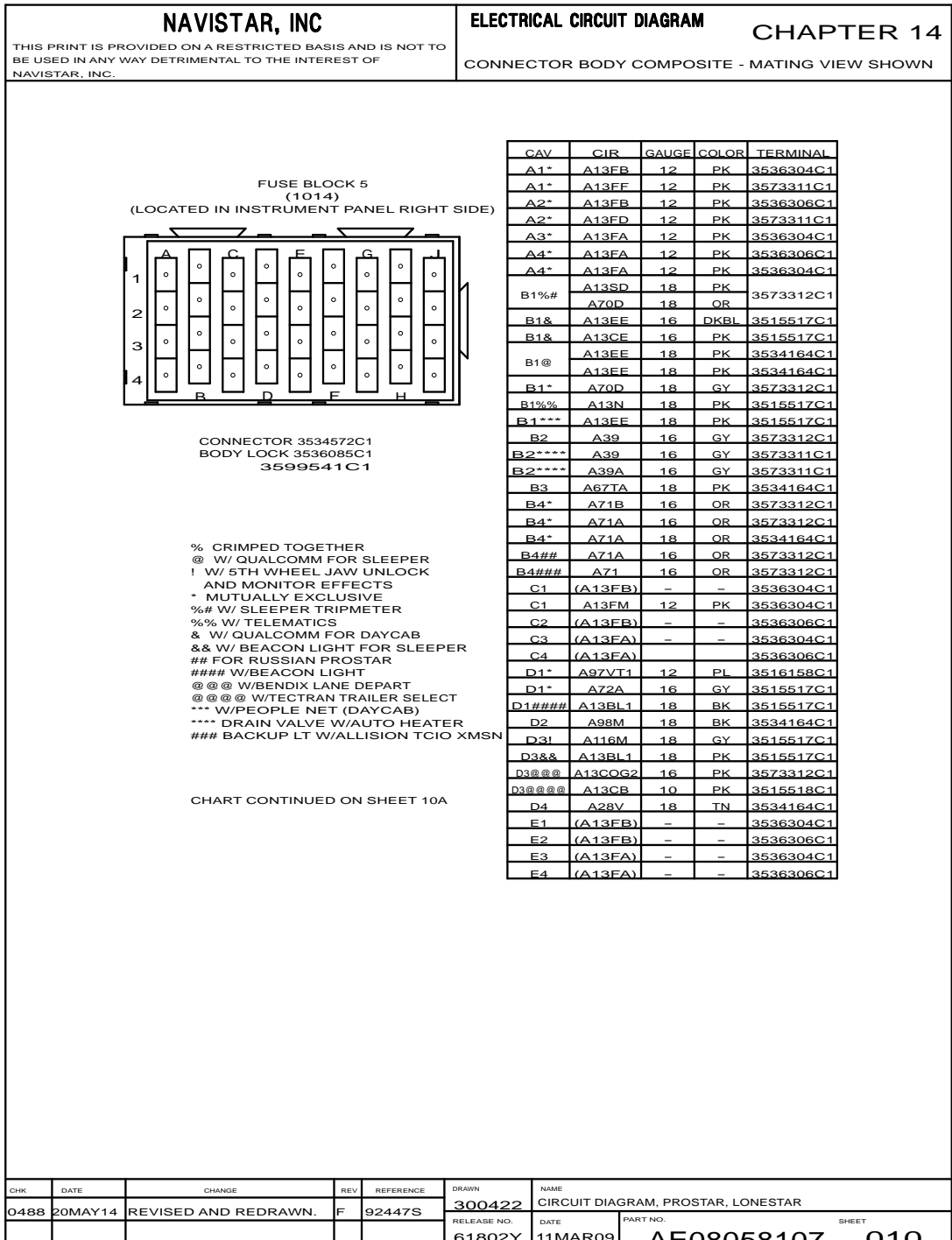


Figure 410 Connector Body Composite (1014)

14.31. CONNECTOR BODY COMPOSITE (1014), P. 10A

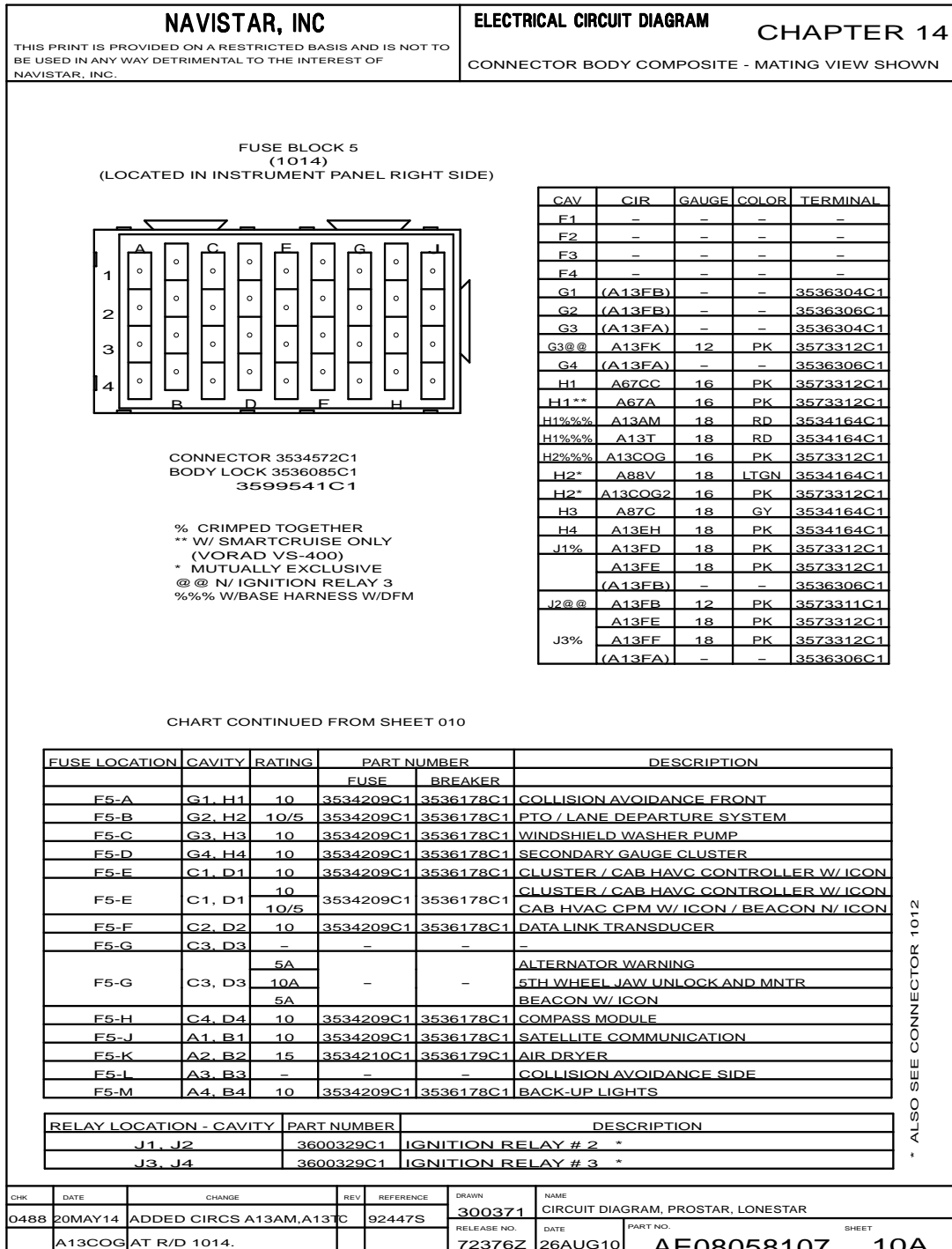


Figure 411 Connector Body Composite (1014)

14.32. CONNECTOR BODY COMPOSITE (1014), P. 10B

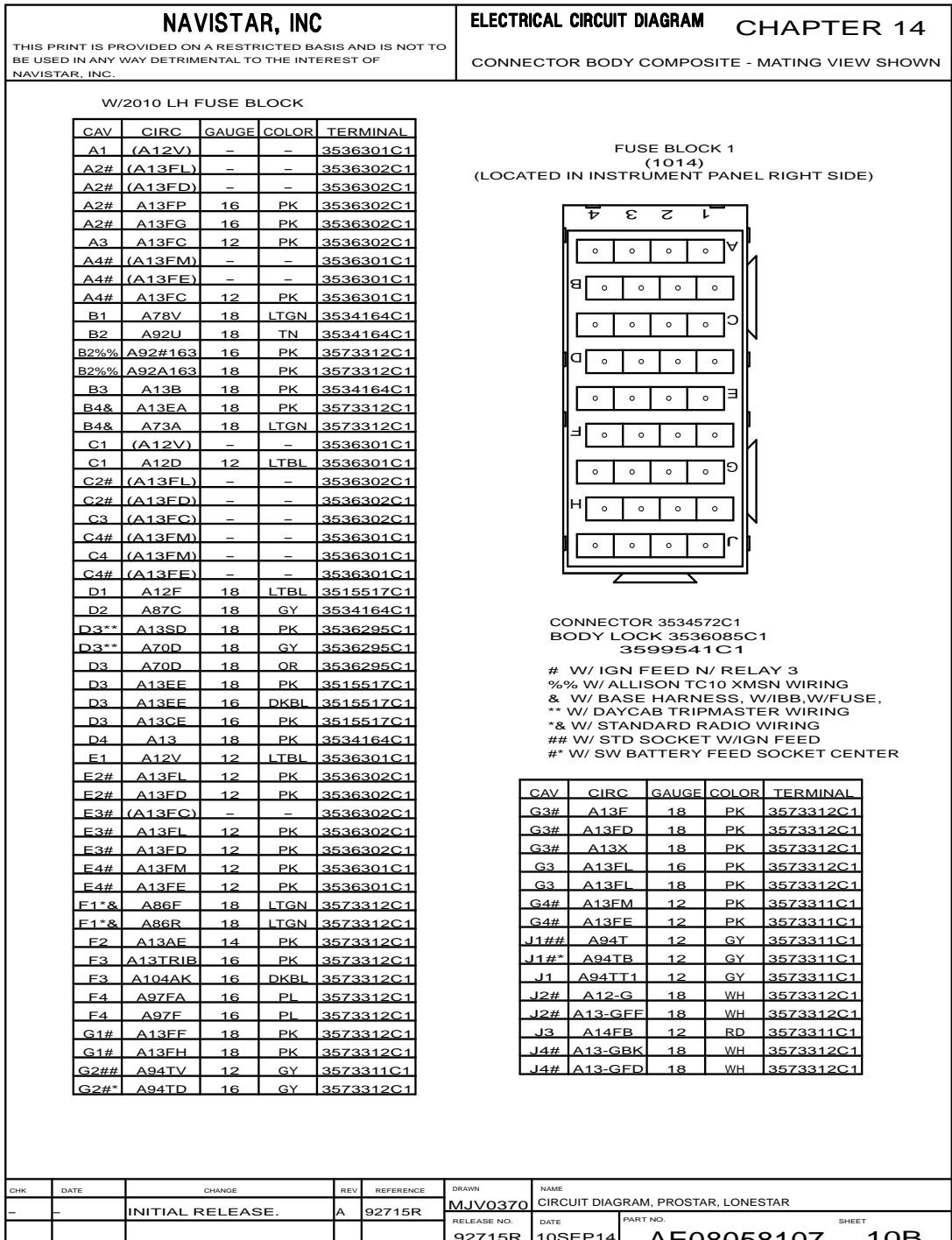


Figure 412 Connector Body Composite (1014)

14.33. CONNECTOR BODY COMPOSITE (1015), P. 11

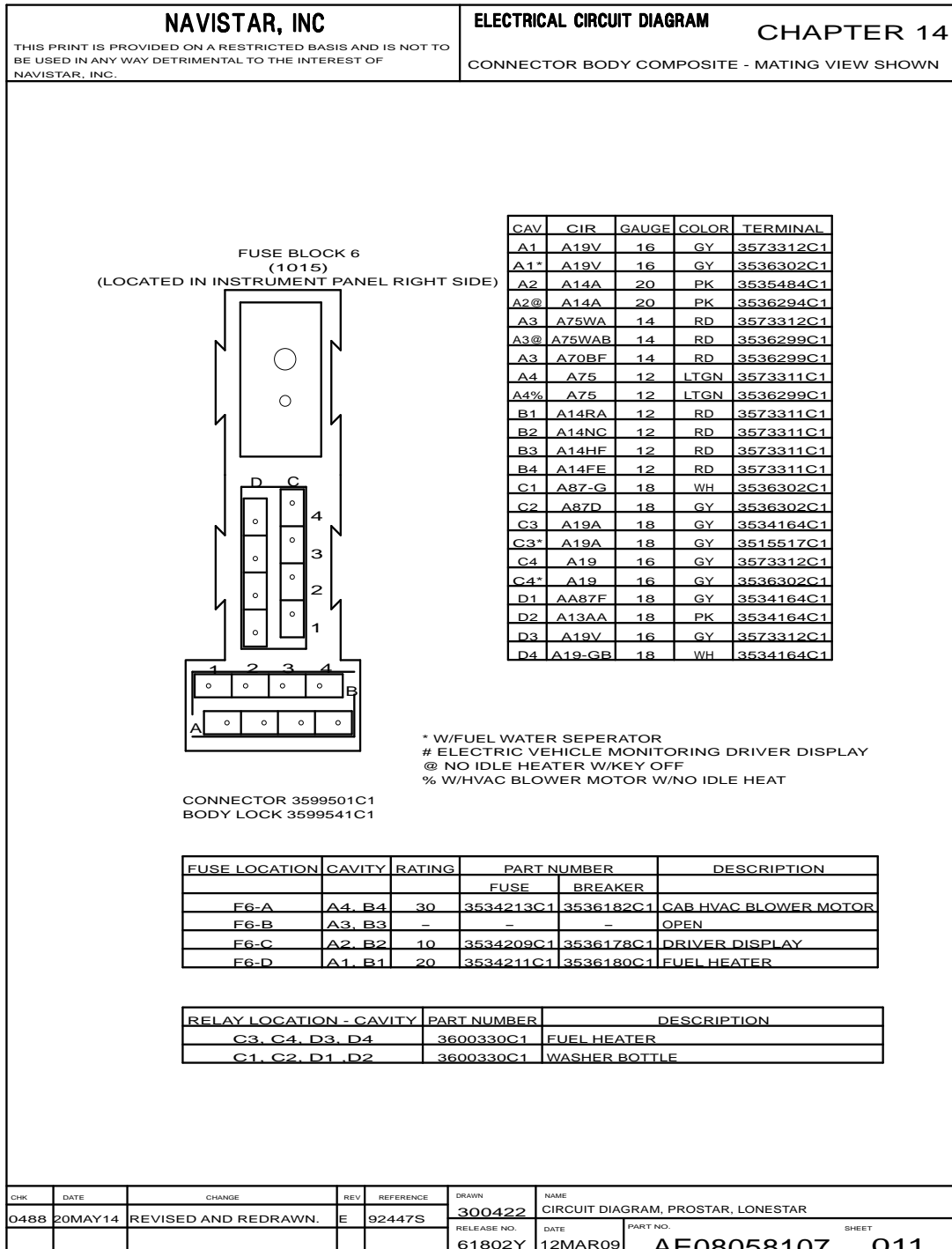


Figure 413 Connector Body Composite (1015)

14.34. CONNECTOR BODY COMPOSITE (1015), P. 11A

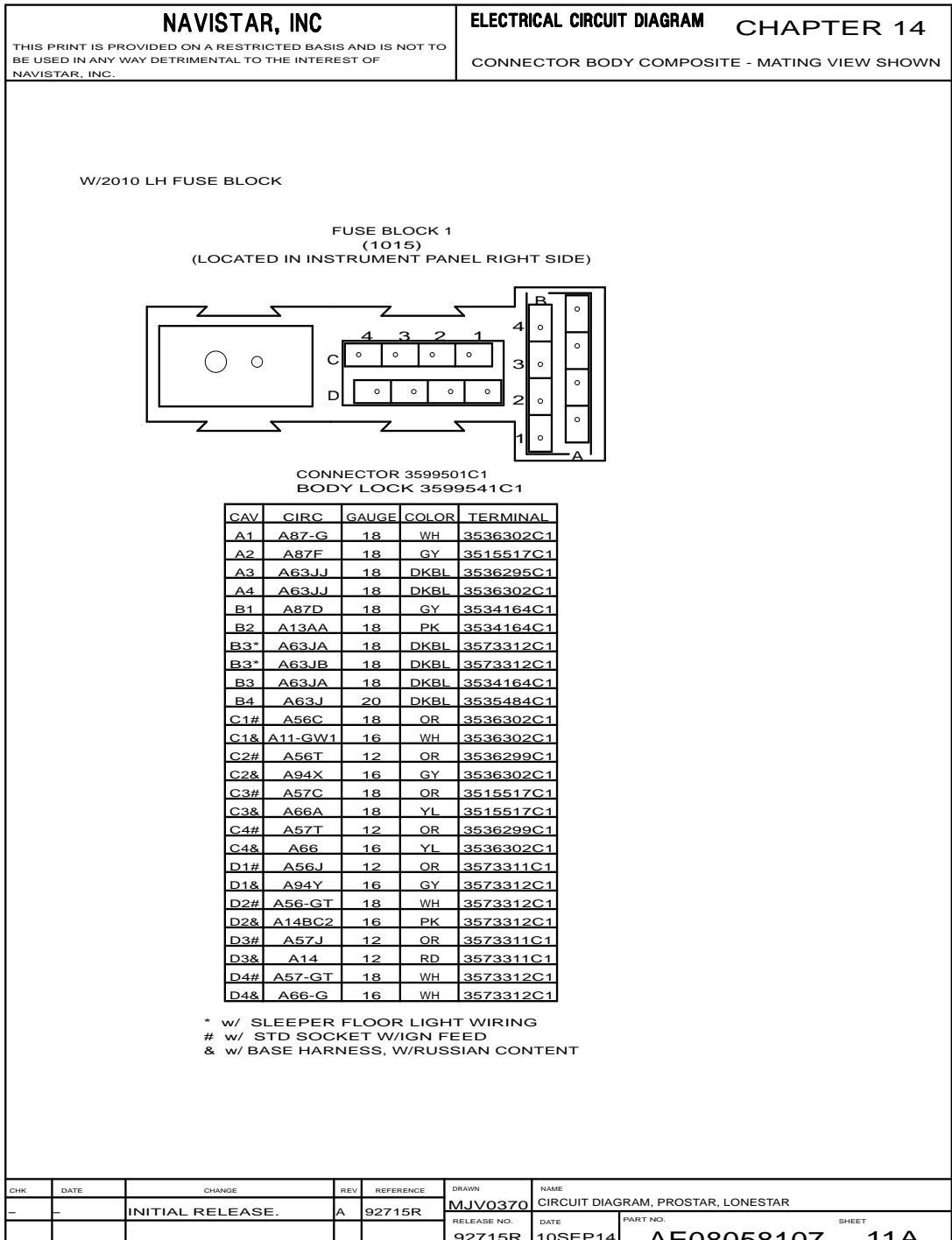


Figure 414 Connector Body Composite (1015)

14.35. CONNECTOR BODY COMPOSITE (1016), P. 12

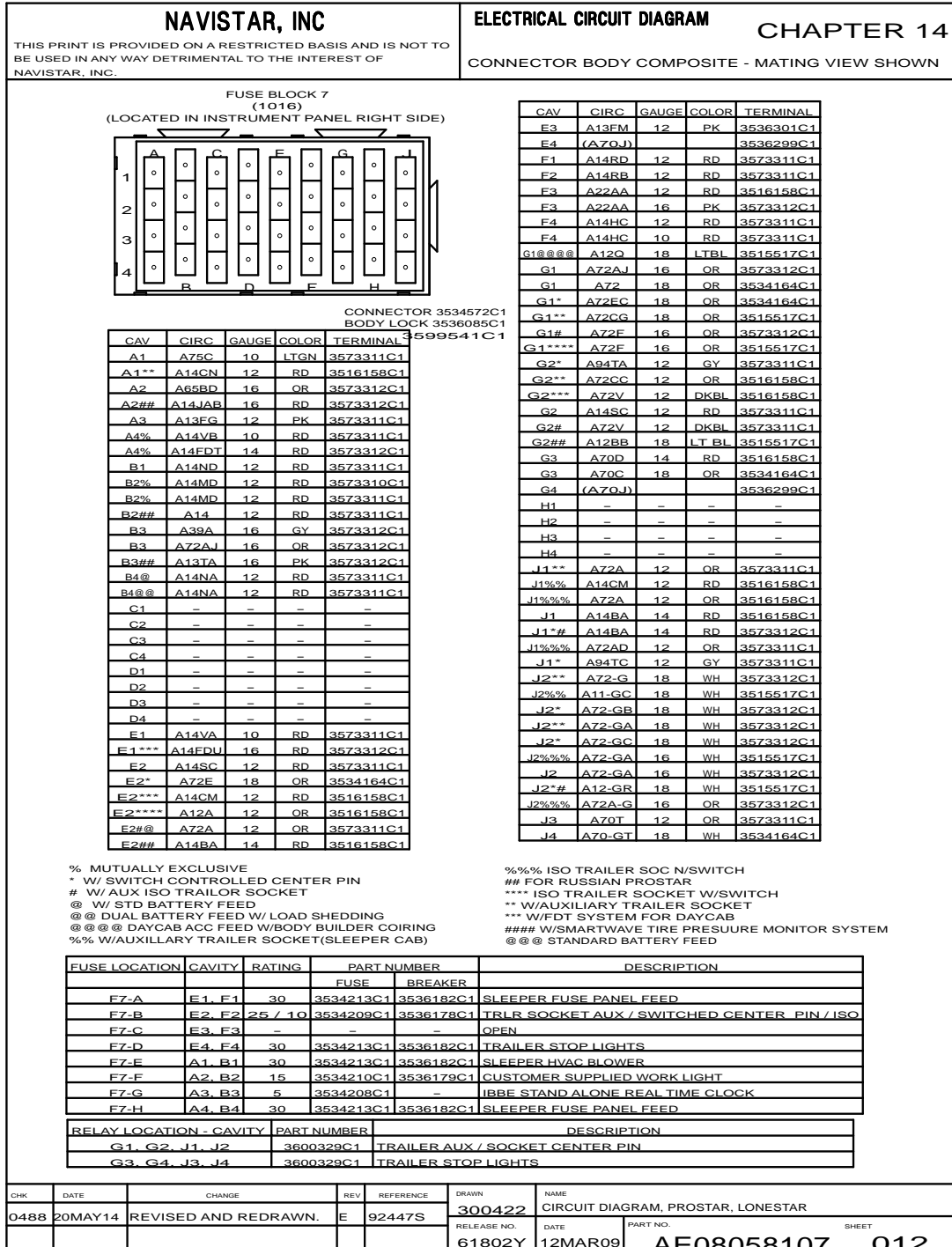


Figure 415 Connector Body Composite (1016)

14.36. CONNECTOR BODY COMPOSITE (1016), P. 12A

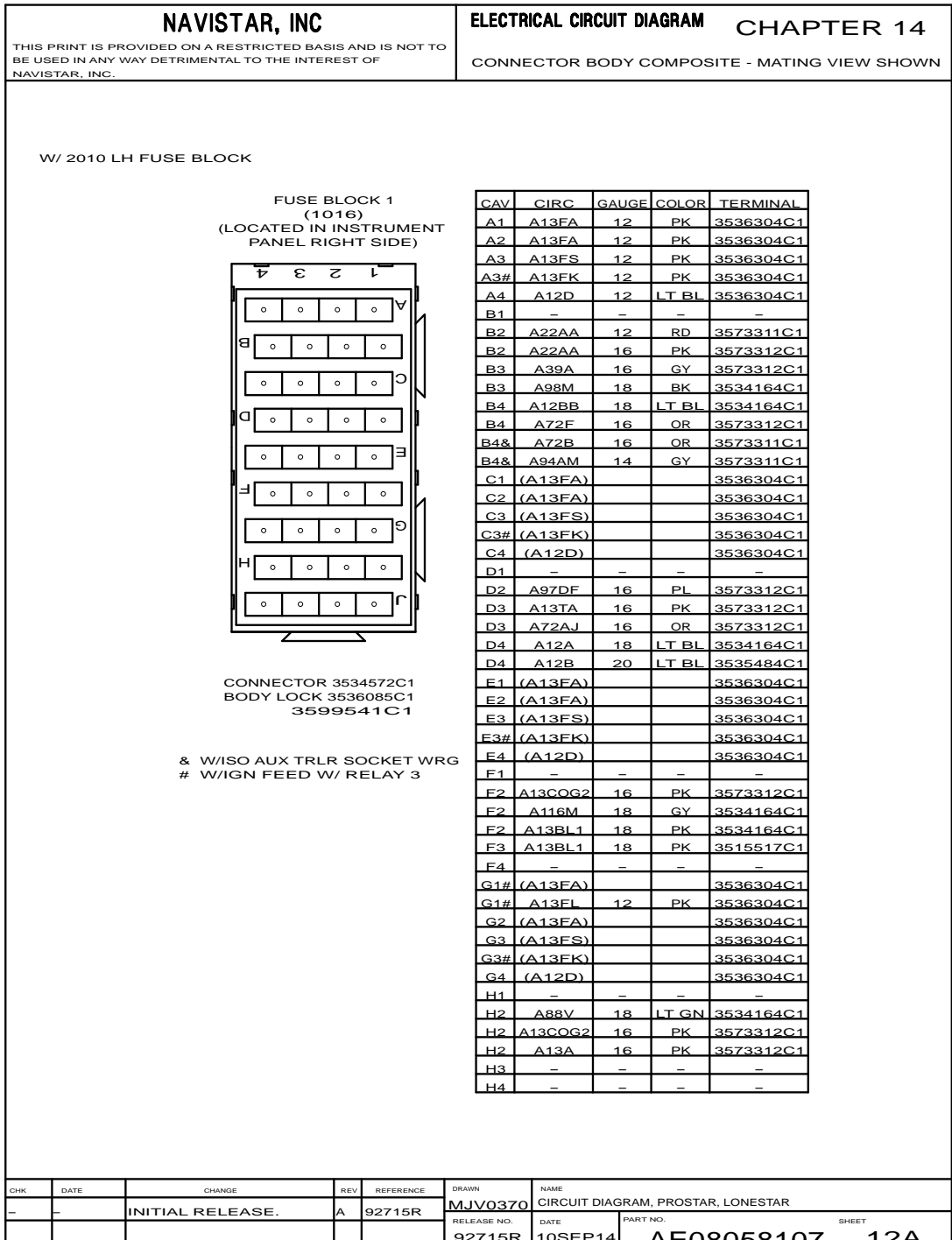


Figure 416 Connector Body Composite (1016)



14.37. CONNECTOR BODY COMPOSITE (1017), P. 13

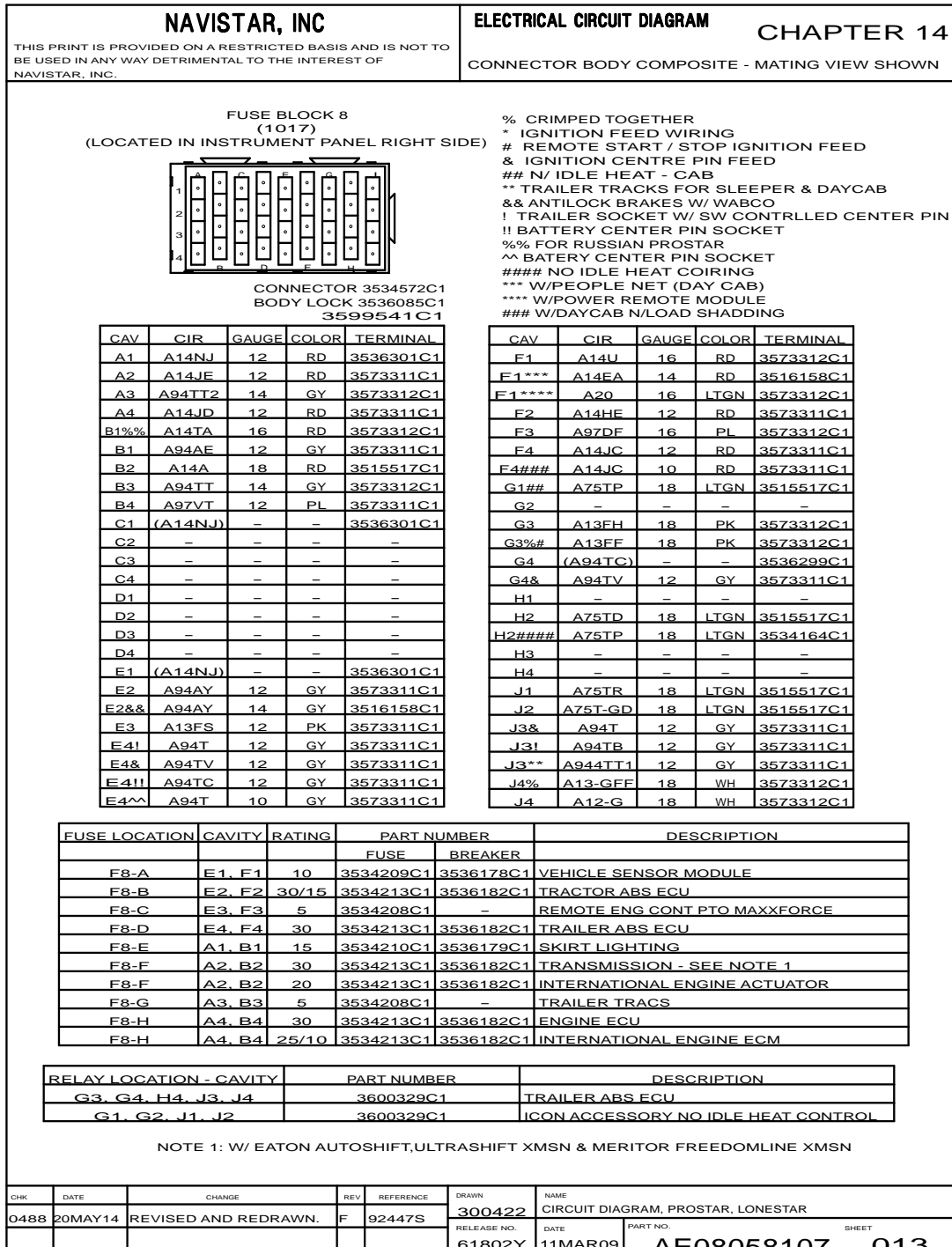


Figure 417 Connector Body Composite (1017)

14.38. CONNECTOR BODY COMPOSITE (1017), P. 13A

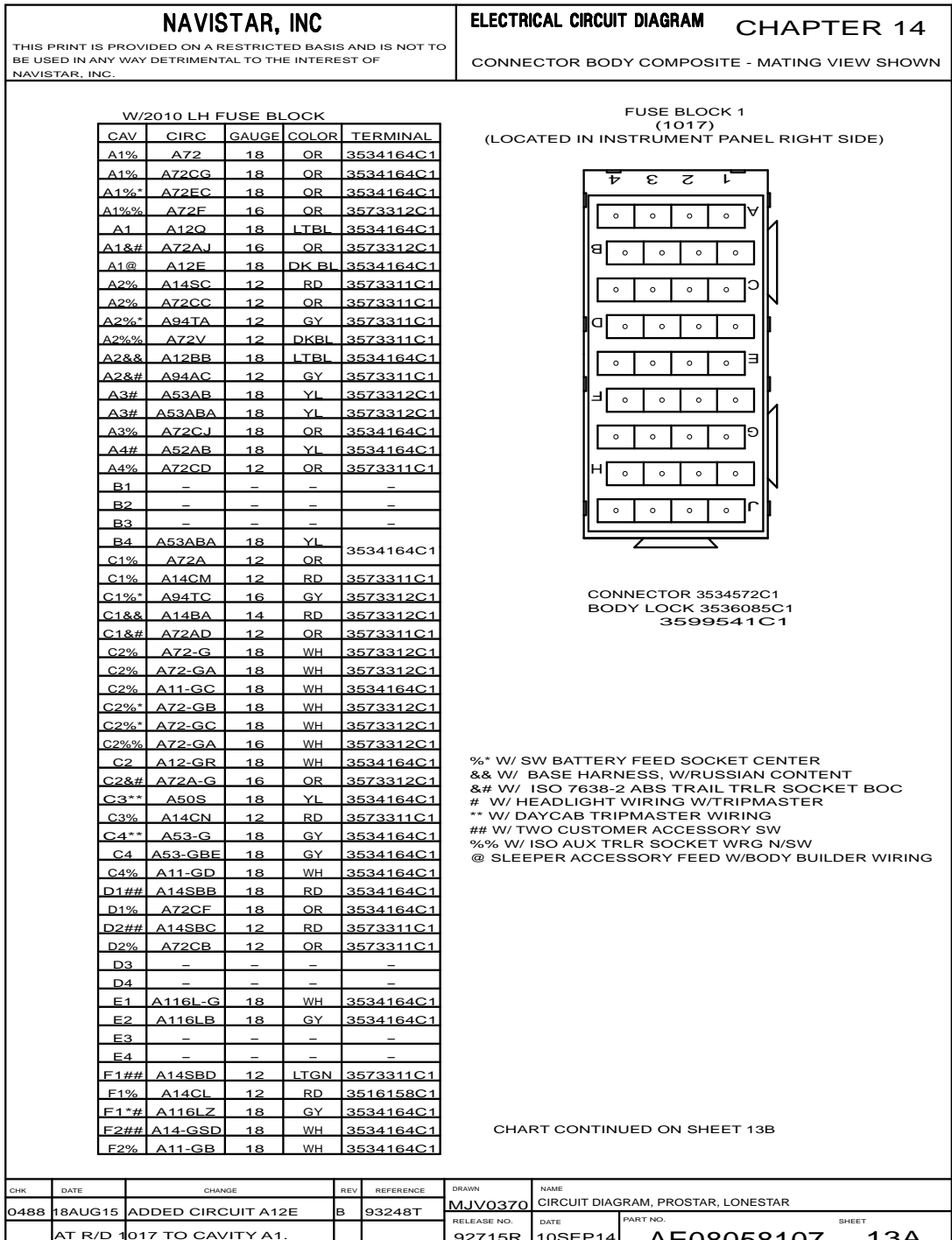


Figure 418 Connector Body Composite (1017)

14.39. CONNECTOR BODY COMPOSITE (1017), P. 13B

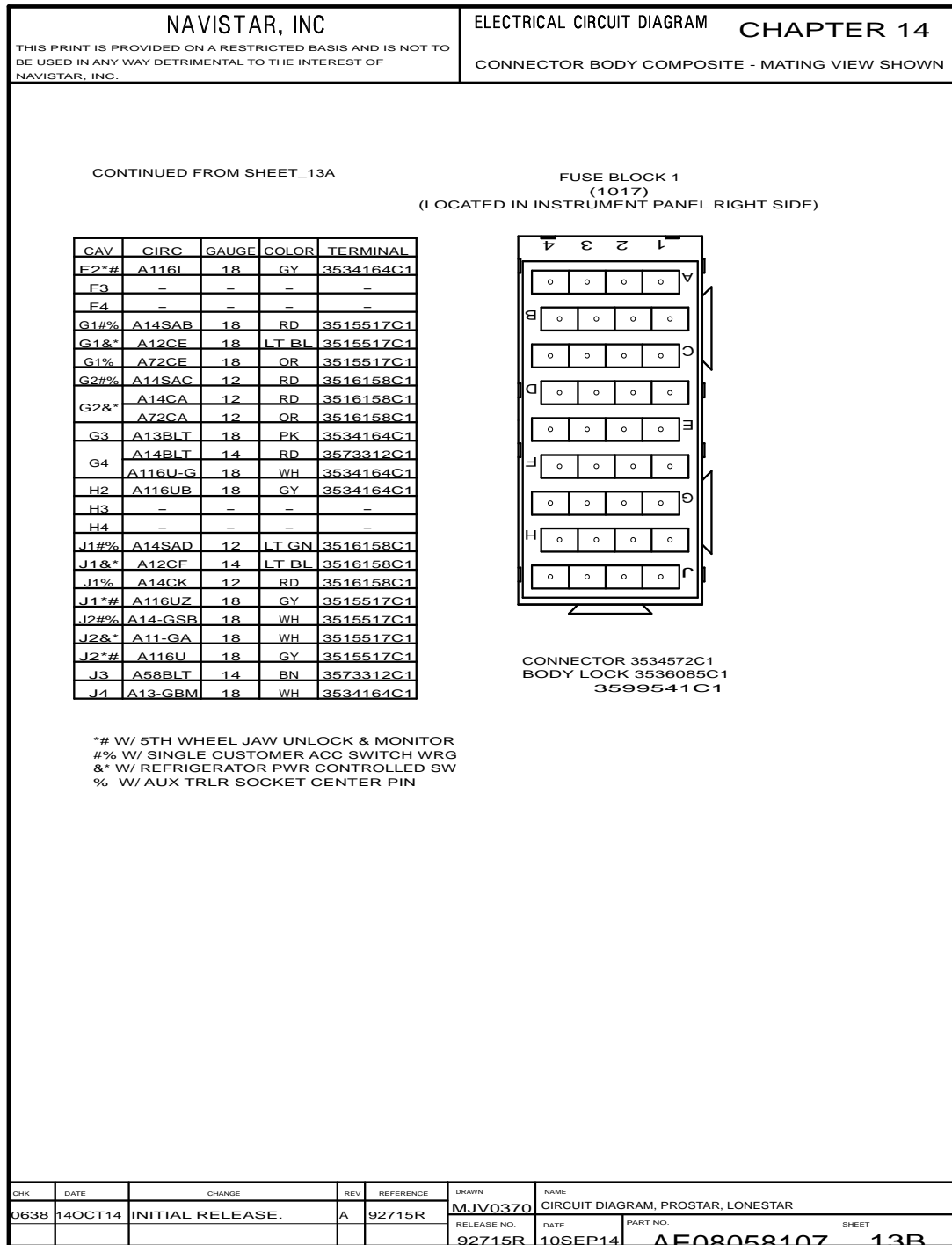


Figure 419 Connector Body Composite (1017)

14.40. CONNECTOR BODY COMPOSITE (1018), P. 14

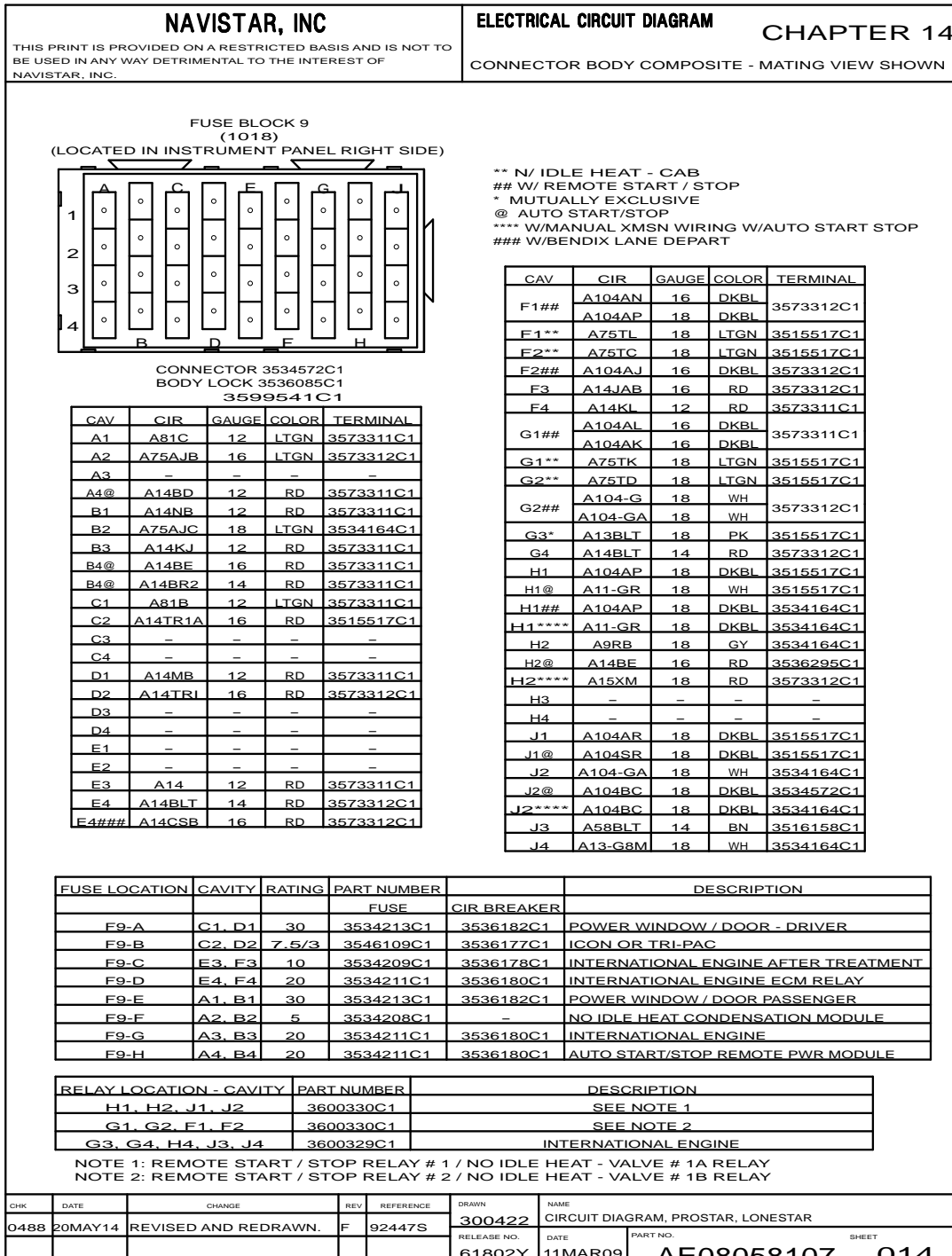


Figure 420 Connector Body Composite (1018)

14.41. CONNECTOR BODY COMPOSITE (1018), P. 14A

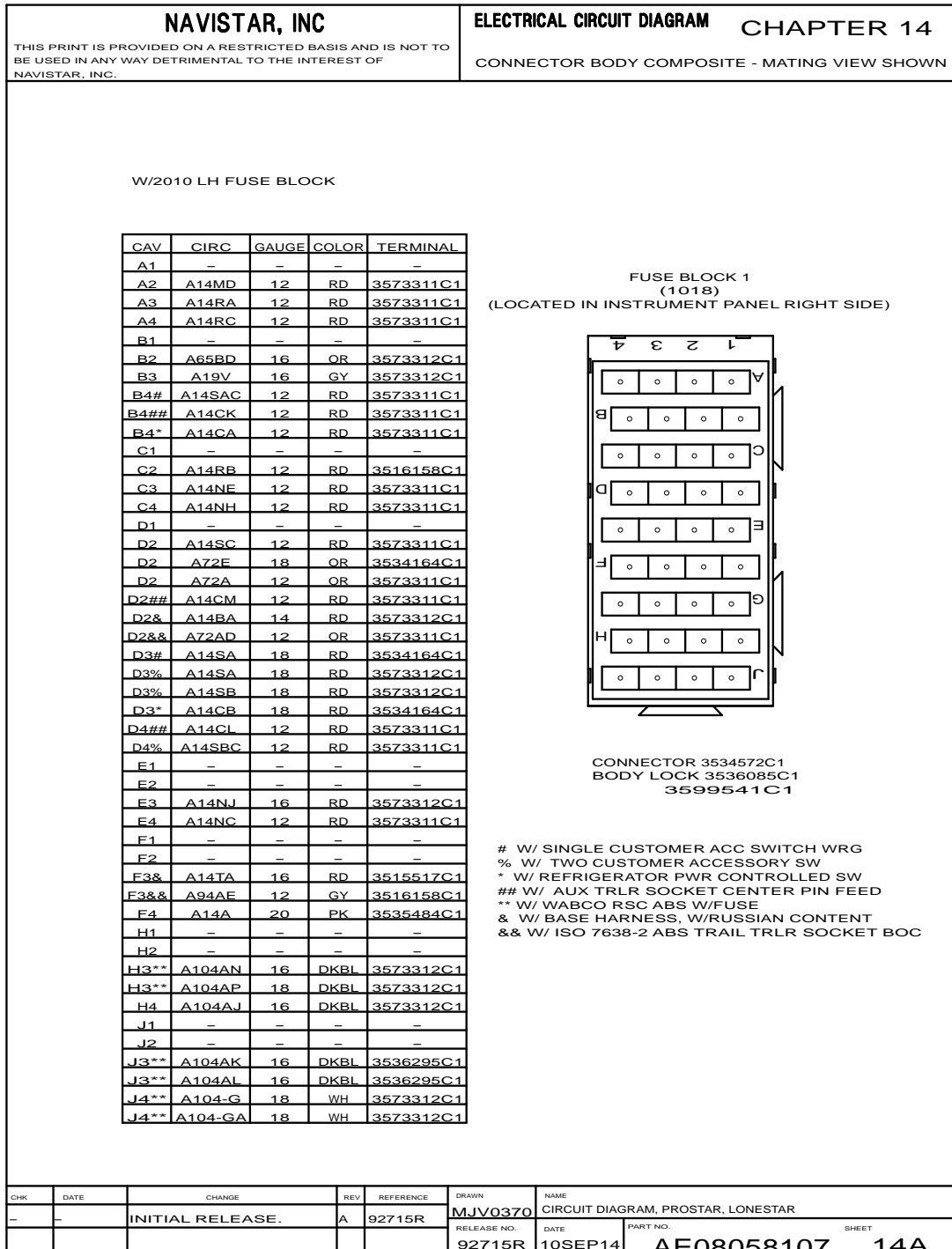


Figure 421 Connector Body Composite (1018)

14.42. CONNECTOR BODY COMPOSITE (1019), P. 15

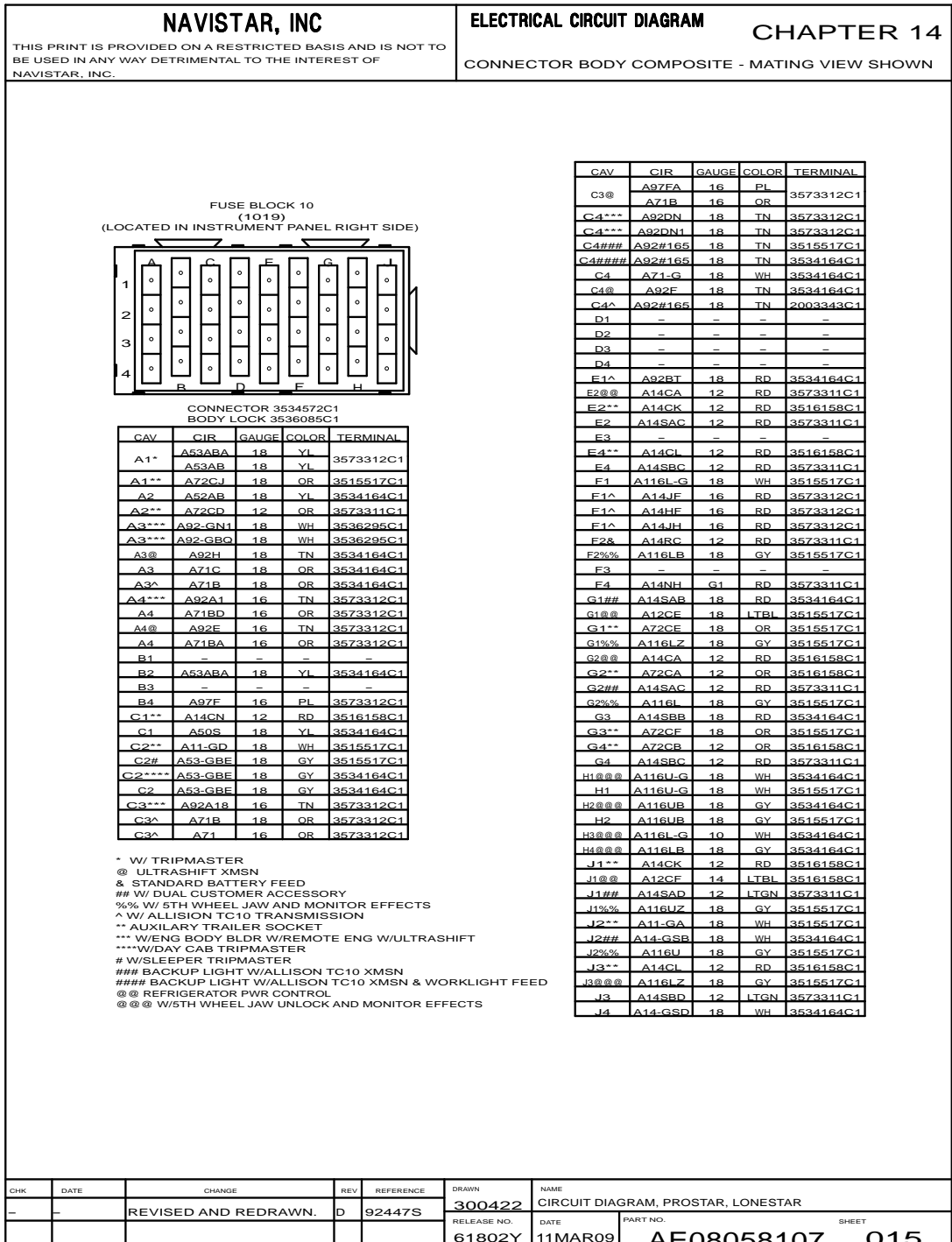


Figure 422 Connector Body Composite (1019)

14.43. CONNECTOR BODY COMPOSITE (1019), P. 15A

<b>NAVISTAR, INC</b>				<b>ELECTRICAL CIRCUIT DIAGRAM</b>		<b>CHAPTER 14</b>																																																			
THIS PRINT IS PROVIDED ON A RESTRICTED BASIS AND IS NOT TO BE USED IN ANY WAY DETRIMENTAL TO THE INTEREST OF NAVISTAR, INC.				CONNECTOR BODY COMPOSITE - MATING VIEW SHOWN																																																					
<p>CONTINUED FROM SHEET 015</p> <table border="1" style="width: 100%; border-collapse: collapse; margin-bottom: 20px;"> <thead> <tr> <th style="width: 15%;">FUSE LOCATION</th> <th style="width: 10%;">CAVITY</th> <th style="width: 10%;">RATING</th> <th style="width: 15%;">PART NUMBER</th> <th style="width: 15%;">FUSE</th> <th style="width: 15%;">CIR BREAKER</th> <th style="width: 20%;">DESCRIPTION</th> </tr> </thead> <tbody> <tr> <td>F10-A</td> <td>E1, F1</td> <td>-</td> <td>-</td> <td>-</td> <td>-</td> <td>5TH WHL JAW MONITOR - LOCK</td> </tr> <tr> <td>F10-B</td> <td>E2, F2</td> <td>30</td> <td>3435213C1</td> <td>3536182C1</td> <td></td> <td>CUSTOMER ACCESSORY # 1</td> </tr> <tr> <td>F10-C</td> <td>E3, F3</td> <td>-</td> <td>-</td> <td>-</td> <td>-</td> <td>OPEN</td> </tr> <tr> <td>F10-D</td> <td>E4, F4</td> <td>30</td> <td>3435213C1</td> <td>3536182C1</td> <td></td> <td>CUSTOMER ACCESSORY # 2 / ICON</td> </tr> </tbody> </table> <table border="1" style="width: 100%; border-collapse: collapse;"> <thead> <tr> <th style="width: 40%;">RELAY LOCATION - CAVITY</th> <th style="width: 20%;">PART NUMBER</th> <th style="width: 40%;">DESCRIPTION</th> </tr> </thead> <tbody> <tr> <td>A1, A2, B2, C1, C2</td> <td>3600329C1</td> <td>TRIPMASTER HEADLIGHT INPUT</td> </tr> <tr> <td>A3, A4, B4, C3, C4</td> <td>3600329C1</td> <td>SEE NOTE 1</td> </tr> <tr> <td>G1, G2, H2, J1, J2</td> <td>3600329C1</td> <td>CUSTOMER ACCESSORY # 1</td> </tr> <tr> <td>G3, G4, H4, J3, J4</td> <td>3600329C1</td> <td>CUSTOMER ACCESSORY # 2</td> </tr> </tbody> </table> <p style="text-align: center; font-size: small;">NOTE 1 - RELAY: EATON ULTRASHIFT XMSN IGN / FREEDOMLINE XMSN BACK-UP / ALLISON TC10 XMSN BACKUP RELAY</p>								FUSE LOCATION	CAVITY	RATING	PART NUMBER	FUSE	CIR BREAKER	DESCRIPTION	F10-A	E1, F1	-	-	-	-	5TH WHL JAW MONITOR - LOCK	F10-B	E2, F2	30	3435213C1	3536182C1		CUSTOMER ACCESSORY # 1	F10-C	E3, F3	-	-	-	-	OPEN	F10-D	E4, F4	30	3435213C1	3536182C1		CUSTOMER ACCESSORY # 2 / ICON	RELAY LOCATION - CAVITY	PART NUMBER	DESCRIPTION	A1, A2, B2, C1, C2	3600329C1	TRIPMASTER HEADLIGHT INPUT	A3, A4, B4, C3, C4	3600329C1	SEE NOTE 1	G1, G2, H2, J1, J2	3600329C1	CUSTOMER ACCESSORY # 1	G3, G4, H4, J3, J4	3600329C1	CUSTOMER ACCESSORY # 2
FUSE LOCATION	CAVITY	RATING	PART NUMBER	FUSE	CIR BREAKER	DESCRIPTION																																																			
F10-A	E1, F1	-	-	-	-	5TH WHL JAW MONITOR - LOCK																																																			
F10-B	E2, F2	30	3435213C1	3536182C1		CUSTOMER ACCESSORY # 1																																																			
F10-C	E3, F3	-	-	-	-	OPEN																																																			
F10-D	E4, F4	30	3435213C1	3536182C1		CUSTOMER ACCESSORY # 2 / ICON																																																			
RELAY LOCATION - CAVITY	PART NUMBER	DESCRIPTION																																																							
A1, A2, B2, C1, C2	3600329C1	TRIPMASTER HEADLIGHT INPUT																																																							
A3, A4, B4, C3, C4	3600329C1	SEE NOTE 1																																																							
G1, G2, H2, J1, J2	3600329C1	CUSTOMER ACCESSORY # 1																																																							
G3, G4, H4, J3, J4	3600329C1	CUSTOMER ACCESSORY # 2																																																							
CHK	DATE	CHANGE	REV	REFERENCE	DRAWN	NAME																																																			
0488	20MAY14	INITIAL RELEASE.	A	92447S	MJV0370	CIRCUIT DIAGRAM, PROSTAR, LONESTAR																																																			
					RELEASE NO.	DATE	PART NO. SHEET																																																		
					92447S	25FEB14	AE08058107 15A																																																		

Figure 423 Connector Body Composite (1019)

14.44. CONNECTOR BODY COMPOSITE (1019), P. 15B

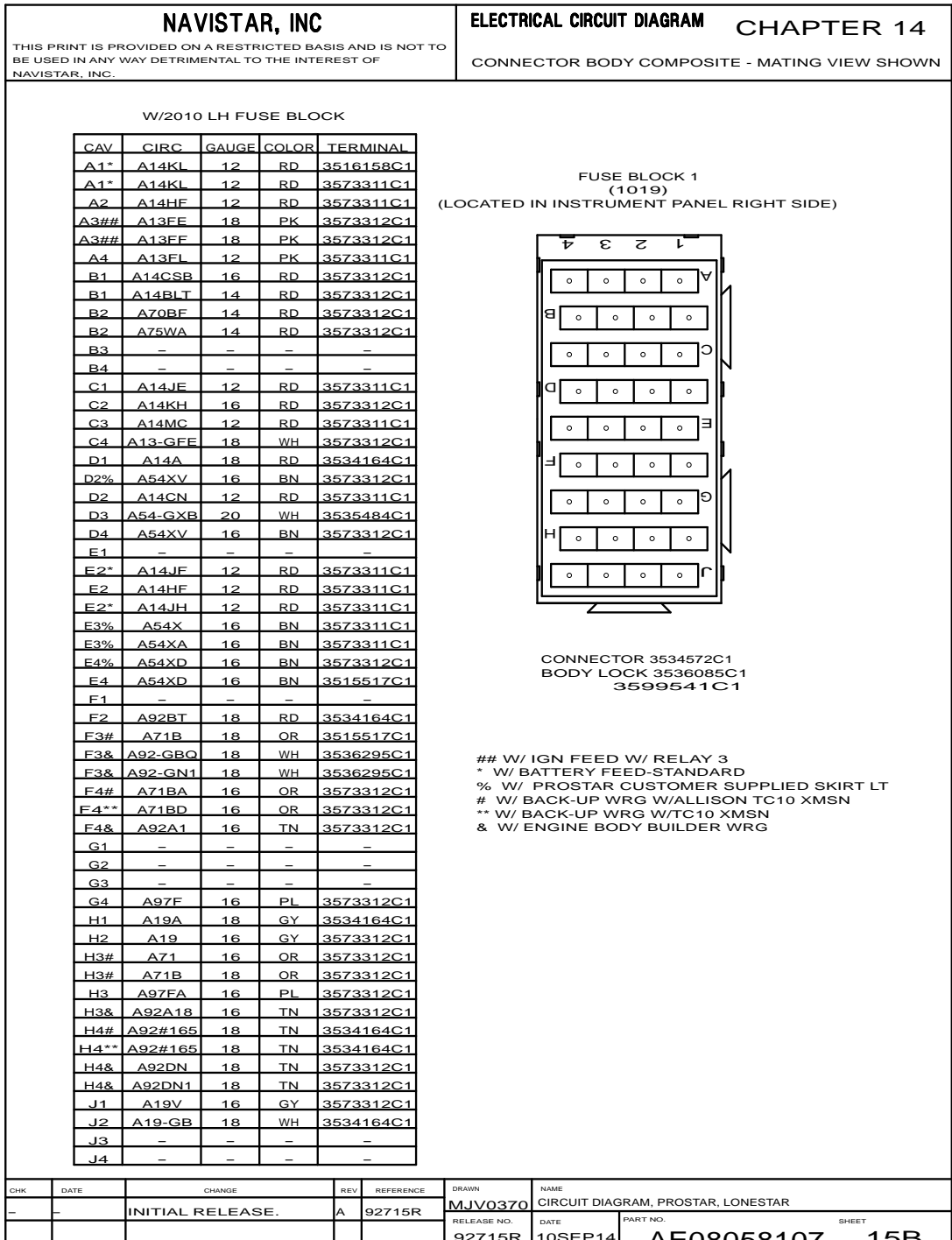


Figure 424 Connector Body Composite (1019)



14.45. CONNECTOR BODY COMPOSITE (1020), P. 16

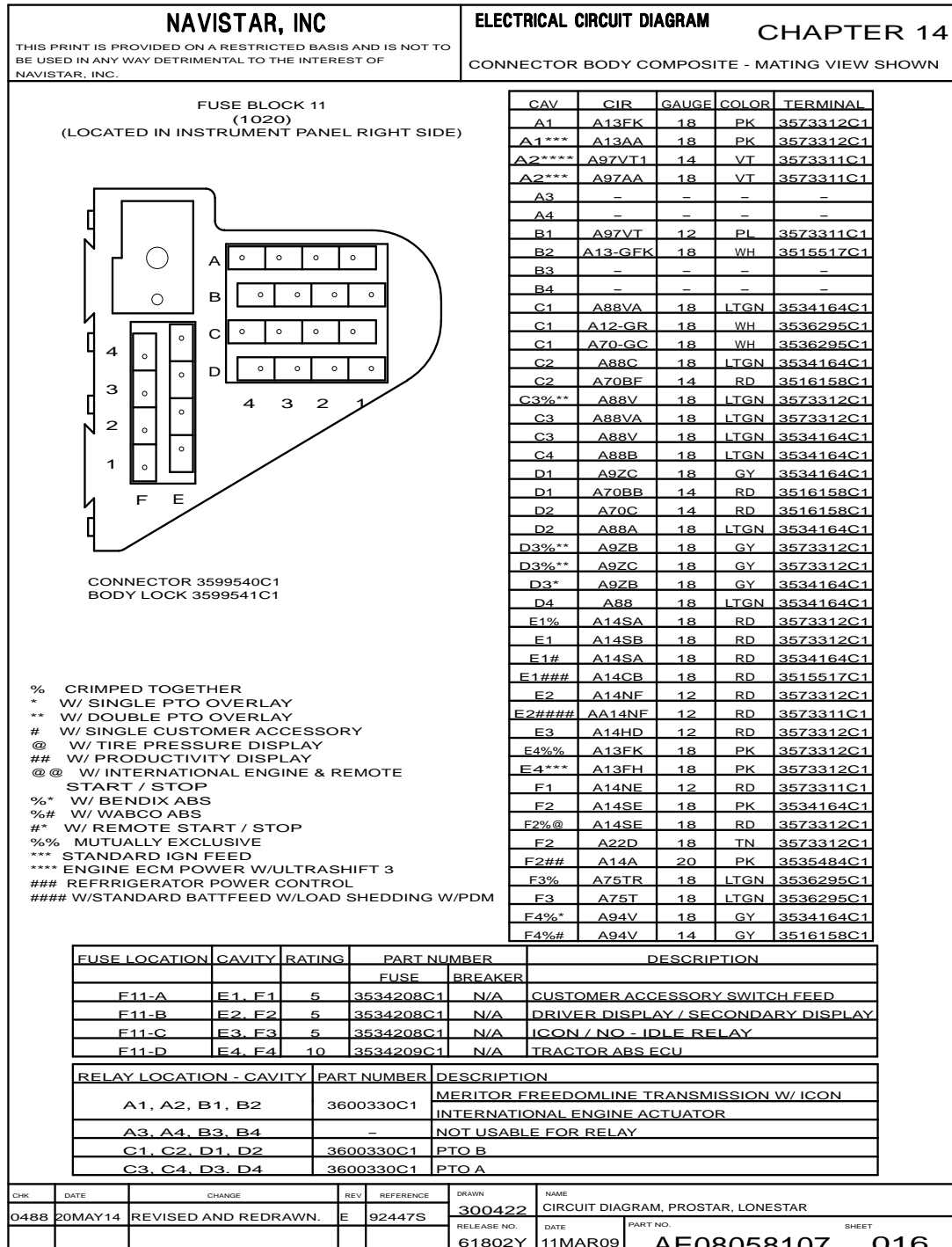


Figure 425 Connector Body Composite (1020)

14.46. CONNECTOR BODY COMPOSITE (1020), P. 16A

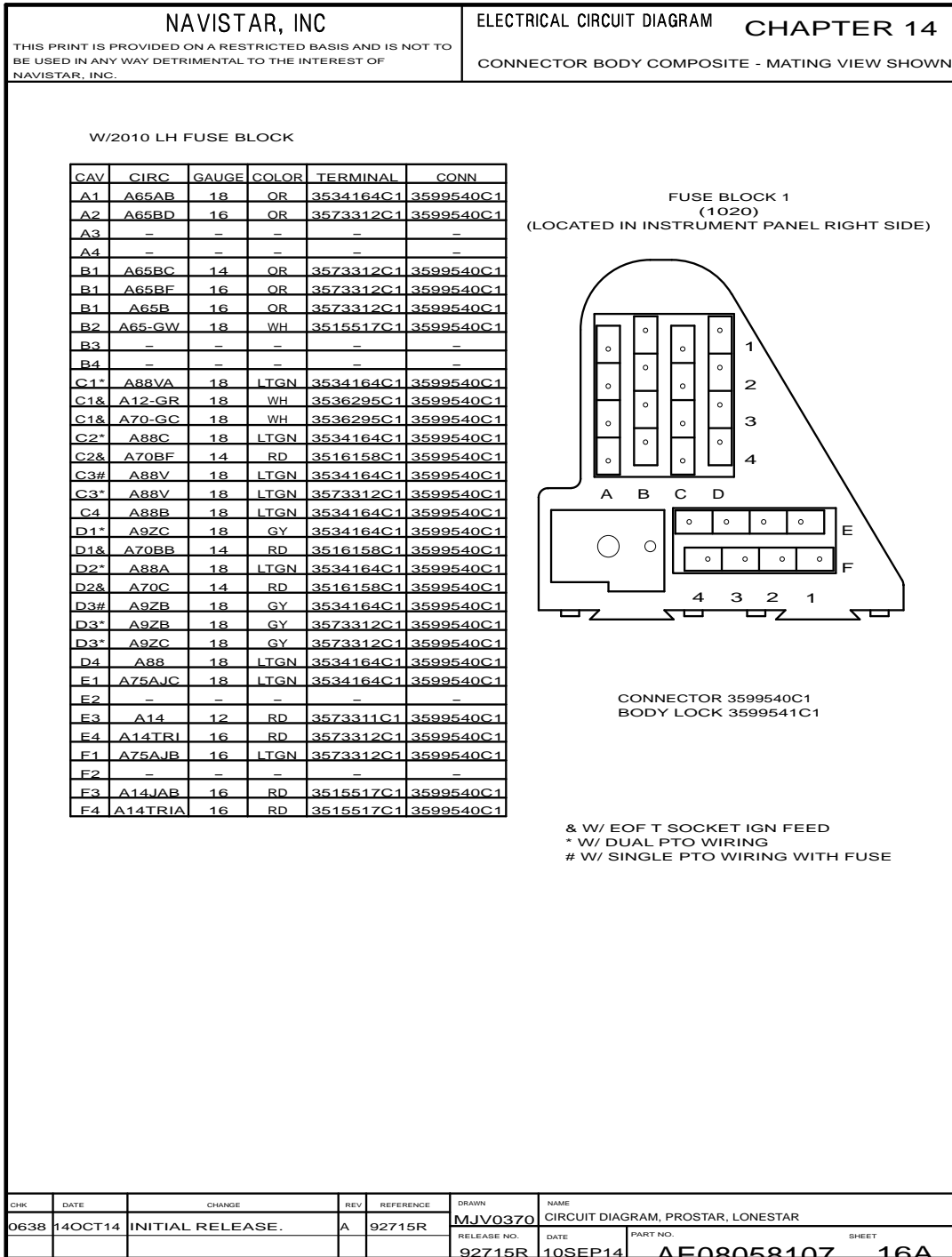


Figure 426 Connector Body Composite (1020)

14.47. CONNECTOR BODY COMPOSITE (1021), (1022), P. 16B

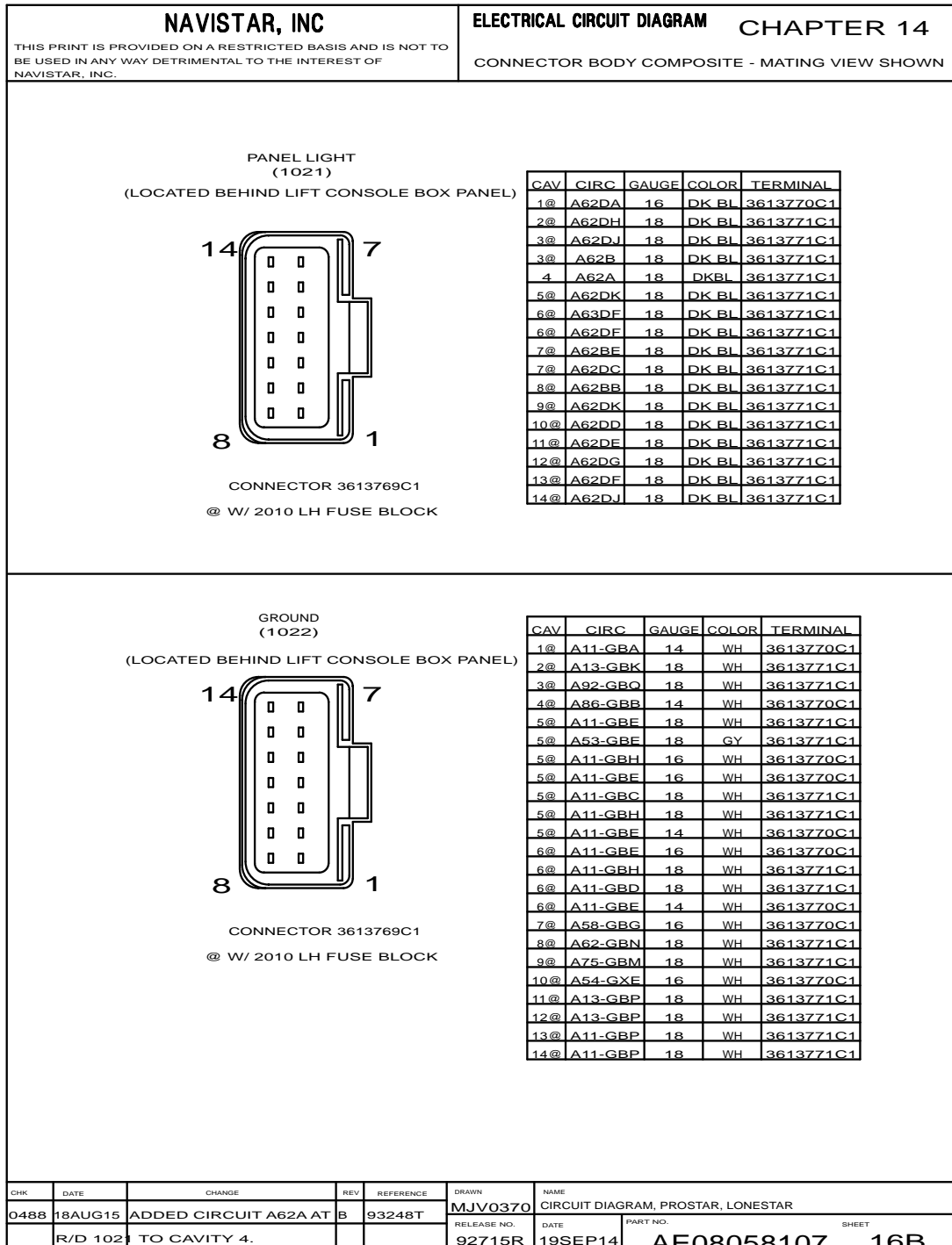


Figure 427 Connector Body Composite (1021), (1022)

14.48. CONNECTOR BODY COMPOSITE (1023), (1024), P. 17

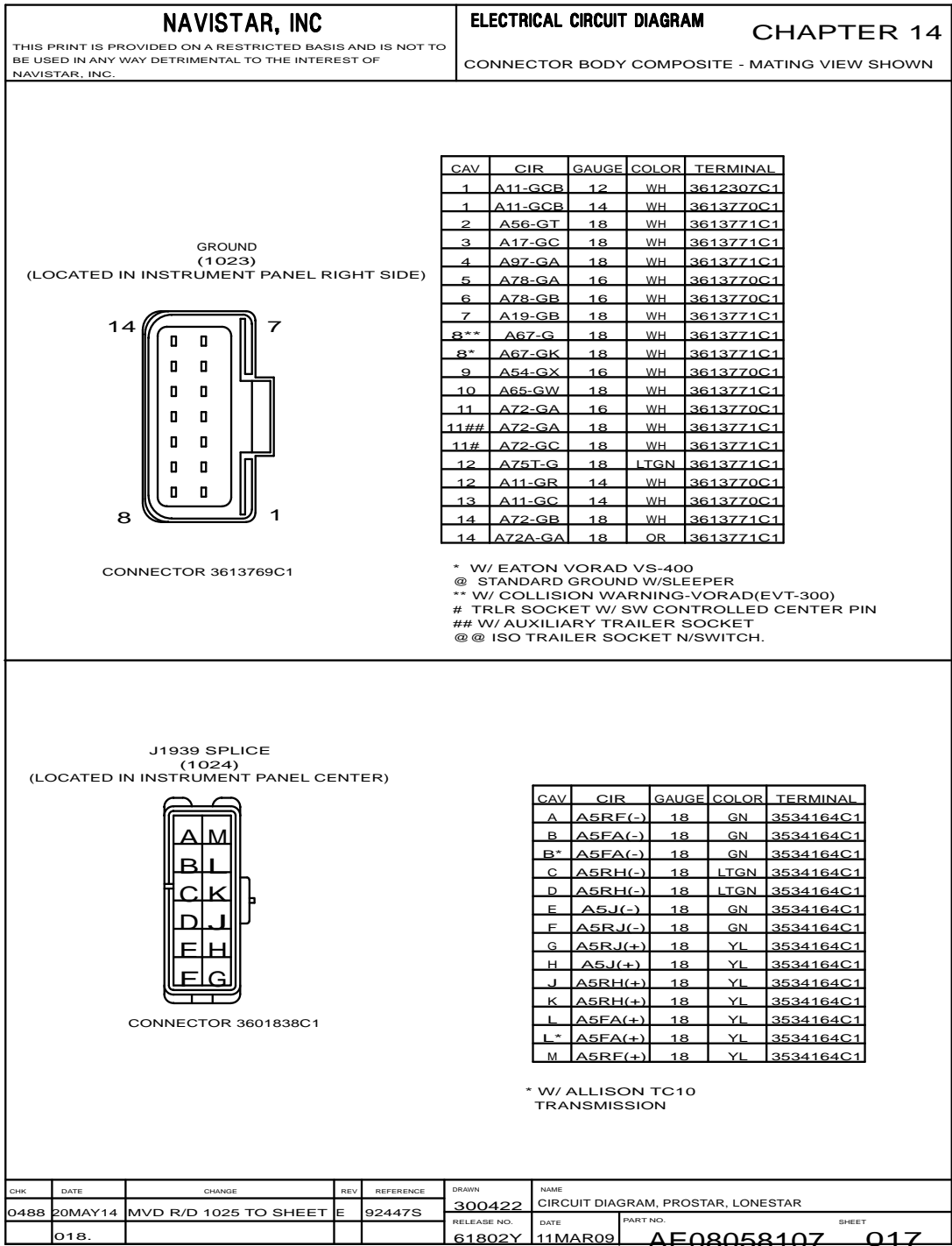


Figure 428 Connector Body Composite (1023), (1024)

14.49. CONNECTOR BODY COMPOSITE (1025), (1026), (1027), P. 18

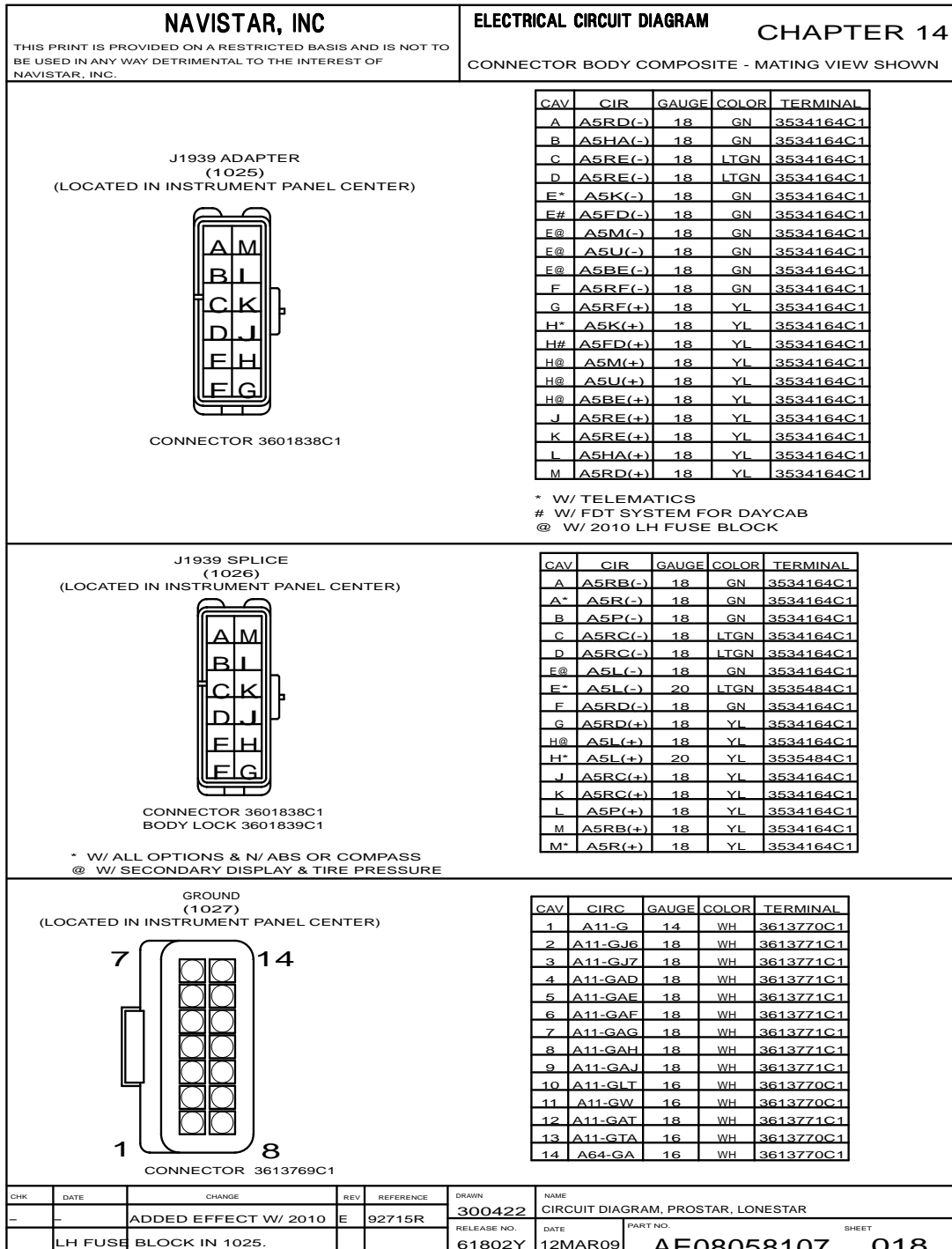


Figure 429 Connector Body Composite (1025), (1026), (1027)

14.50. CONNECTOR BODY COMPOSITE (1028), (1035), P. 18A

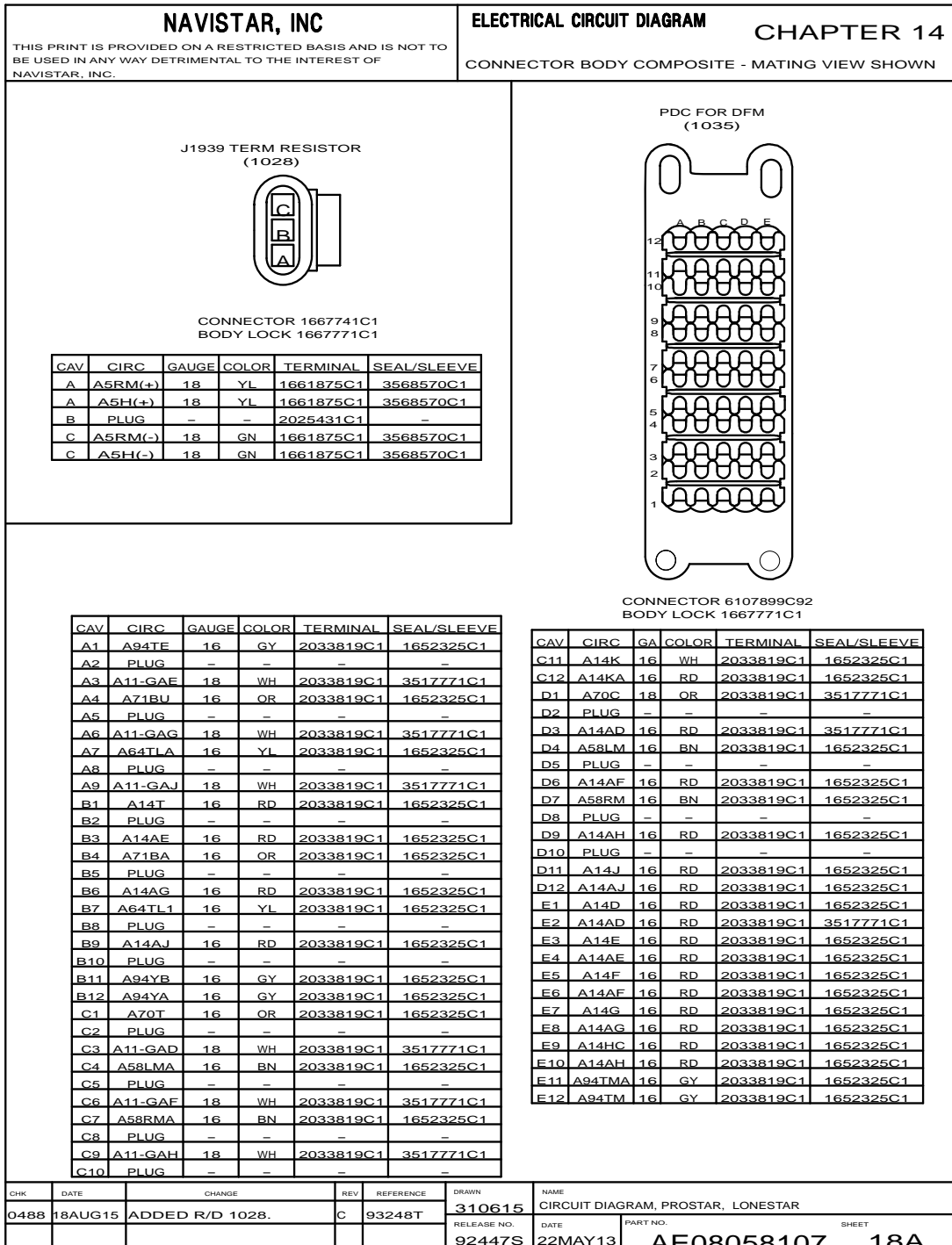


Figure 430 Connector Body Composite (1028), (1035)

14.51. CONNECTOR BODY COMPOSITE (1100M), (1101M), (1110M), P. 18B

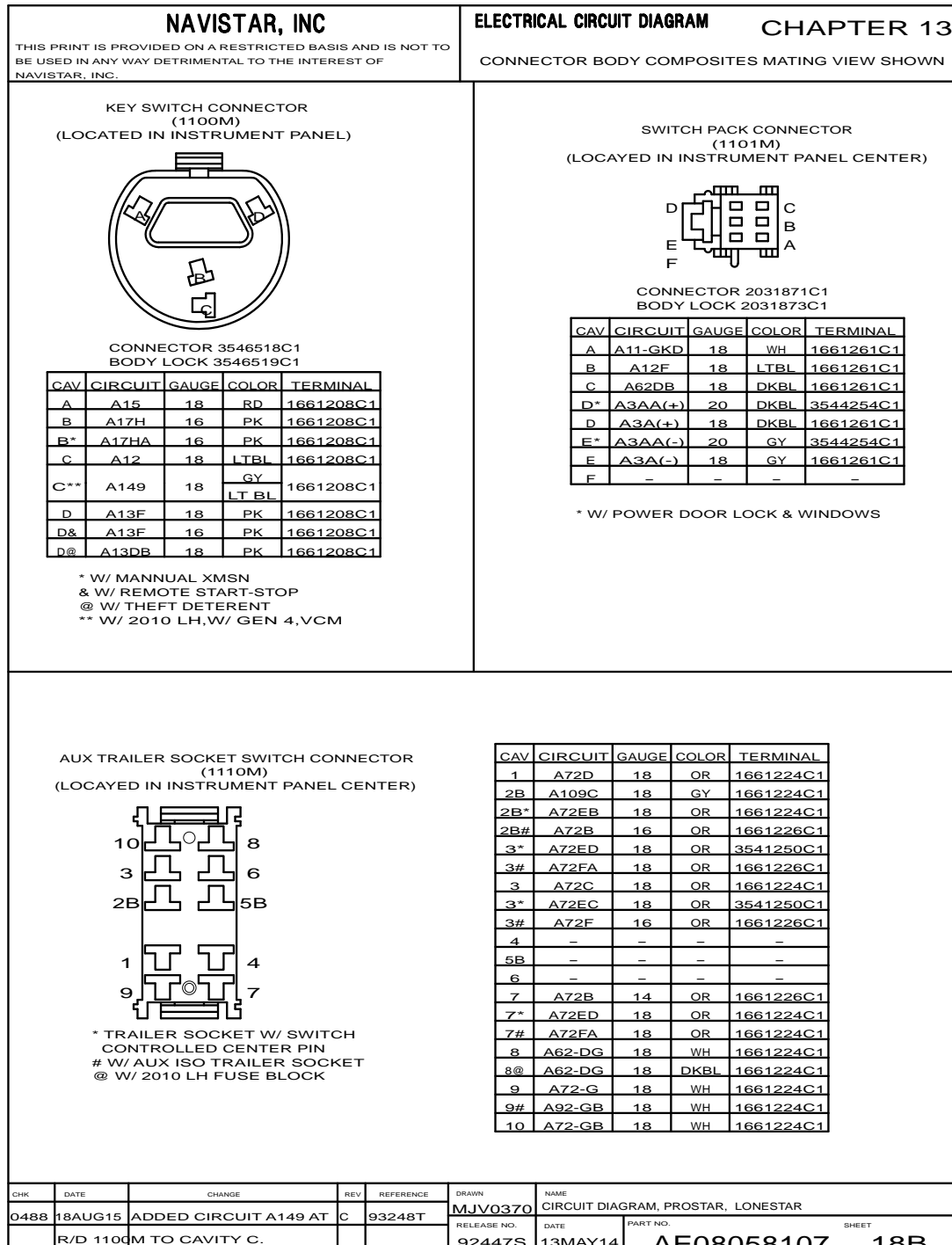


Figure 431 Connector Body Composite (1100M), (1101M), (1110M)

14.52. CONNECTOR BODY COMPOSITE (1111M), (1112), (1112M), (1113), (1113M), P. 19

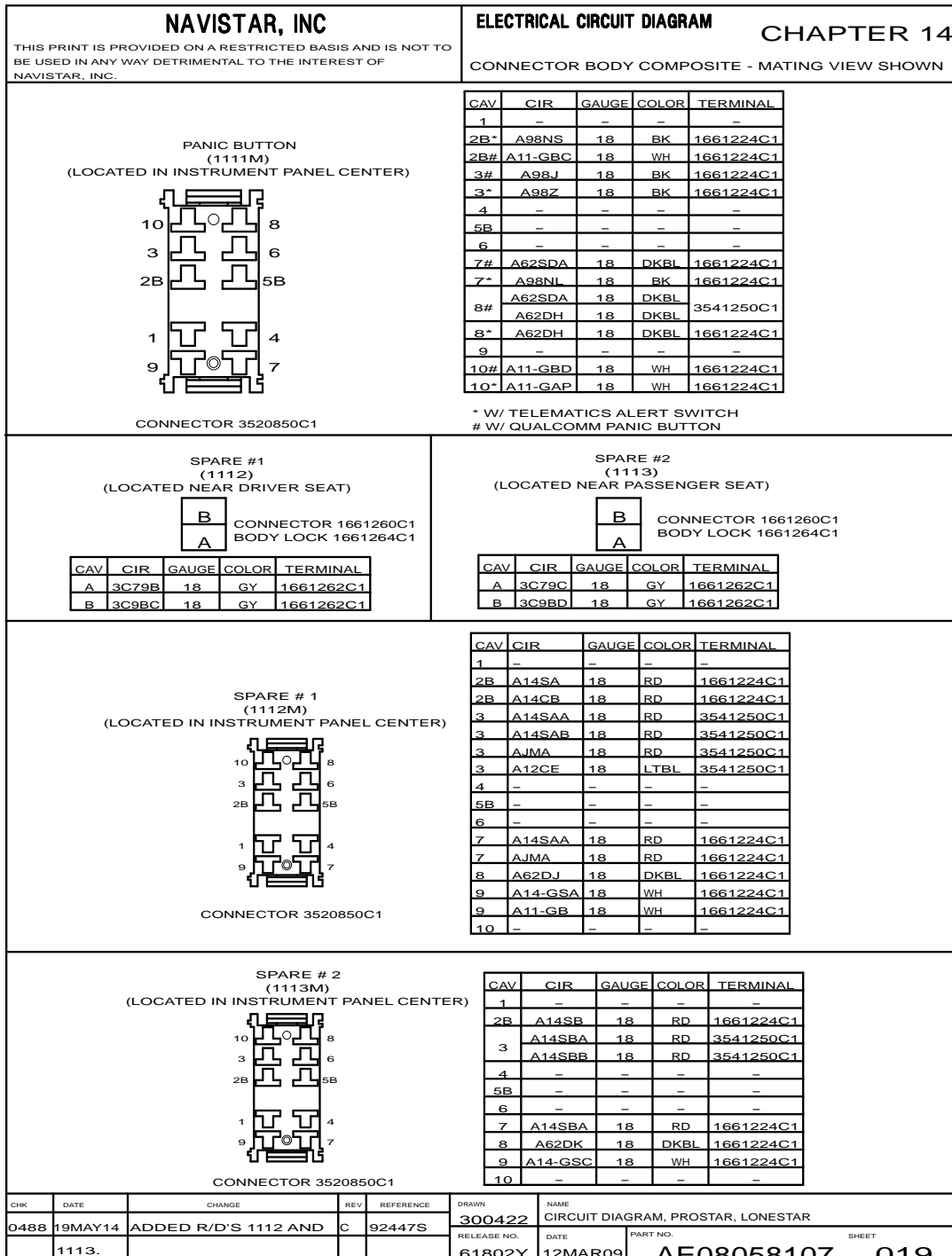


Figure 432 Connector Body Composite (1111M), (1112), (1112M), (1113), (1113M)



14.53. CONNECTOR BODY COMPOSITE (1114M), (1115M), (1116M), (1117M), P. 20

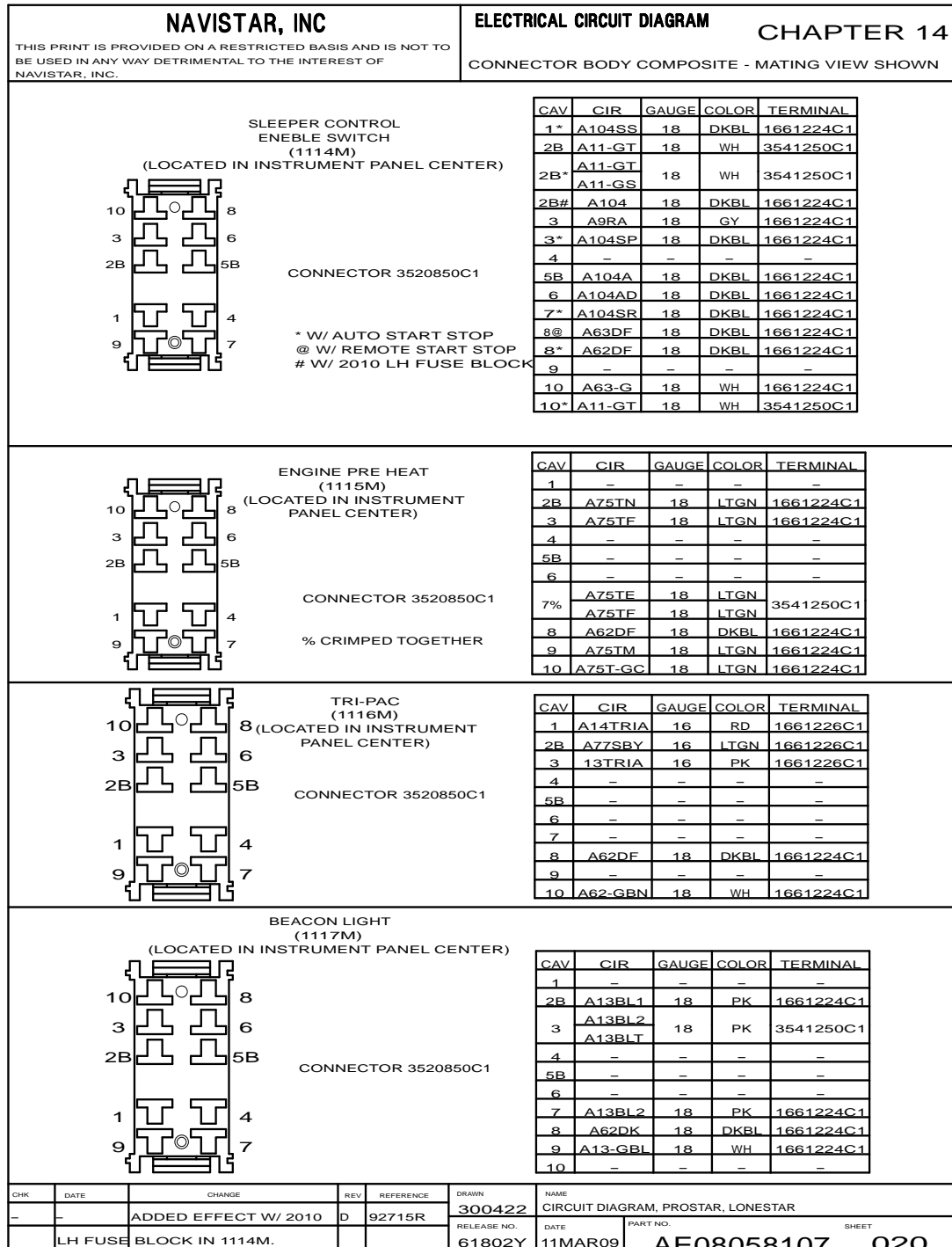


Figure 433 Connector Body Composite (1114M), (1115M), (1116M), (1117M)

14.54. CONNECTOR BODY COMPOSITE (1118M), (1119F), (1119M), (1120M), P. 21

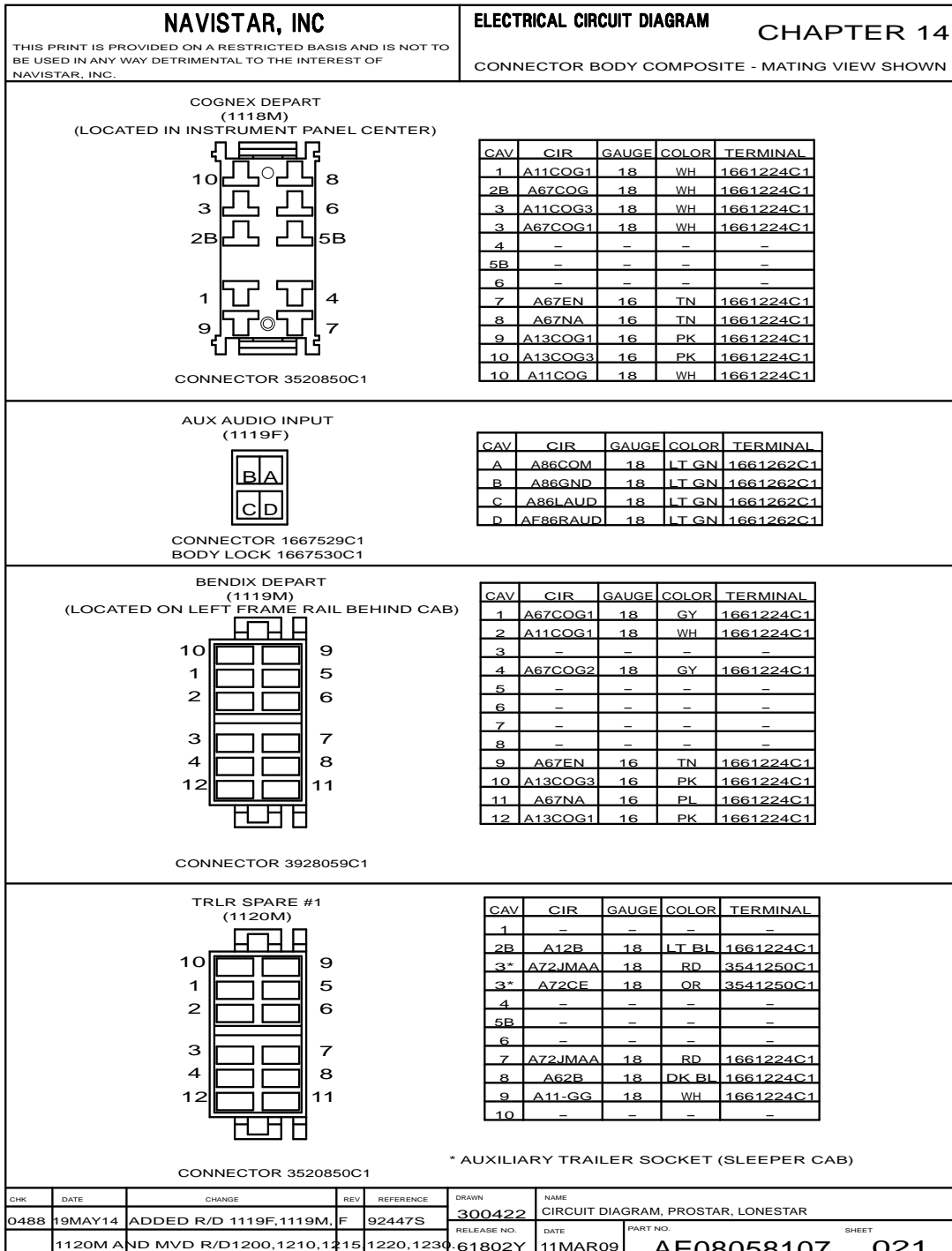


Figure 434 Connector Body Composite (1118M), (1119F), (1119M), (1120M)

14.55. CONNECTOR BODY COMPOSITE (1121M), (1122M), (1123M), (1124M), P. 21A

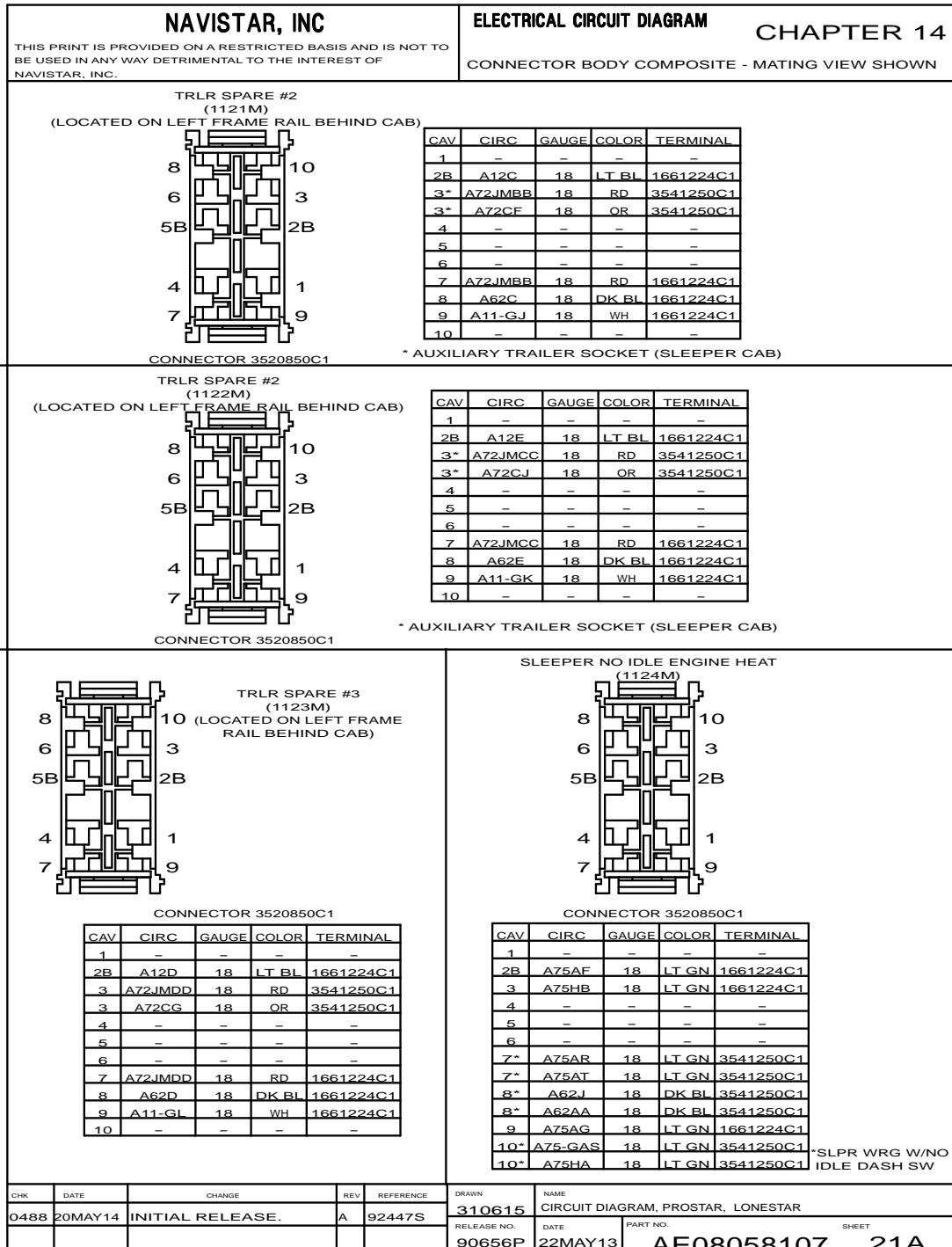


Figure 435 Connector Body Composite (1121M), (1122M), (1123M), (1124M)

14.56. CONNECTOR BODY COMPOSITE (1125M), (1126M), (1200), (1210), P. 21B

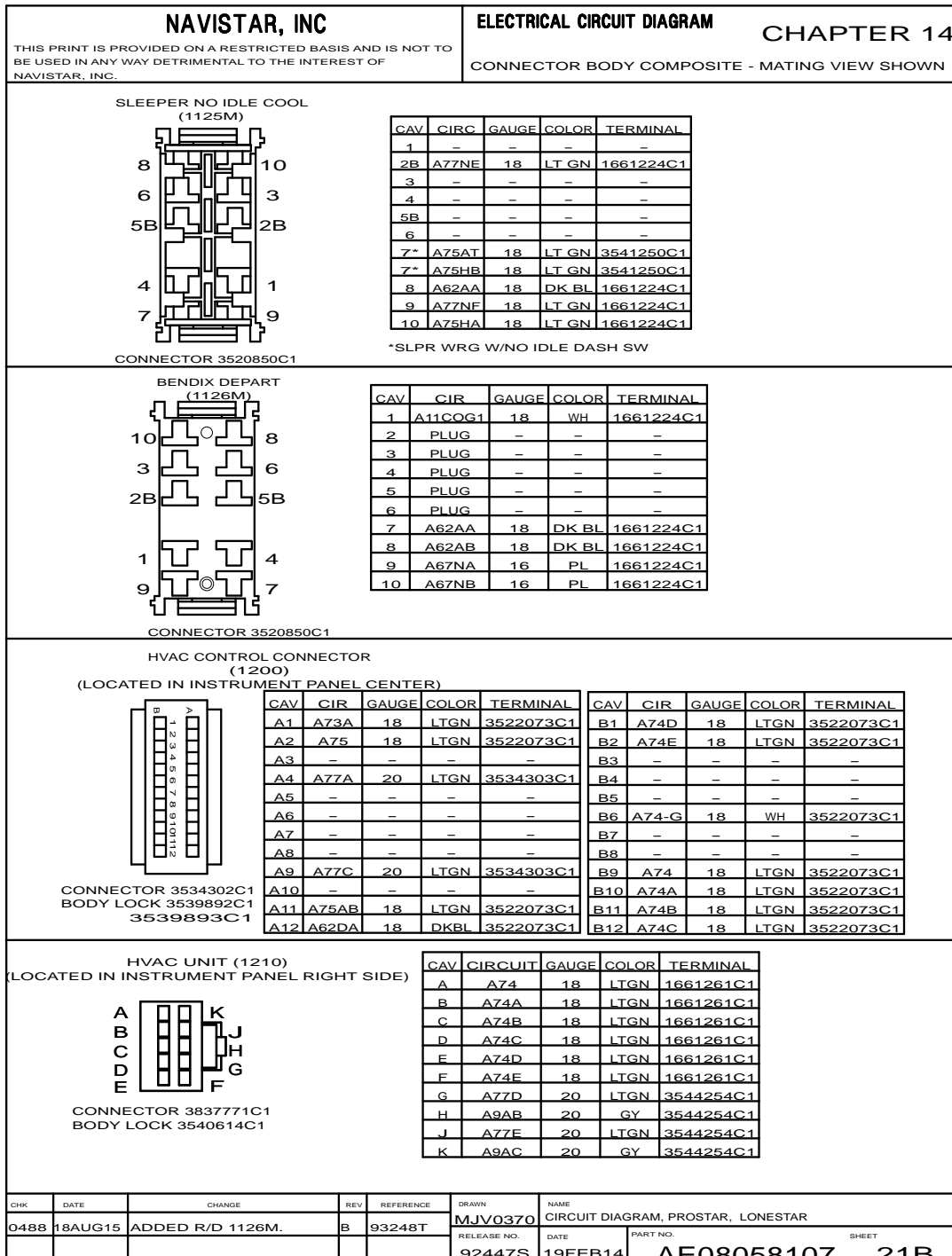


Figure 436 Connector Body Composite (1125M), (1126M), (1200), (1210)

14.57. CONNECTOR BODY COMPOSITE (1215), (1220), (1230), P. 21C

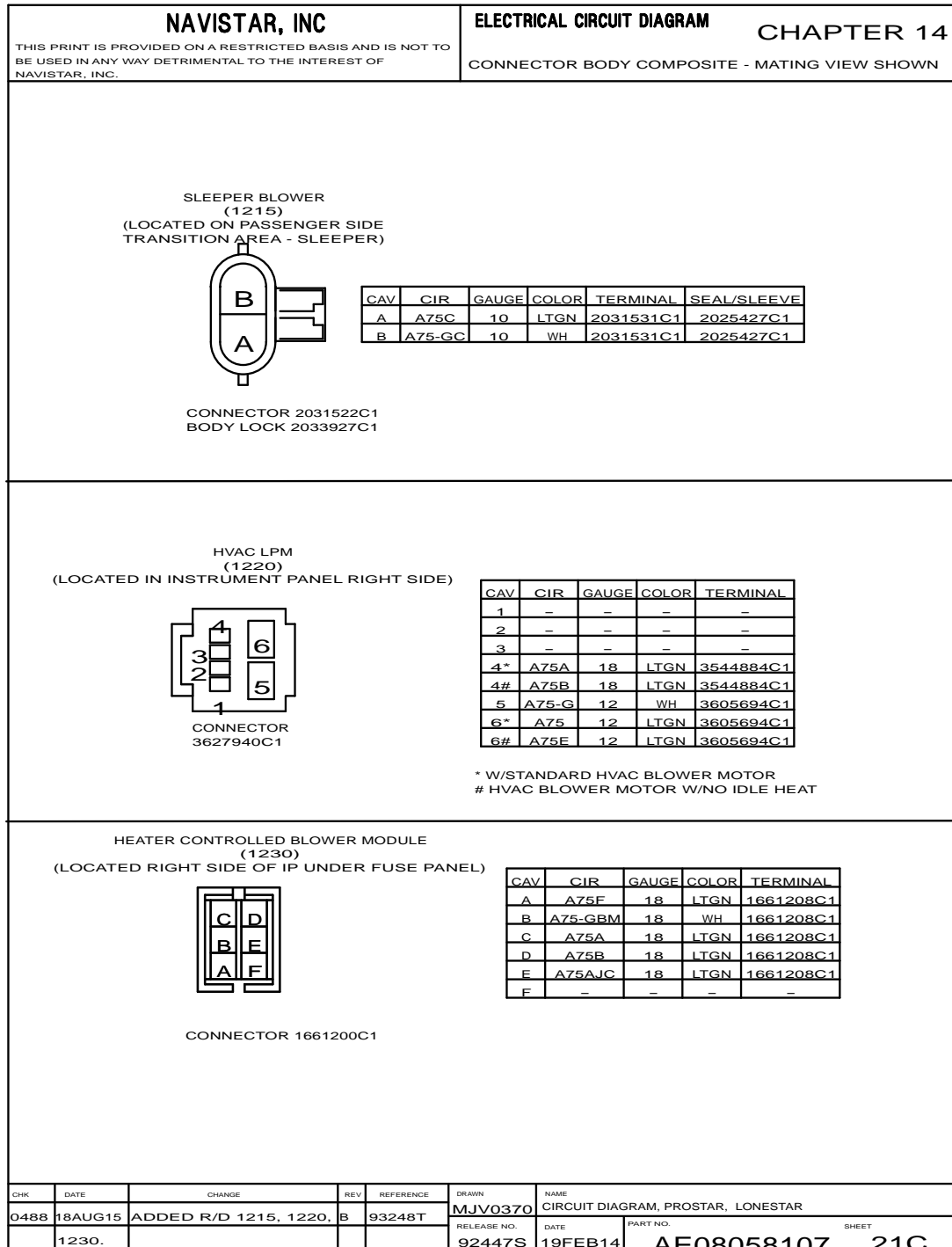


Figure 437 Connector Body Composite (1215), (1220), (1230)

14.58. CONNECTOR BODY COMPOSITE (1300), (1301), P. 22

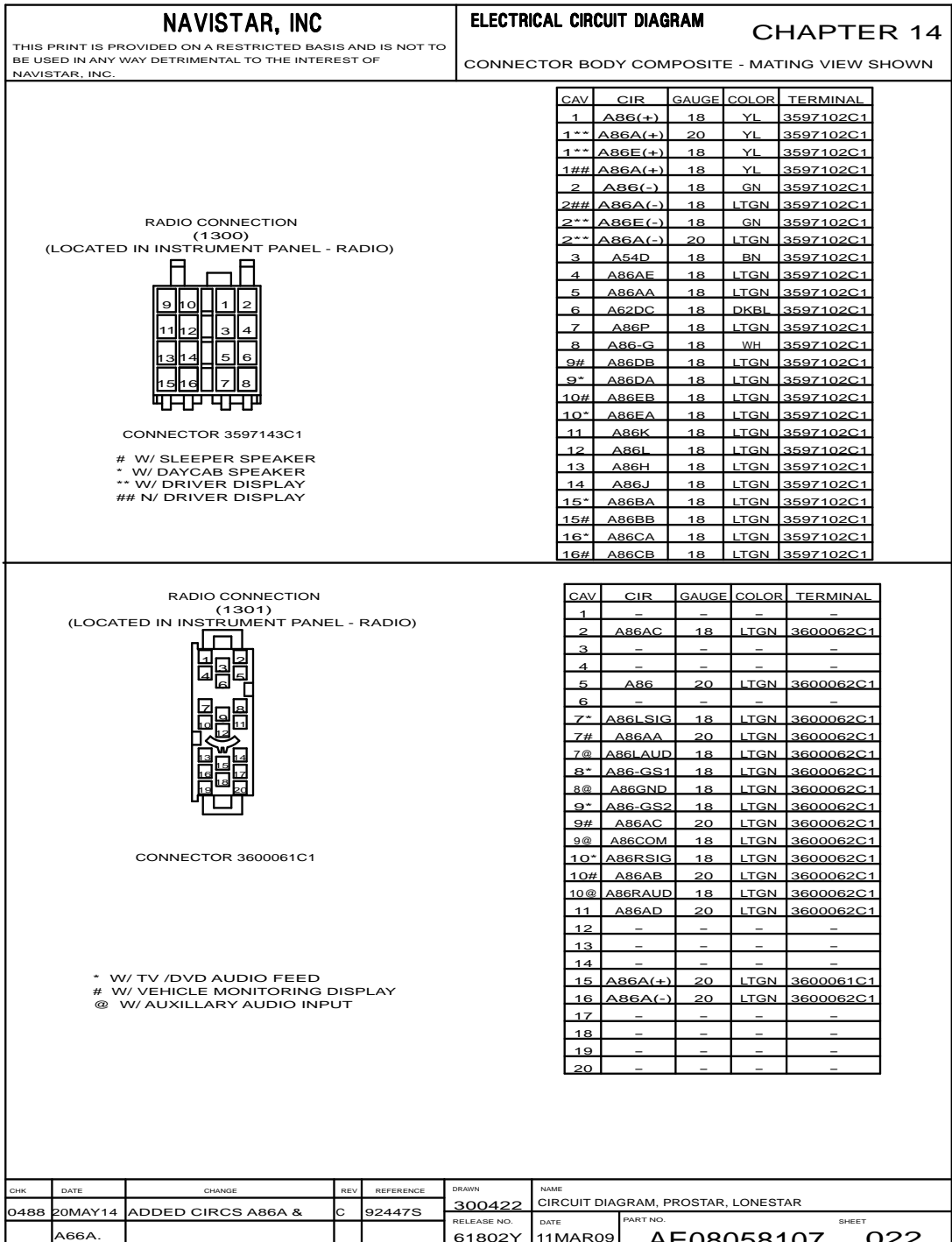


Figure 438 Connector Body Composite (1300), (1301)

14.59. CONNECTOR BODY COMPOSITE (1378), P. 22A

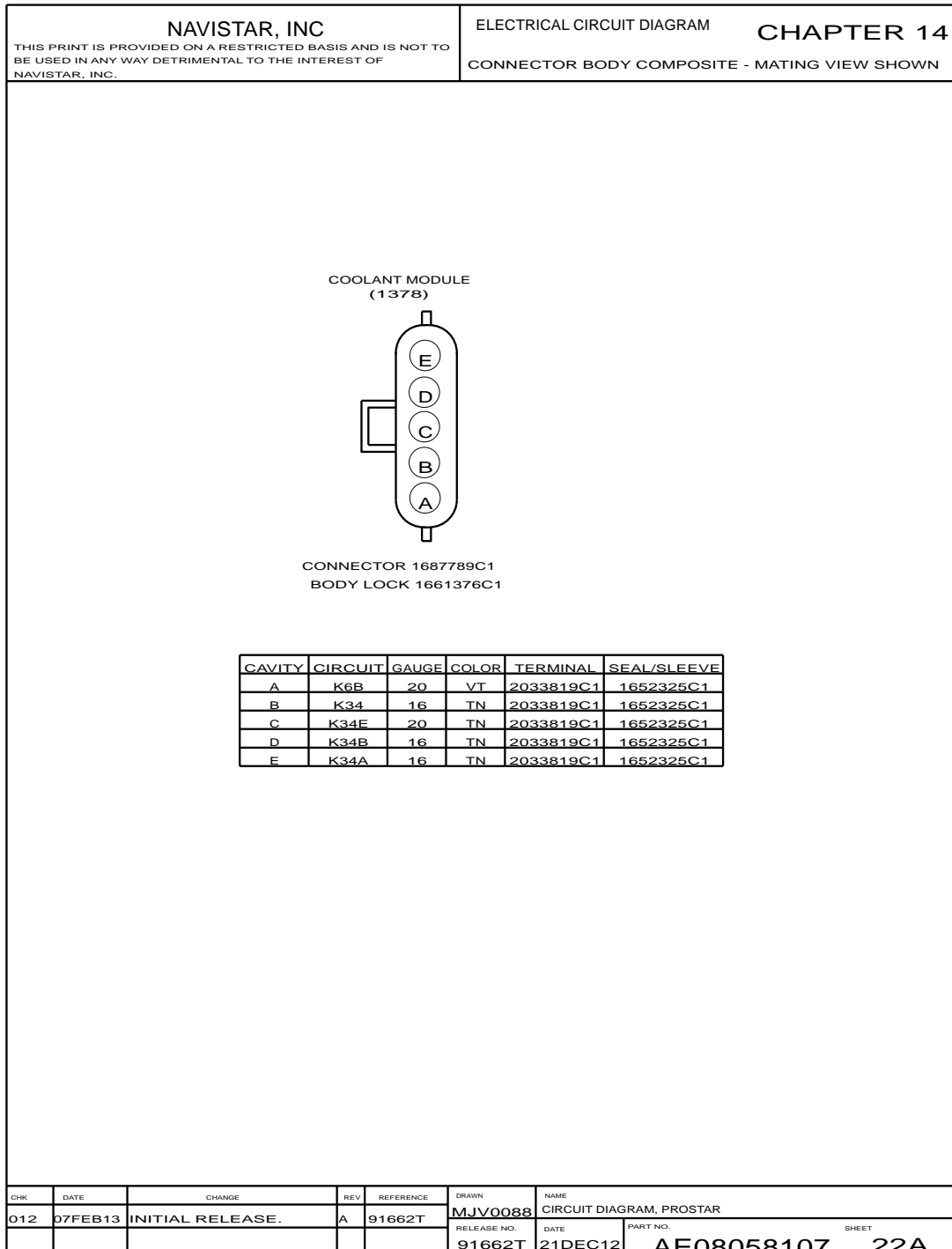


Figure 439 Connector Body Composite (1378)

14.60. CONNECTOR BODY COMPOSITE (1400), (1401), (1402), P. 23

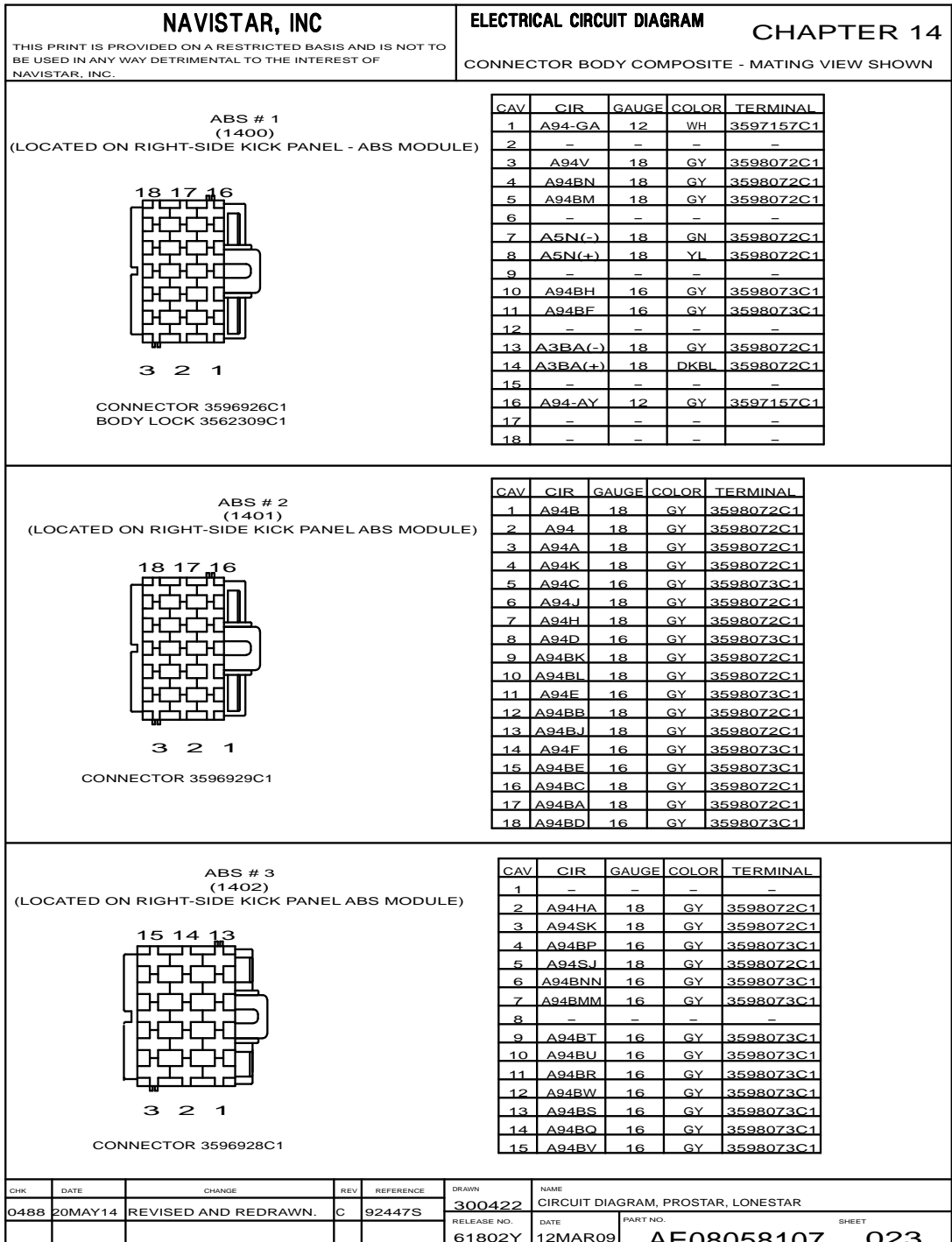


Figure 440 Connector Body Composite (1400), (1401), (1402)



14.61. CONNECTOR BODY COMPOSITE (1403), (1410), (1420), P. 24

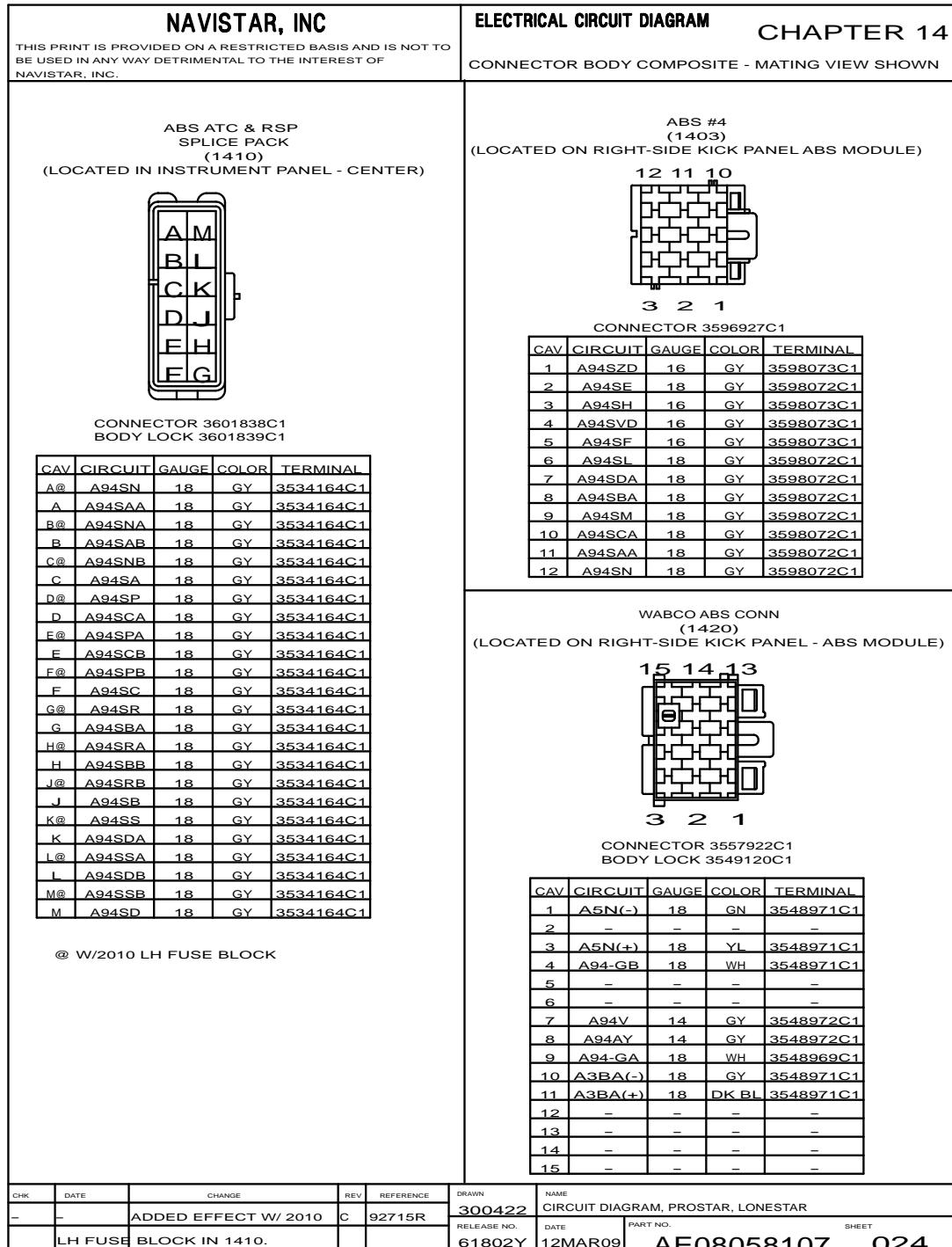


Figure 441 Connector Body Composite (1403), (1410), (1420)

14.62. CONNECTOR BODY COMPOSITE (1421), (1422), (1500), (1501), P. 25

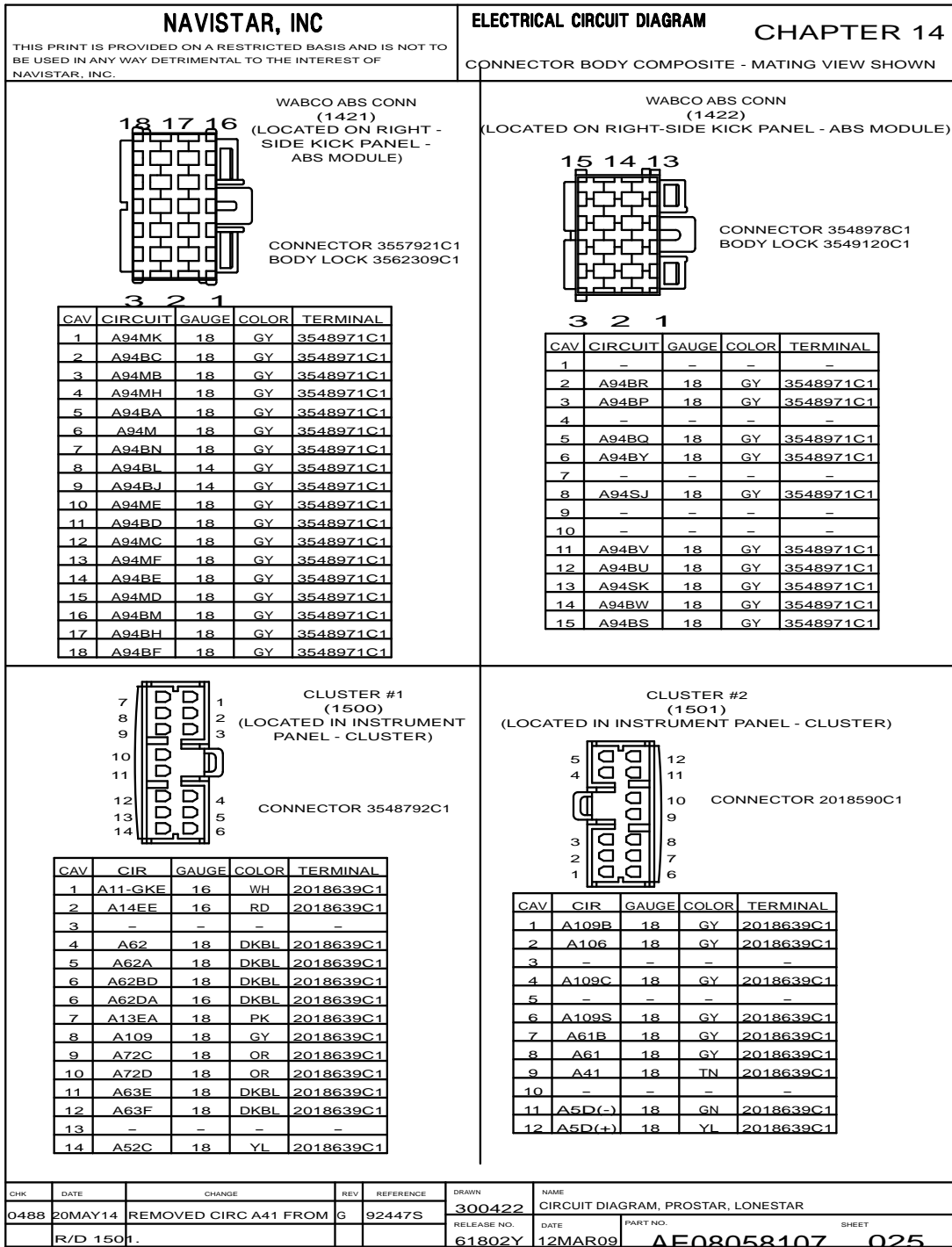


Figure 442 Connector Body Composite (1421), (1422), (1500), (1501)

14.63. CONNECTOR BODY COMPOSITE (1423), (1500), (1501), P. 25A

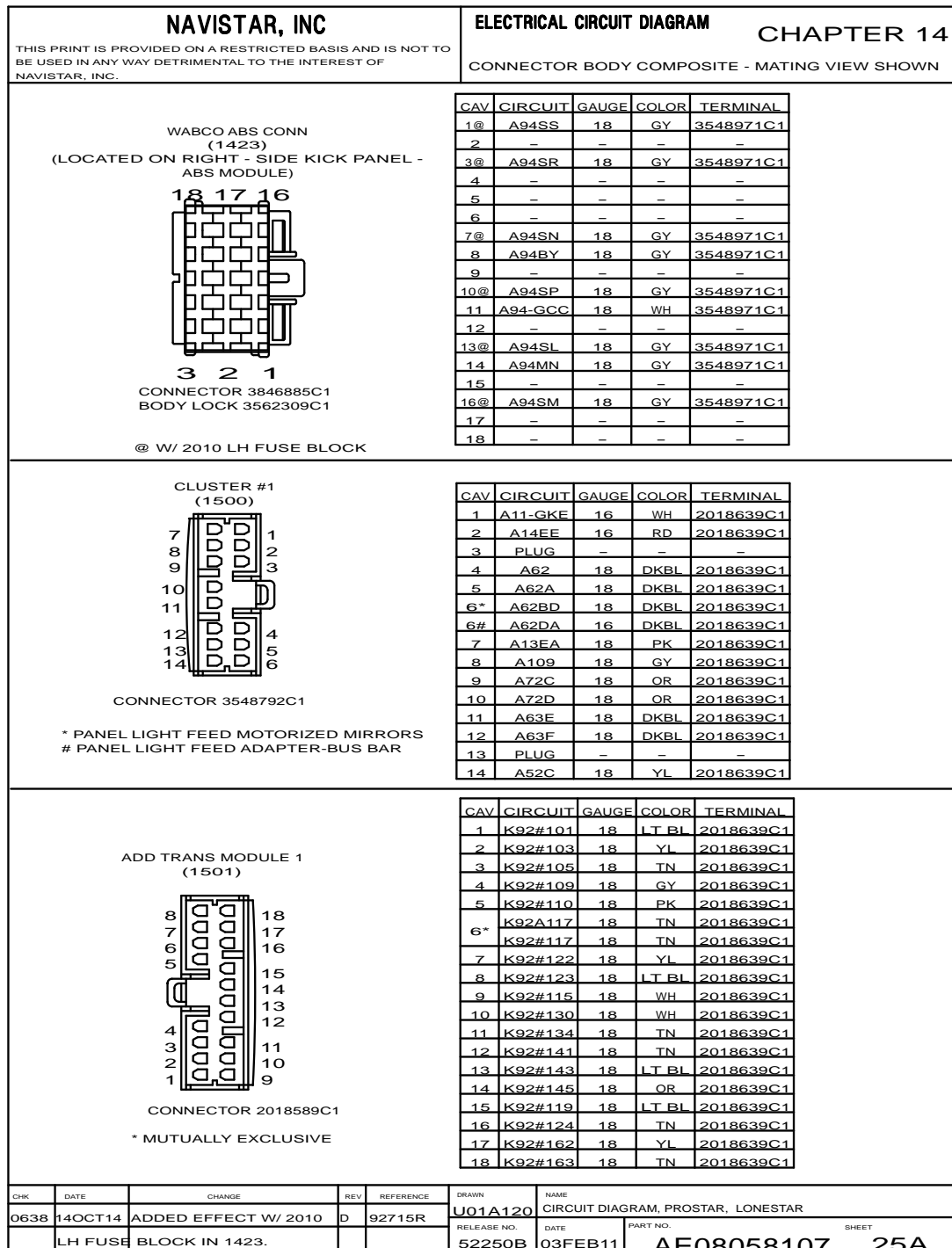


Figure 443 Connector Body Composite (1423), (1500), (1501)

14.64. CONNECTOR BODY COMPOSITE (1501), (1502), P. 26

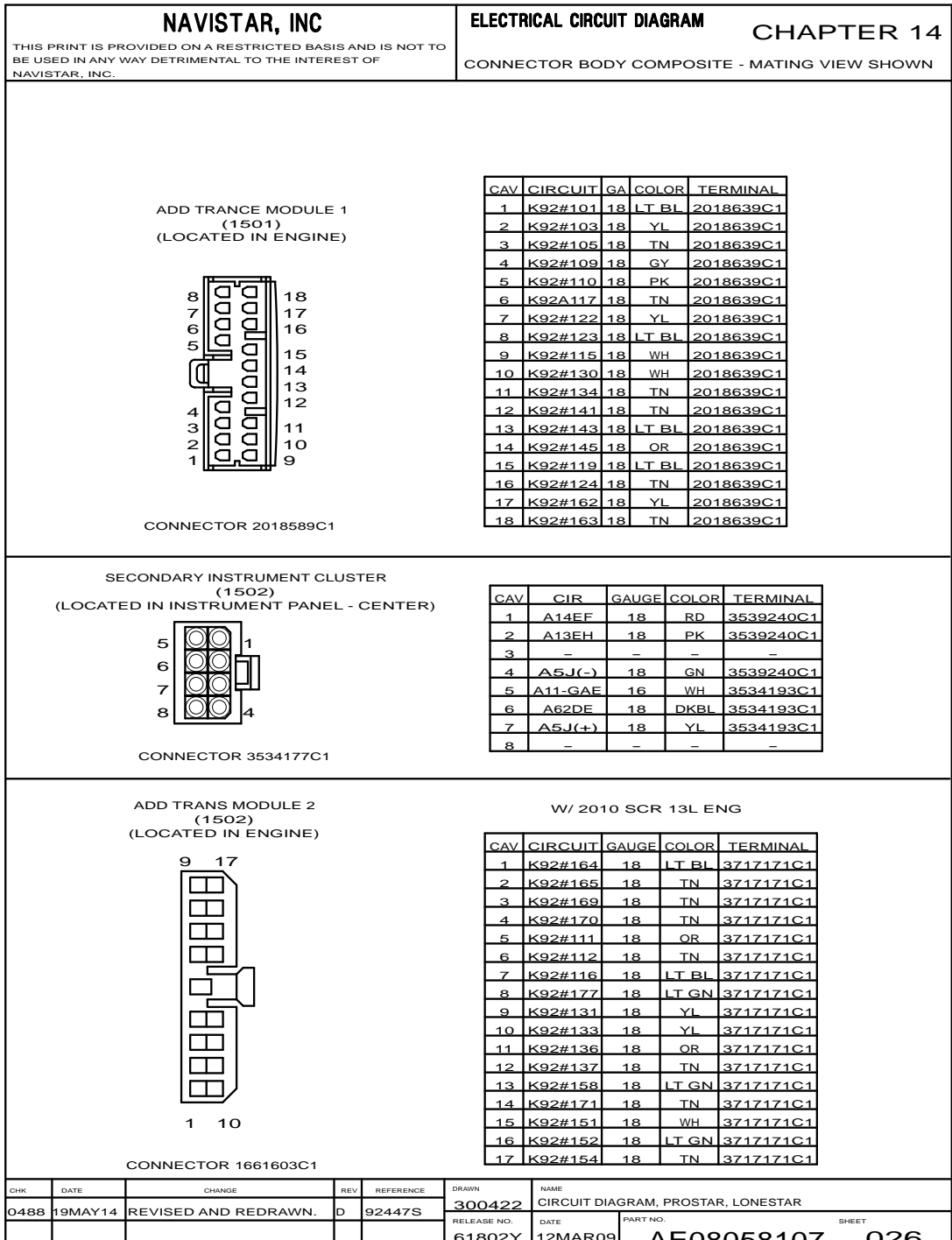


Figure 444 Connector Body Composite (1501), (1502)

14.65. CONNECTOR BODY COMPOSITE (1503), (1510), P. 26A

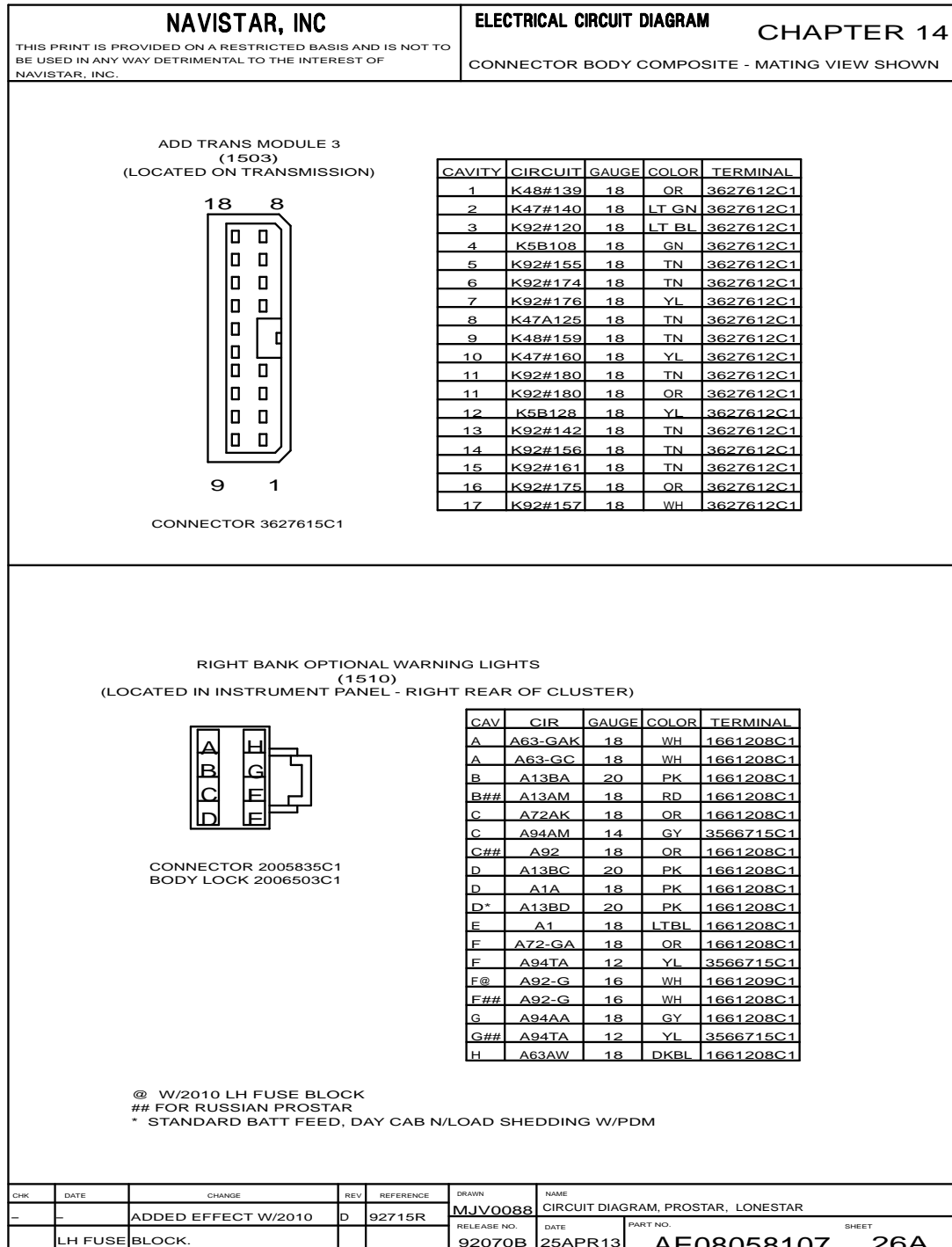


Figure 445 Connector Body Composite (1503), (1510)

14.66. CONNECTOR BODY COMPOSITE (1511), (1512), (1550), (1559), P. 27

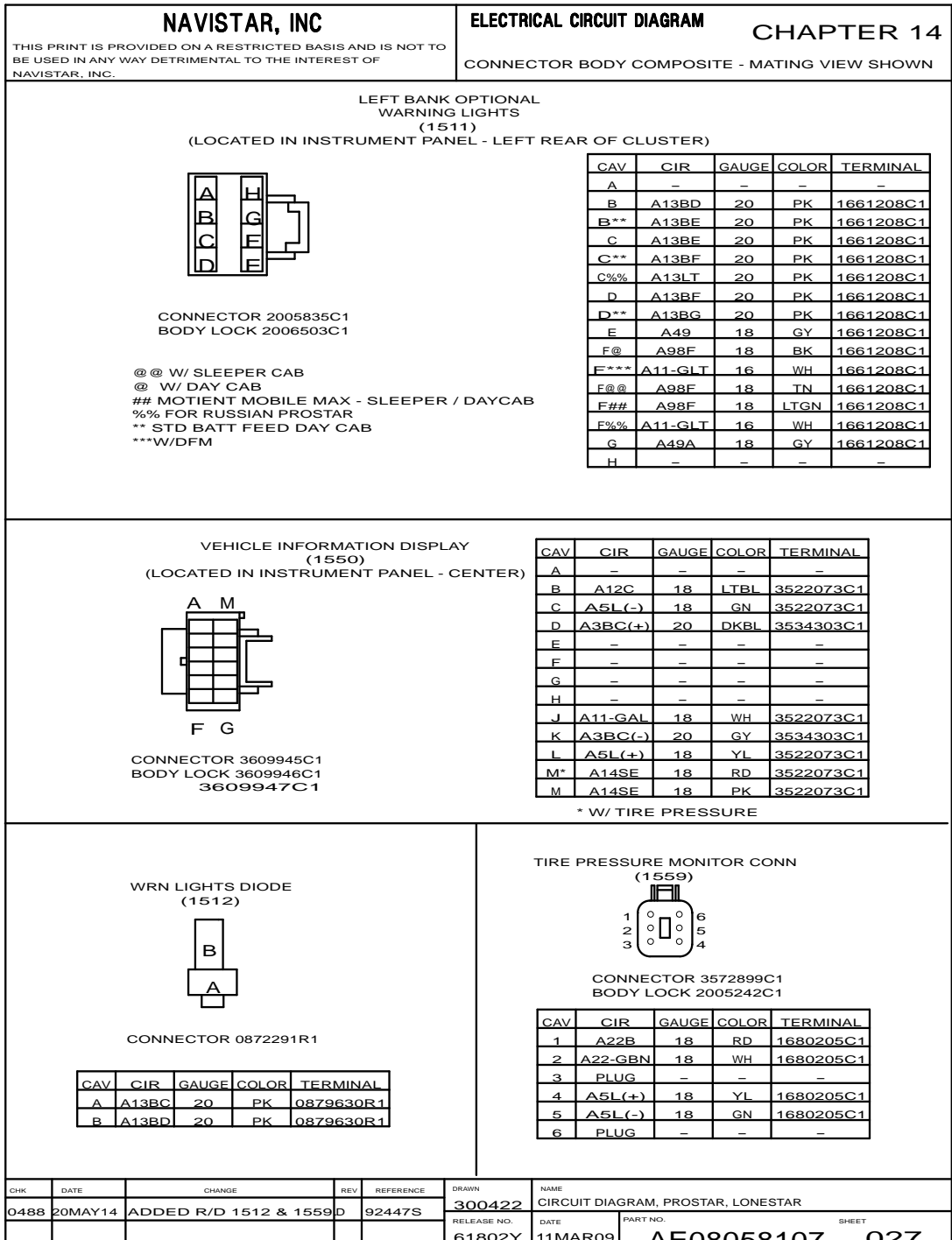


Figure 446 Connector Body Composite (1511), (1512), (1550), (1559)

14.67. CONNECTOR BODY COMPOSITE (1600), P. 28

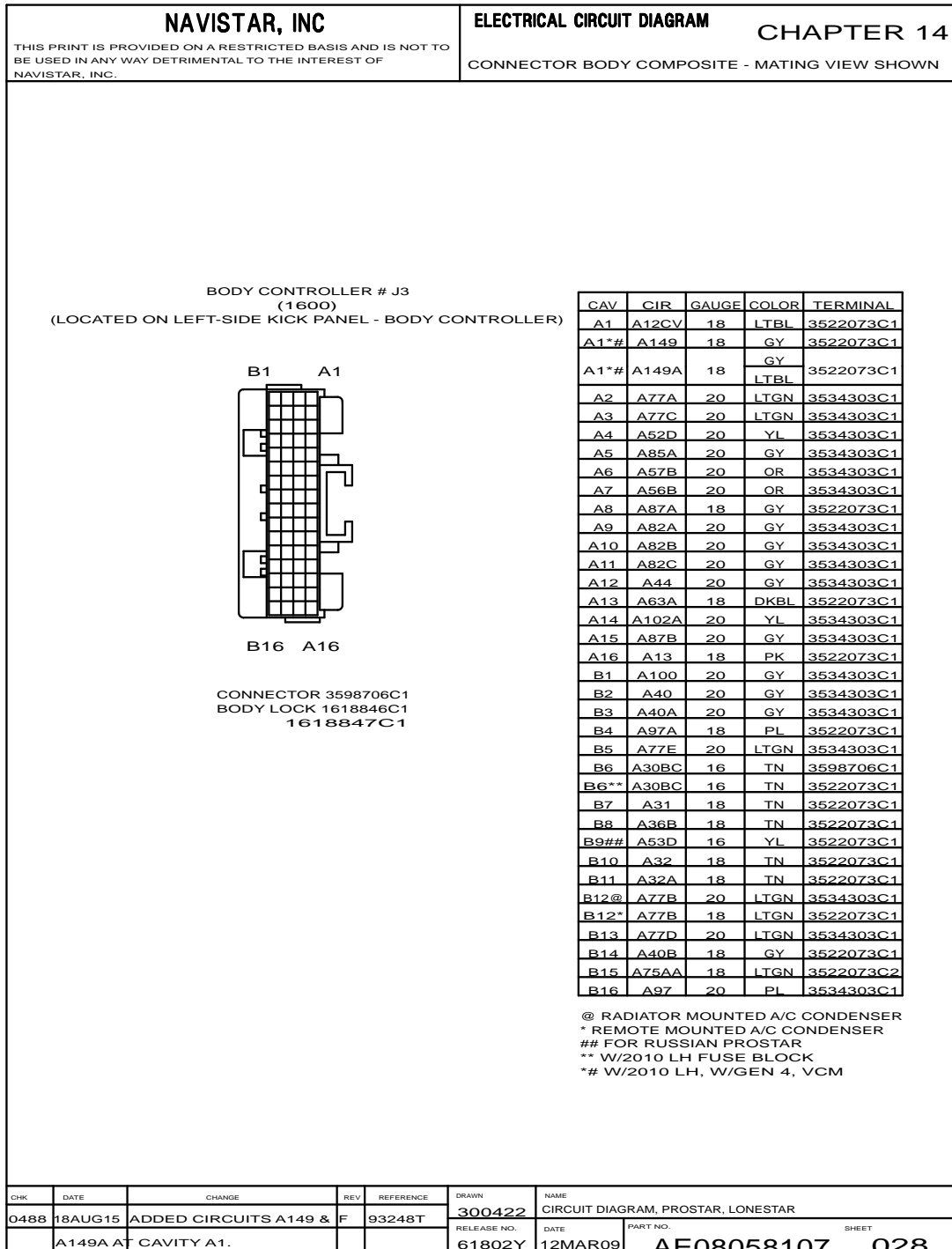


Figure 447 Connector Body Composite (1600)

14.68. CONNECTOR BODY COMPOSITE (1601), P. 29

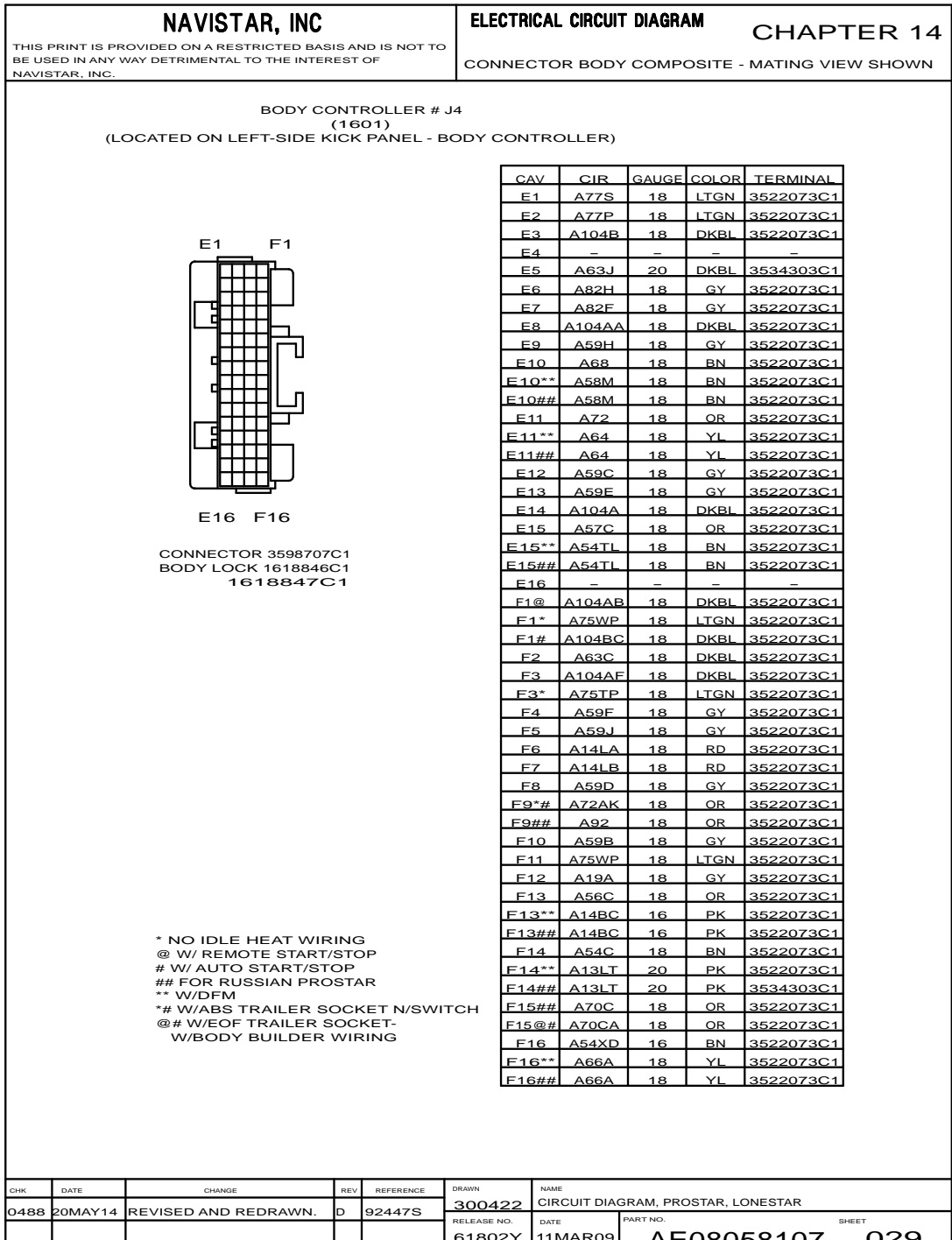


Figure 448 Connector Body Composite (1601)



14.69. CONNECTOR BODY COMPOSITE (1602), P. 30

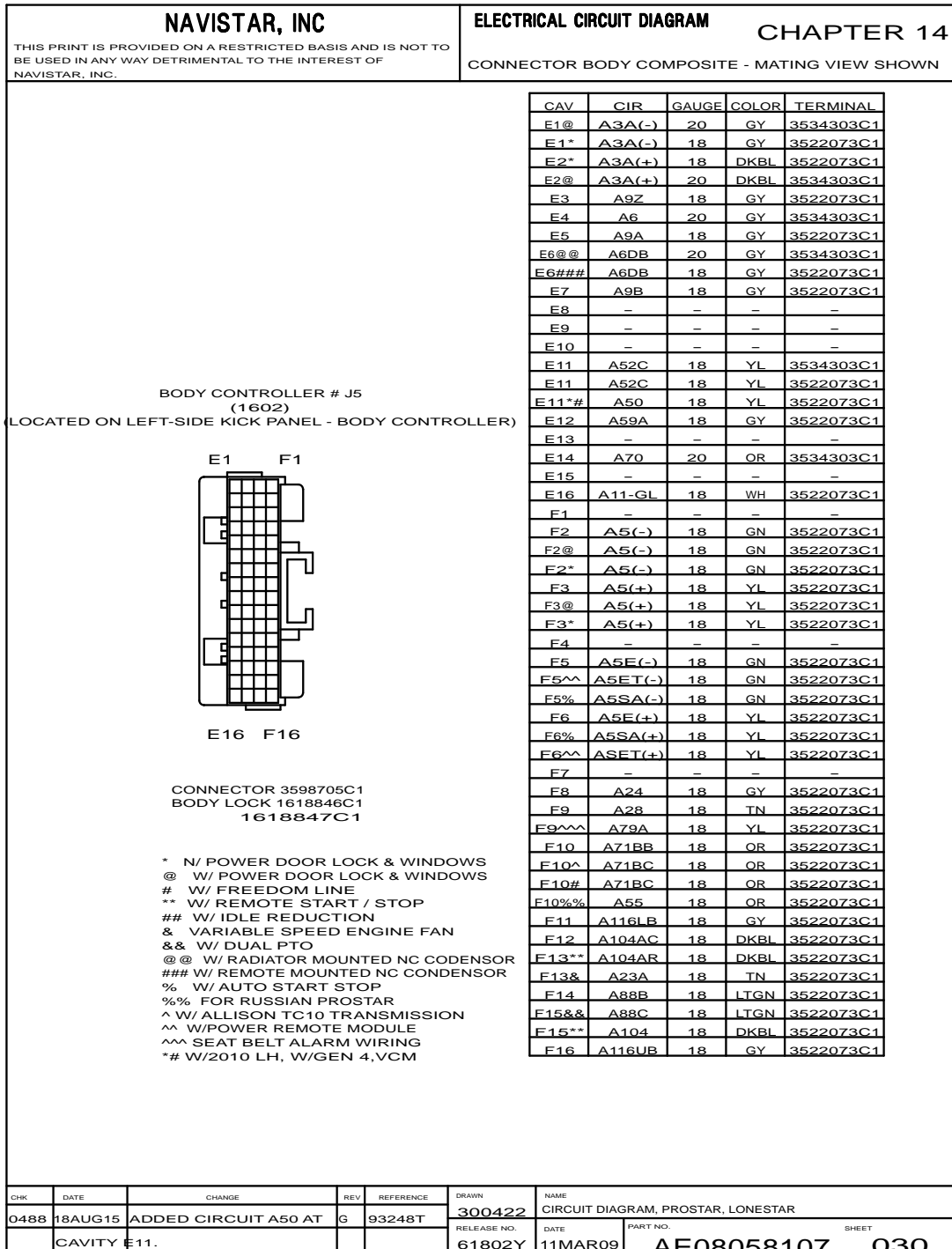


Figure 449 Connector Body Composite (1602)

14.70. CONNECTOR BODY COMPOSITE (1603), (1604), P. 31

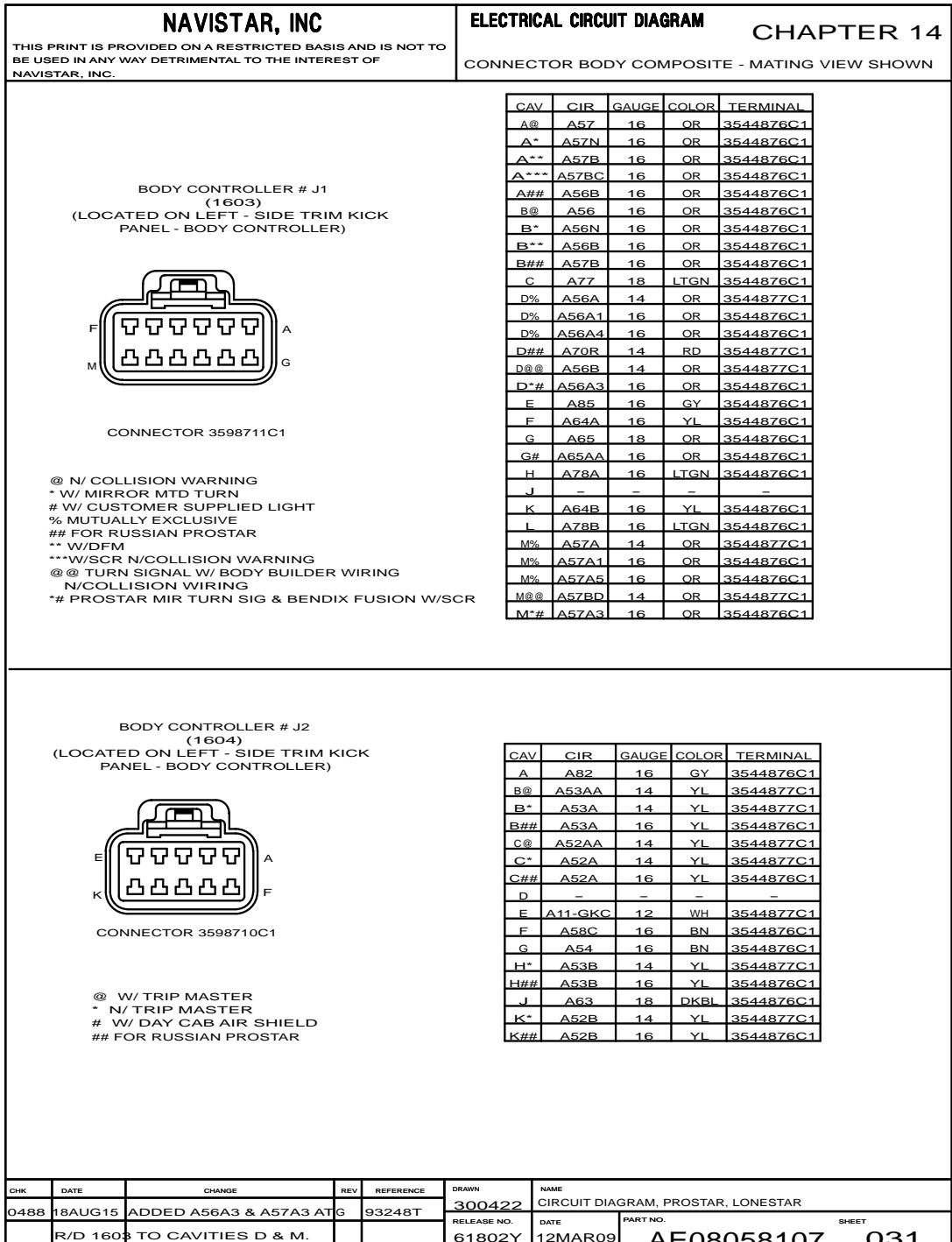


Figure 450 Connector Body Composite (1603), (1604)

14.71. CONNECTOR BODY COMPOSITE (1620), (1650), P. 32

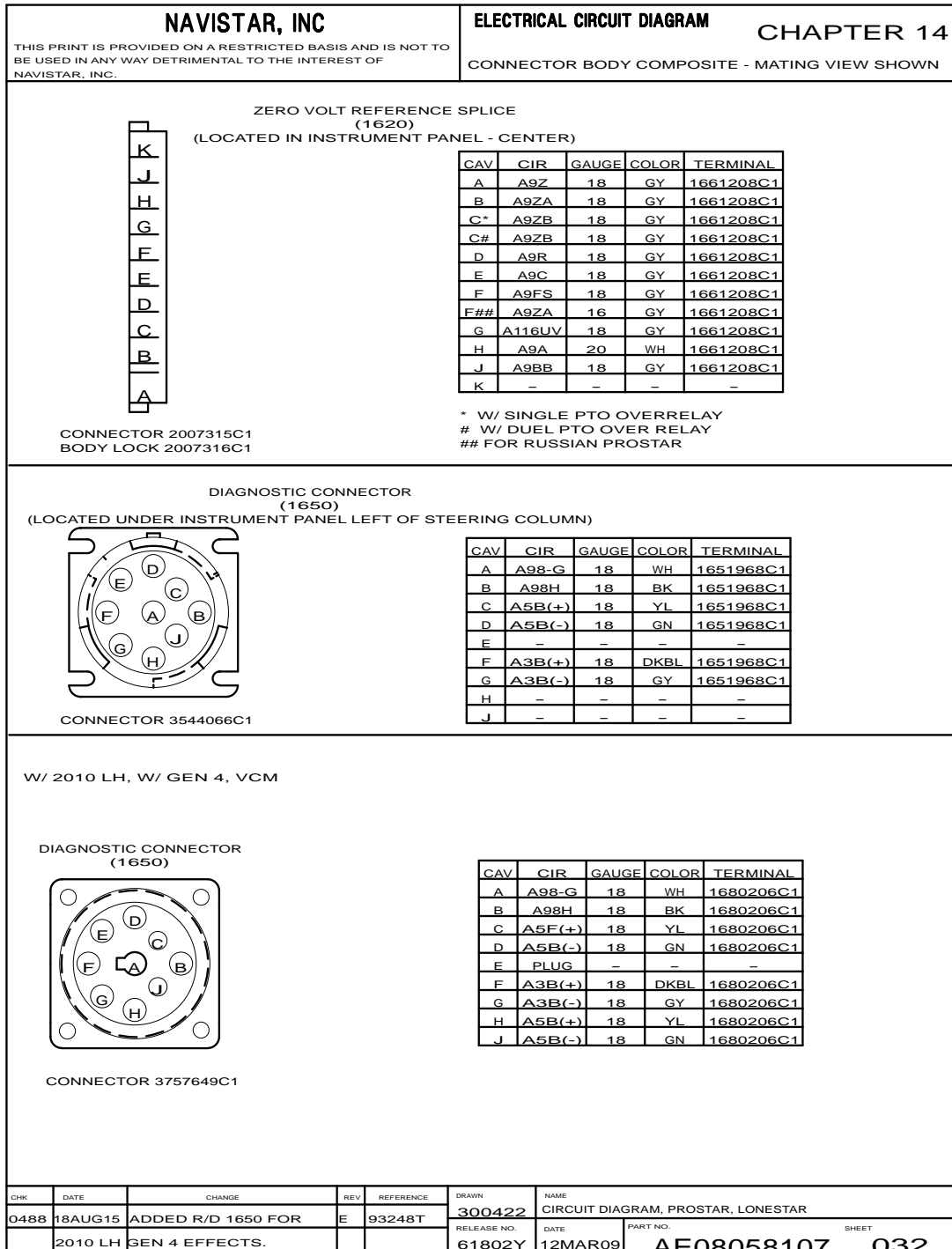


Figure 451 Connector Body Composite (1620), (1650)

14.72. CONNECTOR BODY COMPOSITE (1660), (1661), (1657M), (1657MA), P. 33

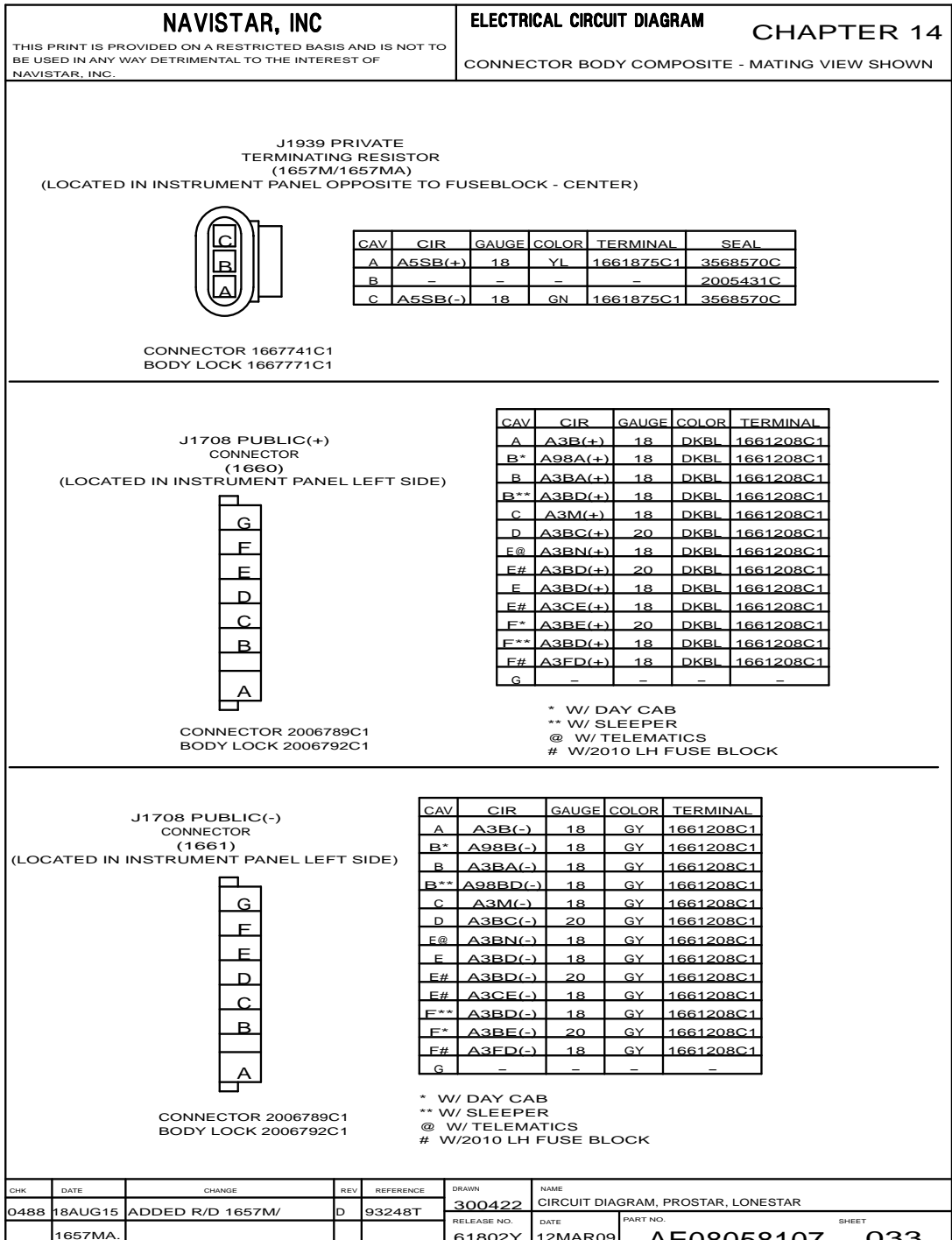


Figure 452 Connector Body Composite (1660), (1661), (1657M), (1657MA)

14.73. CONNECTOR BODY COMPOSITE (1700), P. 34

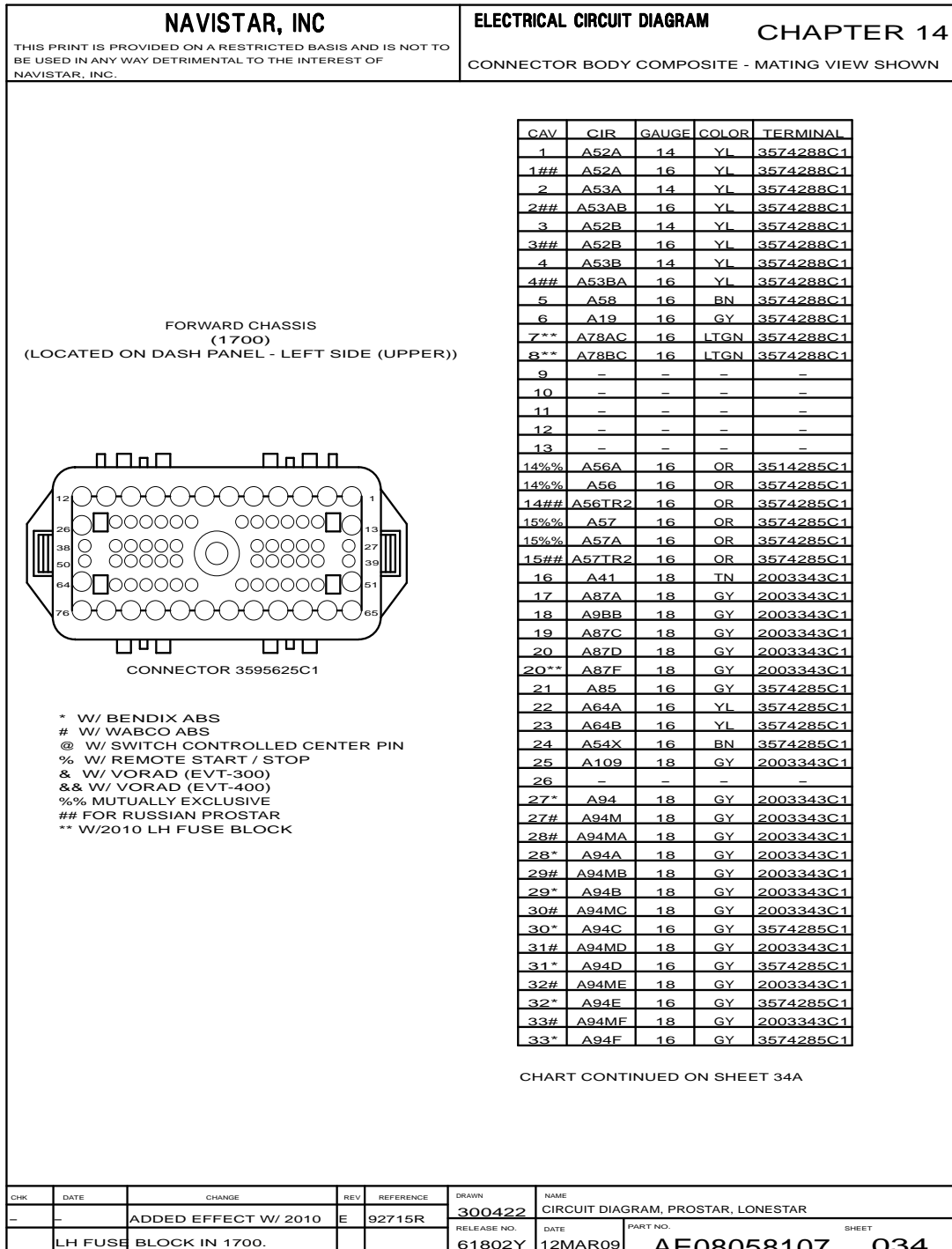


Figure 453 Connector Body Composite (1700)

14.74. CONNECTOR BODY COMPOSITE (1700), P. 34A

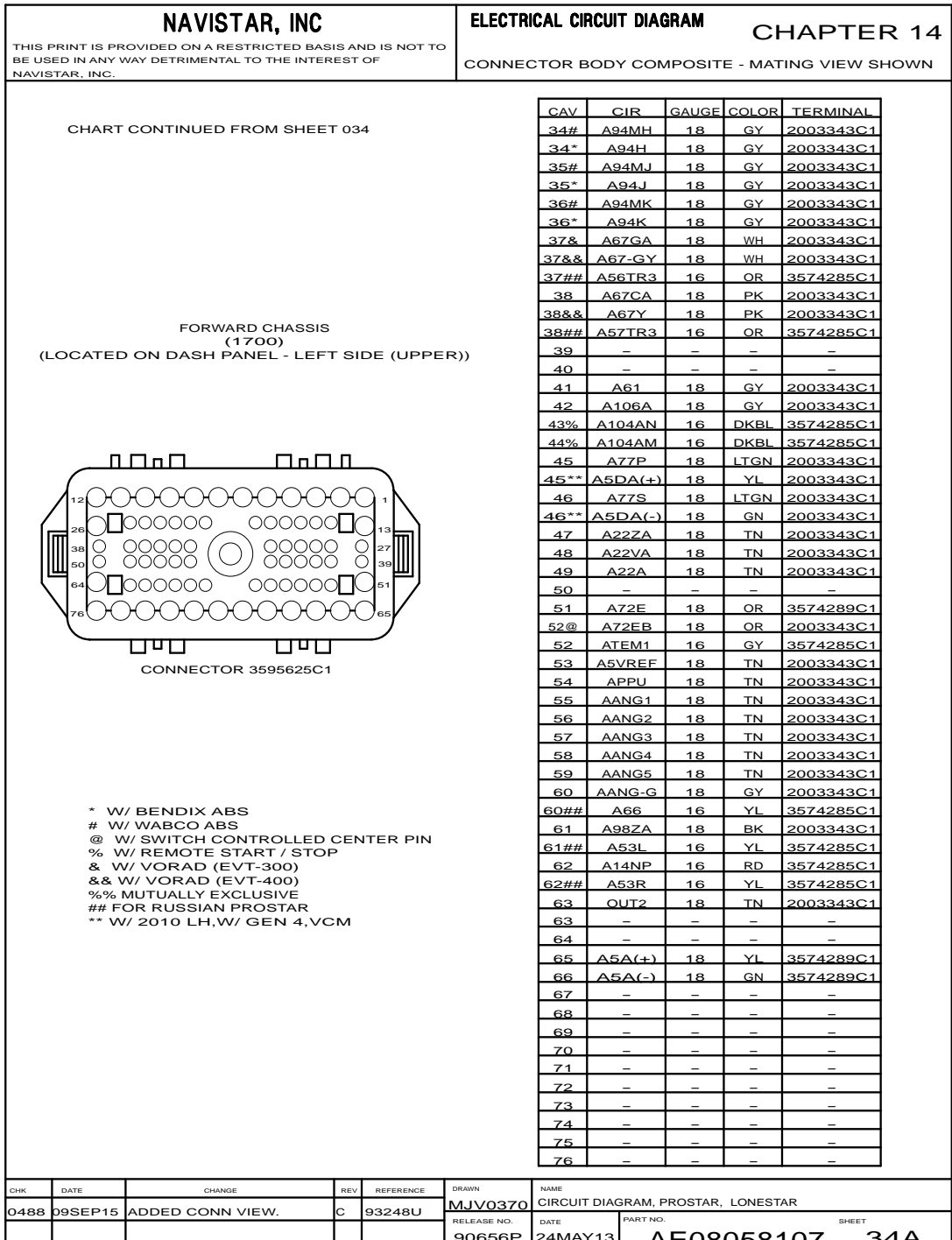


Figure 454 Connector Body Composite (1700)

14.75. CONNECTOR BODY COMPOSITE (1700F), P. 35

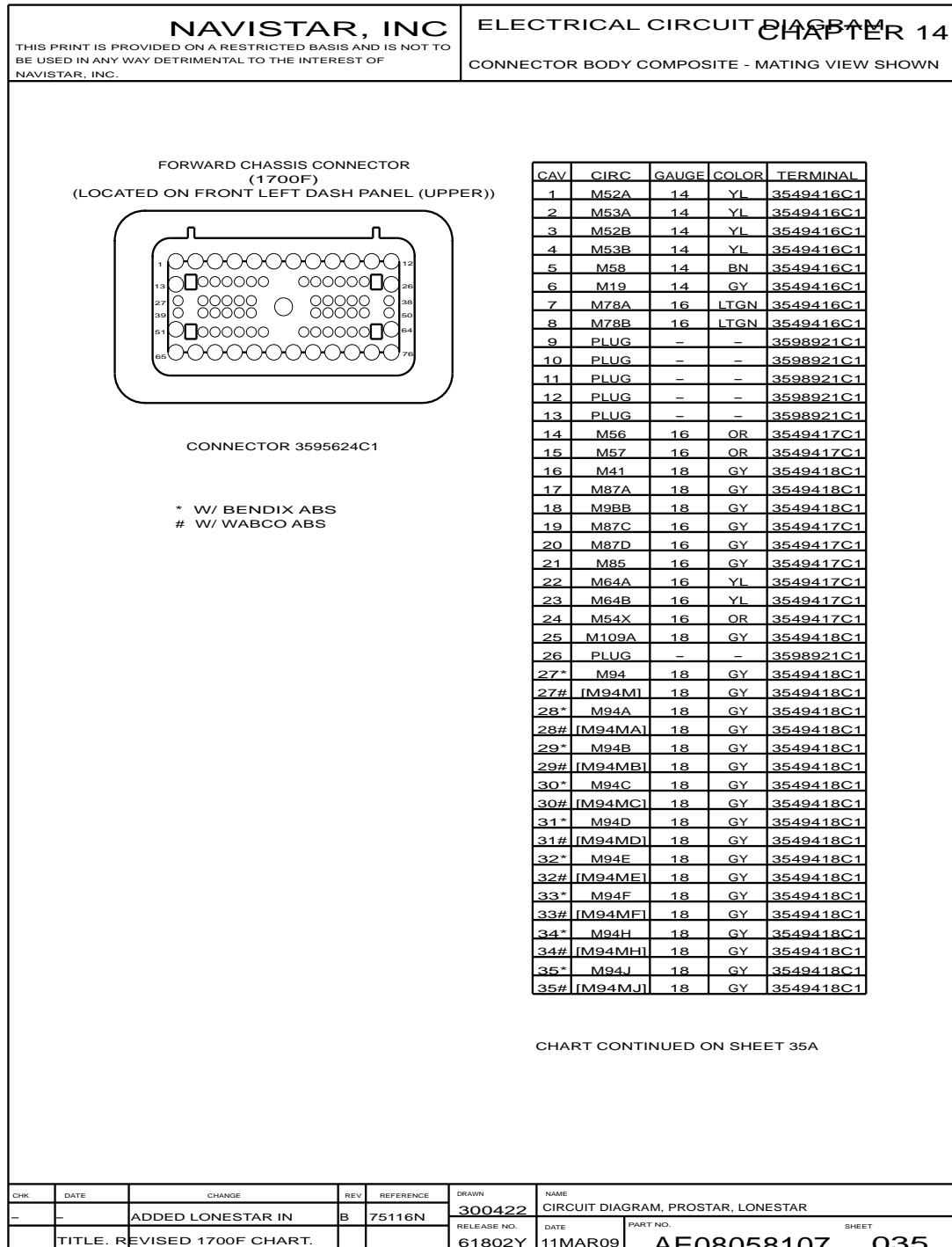


Figure 455 Connector Body Composite (1700F)

14.76. CONNECTOR BODY COMPOSITE (1700F), P. 35A

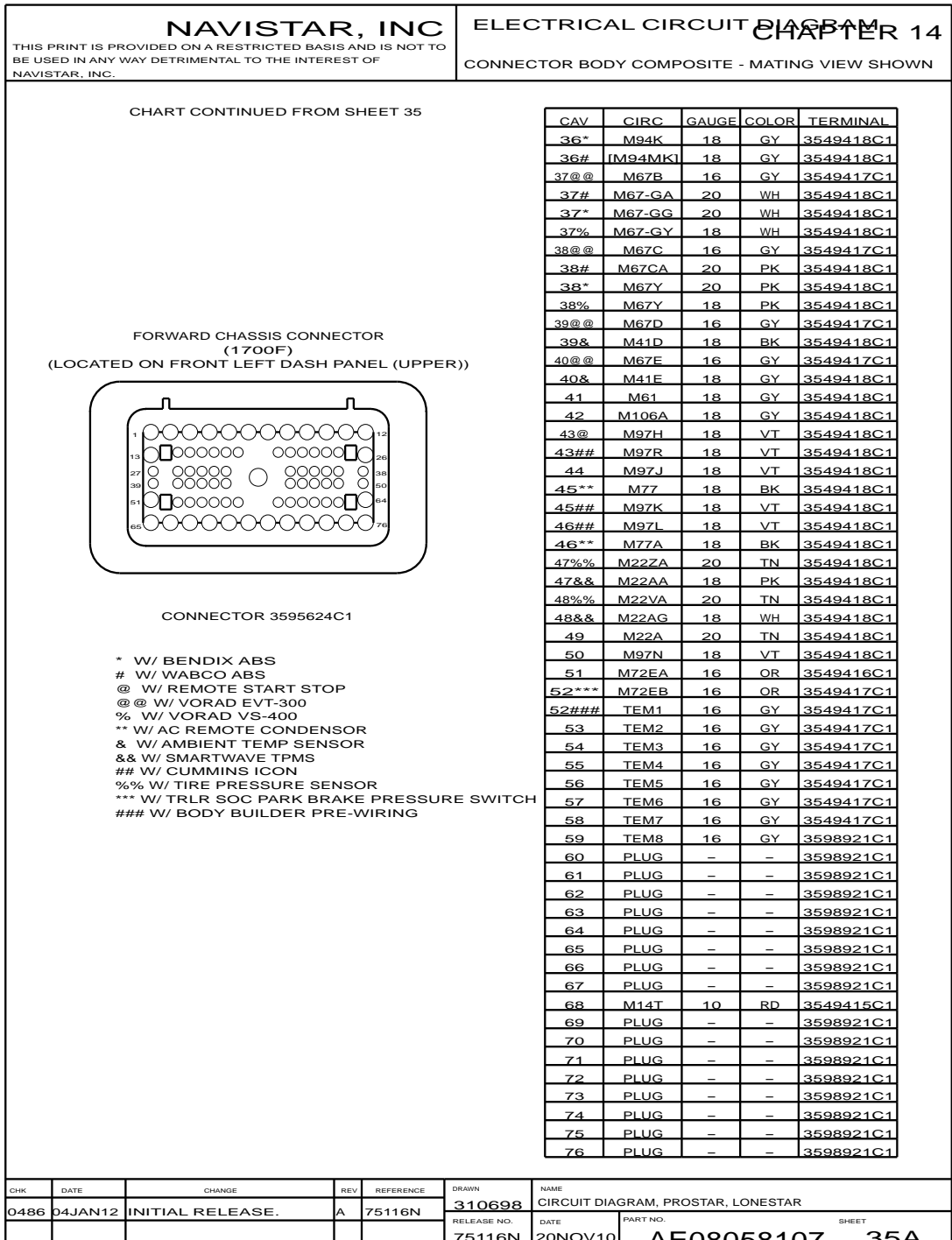


Figure 456 Connector Body Composite (1700F)



14.77. CONNECTOR BODY COMPOSITE (1701), P. 36

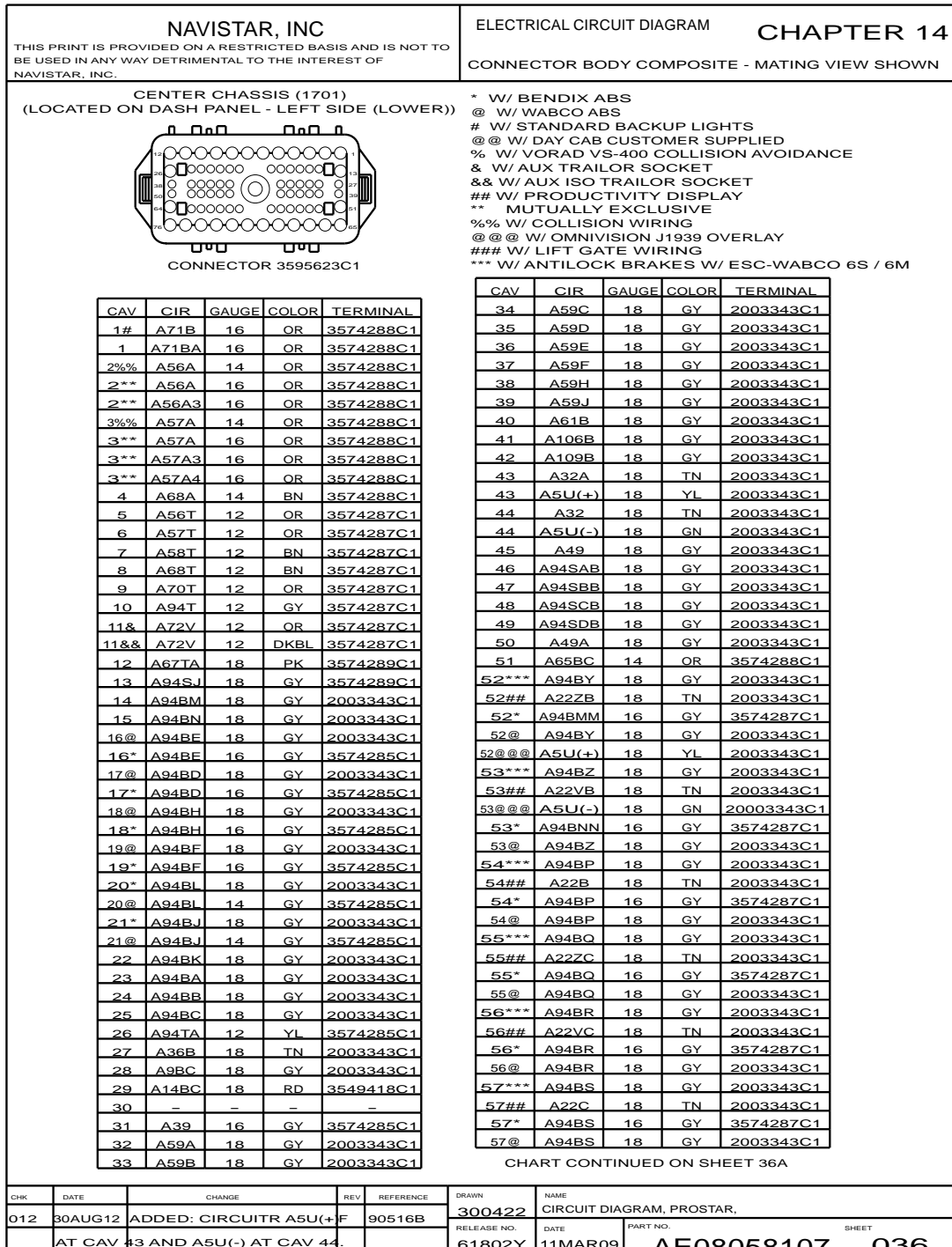


Figure 457 Connector Body Composite (1701)

14.78. CONNECTOR BODY COMPOSITE (1701), P. 36A

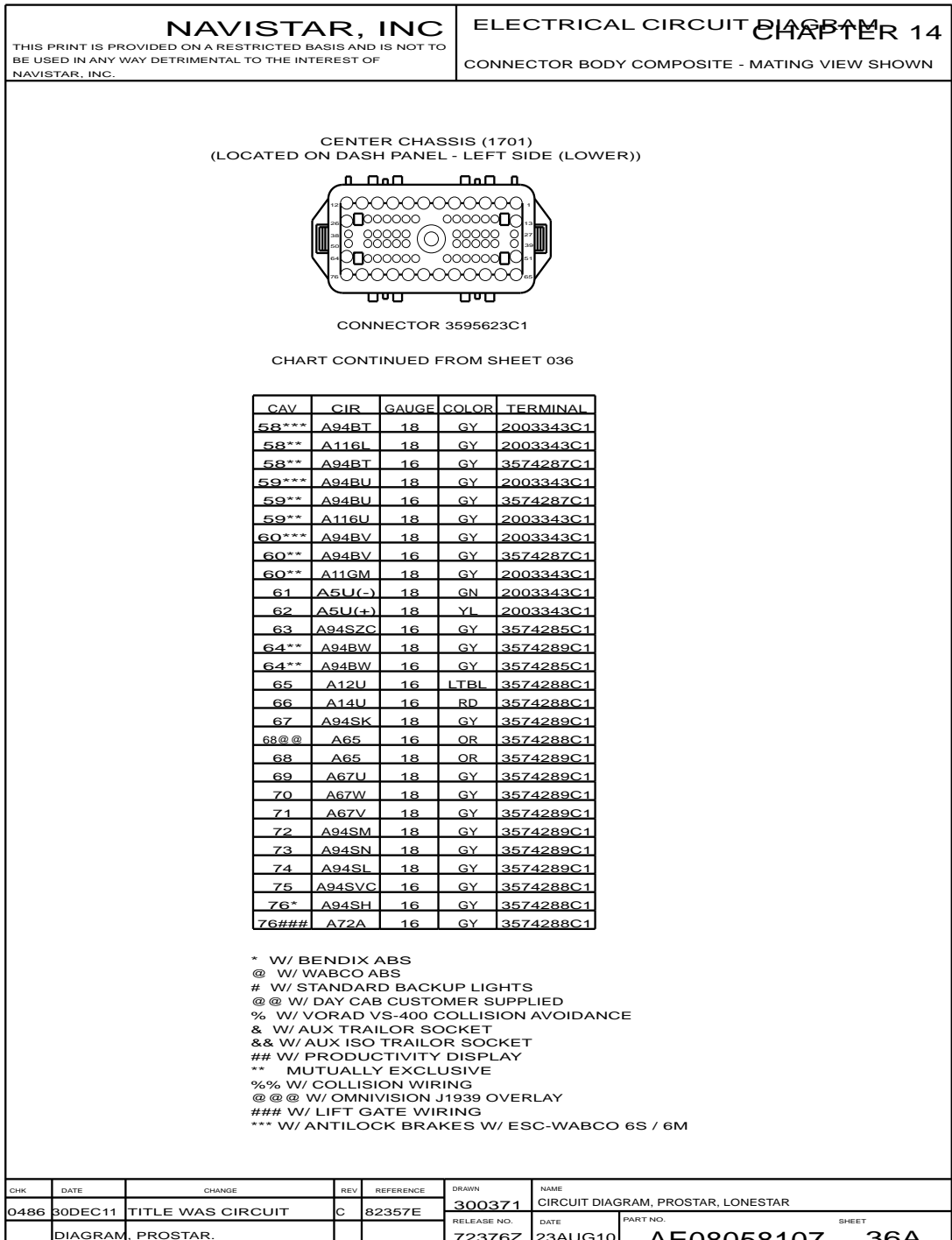


Figure 458 Connector Body Composite (1701)

14.79. CONNECTOR BODY COMPOSITE (1701F), P. 37

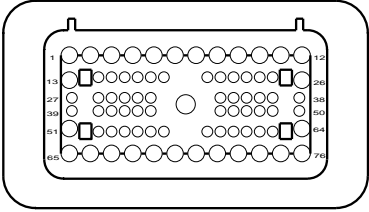
<p><b>NAVISTAR, INC</b></p> <p>THIS PRINT IS PROVIDED ON A RESTRICTED BASIS AND IS NOT TO BE USED IN ANY WAY DETRIMENTAL TO THE INTEREST OF NAVISTAR, INC.</p>	<p><b>ELECTRICAL CIRCUIT DIAGRAM CHAPTER 14</b></p> <p>CONNECTOR BODY COMPOSITE - MATING VIEW SHOWN</p>																																																																																																																																																																																																																																																																																			
<p>CENTER CHASSIS CONNECTOR (1701F) (LOCATED ON FRONT LEFT DASH PANEL (LOWER))</p>																																																																																																																																																																																																																																																																																				
	<table border="1" style="width:100%; border-collapse: collapse;"> <tr><td>38</td><td>N59H</td><td>18</td><td>GY</td><td>3549418C1</td></tr> <tr><td>39</td><td>N59J</td><td>18</td><td>GY</td><td>3549418C1</td></tr> <tr><td>40</td><td>N61B</td><td>18</td><td>GY</td><td>3549418C1</td></tr> <tr><td>41</td><td>N106B</td><td>18</td><td>GY</td><td>3549418C1</td></tr> <tr><td>42</td><td>N109B</td><td>18</td><td>GY</td><td>3549418C1</td></tr> <tr><td>43</td><td>N32A</td><td>18</td><td>TN</td><td>3549418C1</td></tr> <tr><td>44</td><td>N32</td><td>18</td><td>TN</td><td>3549418C1</td></tr> <tr><td>45</td><td>N49</td><td>18</td><td>GY</td><td>3549418C1</td></tr> <tr><td>46</td><td>N94SAB</td><td>18</td><td>GY</td><td>3549418C1</td></tr> <tr><td>47</td><td>N94SBB</td><td>18</td><td>GY</td><td>3549418C1</td></tr> <tr><td>48</td><td>N94SCB</td><td>18</td><td>GY</td><td>3549418C1</td></tr> <tr><td>49</td><td>N94SDB</td><td>18</td><td>GY</td><td>3549418C1</td></tr> <tr><td>50</td><td>N49A</td><td>18</td><td>GY</td><td>3549418C1</td></tr> <tr><td>51</td><td>N65BC</td><td>14</td><td>OR</td><td>3549416C1</td></tr> <tr><td>52</td><td>N22ZB</td><td>18</td><td>TN</td><td>3549418C1</td></tr> <tr><td>52@</td><td>N5UB(+)</td><td>18</td><td>YL</td><td>3549418C1</td></tr> <tr><td>52&amp;</td><td>N94BY</td><td>16</td><td>GY</td><td>3549417C1</td></tr> <tr><td>53</td><td>N22VB</td><td>18</td><td>TN</td><td>3549418C1</td></tr> <tr><td>53@</td><td>N5UB(-)</td><td>18</td><td>GN</td><td>3549418C1</td></tr> <tr><td>53&amp;</td><td>N94BZ</td><td>16</td><td>GY</td><td>3549417C1</td></tr> <tr><td>54</td><td>N22B</td><td>18</td><td>TN</td><td>3549418C1</td></tr> <tr><td>54&amp;</td><td>N94BP</td><td>16</td><td>GY</td><td>3549417C1</td></tr> <tr><td>55</td><td>N22ZC</td><td>18</td><td>TN</td><td>3549418C1</td></tr> <tr><td>55&amp;</td><td>N94BQ</td><td>16</td><td>GY</td><td>3549417C1</td></tr> <tr><td>56</td><td>N22VC</td><td>18</td><td>TN</td><td>3549418C1</td></tr> <tr><td>56&amp;</td><td>N94BR</td><td>16</td><td>GY</td><td>3549417C1</td></tr> <tr><td>57</td><td>N22C</td><td>18</td><td>TN</td><td>3549418C1</td></tr> <tr><td>57&amp;</td><td>N94BS</td><td>16</td><td>GY</td><td>3549417C1</td></tr> <tr><td>58*</td><td>N11-6L</td><td>18</td><td>GY</td><td>3549418C1</td></tr> <tr><td>58&amp;</td><td>N94BT</td><td>16</td><td>GY</td><td>3549417C1</td></tr> <tr><td>59*</td><td>N116U</td><td>18</td><td>GY</td><td>3549418C1</td></tr> <tr><td>59&amp;</td><td>N94BU</td><td>16</td><td>GY</td><td>3549417C1</td></tr> <tr><td>60*</td><td>N116M</td><td>18</td><td>GY</td><td>3549418C1</td></tr> <tr><td>60&amp;</td><td>N94BV</td><td>16</td><td>GY</td><td>3549417C1</td></tr> <tr><td>61</td><td>N5U(-)</td><td>18</td><td>GN</td><td>3549418C1</td></tr> <tr><td>62</td><td>N5U(+)</td><td>18</td><td>YL</td><td>3549418C1</td></tr> <tr><td>63</td><td>N94SZC</td><td>16</td><td>GY</td><td>3549417C1</td></tr> <tr><td>64&amp;</td><td>N94BW</td><td>16</td><td>GY</td><td>3549416C1</td></tr> <tr><td>65%</td><td>N12UA</td><td>16</td><td>PK</td><td>3549416C1</td></tr> <tr><td>65%</td><td>N12U</td><td>16</td><td>PK</td><td>3549416C1</td></tr> <tr><td>66</td><td>N14U</td><td>16</td><td>RD</td><td>3549416C1</td></tr> <tr><td>67</td><td>N94SK</td><td>16</td><td>GY</td><td>3549416C1</td></tr> <tr><td>68</td><td>N65</td><td>16</td><td>OR</td><td>3549416C1</td></tr> <tr><td>69</td><td>N67H</td><td>16</td><td>GY</td><td>3549416C1</td></tr> <tr><td>69*</td><td>N67U</td><td>16</td><td>GY</td><td>3549416C1</td></tr> <tr><td>70</td><td>N67J</td><td>16</td><td>GY</td><td>3549416C1</td></tr> <tr><td>70*</td><td>N67W</td><td>16</td><td>GY</td><td>3549416C1</td></tr> <tr><td>71</td><td>N67K</td><td>16</td><td>GY</td><td>3549416C1</td></tr> <tr><td>71*</td><td>N67V</td><td>16</td><td>GY</td><td>3549416C1</td></tr> <tr><td>72</td><td>N94SM</td><td>16</td><td>GY</td><td>3549416C1</td></tr> <tr><td>73</td><td>N94SN</td><td>16</td><td>GY</td><td>3549416C1</td></tr> <tr><td>74</td><td>N94SL</td><td>16</td><td>GY</td><td>3549416C1</td></tr> <tr><td>75</td><td>N94SVC</td><td>16</td><td>GY</td><td>3549416C1</td></tr> <tr><td>76%</td><td>N94SH</td><td>16</td><td>GY</td><td>3549416C1</td></tr> <tr><td>76%</td><td>N59</td><td>16</td><td>GY</td><td>3549416C1</td></tr> </table>	38	N59H	18	GY	3549418C1	39	N59J	18	GY	3549418C1	40	N61B	18	GY	3549418C1	41	N106B	18	GY	3549418C1	42	N109B	18	GY	3549418C1	43	N32A	18	TN	3549418C1	44	N32	18	TN	3549418C1	45	N49	18	GY	3549418C1	46	N94SAB	18	GY	3549418C1	47	N94SBB	18	GY	3549418C1	48	N94SCB	18	GY	3549418C1	49	N94SDB	18	GY	3549418C1	50	N49A	18	GY	3549418C1	51	N65BC	14	OR	3549416C1	52	N22ZB	18	TN	3549418C1	52@	N5UB(+)	18	YL	3549418C1	52&	N94BY	16	GY	3549417C1	53	N22VB	18	TN	3549418C1	53@	N5UB(-)	18	GN	3549418C1	53&	N94BZ	16	GY	3549417C1	54	N22B	18	TN	3549418C1	54&	N94BP	16	GY	3549417C1	55	N22ZC	18	TN	3549418C1	55&	N94BQ	16	GY	3549417C1	56	N22VC	18	TN	3549418C1	56&	N94BR	16	GY	3549417C1	57	N22C	18	TN	3549418C1	57&	N94BS	16	GY	3549417C1	58*	N11-6L	18	GY	3549418C1	58&	N94BT	16	GY	3549417C1	59*	N116U	18	GY	3549418C1	59&	N94BU	16	GY	3549417C1	60*	N116M	18	GY	3549418C1	60&	N94BV	16	GY	3549417C1	61	N5U(-)	18	GN	3549418C1	62	N5U(+)	18	YL	3549418C1	63	N94SZC	16	GY	3549417C1	64&	N94BW	16	GY	3549416C1	65%	N12UA	16	PK	3549416C1	65%	N12U	16	PK	3549416C1	66	N14U	16	RD	3549416C1	67	N94SK	16	GY	3549416C1	68	N65	16	OR	3549416C1	69	N67H	16	GY	3549416C1	69*	N67U	16	GY	3549416C1	70	N67J	16	GY	3549416C1	70*	N67W	16	GY	3549416C1	71	N67K	16	GY	3549416C1	71*	N67V	16	GY	3549416C1	72	N94SM	16	GY	3549416C1	73	N94SN	16	GY	3549416C1	74	N94SL	16	GY	3549416C1	75	N94SVC	16	GY	3549416C1	76%	N94SH	16	GY	3549416C1	76%	N59	16	GY	3549416C1
38	N59H	18	GY	3549418C1																																																																																																																																																																																																																																																																																
39	N59J	18	GY	3549418C1																																																																																																																																																																																																																																																																																
40	N61B	18	GY	3549418C1																																																																																																																																																																																																																																																																																
41	N106B	18	GY	3549418C1																																																																																																																																																																																																																																																																																
42	N109B	18	GY	3549418C1																																																																																																																																																																																																																																																																																
43	N32A	18	TN	3549418C1																																																																																																																																																																																																																																																																																
44	N32	18	TN	3549418C1																																																																																																																																																																																																																																																																																
45	N49	18	GY	3549418C1																																																																																																																																																																																																																																																																																
46	N94SAB	18	GY	3549418C1																																																																																																																																																																																																																																																																																
47	N94SBB	18	GY	3549418C1																																																																																																																																																																																																																																																																																
48	N94SCB	18	GY	3549418C1																																																																																																																																																																																																																																																																																
49	N94SDB	18	GY	3549418C1																																																																																																																																																																																																																																																																																
50	N49A	18	GY	3549418C1																																																																																																																																																																																																																																																																																
51	N65BC	14	OR	3549416C1																																																																																																																																																																																																																																																																																
52	N22ZB	18	TN	3549418C1																																																																																																																																																																																																																																																																																
52@	N5UB(+)	18	YL	3549418C1																																																																																																																																																																																																																																																																																
52&	N94BY	16	GY	3549417C1																																																																																																																																																																																																																																																																																
53	N22VB	18	TN	3549418C1																																																																																																																																																																																																																																																																																
53@	N5UB(-)	18	GN	3549418C1																																																																																																																																																																																																																																																																																
53&	N94BZ	16	GY	3549417C1																																																																																																																																																																																																																																																																																
54	N22B	18	TN	3549418C1																																																																																																																																																																																																																																																																																
54&	N94BP	16	GY	3549417C1																																																																																																																																																																																																																																																																																
55	N22ZC	18	TN	3549418C1																																																																																																																																																																																																																																																																																
55&	N94BQ	16	GY	3549417C1																																																																																																																																																																																																																																																																																
56	N22VC	18	TN	3549418C1																																																																																																																																																																																																																																																																																
56&	N94BR	16	GY	3549417C1																																																																																																																																																																																																																																																																																
57	N22C	18	TN	3549418C1																																																																																																																																																																																																																																																																																
57&	N94BS	16	GY	3549417C1																																																																																																																																																																																																																																																																																
58*	N11-6L	18	GY	3549418C1																																																																																																																																																																																																																																																																																
58&	N94BT	16	GY	3549417C1																																																																																																																																																																																																																																																																																
59*	N116U	18	GY	3549418C1																																																																																																																																																																																																																																																																																
59&	N94BU	16	GY	3549417C1																																																																																																																																																																																																																																																																																
60*	N116M	18	GY	3549418C1																																																																																																																																																																																																																																																																																
60&	N94BV	16	GY	3549417C1																																																																																																																																																																																																																																																																																
61	N5U(-)	18	GN	3549418C1																																																																																																																																																																																																																																																																																
62	N5U(+)	18	YL	3549418C1																																																																																																																																																																																																																																																																																
63	N94SZC	16	GY	3549417C1																																																																																																																																																																																																																																																																																
64&	N94BW	16	GY	3549416C1																																																																																																																																																																																																																																																																																
65%	N12UA	16	PK	3549416C1																																																																																																																																																																																																																																																																																
65%	N12U	16	PK	3549416C1																																																																																																																																																																																																																																																																																
66	N14U	16	RD	3549416C1																																																																																																																																																																																																																																																																																
67	N94SK	16	GY	3549416C1																																																																																																																																																																																																																																																																																
68	N65	16	OR	3549416C1																																																																																																																																																																																																																																																																																
69	N67H	16	GY	3549416C1																																																																																																																																																																																																																																																																																
69*	N67U	16	GY	3549416C1																																																																																																																																																																																																																																																																																
70	N67J	16	GY	3549416C1																																																																																																																																																																																																																																																																																
70*	N67W	16	GY	3549416C1																																																																																																																																																																																																																																																																																
71	N67K	16	GY	3549416C1																																																																																																																																																																																																																																																																																
71*	N67V	16	GY	3549416C1																																																																																																																																																																																																																																																																																
72	N94SM	16	GY	3549416C1																																																																																																																																																																																																																																																																																
73	N94SN	16	GY	3549416C1																																																																																																																																																																																																																																																																																
74	N94SL	16	GY	3549416C1																																																																																																																																																																																																																																																																																
75	N94SVC	16	GY	3549416C1																																																																																																																																																																																																																																																																																
76%	N94SH	16	GY	3549416C1																																																																																																																																																																																																																																																																																
76%	N59	16	GY	3549416C1																																																																																																																																																																																																																																																																																
<p>CONNECTOR 3595622C1</p> <table border="1" style="width:100%; border-collapse: collapse;"> <thead> <tr> <th>CAV</th> <th>CIR</th> <th>GAUGE</th> <th>COLOR</th> <th>TERMINAL</th> </tr> </thead> <tbody> <tr><td>1</td><td>N71BA</td><td>14</td><td>OR</td><td>3549416C1</td></tr> <tr><td>2</td><td>N56A</td><td>14</td><td>OR</td><td>3549416C1</td></tr> <tr><td>3</td><td>N57A</td><td>14</td><td>OR</td><td>3549416C1</td></tr> <tr><td>4</td><td>N68A</td><td>14</td><td>BN</td><td>3549416C1</td></tr> <tr><td>5</td><td>N56T</td><td>10</td><td>YL</td><td>3549415C1</td></tr> <tr><td>6</td><td>N57T</td><td>10</td><td>LTGN</td><td>3549415C1</td></tr> <tr><td>7</td><td>N58T</td><td>10</td><td>BK</td><td>3549415C1</td></tr> <tr><td>8</td><td>N68T</td><td>10</td><td>BN</td><td>3549415C1</td></tr> <tr><td>9</td><td>N70T</td><td>10</td><td>RD</td><td>3549415C1</td></tr> <tr><td>10</td><td>N94T</td><td>10</td><td>DKBL</td><td>3549415C1</td></tr> <tr><td>11</td><td>N72V</td><td>12</td><td>DKBL</td><td>3549415C1</td></tr> <tr><td>11##</td><td>N72V</td><td>10</td><td>DKBL</td><td>3549415C1</td></tr> <tr><td>12</td><td>N67TA</td><td>16</td><td>PK</td><td>3549416C1</td></tr> <tr><td>13</td><td>N94SJ</td><td>16</td><td>GY</td><td>3549416C1</td></tr> <tr><td>14</td><td>N94BM</td><td>16</td><td>GY</td><td>3549417C1</td></tr> <tr><td>15</td><td>N94BN</td><td>16</td><td>GY</td><td>3549417C1</td></tr> <tr><td>16</td><td>N94BE</td><td>16</td><td>GY</td><td>3549417C1</td></tr> <tr><td>17</td><td>N94BD</td><td>16</td><td>GY</td><td>3549417C1</td></tr> <tr><td>18</td><td>N94BH</td><td>16</td><td>GY</td><td>3549417C1</td></tr> <tr><td>19</td><td>N94BF</td><td>16</td><td>GY</td><td>3549417C1</td></tr> <tr><td>20</td><td>N94BL</td><td>14</td><td>GY</td><td>3549417C1</td></tr> <tr><td>21</td><td>N94BJ</td><td>14</td><td>GY</td><td>3549417C1</td></tr> <tr><td>22</td><td>N94BK</td><td>16</td><td>GY</td><td>3549417C1</td></tr> <tr><td>23</td><td>N94BA</td><td>16</td><td>GY</td><td>3549417C1</td></tr> <tr><td>24</td><td>N94BB</td><td>16</td><td>GY</td><td>3549417C1</td></tr> <tr><td>25</td><td>N94BC</td><td>16</td><td>GY</td><td>3549417C1</td></tr> <tr><td>26##</td><td>N94TA</td><td>12</td><td>YL</td><td>3549415C1</td></tr> <tr><td>27%</td><td>N36B</td><td>18</td><td>TN</td><td>3549418C1</td></tr> <tr><td>27%</td><td>N36A</td><td>18</td><td>TN</td><td>3549418C1</td></tr> <tr><td>28</td><td>N9BC</td><td>18</td><td>GY</td><td>3549418C1</td></tr> <tr><td>29</td><td>N36A</td><td>18</td><td>RD</td><td>3549418C1</td></tr> <tr><td>29***</td><td>N104A</td><td>18</td><td>DKBL</td><td>3549418C1</td></tr> <tr><td>29@</td><td>N104B</td><td>18</td><td>DKBL</td><td>3549418C1</td></tr> <tr><td>29@@@</td><td>N104C</td><td>18</td><td>DKBL</td><td>3549418C1</td></tr> <tr><td>30</td><td>N36A</td><td>19</td><td>TN</td><td>3549418C1</td></tr> <tr><td>30#</td><td>N37A</td><td>18</td><td>TN</td><td>3549418C1</td></tr> <tr><td>30%%</td><td>N39</td><td>18</td><td>GY</td><td>3549418C1</td></tr> <tr><td>31</td><td>N39</td><td>16</td><td>GY</td><td>3549417C1</td></tr> <tr><td>32</td><td>N59A</td><td>18</td><td>GY</td><td>3549418C1</td></tr> <tr><td>33</td><td>N59B</td><td>18</td><td>GY</td><td>3549418C1</td></tr> <tr><td>34</td><td>N59C</td><td>18</td><td>GY</td><td>3549418C1</td></tr> <tr><td>35</td><td>N59D</td><td>18</td><td>GY</td><td>3549418C1</td></tr> <tr><td>36</td><td>N59E</td><td>18</td><td>GY</td><td>3549418C1</td></tr> <tr><td>37</td><td>N59F</td><td>18</td><td>GY</td><td>3549418C1</td></tr> </tbody> </table>	CAV	CIR	GAUGE	COLOR	TERMINAL	1	N71BA	14	OR	3549416C1	2	N56A	14	OR	3549416C1	3	N57A	14	OR	3549416C1	4	N68A	14	BN	3549416C1	5	N56T	10	YL	3549415C1	6	N57T	10	LTGN	3549415C1	7	N58T	10	BK	3549415C1	8	N68T	10	BN	3549415C1	9	N70T	10	RD	3549415C1	10	N94T	10	DKBL	3549415C1	11	N72V	12	DKBL	3549415C1	11##	N72V	10	DKBL	3549415C1	12	N67TA	16	PK	3549416C1	13	N94SJ	16	GY	3549416C1	14	N94BM	16	GY	3549417C1	15	N94BN	16	GY	3549417C1	16	N94BE	16	GY	3549417C1	17	N94BD	16	GY	3549417C1	18	N94BH	16	GY	3549417C1	19	N94BF	16	GY	3549417C1	20	N94BL	14	GY	3549417C1	21	N94BJ	14	GY	3549417C1	22	N94BK	16	GY	3549417C1	23	N94BA	16	GY	3549417C1	24	N94BB	16	GY	3549417C1	25	N94BC	16	GY	3549417C1	26##	N94TA	12	YL	3549415C1	27%	N36B	18	TN	3549418C1	27%	N36A	18	TN	3549418C1	28	N9BC	18	GY	3549418C1	29	N36A	18	RD	3549418C1	29***	N104A	18	DKBL	3549418C1	29@	N104B	18	DKBL	3549418C1	29@@@	N104C	18	DKBL	3549418C1	30	N36A	19	TN	3549418C1	30#	N37A	18	TN	3549418C1	30%%	N39	18	GY	3549418C1	31	N39	16	GY	3549417C1	32	N59A	18	GY	3549418C1	33	N59B	18	GY	3549418C1	34	N59C	18	GY	3549418C1	35	N59D	18	GY	3549418C1	36	N59E	18	GY	3549418C1	37	N59F	18	GY	3549418C1	<p>* W/ 5TH WHEEL JAW LOCK SENSOR ## W/ TRAILER SOCKET W/ ISO &amp; W/ CHANNEL ABS W/ ATC &amp;&amp; W/ NO FUEL FILTER SENSOR W/ VSM % MUTUALLY EXCLUSIVE W/ DUAL UNCAB &amp; BOC # FUEL TANKS %% W/ HEATED DRAIN VALVE @ W/ OMNIVISION J1939 ** W/ AUTO START/ STOP ***W/ LSM BOC BTRY BOX @@ W/ LSM UC BTRY BOX @@@W/ RSM UC BTRY BOX</p>																																																		
CAV	CIR	GAUGE	COLOR	TERMINAL																																																																																																																																																																																																																																																																																
1	N71BA	14	OR	3549416C1																																																																																																																																																																																																																																																																																
2	N56A	14	OR	3549416C1																																																																																																																																																																																																																																																																																
3	N57A	14	OR	3549416C1																																																																																																																																																																																																																																																																																
4	N68A	14	BN	3549416C1																																																																																																																																																																																																																																																																																
5	N56T	10	YL	3549415C1																																																																																																																																																																																																																																																																																
6	N57T	10	LTGN	3549415C1																																																																																																																																																																																																																																																																																
7	N58T	10	BK	3549415C1																																																																																																																																																																																																																																																																																
8	N68T	10	BN	3549415C1																																																																																																																																																																																																																																																																																
9	N70T	10	RD	3549415C1																																																																																																																																																																																																																																																																																
10	N94T	10	DKBL	3549415C1																																																																																																																																																																																																																																																																																
11	N72V	12	DKBL	3549415C1																																																																																																																																																																																																																																																																																
11##	N72V	10	DKBL	3549415C1																																																																																																																																																																																																																																																																																
12	N67TA	16	PK	3549416C1																																																																																																																																																																																																																																																																																
13	N94SJ	16	GY	3549416C1																																																																																																																																																																																																																																																																																
14	N94BM	16	GY	3549417C1																																																																																																																																																																																																																																																																																
15	N94BN	16	GY	3549417C1																																																																																																																																																																																																																																																																																
16	N94BE	16	GY	3549417C1																																																																																																																																																																																																																																																																																
17	N94BD	16	GY	3549417C1																																																																																																																																																																																																																																																																																
18	N94BH	16	GY	3549417C1																																																																																																																																																																																																																																																																																
19	N94BF	16	GY	3549417C1																																																																																																																																																																																																																																																																																
20	N94BL	14	GY	3549417C1																																																																																																																																																																																																																																																																																
21	N94BJ	14	GY	3549417C1																																																																																																																																																																																																																																																																																
22	N94BK	16	GY	3549417C1																																																																																																																																																																																																																																																																																
23	N94BA	16	GY	3549417C1																																																																																																																																																																																																																																																																																
24	N94BB	16	GY	3549417C1																																																																																																																																																																																																																																																																																
25	N94BC	16	GY	3549417C1																																																																																																																																																																																																																																																																																
26##	N94TA	12	YL	3549415C1																																																																																																																																																																																																																																																																																
27%	N36B	18	TN	3549418C1																																																																																																																																																																																																																																																																																
27%	N36A	18	TN	3549418C1																																																																																																																																																																																																																																																																																
28	N9BC	18	GY	3549418C1																																																																																																																																																																																																																																																																																
29	N36A	18	RD	3549418C1																																																																																																																																																																																																																																																																																
29***	N104A	18	DKBL	3549418C1																																																																																																																																																																																																																																																																																
29@	N104B	18	DKBL	3549418C1																																																																																																																																																																																																																																																																																
29@@@	N104C	18	DKBL	3549418C1																																																																																																																																																																																																																																																																																
30	N36A	19	TN	3549418C1																																																																																																																																																																																																																																																																																
30#	N37A	18	TN	3549418C1																																																																																																																																																																																																																																																																																
30%%	N39	18	GY	3549418C1																																																																																																																																																																																																																																																																																
31	N39	16	GY	3549417C1																																																																																																																																																																																																																																																																																
32	N59A	18	GY	3549418C1																																																																																																																																																																																																																																																																																
33	N59B	18	GY	3549418C1																																																																																																																																																																																																																																																																																
34	N59C	18	GY	3549418C1																																																																																																																																																																																																																																																																																
35	N59D	18	GY	3549418C1																																																																																																																																																																																																																																																																																
36	N59E	18	GY	3549418C1																																																																																																																																																																																																																																																																																
37	N59F	18	GY	3549418C1																																																																																																																																																																																																																																																																																
<table border="1" style="width:100%; border-collapse: collapse;"> <thead> <tr> <th>CHK</th> <th>DATE</th> <th>CHANGE</th> <th>REV</th> <th>REFERENCE</th> <th>DRAWN</th> <th>NAME</th> </tr> </thead> <tbody> <tr> <td>0486</td> <td>30DEC11</td> <td>TITLE WAS CIRCUIT</td> <td>E</td> <td>82357E</td> <td>300344</td> <td>CIRCUIT DIAGRAM, PROSTAR, LONESTAR</td> </tr> <tr> <td></td> <td></td> <td>DIAGRAM, PROSTAR.</td> <td></td> <td></td> <td>RELEASE NO. 74016A</td> <td>DATE 11MAR09</td> </tr> <tr> <td></td> <td></td> <td></td> <td></td> <td></td> <td></td> <td>PART NO. AE08058107</td> </tr> <tr> <td></td> <td></td> <td></td> <td></td> <td></td> <td></td> <td>SHEET 037</td> </tr> </tbody> </table>	CHK	DATE	CHANGE	REV	REFERENCE	DRAWN	NAME	0486	30DEC11	TITLE WAS CIRCUIT	E	82357E	300344	CIRCUIT DIAGRAM, PROSTAR, LONESTAR			DIAGRAM, PROSTAR.			RELEASE NO. 74016A	DATE 11MAR09							PART NO. AE08058107							SHEET 037																																																																																																																																																																																																																																																	
CHK	DATE	CHANGE	REV	REFERENCE	DRAWN	NAME																																																																																																																																																																																																																																																																														
0486	30DEC11	TITLE WAS CIRCUIT	E	82357E	300344	CIRCUIT DIAGRAM, PROSTAR, LONESTAR																																																																																																																																																																																																																																																																														
		DIAGRAM, PROSTAR.			RELEASE NO. 74016A	DATE 11MAR09																																																																																																																																																																																																																																																																														
						PART NO. AE08058107																																																																																																																																																																																																																																																																														
						SHEET 037																																																																																																																																																																																																																																																																														

Figure 459 Connector Body Composite (1701F)

14.80. CONNECTOR BODY COMPOSITE (1702), P. 38

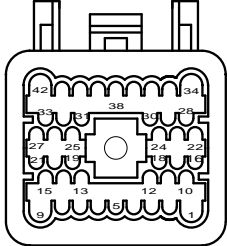
<b>NAVISTAR, INC</b>				<b>ELECTRICAL CIRCUIT DIAGRAM</b>				<b>CHAPTER 14</b>																																																																																																																																																																																																																																																																																																										
THIS PRINT IS PROVIDED ON A RESTRICTED BASIS AND IS NOT TO BE USED IN ANY WAY DETRIMENTAL TO THE INTEREST OF NAVISTAR, INC.				CONNECTOR BODY COMPOSITE - MATING VIEW SHOWN																																																																																																																																																																																																																																																																																																														
<p>IP CONNECTOR (1702) (LOCATED ON FRONT CENTER DASH PANEL)</p>  <p>CONNECTOR 3595621C1 * MUTUALLY EXCLUSIVE # W/ STD BACKUP LIGHT ## W/ WORK LIGHT FEED &amp; W/ ALLISON TC10 TRANSMISSION @ W/ 2010 LH FUSE BLOCK</p>																																																																																																																																																																																																																																																																																																																		
<table border="1" style="width:100%; border-collapse: collapse; font-size: x-small;"> <thead> <tr> <th>CAV</th> <th>CIR</th> <th>GAUGE</th> <th>COLOR</th> <th>TERMINAL</th> </tr> </thead> <tbody> <tr><td>1@</td><td>A92A20</td><td>16</td><td>TN</td><td>3574288C1</td></tr> <tr><td>2</td><td>A9AA</td><td>20</td><td>GY</td><td>2003343C1</td></tr> <tr><td>3</td><td>A6DB</td><td>20</td><td>GY</td><td>2003343C1</td></tr> <tr><td>4</td><td>A77B</td><td>20</td><td>LTGN</td><td>2003343C1</td></tr> <tr><td>5</td><td>A28</td><td>18</td><td>TN</td><td>2003343C1</td></tr> <tr><td>6#</td><td>A71A</td><td>16</td><td>OR</td><td>3574285C1</td></tr> <tr><td>6</td><td>A71-G</td><td>18</td><td>WH</td><td>2003343C1</td></tr> <tr><td>6##</td><td>A71A</td><td>18</td><td>OR</td><td>2003343C1</td></tr> <tr><td>7</td><td>A71B</td><td>16</td><td>OR</td><td>3574285C1</td></tr> <tr><td>7&amp;</td><td>A92#165</td><td>18</td><td>TN</td><td>2003343C1</td></tr> <tr><td>7@</td><td>A71C</td><td>16</td><td>OR</td><td>3574285C1</td></tr> <tr><td>8</td><td>A13A</td><td>16</td><td>PK</td><td>3574285C1</td></tr> <tr><td>8&amp;</td><td>A92#163</td><td>16</td><td>PK</td><td>3574285C1</td></tr> <tr><td>9</td><td>A14A</td><td>12</td><td>RD</td><td>3574287C1</td></tr> <tr><td>9@</td><td>A13AE</td><td>14</td><td>PK</td><td>3574288C1</td></tr> <tr><td>10</td><td>A77</td><td>18</td><td>LTGN</td><td>2003343C1</td></tr> <tr><td>11</td><td>A5R(+)</td><td>18</td><td>YL</td><td>2003343C1</td></tr> <tr><td>12</td><td>A1</td><td>18</td><td>LTBL</td><td>2003343C1</td></tr> <tr><td>13</td><td>A31</td><td>18</td><td>TN</td><td>2003343C1</td></tr> <tr><td>14</td><td>A88</td><td>18</td><td>LTGN</td><td>2003343C1</td></tr> <tr><td>15@</td><td>A41D</td><td>18</td><td>TN</td><td>2003343C1</td></tr> <tr><td>16</td><td>A17</td><td>16</td><td>PK</td><td>3574285C1</td></tr> <tr><td>16&amp;</td><td>A17C</td><td>16</td><td>PK</td><td>3574285C1</td></tr> <tr><td>17</td><td>A5R(-)</td><td>18</td><td>GN</td><td>2003343C1</td></tr> <tr><td>18</td><td>A23A</td><td>18</td><td>TN</td><td>3522073C1</td></tr> <tr><td>18@</td><td>A41E</td><td>18</td><td>TN</td><td>2003343C1</td></tr> <tr><td>19*</td><td>A17-GC</td><td>16</td><td>WH</td><td>3574285C1</td></tr> <tr><td>19*</td><td>A17-GC</td><td>18</td><td>WH</td><td>2003343C1</td></tr> <tr><td>19&amp;</td><td>A92#134</td><td>18</td><td>TN</td><td>2003343C1</td></tr> <tr><td>20</td><td>A17B</td><td>18</td><td>PK</td><td>2003343C1</td></tr> <tr><td>20&amp;</td><td>A92#141</td><td>18</td><td>PK</td><td>2003343C1</td></tr> <tr><td>21</td><td>A17C</td><td>18</td><td>PK</td><td>2003343C1</td></tr> <tr><td>22</td><td>A97C</td><td>18</td><td>PL</td><td>2003343C1</td></tr> <tr><td>23</td><td>A97B</td><td>18</td><td>PL</td><td>2003343C1</td></tr> <tr><td>24</td><td>A97M</td><td>18</td><td>PL</td><td>2003343C1</td></tr> <tr><td>25</td><td>A92E</td><td>16</td><td>TN</td><td>3574285C1</td></tr> <tr><td>25@</td><td>A92DN</td><td>18</td><td>TN</td><td>2003343C1</td></tr> <tr><td>26</td><td>A92F</td><td>18</td><td>TN</td><td>2003343C1</td></tr> <tr><td>26@</td><td>A92A3</td><td>18</td><td>TN</td><td>2003343C1</td></tr> <tr><td>27</td><td>A92H</td><td>18</td><td>TN</td><td>2003343C1</td></tr> <tr><td>27@</td><td>A92A1</td><td>16</td><td>TN</td><td>3574285C1</td></tr> <tr><td>28</td><td>A99B</td><td>18</td><td>PL</td><td>2003343C1</td></tr> <tr><td>29</td><td>A97N</td><td>18</td><td>PL</td><td>2003343C1</td></tr> <tr><td>30</td><td>A99D</td><td>18</td><td>PL</td><td>2003343C1</td></tr> <tr><td>31@</td><td>A92A18</td><td>16</td><td>TN</td><td>3574285C1</td></tr> <tr><td>32</td><td>A104AL</td><td>16</td><td>DKBL</td><td>3574285C1</td></tr> <tr><td>33</td><td>A104AM</td><td>16</td><td>DKBL</td><td>3574285C1</td></tr> <tr><td>34</td><td>A30BC</td><td>16</td><td>TN</td><td>3574288C1</td></tr> <tr><td>35</td><td>A3BA(+)</td><td>18</td><td>DKBL</td><td>2003343C1</td></tr> <tr><td>36</td><td>A3BA(-)</td><td>18</td><td>GY</td><td>2003343C1</td></tr> <tr><td>37</td><td>A97F</td><td>16</td><td>PL</td><td>3574285C1</td></tr> <tr><td>37&amp;</td><td>A97F</td><td>16</td><td>PL</td><td>3574285C1</td></tr> <tr><td>38@</td><td>A97DF</td><td>16</td><td>PL</td><td>3574285C1</td></tr> <tr><td>39</td><td>A92A</td><td>18</td><td>TN</td><td>2003343C1</td></tr> <tr><td>40</td><td>A92B</td><td>18</td><td>TN</td><td>2003343C1</td></tr> <tr><td>41</td><td>A88A</td><td>18</td><td>LTGN</td><td>2003343C1</td></tr> <tr><td>42</td><td>A97VT1</td><td>12</td><td>PL</td><td>3574288C1</td></tr> <tr><td>42@</td><td>A97VT1</td><td>14</td><td>VT</td><td>3574288C1</td></tr> </tbody> </table>												CAV	CIR	GAUGE	COLOR	TERMINAL	1@	A92A20	16	TN	3574288C1	2	A9AA	20	GY	2003343C1	3	A6DB	20	GY	2003343C1	4	A77B	20	LTGN	2003343C1	5	A28	18	TN	2003343C1	6#	A71A	16	OR	3574285C1	6	A71-G	18	WH	2003343C1	6##	A71A	18	OR	2003343C1	7	A71B	16	OR	3574285C1	7&	A92#165	18	TN	2003343C1	7@	A71C	16	OR	3574285C1	8	A13A	16	PK	3574285C1	8&	A92#163	16	PK	3574285C1	9	A14A	12	RD	3574287C1	9@	A13AE	14	PK	3574288C1	10	A77	18	LTGN	2003343C1	11	A5R(+)	18	YL	2003343C1	12	A1	18	LTBL	2003343C1	13	A31	18	TN	2003343C1	14	A88	18	LTGN	2003343C1	15@	A41D	18	TN	2003343C1	16	A17	16	PK	3574285C1	16&	A17C	16	PK	3574285C1	17	A5R(-)	18	GN	2003343C1	18	A23A	18	TN	3522073C1	18@	A41E	18	TN	2003343C1	19*	A17-GC	16	WH	3574285C1	19*	A17-GC	18	WH	2003343C1	19&	A92#134	18	TN	2003343C1	20	A17B	18	PK	2003343C1	20&	A92#141	18	PK	2003343C1	21	A17C	18	PK	2003343C1	22	A97C	18	PL	2003343C1	23	A97B	18	PL	2003343C1	24	A97M	18	PL	2003343C1	25	A92E	16	TN	3574285C1	25@	A92DN	18	TN	2003343C1	26	A92F	18	TN	2003343C1	26@	A92A3	18	TN	2003343C1	27	A92H	18	TN	2003343C1	27@	A92A1	16	TN	3574285C1	28	A99B	18	PL	2003343C1	29	A97N	18	PL	2003343C1	30	A99D	18	PL	2003343C1	31@	A92A18	16	TN	3574285C1	32	A104AL	16	DKBL	3574285C1	33	A104AM	16	DKBL	3574285C1	34	A30BC	16	TN	3574288C1	35	A3BA(+)	18	DKBL	2003343C1	36	A3BA(-)	18	GY	2003343C1	37	A97F	16	PL	3574285C1	37&	A97F	16	PL	3574285C1	38@	A97DF	16	PL	3574285C1	39	A92A	18	TN	2003343C1	40	A92B	18	TN	2003343C1	41	A88A	18	LTGN	2003343C1	42	A97VT1	12	PL	3574288C1	42@	A97VT1	14	VT	3574288C1
CAV	CIR	GAUGE	COLOR	TERMINAL																																																																																																																																																																																																																																																																																																														
1@	A92A20	16	TN	3574288C1																																																																																																																																																																																																																																																																																																														
2	A9AA	20	GY	2003343C1																																																																																																																																																																																																																																																																																																														
3	A6DB	20	GY	2003343C1																																																																																																																																																																																																																																																																																																														
4	A77B	20	LTGN	2003343C1																																																																																																																																																																																																																																																																																																														
5	A28	18	TN	2003343C1																																																																																																																																																																																																																																																																																																														
6#	A71A	16	OR	3574285C1																																																																																																																																																																																																																																																																																																														
6	A71-G	18	WH	2003343C1																																																																																																																																																																																																																																																																																																														
6##	A71A	18	OR	2003343C1																																																																																																																																																																																																																																																																																																														
7	A71B	16	OR	3574285C1																																																																																																																																																																																																																																																																																																														
7&	A92#165	18	TN	2003343C1																																																																																																																																																																																																																																																																																																														
7@	A71C	16	OR	3574285C1																																																																																																																																																																																																																																																																																																														
8	A13A	16	PK	3574285C1																																																																																																																																																																																																																																																																																																														
8&	A92#163	16	PK	3574285C1																																																																																																																																																																																																																																																																																																														
9	A14A	12	RD	3574287C1																																																																																																																																																																																																																																																																																																														
9@	A13AE	14	PK	3574288C1																																																																																																																																																																																																																																																																																																														
10	A77	18	LTGN	2003343C1																																																																																																																																																																																																																																																																																																														
11	A5R(+)	18	YL	2003343C1																																																																																																																																																																																																																																																																																																														
12	A1	18	LTBL	2003343C1																																																																																																																																																																																																																																																																																																														
13	A31	18	TN	2003343C1																																																																																																																																																																																																																																																																																																														
14	A88	18	LTGN	2003343C1																																																																																																																																																																																																																																																																																																														
15@	A41D	18	TN	2003343C1																																																																																																																																																																																																																																																																																																														
16	A17	16	PK	3574285C1																																																																																																																																																																																																																																																																																																														
16&	A17C	16	PK	3574285C1																																																																																																																																																																																																																																																																																																														
17	A5R(-)	18	GN	2003343C1																																																																																																																																																																																																																																																																																																														
18	A23A	18	TN	3522073C1																																																																																																																																																																																																																																																																																																														
18@	A41E	18	TN	2003343C1																																																																																																																																																																																																																																																																																																														
19*	A17-GC	16	WH	3574285C1																																																																																																																																																																																																																																																																																																														
19*	A17-GC	18	WH	2003343C1																																																																																																																																																																																																																																																																																																														
19&	A92#134	18	TN	2003343C1																																																																																																																																																																																																																																																																																																														
20	A17B	18	PK	2003343C1																																																																																																																																																																																																																																																																																																														
20&	A92#141	18	PK	2003343C1																																																																																																																																																																																																																																																																																																														
21	A17C	18	PK	2003343C1																																																																																																																																																																																																																																																																																																														
22	A97C	18	PL	2003343C1																																																																																																																																																																																																																																																																																																														
23	A97B	18	PL	2003343C1																																																																																																																																																																																																																																																																																																														
24	A97M	18	PL	2003343C1																																																																																																																																																																																																																																																																																																														
25	A92E	16	TN	3574285C1																																																																																																																																																																																																																																																																																																														
25@	A92DN	18	TN	2003343C1																																																																																																																																																																																																																																																																																																														
26	A92F	18	TN	2003343C1																																																																																																																																																																																																																																																																																																														
26@	A92A3	18	TN	2003343C1																																																																																																																																																																																																																																																																																																														
27	A92H	18	TN	2003343C1																																																																																																																																																																																																																																																																																																														
27@	A92A1	16	TN	3574285C1																																																																																																																																																																																																																																																																																																														
28	A99B	18	PL	2003343C1																																																																																																																																																																																																																																																																																																														
29	A97N	18	PL	2003343C1																																																																																																																																																																																																																																																																																																														
30	A99D	18	PL	2003343C1																																																																																																																																																																																																																																																																																																														
31@	A92A18	16	TN	3574285C1																																																																																																																																																																																																																																																																																																														
32	A104AL	16	DKBL	3574285C1																																																																																																																																																																																																																																																																																																														
33	A104AM	16	DKBL	3574285C1																																																																																																																																																																																																																																																																																																														
34	A30BC	16	TN	3574288C1																																																																																																																																																																																																																																																																																																														
35	A3BA(+)	18	DKBL	2003343C1																																																																																																																																																																																																																																																																																																														
36	A3BA(-)	18	GY	2003343C1																																																																																																																																																																																																																																																																																																														
37	A97F	16	PL	3574285C1																																																																																																																																																																																																																																																																																																														
37&	A97F	16	PL	3574285C1																																																																																																																																																																																																																																																																																																														
38@	A97DF	16	PL	3574285C1																																																																																																																																																																																																																																																																																																														
39	A92A	18	TN	2003343C1																																																																																																																																																																																																																																																																																																														
40	A92B	18	TN	2003343C1																																																																																																																																																																																																																																																																																																														
41	A88A	18	LTGN	2003343C1																																																																																																																																																																																																																																																																																																														
42	A97VT1	12	PL	3574288C1																																																																																																																																																																																																																																																																																																														
42@	A97VT1	14	VT	3574288C1																																																																																																																																																																																																																																																																																																														
CHK	DATE	CHANGE	REV	REFERENCE	DRAWN	NAME																																																																																																																																																																																																																																																																																																												
-	-	ADDED EFFECT W/ 2010	E	92715R	300422	CIRCUIT DIAGRAM, PROSTAR, LONESTAR																																																																																																																																																																																																																																																																																																												
		LH FUSE BLOCK IN 1702.			RELEASE NO.	DATE	PART NO.	SHEET																																																																																																																																																																																																																																																																																																										
					61802Y	11MAR09	AE08058107	038																																																																																																																																																																																																																																																																																																										

Figure 460 Connector Body Composite (1702)

14.81. CONNECTOR BODY COMPOSITE (1702), P. 39

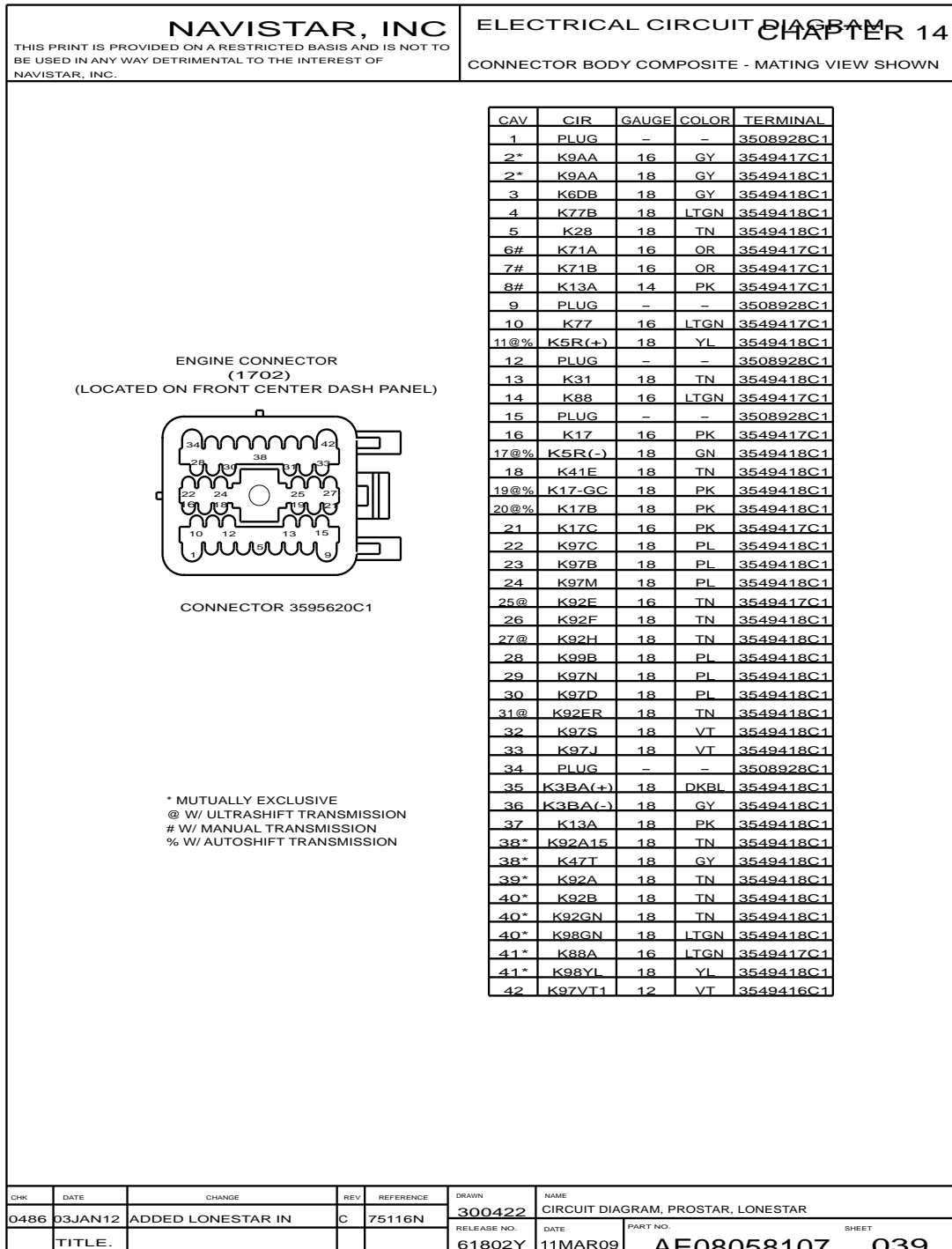


Figure 461 Connector Body Composite (1702)

14.82. CONNECTOR BODY COMPOSITE (1702), P. 39A

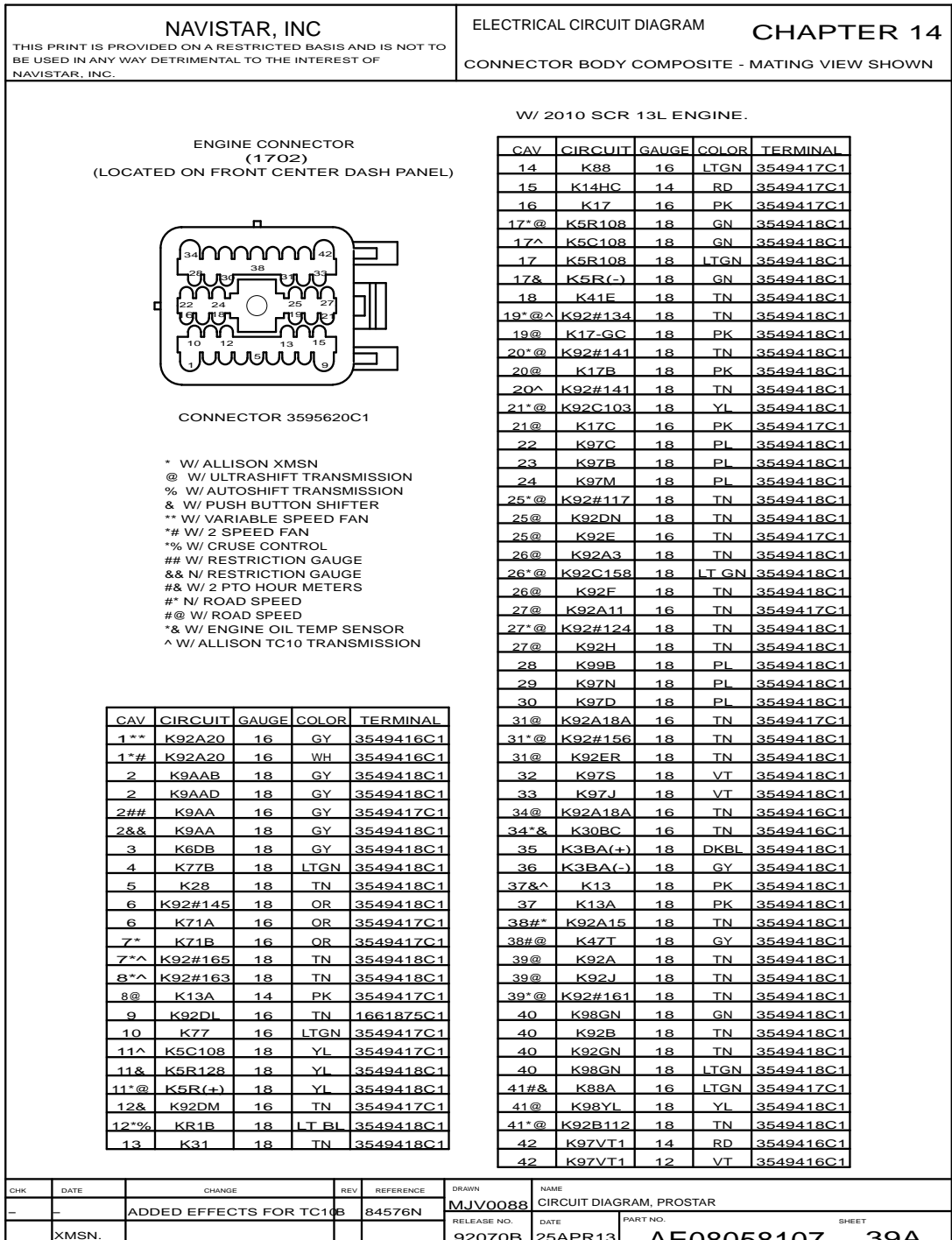


Figure 462 Connector Body Composite (1702)

14.83. CONNECTOR BODY COMPOSITE (1800), P. 40

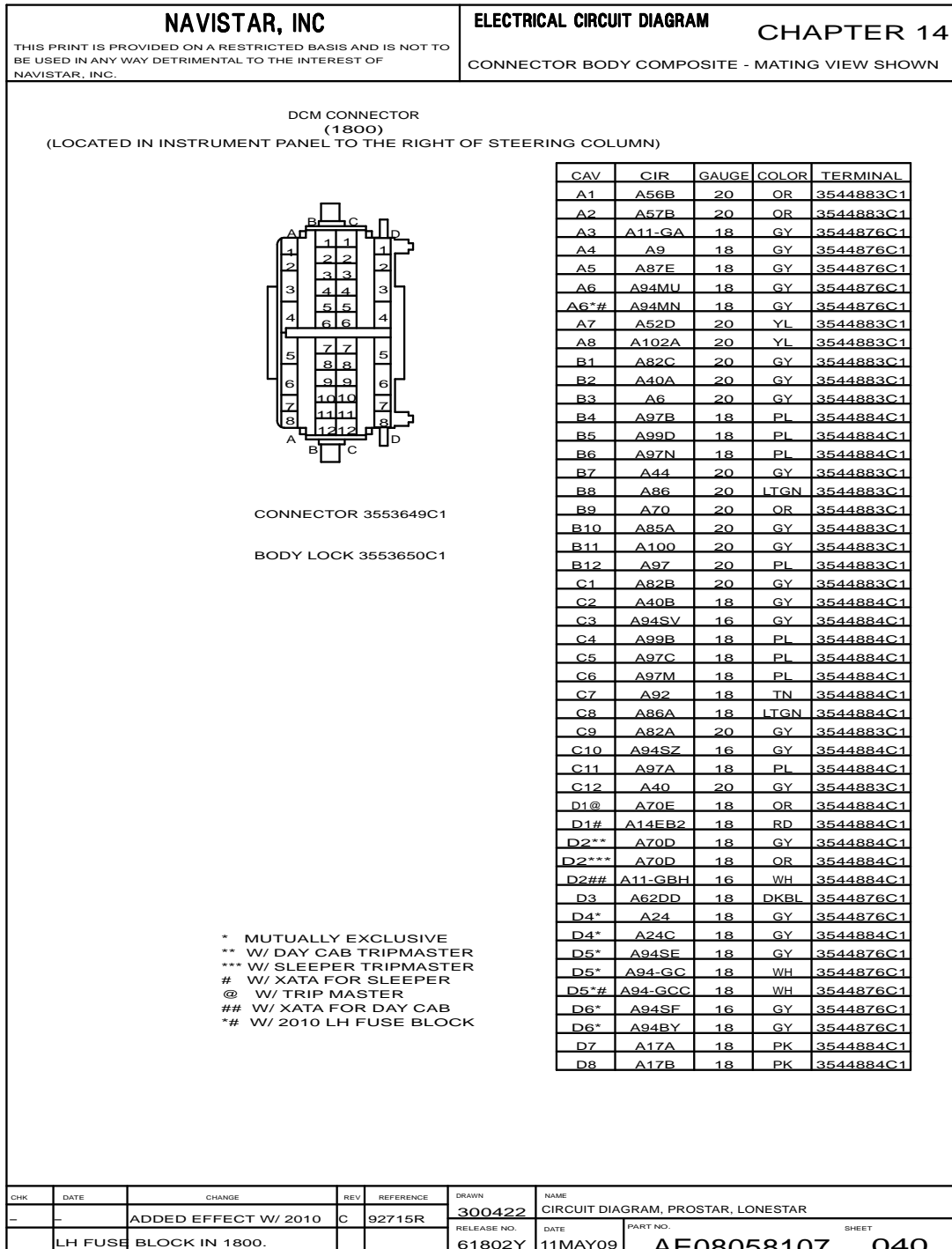


Figure 463 Connector Body Composite (1800)

14.84. CONNECTOR BODY COMPOSITE (1800F), P. 41

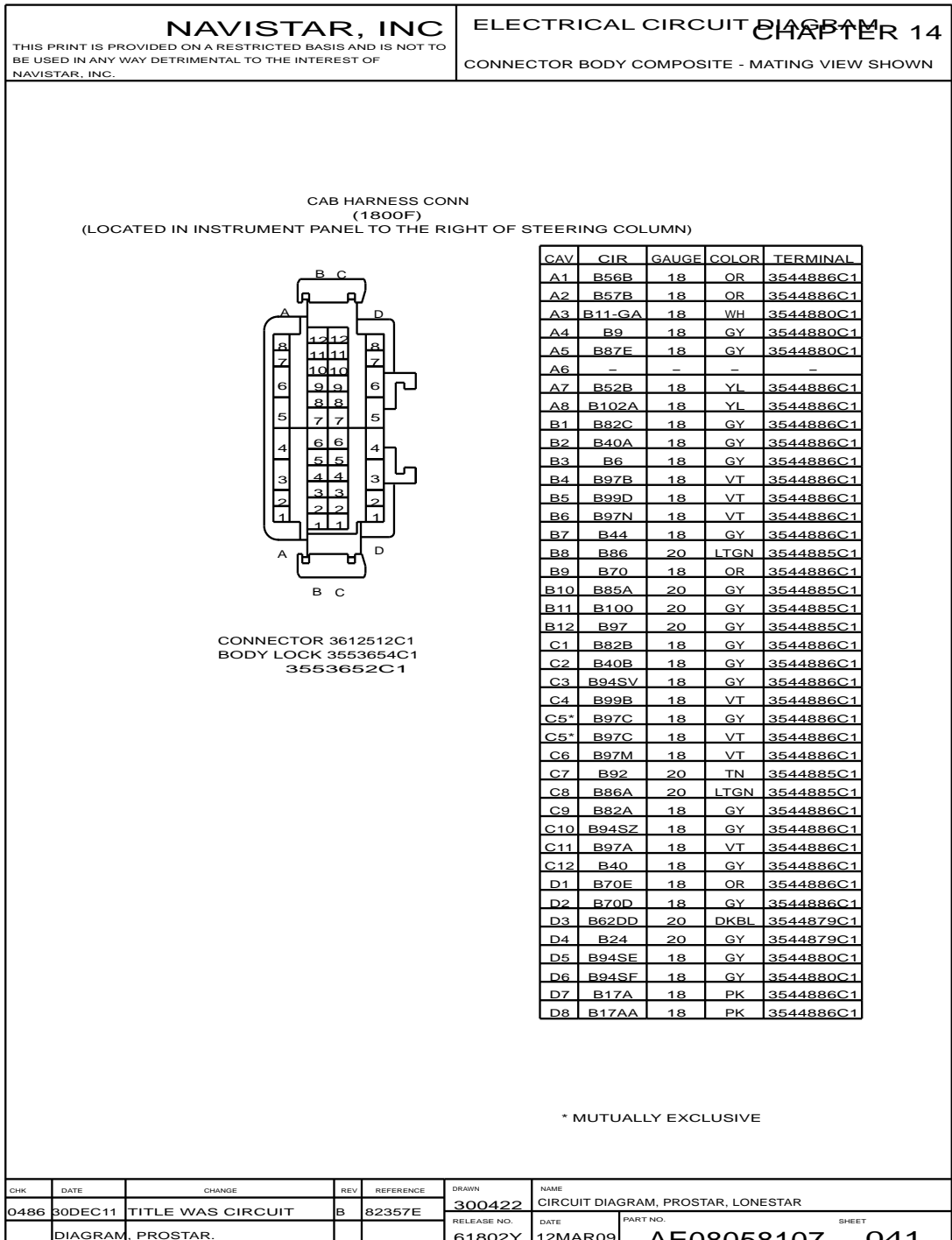


Figure 464 Connector Body Composite (1800F)



14.85. CONNECTOR BODY COMPOSITE (1801), (1802), P. 42

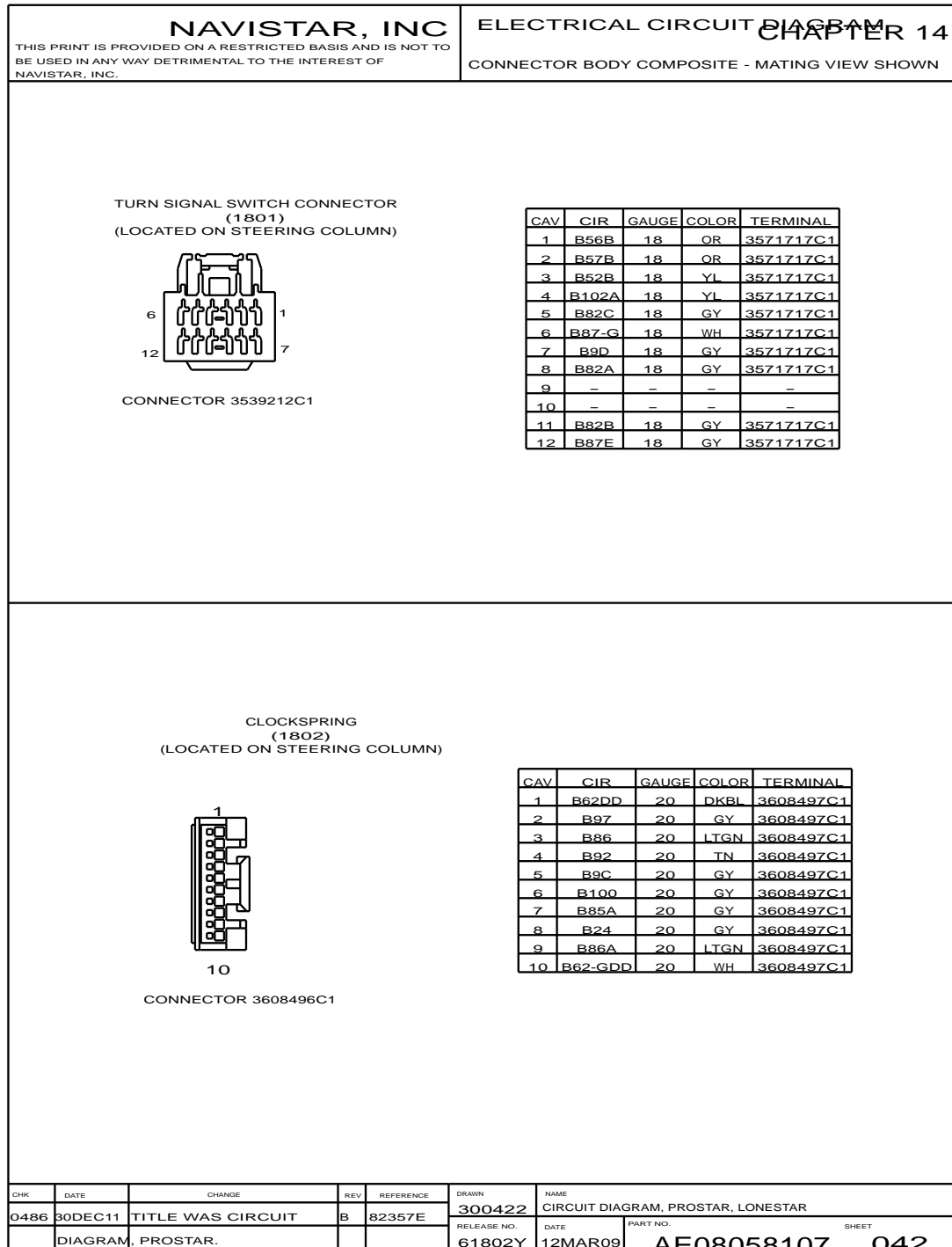


Figure 465 Connector Body Composite (1801), (1802)

14.86. CONNECTOR BODY COMPOSITE (1803), (1804), P. 43

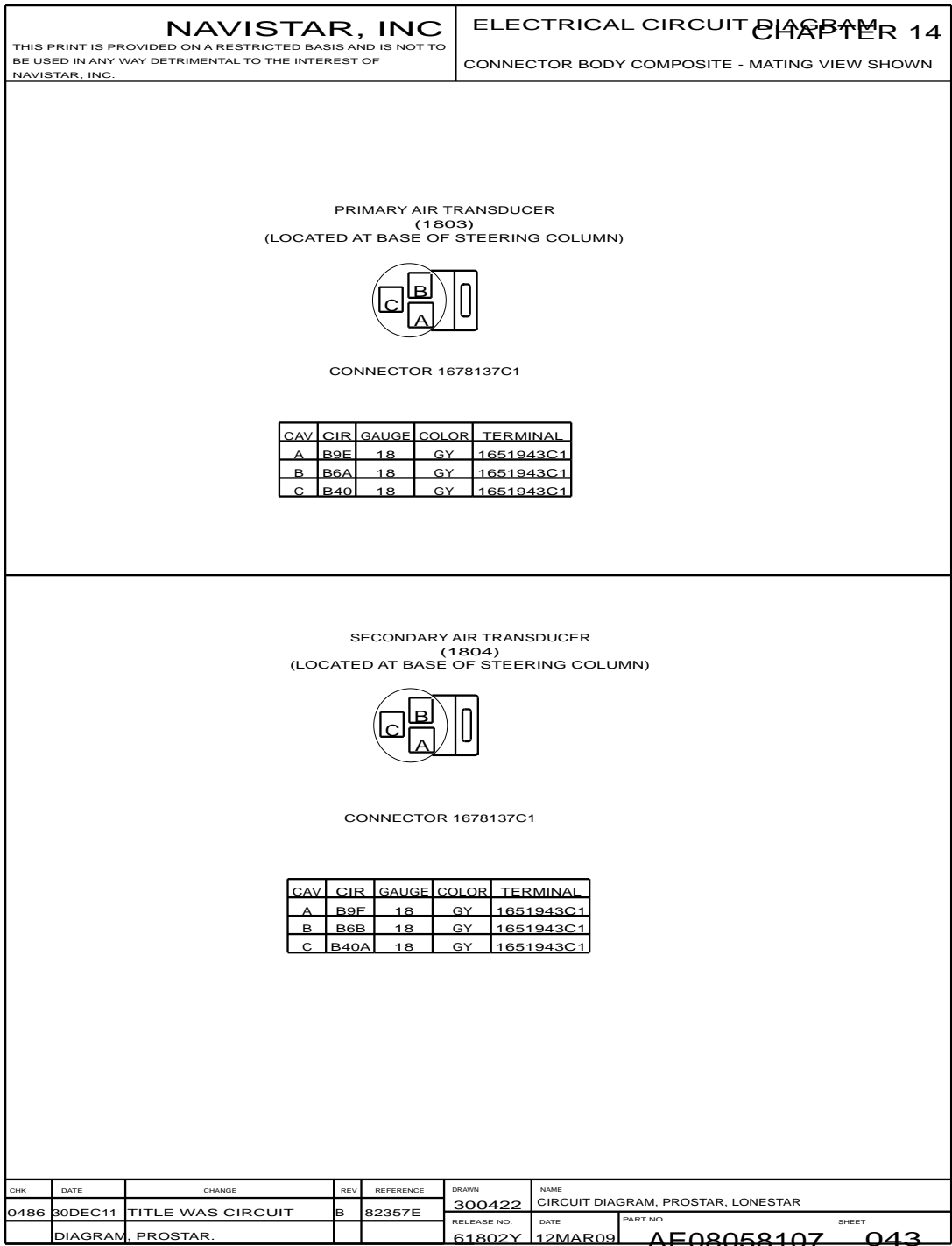


Figure 466 Connector Body Composite (1803), (1804)

14.87. CONNECTOR BODY COMPOSITE (1805), (1806), (1807), P. 44

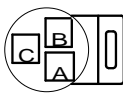
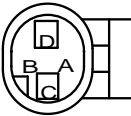

<b>NAVISTAR, INC</b>				<b>ELECTRICAL CIRCUIT DIAGRAM</b>		<b>CHAPTER 14</b>																															
THIS PRINT IS PROVIDED ON A RESTRICTED BASIS AND IS NOT TO BE USED IN ANY WAY DETRIMENTAL TO THE INTEREST OF NAVISTAR, INC.				CONNECTOR BODY COMPOSITE - MATING VIEW SHOWN																																	
<p>TRANSDUCER CONNECTOR (1805) (LOCATED AT BASE OF STEERING COLUMN)</p> <div style="display: flex; justify-content: space-around; align-items: center;">  <table border="1" style="border-collapse: collapse; font-size: x-small;"> <thead> <tr> <th>CAV</th> <th>CIR</th> <th>GAUGE</th> <th>COLOR</th> <th>TERMINAL</th> </tr> </thead> <tbody> <tr> <td>A</td> <td>B9H</td> <td>18</td> <td>GY</td> <td>1651943C1</td> </tr> <tr> <td>B</td> <td>B6C</td> <td>18</td> <td>GY</td> <td>1651943C1</td> </tr> <tr> <td>C</td> <td>B40B</td> <td>18</td> <td>GY</td> <td>1651943C1</td> </tr> </tbody> </table> </div> <p style="text-align: center;">CONNECTOR 1678137C1</p>								CAV	CIR	GAUGE	COLOR	TERMINAL	A	B9H	18	GY	1651943C1	B	B6C	18	GY	1651943C1	C	B40B	18	GY	1651943C1										
CAV	CIR	GAUGE	COLOR	TERMINAL																																	
A	B9H	18	GY	1651943C1																																	
B	B6C	18	GY	1651943C1																																	
C	B40B	18	GY	1651943C1																																	
<p>STOP LIGHT SWITCH CONNECTOR (1806) (LOCATED AT BASE OF STEERING COLUMN)</p> <div style="display: flex; justify-content: space-around; align-items: center;">  <table border="1" style="border-collapse: collapse; font-size: x-small;"> <thead> <tr> <th>CAV</th> <th>CIR</th> <th>GAUGE</th> <th>COLOR</th> <th>TERMINAL</th> <th>SEAL/SLEEVE</th> </tr> </thead> <tbody> <tr> <td>A</td> <td>-</td> <td>-</td> <td>-</td> <td>-</td> <td>-</td> </tr> <tr> <td>B</td> <td>-</td> <td>-</td> <td>-</td> <td>-</td> <td>-</td> </tr> <tr> <td>C</td> <td>B70</td> <td>18</td> <td>OR</td> <td>1661875C1</td> <td>1661872C1</td> </tr> <tr> <td>D</td> <td>B9K</td> <td>18</td> <td>GY</td> <td>1661875C1</td> <td>1661872C1</td> </tr> </tbody> </table> </div> <p style="text-align: center;">CONNECTOR 1661777C1 BODY LOCK 1661873C1</p>								CAV	CIR	GAUGE	COLOR	TERMINAL	SEAL/SLEEVE	A	-	-	-	-	-	B	-	-	-	-	-	C	B70	18	OR	1661875C1	1661872C1	D	B9K	18	GY	1661875C1	1661872C1
CAV	CIR	GAUGE	COLOR	TERMINAL	SEAL/SLEEVE																																
A	-	-	-	-	-																																
B	-	-	-	-	-																																
C	B70	18	OR	1661875C1	1661872C1																																
D	B9K	18	GY	1661875C1	1661872C1																																
<p>4 WIRE CLOCK SPRING (1807) (LOCATED AT BASE OF STEERING COLUMN)</p> <div style="display: flex; justify-content: space-around; align-items: center;">  <table border="1" style="border-collapse: collapse; font-size: x-small;"> <thead> <tr> <th>CAV</th> <th>CIR</th> <th>GAUGE</th> <th>COLOR</th> <th>TERMINAL</th> </tr> </thead> <tbody> <tr> <td>A</td> <td>B9C</td> <td>20</td> <td>GY</td> <td>3544254C1</td> </tr> <tr> <td>B</td> <td>B97</td> <td>20</td> <td>GY</td> <td>3544254C1</td> </tr> <tr> <td>C</td> <td>B100</td> <td>20</td> <td>GY</td> <td>3544254C1</td> </tr> <tr> <td>D</td> <td>B85A</td> <td>20</td> <td>GY</td> <td>3544254C1</td> </tr> </tbody> </table> </div> <p style="text-align: center;">CONNECTOR 3547870C1 BODY LOCK 3515764C1</p>								CAV	CIR	GAUGE	COLOR	TERMINAL	A	B9C	20	GY	3544254C1	B	B97	20	GY	3544254C1	C	B100	20	GY	3544254C1	D	B85A	20	GY	3544254C1					
CAV	CIR	GAUGE	COLOR	TERMINAL																																	
A	B9C	20	GY	3544254C1																																	
B	B97	20	GY	3544254C1																																	
C	B100	20	GY	3544254C1																																	
D	B85A	20	GY	3544254C1																																	
CHK	DATE	CHANGE	REV	REFERENCE	DRAWN	NAME																															
0488	20MAY14	ADDED R/D 1807.	C	92447S	300422	CIRCUIT DIAGRAM, PROSTAR, LONESTAR																															
					RELEASE NO.	DATE	PART NO.																														
					61802Y	12MAR09	AE08058107																														
						SHEET	044																														

Figure 467 Connector Body Composite (1805), (1806), (1807)

14.88. CONNECTOR BODY COMPOSITE (1808), (1809), (1810), P. 45

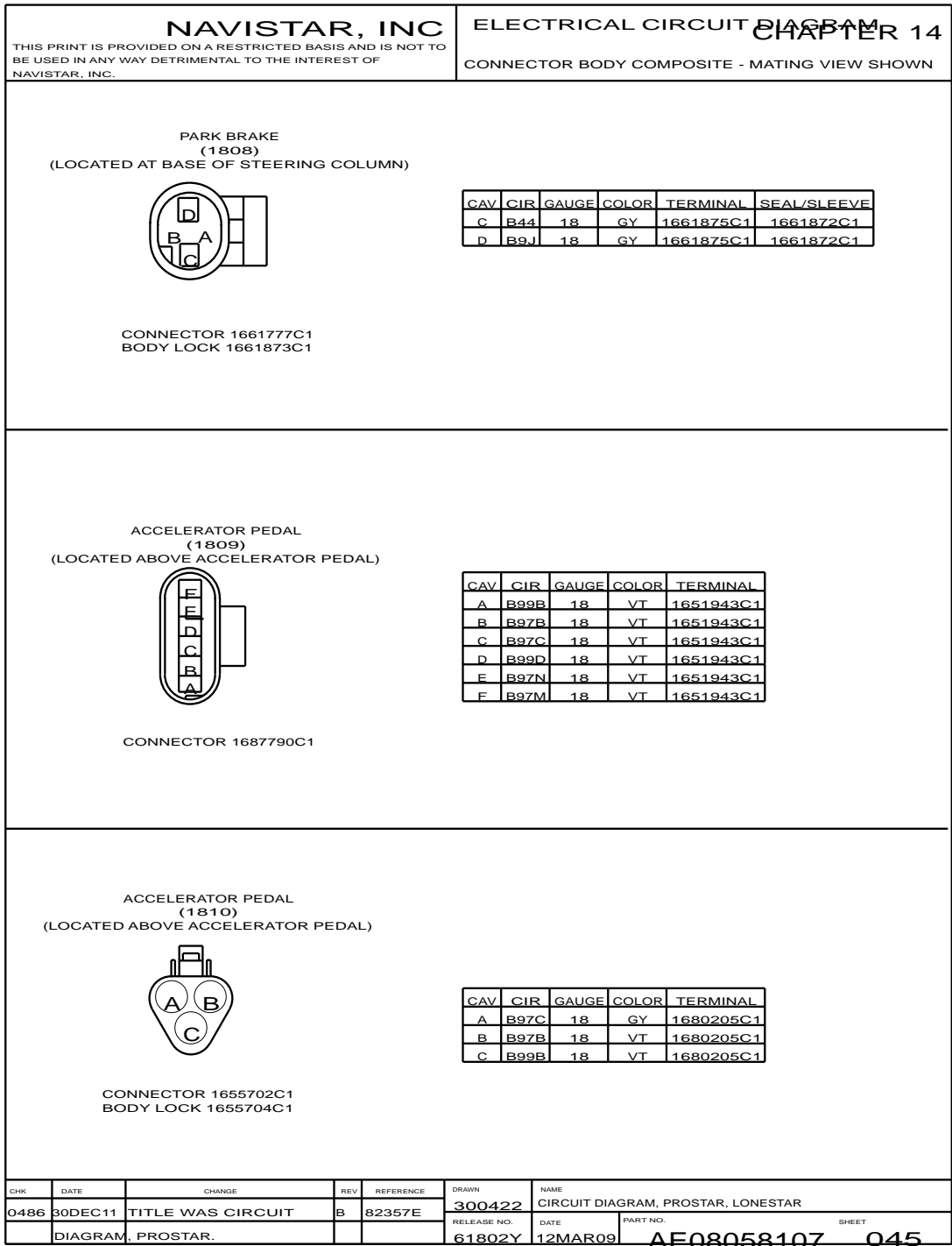


Figure 468 Connector Body Composite (1808), (1809), (1810)

14.89. CONNECTOR BODY COMPOSITE (1811), (1812), (1814), (1815), (1820F), (1820M), P. 46


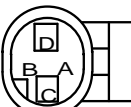
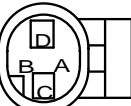


<b>NAVISTAR, INC</b>				<b>ELECTRICAL CIRCUIT DIAGRAM</b>		<b>CHAPTER 14</b>																																																																							
THIS PRINT IS PROVIDED ON A RESTRICTED BASIS AND IS NOT TO BE USED IN ANY WAY DETRIMENTAL TO THE INTEREST OF NAVISTAR, INC.				CONNECTOR BODY COMPOSITE - MATING VIEW SHOWN																																																																									
<p>CLUTCH SWITCH (1811) (LOCATED ON CLUTCH PEDAL)</p> 																																																																													
		<table border="1" style="font-size: x-small;"> <thead> <tr><th>CAV</th><th>CIR</th><th>GAUGE</th><th>COLOR</th><th>TERMINAL</th><th>SEAL/SLEEVE</th></tr> </thead> <tbody> <tr><td>A</td><td>B17A</td><td>18</td><td>PK</td><td>1667742C1</td><td>1661872C1</td></tr> <tr><td>B</td><td>B17AA</td><td>18</td><td>PK</td><td>1667742C1</td><td>1661872C1</td></tr> <tr><td>C</td><td>B97A</td><td>18</td><td>VT</td><td>1667742C1</td><td>1661872C1</td></tr> <tr><td>D</td><td>B9M</td><td>18</td><td>GY</td><td>1667742C1</td><td>1661872C1</td></tr> </tbody> </table>		CAV	CIR	GAUGE	COLOR	TERMINAL	SEAL/SLEEVE	A	B17A	18	PK	1667742C1	1661872C1	B	B17AA	18	PK	1667742C1	1661872C1	C	B97A	18	VT	1667742C1	1661872C1	D	B9M	18	GY	1667742C1	1661872C1																																												
CAV	CIR	GAUGE	COLOR	TERMINAL	SEAL/SLEEVE																																																																								
A	B17A	18	PK	1667742C1	1661872C1																																																																								
B	B17AA	18	PK	1667742C1	1661872C1																																																																								
C	B97A	18	VT	1667742C1	1661872C1																																																																								
D	B9M	18	GY	1667742C1	1661872C1																																																																								
<p>CONNECTOR 3540757C1 BODY LOCK 3540758C1</p>																																																																													
<p>BRAKE INPUT (1812) (LOCATED AT BASE OF STEERING COLUMN)</p> 																																																																													
		<table border="1" style="font-size: x-small;"> <thead> <tr><th>CAV</th><th>CIR</th><th>GAUGE</th><th>COLOR</th><th>TERMINAL</th><th>SEAL/SLEEVE</th></tr> </thead> <tbody> <tr><td>C</td><td>B70E</td><td>18</td><td>OR</td><td>1661875C1</td><td>1661872C1</td></tr> <tr><td>D</td><td>B70D</td><td>18</td><td>GY</td><td>1661875C1</td><td>1661872C1</td></tr> </tbody> </table>		CAV	CIR	GAUGE	COLOR	TERMINAL	SEAL/SLEEVE	C	B70E	18	OR	1661875C1	1661872C1	D	B70D	18	GY	1661875C1	1661872C1																																																								
CAV	CIR	GAUGE	COLOR	TERMINAL	SEAL/SLEEVE																																																																								
C	B70E	18	OR	1661875C1	1661872C1																																																																								
D	B70D	18	GY	1661875C1	1661872C1																																																																								
<p>CONNECTOR 1661777C1 BODY LOCK 1661873C1</p>																																																																													
<p>AUTO/NEUTRAL PARK BRAKE (1814/1815)</p> 																																																																													
		<table border="1" style="font-size: x-small;"> <thead> <tr><th>CAV</th><th>CIRCUIT</th><th>GAUGE</th><th>COLOR</th><th>TERMINAL</th><th>SEAL/SLEEVE</th></tr> </thead> <tbody> <tr><td>A</td><td>PLUG</td><td>-</td><td>-</td><td>-</td><td>-</td></tr> <tr><td>B</td><td>PLUG</td><td>-</td><td>-</td><td>-</td><td>-</td></tr> <tr><td>C</td><td>K92DL</td><td>16</td><td>TN</td><td>3594831C1</td><td>1661872C1</td></tr> <tr><td>C*</td><td>K92DL</td><td>16</td><td>TN</td><td>1661875C1</td><td>1661872C1</td></tr> <tr><td>D</td><td>K92DM</td><td>16</td><td>TN</td><td>3594831C1</td><td>1661872C2</td></tr> <tr><td>D*</td><td>K92DM</td><td>16</td><td>TN</td><td>1661875C1</td><td>1661872C1</td></tr> </tbody> </table>		CAV	CIRCUIT	GAUGE	COLOR	TERMINAL	SEAL/SLEEVE	A	PLUG	-	-	-	-	B	PLUG	-	-	-	-	C	K92DL	16	TN	3594831C1	1661872C1	C*	K92DL	16	TN	1661875C1	1661872C1	D	K92DM	16	TN	3594831C1	1661872C2	D*	K92DM	16	TN	1661875C1	1661872C1																																
CAV	CIRCUIT	GAUGE	COLOR	TERMINAL	SEAL/SLEEVE																																																																								
A	PLUG	-	-	-	-																																																																								
B	PLUG	-	-	-	-																																																																								
C	K92DL	16	TN	3594831C1	1661872C1																																																																								
C*	K92DL	16	TN	1661875C1	1661872C1																																																																								
D	K92DM	16	TN	3594831C1	1661872C2																																																																								
D*	K92DM	16	TN	1661875C1	1661872C1																																																																								
<p>CONNECTOR 1661777C1 BODY LOCK 1661873C1</p> <p style="text-align: right;">* W/ 2010 SCR 13L ENG</p>																																																																													
<p>CAB HARNESS STEERING WHEEL SENSOR (1820F / 1820M) (LOCATED IN INSTRUMENT PANEL TO RIGHT OF STEERING COLUMN)</p>  																																																																													
		<table border="1" style="font-size: x-small;"> <thead> <tr><th>CAV</th><th>CIR</th><th>GAUGE</th><th>COLOR</th><th>TERMINAL</th></tr> </thead> <tbody> <tr><td>A</td><td>B94SA</td><td>20</td><td>GY</td><td>3534481C1</td></tr> <tr><td>B</td><td>B94SB</td><td>20</td><td>GY</td><td>3534481C1</td></tr> <tr><td>C</td><td>B94SC</td><td>20</td><td>GY</td><td>3534481C1</td></tr> <tr><td>D</td><td>B94SD</td><td>20</td><td>GY</td><td>3534481C1</td></tr> </tbody> </table>		CAV	CIR	GAUGE	COLOR	TERMINAL	A	B94SA	20	GY	3534481C1	B	B94SB	20	GY	3534481C1	C	B94SC	20	GY	3534481C1	D	B94SD	20	GY	3534481C1			<p style="text-align: right;"># W/ 2010 LH FUSE BLOC</p> <p>CONNECTOR 1667305C1 BODY LOCK 1661263C1</p> <table border="1" style="font-size: x-small;"> <thead> <tr><th>CAV</th><th>CIR</th><th>GAUGE</th><th>COLOR</th><th>TERMINAL</th></tr> </thead> <tbody> <tr><td>A</td><td>A94SA</td><td>18</td><td>GY</td><td>1661261C1</td></tr> <tr><td>A#</td><td>A94SNB</td><td>18</td><td>GY</td><td>1661261C1</td></tr> <tr><td>B</td><td>A94SB</td><td>18</td><td>GY</td><td>1661261C1</td></tr> <tr><td>B#</td><td>A94SPB</td><td>18</td><td>GY</td><td>1661261C1</td></tr> <tr><td>C</td><td>A94SC</td><td>18</td><td>GY</td><td>1661261C1</td></tr> <tr><td>C#</td><td>A94SRB</td><td>18</td><td>GY</td><td>1661261C1</td></tr> <tr><td>D</td><td>A94SD</td><td>18</td><td>GY</td><td>1661261C1</td></tr> <tr><td>D#</td><td>A94SSB</td><td>18</td><td>GY</td><td>1661261C1</td></tr> </tbody> </table>		CAV	CIR	GAUGE	COLOR	TERMINAL	A	A94SA	18	GY	1661261C1	A#	A94SNB	18	GY	1661261C1	B	A94SB	18	GY	1661261C1	B#	A94SPB	18	GY	1661261C1	C	A94SC	18	GY	1661261C1	C#	A94SRB	18	GY	1661261C1	D	A94SD	18	GY	1661261C1	D#	A94SSB	18	GY	1661261C1
CAV	CIR	GAUGE	COLOR	TERMINAL																																																																									
A	B94SA	20	GY	3534481C1																																																																									
B	B94SB	20	GY	3534481C1																																																																									
C	B94SC	20	GY	3534481C1																																																																									
D	B94SD	20	GY	3534481C1																																																																									
CAV	CIR	GAUGE	COLOR	TERMINAL																																																																									
A	A94SA	18	GY	1661261C1																																																																									
A#	A94SNB	18	GY	1661261C1																																																																									
B	A94SB	18	GY	1661261C1																																																																									
B#	A94SPB	18	GY	1661261C1																																																																									
C	A94SC	18	GY	1661261C1																																																																									
C#	A94SRB	18	GY	1661261C1																																																																									
D	A94SD	18	GY	1661261C1																																																																									
D#	A94SSB	18	GY	1661261C1																																																																									
<p>CONNECTOR 1667529C1 BODY LOCK 1667530C1</p>																																																																													
CHK	DATE	CHANGE	REV	REFERENCE	DRAWN	NAME																																																																							
-	-	ADDED EFFECT W/ 2010	D	92715R	300422	CIRCUIT DIAGRAM, PROSTAR, LONESTAR																																																																							
					RELEASE NO.	DATE	PART NO.	SHEET																																																																					
					61802Y	12MAR09	AE08058107	046																																																																					
		LH FUSE BLOCK IN 1820M.																																																																											

Figure 469 Connector Body Composite (1811), (1812), (1814), (1815), (1820F), (1820M)

14.90. CONNECTOR BODY COMPOSITE (1820), P. 46A

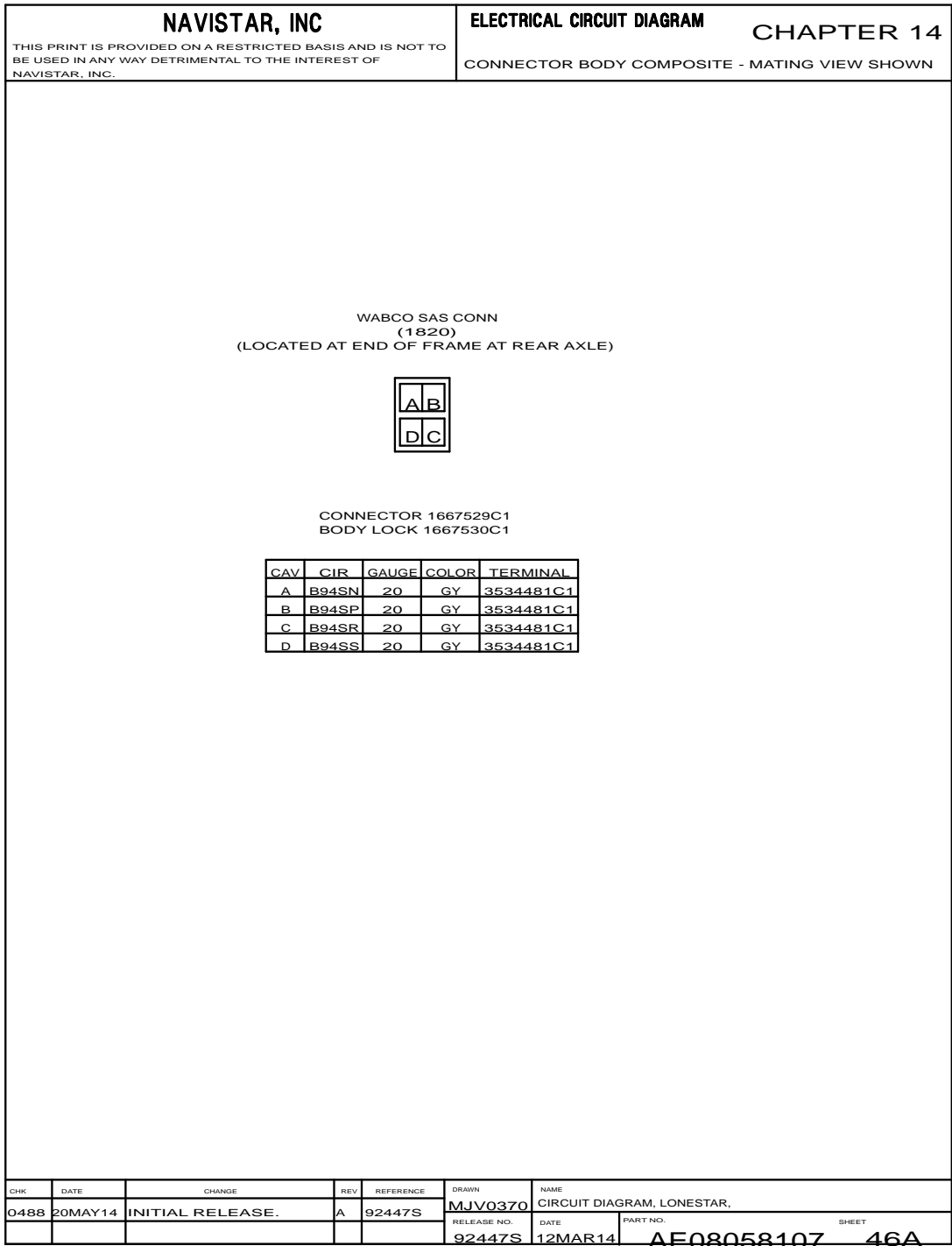


Figure 470 Connector Body Composite (1820)

14.91. CONNECTOR BODY COMPOSITE (1821), (1821A), (1822), (1823), (1860), (1861), P. 47

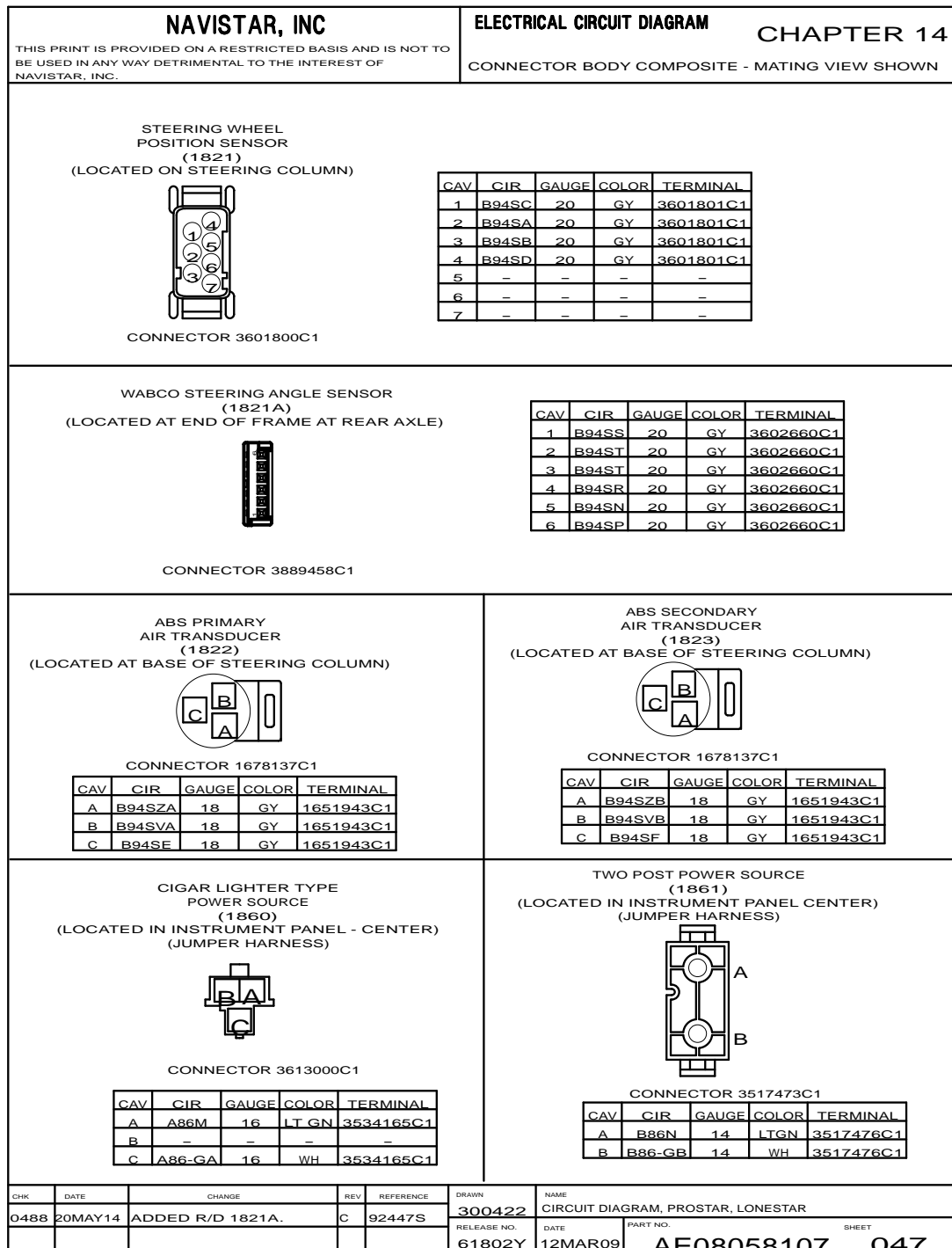


Figure 471 Connector Body Composite (1821), (1821A), (1822), (1823), (1860), (1861)

14.92. CONNECTOR BODY COMPOSITE (1824), (1852), (1873), (1873B), (1874), P. 47A

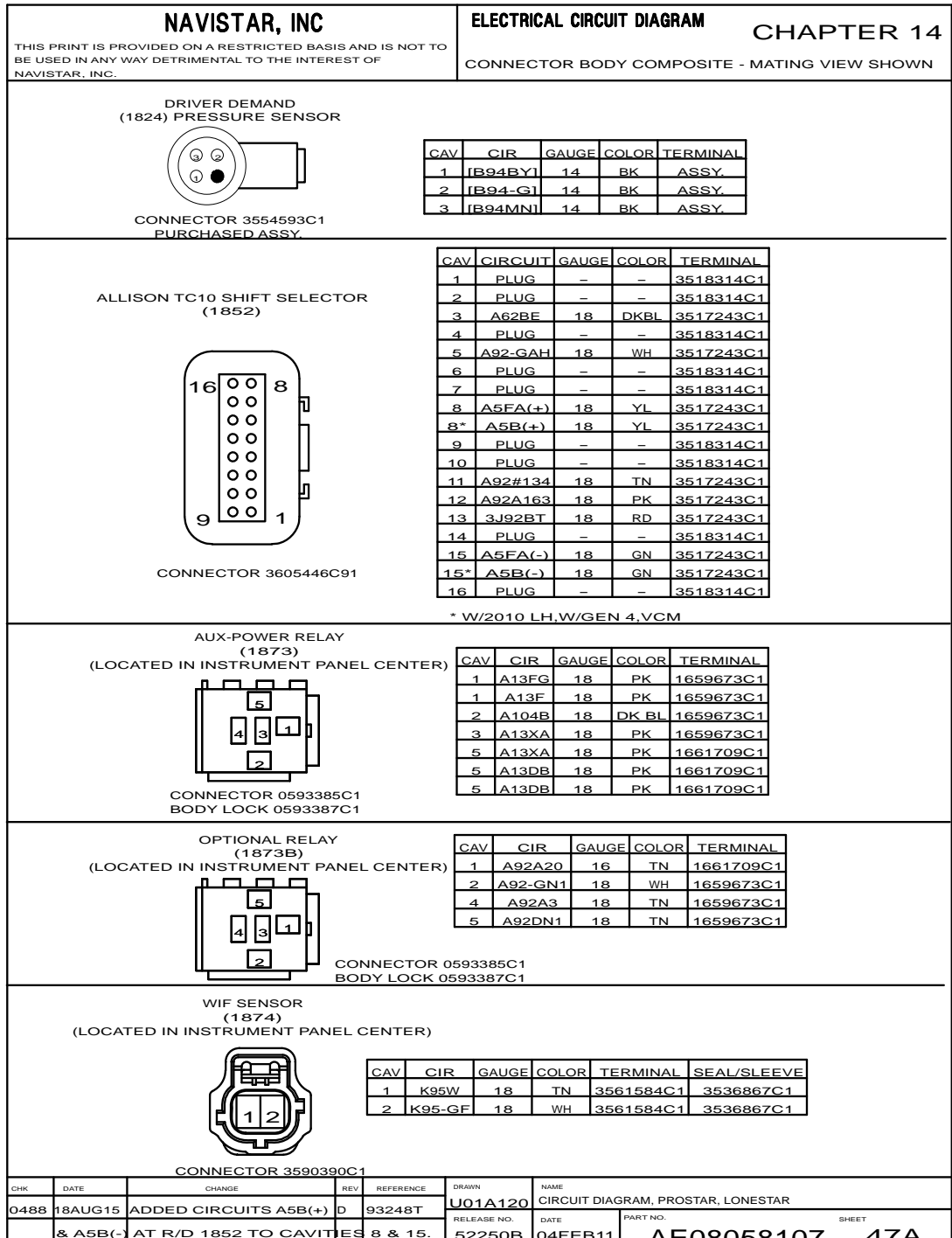


Figure 472 Connector Body Composite (1824), (1852), (1873), (1873B), (1874)



14.93. CONNECTOR BODY COMPOSITE (1873), (1874), (1874A), (1874B), P. 48

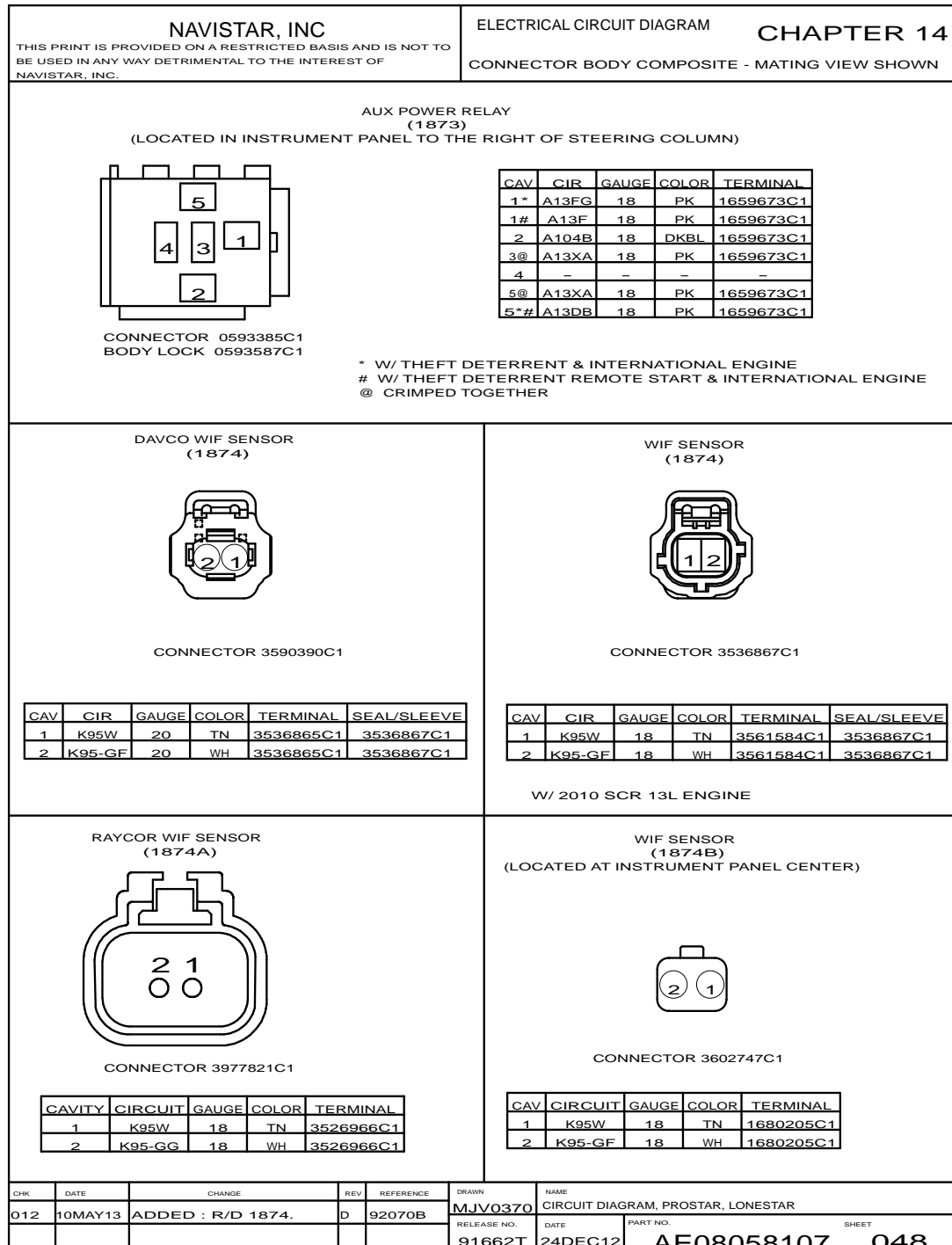


Figure 473 Connector Body Composite (1873), (1874), (1874A), (1874B)

14.94. CONNECTOR BODY COMPOSITE (1874B), (1874C), (1901), (1903), P. 48A

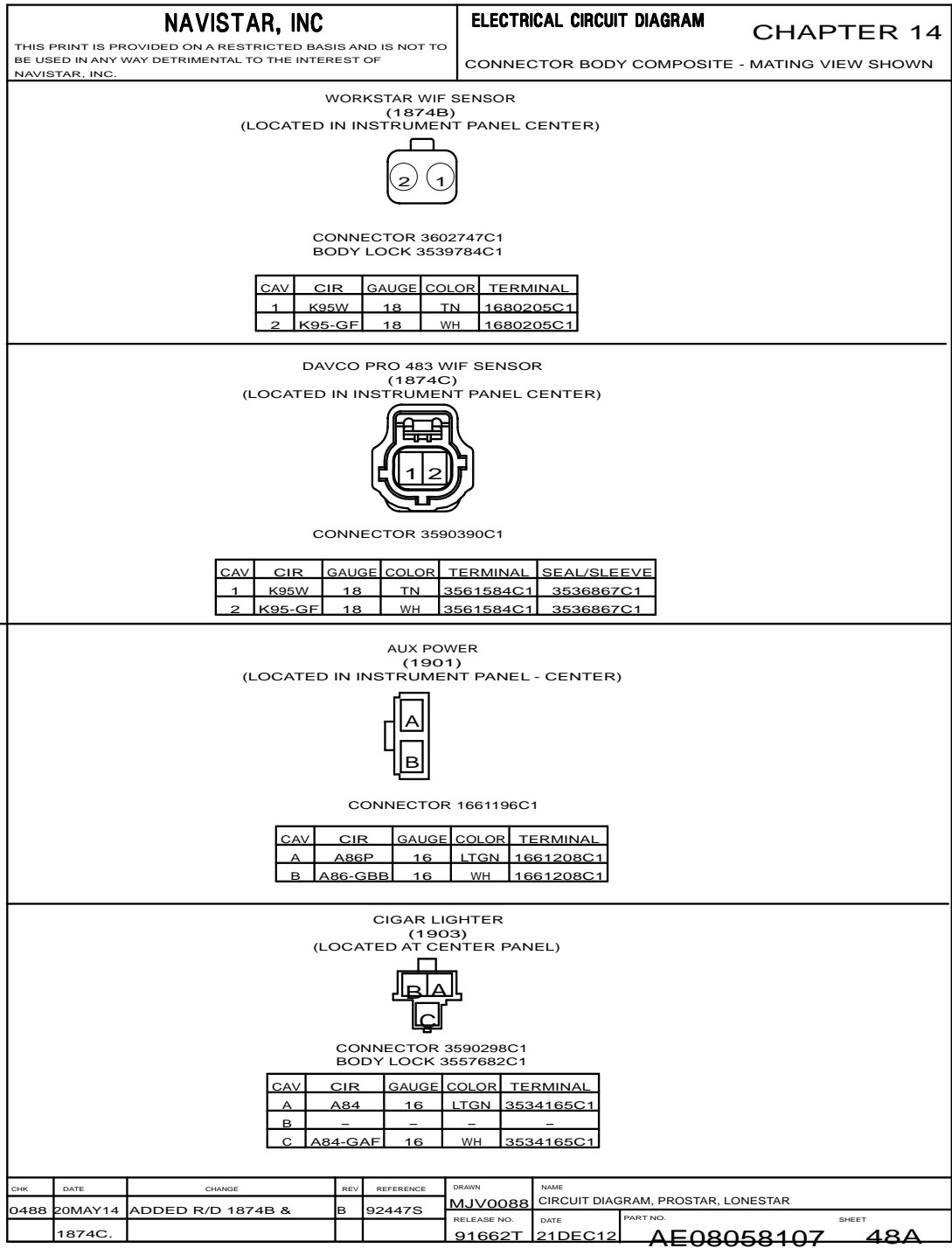


Figure 474 Connector Body Composite (1874B), (1874C), (1901), (1903)

14.95. CONNECTOR BODY COMPOSITE (1906), (1907), (1909M), (1910), (1911), (1912), (1916), P. 49

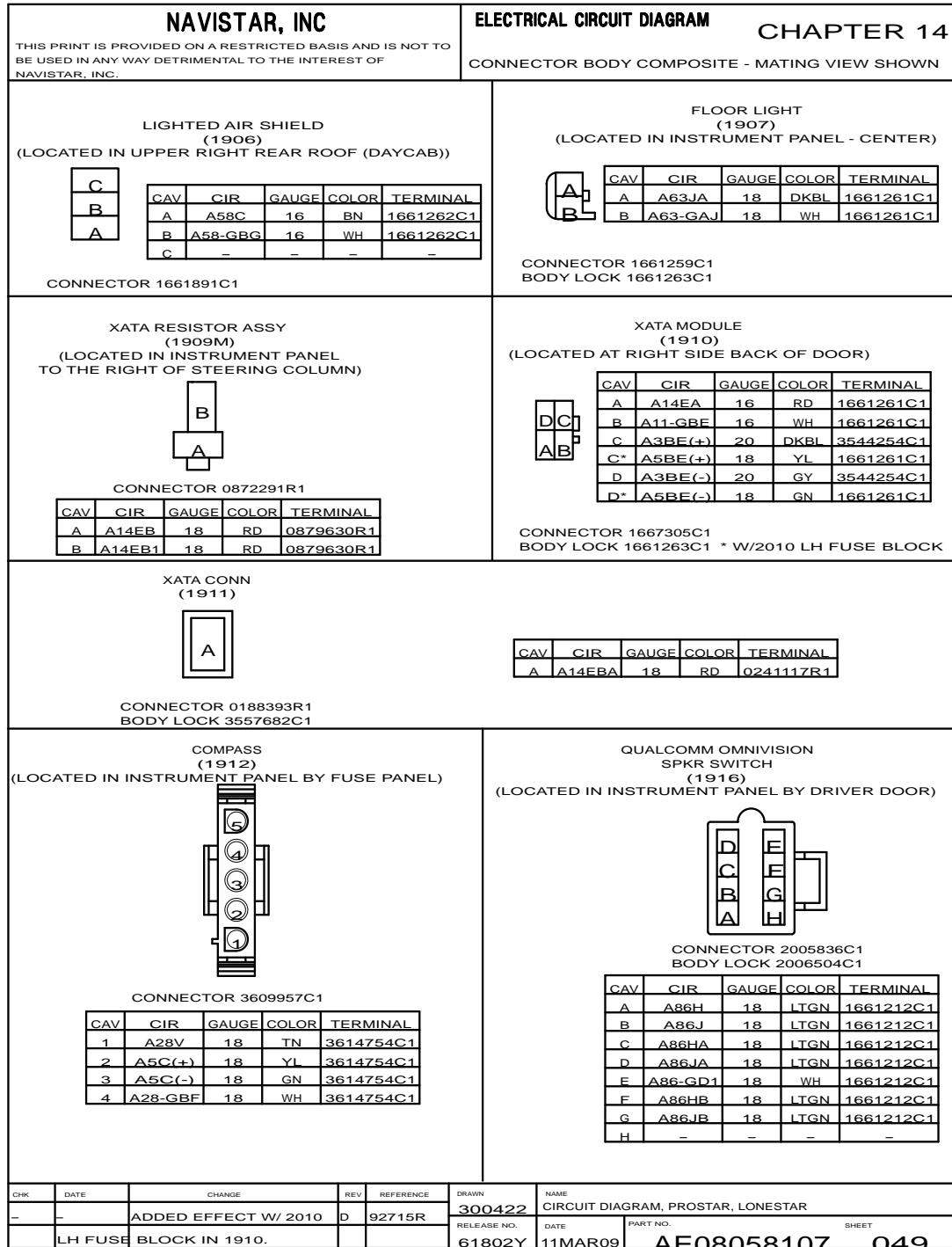


Figure 475 Connector Body Composite (1906), (1907), (1909M), (1910), (1911), (1912), (1916)

14.96. CONNECTOR BODY COMPOSITE (1917), (1918), (1918A), (1918B), (1919), (1919A), (1919B), (1920), P. 50

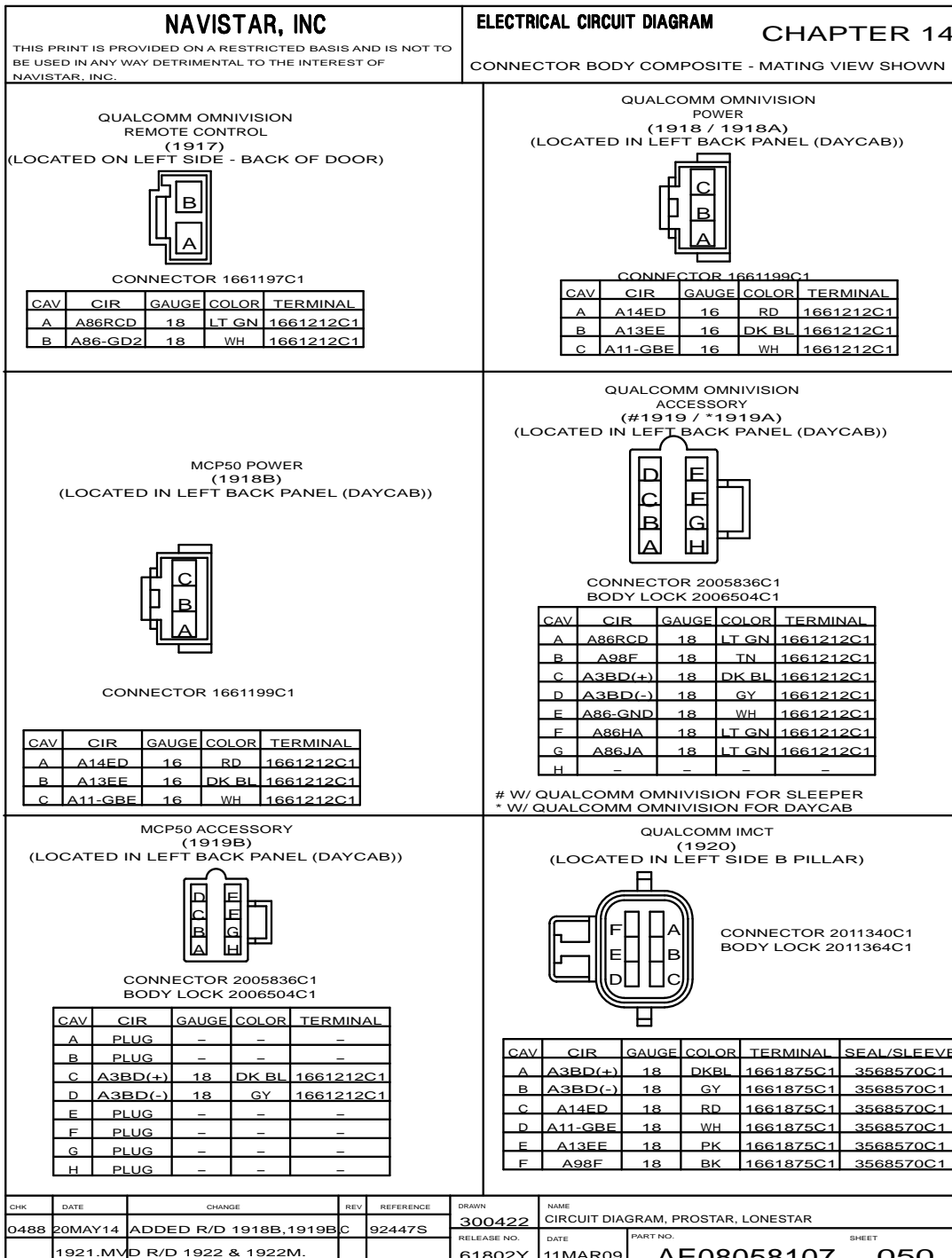


Figure 476 Connector Body Composite (1917), (1918), (1918A), (1918B), (1919), (1919A), (1919B), (1920)

14.97. CONNECTOR BODY COMPOSITE (1921), (1922), (1922M), (1923), P. 50A

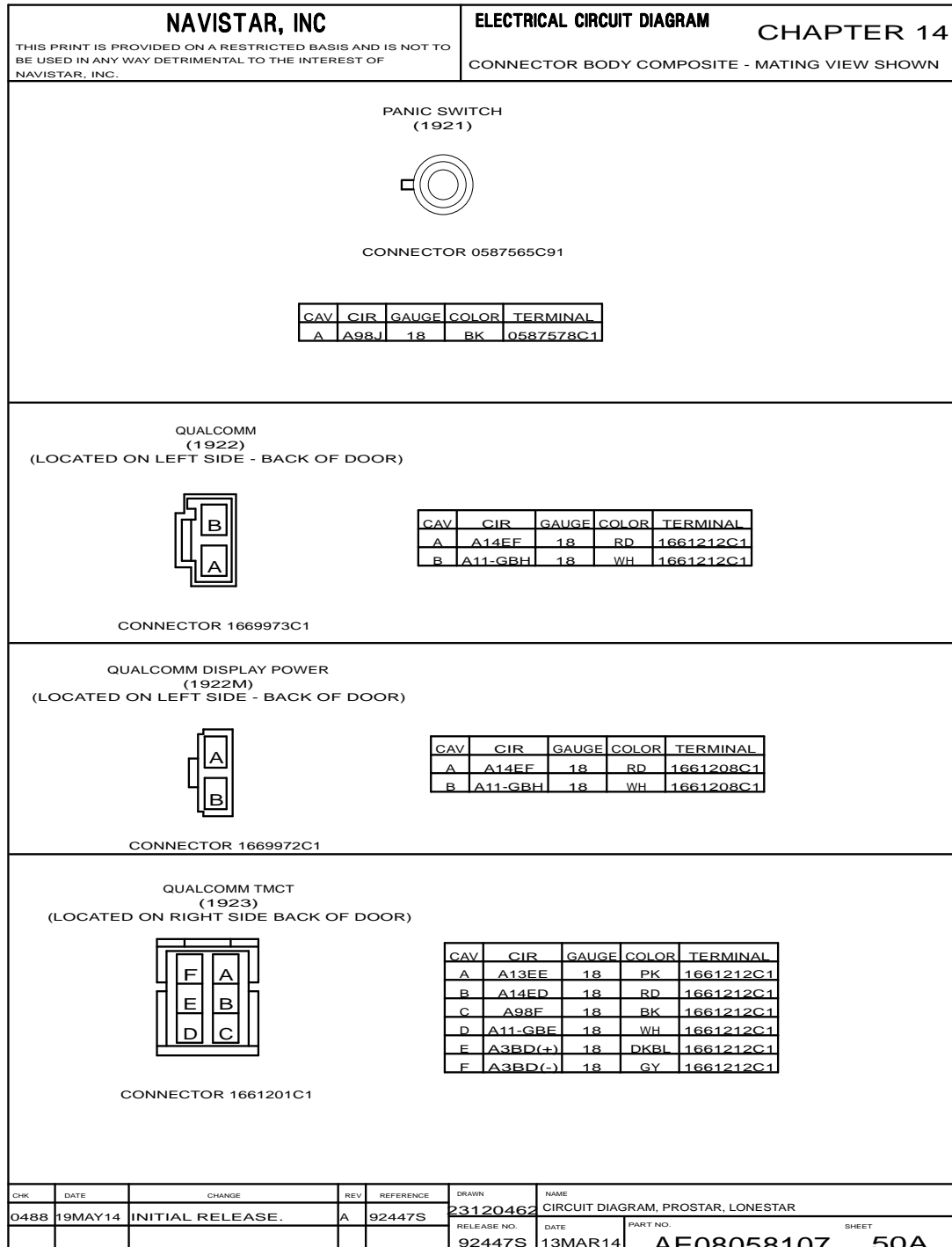


Figure 477 Connector Body Composite (1921), (1922), (1922M), (1923)

14.98. CONNECTOR BODY COMPOSITE (1924), (1924M), (1925F), (1930), P. 51

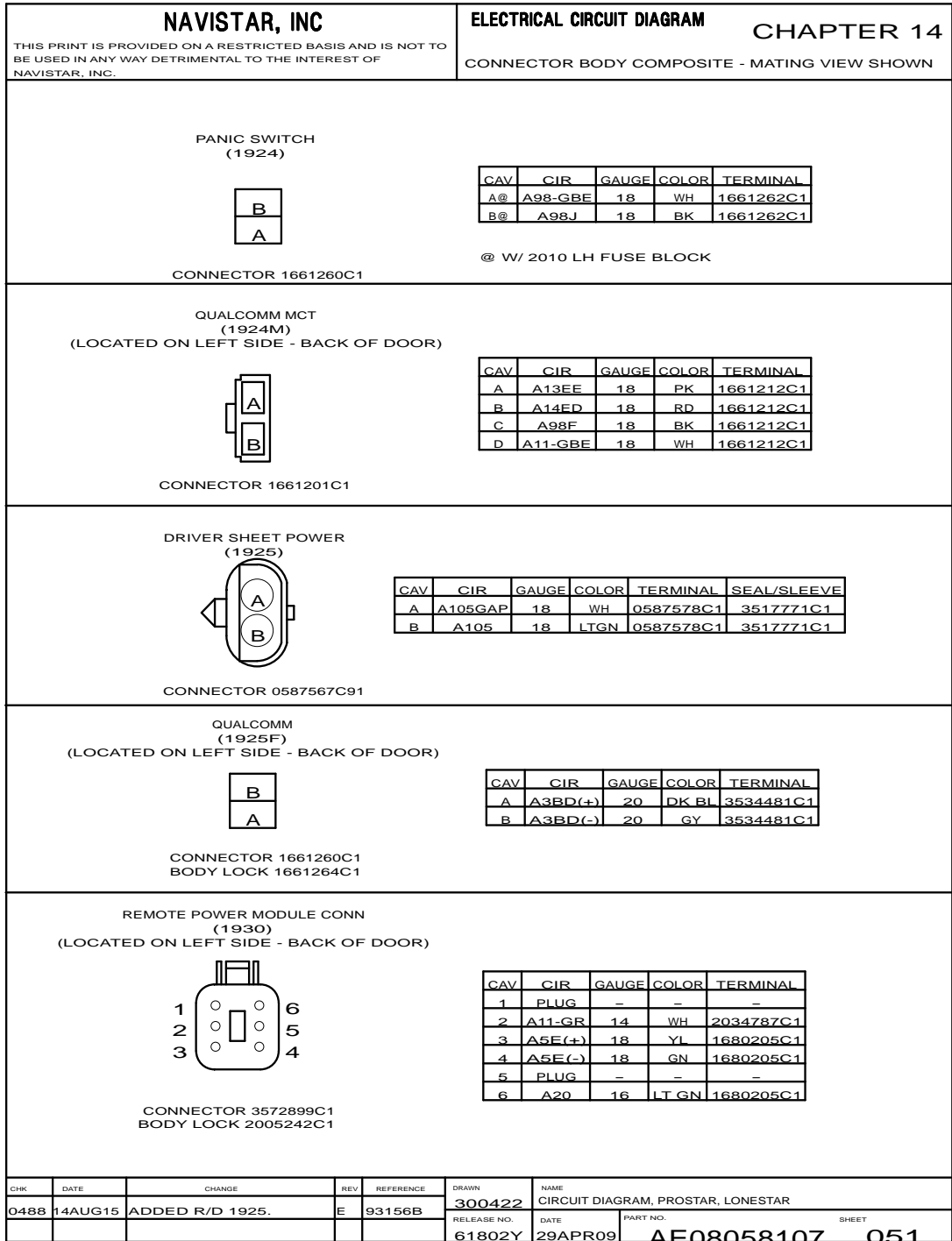


Figure 478 Connector Body Composite (1924), (1924M), (1925F), (1930)

14.99. CONNECTOR BODY COMPOSITE (1932), (1933), (1934M), (1935M), (1935N), (1936M), (1937M), (1937N), P. 52

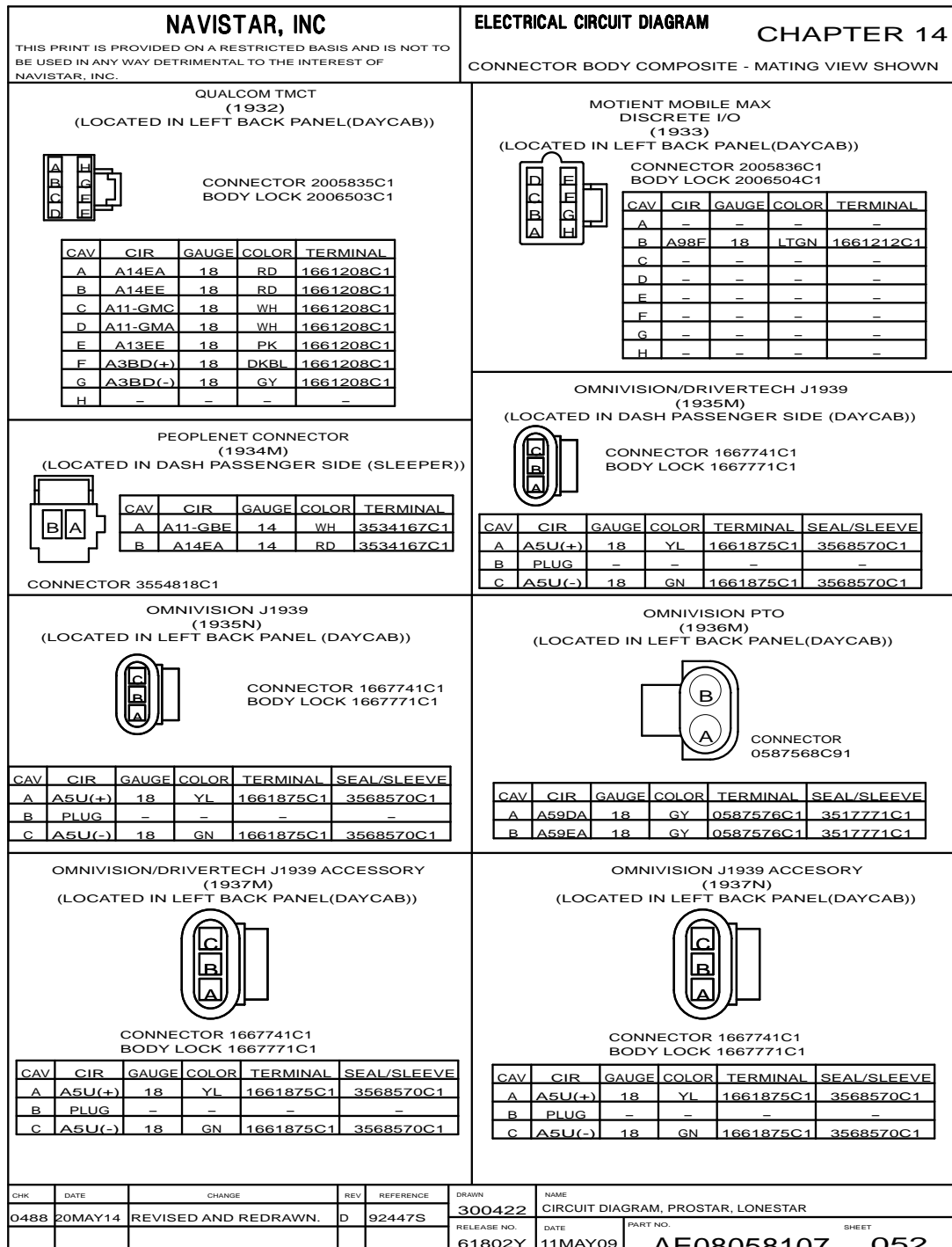


Figure 479 Connector Body Composite (1932), (1933), (1934M), (1935M), (1935N), (1936M), (1937M), (1937N)

14.100. CONNECTOR BODY COMPOSITE (1937P), (1938M), (1939), (1939M), (1939N), (1942F), P. 52A

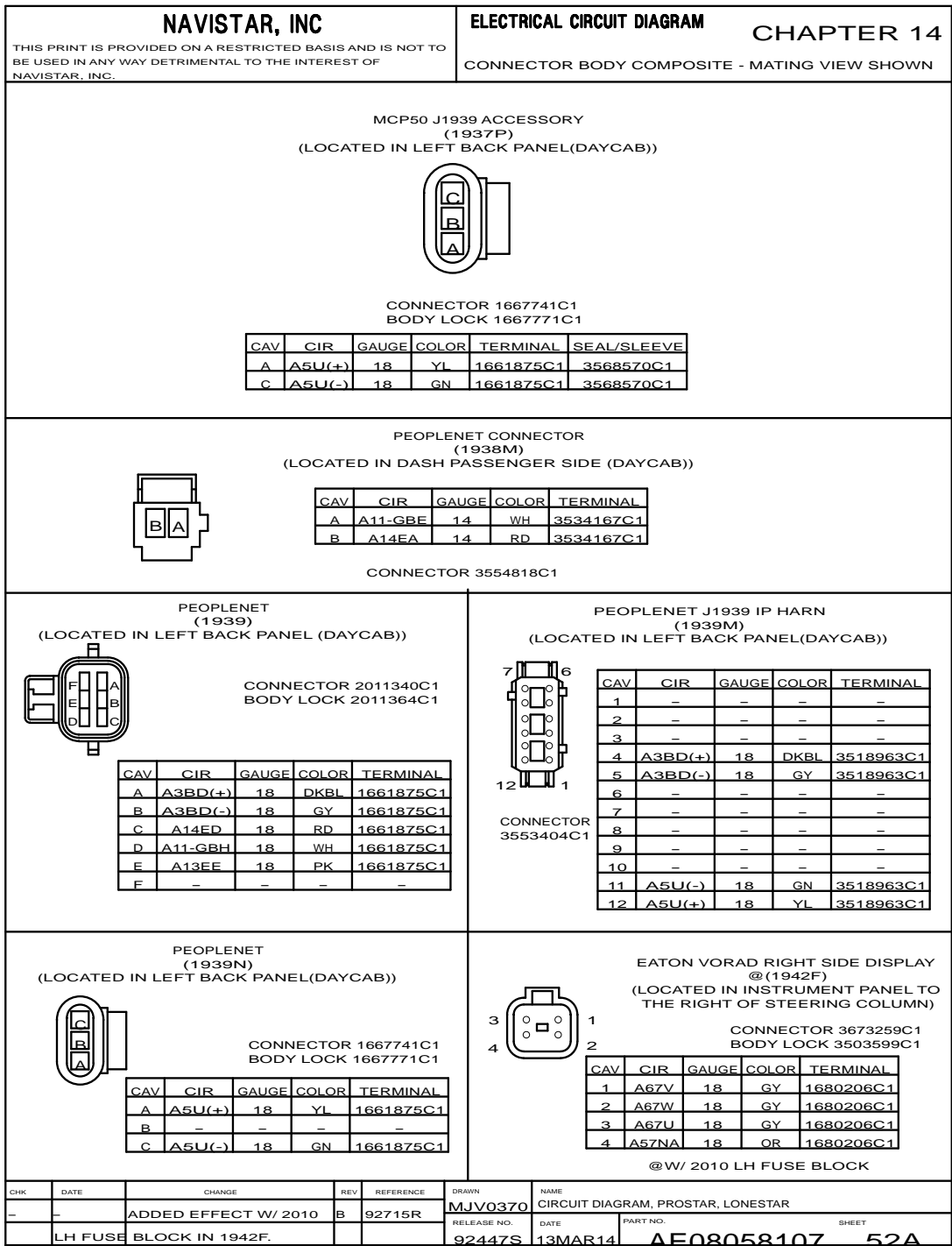


Figure 480 Connector Body Composite (1937P), (1938M), (1939), (1939M), (1939N), (1942F)



14.101. CONNECTOR BODY COMPOSITE (1943M), (1946F), (1948), (1949), (1950), P. 53

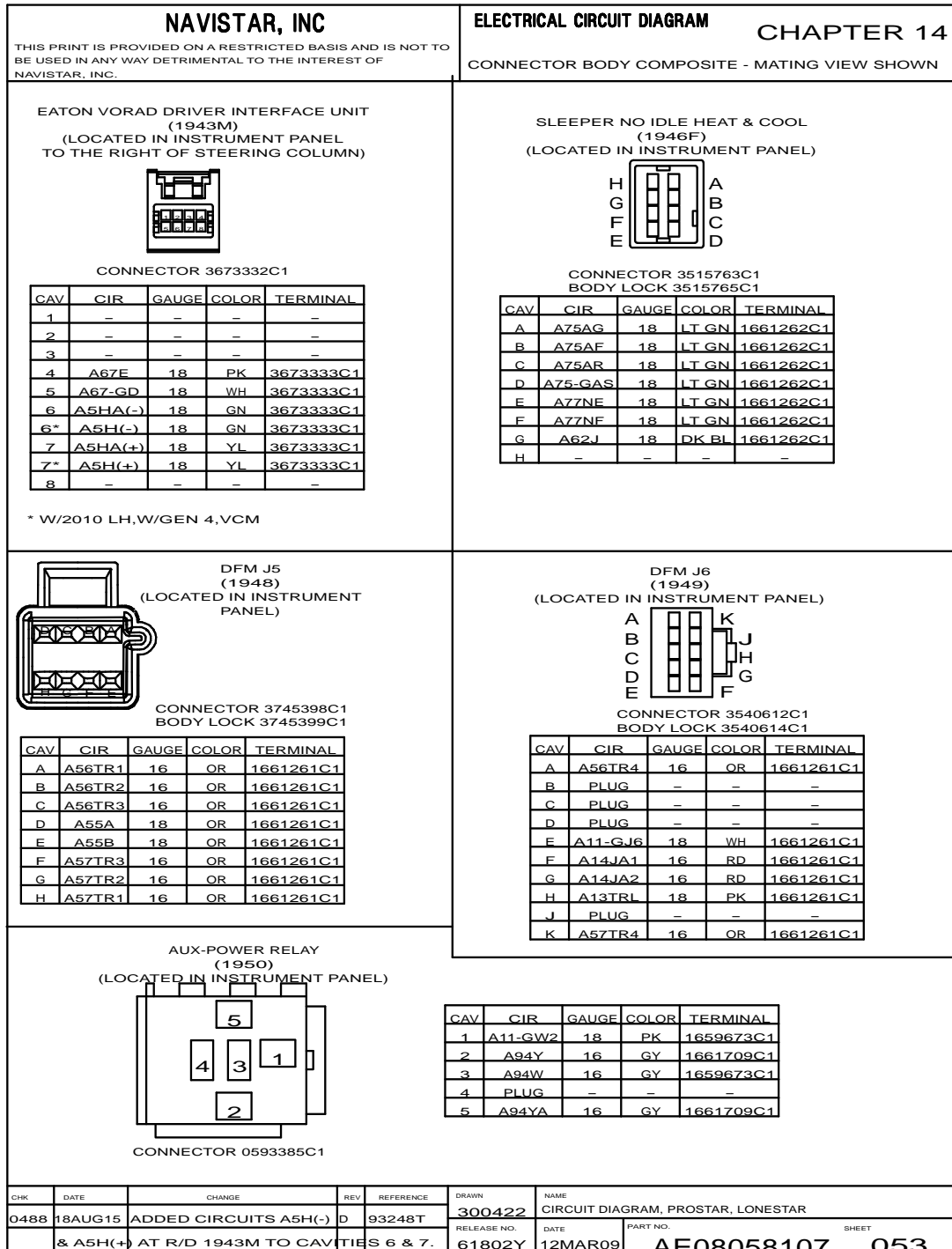


Figure 481 Connector Body Composite (1943M), (1946F), (1948), (1949), (1950)

14.102. CONNECTOR BODY COMPOSITE (1951), (1953), (1960), P. 53A

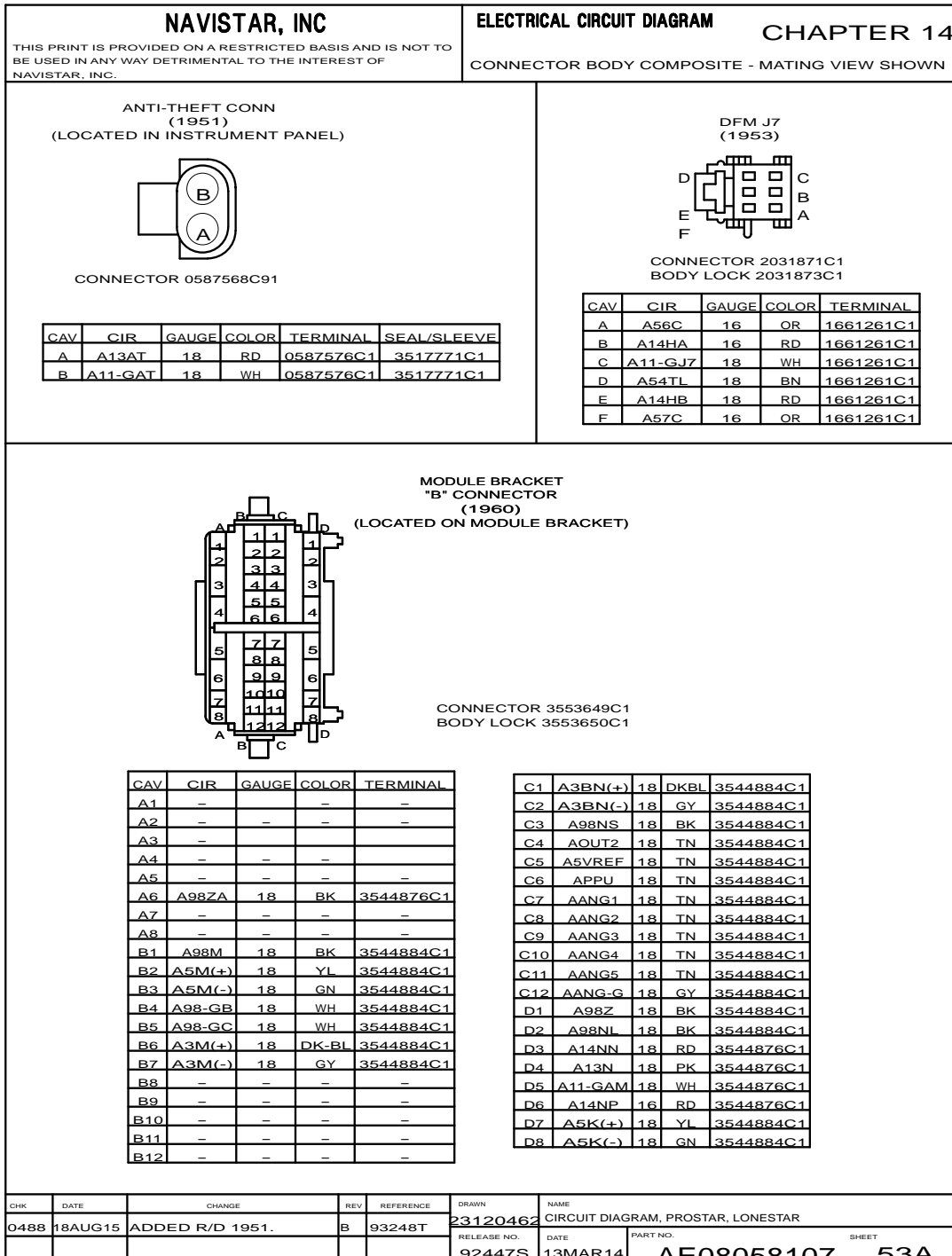


Figure 482 Connector Body Composite (1951), (1953), (1960)

14.103. CONNECTOR BODY COMPOSITE (1961), (1962), P. 54

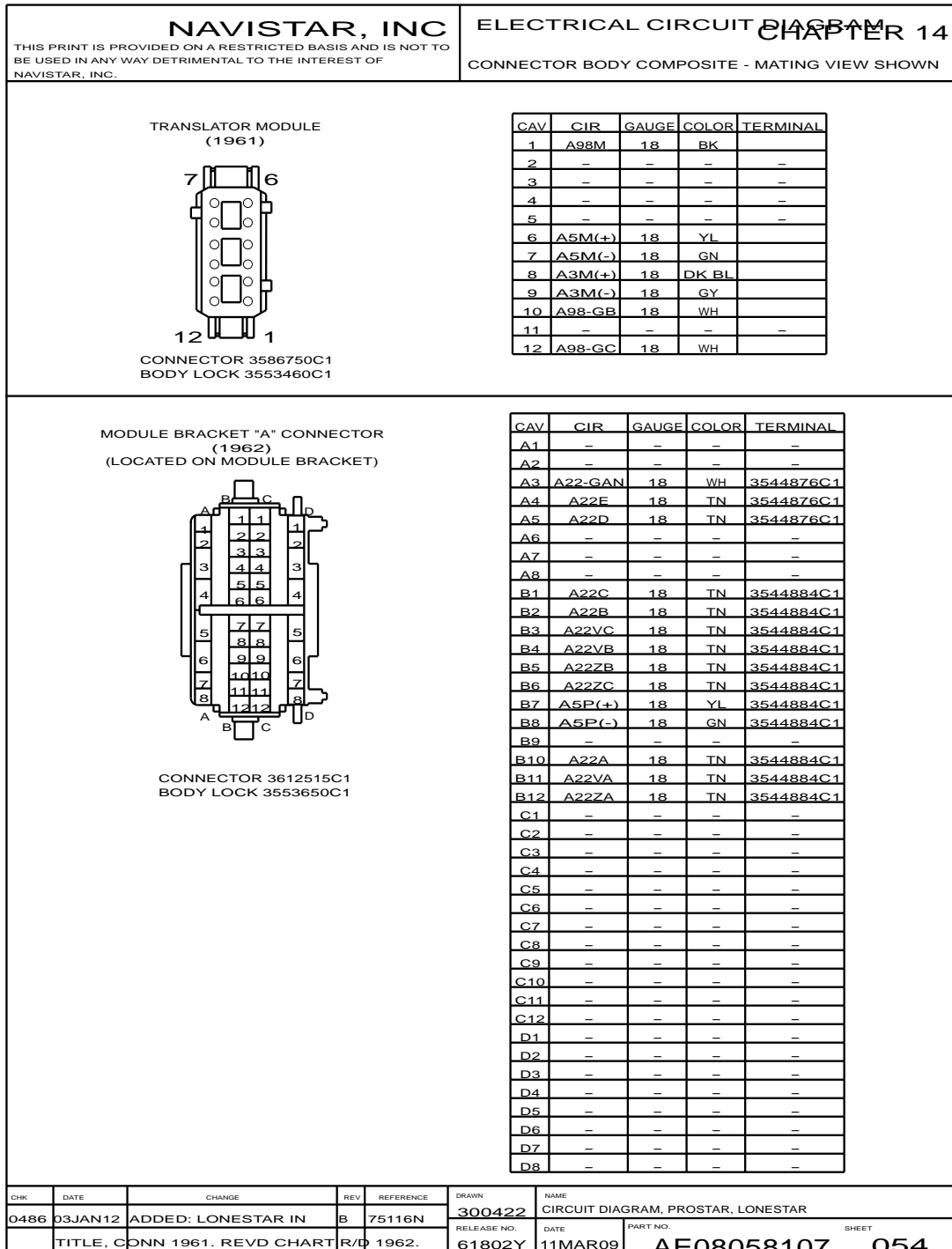


Figure 483 Connector Body Composite (1961), (1962)

14.104. CONNECTOR BODY COMPOSITE (1965), P. 54A

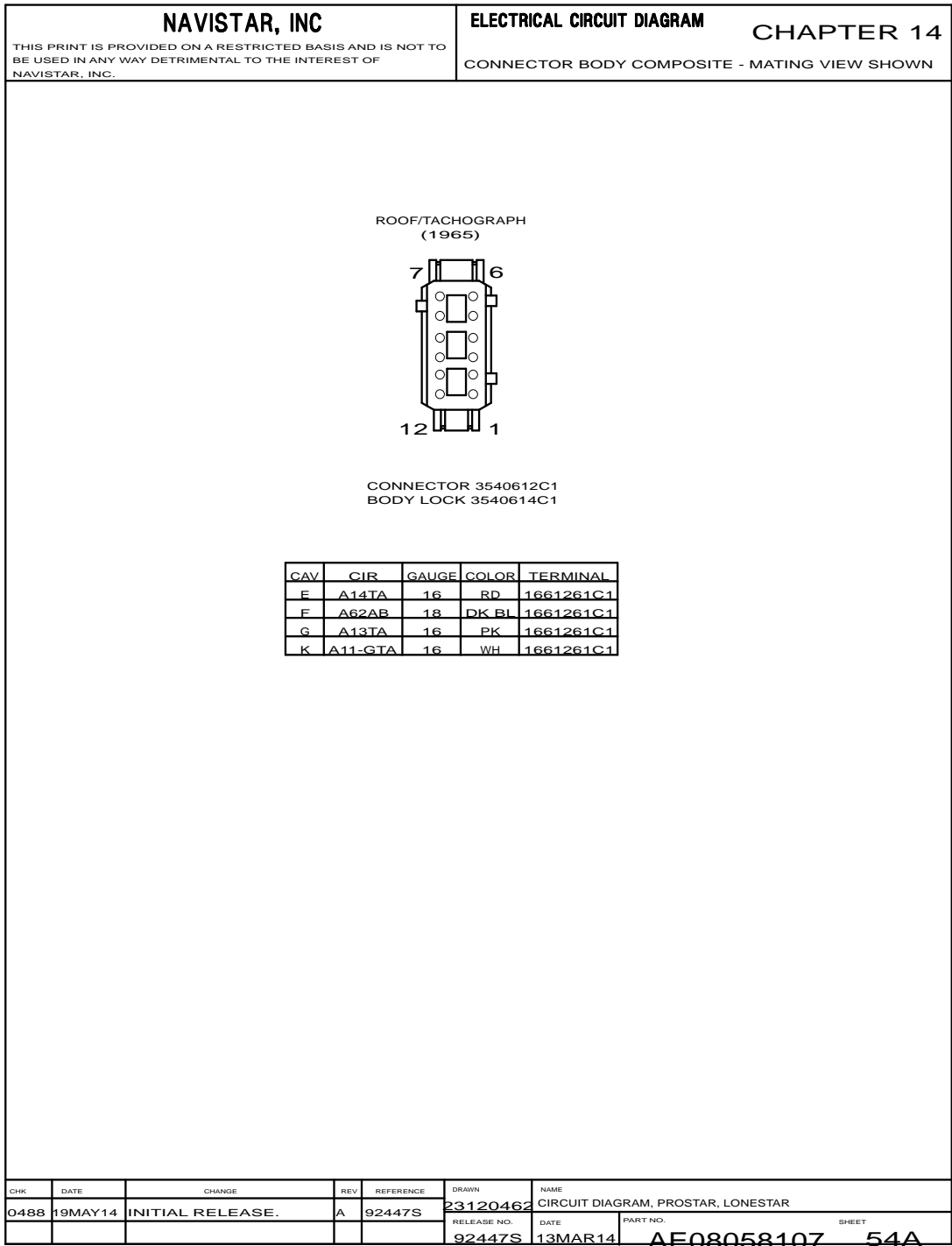


Figure 484 Connector Body Composite (1965)

14.105. INTENTIONALLY LEFT BLANK, P. 55

<b>NAVISTAR, INC</b>				<b>ELECTRICAL CIRCUIT DIAGRAM</b>				
THIS PRINT IS PROVIDED ON A RESTRICTED BASIS AND IS NOT TO BE USED IN ANY WAY DETRIMENTAL TO THE INTEREST OF NAVISTAR, INC.				<b>CHAPTER 14</b>				
<p style="font-size: 24px; margin: 0;">INTENTIONALLY LEFT BLANK</p>								
CONNECTOR BODY COMPOSITE - MATING VIEW SHOWN								
CHK	DATE	CHANGE	REV	REFERENCE	DRAWN	NAME		
0486	03JAN12	ADDED: LONESTAR IN	B	75116N	300422	CIRCUIT DIAGRAM, PROSTAR, LONESTAR		
					RELEASE NO.	DATE	PART NO.	SHEET
					61802Y	29APR09	AE08058107	055

Figure 485 Intentionally Left Blank

14.106. CONNECTOR BODY COMPOSITE (1970), (1978), (1979), (1979A), P. 56

<b>NAVISTAR, INC</b>				<b>ELECTRICAL CIRCUIT DIAGRAM</b>		<b>CHAPTER 14</b>																																																																																																																														
THIS PRINT IS PROVIDED ON A RESTRICTED BASIS AND IS NOT TO BE USED IN ANY WAY DETRIMENTAL TO THE INTEREST OF NAVISTAR, INC.				CONNECTOR BODY COMPOSITE - MATING VIEW SHOWN																																																																																																																																
SATELLITE COMMUNICATIONS (1970) (LOCATED ON RIGHT SIDE BACK OF DOOR)				<table border="1" style="width:100%; border-collapse: collapse;"> <thead> <tr> <th>CAV</th> <th>CIR</th> <th>GAUGE</th> <th>COLOR</th> <th>TERMINAL</th> <th>SEAL/SLEEVE</th> </tr> </thead> <tbody> <tr><td>A*</td><td>A14SD</td><td>18</td><td>RD</td><td>1661875C1</td><td>3568570C1</td></tr> <tr><td>A*</td><td>A14EA</td><td>16</td><td>RD</td><td>1661875C1</td><td>1661872C1</td></tr> <tr><td>A*</td><td>A14ED</td><td>18</td><td>RD</td><td>1661875C1</td><td>3568570C1</td></tr> <tr><td>B*</td><td>A13SD</td><td>18</td><td>PK</td><td>1661875C1</td><td>3568570C1</td></tr> <tr><td>B*</td><td>A13EE</td><td>18</td><td>PK</td><td>1661875C1</td><td>3568570C1</td></tr> <tr><td>C</td><td>A3BD(-)</td><td>18</td><td>GY</td><td>1661875C1</td><td>3568570C1</td></tr> <tr><td>D</td><td>A3BD(+)</td><td>18</td><td>DK BL</td><td>1661875C1</td><td>3568570C1</td></tr> <tr><td>E*</td><td>A14EBA</td><td>18</td><td>RD</td><td>1661875C1</td><td>3568570C1</td></tr> <tr><td>E*</td><td>A98F</td><td>18</td><td>TN</td><td>1661875C1</td><td>3568570C1</td></tr> <tr><td>F*</td><td>A98J</td><td>18</td><td>BK</td><td>1661875C1</td><td>3568570C1</td></tr> <tr><td>F*</td><td>A11-GBE</td><td>18</td><td>WH</td><td>1661875C1</td><td>3568570C1</td></tr> <tr><td>G</td><td>PLUG</td><td>-</td><td>-</td><td>2025431C1</td><td>2025431C1</td></tr> <tr><td>H</td><td>PLUG</td><td>-</td><td>-</td><td>2025431C1</td><td>2025431C1</td></tr> <tr><td>J</td><td>A70E</td><td>18</td><td>OR</td><td>1661875C1</td><td>3568570C1</td></tr> <tr><td>K</td><td>A50S</td><td>18</td><td>YL</td><td>1661875C1</td><td>3568570C1</td></tr> </tbody> </table>				CAV	CIR	GAUGE	COLOR	TERMINAL	SEAL/SLEEVE	A*	A14SD	18	RD	1661875C1	3568570C1	A*	A14EA	16	RD	1661875C1	1661872C1	A*	A14ED	18	RD	1661875C1	3568570C1	B*	A13SD	18	PK	1661875C1	3568570C1	B*	A13EE	18	PK	1661875C1	3568570C1	C	A3BD(-)	18	GY	1661875C1	3568570C1	D	A3BD(+)	18	DK BL	1661875C1	3568570C1	E*	A14EBA	18	RD	1661875C1	3568570C1	E*	A98F	18	TN	1661875C1	3568570C1	F*	A98J	18	BK	1661875C1	3568570C1	F*	A11-GBE	18	WH	1661875C1	3568570C1	G	PLUG	-	-	2025431C1	2025431C1	H	PLUG	-	-	2025431C1	2025431C1	J	A70E	18	OR	1661875C1	3568570C1	K	A50S	18	YL	1661875C1	3568570C1																													
CAV	CIR	GAUGE	COLOR	TERMINAL	SEAL/SLEEVE																																																																																																																															
A*	A14SD	18	RD	1661875C1	3568570C1																																																																																																																															
A*	A14EA	16	RD	1661875C1	1661872C1																																																																																																																															
A*	A14ED	18	RD	1661875C1	3568570C1																																																																																																																															
B*	A13SD	18	PK	1661875C1	3568570C1																																																																																																																															
B*	A13EE	18	PK	1661875C1	3568570C1																																																																																																																															
C	A3BD(-)	18	GY	1661875C1	3568570C1																																																																																																																															
D	A3BD(+)	18	DK BL	1661875C1	3568570C1																																																																																																																															
E*	A14EBA	18	RD	1661875C1	3568570C1																																																																																																																															
E*	A98F	18	TN	1661875C1	3568570C1																																																																																																																															
F*	A98J	18	BK	1661875C1	3568570C1																																																																																																																															
F*	A11-GBE	18	WH	1661875C1	3568570C1																																																																																																																															
G	PLUG	-	-	2025431C1	2025431C1																																																																																																																															
H	PLUG	-	-	2025431C1	2025431C1																																																																																																																															
J	A70E	18	OR	1661875C1	3568570C1																																																																																																																															
K	A50S	18	YL	1661875C1	3568570C1																																																																																																																															
				* MUTUALLY EXCLUSIVE																																																																																																																																
CONNECTOR 3538635C1 BODY LOCK 3538636C1																																																																																																																																				
COGNEX CONN (1978)				SDP CONN (1979)																																																																																																																																
CONNECTOR 3540612C1 BODY LOCK 3540614C1				CONNECTOR 3831401C1																																																																																																																																
<table border="1" style="width:100%; border-collapse: collapse;"> <thead> <tr> <th>CAV</th> <th>CIR</th> <th>GAUGE</th> <th>COLOR</th> <th>TERMINAL</th> </tr> </thead> <tbody> <tr><td>A</td><td>-</td><td>-</td><td>-</td><td>-</td></tr> <tr><td>B</td><td>-</td><td>-</td><td>-</td><td>-</td></tr> <tr><td>C</td><td>D13COG</td><td>16</td><td>PK</td><td>1661261C1</td></tr> <tr><td>D</td><td>D11COG</td><td>18</td><td>WH</td><td>1661261C1</td></tr> <tr><td>E</td><td>D5DA(-)</td><td>18</td><td>GN</td><td>1661261C1</td></tr> <tr><td>F</td><td>D5DA(+)</td><td>18</td><td>YL</td><td>1661261C1</td></tr> <tr><td>G</td><td>D67COG</td><td>20</td><td>GY</td><td>3544254C1</td></tr> <tr><td>H</td><td>D14CSB</td><td>16</td><td>RD</td><td>1661261C1</td></tr> <tr><td>J</td><td>D5CA(+)</td><td>18</td><td>YL</td><td>1661261C1</td></tr> <tr><td>K</td><td>D5CA(-)</td><td>18</td><td>GN</td><td>1661261C1</td></tr> </tbody> </table>				CAV	CIR	GAUGE	COLOR	TERMINAL	A	-	-	-	-	B	-	-	-	-	C	D13COG	16	PK	1661261C1	D	D11COG	18	WH	1661261C1	E	D5DA(-)	18	GN	1661261C1	F	D5DA(+)	18	YL	1661261C1	G	D67COG	20	GY	3544254C1	H	D14CSB	16	RD	1661261C1	J	D5CA(+)	18	YL	1661261C1	K	D5CA(-)	18	GN	1661261C1	<table border="1" style="width:100%; border-collapse: collapse;"> <thead> <tr> <th>CAV</th> <th>CIR</th> <th>GAUGE</th> <th>COLOR</th> <th>TERMINAL</th> </tr> </thead> <tbody> <tr><td>1</td><td>D14CSB3</td><td>20</td><td>RD</td><td>3535805C1</td></tr> <tr><td>2</td><td>DYELLOW</td><td>20</td><td>YL</td><td>3535805C1</td></tr> <tr><td>2@</td><td>D232-TX</td><td>20</td><td>YL</td><td>3535805C1</td></tr> <tr><td>2@</td><td>D232-RX</td><td>20</td><td>LT GN</td><td>3535805C1</td></tr> <tr><td>5</td><td>D5CC(+)</td><td>20</td><td>YL</td><td>3535805C1</td></tr> <tr><td>6</td><td>D5CC(-)</td><td>20</td><td>GN</td><td>3535805C1</td></tr> <tr><td>7</td><td>D67COG</td><td>20</td><td>GY</td><td>3535805C1</td></tr> <tr><td>9</td><td>D13COG3</td><td>20</td><td>PK</td><td>3535805C1</td></tr> <tr><td>10</td><td>DGREENL</td><td>20</td><td>LT GN</td><td>3535805C1</td></tr> <tr><td>11</td><td>DGREENR</td><td>20</td><td>LT GN</td><td>3535805C1</td></tr> <tr><td>12</td><td>D5DC(+)</td><td>20</td><td>YL</td><td>3535805C1</td></tr> <tr><td>13</td><td>D5DC(-)</td><td>20</td><td>GN</td><td>3535805C1</td></tr> <tr><td>16</td><td>D11COG3</td><td>20</td><td>WH</td><td>3535805C1</td></tr> </tbody> </table>				CAV	CIR	GAUGE	COLOR	TERMINAL	1	D14CSB3	20	RD	3535805C1	2	DYELLOW	20	YL	3535805C1	2@	D232-TX	20	YL	3535805C1	2@	D232-RX	20	LT GN	3535805C1	5	D5CC(+)	20	YL	3535805C1	6	D5CC(-)	20	GN	3535805C1	7	D67COG	20	GY	3535805C1	9	D13COG3	20	PK	3535805C1	10	DGREENL	20	LT GN	3535805C1	11	DGREENR	20	LT GN	3535805C1	12	D5DC(+)	20	YL	3535805C1	13	D5DC(-)	20	GN	3535805C1	16	D11COG3	20	WH	3535805C1
CAV	CIR	GAUGE	COLOR	TERMINAL																																																																																																																																
A	-	-	-	-																																																																																																																																
B	-	-	-	-																																																																																																																																
C	D13COG	16	PK	1661261C1																																																																																																																																
D	D11COG	18	WH	1661261C1																																																																																																																																
E	D5DA(-)	18	GN	1661261C1																																																																																																																																
F	D5DA(+)	18	YL	1661261C1																																																																																																																																
G	D67COG	20	GY	3544254C1																																																																																																																																
H	D14CSB	16	RD	1661261C1																																																																																																																																
J	D5CA(+)	18	YL	1661261C1																																																																																																																																
K	D5CA(-)	18	GN	1661261C1																																																																																																																																
CAV	CIR	GAUGE	COLOR	TERMINAL																																																																																																																																
1	D14CSB3	20	RD	3535805C1																																																																																																																																
2	DYELLOW	20	YL	3535805C1																																																																																																																																
2@	D232-TX	20	YL	3535805C1																																																																																																																																
2@	D232-RX	20	LT GN	3535805C1																																																																																																																																
5	D5CC(+)	20	YL	3535805C1																																																																																																																																
6	D5CC(-)	20	GN	3535805C1																																																																																																																																
7	D67COG	20	GY	3535805C1																																																																																																																																
9	D13COG3	20	PK	3535805C1																																																																																																																																
10	DGREENL	20	LT GN	3535805C1																																																																																																																																
11	DGREENR	20	LT GN	3535805C1																																																																																																																																
12	D5DC(+)	20	YL	3535805C1																																																																																																																																
13	D5DC(-)	20	GN	3535805C1																																																																																																																																
16	D11COG3	20	WH	3535805C1																																																																																																																																
				@ SLPR W/BENDIX FUSION SAFETY DIRECT																																																																																																																																
<table border="1" style="width:100%; border-collapse: collapse;"> <thead> <tr> <th>CAV</th> <th>CIR</th> <th>GAUGE</th> <th>COLOR</th> <th>TERMINAL</th> </tr> </thead> <tbody> <tr><td>1</td><td>D14CSB2</td><td>20</td><td>RD</td><td>6127313C1</td></tr> <tr><td>2</td><td>-</td><td>-</td><td>-</td><td>-</td></tr> <tr><td>3</td><td>D5CE(-)</td><td>20</td><td>GN</td><td>6127313C1</td></tr> <tr><td>4</td><td>D5CE(+)</td><td>20</td><td>YL</td><td>6127313C1</td></tr> <tr><td>5</td><td>-</td><td>-</td><td>-</td><td>-</td></tr> <tr><td>6</td><td>D5DB(-)</td><td>20</td><td>GN</td><td>6127313C1</td></tr> <tr><td>7</td><td>D5DB(+)</td><td>20</td><td>YL</td><td>6127313C1</td></tr> <tr><td>8</td><td>D11COG2</td><td>20</td><td>WH</td><td>6127313C1</td></tr> <tr><td>9</td><td>D13COG2</td><td>20</td><td>PK</td><td>6127313C1</td></tr> </tbody> </table>				CAV	CIR	GAUGE	COLOR	TERMINAL	1	D14CSB2	20	RD	6127313C1	2	-	-	-	-	3	D5CE(-)	20	GN	6127313C1	4	D5CE(+)	20	YL	6127313C1	5	-	-	-	-	6	D5DB(-)	20	GN	6127313C1	7	D5DB(+)	20	YL	6127313C1	8	D11COG2	20	WH	6127313C1	9	D13COG2	20	PK	6127313C1	CAMERA CONN (1979A)																																																																														
CAV	CIR	GAUGE	COLOR	TERMINAL																																																																																																																																
1	D14CSB2	20	RD	6127313C1																																																																																																																																
2	-	-	-	-																																																																																																																																
3	D5CE(-)	20	GN	6127313C1																																																																																																																																
4	D5CE(+)	20	YL	6127313C1																																																																																																																																
5	-	-	-	-																																																																																																																																
6	D5DB(-)	20	GN	6127313C1																																																																																																																																
7	D5DB(+)	20	YL	6127313C1																																																																																																																																
8	D11COG2	20	WH	6127313C1																																																																																																																																
9	D13COG2	20	PK	6127313C1																																																																																																																																
				CONNECTOR 4061584C1 BODY LOCK 3540614C1																																																																																																																																
CHK	DATE	CHANGE	REV	REFERENCE	DRAWN	NAME																																																																																																																														
0488	14AUG15	ADDED R/D 1978,1979	D	93156B	300422	CIRCUIT DIAGRAM, PROSTAR, LONESTAR																																																																																																																														
				RELEASE NO.	DATE	PART NO.	SHEET																																																																																																																													
				61802Y	29APR09	AE08058107	056																																																																																																																													

Figure 486 Connector Body Composite (1970), (1978), (1979), (1979A)

14.107. CONNECTOR BODY COMPOSITE (1992), (2000), P. 57

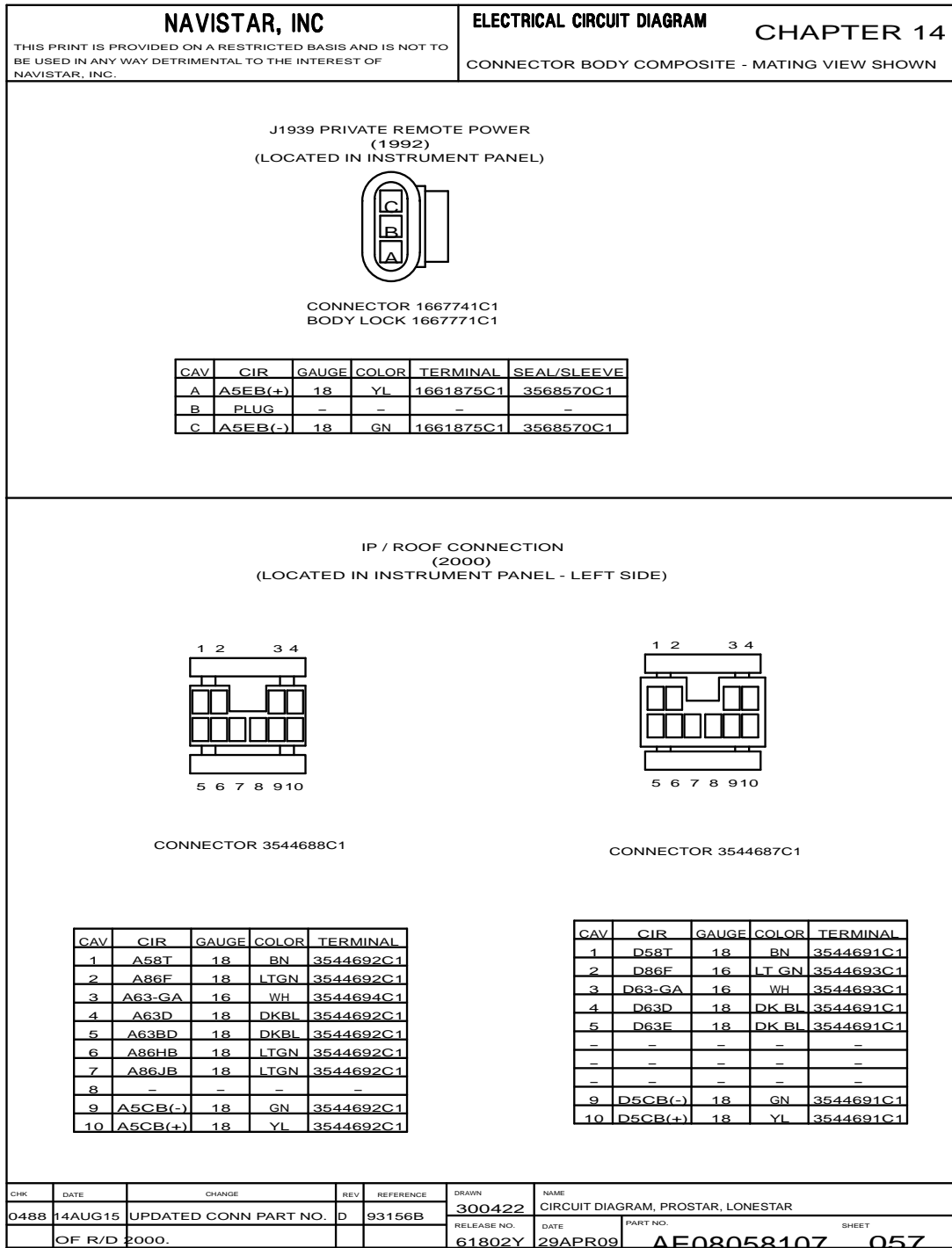


Figure 487 Connector Body Composite (1992), (2000)

14.108. CONNECTOR BODY COMPOSITE (2002M), (2003M), (2004M), (2005M), (2006M), (2007F), P. 58

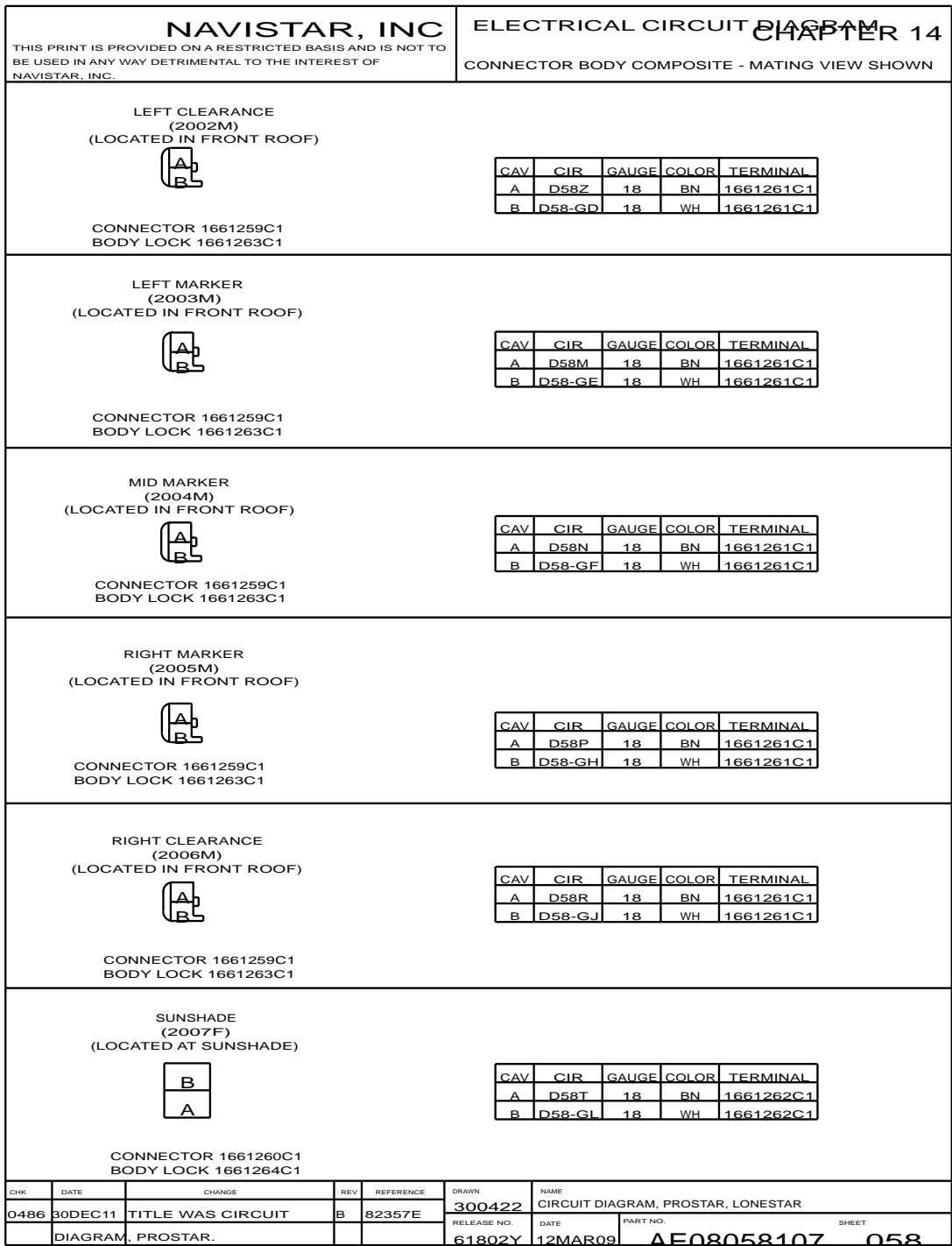


Figure 488 Connector Body Composite (2002M), (2003M), (2004M), (2005M), (2006M), (2007F)



14.109. CONNECTOR BODY COMPOSITE (2010), (2100), (2101), (2102M), (2103M), P. 59

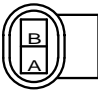

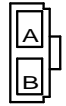

<b>NAVISTAR, INC</b> <small>THIS PRINT IS PROVIDED ON A RESTRICTED BASIS AND IS NOT TO BE USED IN ANY WAY DETRIMENTAL TO THE INTEREST OF NAVISTAR, INC.</small>	<b>ELECTRICAL CIRCUIT DIAGRAM</b> <b>CHAPTER 14</b> CONNECTOR BODY COMPOSITE - MATING VIEW SHOWN																																			
AUTO STOP/START ENGINE OIL TEMP SENSOR (2010)   CONNECTOR 2036584C1	<table border="1" style="width:100%; border-collapse: collapse;"> <thead> <tr> <th>CAVITY</th> <th>CIRCUIT</th> <th>GAUGE</th> <th>COLOR</th> <th>TERMINAL</th> </tr> </thead> <tbody> <tr> <td>A</td> <td>K30BC</td> <td>16</td> <td>TN</td> <td>2036586C1</td> </tr> <tr> <td>B</td> <td>K9AA</td> <td>18</td> <td>GY</td> <td>2036586C1</td> </tr> </tbody> </table> <p style="text-align: center;">W/ 2010 SCR 13L ENG</p>	CAVITY	CIRCUIT	GAUGE	COLOR	TERMINAL	A	K30BC	16	TN	2036586C1	B	K9AA	18	GY	2036586C1																				
CAVITY	CIRCUIT	GAUGE	COLOR	TERMINAL																																
A	K30BC	16	TN	2036586C1																																
B	K9AA	18	GY	2036586C1																																
HEADLINER TO DOME LIGHT (2100) (LOCATED IN CAB ROOF)   CONNECTOR 1661198C1	<table border="1" style="width:100%; border-collapse: collapse;"> <thead> <tr> <th>CAV</th> <th>CIR</th> <th>GAUGE</th> <th>COLOR</th> <th>TERMINAL</th> </tr> </thead> <tbody> <tr> <td>A</td> <td>C63-GE</td> <td>18</td> <td>WH</td> <td>1661261C1</td> </tr> <tr> <td>A*</td> <td>C63F</td> <td>18</td> <td>DKBL</td> <td>1661261C1</td> </tr> <tr> <td>B</td> <td>C63D</td> <td>18</td> <td>DKBL</td> <td>1661261C1</td> </tr> <tr> <td>B*</td> <td>C63-GE</td> <td>18</td> <td>WH</td> <td>1661261C1</td> </tr> <tr> <td>C</td> <td>C63E</td> <td>18</td> <td>DKBL</td> <td>1661261C1</td> </tr> <tr> <td>C*</td> <td>C63D</td> <td>18</td> <td>DKBL</td> <td>1661261C1</td> </tr> </tbody> </table> <p style="text-align: center;">* W/ BENDIX FUSION</p>	CAV	CIR	GAUGE	COLOR	TERMINAL	A	C63-GE	18	WH	1661261C1	A*	C63F	18	DKBL	1661261C1	B	C63D	18	DKBL	1661261C1	B*	C63-GE	18	WH	1661261C1	C	C63E	18	DKBL	1661261C1	C*	C63D	18	DKBL	1661261C1
CAV	CIR	GAUGE	COLOR	TERMINAL																																
A	C63-GE	18	WH	1661261C1																																
A*	C63F	18	DKBL	1661261C1																																
B	C63D	18	DKBL	1661261C1																																
B*	C63-GE	18	WH	1661261C1																																
C	C63E	18	DKBL	1661261C1																																
C*	C63D	18	DKBL	1661261C1																																
HEADLINER TO ROOF HARNESS (2101)   CONNECTOR 1669972C1	<table border="1" style="width:100%; border-collapse: collapse;"> <thead> <tr> <th>CAV</th> <th>CIR</th> <th>GAUGE</th> <th>COLOR</th> <th>TERMINAL</th> </tr> </thead> <tbody> <tr> <td>A#</td> <td>D63L</td> <td>18</td> <td>BL</td> <td>1661212C1</td> </tr> <tr> <td>A**</td> <td>D63D</td> <td>18</td> <td>DKBL</td> <td>1661208C1</td> </tr> <tr> <td>A*</td> <td>D63-GM</td> <td>18</td> <td>DKBL</td> <td>1661208C1</td> </tr> <tr> <td>B#</td> <td>D63L-G</td> <td>18</td> <td>WH</td> <td>1661212C1</td> </tr> <tr> <td>B*</td> <td>D63-GM</td> <td>18</td> <td>WH</td> <td>1661208C1</td> </tr> <tr> <td>B**</td> <td>D63-GM</td> <td>18</td> <td>DKBL</td> <td>1661208C1</td> </tr> </tbody> </table> <p style="text-align: center;"># W/ DOME LIGHT                  ** W/ SLEEPER-2                  * W/ SLEEPER</p>	CAV	CIR	GAUGE	COLOR	TERMINAL	A#	D63L	18	BL	1661212C1	A**	D63D	18	DKBL	1661208C1	A*	D63-GM	18	DKBL	1661208C1	B#	D63L-G	18	WH	1661212C1	B*	D63-GM	18	WH	1661208C1	B**	D63-GM	18	DKBL	1661208C1
CAV	CIR	GAUGE	COLOR	TERMINAL																																
A#	D63L	18	BL	1661212C1																																
A**	D63D	18	DKBL	1661208C1																																
A*	D63-GM	18	DKBL	1661208C1																																
B#	D63L-G	18	WH	1661212C1																																
B*	D63-GM	18	WH	1661208C1																																
B**	D63-GM	18	DKBL	1661208C1																																
MAP/READING LIGHT (2102M / 2103M)   CONNECTOR 1669972C1	<table border="1" style="width:100%; border-collapse: collapse;"> <thead> <tr> <th>CAV</th> <th>CIR</th> <th>GAUGE</th> <th>COLOR</th> <th>TERMINAL</th> </tr> </thead> <tbody> <tr> <td>A</td> <td>D63M</td> <td>18</td> <td>DK BL</td> <td>1661208C1</td> </tr> <tr> <td>B</td> <td>D63-GF</td> <td>18</td> <td>WH</td> <td>1661208C1</td> </tr> </tbody> </table>	CAV	CIR	GAUGE	COLOR	TERMINAL	A	D63M	18	DK BL	1661208C1	B	D63-GF	18	WH	1661208C1																				
CAV	CIR	GAUGE	COLOR	TERMINAL																																
A	D63M	18	DK BL	1661208C1																																
B	D63-GF	18	WH	1661208C1																																
<table border="1" style="width:100%; border-collapse: collapse;"> <thead> <tr> <th>CHK</th> <th>DATE</th> <th>CHANGE</th> <th>REV</th> <th>REFERENCE</th> <th>DRAWN</th> <th>NAME</th> </tr> </thead> <tbody> <tr> <td>-</td> <td>-</td> <td>ADDED R/D 2102M AND</td> <td>D</td> <td>93156B</td> <td>300422</td> <td>CIRCUIT DIAGRAM, PROSTAR, LONESTAR</td> </tr> <tr> <td></td> <td>2103M.</td> <td></td> <td></td> <td></td> <td>RELEASE NO. 61802Y</td> <td>DATE 29APR09</td> </tr> </tbody> </table>	CHK	DATE	CHANGE	REV	REFERENCE	DRAWN	NAME	-	-	ADDED R/D 2102M AND	D	93156B	300422	CIRCUIT DIAGRAM, PROSTAR, LONESTAR		2103M.				RELEASE NO. 61802Y	DATE 29APR09	PART NO. <b>AE08058107</b> SHEET <b>059</b>														
CHK	DATE	CHANGE	REV	REFERENCE	DRAWN	NAME																														
-	-	ADDED R/D 2102M AND	D	93156B	300422	CIRCUIT DIAGRAM, PROSTAR, LONESTAR																														
	2103M.				RELEASE NO. 61802Y	DATE 29APR09																														

Figure 489 Connector Body Composite (2100), (2010), (2101), (2102M), (2103M)

14.110. CONNECTOR BODY COMPOSITE (2200), (2201), (2223), (2224), (2225), (2227), (2227B) P. 60

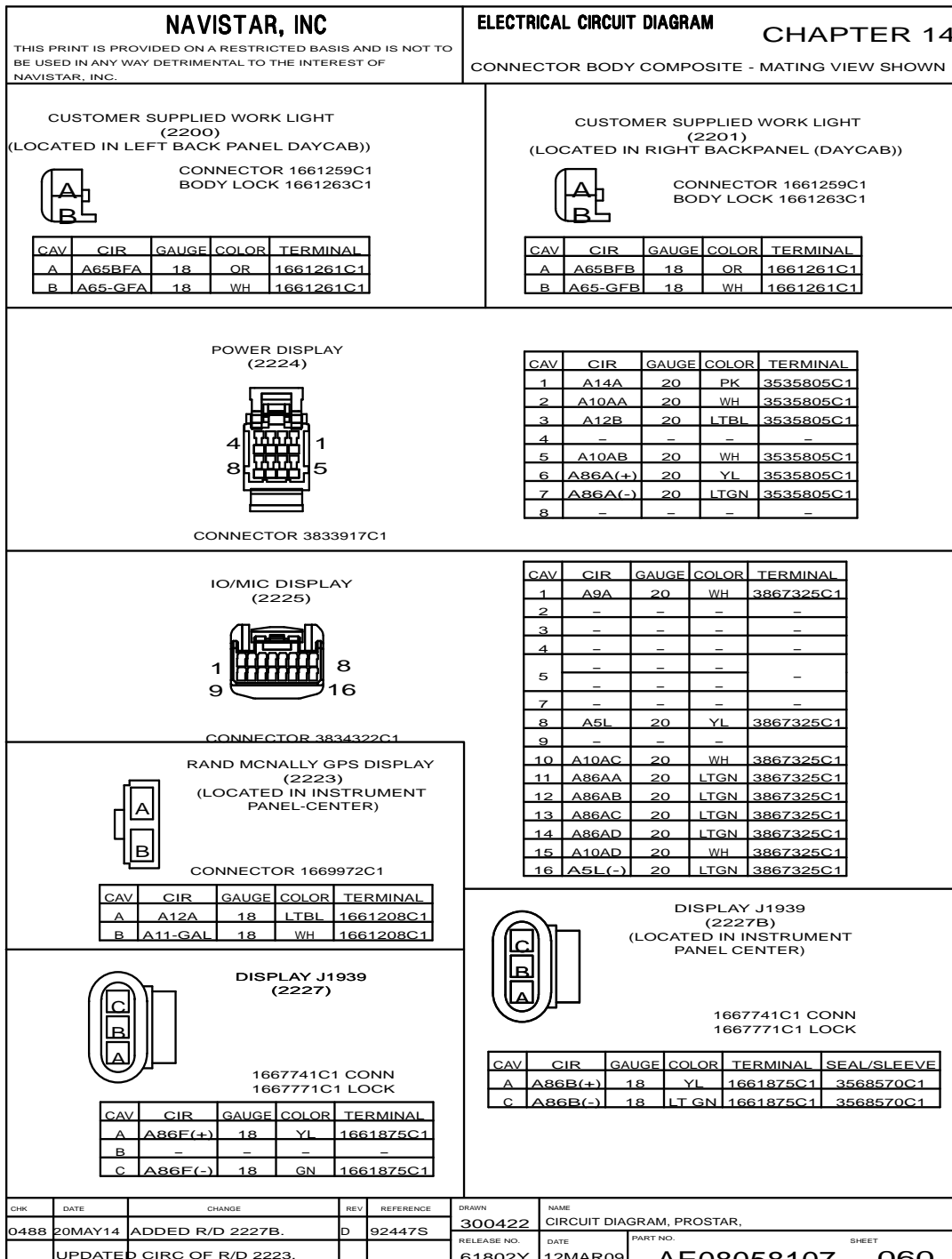


Figure 490 Connector Body Composite (2200), (2201), (2223), (2224), (2225), (2227), (2227B)

14.111. CONNECTOR BODY COMPOSITE (2300), (2302), (2303F), (2303M), (2304), (2312), P. 61

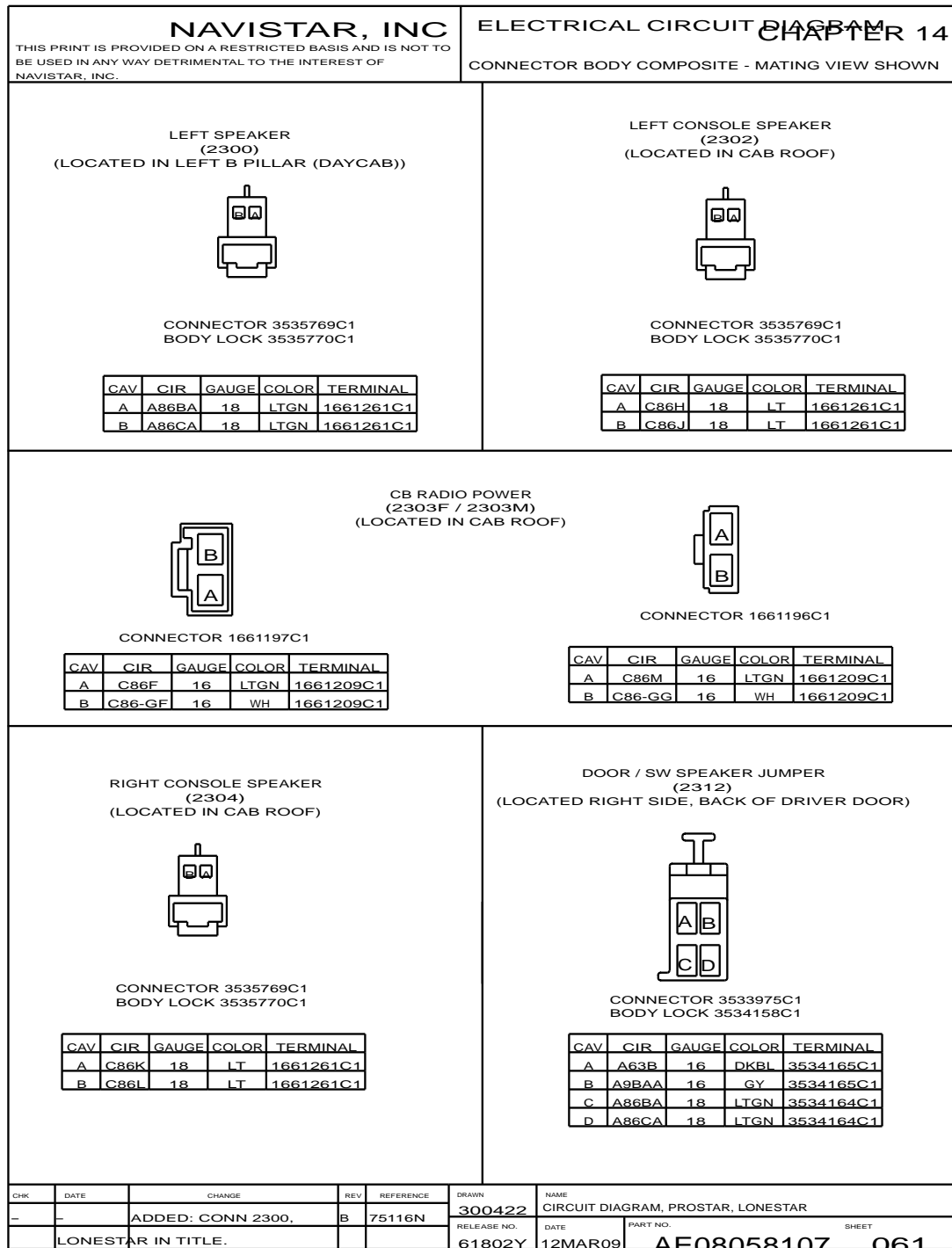


Figure 491 Connector Body Composite (2300), (2302), (2303F), (2303M), (2304), (2312)

14.112. CONNECTOR BODY COMPOSITE (2313), (2500), (2505), P. 62

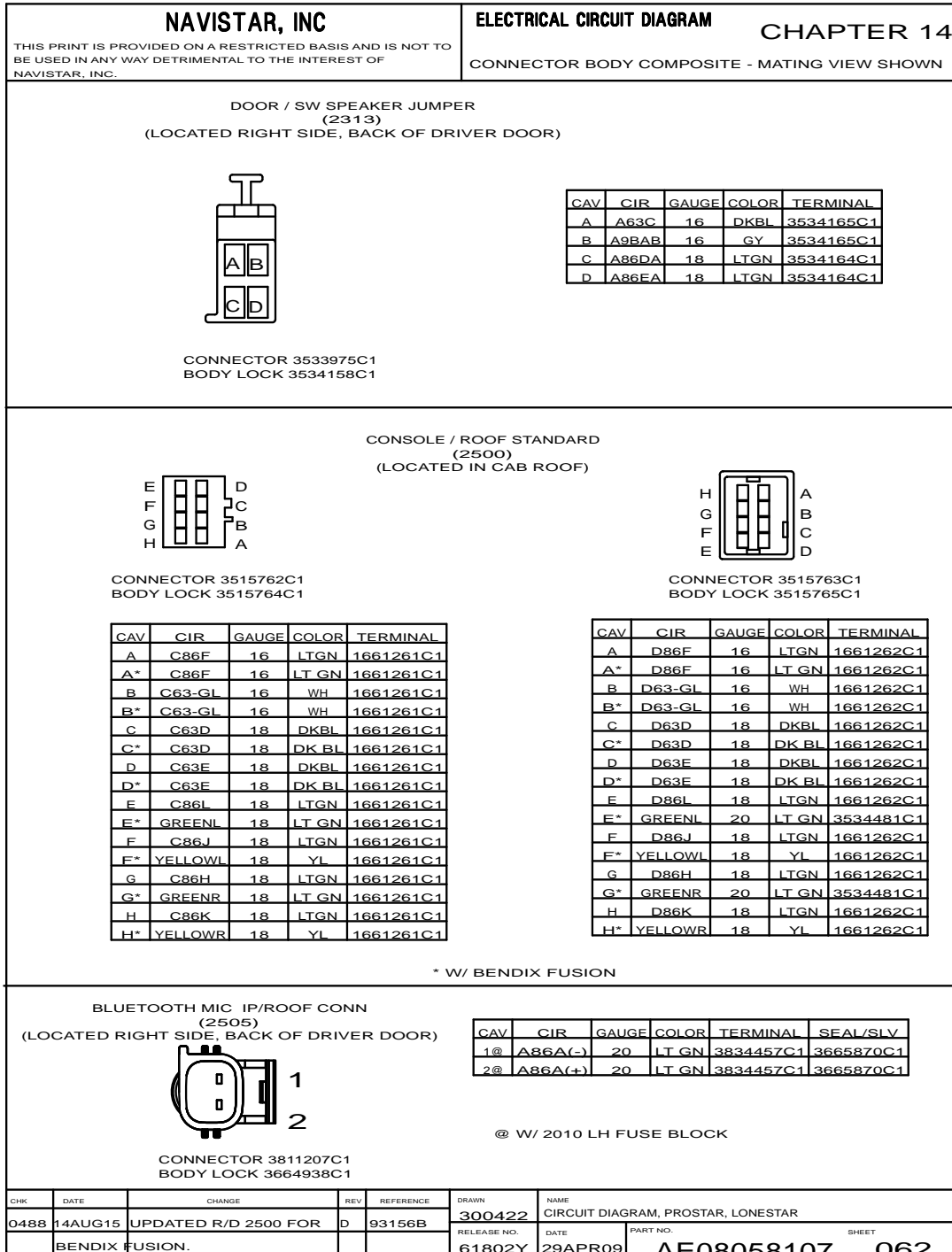


Figure 492 Connector Body Composite (2313), (2500), (2505)

14.113. CONNECTOR BODY COMPOSITE (3000), (3003M), (3100), (3100M), P. 63

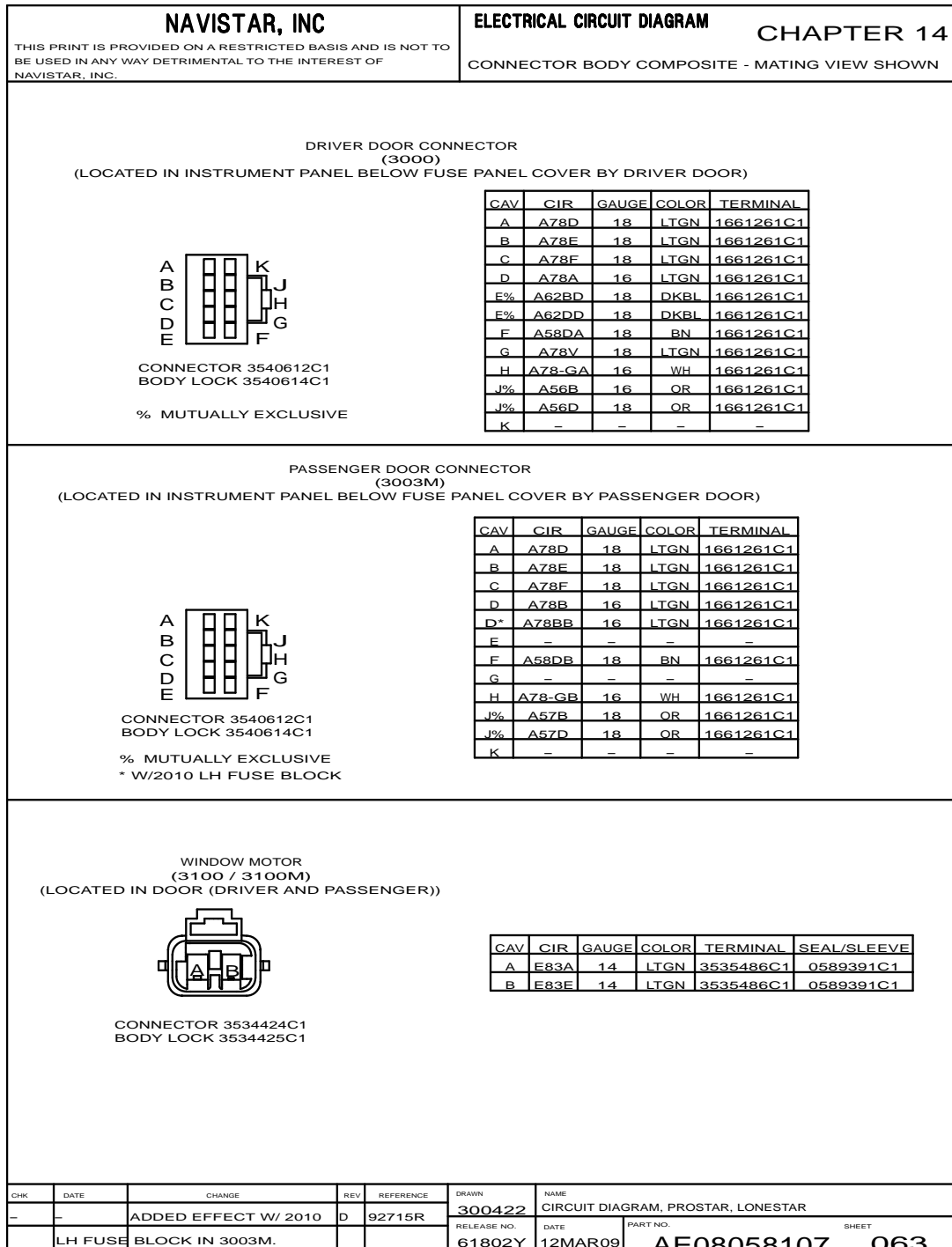


Figure 493 Connector Body Composite (3000), (3003M), (3100), (3100M)

14.114. CONNECTOR BODY COMPOSITE (3200), (3200F), (3201), (3201M), (3202M), (3203), P. 64

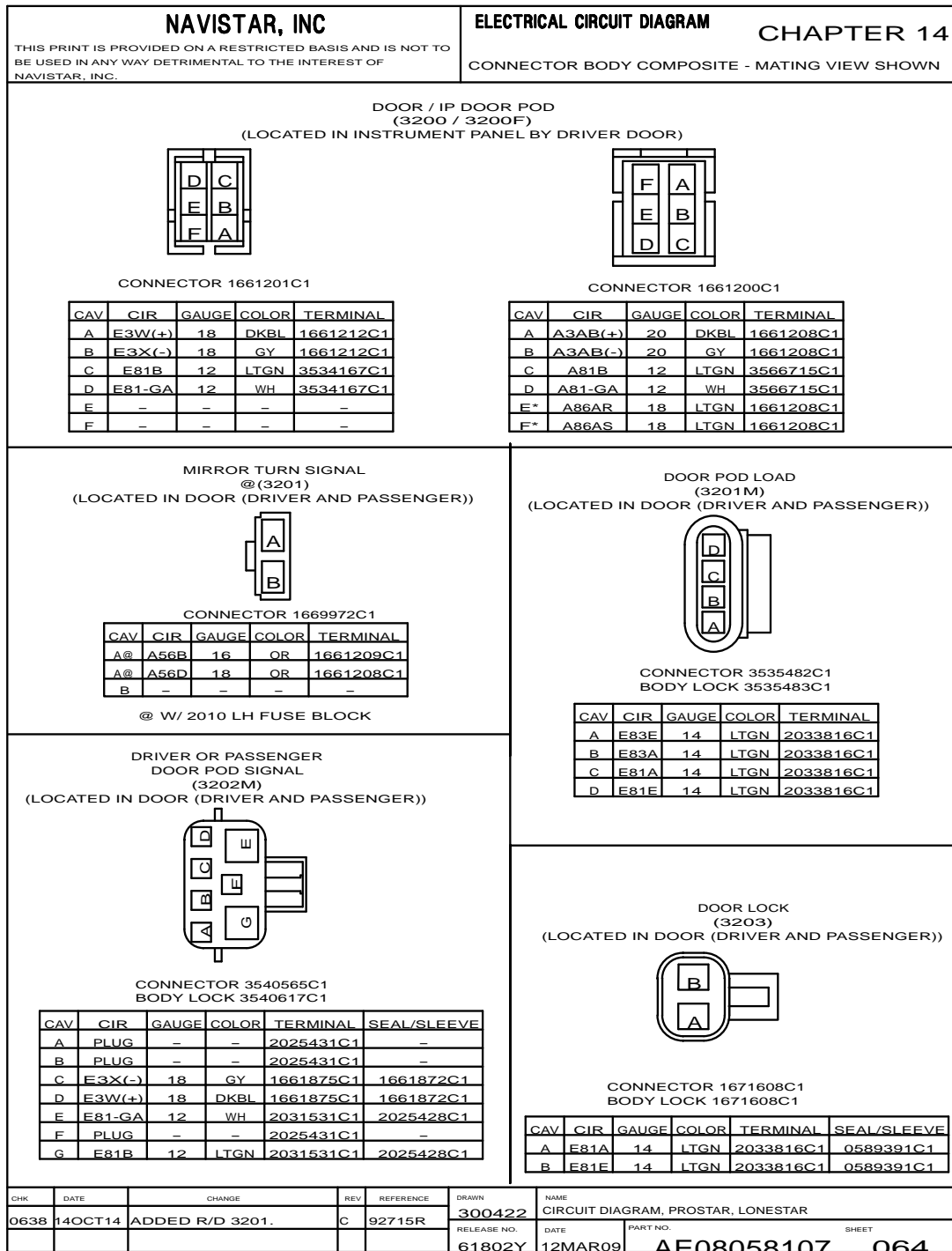


Figure 494 Connector Body Composite (3200), (3200F), (3201), (3201M), (3202M), (3203)

14.115. CONNECTOR BODY COMPOSITE (3204), (3204M), (3205M), (3205F), (3206M), (3300), (3400), (3410), P. 65

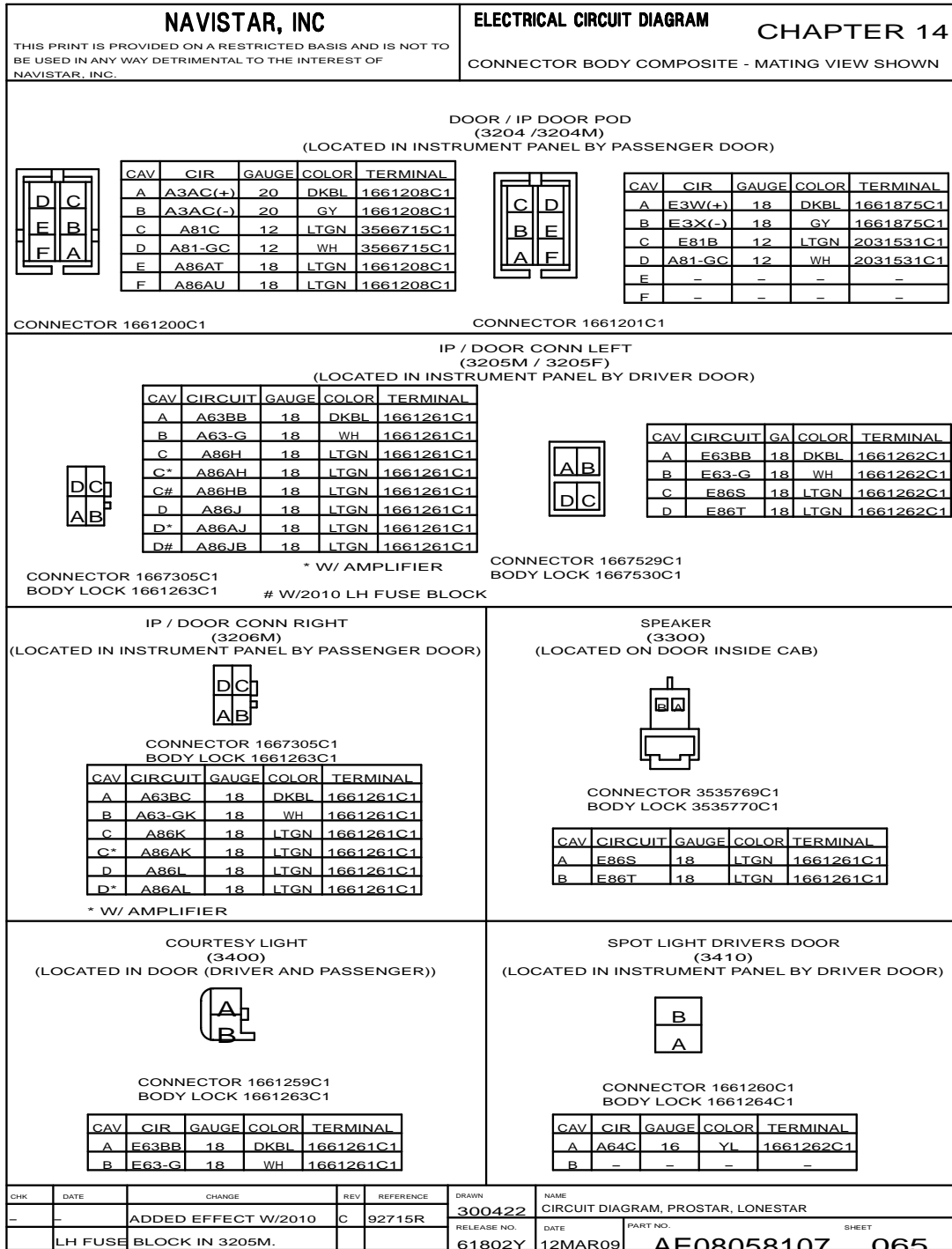


Figure 495 Connector Body Composite (3204), (3204M), (3205M), (3205F), (3206M), (3300), (3400), (3410)

14.116. CONNECTOR BODY COMPOSITE (4004), (4101), (4111), (4204), P. 66

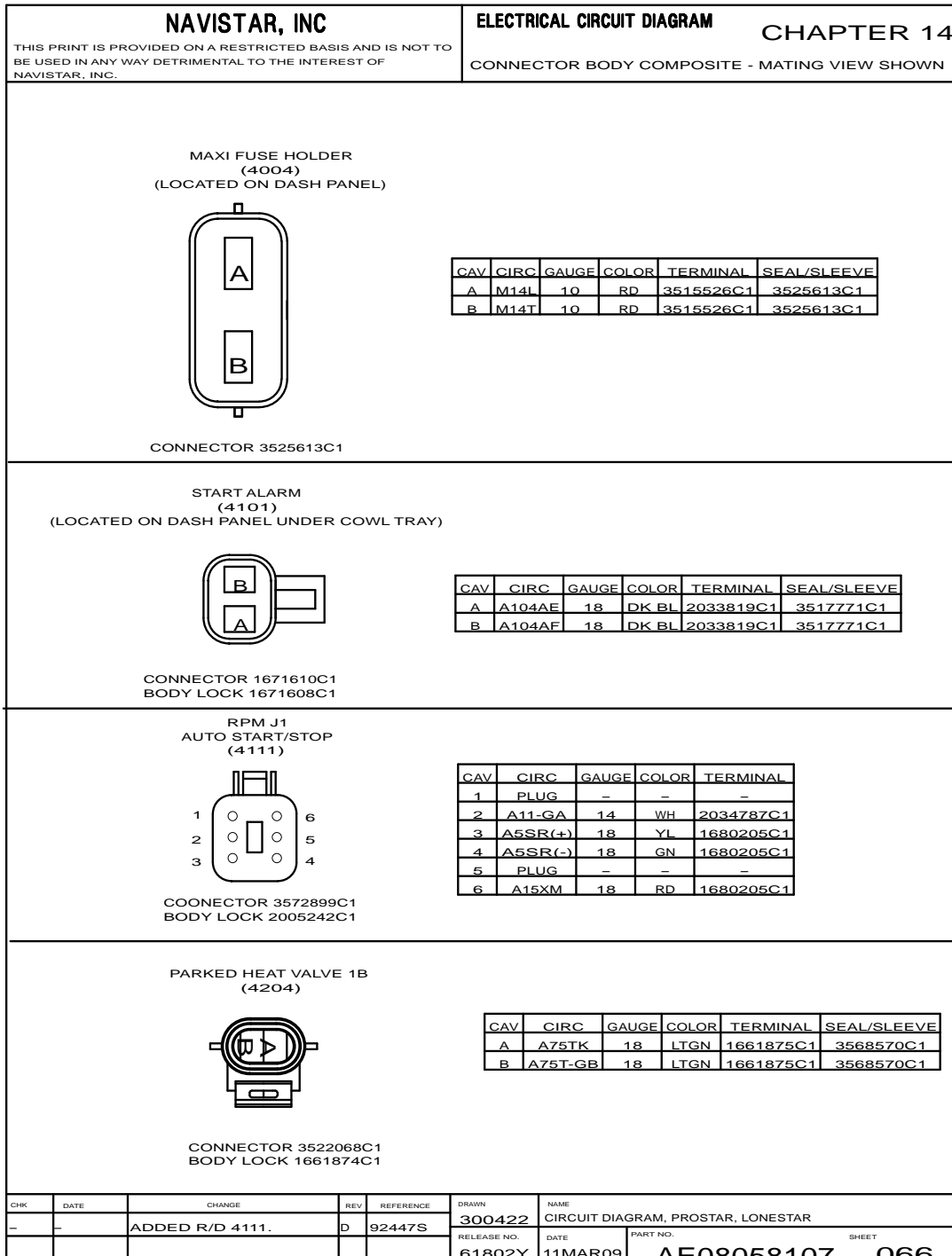


Figure 496 Connector Body Composite (4004), (4101), (4111), (4204)



14.117. CONNECTOR BODY COMPOSITE (4113), (4114), (4115), (4450BF), P. 66A

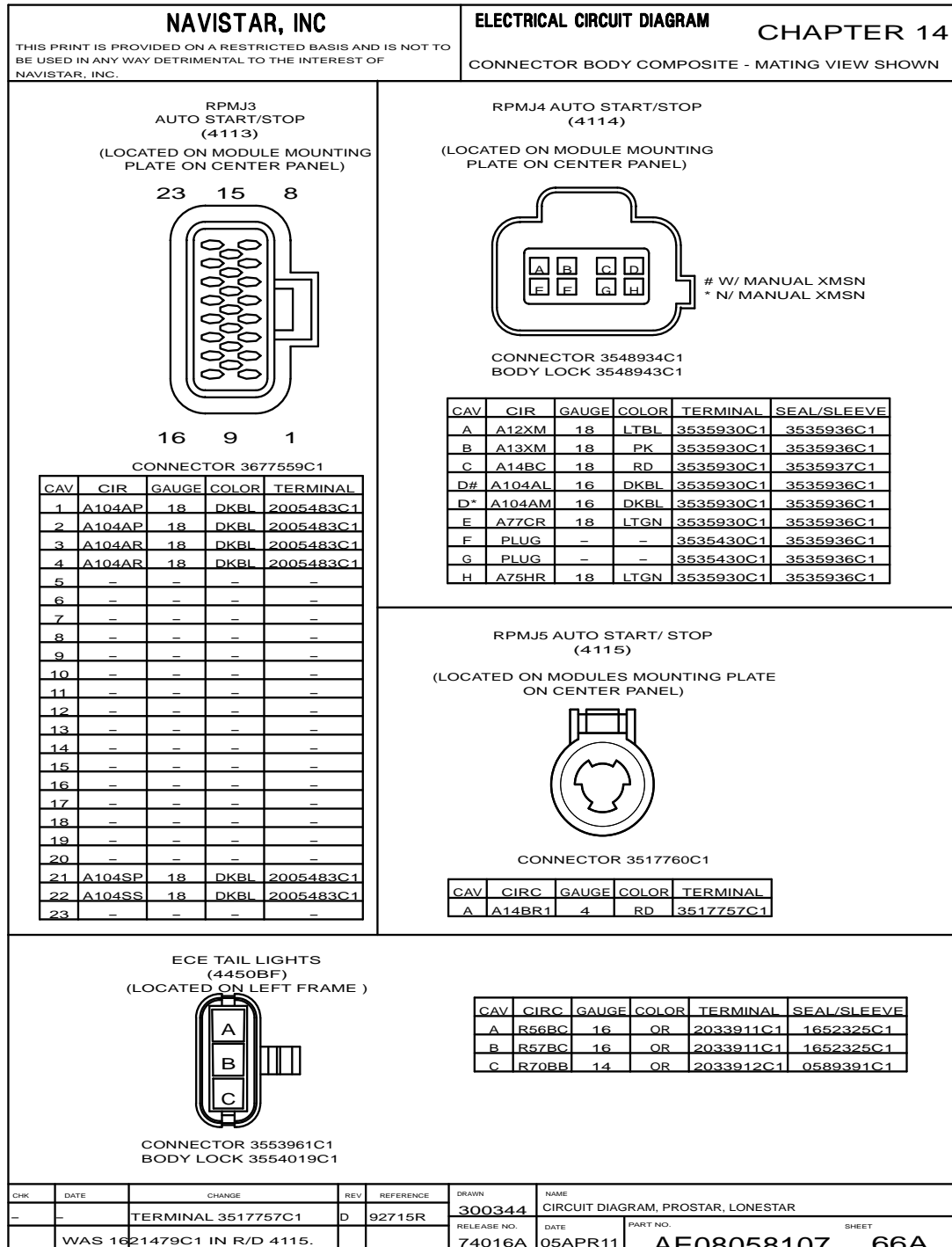


Figure 497 Connector Body Composite (4113), (4114), (4115), (4450BF)

14.118. CONNECTOR BODY COMPOSITE (4204), (4328), P. 66B

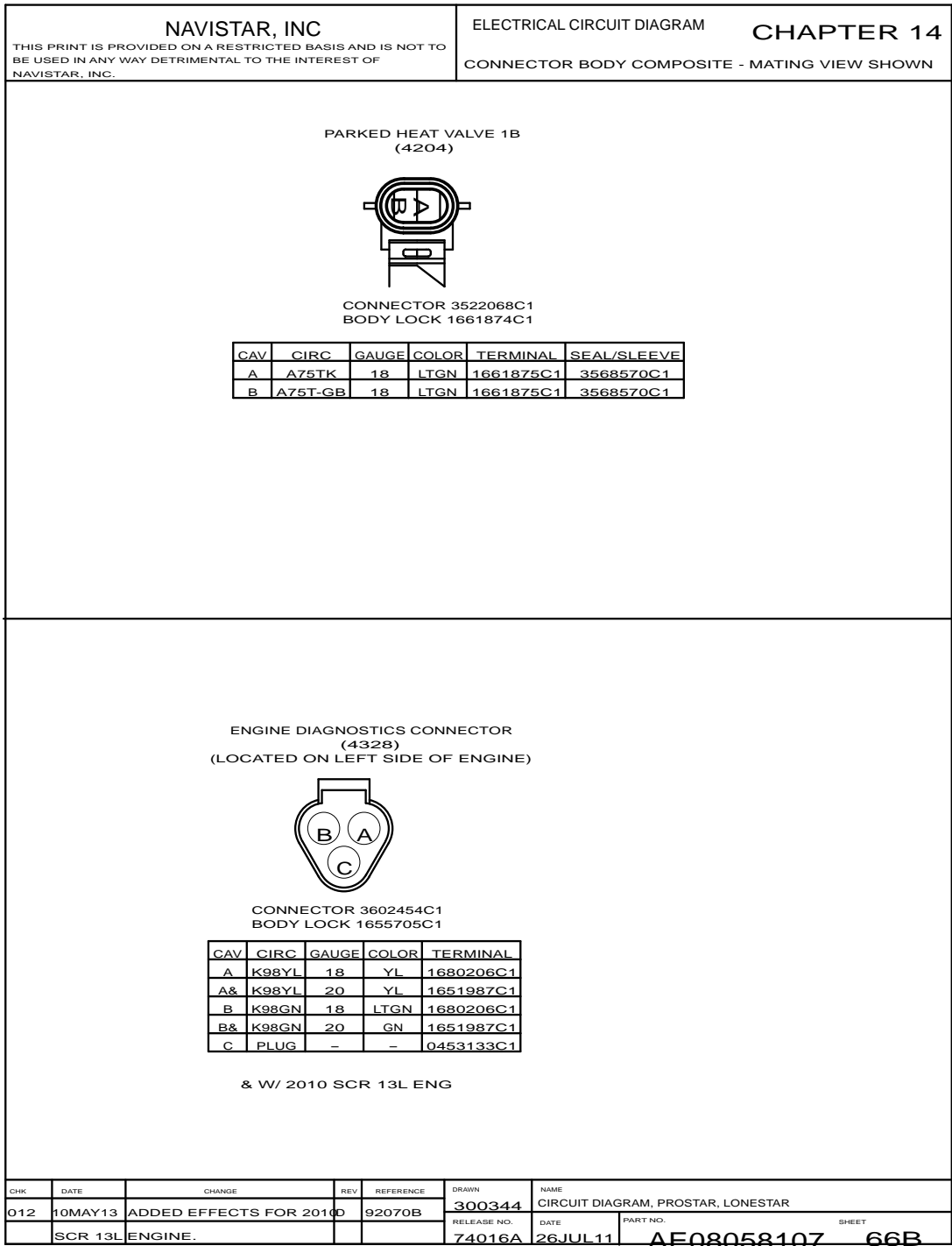


Figure 498 Connector Body Composite (4204), (4328)

14.119. CONNECTOR BODY COMPOSITE (4450AM), (4450BM), (4450M), (4460BF), P. 67

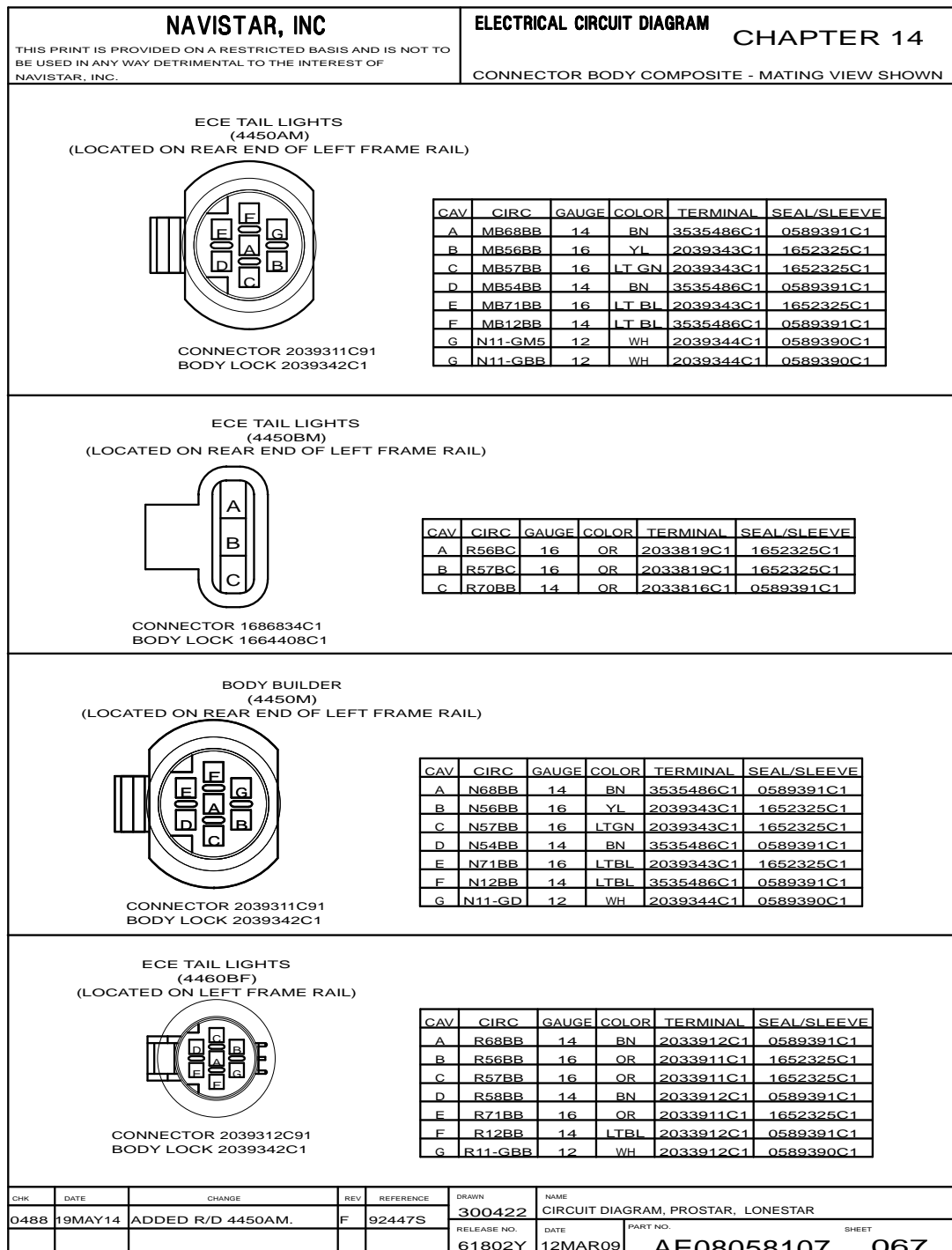


Figure 499 Connector Body Composite (4450BF), (4450BM), (4450M), (4460BF)

14.120. CONNECTOR BODY COMPOSITE (4460M), (4460AM), (4460BM), (4470BM), P. 67A

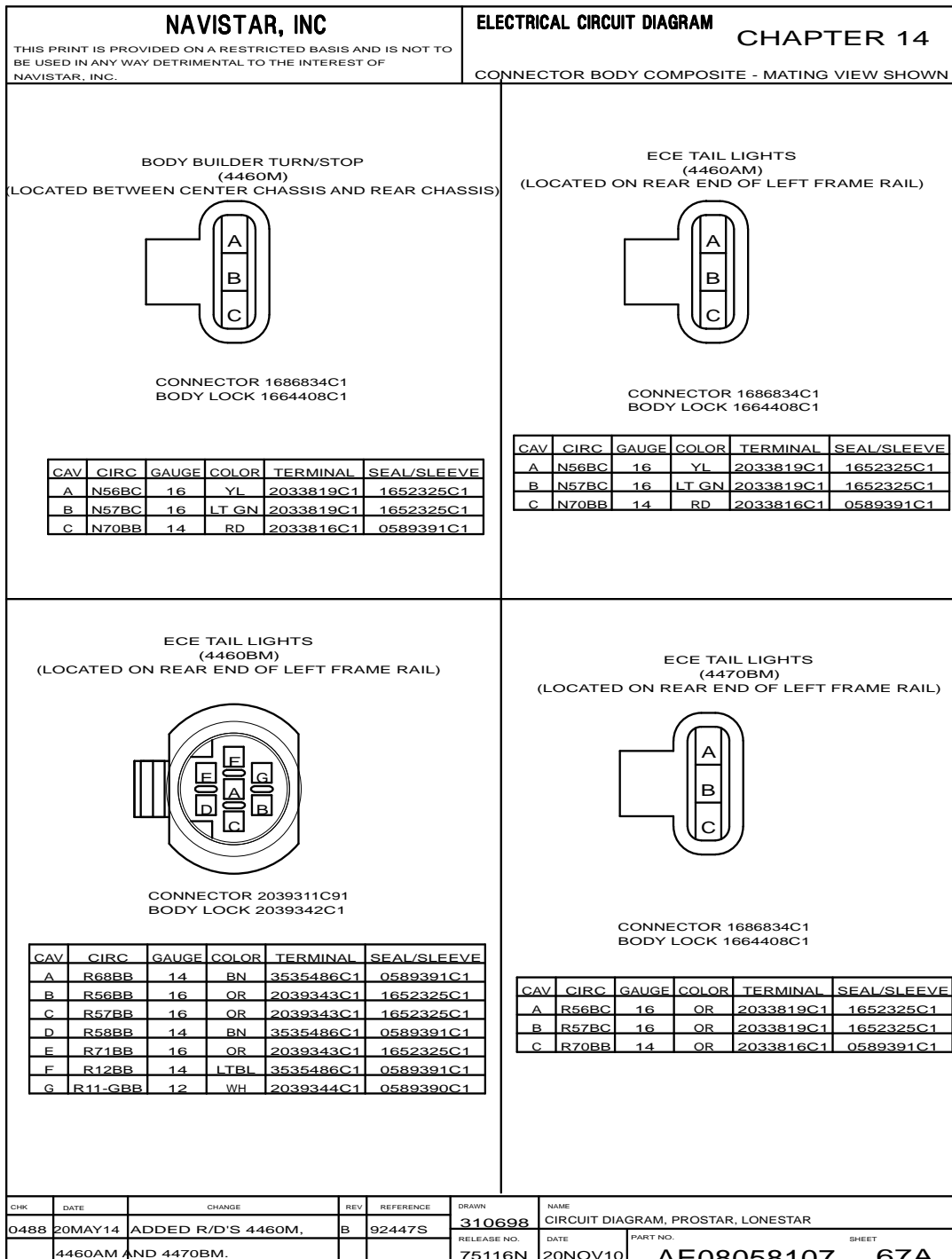


Figure 500 Connector Body Composite (4460M), (4460AM), (4460BM), (4470BM)

14.121. CONNECTOR BODY COMPOSITE (4480BM), (4500), (4705), P. 67B

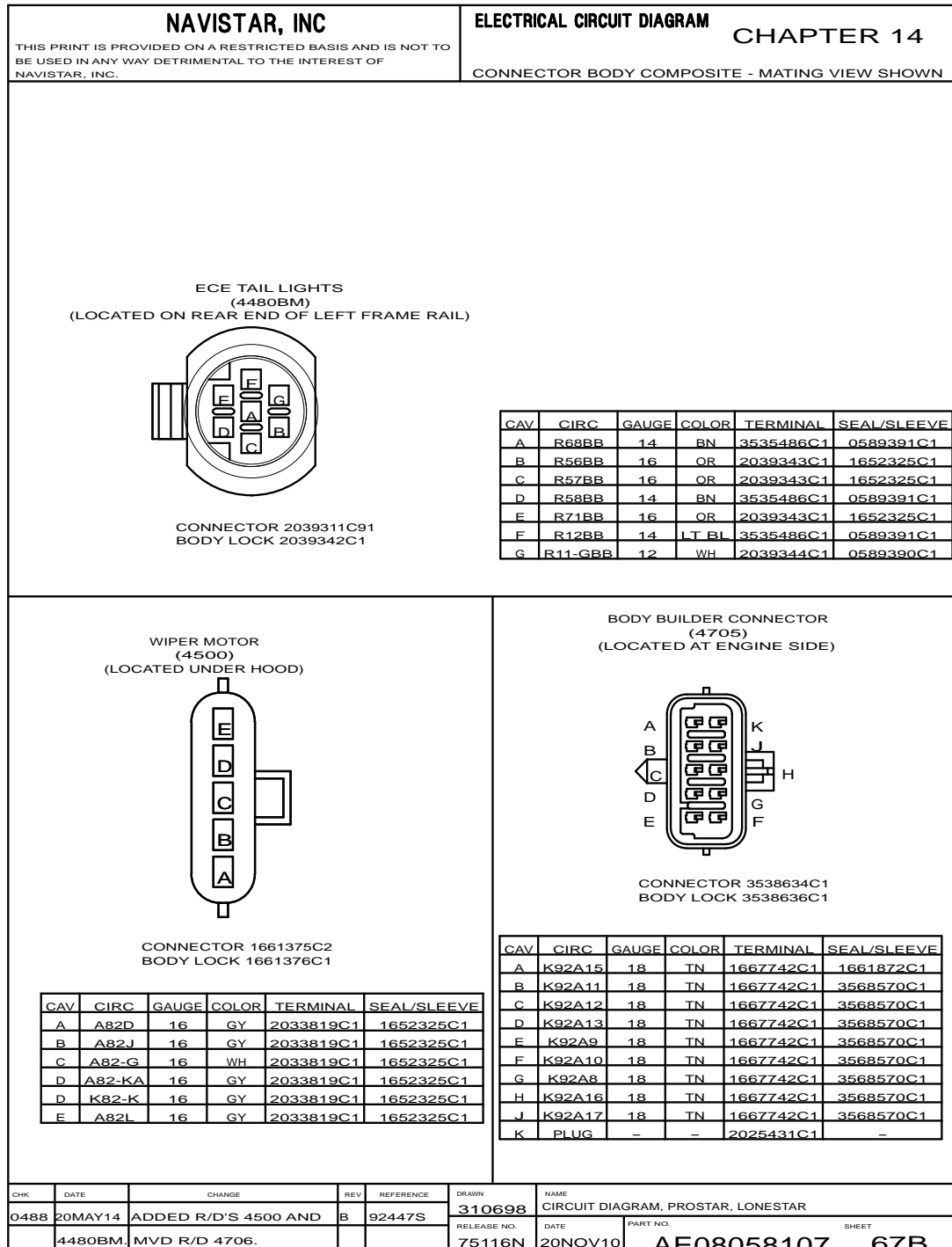


Figure 501 Connector Body Composite (4480BM), (4500), (4705)

14.122. CONNECTOR BODY COMPOSITE (5000 / 5000A), P. 68

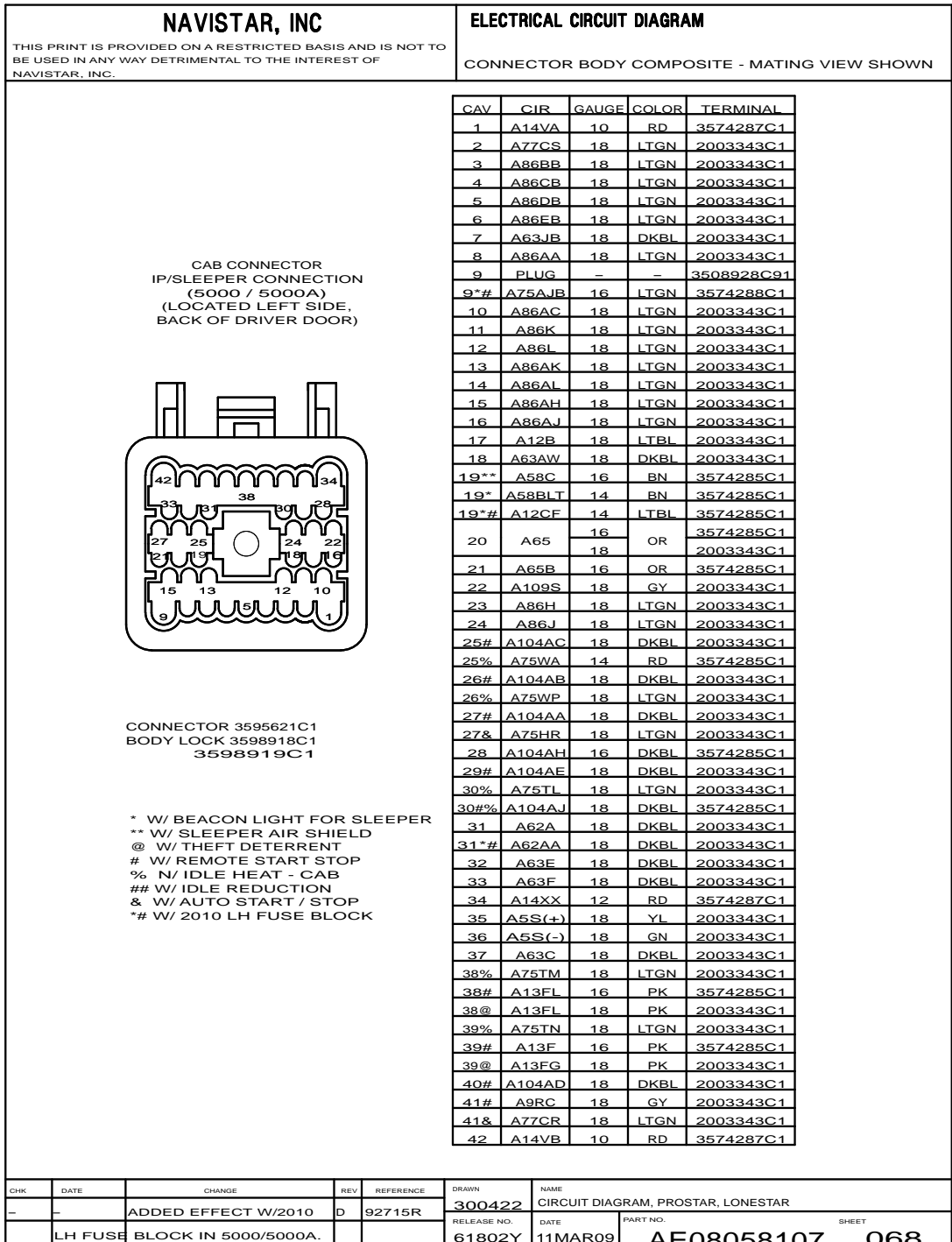


Figure 502 Connector Body Composite (5000 / 5000A)

14.123. CONNECTOR BODY COMPOSITE (5000), P. 69

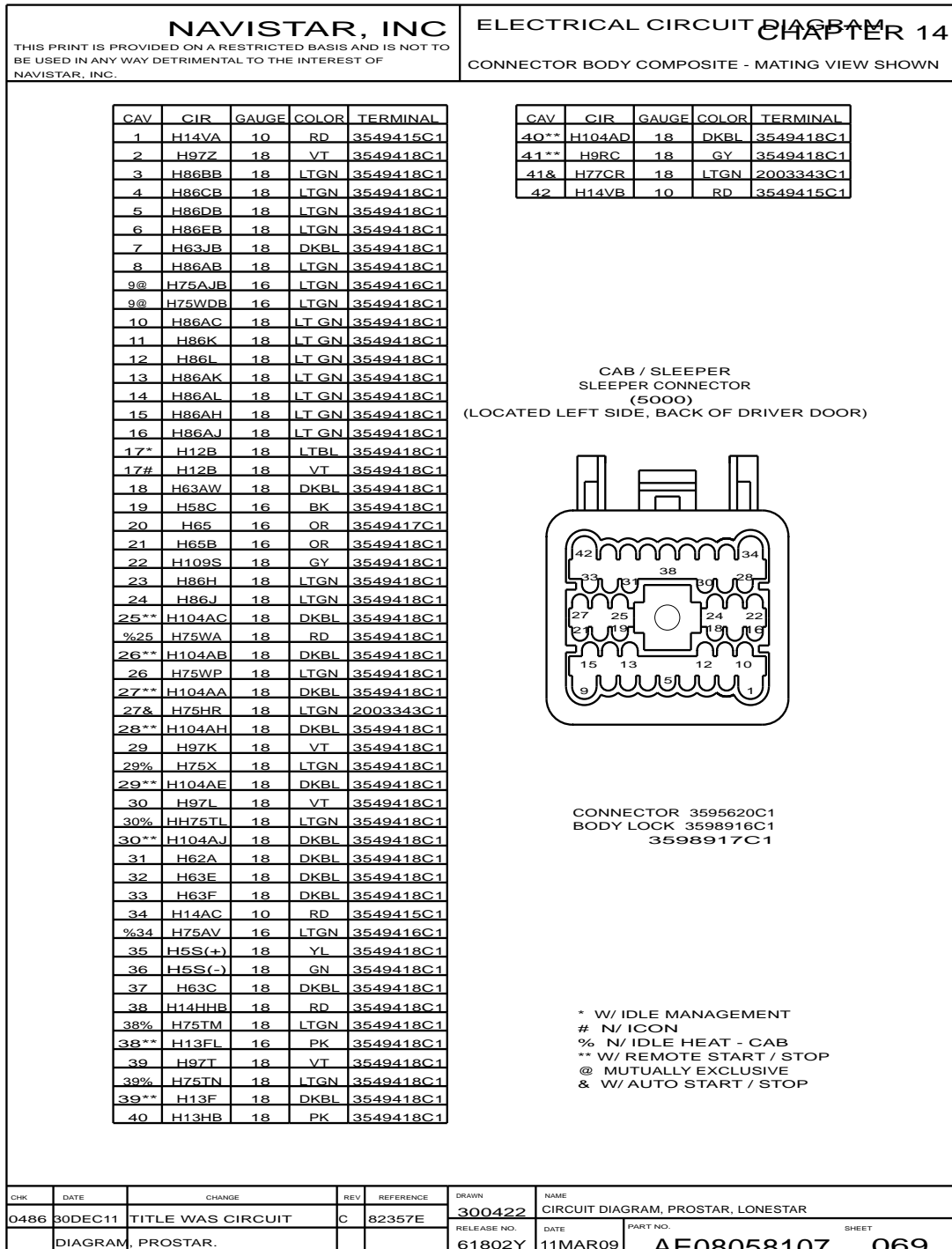


Figure 503 Connector Body Composite (5000)

14.124. CONNECTOR BODY COMPOSITE (5001), P. 70

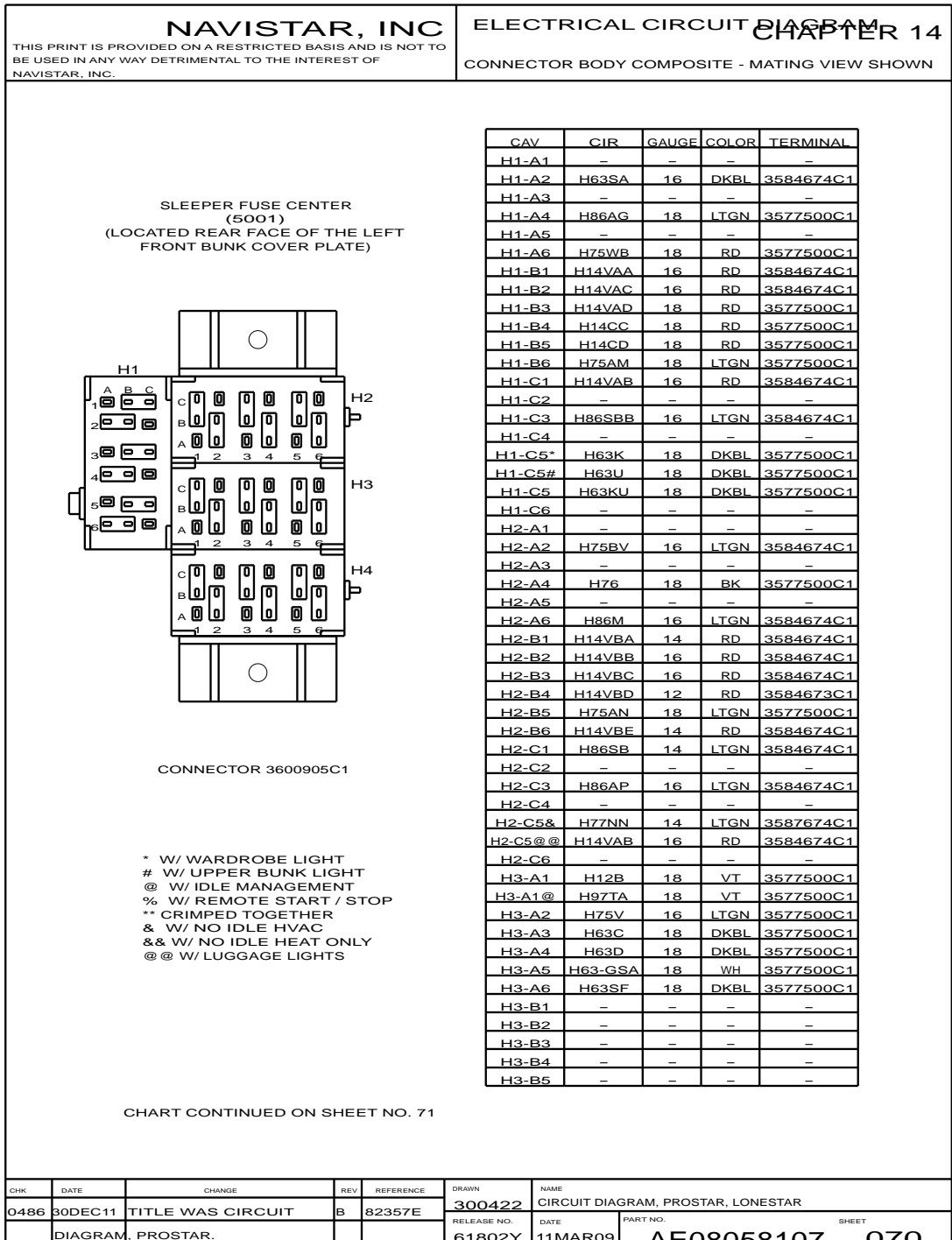


Figure 504 Connector Body Composite (5001)



14.125. CONNECTOR BODY COMPOSITE (5001), P. 71

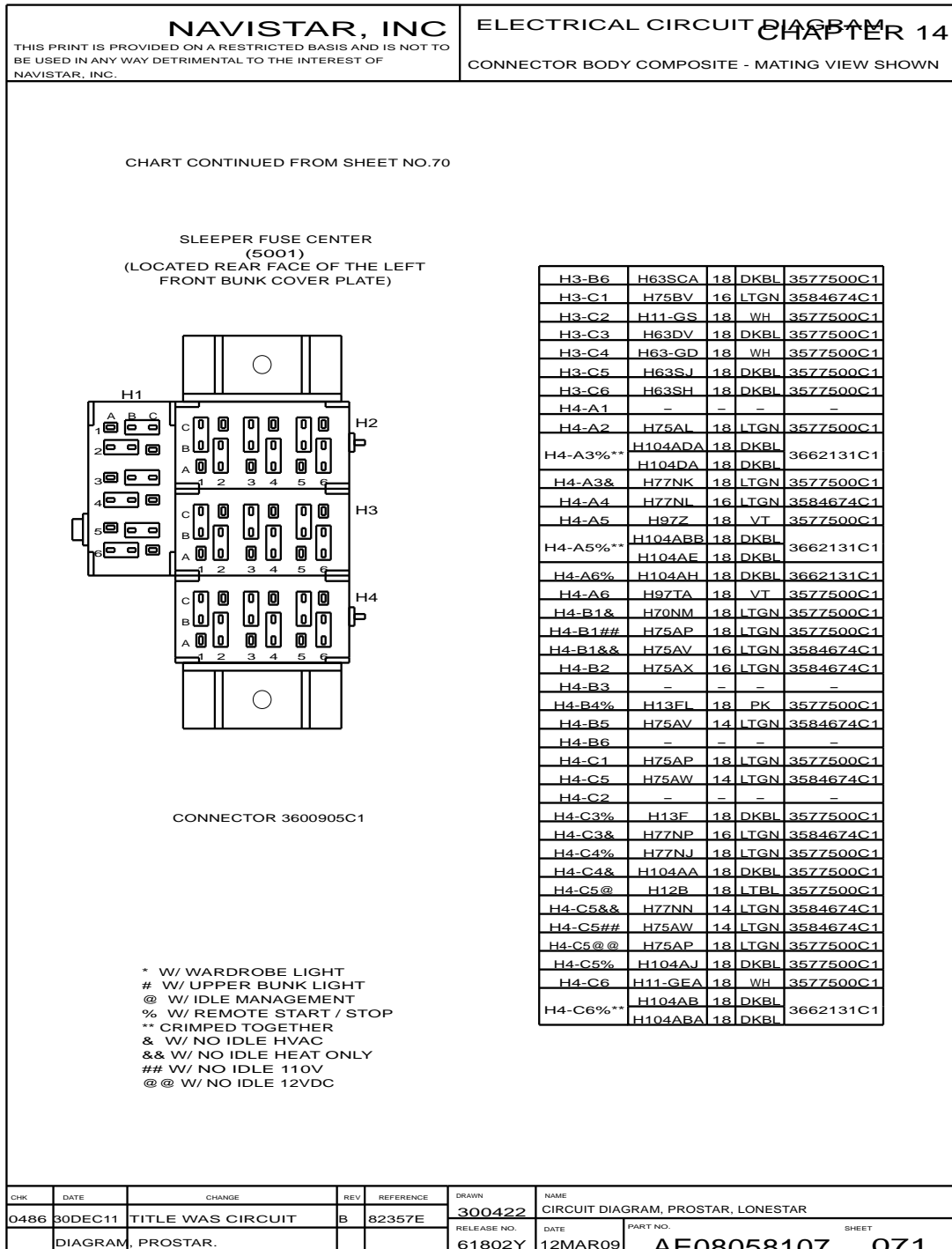


Figure 505 Connector Body Composite (5001)

14.126. CONNECTOR BODY COMPOSITE (5002), (5003), (5005), (5006), (5007), P. 72

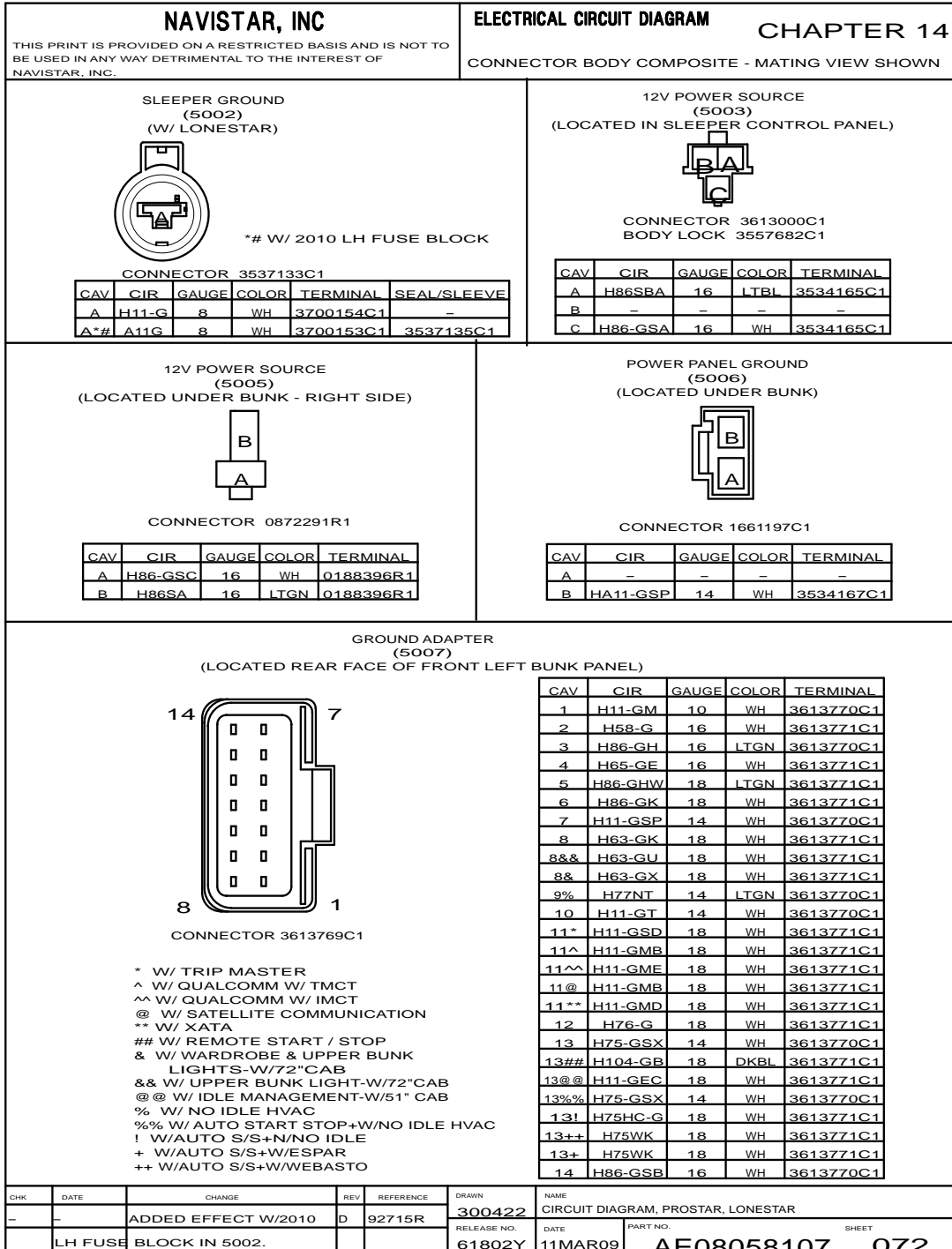


Figure 506 Connector Body Composite (5002), (5003), (5005), (5006), (5007)

14.127. CONNECTOR BODY COMPOSITE (5009), (5010), (5011), (5011M), (5011F), P. 73

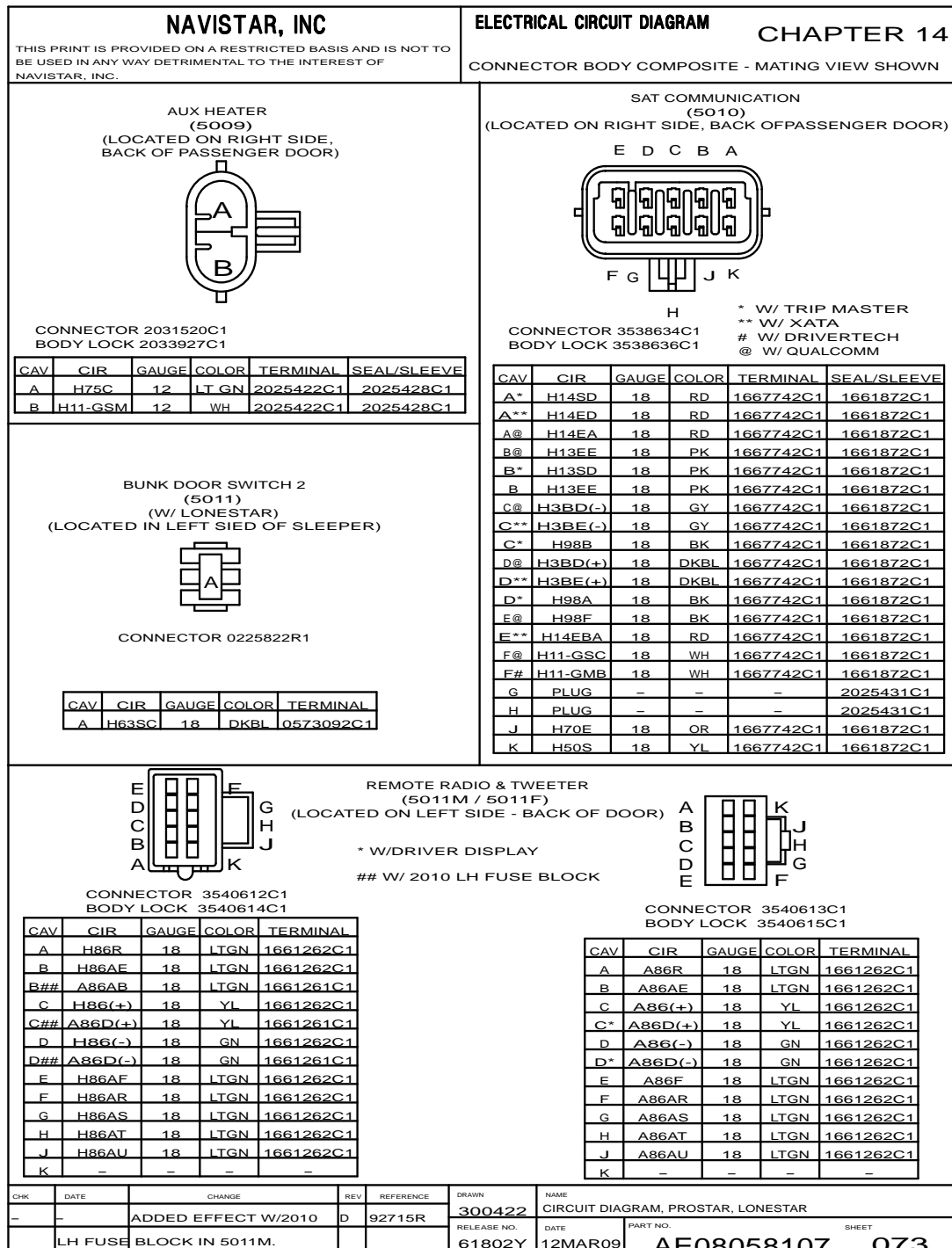


Figure 507 Connector Body Composite (5009), (5010), (5011), (5011M), (5011F)

14.128. CONNECTOR BODY COMPOSITE (5012), (5013), (5014), (5015), (5020), (5031), P. 74

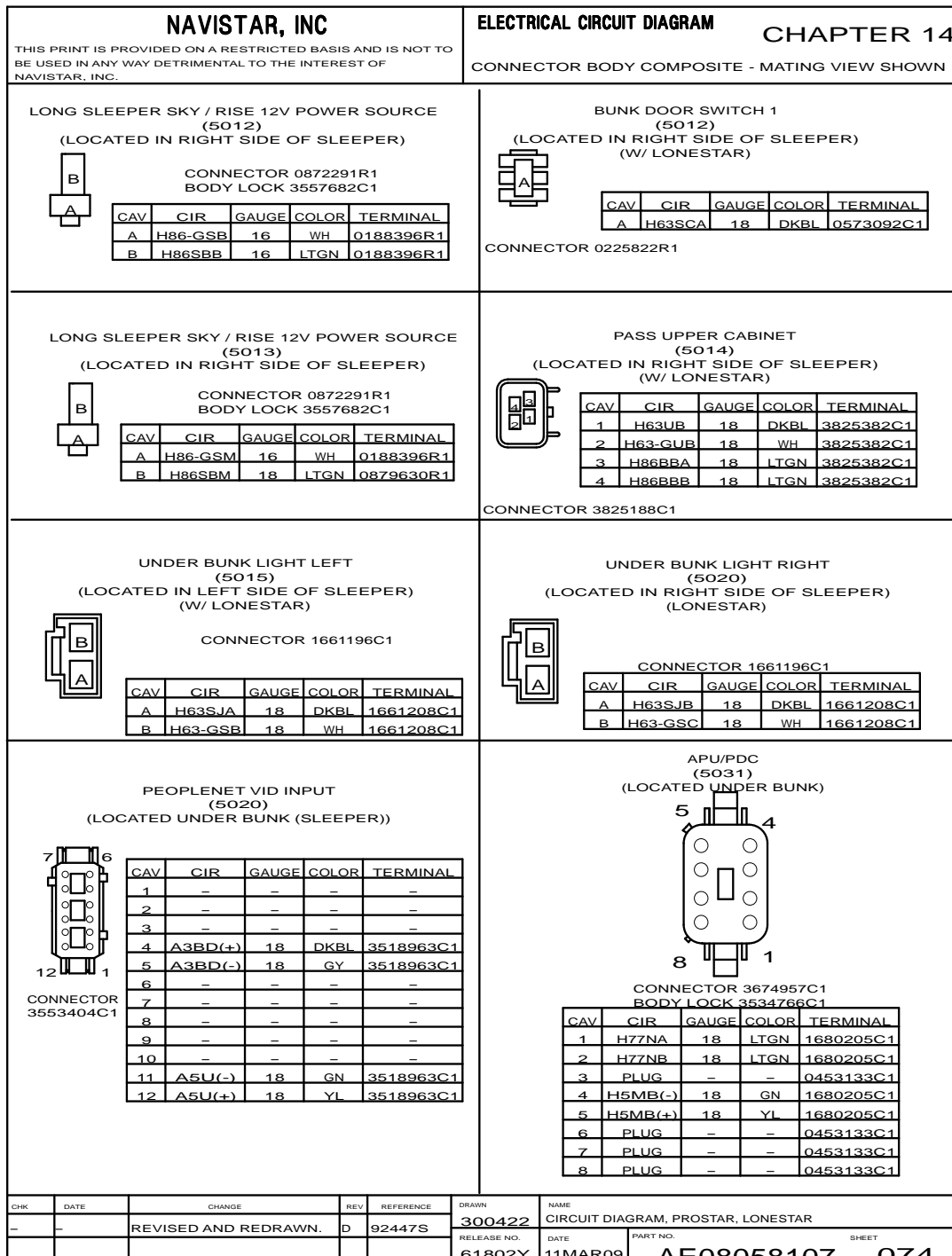


Figure 508 Connector Body Composite (5012), (5013), (5014), (5015), (5020), (5031)

14.129. CONNECTOR BODY COMPOSITE (5034), (5035), (5035A), (5036), (5037), (5038), P. 74A

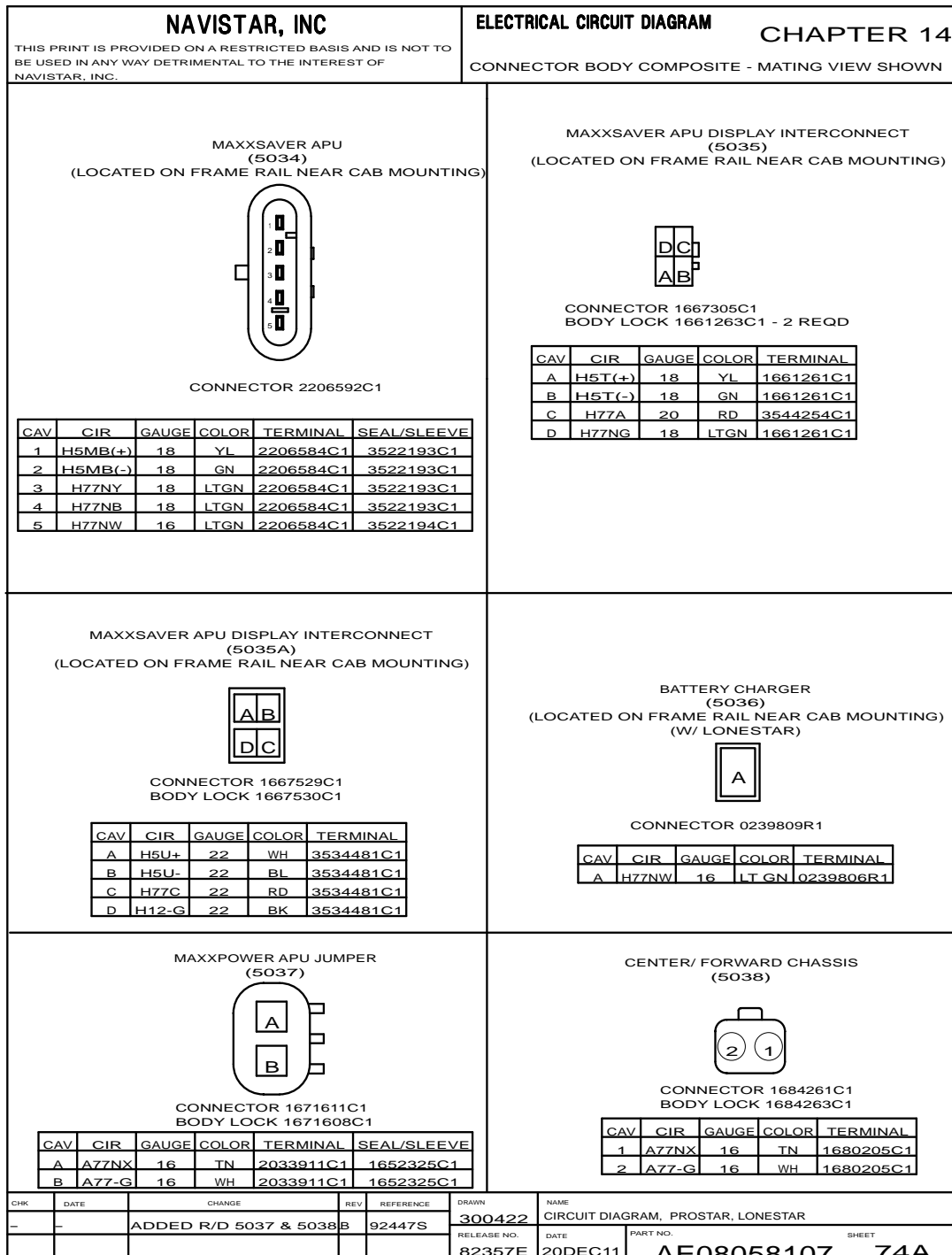


Figure 509 Connector Body Composite (5034), (5035), (5035A), (5036), (5037), (5038)

14.130. CONNECTOR BODY COMPOSITE (5100), (5101), (5102), (5103), P. 75

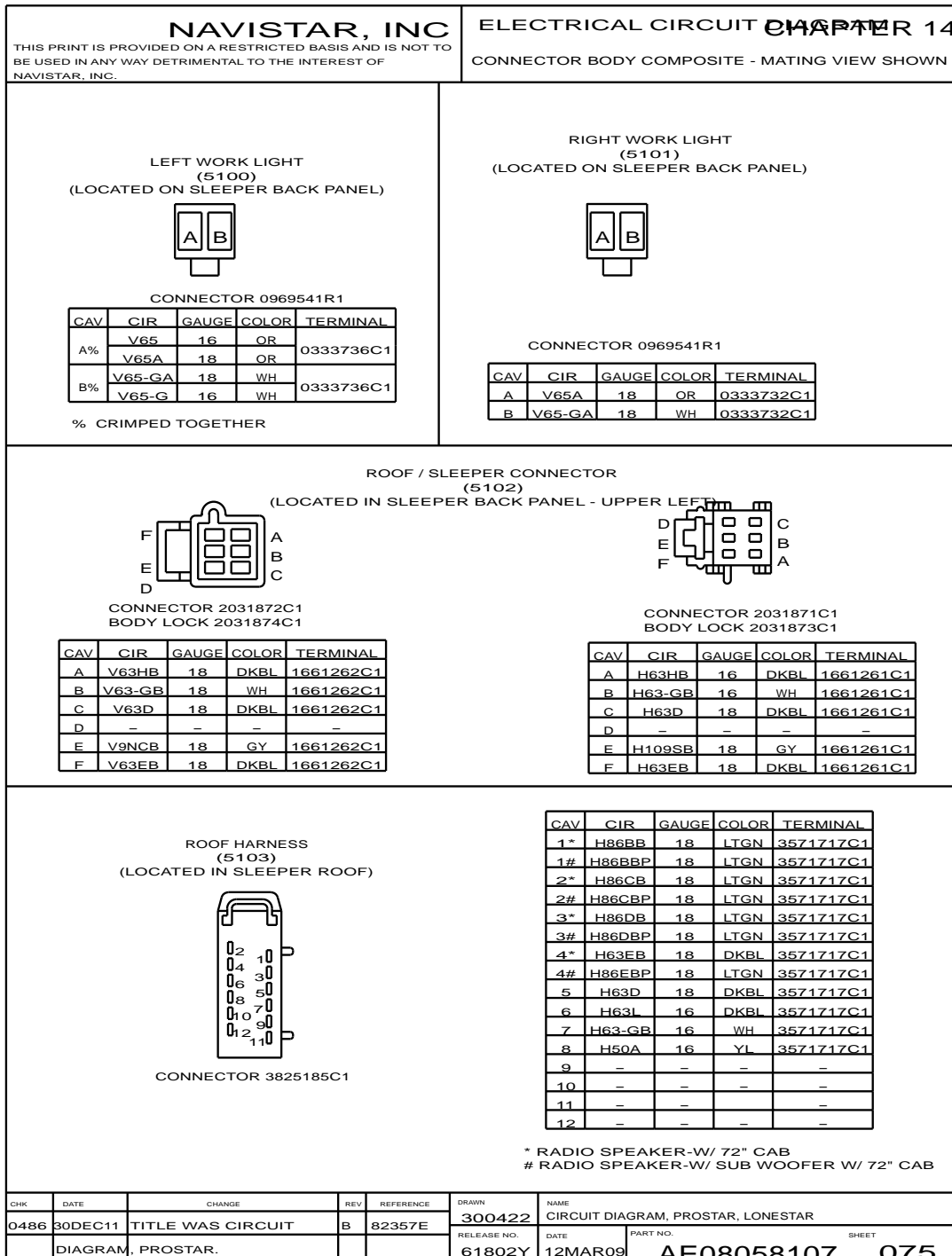


Figure 510 Connector Body Composite (5100), (5101), (5102), (5103)

14.131. CONNECTOR BODY COMPOSITE (5103), (5104), (5105), (5106), (5107), (5109), (5110), (5111), P. 76

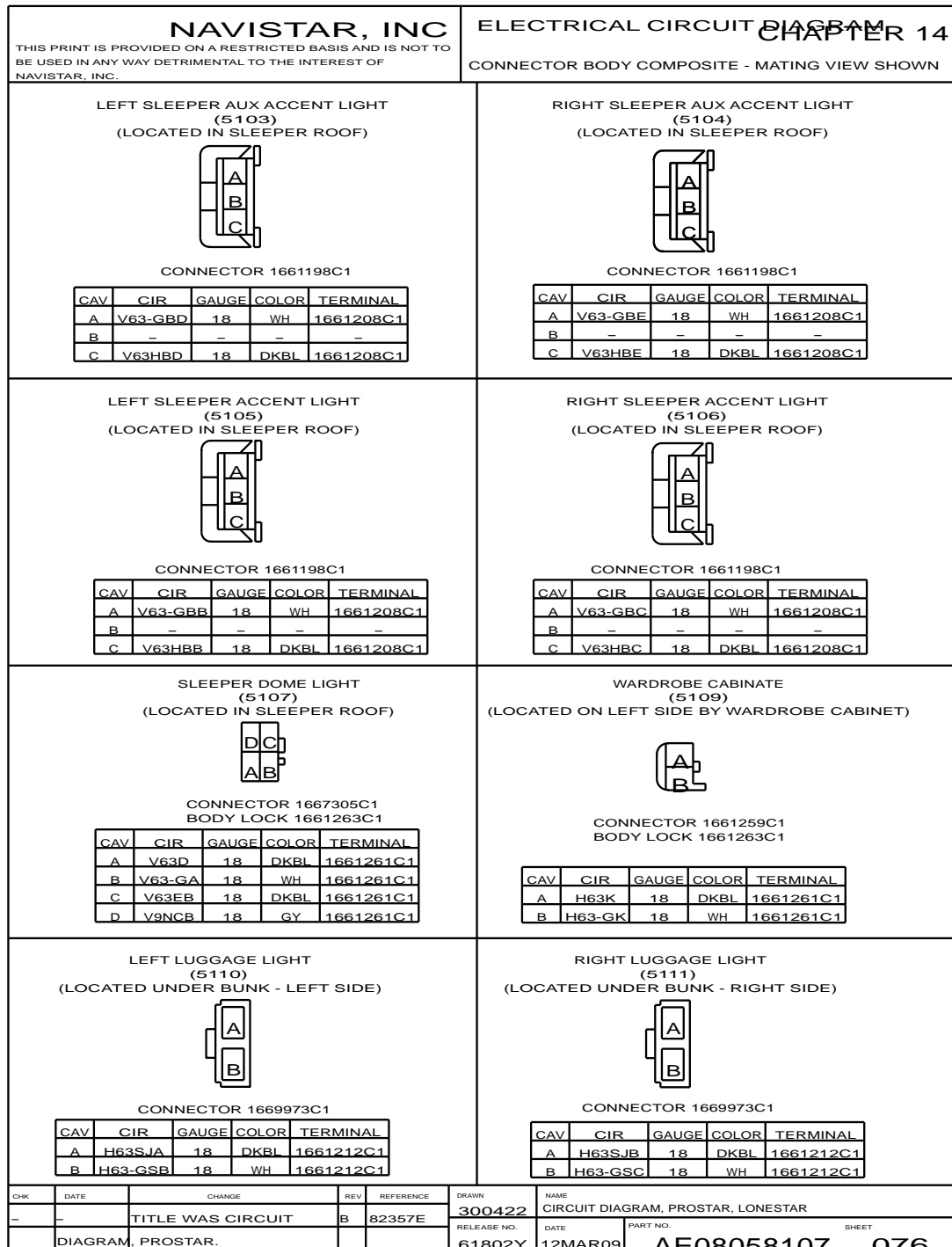


Figure 511 Connector Body Composite (5103), (5104), (5105), (5106), (5107), (5109), (5110), (5111)

14.132. CONNECTOR BODY COMPOSITE (5112), (5113), (5114), (5115), P. 76A

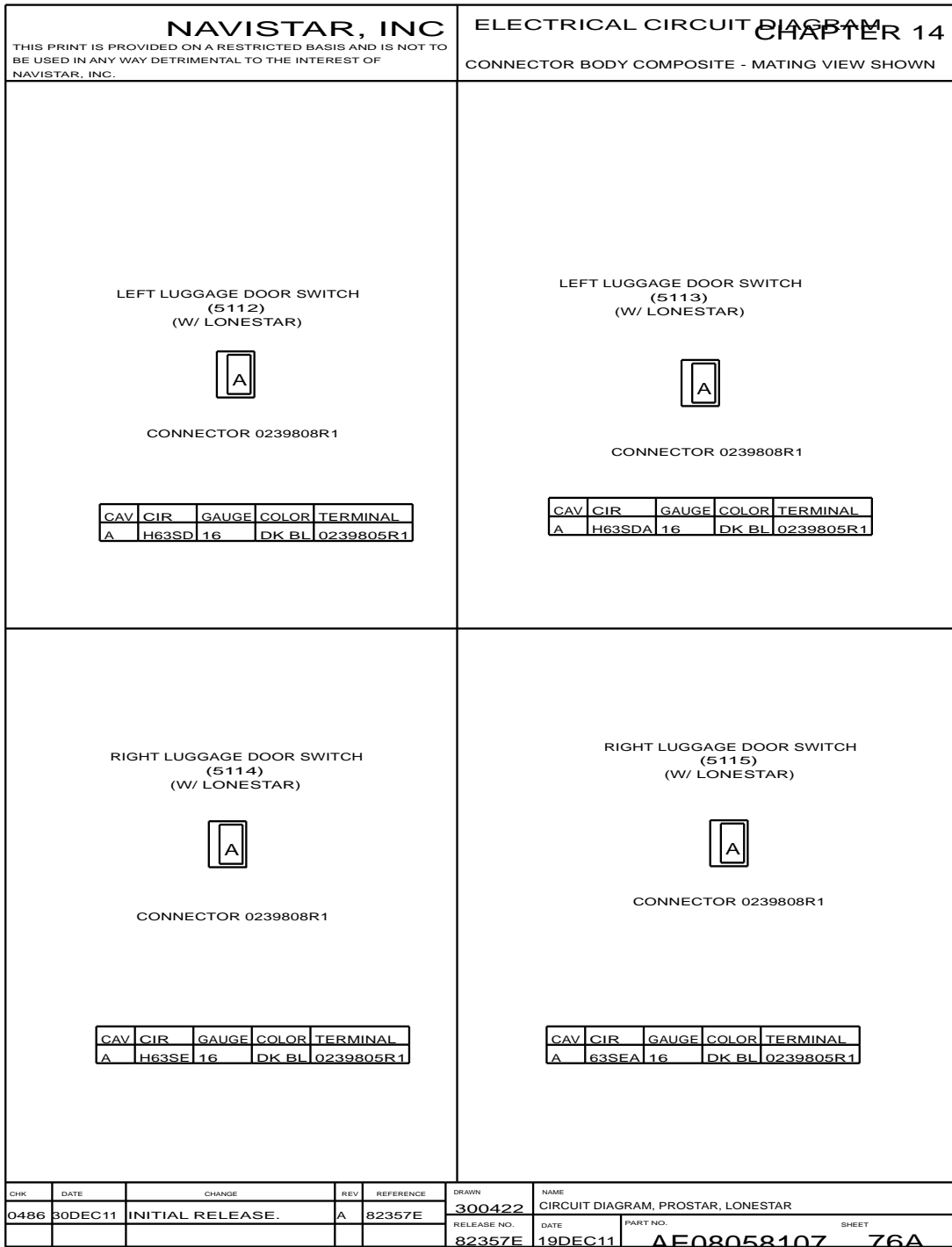


Figure 512 Connector Body Composite (5112), (5113), (5114), (5115)



14.133. CONNECTOR BODY COMPOSITE (5117), (5118), (5119), P. 77

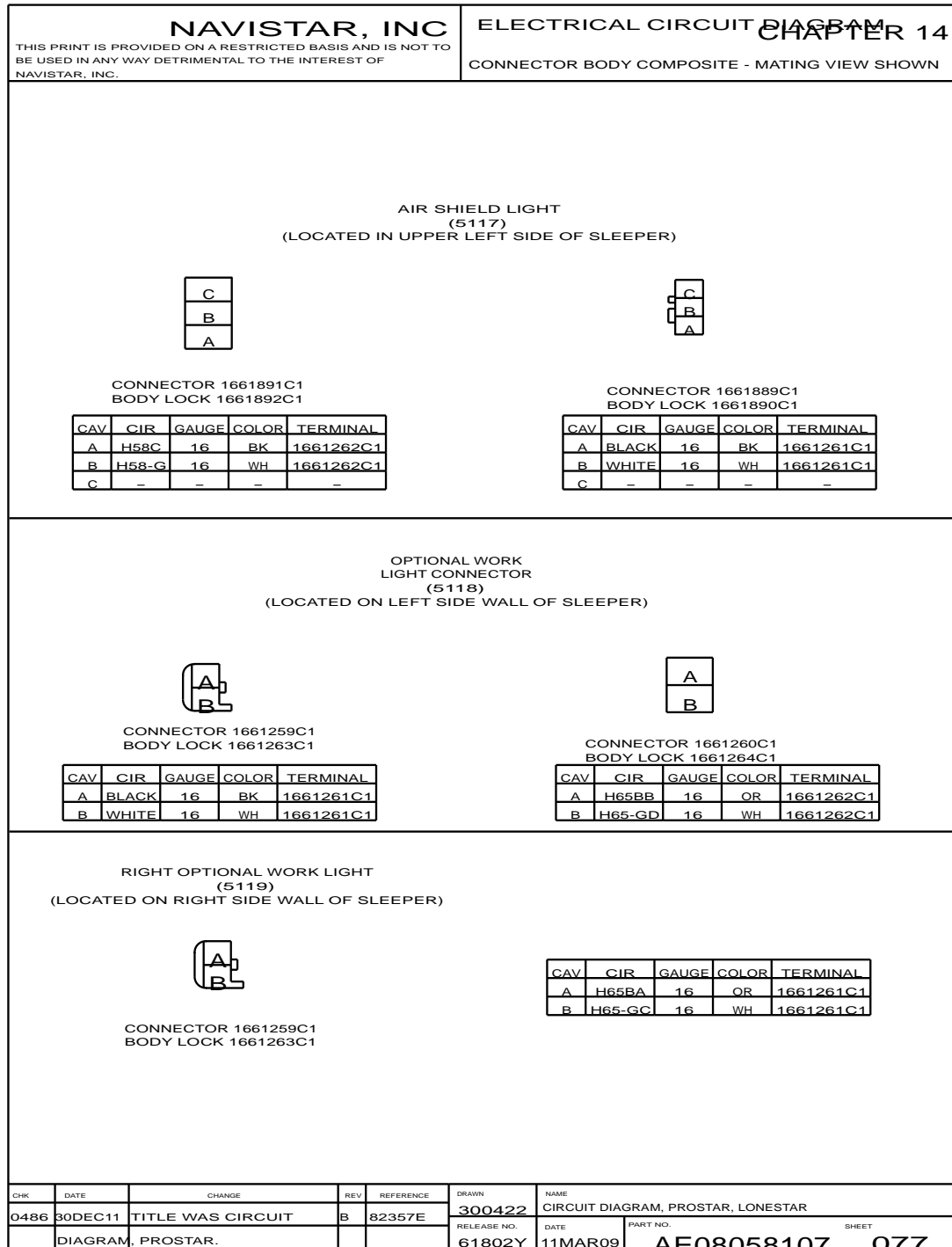


Figure 513 Connector Body Composite (5117), (5118), (5119)

14.134. CONNECTOR BODY COMPOSITE (5123), (5124), (5125), (5126), P. 78

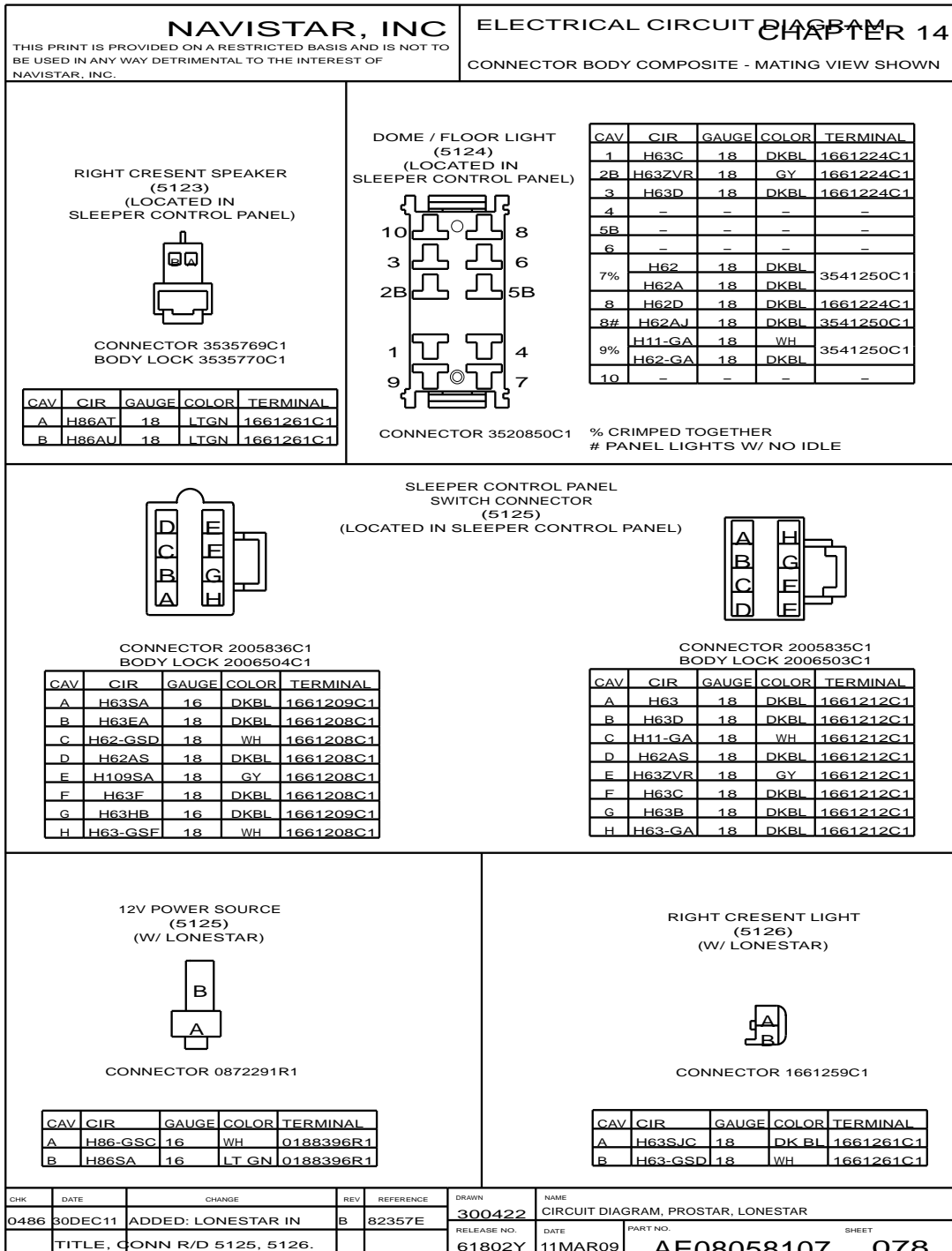


Figure 514 Connector Body Composite (5123), (5124), (5125), (5126)

14.135. CONNECTOR BODY COMPOSITE (5126), (5127), (5128), (5129), (5130), P. 79

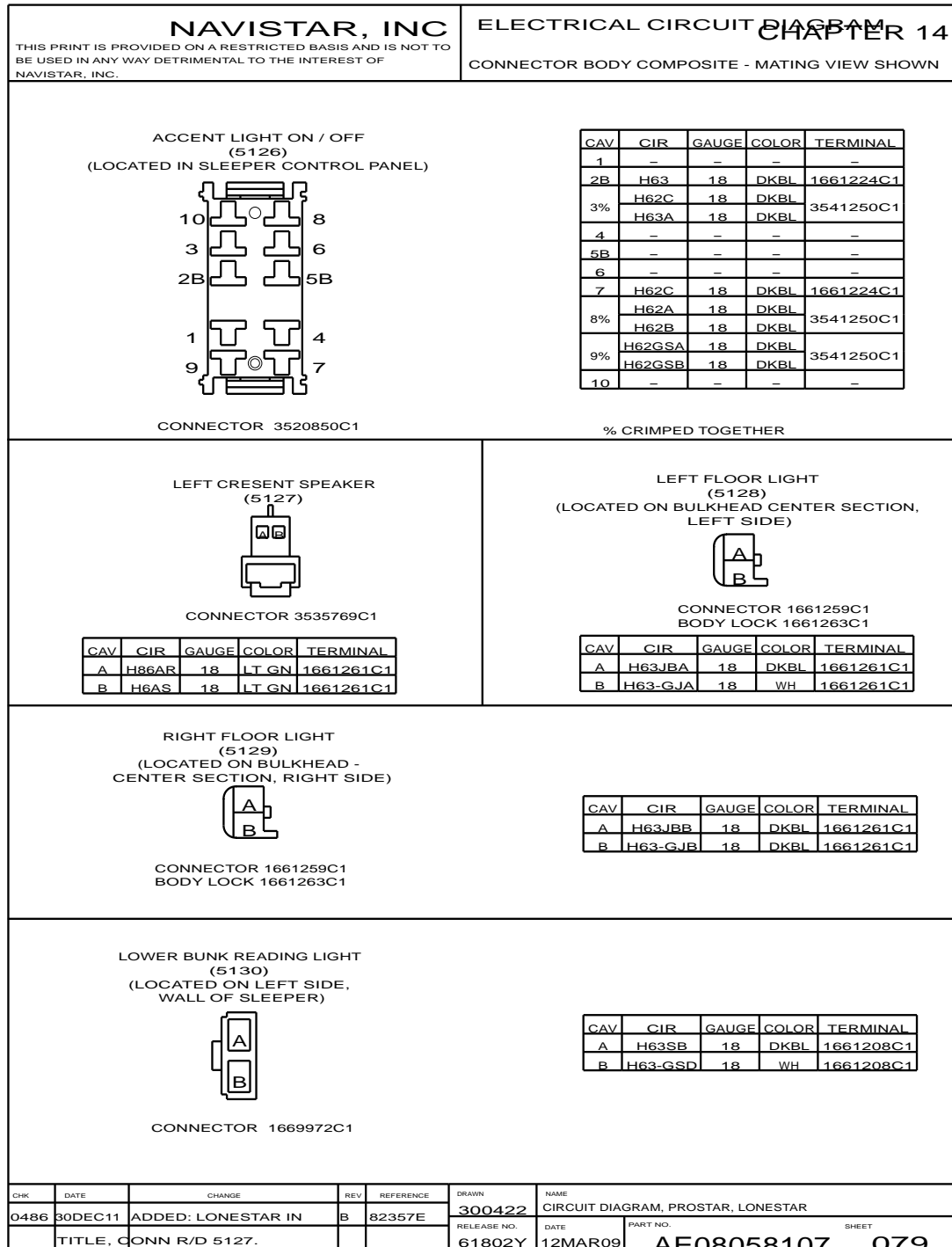


Figure 515 Connector Body Composite (5126), (5127), (5128), (5129), (5130)

14.136. CONNECTOR BODY COMPOSITE (5130), (5131), (5134), P. 79A

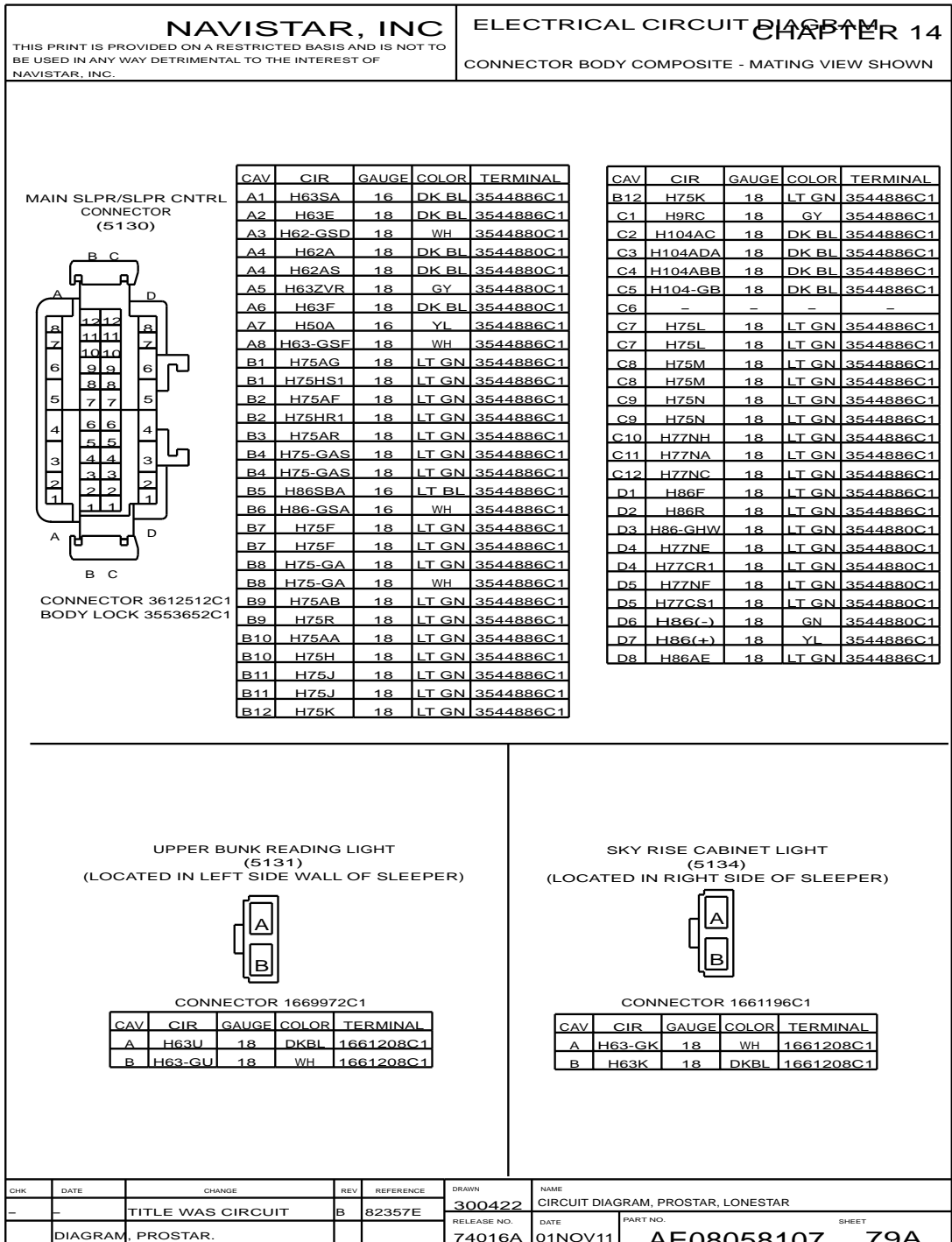


Figure 516 Connector Body Composite (5130), (5131), (5134)

14.137. CONNECTOR BODY COMPOSITE (5134), (5134F), (5135), P. 80

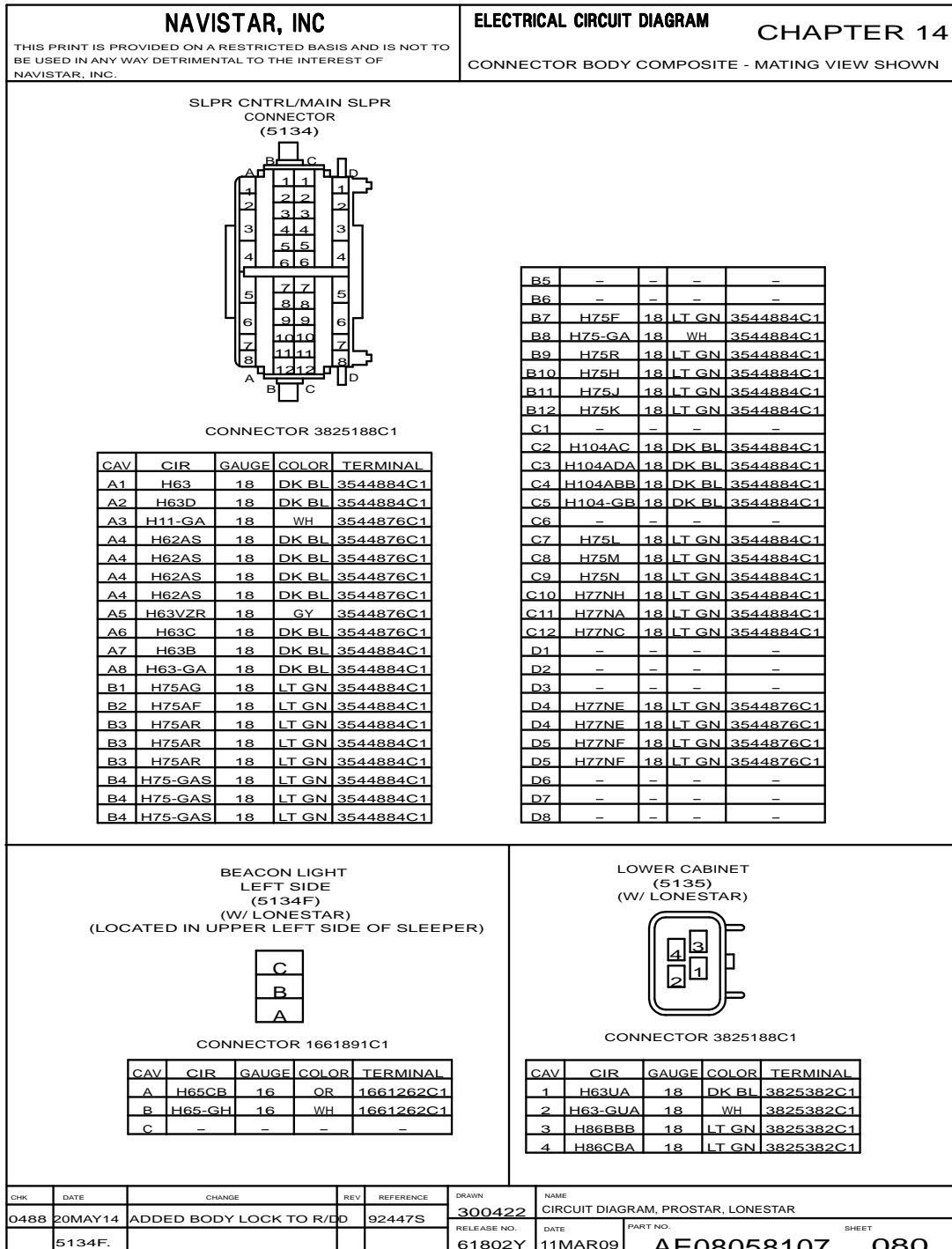


Figure 517 Connector Body Composite (5134), (5134F), (5135)

14.138. CONNECTOR BODY COMPOSITE (5135F), (5136), (5200), (5202), (5205), P. 81

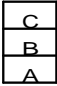
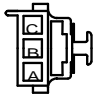

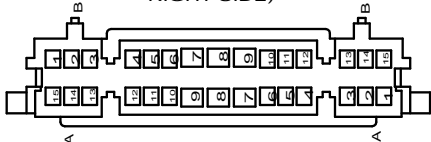
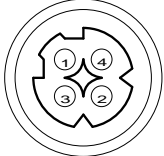
<b>NAVISTAR, INC</b>				<b>ELECTRICAL CIRCUIT DIAGRAM</b>				<b>CHAPTER 14</b>																																																																																																																																																																													
THIS PRINT IS PROVIDED ON A RESTRICTED BASIS AND IS NOT TO BE USED IN ANY WAY DETRIMENTAL TO THE INTEREST OF NAVISTAR, INC.				CONNECTOR BODY COMPOSITE - MATING VIEW SHOWN																																																																																																																																																																																	
BEACON LIGHT RIGHT SIDE (5135F) (LOCATED IN UPPER RIGHT SIDE OF SLEEPER)						TEMPERATURE CONTROL (5202) (LOCATED IN SLEEPER CONTROL PANEL)																																																																																																																																																																															
																																																																																																																																																																																					
CONNECTOR 1661891C1 BODY LOCK 1661892C1						CONNECTOR 3599251C1 BODY LOCK 3599255C1																																																																																																																																																																															
<table border="1" style="width:100%; border-collapse: collapse; font-size: x-small;"> <thead> <tr> <th>CAV</th><th>CIR</th><th>GAUGE</th><th>COLOR</th><th>TERMINAL</th></tr> </thead> <tbody> <tr> <td>A</td><td>H65CA</td><td>16</td><td>OR</td><td>1661262C1</td></tr> <tr> <td>B</td><td>H65-GJ</td><td>16</td><td>WH</td><td>1661262C1</td></tr> <tr> <td>C</td><td>-</td><td>-</td><td>-</td><td>-</td></tr> </tbody> </table>						CAV	CIR	GAUGE	COLOR	TERMINAL	A	H65CA	16	OR	1661262C1	B	H65-GJ	16	WH	1661262C1	C	-	-	-	-	<table border="1" style="width:100%; border-collapse: collapse; font-size: x-small;"> <thead> <tr> <th>CAV</th><th>CIR</th><th>GAUGE</th><th>COLOR</th><th>TERMINAL</th></tr> </thead> <tbody> <tr> <td>A</td><td>H77TVT</td><td>18</td><td>LTGN</td><td>3534164C1</td></tr> <tr> <td>B</td><td>H77TT</td><td>18</td><td>LTGN</td><td>3534164C1</td></tr> <tr> <td>C</td><td>H77TZT</td><td>18</td><td>LTGN</td><td>3534164C1</td></tr> </tbody> </table>						CAV	CIR	GAUGE	COLOR	TERMINAL	A	H77TVT	18	LTGN	3534164C1	B	H77TT	18	LTGN	3534164C1	C	H77TZT	18	LTGN	3534164C1																																																																																																																																		
CAV	CIR	GAUGE	COLOR	TERMINAL																																																																																																																																																																																	
A	H65CA	16	OR	1661262C1																																																																																																																																																																																	
B	H65-GJ	16	WH	1661262C1																																																																																																																																																																																	
C	-	-	-	-																																																																																																																																																																																	
CAV	CIR	GAUGE	COLOR	TERMINAL																																																																																																																																																																																	
A	H77TVT	18	LTGN	3534164C1																																																																																																																																																																																	
B	H77TT	18	LTGN	3534164C1																																																																																																																																																																																	
C	H77TZT	18	LTGN	3534164C1																																																																																																																																																																																	
LOWER CABINET (5136) (W/ LONESTAR)						AUX HVAC BERGSTROM NO IDLE CONTROLLER (5205) (LOCATED UNDER BUNK- RIGHT SIDE)																																																																																																																																																																															
																																																																																																																																																																																					
CONNECTOR 3825182C91						3544870C1 3544871C1 BODY LOCK																																																																																																																																																																															
<table border="1" style="width:100%; border-collapse: collapse; font-size: x-small;"> <thead> <tr> <th>CAV</th><th>CIR</th><th>GAUGE</th><th>COLOR</th><th>TERMINAL</th></tr> </thead> <tbody> <tr> <td>1</td><td>H63K</td><td>18</td><td>DK BL</td><td>3593251C1</td></tr> <tr> <td>2</td><td>H63-GK</td><td>18</td><td>WH</td><td>3593251C1</td></tr> </tbody> </table>						CAV	CIR	GAUGE	COLOR	TERMINAL	1	H63K	18	DK BL	3593251C1	2	H63-GK	18	WH	3593251C1	<table border="1" style="width:100%; border-collapse: collapse; font-size: x-small;"> <thead> <tr> <th>CAV</th><th>CIR</th><th>GAUGE</th><th>COLOR</th><th>TERMINAL</th></tr> </thead> <tbody> <tr><td>A1</td><td>-</td><td>-</td><td>-</td><td>-</td></tr> <tr><td>A2</td><td>H75-GA</td><td>18</td><td>LTGN</td><td>3544884C1</td></tr> <tr><td>A3</td><td>H75AJA</td><td>18</td><td>LTGN</td><td>3544884C1</td></tr> <tr><td>A4</td><td>H75X</td><td>18</td><td>LTGN</td><td>3544884C1</td></tr> <tr><td>A5</td><td>H5SA(+)</td><td>18</td><td>YL</td><td>3544884C1</td></tr> <tr><td>A6</td><td>H5SA(-)</td><td>18</td><td>LTGN</td><td>3544884C1</td></tr> <tr><td>A7</td><td>H14HA</td><td>12</td><td>RD</td><td>3544877C1</td></tr> <tr><td>A8</td><td>H14HB</td><td>12</td><td>RD</td><td>3544877C1</td></tr> <tr><td>A9</td><td>H104</td><td>12</td><td>RD</td><td>3544877C1</td></tr> <tr><td>A10</td><td>-</td><td>-</td><td>-</td><td>-</td></tr> <tr><td>A11</td><td>H75F</td><td>18</td><td>LTGN</td><td>3544884C1</td></tr> <tr><td>A12</td><td>H75N</td><td>18</td><td>LTGN</td><td>3544884C1</td></tr> <tr><td>A13</td><td>-</td><td>-</td><td>-</td><td>-</td></tr> <tr><td>A14</td><td>H77NH</td><td>18</td><td>LTGN</td><td>3544884C1</td></tr> <tr><td>A15</td><td>H77ND</td><td>18</td><td>LTGN</td><td>3544884C1</td></tr> <tr><td>B1</td><td>H75AB</td><td>18</td><td>LTGN</td><td>3544884C1</td></tr> <tr><td>B2</td><td>H75AA</td><td>18</td><td>LTGN</td><td>3544884C1</td></tr> <tr><td>B3</td><td>H75J</td><td>18</td><td>LTGN</td><td>3544884C1</td></tr> <tr><td>B4</td><td>H75K</td><td>18</td><td>LTGN</td><td>3544884C1</td></tr> <tr><td>B5</td><td>H75L</td><td>18</td><td>LTGN</td><td>3544884C1</td></tr> <tr><td>B6</td><td>H75M</td><td>18</td><td>LTGN</td><td>3544884C1</td></tr> <tr><td>B7</td><td>H75-GBA</td><td>12</td><td>WH</td><td>3544877C1</td></tr> <tr><td>B8</td><td>H75-GBB</td><td>12</td><td>WH</td><td>3544877C1</td></tr> <tr><td>B9</td><td>H104-G</td><td>12</td><td>WH</td><td>3544877C1</td></tr> <tr><td>B10</td><td>-</td><td>-</td><td>-</td><td>-</td></tr> <tr><td>B11</td><td>-</td><td>-</td><td>-</td><td>-</td></tr> <tr><td>B12</td><td>H77NF</td><td>18</td><td>LTGN</td><td>3544884C1</td></tr> <tr><td>B13</td><td>H77NE</td><td>18</td><td>LTGN</td><td>3544884C1</td></tr> <tr><td>B14</td><td>H75HG</td><td>18</td><td>LTGN</td><td>3544884C1</td></tr> <tr><td>B15</td><td>H75HF</td><td>18</td><td>LTGN</td><td>3544884C1</td></tr> </tbody> </table>						CAV	CIR	GAUGE	COLOR	TERMINAL	A1	-	-	-	-	A2	H75-GA	18	LTGN	3544884C1	A3	H75AJA	18	LTGN	3544884C1	A4	H75X	18	LTGN	3544884C1	A5	H5SA(+)	18	YL	3544884C1	A6	H5SA(-)	18	LTGN	3544884C1	A7	H14HA	12	RD	3544877C1	A8	H14HB	12	RD	3544877C1	A9	H104	12	RD	3544877C1	A10	-	-	-	-	A11	H75F	18	LTGN	3544884C1	A12	H75N	18	LTGN	3544884C1	A13	-	-	-	-	A14	H77NH	18	LTGN	3544884C1	A15	H77ND	18	LTGN	3544884C1	B1	H75AB	18	LTGN	3544884C1	B2	H75AA	18	LTGN	3544884C1	B3	H75J	18	LTGN	3544884C1	B4	H75K	18	LTGN	3544884C1	B5	H75L	18	LTGN	3544884C1	B6	H75M	18	LTGN	3544884C1	B7	H75-GBA	12	WH	3544877C1	B8	H75-GBB	12	WH	3544877C1	B9	H104-G	12	WH	3544877C1	B10	-	-	-	-	B11	-	-	-	-	B12	H77NF	18	LTGN	3544884C1	B13	H77NE	18	LTGN	3544884C1	B14	H75HG	18	LTGN	3544884C1	B15	H75HF	18	LTGN	3544884C1
CAV	CIR	GAUGE	COLOR	TERMINAL																																																																																																																																																																																	
1	H63K	18	DK BL	3593251C1																																																																																																																																																																																	
2	H63-GK	18	WH	3593251C1																																																																																																																																																																																	
CAV	CIR	GAUGE	COLOR	TERMINAL																																																																																																																																																																																	
A1	-	-	-	-																																																																																																																																																																																	
A2	H75-GA	18	LTGN	3544884C1																																																																																																																																																																																	
A3	H75AJA	18	LTGN	3544884C1																																																																																																																																																																																	
A4	H75X	18	LTGN	3544884C1																																																																																																																																																																																	
A5	H5SA(+)	18	YL	3544884C1																																																																																																																																																																																	
A6	H5SA(-)	18	LTGN	3544884C1																																																																																																																																																																																	
A7	H14HA	12	RD	3544877C1																																																																																																																																																																																	
A8	H14HB	12	RD	3544877C1																																																																																																																																																																																	
A9	H104	12	RD	3544877C1																																																																																																																																																																																	
A10	-	-	-	-																																																																																																																																																																																	
A11	H75F	18	LTGN	3544884C1																																																																																																																																																																																	
A12	H75N	18	LTGN	3544884C1																																																																																																																																																																																	
A13	-	-	-	-																																																																																																																																																																																	
A14	H77NH	18	LTGN	3544884C1																																																																																																																																																																																	
A15	H77ND	18	LTGN	3544884C1																																																																																																																																																																																	
B1	H75AB	18	LTGN	3544884C1																																																																																																																																																																																	
B2	H75AA	18	LTGN	3544884C1																																																																																																																																																																																	
B3	H75J	18	LTGN	3544884C1																																																																																																																																																																																	
B4	H75K	18	LTGN	3544884C1																																																																																																																																																																																	
B5	H75L	18	LTGN	3544884C1																																																																																																																																																																																	
B6	H75M	18	LTGN	3544884C1																																																																																																																																																																																	
B7	H75-GBA	12	WH	3544877C1																																																																																																																																																																																	
B8	H75-GBB	12	WH	3544877C1																																																																																																																																																																																	
B9	H104-G	12	WH	3544877C1																																																																																																																																																																																	
B10	-	-	-	-																																																																																																																																																																																	
B11	-	-	-	-																																																																																																																																																																																	
B12	H77NF	18	LTGN	3544884C1																																																																																																																																																																																	
B13	H77NE	18	LTGN	3544884C1																																																																																																																																																																																	
B14	H75HG	18	LTGN	3544884C1																																																																																																																																																																																	
B15	H75HF	18	LTGN	3544884C1																																																																																																																																																																																	
COOLANT FLOW VALVE (5200)																																																																																																																																																																																					
																																																																																																																																																																																					
CONNECTOR 3714731C1																																																																																																																																																																																					
<table border="1" style="width:100%; border-collapse: collapse; font-size: x-small;"> <thead> <tr> <th>CAVITY</th><th>CIRC</th><th>GAUGE</th><th>COLOR</th><th>TERMINAL</th><th>SEAL/SLEEVE</th></tr> </thead> <tbody> <tr> <td>1</td><td>K95AB</td><td>20</td><td>TN</td><td>3601686C1</td><td>3733609C1</td></tr> <tr> <td>2</td><td>PLUG</td><td>-</td><td>-</td><td>-</td><td>-</td></tr> <tr> <td>3</td><td>PLUG</td><td>-</td><td>-</td><td>-</td><td>-</td></tr> <tr> <td>4</td><td>K95AB</td><td>20</td><td>TN</td><td>3601686C1</td><td>3733609C1</td></tr> </tbody> </table>						CAVITY	CIRC	GAUGE	COLOR	TERMINAL	SEAL/SLEEVE	1	K95AB	20	TN	3601686C1	3733609C1	2	PLUG	-	-	-	-	3	PLUG	-	-	-	-	4	K95AB	20	TN	3601686C1	3733609C1																																																																																																																																																		
CAVITY	CIRC	GAUGE	COLOR	TERMINAL	SEAL/SLEEVE																																																																																																																																																																																
1	K95AB	20	TN	3601686C1	3733609C1																																																																																																																																																																																
2	PLUG	-	-	-	-																																																																																																																																																																																
3	PLUG	-	-	-	-																																																																																																																																																																																
4	K95AB	20	TN	3601686C1	3733609C1																																																																																																																																																																																
CHK	DATE	CHANGE	REV	REFERENCE	DRAWN	NAME																																																																																																																																																																															
0488	20MAY14	ADDED BODY LOCK TO R/DF	92447S	MJV0370	CIRCUIT DIAGRAM, PROSTAR, LONESTAR																																																																																																																																																																																
5135F.		91662T		DATE	PART NO.	SHEET																																																																																																																																																																															
24DEC12		AE08058107		081																																																																																																																																																																																	

Figure 518 Connector Body Composite (5135F), (5136), (5200), (5202), (5205)

14.139. CONNECTOR BODY COMPOSITE (5210), (5212), (5213), P. 81A

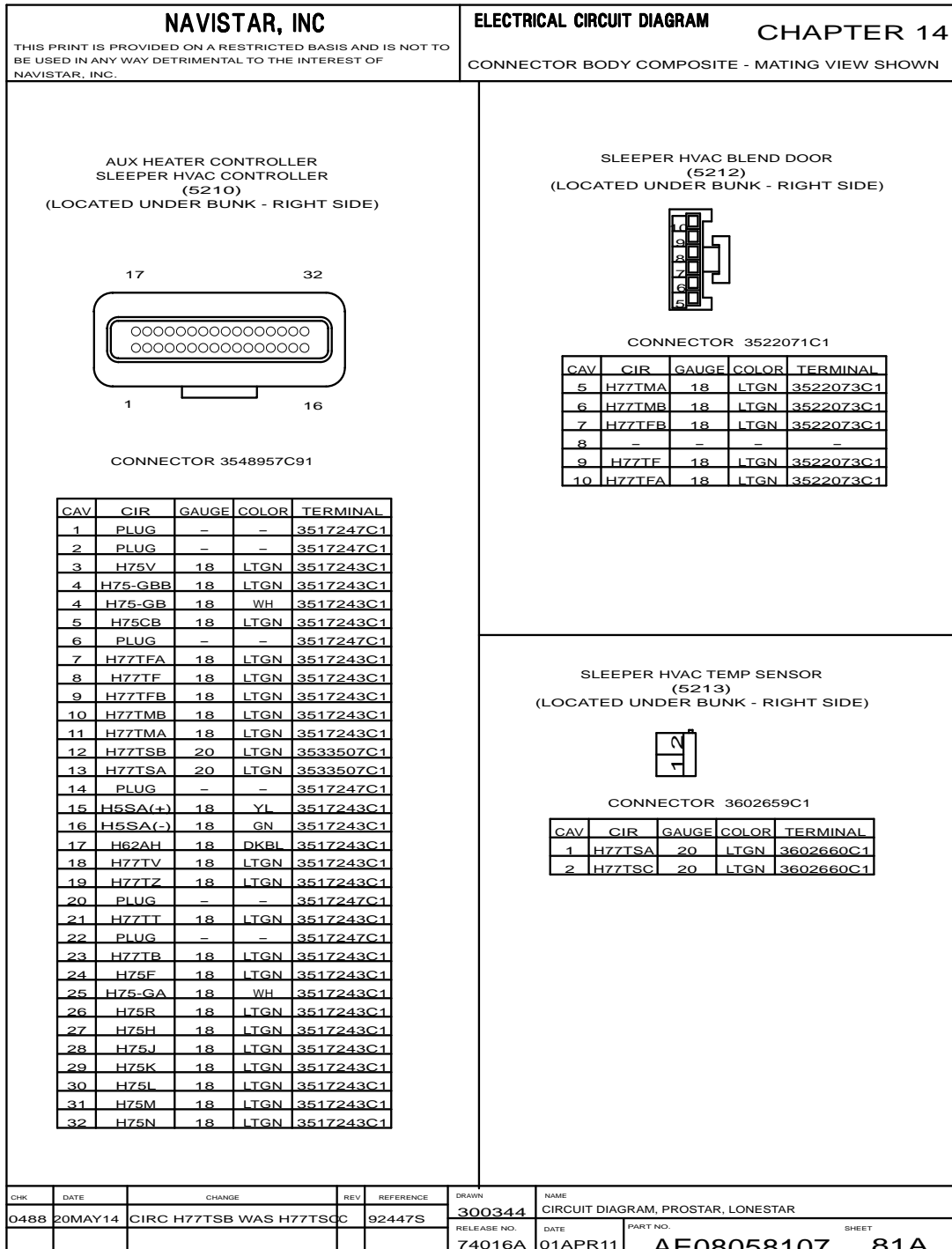


Figure 519 Connector Body Composite (5210), (5212), (5213)

14.140. CONNECTOR BODY COMPOSITE (5214), (5215), (5216), (5217), (5218), (5219), P. 82

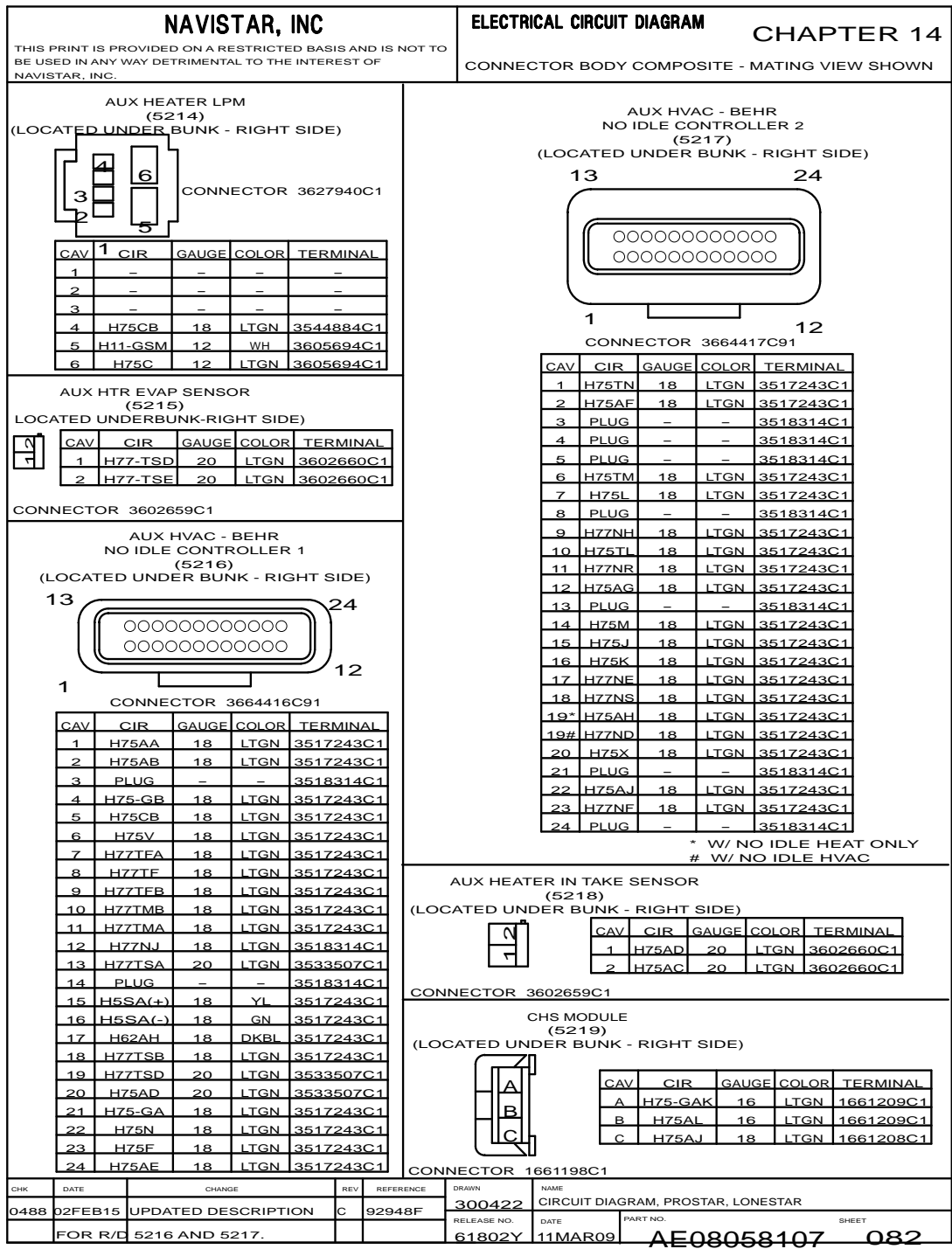


Figure 520 Connector Body Composite (5214), (5215), (5216), (5217), (5218), (5219)



14.141. CONNECTOR BODY COMPOSITE (5220), (5222), (5230), P. 83

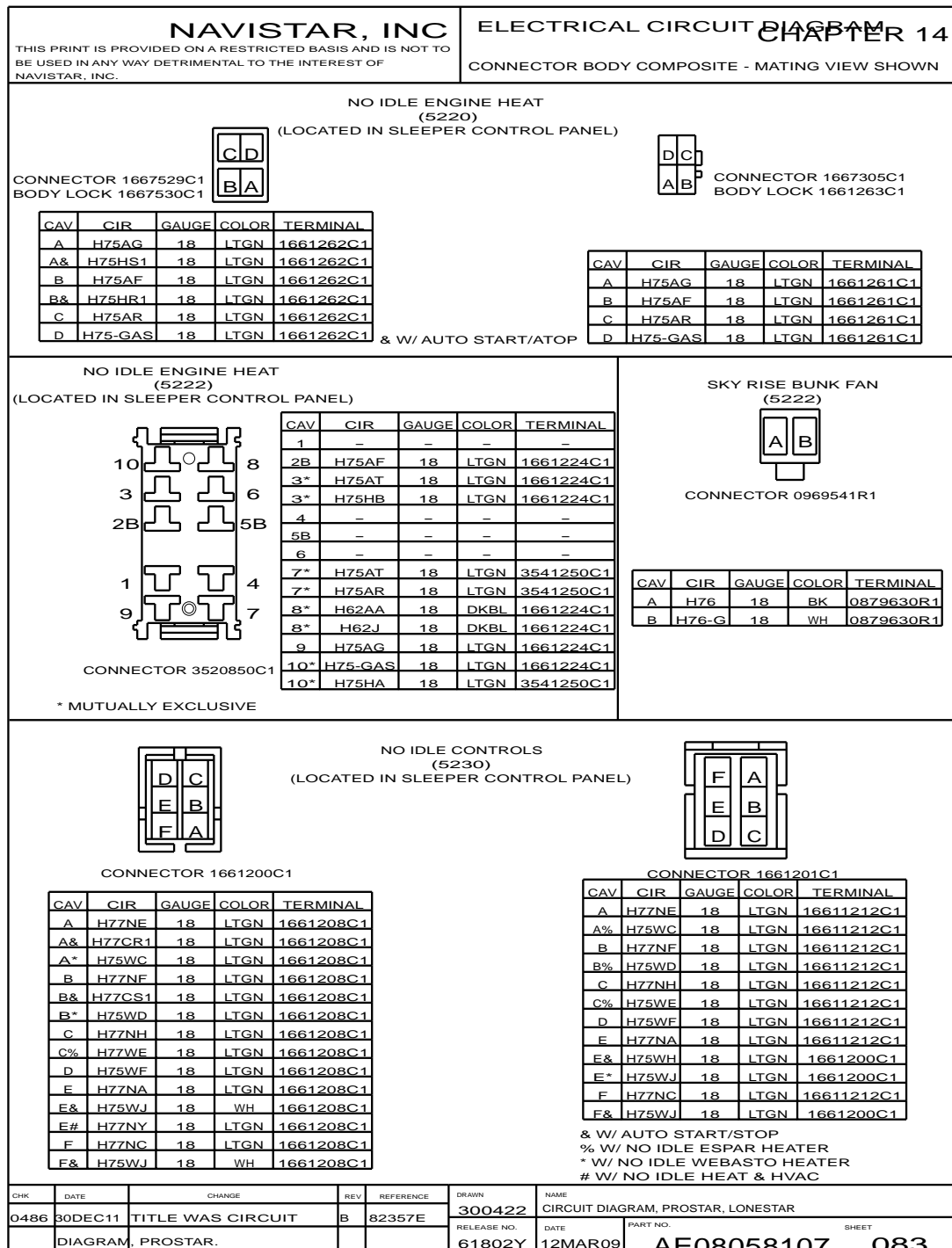


Figure 521 Connector Body Composite (5220), (5222), (5230)

14.142. CONNECTOR BODY COMPOSITE (5232), (5233), (5234), P. 84

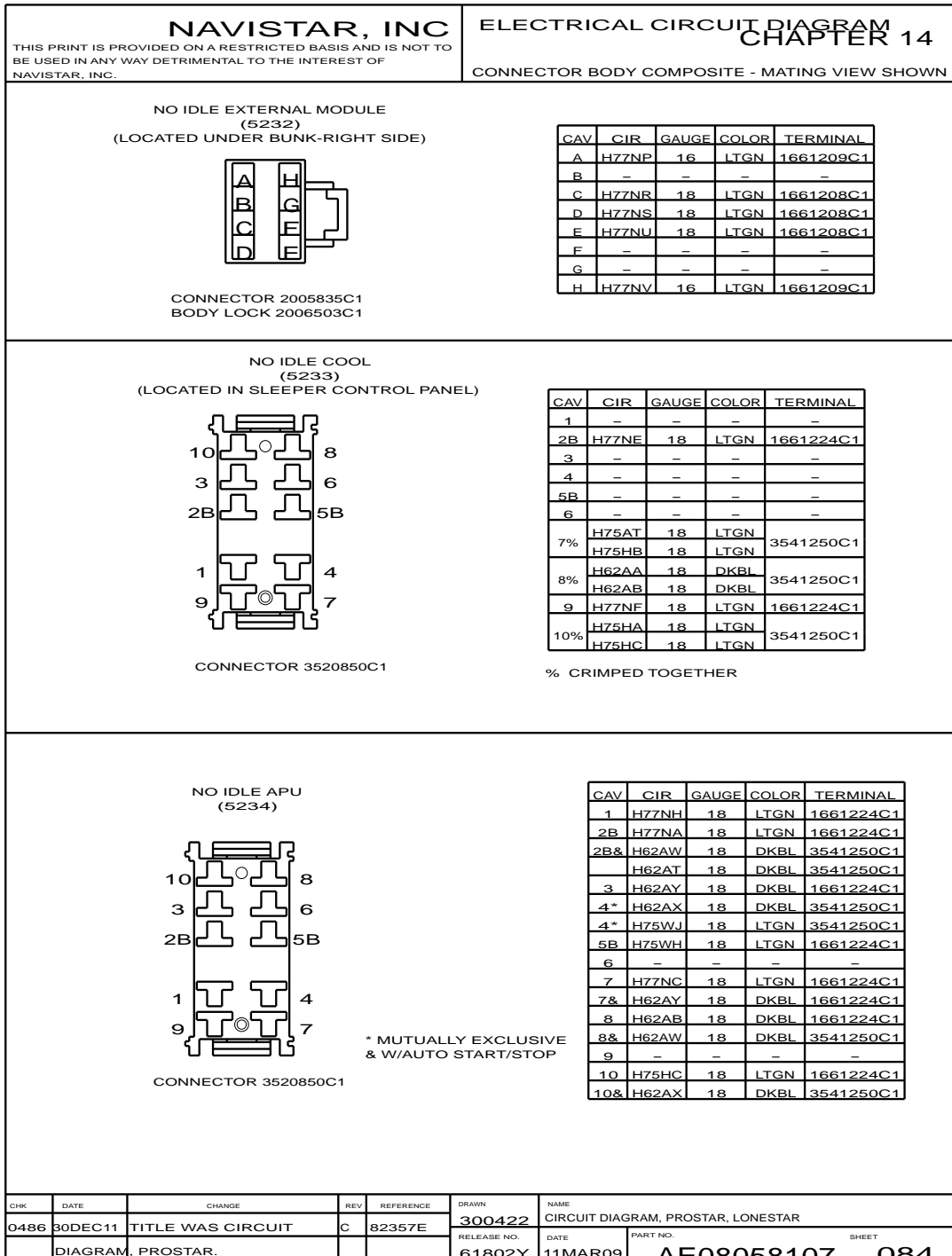


Figure 522 Connector Body Composite (5232), (5233), (5234)

14.143. CONNECTOR BODY COMPOSITE (5235), (5236), (5237), (5238), P. 84A

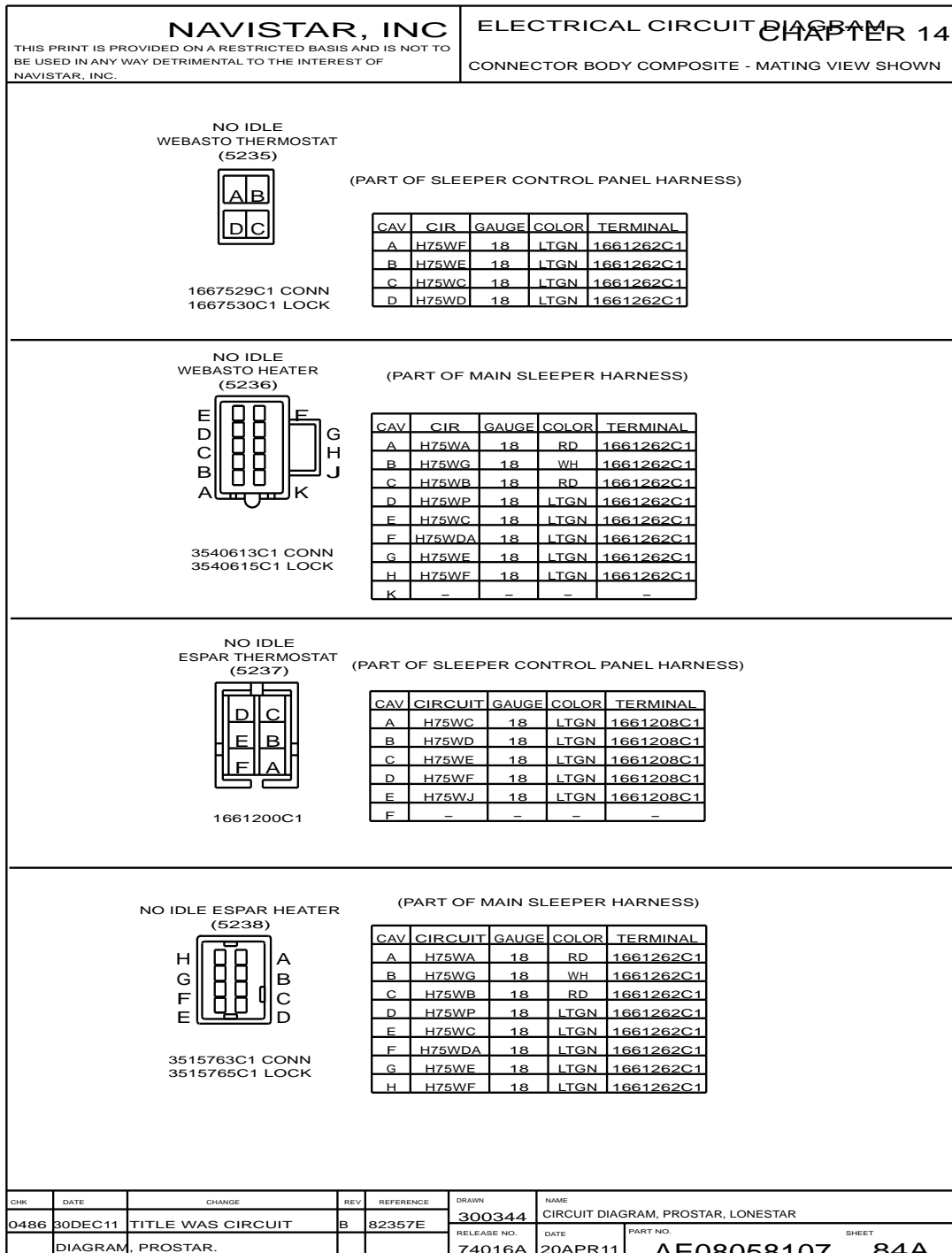


Figure 523 Connector Body Composite (5235), (5236), (5237), (5238)

14.144. CONNECTOR BODY COMPOSITE (5300), (5303), (5312), (5313), P. 85

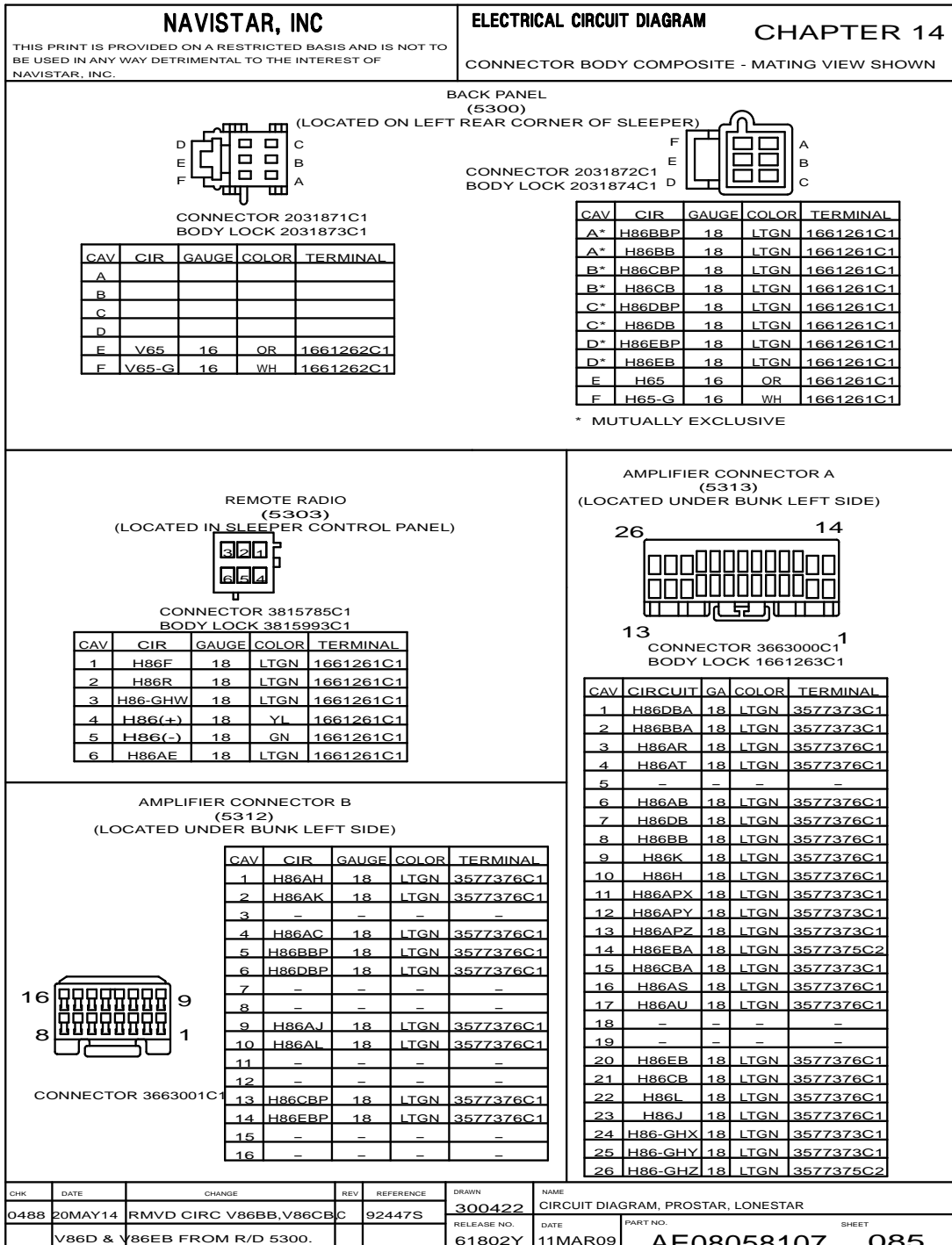


Figure 524 Connector Body Composite (5300), (5303), (5312), (5313)

14.145. CONNECTOR BODY COMPOSITE (5314), (5500), (5501), (5502), (5510), P. 86


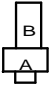

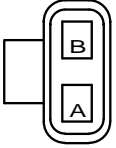

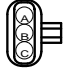
NAVISTAR, INC					ELECTRICAL CIRCUIT DIAGRAM				
THIS PRINT IS PROVIDED ON A RESTRICTED BASIS AND IS NOT TO BE USED IN ANY WAY DETRIMENTAL TO THE INTEREST OF NAVISTAR, INC.					CHAPTER 14				
					CONNECTOR BODY COMPOSITE - MATING VIEW SHOWN				
SUBWOOFER CONN (5314) (LOCATED UNDER BUNK LEFT SIDE)					REFRIGERATOR (5500) (LOCATED ON RIGHT SIDE, BACK OF PASSENGER SEAT)				
									
CONNECTOR 1661200C1					CONNECTOR 0872291R1				
CAV	CIRCUIT	GAUGE	COLOR	TERMINAL	CAV	CIR	GAUGE	COLOR	TERMINAL
A	H86DBB	18	LTGN	1661208C1	A*	H86-GK	18	WH	0879630R1
B	H86DBC	18	LTGN	1661208C1	A#	H12-GK	18	WH	0879630R1
C	-	-	-	-	B*	H86AG	18	LTGN	0879630R1
D	-	-	-	-	B#	H12CF	14	LTBL	0188396R1
E	H86EBC	18	LTGN	1661208C1	* W/ REFRIGERATOR FEED # W/ REFRIGERATOR PWR CONTROL FEED				
F	H86EBB	18	LTGN	1661208C1					
REFRIGERATOR FEED (5501) (LOCATED ON RIGHT SIDE, BACK OF PASSENGER SEAT)					AFTERTREATMENT 30A FUSE (5501) (LOCATED DRIVER SIDE OF THE ENGINE VALVE COVER NEAR CYLINDER 2 AREA)				
									
CONNECTOR 0872291R1					CONNECTOR 3512967C1				
CAV	CIR	GAUGE	COLOR	TERMINAL	CAV	CIR	GAUGE	COLOR	TERMINAL
A	H86-GK	18	WH	0872291R1	A	K14C	12	RD	3679001C1
B	H86AG	18	LTGN	0872291R1	B	K14B	10	RD	3679001C1
REFRIGERATOR (5502) (LOCATED ON RIGHT SIDE BACK OF PASSENGER SEAT) (W/ LONESTAR)					PEOPLENET J1939 (5510) (LOCATED UNDER BUNK (SLEEPER))				
									
CONNECTOR 0872291R1					CONNECTOR 1667740C1 BODY LOCK 1667771C1				
CAV	CIR	GAUGE	COLOR	TERMINAL	CAV	CIR	GAUGE	COLOR	TERMINAL
A	H86-GK	18	WH	0879630R1	A	H5U(+)	18	YL	1667742C1
B	H86AG	18	LT GN	0879630R1	B	-	-	-	-
					C	H5U(-)	18	GN	1667742C1
CHK	DATE	CHANGE	REV	REFERENCE	DRAWN	NAME			
0488	02FEB15	ADDED R/D 5501.	E	92948F	300422	CIRCUIT DIAGRAM, PROSTAR, LONESTAR			
					RELEASE NO.	DATE	PART NO.	SHEET	
					61802Y	12MAR09	AE08058107	086	

Figure 525 Connector Body Composite (5314), (5500), (5501), (5502), (5510)

14.146. CONNECTOR BODY COMPOSITE (5530), (5600), (5601M), (5602M), (5602F), (5603M), P. 86A

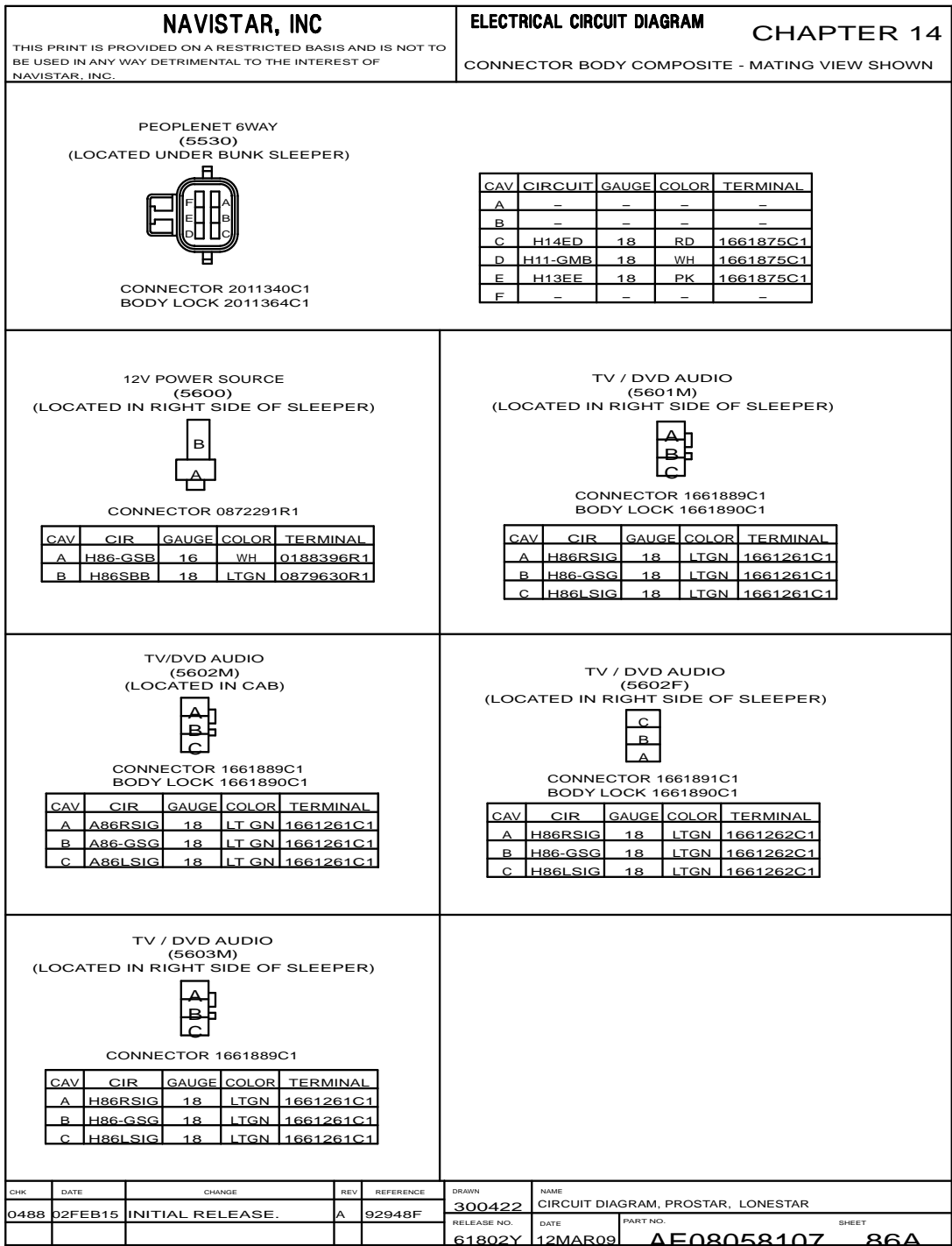


Figure 526 Connector Body Composite (5530), (5600), (5601M), (5602M), (5602F), (5603M)

14.147. CONNECTOR BODY COMPOSITE (5700), (5701), (5702), (5754), P. 87

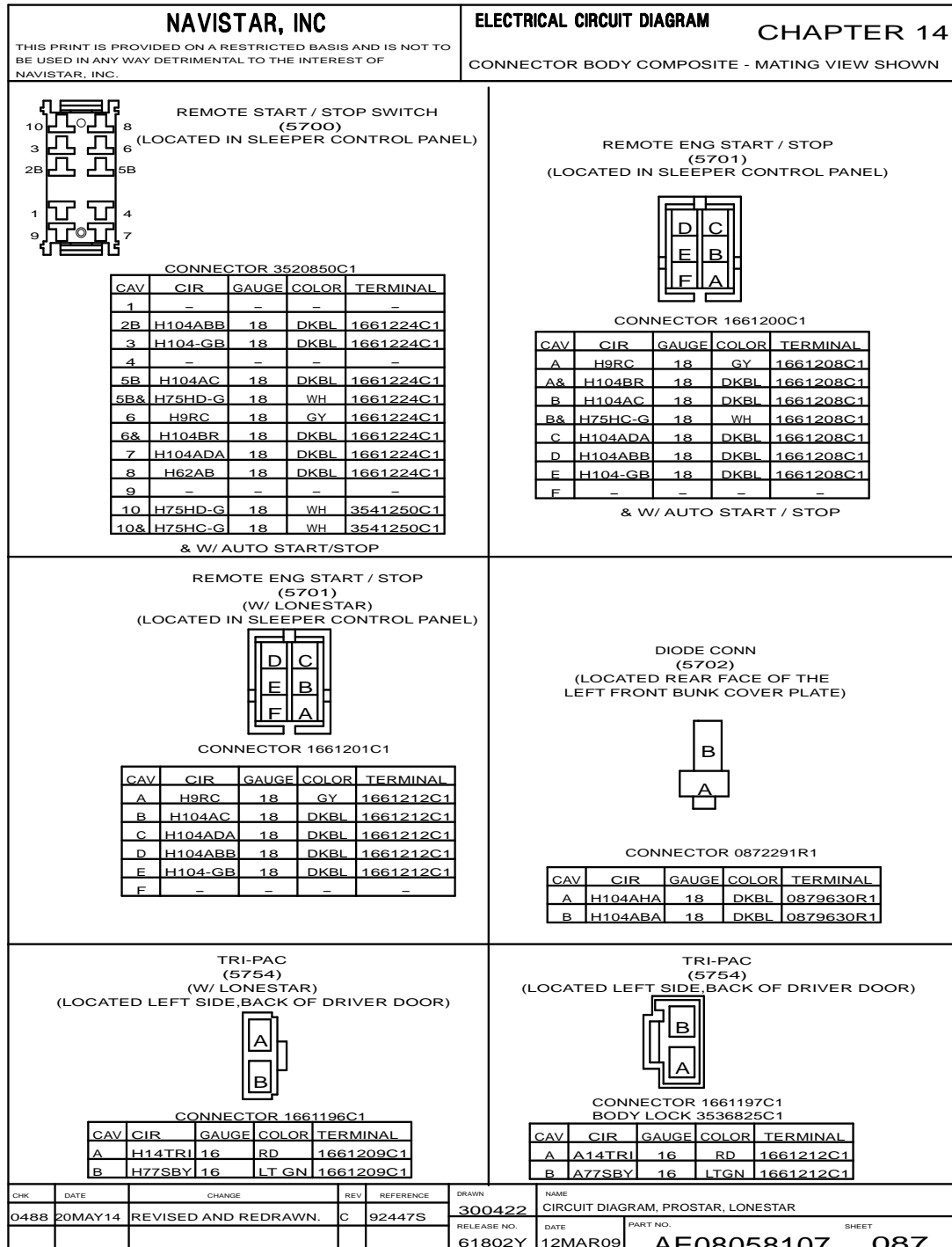


Figure 527 Connector Body Composite (5700), (5701), (5702), (5754)

14.148. CONNECTOR BODY COMPOSITE (5757), (5758), (5758F), (5759F), (5760), (5761), (5803), P. 88

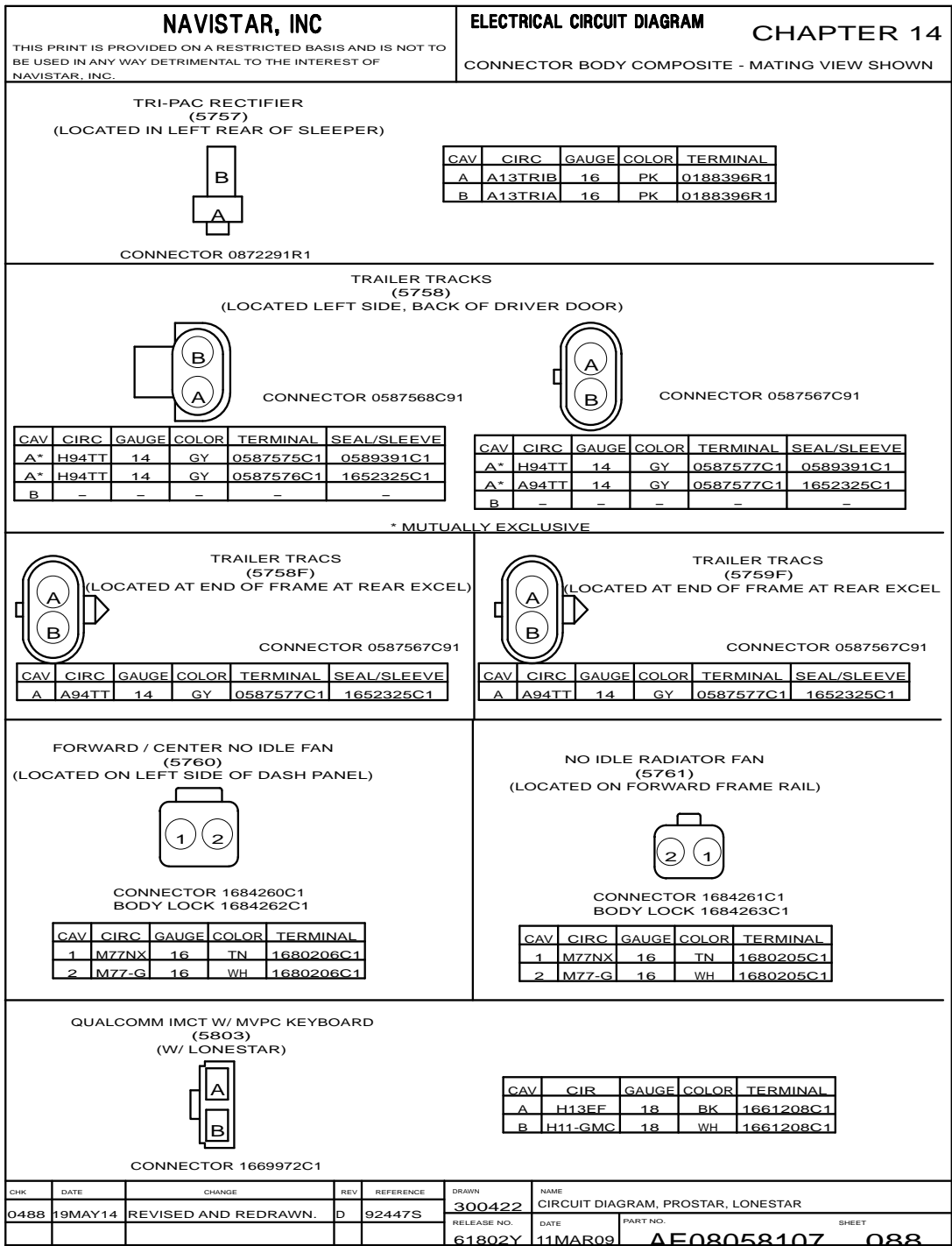


Figure 528 Connector Body Composite (5757), (5758), (5758F), (5759F), (5760), (5761), (5803)



14.149. CONNECTOR BODY COMPOSITE (5803), (5822), (5899), (5899A), (5899B), (5900), (5901), P. 88A

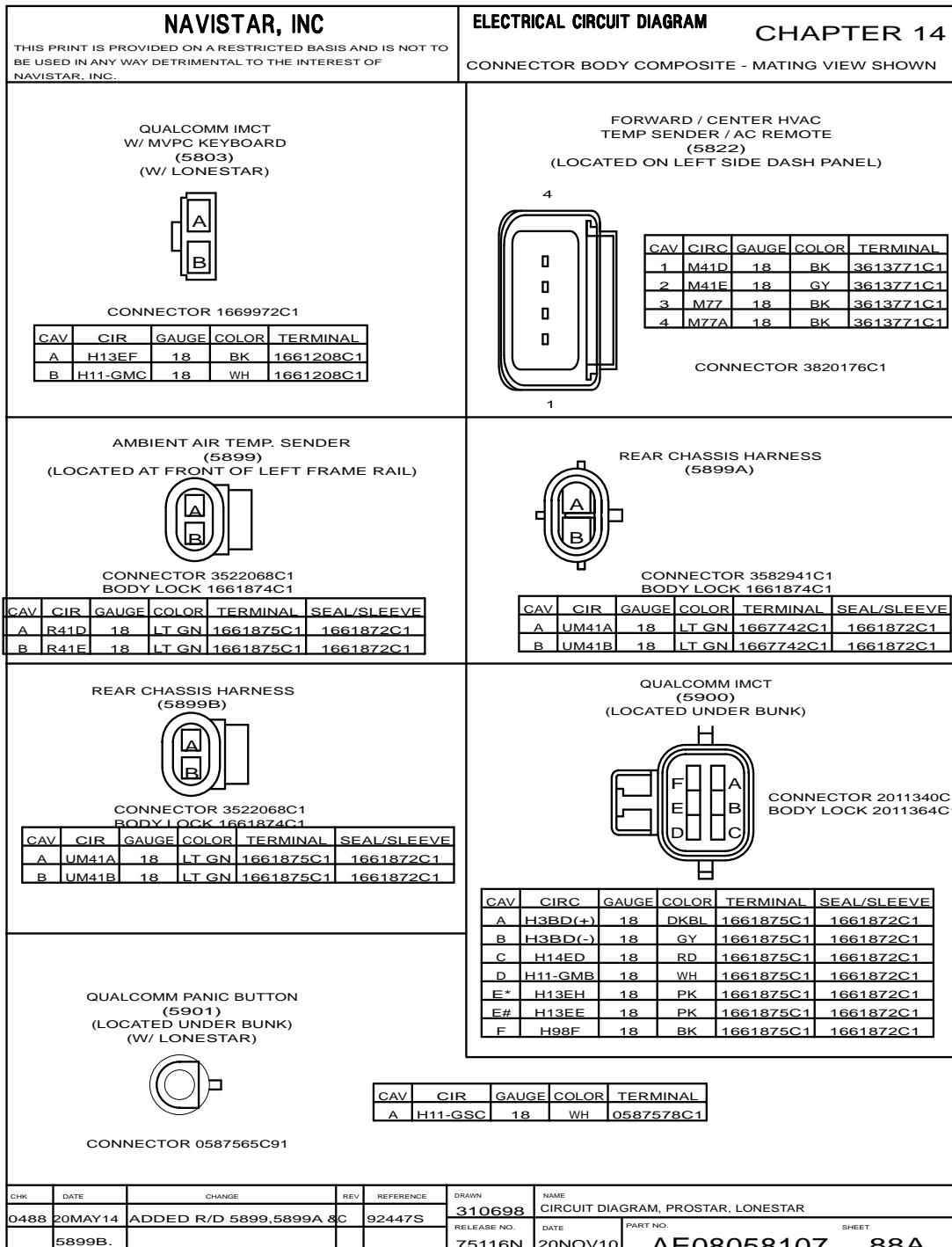


Figure 529 Connector Body Composite (5803), (5822), (5899), (5899A), (5899B), (5900), (5901)

14.150. CONNECTOR BODY COMPOSITE (5902), (5903), P. 88B

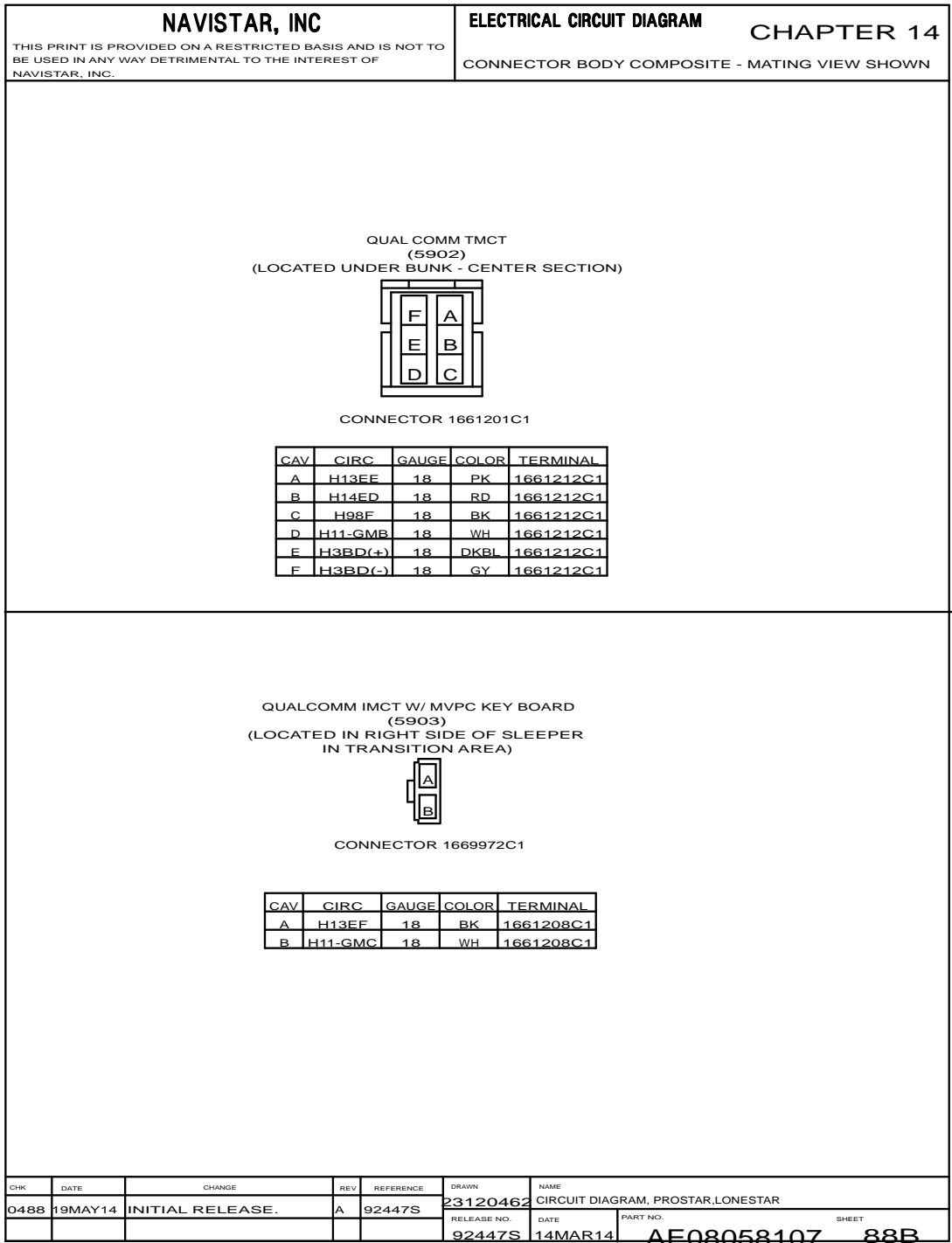


Figure 530 Connector Body Composite (5902), (5903)

14.151. CONNECTOR BODY COMPOSITE (5904), (5904M), (5905), (5905F), P. 89

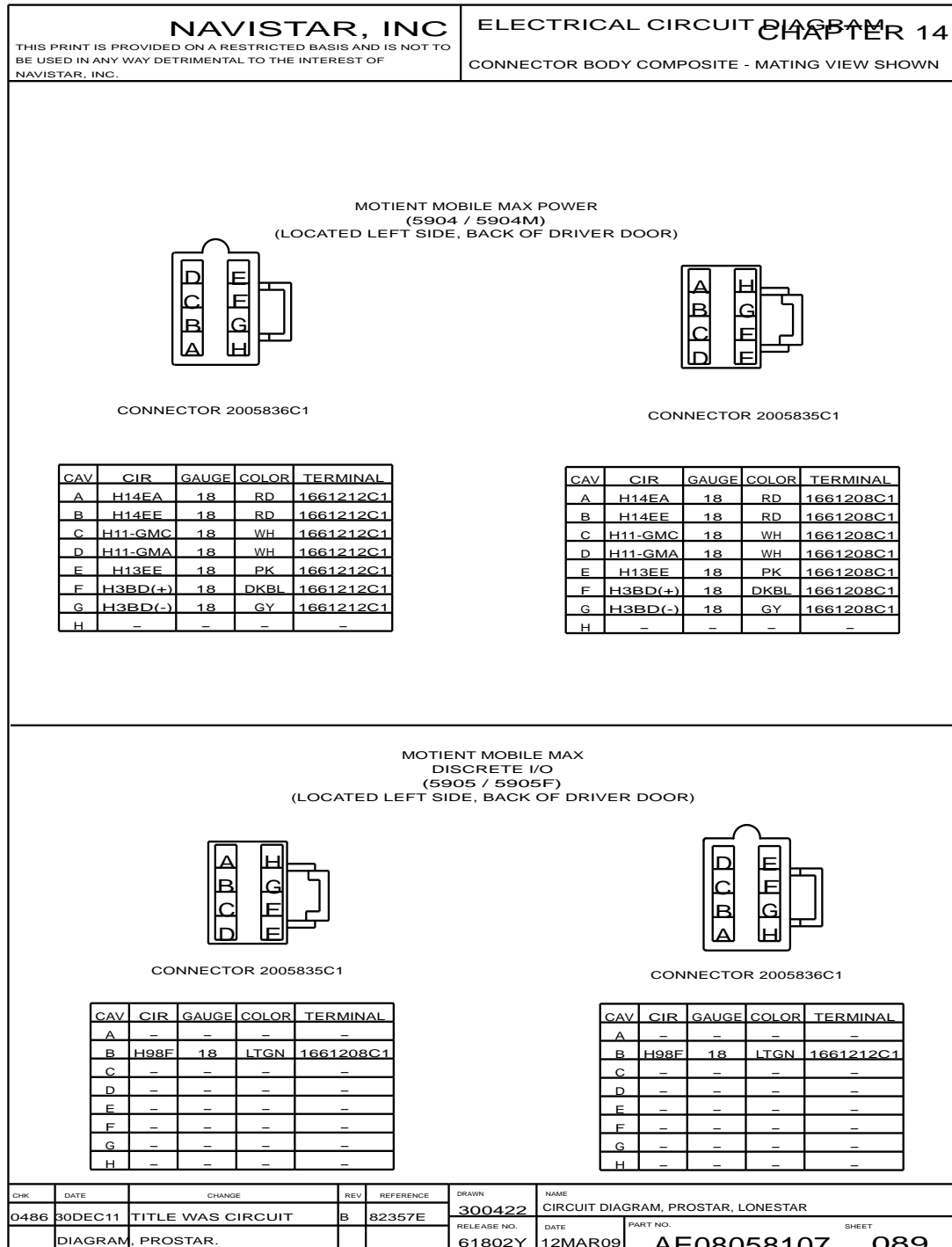


Figure 531 Connector Body Composite (5904), (5904M), (5905), (5905F)

14.152. CONNECTOR BODY COMPOSITE (5906), (5907), P. 90

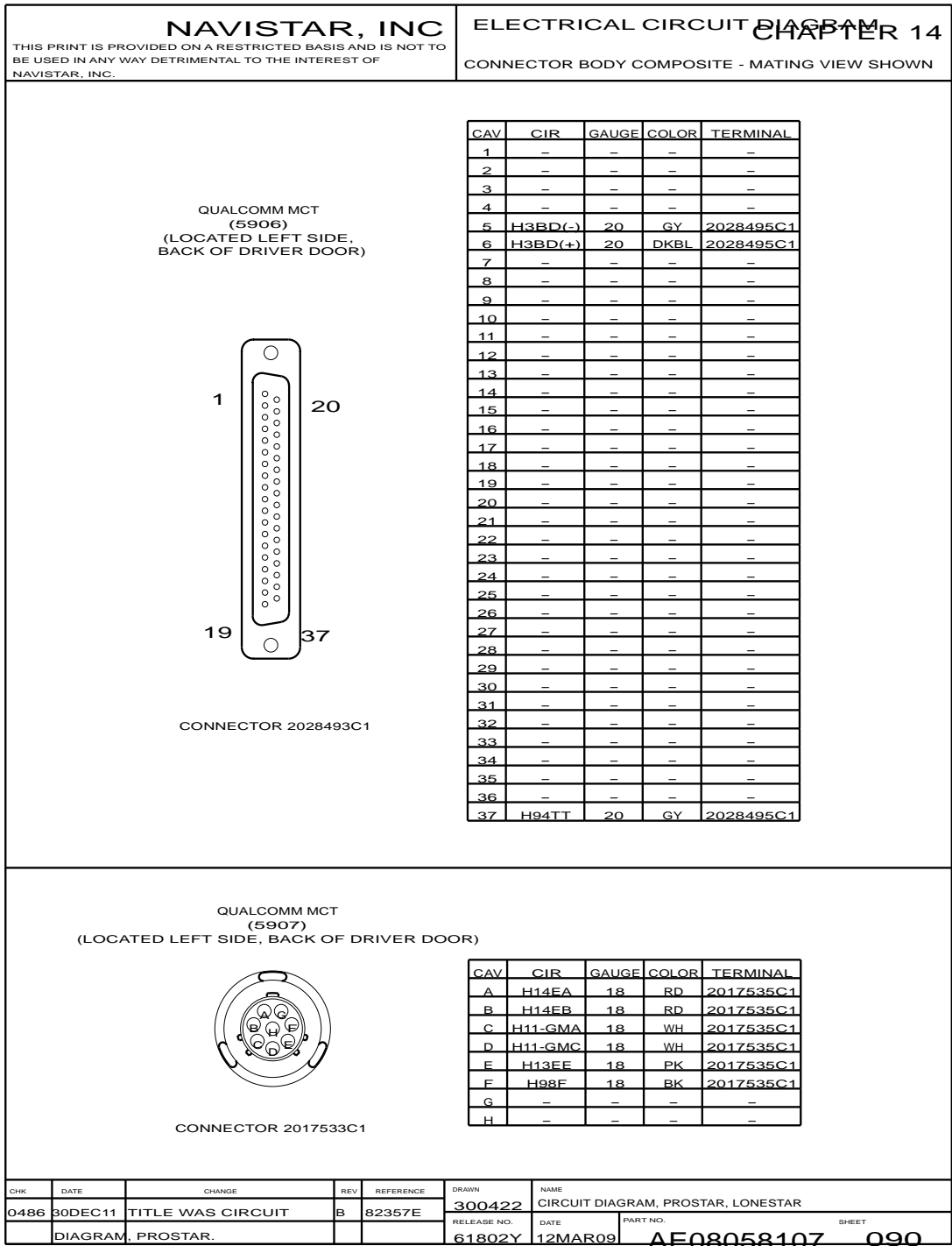


Figure 532 Connector Body Composite (5906), (5907)

14.153. CONNECTOR BODY COMPOSITE (5909), (5925), (5926), (5927), (5930M), (5940), P. 91

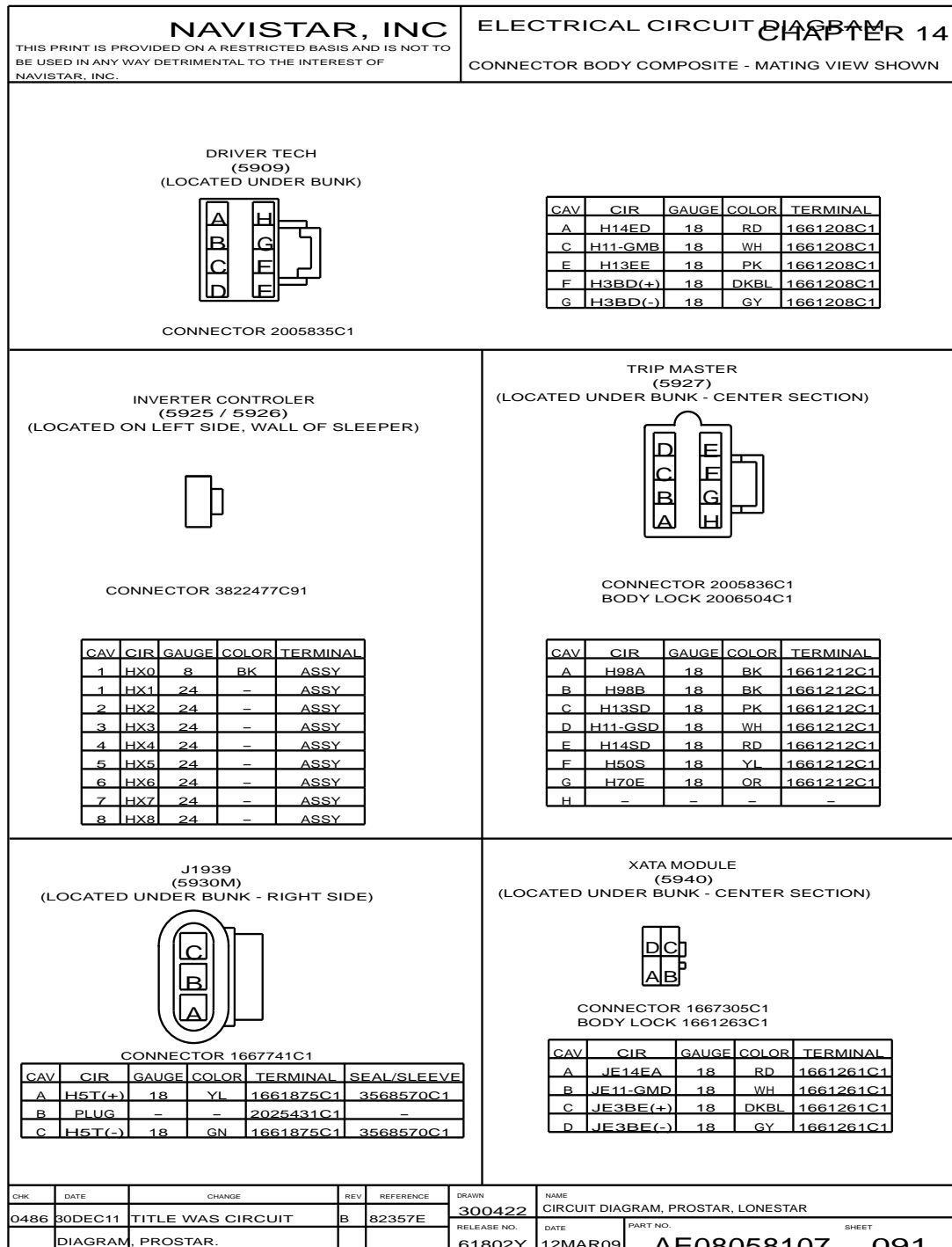


Figure 533 Connector Body Composite (5909), (5925), (5926), (5927), (5930M), (5940)

14.154. CONNECTOR BODY COMPOSITE (6000), P. 91A

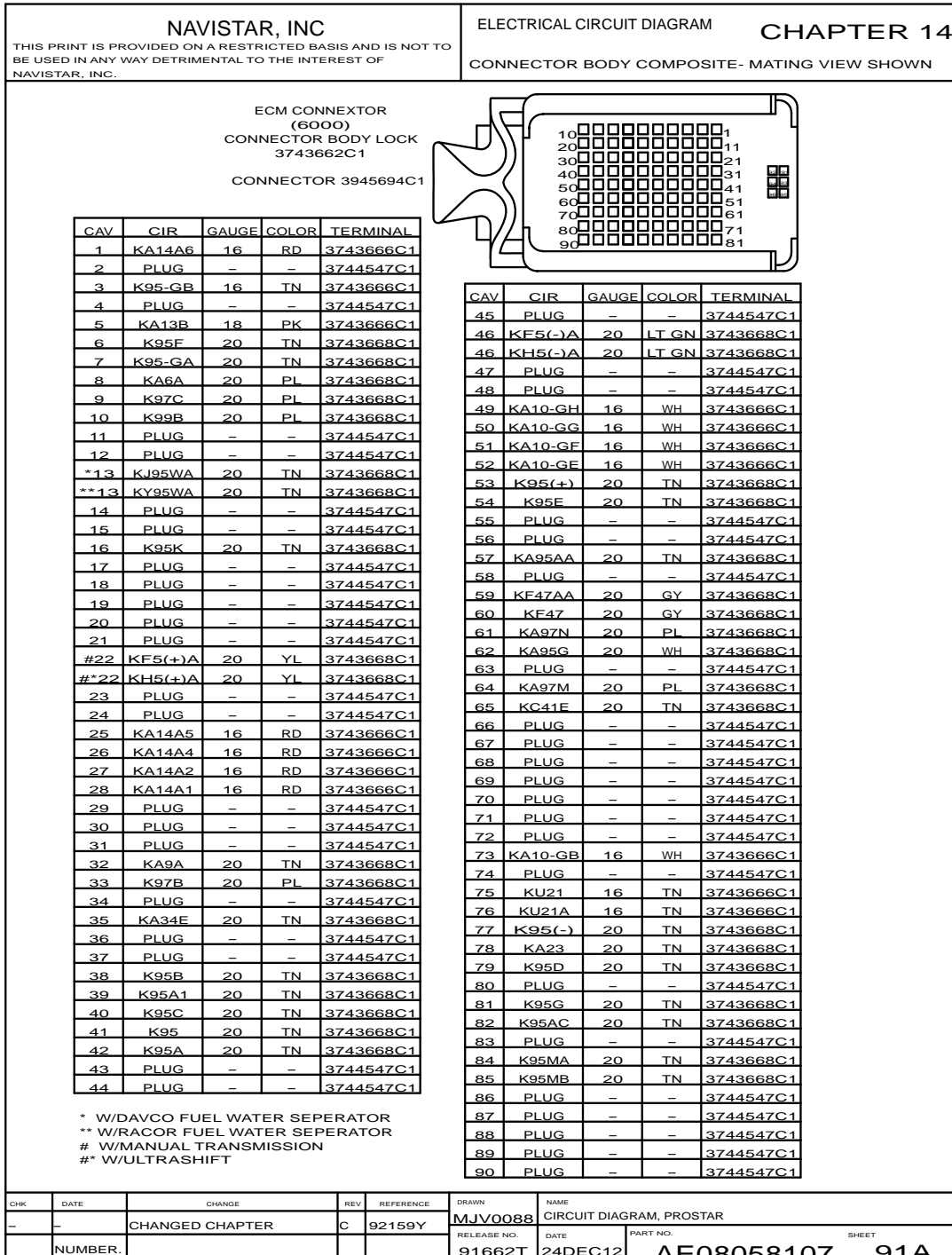


Figure 534 Connector Body Composite (6000)

14.155. CONNECTOR BODY COMPOSITE (6018), P. 92

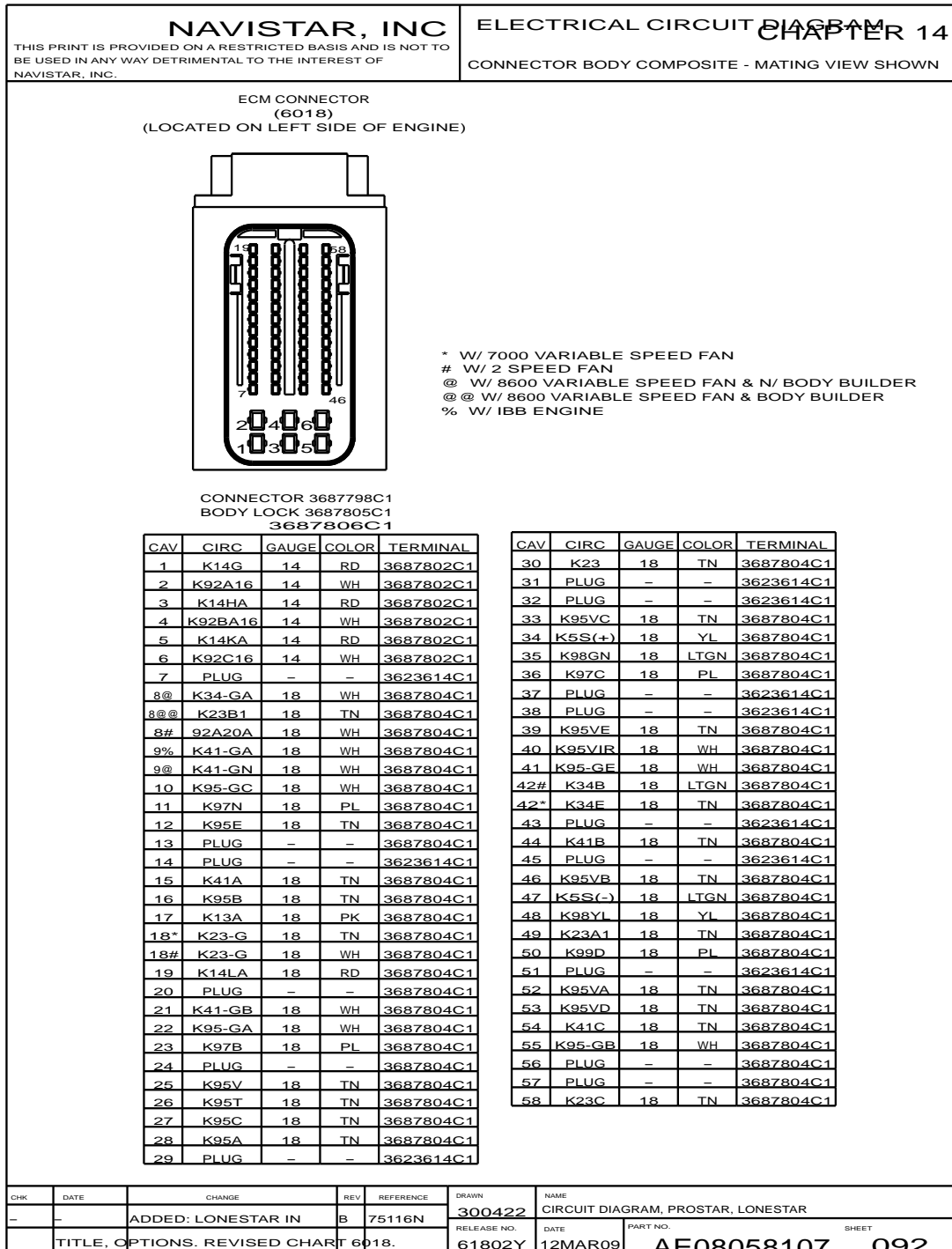


Figure 535 Connector Body Composite (6018)

14.156. CONNECTOR BODY COMPOSITE (6018), P. 92A

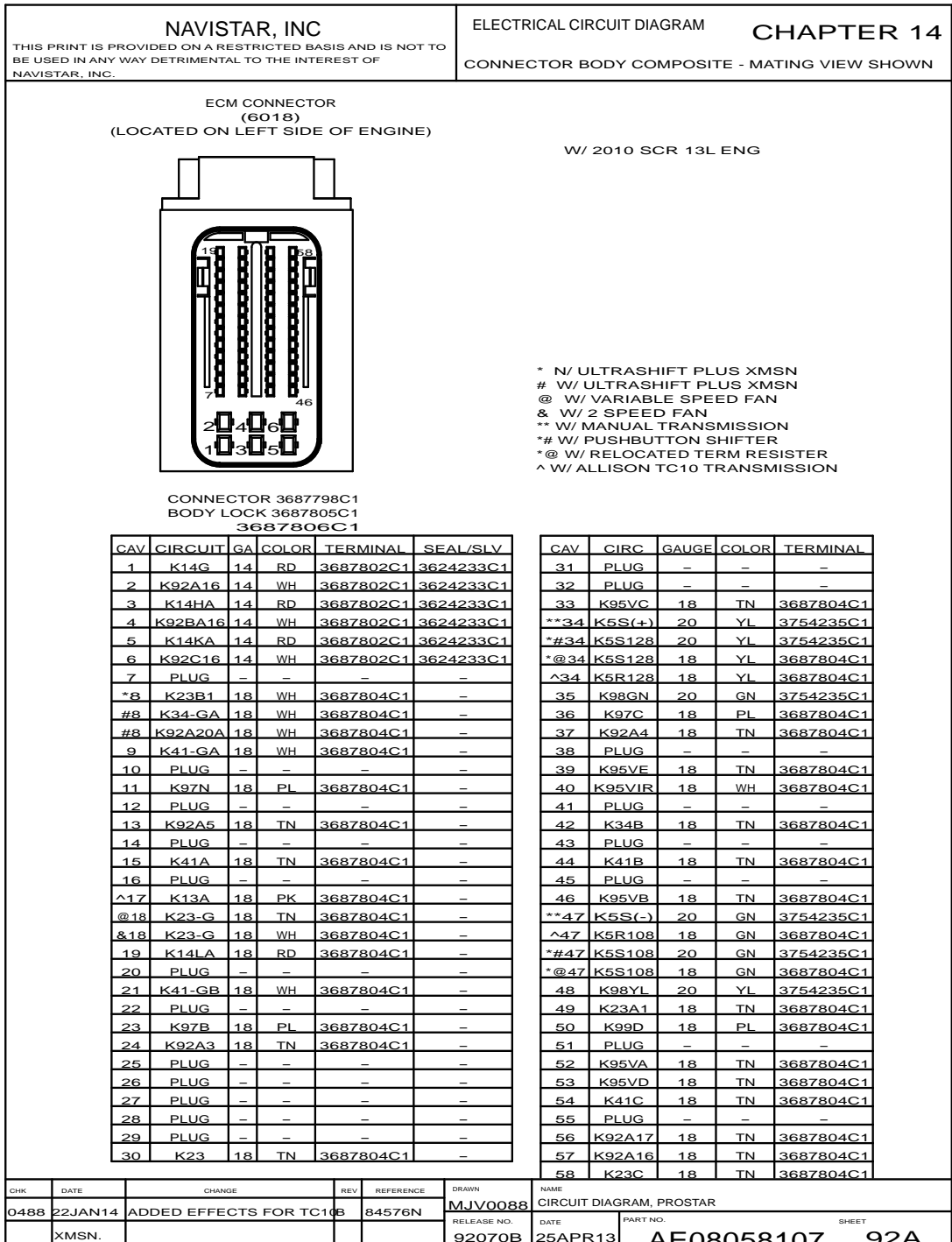


Figure 536 Connector Body Composite (6018)



14.157. CONNECTOR BODY COMPOSITE (6019), P. 93

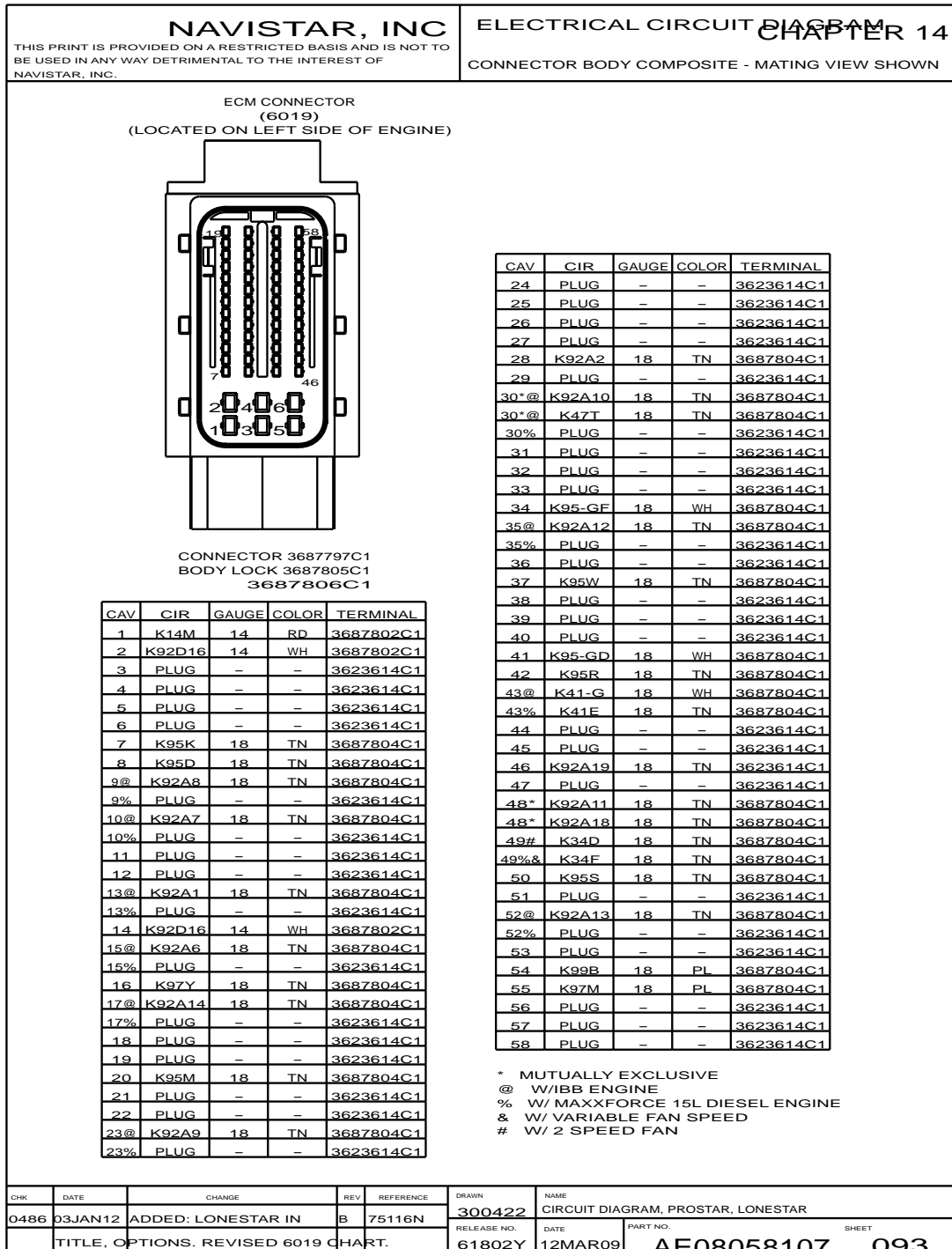


Figure 537 Connector Body Composite (6019)

14.158. CONNECTOR BODY COMPOSITE (6019), P. 93A

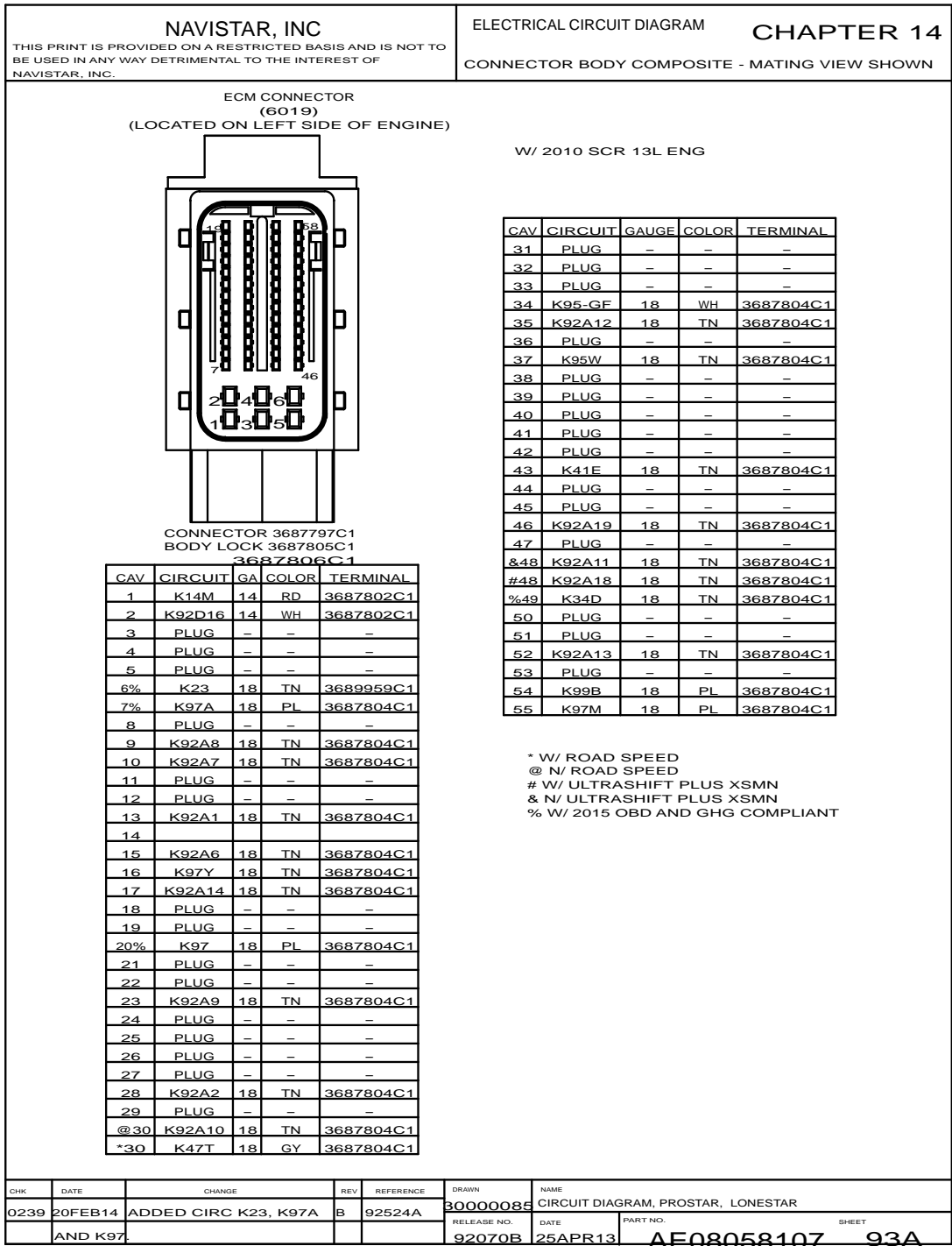


Figure 538 Connector Body Composite (6019)

14.159. CONNECTOR BODY COMPOSITE (6033), P. 94

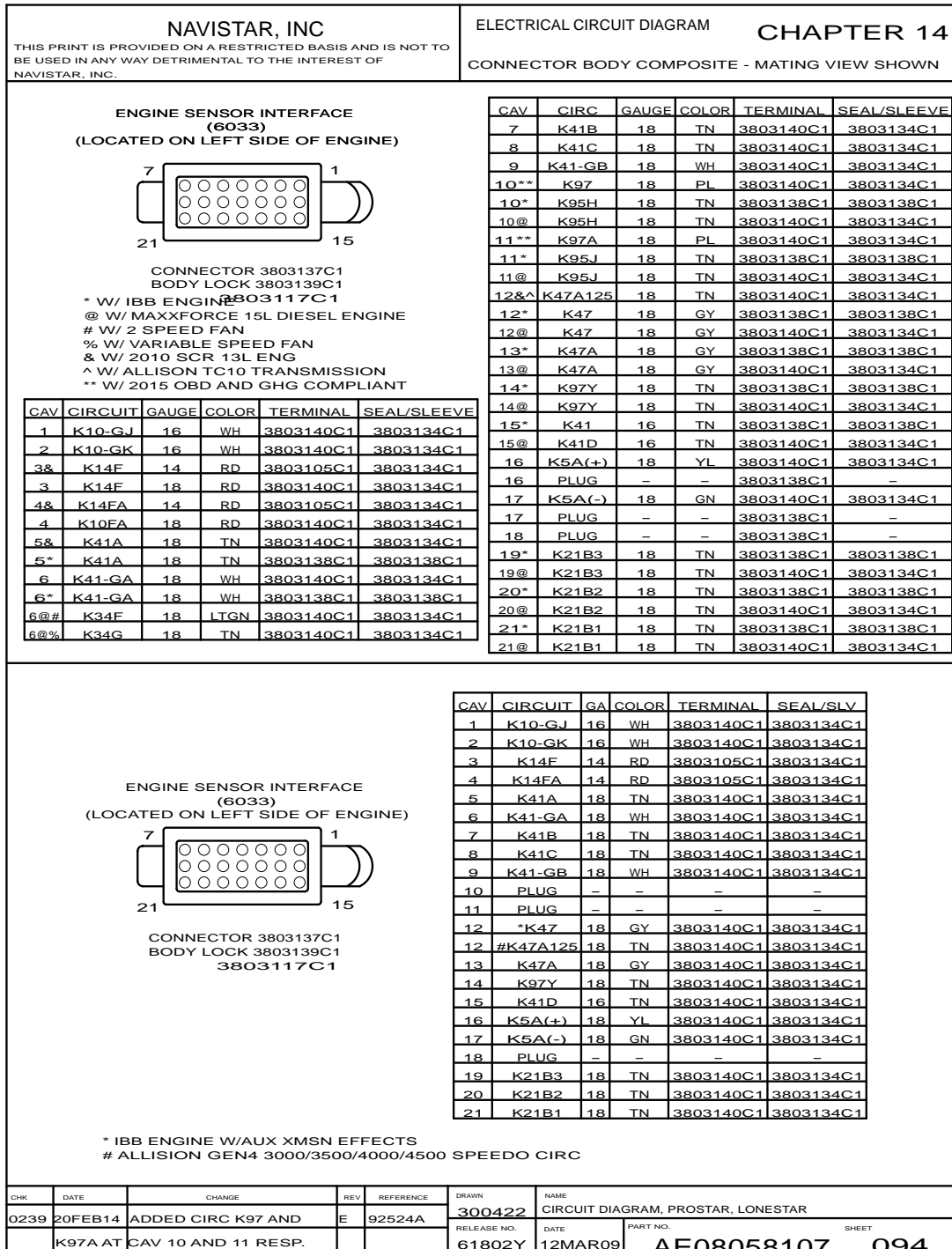


Figure 539 Connector Body Composite (6033)

14.160. CONNECTOR BODY COMPOSITE (6200), (6201), (6201A), (6201P), P. 94A

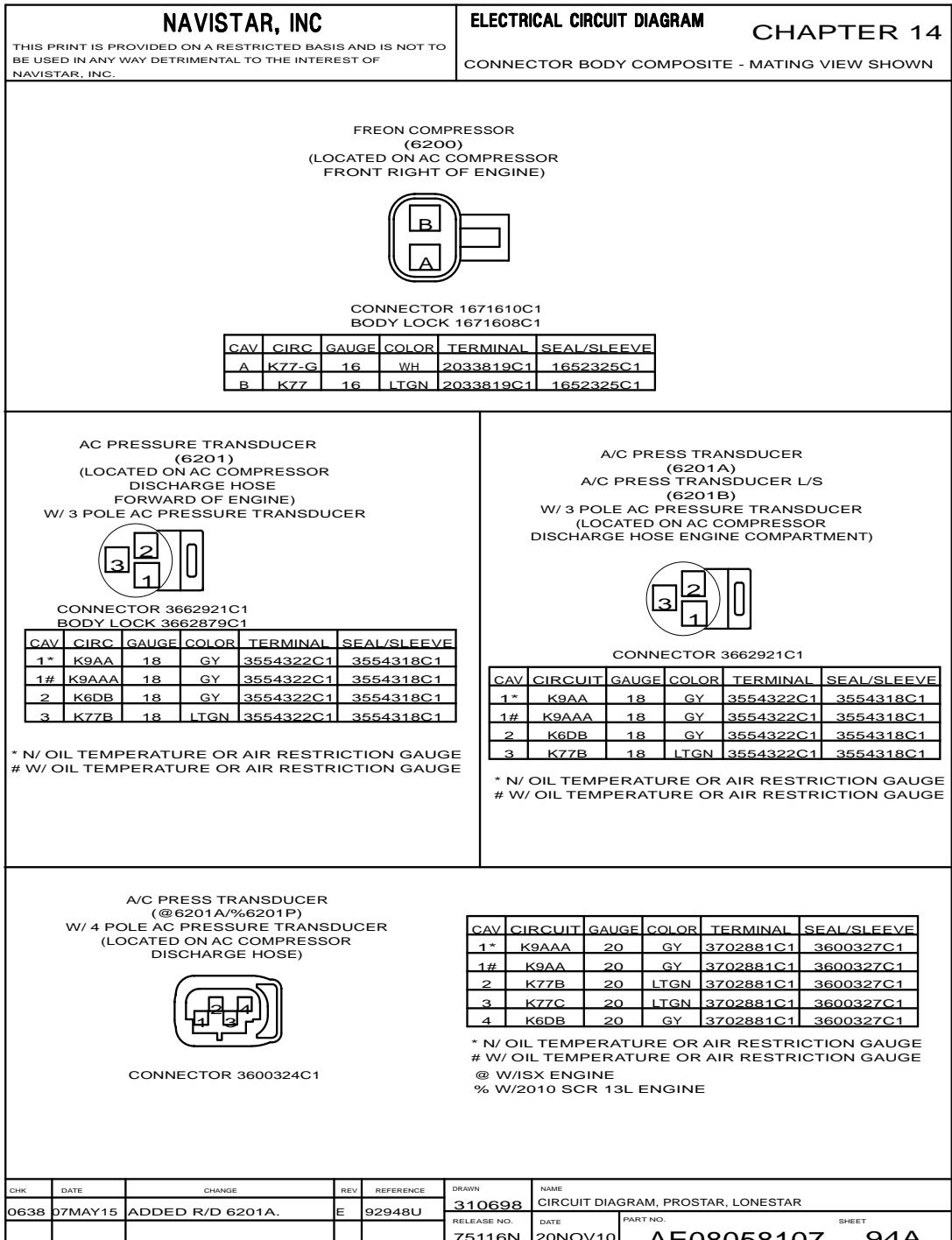


Figure 540 Connector Body Composite (6200), (6201), (6201A), (6201P)

14.161. CONNECTOR BODY COMPOSITE (6260A), (6260F), (6260FP), (6260H), (6300), P. 94B

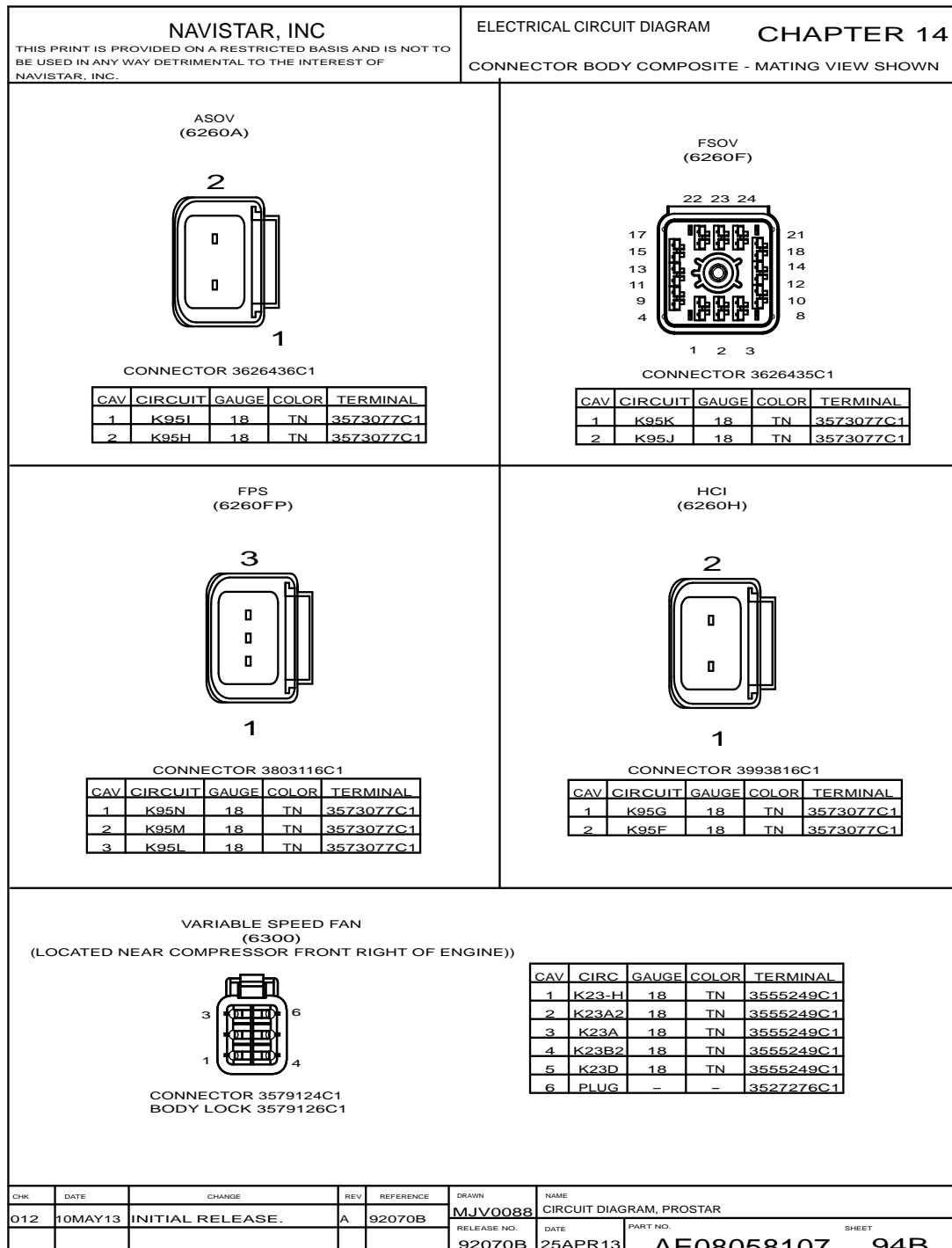


Figure 541 Connector Body Composite (6260A), (6260F), (6260FP), (6260H), (6300)

14.162. CONNECTOR BODY COMPOSITE (6260VH), (6260VL), (6260VM), (6260VN), (6316M), (6400), P. 95

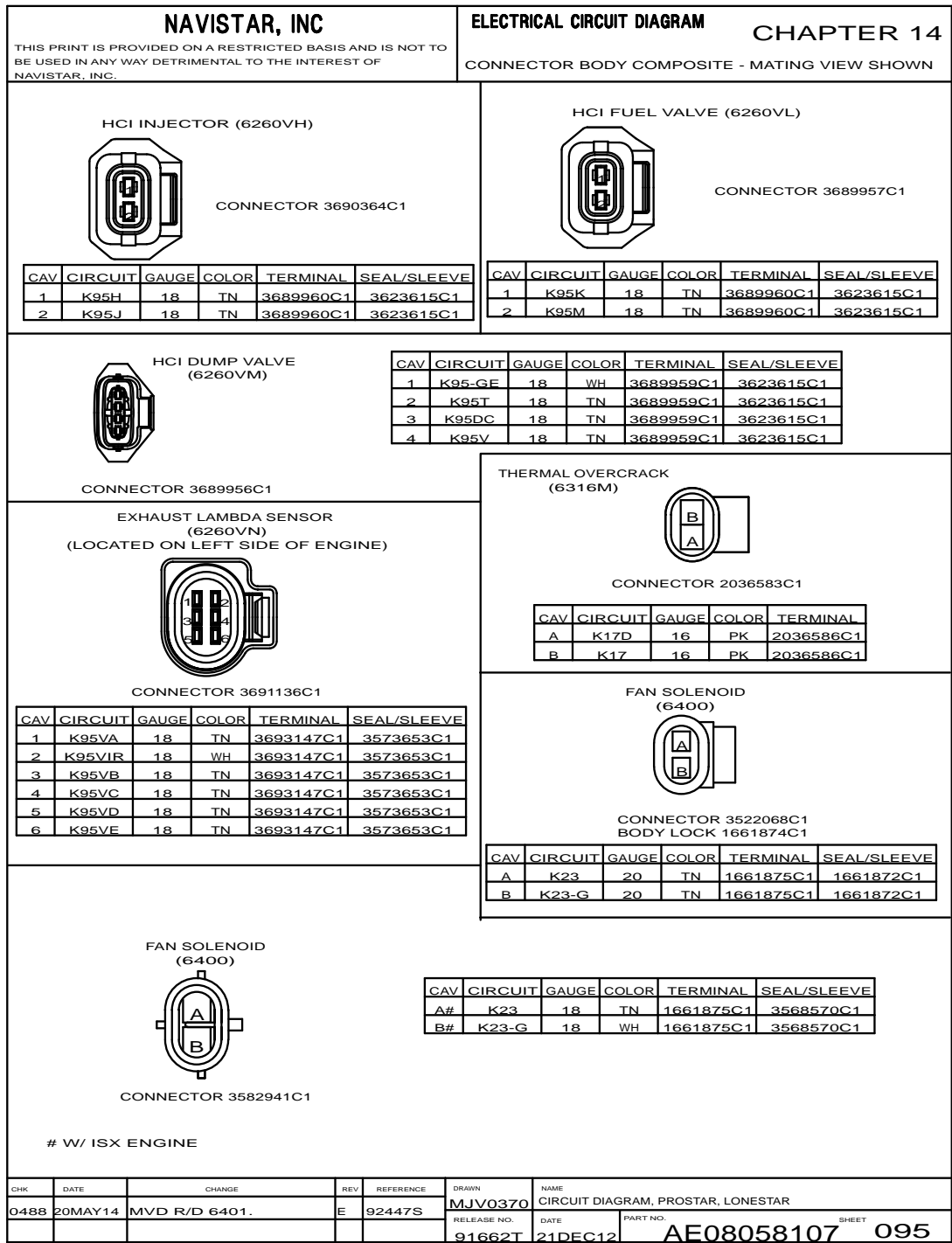


Figure 542 Connector Body Composite (6260VH), (6260VL), (6260VM), (6260VN), (6316M), (6400)

14.163. CONNECTOR BODY COMPOSITE (6400A), (6401), (6408), (6420), (6566), P. 95A

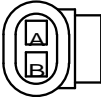
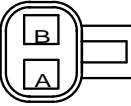
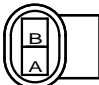
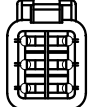
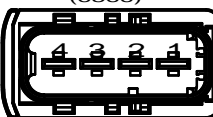
<b>NAVISTAR, INC</b>				<b>ELECTRICAL CIRCUIT DIAGRAM</b>		<b>CHAPTER 14</b>																																																								
THIS PRINT IS PROVIDED ON A RESTRICTED BASIS AND IS NOT TO BE USED IN ANY WAY DETRIMENTAL TO THE INTEREST OF NAVISTAR, INC.				CONNECTOR BODY COMPOSITE - MATING VIEW SHOWN																																																										
<div style="display: flex; justify-content: space-between;"> <div style="width: 30%;"> <p>FAN SOLENOID PROSTAR (6400A)</p>  <p>CONNECTOR 3522068C1 BODY LOCK 1661874C1</p> </div> <div style="width: 65%;"> <table border="1" style="width: 100%; border-collapse: collapse; font-size: x-small;"> <thead> <tr> <th>CAV</th> <th>CIRCUIT</th> <th>GAUGE</th> <th>COLOR</th> <th>TERMINAL</th> <th>SEAL/SLEEVE</th> </tr> </thead> <tbody> <tr> <td>A</td> <td>K23</td> <td>18</td> <td>TN</td> <td>1661875C1</td> <td>3568570C1</td> </tr> <tr> <td>B</td> <td>K23-G</td> <td>18</td> <td>WH</td> <td>1661875C1</td> <td>3568570C1</td> </tr> </tbody> </table> </div> </div>								CAV	CIRCUIT	GAUGE	COLOR	TERMINAL	SEAL/SLEEVE	A	K23	18	TN	1661875C1	3568570C1	B	K23-G	18	WH	1661875C1	3568570C1																																					
CAV	CIRCUIT	GAUGE	COLOR	TERMINAL	SEAL/SLEEVE																																																									
A	K23	18	TN	1661875C1	3568570C1																																																									
B	K23-G	18	WH	1661875C1	3568570C1																																																									
<div style="display: flex; justify-content: space-between;"> <div style="width: 30%;"> <p>COOLANT LEVEL SENSOR (6401)</p>  <p>CONNECTOR 1671610C1</p> </div> <div style="width: 65%;"> <table border="1" style="width: 100%; border-collapse: collapse; font-size: x-small;"> <thead> <tr> <th>CAV</th> <th>CIRCUIT</th> <th>GAUGE</th> <th>COLOR</th> <th>TERMINAL</th> <th>SEAL/SLEEVE</th> </tr> </thead> <tbody> <tr> <td>A#</td> <td>K34</td> <td>16</td> <td>TN</td> <td>2033819C1</td> <td>1652325C1</td> </tr> <tr> <td>B#</td> <td>K34A</td> <td>16</td> <td>TN</td> <td>2033819C1</td> <td>1652325C1</td> </tr> </tbody> </table> </div> </div>								CAV	CIRCUIT	GAUGE	COLOR	TERMINAL	SEAL/SLEEVE	A#	K34	16	TN	2033819C1	1652325C1	B#	K34A	16	TN	2033819C1	1652325C1																																					
CAV	CIRCUIT	GAUGE	COLOR	TERMINAL	SEAL/SLEEVE																																																									
A#	K34	16	TN	2033819C1	1652325C1																																																									
B#	K34A	16	TN	2033819C1	1652325C1																																																									
<div style="display: flex; justify-content: space-between;"> <div style="width: 30%;"> <p>LOW COOLANT SENDER L/S (6408)</p>  <p>CONNECTOR 3662425C1 BODY LOCK 3662518C1</p> </div> <div style="width: 65%;"> <table border="1" style="width: 100%; border-collapse: collapse; font-size: x-small;"> <thead> <tr> <th>CAV</th> <th>CIRCUIT</th> <th>GAUGE</th> <th>COLOR</th> <th>TERMINAL</th> <th>SEAL/SLEEVE</th> </tr> </thead> <tbody> <tr> <td>A</td> <td>K34D</td> <td>18</td> <td>TN</td> <td>3554322C1</td> <td>3554318C1</td> </tr> <tr> <td>B</td> <td>K34B</td> <td>18</td> <td>TN</td> <td>3554322C1</td> <td>3554318C1</td> </tr> </tbody> </table> </div> </div>								CAV	CIRCUIT	GAUGE	COLOR	TERMINAL	SEAL/SLEEVE	A	K34D	18	TN	3554322C1	3554318C1	B	K34B	18	TN	3554322C1	3554318C1																																					
CAV	CIRCUIT	GAUGE	COLOR	TERMINAL	SEAL/SLEEVE																																																									
A	K34D	18	TN	3554322C1	3554318C1																																																									
B	K34B	18	TN	3554322C1	3554318C1																																																									
<div style="display: flex; justify-content: space-between;"> <div style="width: 30%;"> <p>VARIABLE SPEED FAN (6420)</p>  <p>CONNECTOR 3579124C1 BODY LOCK 3579126C1</p> </div> <div style="width: 65%;"> <table border="1" style="width: 100%; border-collapse: collapse; font-size: x-small;"> <thead> <tr> <th>CAV</th> <th>CIRCUIT</th> <th>GAUGE</th> <th>COLOR</th> <th>TERMINAL</th> </tr> </thead> <tbody> <tr><td>1</td><td>K23-G</td><td>18</td><td>TN</td><td>3518963C1</td></tr> <tr><td>1</td><td>K23-G</td><td>18</td><td>TN</td><td>3518963C1</td></tr> <tr><td>2</td><td>K23A1</td><td>18</td><td>TN</td><td>3518963C1</td></tr> <tr><td>2</td><td>K23A1</td><td>18</td><td>TN</td><td>3518963C1</td></tr> <tr><td>3</td><td>KB23</td><td>18</td><td>TN</td><td>3518963C1</td></tr> <tr><td>3</td><td>K23</td><td>18</td><td>TN</td><td>3518963C1</td></tr> <tr><td>4</td><td>K23B1</td><td>18</td><td>WH</td><td>3518963C1</td></tr> <tr><td>4</td><td>K23B1</td><td>18</td><td>WH</td><td>3518963C1</td></tr> <tr><td>5</td><td>K23C</td><td>18</td><td>TN</td><td>3518963C1</td></tr> <tr><td>5</td><td>K23C</td><td>18</td><td>TN</td><td>3518963C1</td></tr> </tbody> </table> </div> </div>								CAV	CIRCUIT	GAUGE	COLOR	TERMINAL	1	K23-G	18	TN	3518963C1	1	K23-G	18	TN	3518963C1	2	K23A1	18	TN	3518963C1	2	K23A1	18	TN	3518963C1	3	KB23	18	TN	3518963C1	3	K23	18	TN	3518963C1	4	K23B1	18	WH	3518963C1	4	K23B1	18	WH	3518963C1	5	K23C	18	TN	3518963C1	5	K23C	18	TN	3518963C1
CAV	CIRCUIT	GAUGE	COLOR	TERMINAL																																																										
1	K23-G	18	TN	3518963C1																																																										
1	K23-G	18	TN	3518963C1																																																										
2	K23A1	18	TN	3518963C1																																																										
2	K23A1	18	TN	3518963C1																																																										
3	KB23	18	TN	3518963C1																																																										
3	K23	18	TN	3518963C1																																																										
4	K23B1	18	WH	3518963C1																																																										
4	K23B1	18	WH	3518963C1																																																										
5	K23C	18	TN	3518963C1																																																										
5	K23C	18	TN	3518963C1																																																										
<div style="display: flex; justify-content: space-between;"> <div style="width: 30%;"> <p>PDM 4WAY (6566)</p>  <p>CONNECTOR 6113338C1</p> </div> <div style="width: 65%;"> <table border="1" style="width: 100%; border-collapse: collapse; font-size: x-small;"> <thead> <tr> <th>CAV</th> <th>CIRCUIT</th> <th>GAUGE</th> <th>COLOR</th> <th>TERMINAL</th> <th>SEAL/SLEEVE</th> </tr> </thead> <tbody> <tr> <td>1</td> <td>K14J</td> <td>10</td> <td>RD</td> <td>3752553C1</td> <td>6113347C1</td> </tr> <tr> <td>3</td> <td>K14N</td> <td>10</td> <td>RD</td> <td>3752553C1</td> <td>6113347C1</td> </tr> </tbody> </table> </div> </div>								CAV	CIRCUIT	GAUGE	COLOR	TERMINAL	SEAL/SLEEVE	1	K14J	10	RD	3752553C1	6113347C1	3	K14N	10	RD	3752553C1	6113347C1																																					
CAV	CIRCUIT	GAUGE	COLOR	TERMINAL	SEAL/SLEEVE																																																									
1	K14J	10	RD	3752553C1	6113347C1																																																									
3	K14N	10	RD	3752553C1	6113347C1																																																									
CHK	DATE	CHANGE	REV	REFERENCE	DRAWN	NAME																																																								
-	-	ADDED R/D 6400A &	D	92447S	-	CIRCUIT DIAGRAM, PROSTAR, LONESTAR																																																								
6566.					RELEASE NO.	DATE	PART NO. SHEET																																																							
					-	-	AE08058107 95A																																																							

Figure 543 Connector Body Composite (6400A), (6401), (6408), (6420), (6566)

14.164. CONNECTOR BODY COMPOSITE (6567), (6568), (6569), P. 95B

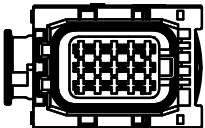

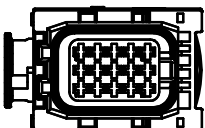
<b>NAVISTAR, INC</b>				<b>ELECTRICAL CIRCUIT DIAGRAM</b>		<b>CHAPTER 14</b>																																											
THIS PRINT IS PROVIDED ON A RESTRICTED BASIS AND IS NOT TO BE USED IN ANY WAY DETRIMENTAL TO THE INTEREST OF NAVISTAR, INC.				CONNECTOR BODY COMPOSITE - MATING VIEW SHOWN																																													
<p>PDM 15WAY (6567)</p>  <p>CONNECTOR 6113341C1</p> <table border="1" style="width:100%; border-collapse: collapse; font-size: x-small;"> <thead> <tr> <th>CAV</th> <th>CIRCUIT</th> <th>GAUGE</th> <th>COLOR</th> <th>TERMINAL</th> <th>SEAL/SLEEVE</th> </tr> </thead> <tbody> <tr><td>4</td><td>K95AK2</td><td>12</td><td>TN</td><td>3830799C1</td><td>3575783C1</td></tr> <tr><td>7</td><td>K14A</td><td>12</td><td>RD</td><td>3830799C1</td><td>3575783C1</td></tr> <tr><td>7</td><td>K92A170</td><td>14</td><td>RD</td><td>3830798C1</td><td>3575783C1</td></tr> <tr><td>7</td><td>K92#110</td><td>12</td><td>RD</td><td>3830799C1</td><td>3575783C1</td></tr> <tr><td>10</td><td>K14HC</td><td>14</td><td>RD</td><td>3830798C1</td><td>3509903C1</td></tr> <tr><td>13</td><td>K95AK1</td><td>12</td><td>TN</td><td>3830799C1</td><td>3575783C1</td></tr> </tbody> </table>								CAV	CIRCUIT	GAUGE	COLOR	TERMINAL	SEAL/SLEEVE	4	K95AK2	12	TN	3830799C1	3575783C1	7	K14A	12	RD	3830799C1	3575783C1	7	K92A170	14	RD	3830798C1	3575783C1	7	K92#110	12	RD	3830799C1	3575783C1	10	K14HC	14	RD	3830798C1	3509903C1	13	K95AK1	12	TN	3830799C1	3575783C1
CAV	CIRCUIT	GAUGE	COLOR	TERMINAL	SEAL/SLEEVE																																												
4	K95AK2	12	TN	3830799C1	3575783C1																																												
7	K14A	12	RD	3830799C1	3575783C1																																												
7	K92A170	14	RD	3830798C1	3575783C1																																												
7	K92#110	12	RD	3830799C1	3575783C1																																												
10	K14HC	14	RD	3830798C1	3509903C1																																												
13	K95AK1	12	TN	3830799C1	3575783C1																																												
<p>PDM 4WAY (6568)</p>  <p>CONNECTOR 6113338C1</p> <table border="1" style="width:100%; border-collapse: collapse; font-size: x-small;"> <thead> <tr> <th>CAV</th> <th>CIRCUIT</th> <th>GAUGE</th> <th>COLOR</th> <th>TERMINAL</th> <th>SEAL/SLEEVE</th> </tr> </thead> <tbody> <tr><td>1</td><td>K14J</td><td>10</td><td>RD</td><td>3752553C1</td><td>6113347C1</td></tr> <tr><td>2</td><td>-</td><td>-</td><td>-</td><td>-</td><td>-</td></tr> <tr><td>3</td><td>K14N</td><td>10</td><td>RD</td><td>3752553C1</td><td>6113347C1</td></tr> <tr><td>4</td><td>-</td><td>-</td><td>-</td><td>-</td><td>-</td></tr> </tbody> </table>								CAV	CIRCUIT	GAUGE	COLOR	TERMINAL	SEAL/SLEEVE	1	K14J	10	RD	3752553C1	6113347C1	2	-	-	-	-	-	3	K14N	10	RD	3752553C1	6113347C1	4	-	-	-	-	-												
CAV	CIRCUIT	GAUGE	COLOR	TERMINAL	SEAL/SLEEVE																																												
1	K14J	10	RD	3752553C1	6113347C1																																												
2	-	-	-	-	-																																												
3	K14N	10	RD	3752553C1	6113347C1																																												
4	-	-	-	-	-																																												
<p>PDM 15WAY (6569)</p>  <p>CONNECTOR 6113341C1</p> <table border="1" style="width:100%; border-collapse: collapse; font-size: x-small;"> <thead> <tr> <th>CAV</th> <th>CIRCUIT</th> <th>GAUGE</th> <th>COLOR</th> <th>TERMINAL</th> <th>SEAL/SLEEVE</th> </tr> </thead> <tbody> <tr><td>4</td><td>K95AK2</td><td>12</td><td>RD</td><td>3830799C1</td><td>3575783C1</td></tr> <tr><td>7</td><td>K14A</td><td>12</td><td>RD</td><td>3830799C1</td><td>3575783C1</td></tr> <tr><td>10</td><td>-</td><td>-</td><td>-</td><td>-</td><td>-</td></tr> <tr><td>13</td><td>K95AK1</td><td>12</td><td>TN</td><td>3830799C1</td><td>3575783C1</td></tr> </tbody> </table>								CAV	CIRCUIT	GAUGE	COLOR	TERMINAL	SEAL/SLEEVE	4	K95AK2	12	RD	3830799C1	3575783C1	7	K14A	12	RD	3830799C1	3575783C1	10	-	-	-	-	-	13	K95AK1	12	TN	3830799C1	3575783C1												
CAV	CIRCUIT	GAUGE	COLOR	TERMINAL	SEAL/SLEEVE																																												
4	K95AK2	12	RD	3830799C1	3575783C1																																												
7	K14A	12	RD	3830799C1	3575783C1																																												
10	-	-	-	-	-																																												
13	K95AK1	12	TN	3830799C1	3575783C1																																												
CHK	DATE	CHANGE	REV	REFERENCE	DRAWN	NAME																																											
-	-	ADDED R/D 6569.	B	92715R	MJV0370	CIRCUIT DIAGRAM, PROSTAR, LONESTAR																																											
				RELEASE NO.	DATE	PART NO.	SHEET																																										
				92447S	14MAR14	AE08058107	95B																																										

Figure 544 Connector Body Composite (6567), (6568), (6569)



14.165. CONNECTOR BODY COMPOSITE (6702), (6703), (6703A), (6704), P. 96

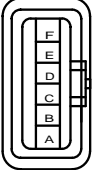
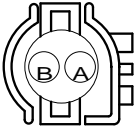
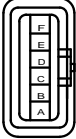
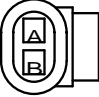
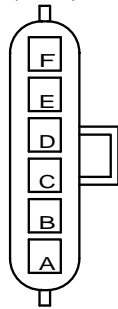
<b>NAVISTAR, INC</b>				<b>ELECTRICAL CIRCUIT DIAGRAM</b>		<b>CHAPTER 14</b>																																																																																		
THIS PRINT IS PROVIDED ON A RESTRICTED BASIS AND IS NOT TO BE USED IN ANY WAY DETRIMENTAL TO THE INTEREST OF NAVISTAR, INC.				CONNECTOR BODY COMPOSITE - MATING VIEW SHOWN																																																																																				
0V REFERENCE SPLICE (6702) (LOCATED UPPER REAR OF ENGINE)				<table border="1" style="width:100%; border-collapse: collapse; font-size: x-small;"> <thead> <tr> <th>CAV</th><th>CIR</th><th>GAUGE</th><th>COLOR</th><th>TERMINAL</th><th>SEAL/SLEEVE</th></tr> </thead> <tbody> <tr><td>A</td><td>K9AA</td><td>16</td><td>GY</td><td>3535303C1</td><td>3535424C1</td></tr> <tr><td>A%</td><td>K9AAA</td><td>16</td><td>GY</td><td>3535303C1</td><td>3535424C1</td></tr> <tr><td>B</td><td>K9AAA</td><td>18</td><td>GY</td><td>3535303C1</td><td>3535424C1</td></tr> <tr><td>B%</td><td>K9AA</td><td>18</td><td>GY</td><td>3535303C1</td><td>3535424C1</td></tr> <tr><td>C</td><td>K9AAD</td><td>18</td><td>GY</td><td>3535303C1</td><td>3535424C1</td></tr> <tr><td>D</td><td>K9AAB</td><td>18</td><td>GY</td><td>3535303C1</td><td>3535424C1</td></tr> <tr><td>D%</td><td>K9AAB</td><td>18</td><td>GY</td><td>3535303C1</td><td>3535424C1</td></tr> <tr><td>E</td><td>PLUG</td><td>-</td><td>-</td><td>3535425C1</td><td>-</td></tr> <tr><td>E*</td><td>K9AA</td><td>18</td><td>GY</td><td>3535303C1</td><td>3535424C1</td></tr> <tr><td>F</td><td>PLUG</td><td>-</td><td>-</td><td>3535425C1</td><td>-</td></tr> </tbody> </table>				CAV	CIR	GAUGE	COLOR	TERMINAL	SEAL/SLEEVE	A	K9AA	16	GY	3535303C1	3535424C1	A%	K9AAA	16	GY	3535303C1	3535424C1	B	K9AAA	18	GY	3535303C1	3535424C1	B%	K9AA	18	GY	3535303C1	3535424C1	C	K9AAD	18	GY	3535303C1	3535424C1	D	K9AAB	18	GY	3535303C1	3535424C1	D%	K9AAB	18	GY	3535303C1	3535424C1	E	PLUG	-	-	3535425C1	-	E*	K9AA	18	GY	3535303C1	3535424C1	F	PLUG	-	-	3535425C1	-															
CAV	CIR	GAUGE	COLOR	TERMINAL	SEAL/SLEEVE																																																																																			
A	K9AA	16	GY	3535303C1	3535424C1																																																																																			
A%	K9AAA	16	GY	3535303C1	3535424C1																																																																																			
B	K9AAA	18	GY	3535303C1	3535424C1																																																																																			
B%	K9AA	18	GY	3535303C1	3535424C1																																																																																			
C	K9AAD	18	GY	3535303C1	3535424C1																																																																																			
D	K9AAB	18	GY	3535303C1	3535424C1																																																																																			
D%	K9AAB	18	GY	3535303C1	3535424C1																																																																																			
E	PLUG	-	-	3535425C1	-																																																																																			
E*	K9AA	18	GY	3535303C1	3535424C1																																																																																			
F	PLUG	-	-	3535425C1	-																																																																																			
				* W/ 2010 SCR 13L ENGINE % W/EURO IV ISX ENGINE																																																																																				
CONNECTOR 3543729C1 BODY LOCK 3543731C1																																																																																								
INTAKE AIR TEMPERATURE (6703) (LOCATED ON AIR FILTER HOUSING)				ZERO VOLT REFERENCE (6703)																																																																																				
																																																																																								
CONNECTOR 1689462C1 BODY LOCK 1689463C1				CONNRCTOR 3543729C1 BODY LOCK 3543731C1																																																																																				
<table border="1" style="width:100%; border-collapse: collapse; font-size: x-small;"> <thead> <tr> <th>CAV</th><th>CIRCUIT</th><th>GAUGE</th><th>COLOR</th><th>TERMINAL</th></tr> </thead> <tbody> <tr><td>A</td><td>K41</td><td>16</td><td>TN</td><td>1689464C1</td></tr> <tr><td>B</td><td>K41-GC</td><td>16</td><td>WH</td><td>1689464C1</td></tr> </tbody> </table>				CAV	CIRCUIT	GAUGE	COLOR	TERMINAL	A	K41	16	TN	1689464C1	B	K41-GC	16	WH	1689464C1	<table border="1" style="width:100%; border-collapse: collapse; font-size: x-small;"> <thead> <tr> <th>CAV</th><th>CIRCUIT</th><th>GAUGE</th><th>COLOR</th><th>TERMINAL</th><th>SEAL/SLEEVE</th></tr> </thead> <tbody> <tr><td>A</td><td>K95G</td><td>20</td><td>WH</td><td>3535302C1</td><td>3535423C1</td></tr> <tr><td>A*</td><td>K9</td><td>20</td><td>GY</td><td>3535302C1</td><td>3535423C1</td></tr> <tr><td>B</td><td>K41D</td><td>20</td><td>WH</td><td>3535302C1</td><td>3535424C1</td></tr> <tr><td>B*</td><td>K41D</td><td>18</td><td>TN</td><td>3535303C1</td><td>3535424C1</td></tr> <tr><td>C</td><td>K95-GF</td><td>20</td><td>WH</td><td>3535302C1</td><td>3535424C1</td></tr> <tr><td>C</td><td>K95-GG</td><td>18</td><td>WH</td><td>3535303C1</td><td>3535424C1</td></tr> <tr><td>C*</td><td>K9B</td><td>18</td><td>GY</td><td>3535303C1</td><td>3535424C1</td></tr> <tr><td>D</td><td>K44G</td><td>18</td><td>GY</td><td>3535303C1</td><td>3535424C1</td></tr> <tr><td>E</td><td>PLUG</td><td>-</td><td>-</td><td>-</td><td>-</td></tr> <tr><td>F</td><td>PLUG</td><td>-</td><td>-</td><td>-</td><td>-</td></tr> </tbody> </table>				CAV	CIRCUIT	GAUGE	COLOR	TERMINAL	SEAL/SLEEVE	A	K95G	20	WH	3535302C1	3535423C1	A*	K9	20	GY	3535302C1	3535423C1	B	K41D	20	WH	3535302C1	3535424C1	B*	K41D	18	TN	3535303C1	3535424C1	C	K95-GF	20	WH	3535302C1	3535424C1	C	K95-GG	18	WH	3535303C1	3535424C1	C*	K9B	18	GY	3535303C1	3535424C1	D	K44G	18	GY	3535303C1	3535424C1	E	PLUG	-	-	-	-	F	PLUG	-	-	-	-
CAV	CIRCUIT	GAUGE	COLOR	TERMINAL																																																																																				
A	K41	16	TN	1689464C1																																																																																				
B	K41-GC	16	WH	1689464C1																																																																																				
CAV	CIRCUIT	GAUGE	COLOR	TERMINAL	SEAL/SLEEVE																																																																																			
A	K95G	20	WH	3535302C1	3535423C1																																																																																			
A*	K9	20	GY	3535302C1	3535423C1																																																																																			
B	K41D	20	WH	3535302C1	3535424C1																																																																																			
B*	K41D	18	TN	3535303C1	3535424C1																																																																																			
C	K95-GF	20	WH	3535302C1	3535424C1																																																																																			
C	K95-GG	18	WH	3535303C1	3535424C1																																																																																			
C*	K9B	18	GY	3535303C1	3535424C1																																																																																			
D	K44G	18	GY	3535303C1	3535424C1																																																																																			
E	PLUG	-	-	-	-																																																																																			
F	PLUG	-	-	-	-																																																																																			
AIR FILTER RESTRICTION GAUGE (6703A)				W/ ISX 2013 ENGINE * W/EURO IV ISX ENGINE																																																																																				
																																																																																								
CONNRCTOR 3522068C1 BODY LOCK 1661874C1				CONNRCTOR 3551896C1 BODY LOCK 3551897C1																																																																																				
<table border="1" style="width:100%; border-collapse: collapse; font-size: x-small;"> <thead> <tr> <th>CAV</th><th>CIR</th><th>GAUGE</th><th>COLOR</th><th>TERMINAL</th><th>SEAL/SLV</th></tr> </thead> <tbody> <tr><td>A</td><td>K92B16</td><td>14</td><td>WH</td><td>2033816C1</td><td>1652325C1</td></tr> <tr><td>B</td><td>K92A16</td><td>14</td><td>WH</td><td>2033816C1</td><td>1652325C1</td></tr> <tr><td>C</td><td>K10WH1</td><td>12</td><td>WH</td><td>2033816C1</td><td>0589390C1</td></tr> <tr><td>D</td><td>K77-G</td><td>16</td><td>WH</td><td>2033819C1</td><td>1652325C1</td></tr> <tr><td>E</td><td>K10WH5</td><td>14</td><td>WH</td><td>2033816C1</td><td>1652325C1</td></tr> <tr><td>F</td><td>K10-GL</td><td>12</td><td>WH</td><td>2033816C1</td><td>0589390C1</td></tr> </tbody> </table>				CAV	CIR	GAUGE	COLOR	TERMINAL	SEAL/SLV	A	K92B16	14	WH	2033816C1	1652325C1	B	K92A16	14	WH	2033816C1	1652325C1	C	K10WH1	12	WH	2033816C1	0589390C1	D	K77-G	16	WH	2033819C1	1652325C1	E	K10WH5	14	WH	2033816C1	1652325C1	F	K10-GL	12	WH	2033816C1	0589390C1																																											
CAV	CIR	GAUGE	COLOR	TERMINAL	SEAL/SLV																																																																																			
A	K92B16	14	WH	2033816C1	1652325C1																																																																																			
B	K92A16	14	WH	2033816C1	1652325C1																																																																																			
C	K10WH1	12	WH	2033816C1	0589390C1																																																																																			
D	K77-G	16	WH	2033819C1	1652325C1																																																																																			
E	K10WH5	14	WH	2033816C1	1652325C1																																																																																			
F	K10-GL	12	WH	2033816C1	0589390C1																																																																																			
CHK	DATE	CHANGE	REV	REFERENCE	DRAWN	NAME	SHEET																																																																																	
0488	19MAY14	ADDED R/D 6704.	E	92447S	MJV0370	CIRCUIT DIAGRAM, PROSTAR, LONESTAR	096																																																																																	
					RELEASE NO.	DATE	PART NO.																																																																																	
					91662T	21DEC12	AE08058107																																																																																	

Figure 545 Connector Body Composite (6702), (6703), (6703A), (6704)

14.166. CONNECTOR BODY COMPOSITE (6703A), (6706), P. 96A

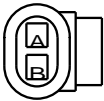
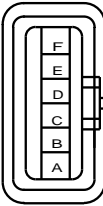
<b>NAVISTAR, INC</b> <small>THIS PRINT IS PROVIDED ON A RESTRICTED BASIS AND IS NOT TO BE USED IN ANY WAY DETRIMENTAL TO THE INTEREST OF NAVISTAR, INC.</small>				ELECTRICAL CIRCUIT DIAGRAM <b>CHAPTER 14</b> CONNECTOR BODY COMPOSITE - MATING VIEW SHOWN																																											
<p>AIR RESTRICTION GAUGE (6703A)</p>  <p>CONNRCUTOR 3522068C1 BODY LOCK 1661874C1</p> <table border="1" style="margin: 10px auto; border-collapse: collapse;"> <thead> <tr> <th>CAV</th> <th>CIRCUIT</th> <th>GAUGE</th> <th>COLOR</th> <th>TERMINAL</th> <th>SEAL/SLEEVE</th> </tr> </thead> <tbody> <tr> <td>A*</td> <td>K9AAB</td> <td>18</td> <td>GY</td> <td>1661875C1</td> <td>1661872C1</td> </tr> <tr> <td>A**</td> <td>K9AAB</td> <td>16</td> <td>GY</td> <td>1661875C1</td> <td>1661872C1</td> </tr> <tr> <td>B</td> <td>K28</td> <td>18</td> <td>TN</td> <td>1661875C1</td> <td>1661872C1</td> </tr> </tbody> </table> <p>* N/LONESTAR ** W/LONESTAR</p>						CAV	CIRCUIT	GAUGE	COLOR	TERMINAL	SEAL/SLEEVE	A*	K9AAB	18	GY	1661875C1	1661872C1	A**	K9AAB	16	GY	1661875C1	1661872C1	B	K28	18	TN	1661875C1	1661872C1																		
CAV	CIRCUIT	GAUGE	COLOR	TERMINAL	SEAL/SLEEVE																																										
A*	K9AAB	18	GY	1661875C1	1661872C1																																										
A**	K9AAB	16	GY	1661875C1	1661872C1																																										
B	K28	18	TN	1661875C1	1661872C1																																										
<p>ECM 5V ADAPTER (6706)</p>  <p>CONNECTOR 3543729C1 BODY LOCK 3543731C1</p> <table border="1" style="margin: 10px auto; border-collapse: collapse;"> <thead> <tr> <th>CAV</th> <th>CIRCUIT</th> <th>GAUGE</th> <th>COLOR</th> <th>TERMINAL</th> <th>SEAL/SLEEVE</th> </tr> </thead> <tbody> <tr> <td>A</td> <td>PLUG</td> <td>-</td> <td>-</td> <td>3535425C1</td> <td>-</td> </tr> <tr> <td>B</td> <td>K34BB</td> <td>18</td> <td>TN</td> <td>3535303C1</td> <td>3535424C1</td> </tr> <tr> <td>C</td> <td>PLUG</td> <td>-</td> <td>-</td> <td>3535425C1</td> <td>-</td> </tr> <tr> <td>D</td> <td>K23A1</td> <td>18</td> <td>TN</td> <td>3535303C1</td> <td>3535424C1</td> </tr> <tr> <td>E</td> <td>K92A4</td> <td>18</td> <td>TN</td> <td>3535303C1</td> <td>3535424C1</td> </tr> <tr> <td>F</td> <td>PLUG</td> <td>-</td> <td>-</td> <td>3535425C1</td> <td>-</td> </tr> </tbody> </table>						CAV	CIRCUIT	GAUGE	COLOR	TERMINAL	SEAL/SLEEVE	A	PLUG	-	-	3535425C1	-	B	K34BB	18	TN	3535303C1	3535424C1	C	PLUG	-	-	3535425C1	-	D	K23A1	18	TN	3535303C1	3535424C1	E	K92A4	18	TN	3535303C1	3535424C1	F	PLUG	-	-	3535425C1	-
CAV	CIRCUIT	GAUGE	COLOR	TERMINAL	SEAL/SLEEVE																																										
A	PLUG	-	-	3535425C1	-																																										
B	K34BB	18	TN	3535303C1	3535424C1																																										
C	PLUG	-	-	3535425C1	-																																										
D	K23A1	18	TN	3535303C1	3535424C1																																										
E	K92A4	18	TN	3535303C1	3535424C1																																										
F	PLUG	-	-	3535425C1	-																																										
CHK	DATE	CHANGE	REV	REFERENCE	DRAWN	NAME																																									
012	07FEB13	INITIAL RELEASE.	A	91662T	MJV0088	CIRCUIT DIAGRAM, PROSTAR																																									
					RELEASE NO.	DATE																																									
					91662T	21DEC12																																									
					PART NO.	SHEET																																									
					AE08058107	96A																																									

Figure 546 Connector Body Composite (6703A), (6706)

14.167. CONNECTOR BODY COMPOSITE (6712), (6715), (6720), (6748), (6730), (7104F), P. 97

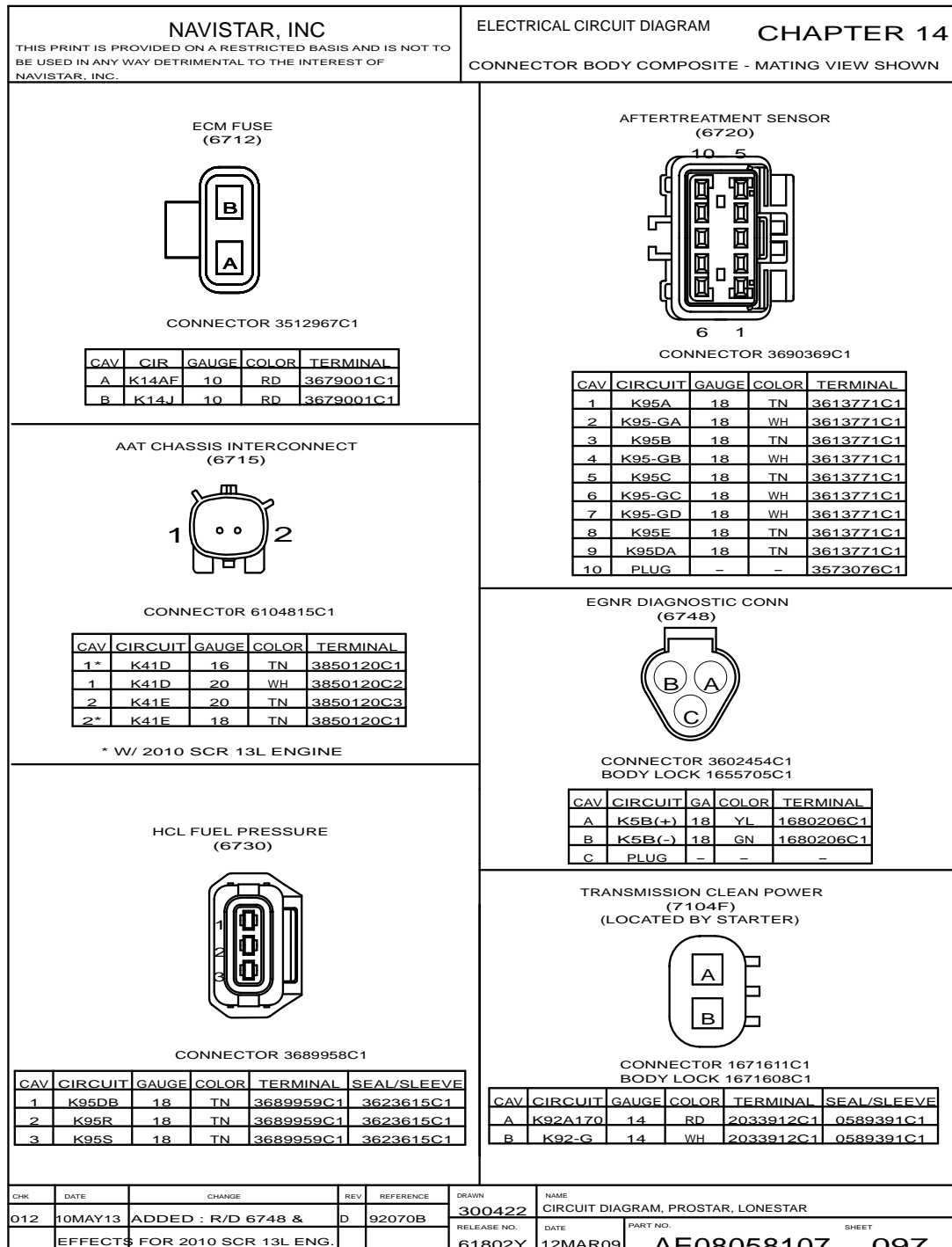


Figure 547 Connector Body Composite (6712), (6715), (6720), (6748), (6730), (7104F)

14.168. CONNECTOR BODY COMPOSITE (7150), P. 97A

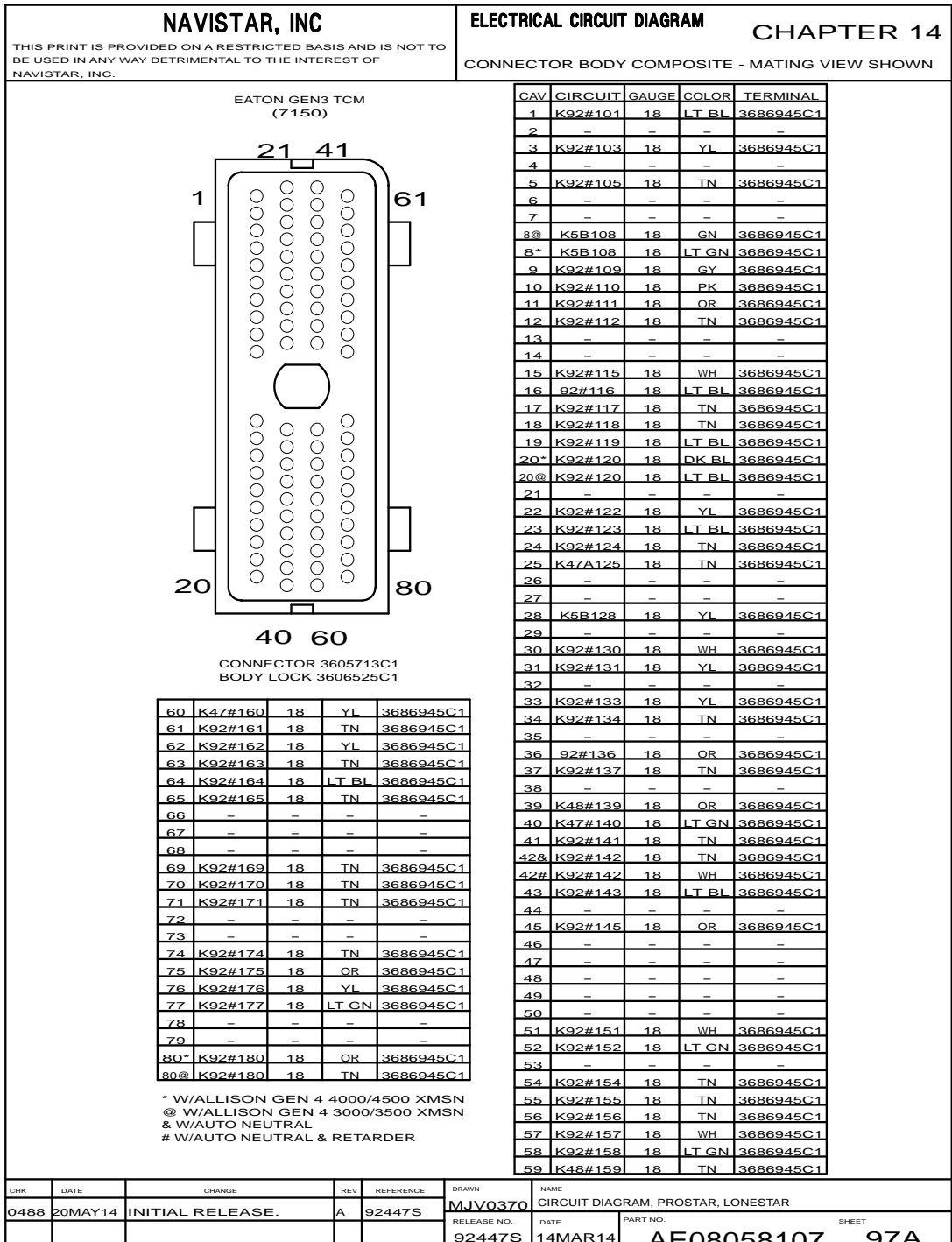


Figure 548 Connector Body Composite (7150)

14.169. CONNECTOR BODY COMPOSITE (7105), (7104B), (7104F), (7110), (7110A), P. 98

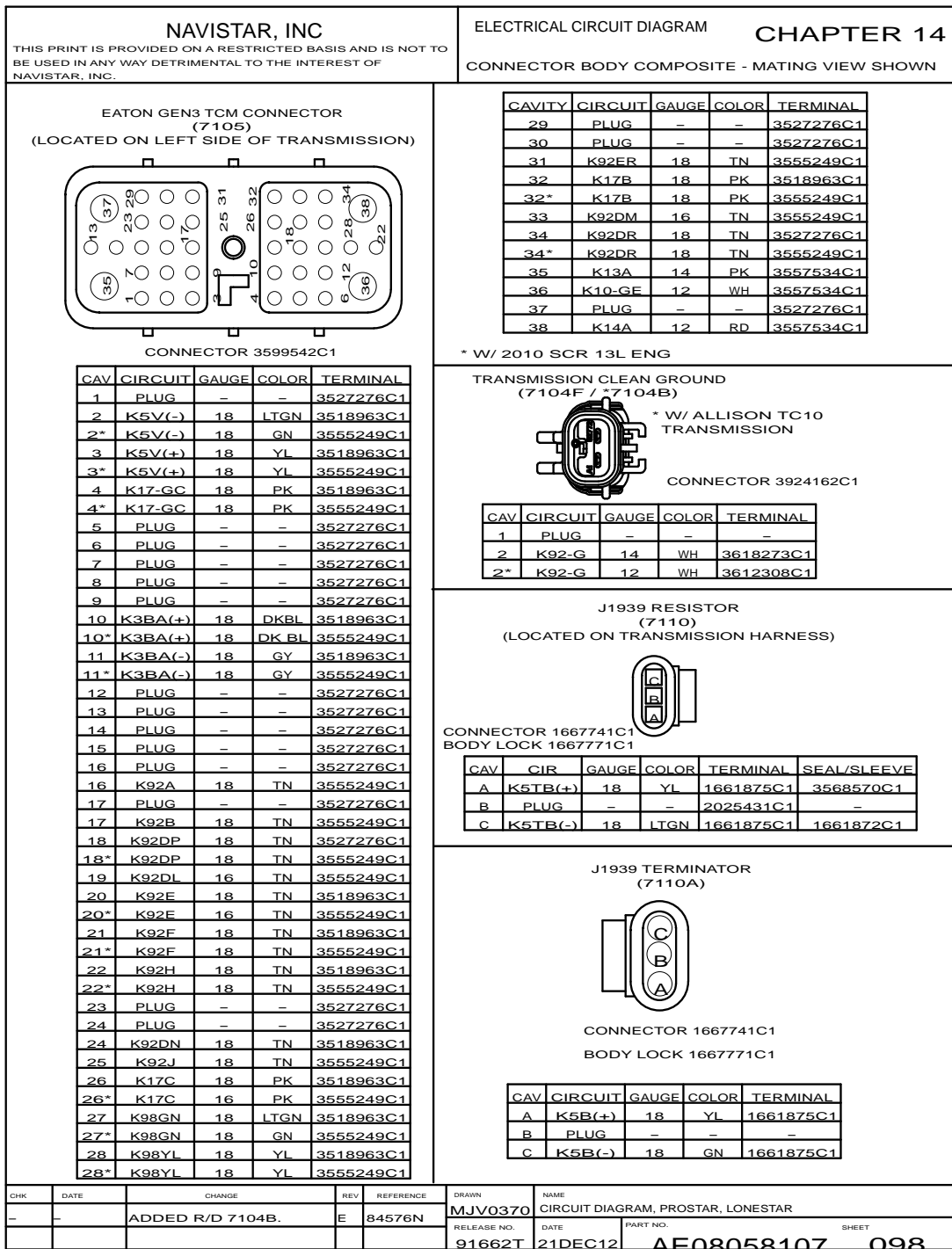


Figure 549 Connector Body Composite (7105), (7104B), (7104F), (7110), (7110A)

14.170. CONNECTOR BODY COMPOSITE (7150), P. 98A

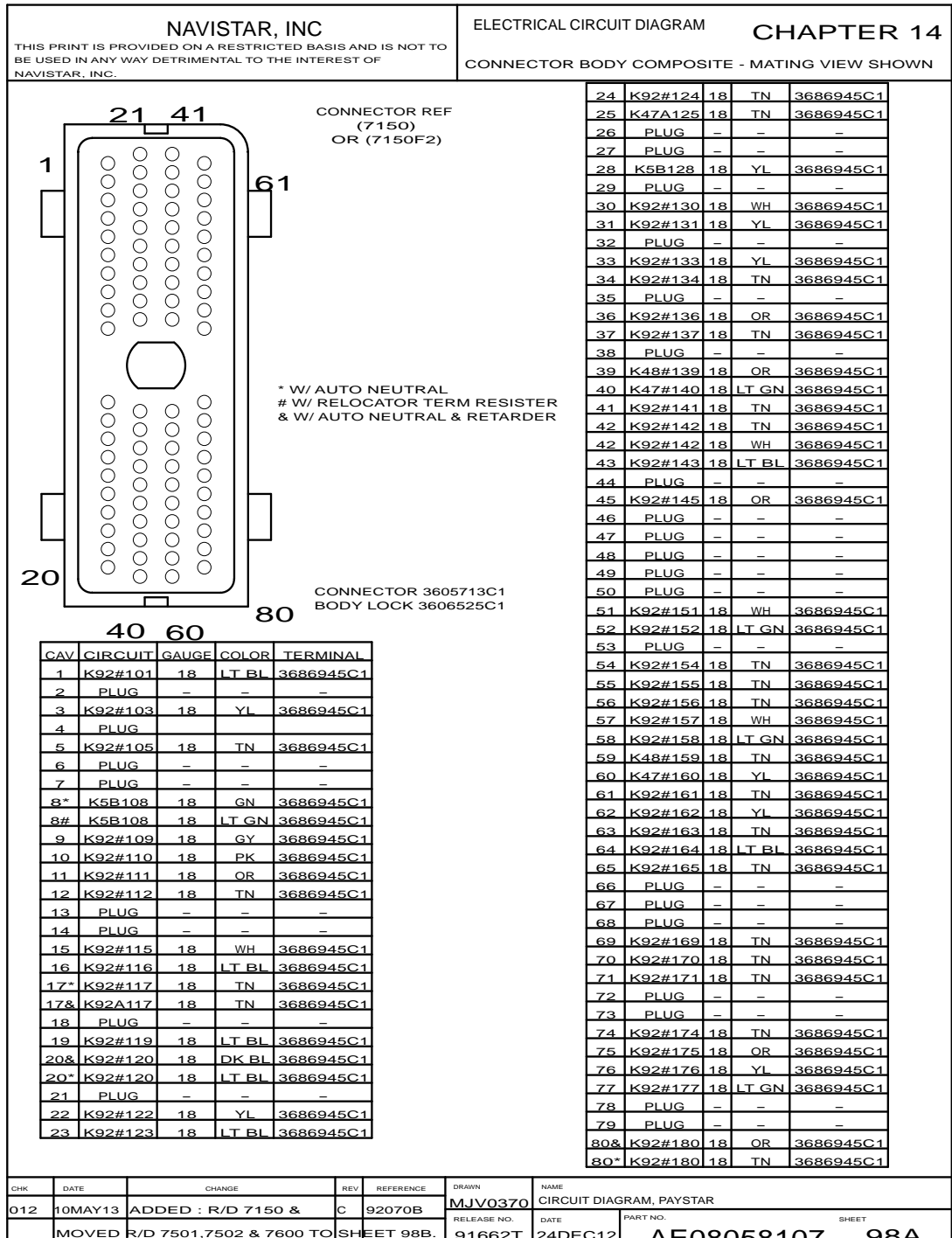


Figure 550 Connector Body Composite (7150)

14.171. CONNECTOR BODY COMPOSITE (7205), (7206), (7211), (7212), (7213), P. 98B

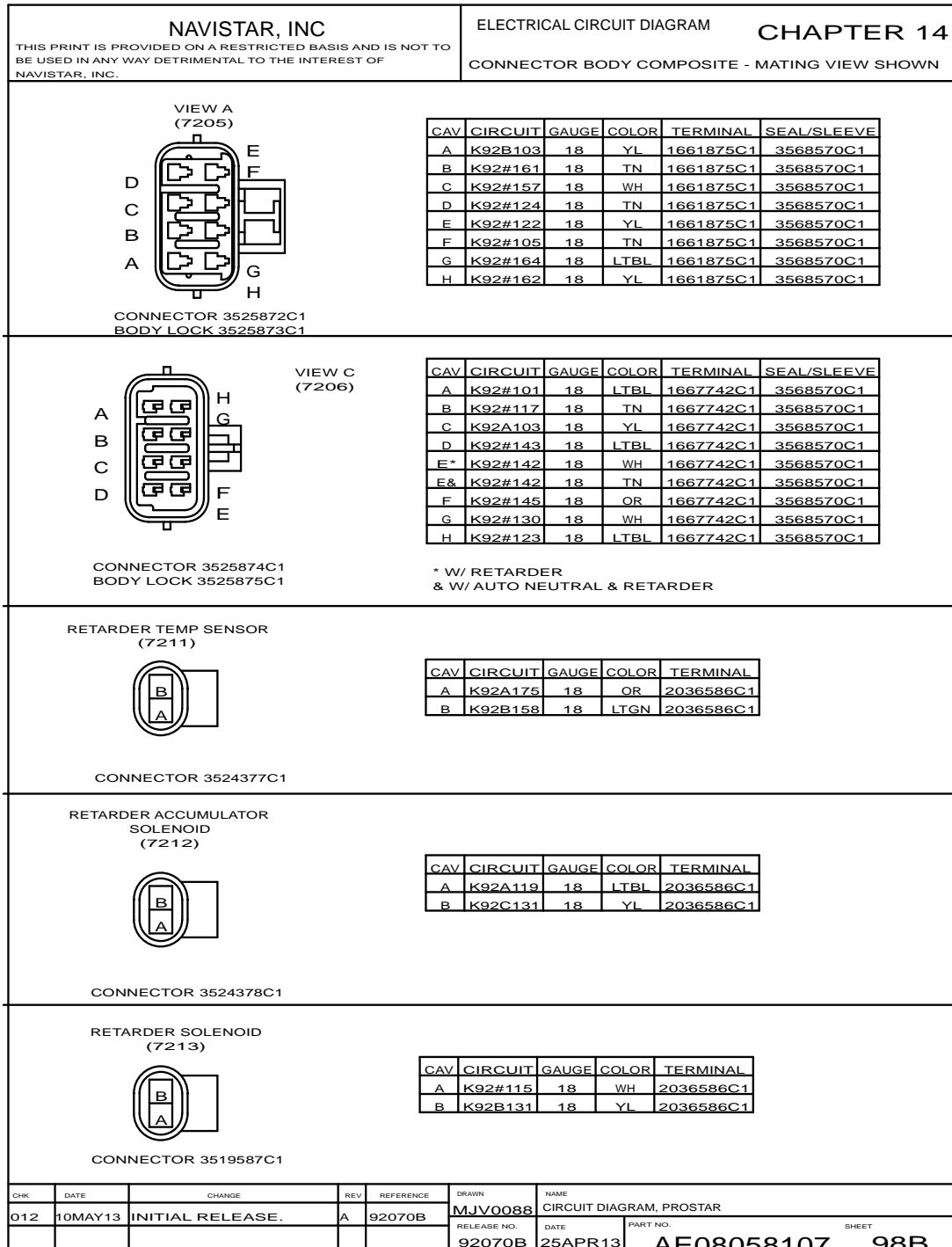


Figure 551 Connector Body Composite (7205), (7206), (7211), (7212), (7213)

14.172. CONNECTOR BODY COMPOSITE (7220), (7250), (7350), P. 98C

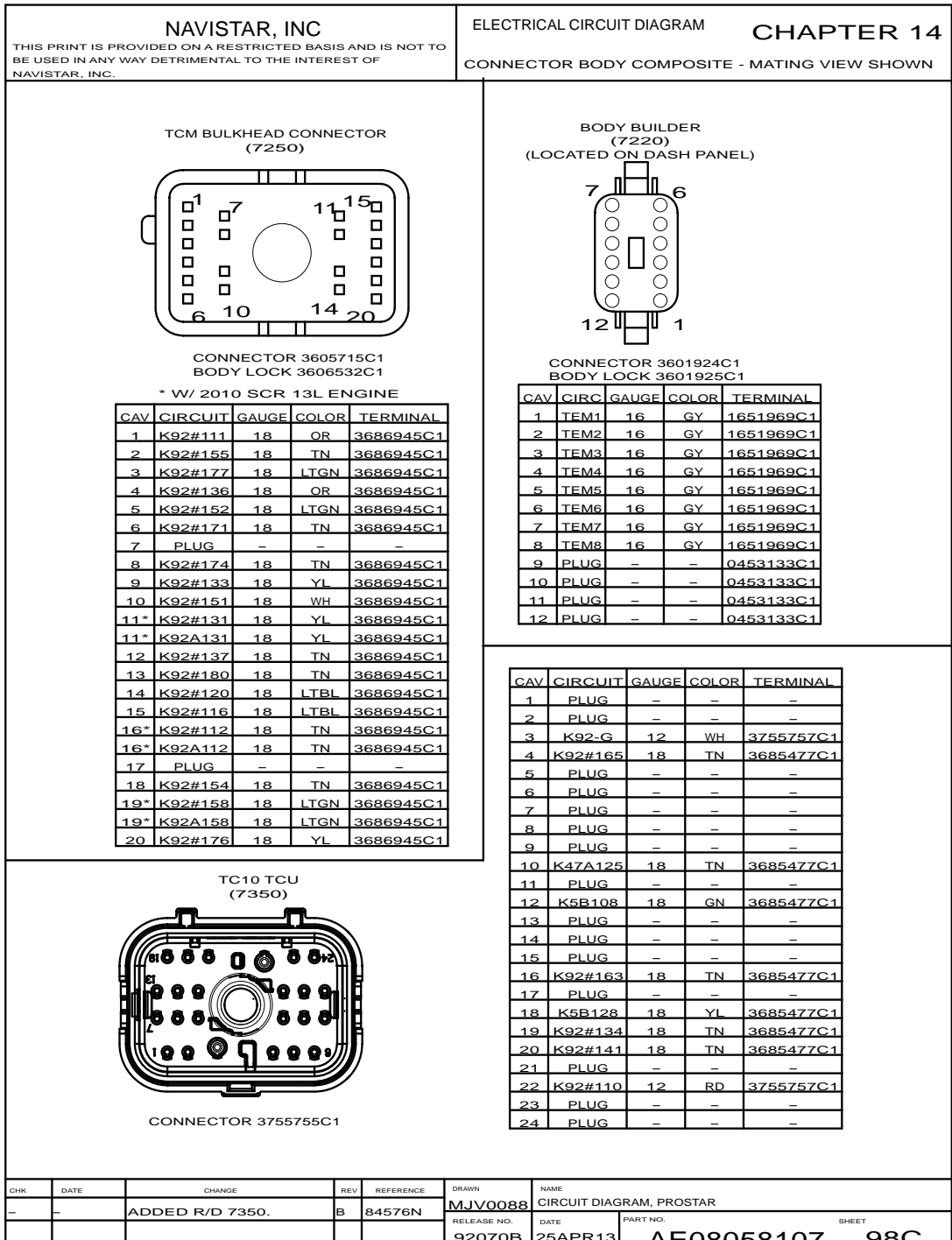


Figure 552 Connector Body Composite (7220), (7250), (7350)



14.173. CONNECTOR BODY COMPOSITE (7500W), (7501), (7502), (7600), (7600A), (7603), P. 98D

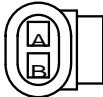

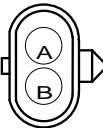
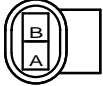

<b>NAVISTAR, INC</b>				<b>ELECTRICAL CIRCUIT DIAGRAM</b>		<b>CHAPTER 14</b>																																					
THIS PRINT IS PROVIDED ON A RESTRICTED BASIS AND IS NOT TO BE USED IN ANY WAY DETRIMENTAL TO THE INTEREST OF NAVISTAR, INC.				CONNECTOR BODY COMPOSITE - MATING VIEW SHOWN																																							
<p>REVERSE LIGHT (7500W) (LOCATED ON TOP OF TRANSMISSION)</p>  <table border="1" style="margin-left: auto; margin-right: auto; font-size: x-small;"> <thead> <tr> <th>CAV</th> <th>CIRC</th> <th>GAUGE</th> <th>COLOR</th> <th>TERMINAL</th> <th>SEAL/SLEEVE</th> </tr> </thead> <tbody> <tr> <td>A</td> <td>K71A</td> <td>16</td> <td>OR</td> <td>1661875C1</td> <td>1661872C1</td> </tr> <tr> <td>B</td> <td>K71B</td> <td>16</td> <td>OR</td> <td>1661875C1</td> <td>1661872C1</td> </tr> </tbody> </table> <p>CONNECTOR 1661778C1 BODY LOCK 1661874C1</p>								CAV	CIRC	GAUGE	COLOR	TERMINAL	SEAL/SLEEVE	A	K71A	16	OR	1661875C1	1661872C1	B	K71B	16	OR	1661875C1	1661872C1																		
CAV	CIRC	GAUGE	COLOR	TERMINAL	SEAL/SLEEVE																																						
A	K71A	16	OR	1661875C1	1661872C1																																						
B	K71B	16	OR	1661875C1	1661872C1																																						
<p>ECA (7501) (LOCATED ON TOP OF TRANSMISSION)</p>  <p style="text-align: right; font-size: x-small;">* W/ 2010 SCR 13L ENGINE # W/ ISX ENGINE</p> <table border="1" style="margin-left: auto; margin-right: auto; font-size: x-small;"> <thead> <tr> <th>CAV</th> <th>CIRC</th> <th>GAUGE</th> <th>COLOR</th> <th>TERMINAL</th> <th>SEAL/SLV</th> </tr> </thead> <tbody> <tr> <td>A</td> <td>PLUG</td> <td>-</td> <td>-</td> <td>1675451C1</td> <td>-</td> </tr> <tr> <td>B</td> <td>K11-G</td> <td>10</td> <td>WH</td> <td>1667737C1</td> <td>1667735C1</td> </tr> <tr> <td>C</td> <td>K14S</td> <td>10</td> <td>RD</td> <td>1667737C1</td> <td>1667735C1</td> </tr> <tr> <td>#C</td> <td>K14K</td> <td>10</td> <td>RD</td> <td>1667737C1</td> <td>1667735C1</td> </tr> <tr> <td>C*</td> <td>K14N</td> <td>10</td> <td>RD</td> <td>1667737C1</td> <td>1667735C1</td> </tr> </tbody> </table> <p>CONNECTOR 1667733C1 BODY LOCK 1667734C1</p>								CAV	CIRC	GAUGE	COLOR	TERMINAL	SEAL/SLV	A	PLUG	-	-	1675451C1	-	B	K11-G	10	WH	1667737C1	1667735C1	C	K14S	10	RD	1667737C1	1667735C1	#C	K14K	10	RD	1667737C1	1667735C1	C*	K14N	10	RD	1667737C1	1667735C1
CAV	CIRC	GAUGE	COLOR	TERMINAL	SEAL/SLV																																						
A	PLUG	-	-	1675451C1	-																																						
B	K11-G	10	WH	1667737C1	1667735C1																																						
C	K14S	10	RD	1667737C1	1667735C1																																						
#C	K14K	10	RD	1667737C1	1667735C1																																						
C*	K14N	10	RD	1667737C1	1667735C1																																						
<p>XMSN PTO (7502) (LOCATED ON TOP OF TRANSMISSION)</p>  <table border="1" style="margin-left: auto; margin-right: auto; font-size: x-small;"> <thead> <tr> <th>CAV</th> <th>CIRC</th> <th>GAUGE</th> <th>COLOR</th> <th>TERMINAL</th> <th>SEAL/SLV</th> </tr> </thead> <tbody> <tr> <td>A</td> <td>K92DP</td> <td>18</td> <td>TN</td> <td>0587578C1</td> <td>1652325C1</td> </tr> <tr> <td>B</td> <td>K92DR</td> <td>18</td> <td>TN</td> <td>0587578C1</td> <td>1652325C1</td> </tr> </tbody> </table> <p>CONNECTOR 0587567C91</p>								CAV	CIRC	GAUGE	COLOR	TERMINAL	SEAL/SLV	A	K92DP	18	TN	0587578C1	1652325C1	B	K92DR	18	TN	0587578C1	1652325C1																		
CAV	CIRC	GAUGE	COLOR	TERMINAL	SEAL/SLV																																						
A	K92DP	18	TN	0587578C1	1652325C1																																						
B	K92DR	18	TN	0587578C1	1652325C1																																						
<p>VEHICLE SPEED SENSOR (7600/7600A) (LOCATED ON TOP OF TRANSMISSION)</p>  <table border="1" style="margin-left: auto; margin-right: auto; font-size: x-small;"> <thead> <tr> <th>CAV</th> <th>CIRC</th> <th>GAUGE</th> <th>COLOR</th> <th>TERMINAL</th> <th>SEAL/SLEEVE</th> </tr> </thead> <tbody> <tr> <td>A</td> <td>K47</td> <td>18</td> <td>GY</td> <td>3554322C1</td> <td>3554318C1</td> </tr> <tr> <td>#A</td> <td>K47A</td> <td>18</td> <td>GY</td> <td>3554322C1</td> <td>3554318C1</td> </tr> <tr> <td>B</td> <td>K47A</td> <td>18</td> <td>GY</td> <td>3554322C1</td> <td>3554318C1</td> </tr> <tr> <td>#B</td> <td>K47B</td> <td>18</td> <td>GY</td> <td>3554322C1</td> <td>3554318C1</td> </tr> </tbody> </table> <p style="text-align: right; font-size: x-small;"># W/ ISX ENGINE</p> <p>CONNECTOR 3662425C1 BODY LOCK 3662518C1</p>								CAV	CIRC	GAUGE	COLOR	TERMINAL	SEAL/SLEEVE	A	K47	18	GY	3554322C1	3554318C1	#A	K47A	18	GY	3554322C1	3554318C1	B	K47A	18	GY	3554322C1	3554318C1	#B	K47B	18	GY	3554322C1	3554318C1						
CAV	CIRC	GAUGE	COLOR	TERMINAL	SEAL/SLEEVE																																						
A	K47	18	GY	3554322C1	3554318C1																																						
#A	K47A	18	GY	3554322C1	3554318C1																																						
B	K47A	18	GY	3554322C1	3554318C1																																						
#B	K47B	18	GY	3554322C1	3554318C1																																						
<p>ALLISON ENGINE SPEED SENSOR (7603)</p>  <table border="1" style="margin-left: auto; margin-right: auto; font-size: x-small;"> <thead> <tr> <th>CAV</th> <th>CIRCUIT</th> <th>GAUGE</th> <th>COLOR</th> <th>TERMINAL</th> <th>SEAL/SLEEVE</th> </tr> </thead> <tbody> <tr> <td>A</td> <td>K48#159</td> <td>18</td> <td>TN</td> <td>3554322C1</td> <td>3554318C1</td> </tr> <tr> <td>B</td> <td>K48#139</td> <td>18</td> <td>OR</td> <td>3554322C1</td> <td>3554318C1</td> </tr> </tbody> </table> <p>CONNECTOR 3610533C1 BODY LOCK 3610532C1</p>								CAV	CIRCUIT	GAUGE	COLOR	TERMINAL	SEAL/SLEEVE	A	K48#159	18	TN	3554322C1	3554318C1	B	K48#139	18	OR	3554322C1	3554318C1																		
CAV	CIRCUIT	GAUGE	COLOR	TERMINAL	SEAL/SLEEVE																																						
A	K48#159	18	TN	3554322C1	3554318C1																																						
B	K48#139	18	OR	3554322C1	3554318C1																																						
CHK	DATE	CHANGE	REV	REFERENCE	DRAWN	NAME																																					
0488	20MAY14	ADDED R/D 7603.	B	92447S	MJV0088	CIRCUIT DIAGRAM, PROSTAR, LONESTAR																																					
					RELEASE NO.	DATE	PART NO.																																				
					92070B	25APR13	AE08058107 98D																																				

Figure 553 Connector Body Composite (7500W), (7501), (7502), (7600), (7600A), (7603)

14.174. CONNECTOR BODY COMPOSITE (7605), (7615), P. 98E

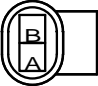
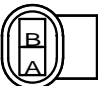
<b>NAVISTAR, INC</b> <small>THIS PRINT IS PROVIDED ON A RESTRICTED BASIS AND IS NOT TO BE USED IN ANY WAY DETRIMENTAL TO THE INTEREST OF NAVISTAR, INC.</small>				ELECTRICAL CIRCUIT DIAGRAM <b>CHAPTER 14</b> CONNECTOR BODY COMPOSITE - MATING VIEW SHOWN																									
<p>ALLISON OUTPUT SPEED SENSOR (7605)</p>  <table border="1" style="margin-left: auto; margin-right: auto;"> <thead> <tr> <th>CAV</th> <th>CIRCUIT</th> <th>GAUGE</th> <th>COLOR</th> <th>TERMINAL</th> <th>SEAL/SLEEVE</th> </tr> </thead> <tbody> <tr> <td>A</td> <td>K47#160</td> <td>18</td> <td>YL</td> <td>3554322C1</td> <td>3554318C1</td> </tr> <tr> <td>B</td> <td>K47#140</td> <td>18</td> <td>LT GN</td> <td>3554322C1</td> <td>3554318C1</td> </tr> </tbody> </table> <p>CONNECTOR 3610533C1 BODY LOCK 3610532C1</p> <p style="text-align: right;">W/ 2010 SCR 13L ENGINE</p>						CAV	CIRCUIT	GAUGE	COLOR	TERMINAL	SEAL/SLEEVE	A	K47#160	18	YL	3554322C1	3554318C1	B	K47#140	18	LT GN	3554322C1	3554318C1						
CAV	CIRCUIT	GAUGE	COLOR	TERMINAL	SEAL/SLEEVE																								
A	K47#160	18	YL	3554322C1	3554318C1																								
B	K47#140	18	LT GN	3554322C1	3554318C1																								
<p>ALLISON TURBINE SPEED SENSOR (7615)</p>  <table border="1" style="margin-left: auto; margin-right: auto;"> <thead> <tr> <th>CAV</th> <th>CIRCUIT</th> <th>GAUGE</th> <th>COLOR</th> <th>TERMINAL</th> <th>SEAL/SLEEVE</th> </tr> </thead> <tbody> <tr> <td>A</td> <td>K92#180</td> <td>18</td> <td>OR</td> <td>3554322C1</td> <td>3554318C1</td> </tr> <tr> <td>B</td> <td>K92#120</td> <td>18</td> <td>DK BL</td> <td>3554322C1</td> <td>3554318C1</td> </tr> <tr> <td>B</td> <td>K92#120</td> <td>18</td> <td>LT BL</td> <td>3554322C1</td> <td>3554318C1</td> </tr> </tbody> </table> <p>CONNECTOR 3610533C1 BODY LOCK 3610532C1</p>						CAV	CIRCUIT	GAUGE	COLOR	TERMINAL	SEAL/SLEEVE	A	K92#180	18	OR	3554322C1	3554318C1	B	K92#120	18	DK BL	3554322C1	3554318C1	B	K92#120	18	LT BL	3554322C1	3554318C1
CAV	CIRCUIT	GAUGE	COLOR	TERMINAL	SEAL/SLEEVE																								
A	K92#180	18	OR	3554322C1	3554318C1																								
B	K92#120	18	DK BL	3554322C1	3554318C1																								
B	K92#120	18	LT BL	3554322C1	3554318C1																								
CHK	DATE	CHANGE	REV	REFERENCE	DRAWN	NAME																							
012	10MAY13	INITIAL RELEASE.	A	92070B	MJV0088	CIRCUIT DIAGRAM, PROSTAR																							
					RELEASE NO.	DATE																							
					92070B	25APR13																							
					PART NO.	SHEET																							
					AE08058107	98E																							

Figure 554 Connector Body Composite (7605), (7615)

14.175. CONNECTOR BODY COMPOSITE (7110B), (7700K), (7802), (7905), P. 99

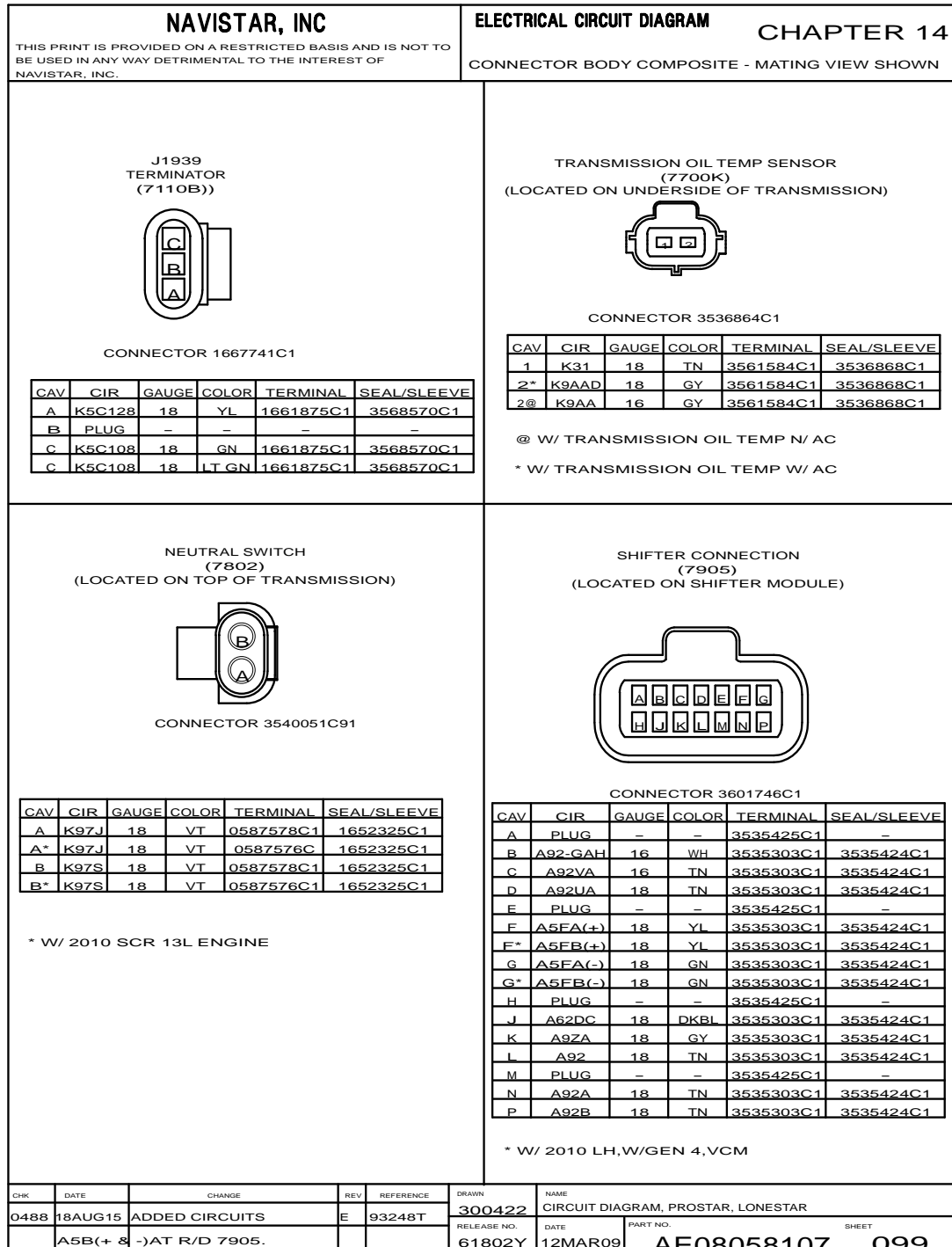


Figure 555 Connector Body Composite (7110B), (7700K), (7802), (7905)

14.176. CONNECTOR BODY COMPOSITE (8000), (8001), P. 99A

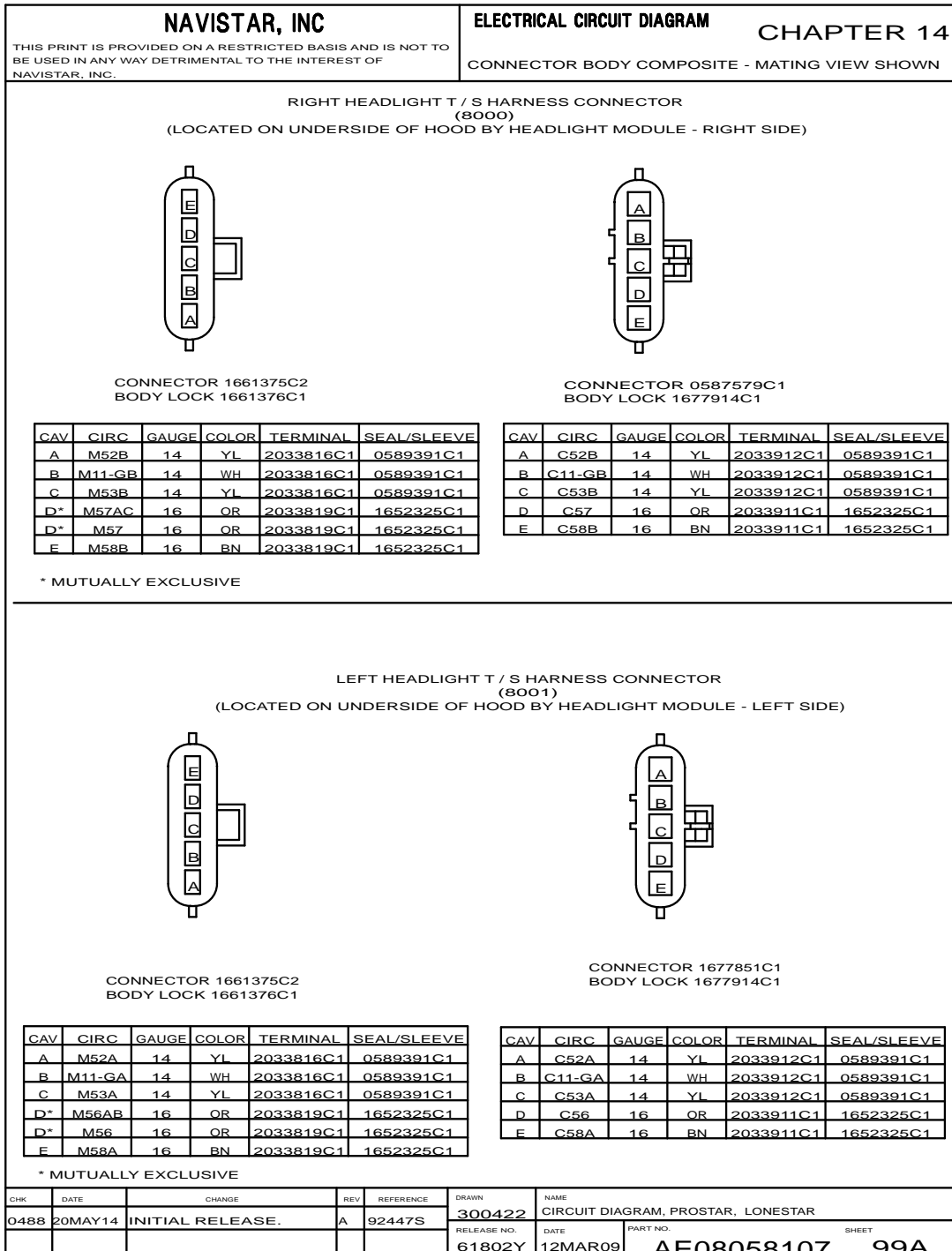


Figure 556 Connector Body Composite (8000), (8001)

14.177. CONNECTOR BODY COMPOSITE (8002), (8003), (8006T), (8006R), (8050), (8051), P. 99B

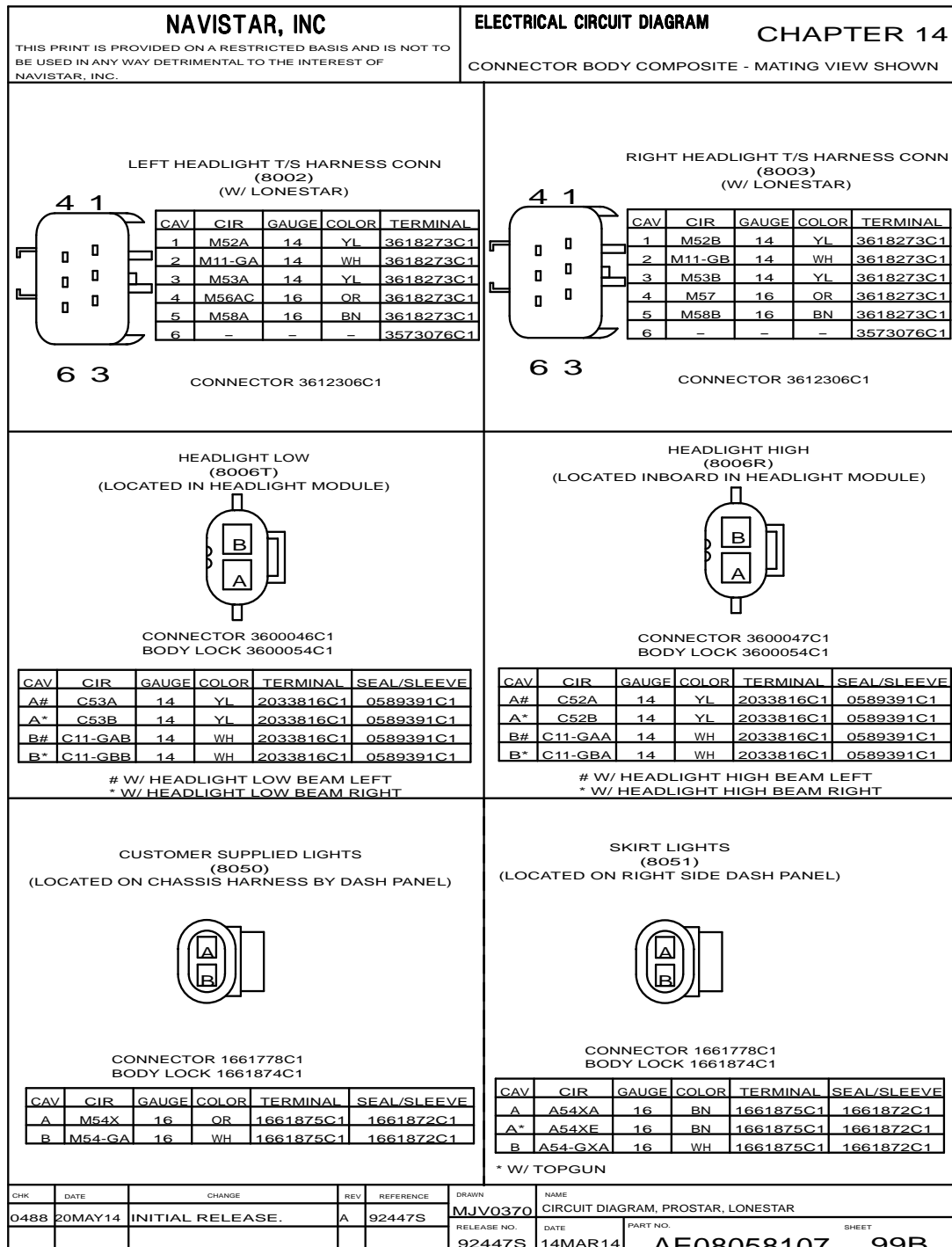


Figure 557 Connector Body Composite (8002), (8003), (8006T), (8006R), (8050), (8051)

14.178. CONNECTOR BODY COMPOSITE (8052), (8053), (8054), (8070), (8071), (8100), (8100A), P. 99C

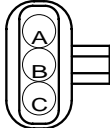
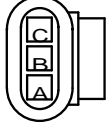
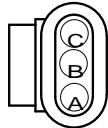
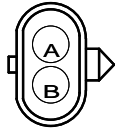
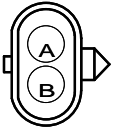
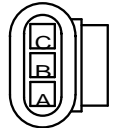

<p style="text-align: center;"><b>NAVISTAR, INC</b></p> <p style="font-size: small;">THIS PRINT IS PROVIDED ON A RESTRICTED BASIS AND IS NOT TO BE USED IN ANY WAY DETRIMENTAL TO THE INTEREST OF NAVISTAR, INC.</p>	<p style="text-align: center;"><b>ELECTRICAL CIRCUIT DIAGRAM</b></p> <p style="text-align: right;"><b>CHAPTER 14</b></p> <p style="text-align: center;">CONNECTOR BODY COMPOSITE - MATING VIEW SHOWN</p>																																																																																
<p style="text-align: center;"><b>SKIRT LIGHTING (8052)</b> (LOCATED ON RIGHT SIDE DASH PANEL)</p>  <p style="text-align: center;">CONNECTOR 1667740C1 BODY LOCK 1667771C1</p> <table border="1" style="width:100%; border-collapse: collapse; font-size: x-small;"> <thead> <tr> <th>CAV</th> <th>CIR</th> <th>GAUGE</th> <th>COLOR</th> <th>TERMINAL</th> <th>SEAL/SLEEVE</th> </tr> </thead> <tbody> <tr> <td>A</td> <td>A54-GXD</td> <td>16</td> <td>WH</td> <td>1667742C1</td> <td>1661872C1</td> </tr> <tr> <td>B</td> <td>A57B</td> <td>16</td> <td>OR</td> <td>1667742C1</td> <td>1661872C1</td> </tr> <tr> <td>C</td> <td>A54XC</td> <td>16</td> <td>BN</td> <td>1667742C1</td> <td>1661872C1</td> </tr> </tbody> </table>	CAV	CIR	GAUGE	COLOR	TERMINAL	SEAL/SLEEVE	A	A54-GXD	16	WH	1667742C1	1661872C1	B	A57B	16	OR	1667742C1	1661872C1	C	A54XC	16	BN	1667742C1	1661872C1	<p style="text-align: center;"><b>RIGHT TURN SIGNAL (8053)</b> (LOCATED AT FORWARD END OF RIGHT FRAME RAIL)</p> <p style="text-align: center;">CONNECTOR 1667741C1 BODY LOCK 1667771C1</p>  <table border="1" style="width:100%; border-collapse: collapse; font-size: x-small;"> <thead> <tr> <th>CAV</th> <th>CIR</th> <th>GAUGE</th> <th>COLOR</th> <th>TERMINAL</th> <th>SEAL/SLEEVE</th> </tr> </thead> <tbody> <tr> <td>A</td> <td>A54-GXE</td> <td>16</td> <td>WH</td> <td>1661875C1</td> <td>1661872C1</td> </tr> <tr> <td>B</td> <td>A57A</td> <td>16</td> <td>OR</td> <td>1661875C1</td> <td>1661872C1</td> </tr> <tr> <td>B*</td> <td>A57AA</td> <td>16</td> <td>OR</td> <td>1661875C1</td> <td>-</td> </tr> <tr> <td>B*</td> <td>A57AC</td> <td>16</td> <td>OR</td> <td>1661875C1</td> <td>-</td> </tr> <tr> <td>C</td> <td>A54XB</td> <td>16</td> <td>BN</td> <td>1661875C1</td> <td>1661872C1</td> </tr> <tr> <td>C*</td> <td>A54A</td> <td>16</td> <td>BN</td> <td>1661875C1</td> <td>-</td> </tr> </tbody> </table> <p style="text-align: right; font-size: x-small;">* W/ 2010 LH FUSE BLOCK</p>	CAV	CIR	GAUGE	COLOR	TERMINAL	SEAL/SLEEVE	A	A54-GXE	16	WH	1661875C1	1661872C1	B	A57A	16	OR	1661875C1	1661872C1	B*	A57AA	16	OR	1661875C1	-	B*	A57AC	16	OR	1661875C1	-	C	A54XB	16	BN	1661875C1	1661872C1	C*	A54A	16	BN	1661875C1	-														
CAV	CIR	GAUGE	COLOR	TERMINAL	SEAL/SLEEVE																																																																												
A	A54-GXD	16	WH	1667742C1	1661872C1																																																																												
B	A57B	16	OR	1667742C1	1661872C1																																																																												
C	A54XC	16	BN	1667742C1	1661872C1																																																																												
CAV	CIR	GAUGE	COLOR	TERMINAL	SEAL/SLEEVE																																																																												
A	A54-GXE	16	WH	1661875C1	1661872C1																																																																												
B	A57A	16	OR	1661875C1	1661872C1																																																																												
B*	A57AA	16	OR	1661875C1	-																																																																												
B*	A57AC	16	OR	1661875C1	-																																																																												
C	A54XB	16	BN	1661875C1	1661872C1																																																																												
C*	A54A	16	BN	1661875C1	-																																																																												
<p style="text-align: center;"><b>RIGHT TURN SIGNAL PROSTAR (8054)</b></p>  <p style="text-align: center;">CONNECTOR 1667741C1 BODY LOCK 2025431C1</p> <p style="text-align: center;">* W/ 2010 LH FUSE BLOCK</p> <table border="1" style="width:100%; border-collapse: collapse; font-size: x-small;"> <thead> <tr> <th>CAV</th> <th>CIR</th> <th>GAUGE</th> <th>COLOR</th> <th>TERMINAL</th> <th>SEAL/SLEEVE</th> </tr> </thead> <tbody> <tr> <td>A@</td> <td>A54-GXE</td> <td>16</td> <td>WH</td> <td>1661875C1</td> <td>1661872C1</td> </tr> <tr> <td>B@</td> <td>A57A</td> <td>16</td> <td>OR</td> <td>1661875C1</td> <td>1661872C1</td> </tr> <tr> <td>B@</td> <td>A57C</td> <td>16</td> <td>OR</td> <td>1661875C1</td> <td>1661872C1</td> </tr> <tr> <td>c@</td> <td>A54A</td> <td>16</td> <td>BN</td> <td>1661875C1</td> <td>1661872C1</td> </tr> </tbody> </table>	CAV	CIR	GAUGE	COLOR	TERMINAL	SEAL/SLEEVE	A@	A54-GXE	16	WH	1661875C1	1661872C1	B@	A57A	16	OR	1661875C1	1661872C1	B@	A57C	16	OR	1661875C1	1661872C1	c@	A54A	16	BN	1661875C1	1661872C1	<p style="text-align: center;"><b>LEFT HTD MIRROR HOOD MTD (8070)</b> (LOCATED ON UNDERSIDE OF HOOD LEFT SIDE)</p>  <p style="text-align: center;">CONNECTOR 0587567C91</p> <table border="1" style="width:100%; border-collapse: collapse; font-size: x-small;"> <thead> <tr> <th>CAV</th> <th>CIR</th> <th>GAUGE</th> <th>COLOR</th> <th>TERMINAL</th> <th>SEAL/SLEEVE</th> </tr> </thead> <tbody> <tr> <td>A</td> <td>M78A</td> <td>16</td> <td>LTGN</td> <td>0597577C1</td> <td>1652325C1</td> </tr> <tr> <td>B</td> <td>M78-GA</td> <td>16</td> <td>WH</td> <td>0597577C1</td> <td>1652325C1</td> </tr> </tbody> </table>	CAV	CIR	GAUGE	COLOR	TERMINAL	SEAL/SLEEVE	A	M78A	16	LTGN	0597577C1	1652325C1	B	M78-GA	16	WH	0597577C1	1652325C1																																
CAV	CIR	GAUGE	COLOR	TERMINAL	SEAL/SLEEVE																																																																												
A@	A54-GXE	16	WH	1661875C1	1661872C1																																																																												
B@	A57A	16	OR	1661875C1	1661872C1																																																																												
B@	A57C	16	OR	1661875C1	1661872C1																																																																												
c@	A54A	16	BN	1661875C1	1661872C1																																																																												
CAV	CIR	GAUGE	COLOR	TERMINAL	SEAL/SLEEVE																																																																												
A	M78A	16	LTGN	0597577C1	1652325C1																																																																												
B	M78-GA	16	WH	0597577C1	1652325C1																																																																												
<p style="text-align: center;"><b>RIGHT HTD MIRROR HOOD MTD (8071)</b> (LOCATED ON UNDERSIDE OF HOOD RIGHT SIDE)</p>  <p style="text-align: center;">CONNECTOR 0587567C91</p> <table border="1" style="width:100%; border-collapse: collapse; font-size: x-small;"> <thead> <tr> <th>CAV</th> <th>CIR</th> <th>GAUGE</th> <th>COLOR</th> <th>TERMINAL</th> <th>SEAL/SLEEVE</th> </tr> </thead> <tbody> <tr> <td>A</td> <td>M78B</td> <td>16</td> <td>LTGN</td> <td>0587577C1</td> <td>1652325C1</td> </tr> <tr> <td>B</td> <td>M78-GB</td> <td>16</td> <td>WH</td> <td>0587577C1</td> <td>1652325C1</td> </tr> </tbody> </table>	CAV	CIR	GAUGE	COLOR	TERMINAL	SEAL/SLEEVE	A	M78B	16	LTGN	0587577C1	1652325C1	B	M78-GB	16	WH	0587577C1	1652325C1	<p style="text-align: center;"><b>LEFT FORWARD MODESTY PANEL TURN LIGHT (8100A)</b> (LOCATED AT FRONT OF LEFT SIDE MODESTY PANEL)</p>  <p style="text-align: center;">CONNECTOR 1667741C1 BODY LOCK 1667771C1</p> <table border="1" style="width:100%; border-collapse: collapse; font-size: x-small;"> <thead> <tr> <th>CAV</th> <th>CIR</th> <th>GAUGE</th> <th>COLOR</th> <th>TERMINAL</th> <th>SEAL/SLEEVE</th> </tr> </thead> <tbody> <tr> <td>A</td> <td>J11GBA</td> <td>16</td> <td>WH</td> <td>1661875C1</td> <td>1661872C1</td> </tr> <tr> <td>B</td> <td>J56AA</td> <td>16</td> <td>OR</td> <td>1661875C1</td> <td>1661872C1</td> </tr> <tr> <td>C</td> <td>J58AA</td> <td>16</td> <td>BN</td> <td>1661875C1</td> <td>1661872C1</td> </tr> </tbody> </table>	CAV	CIR	GAUGE	COLOR	TERMINAL	SEAL/SLEEVE	A	J11GBA	16	WH	1661875C1	1661872C1	B	J56AA	16	OR	1661875C1	1661872C1	C	J58AA	16	BN	1661875C1	1661872C1																																						
CAV	CIR	GAUGE	COLOR	TERMINAL	SEAL/SLEEVE																																																																												
A	M78B	16	LTGN	0587577C1	1652325C1																																																																												
B	M78-GB	16	WH	0587577C1	1652325C1																																																																												
CAV	CIR	GAUGE	COLOR	TERMINAL	SEAL/SLEEVE																																																																												
A	J11GBA	16	WH	1661875C1	1661872C1																																																																												
B	J56AA	16	OR	1661875C1	1661872C1																																																																												
C	J58AA	16	BN	1661875C1	1661872C1																																																																												
<p style="text-align: center;"><b>LEFT MODESTY TURN LAMP (8100)</b> (LOCATED AT FRONT OF LEFT SIDE MODESTY PANEL)</p>  <p style="text-align: center;">CONNECTOR 1667741C1 BODY LOCK 1667771C1</p> <table border="1" style="width:100%; border-collapse: collapse; font-size: x-small;"> <thead> <tr> <th>CAV</th> <th>CIR</th> <th>GAUGE</th> <th>COLOR</th> <th>TERMINAL</th> <th>SEAL/SLEEVE</th> </tr> </thead> <tbody> <tr> <td>A</td> <td>M11-GBB</td> <td>16</td> <td>WH</td> <td>1661875C1</td> <td>1661872C1</td> </tr> <tr> <td>B</td> <td>M56AB</td> <td>16</td> <td>OR</td> <td>1661875C1</td> <td>1661872C1</td> </tr> <tr> <td>C</td> <td>M58AB</td> <td>16</td> <td>BN</td> <td>1661875C1</td> <td>1661872C1</td> </tr> </tbody> </table>	CAV	CIR	GAUGE	COLOR	TERMINAL	SEAL/SLEEVE	A	M11-GBB	16	WH	1661875C1	1661872C1	B	M56AB	16	OR	1661875C1	1661872C1	C	M58AB	16	BN	1661875C1	1661872C1	<table border="1" style="width:100%; border-collapse: collapse; font-size: x-small;"> <thead> <tr> <th>CHK</th> <th>DATE</th> <th>CHANGE</th> <th>REV</th> <th>REFERENCE</th> <th>DRAWN</th> <th>NAME</th> </tr> </thead> <tbody> <tr> <td>-</td> <td>-</td> <td>ADDED R/D 8054.</td> <td>B</td> <td>92715R</td> <td>MJV0370</td> <td>CIRCUIT DIAGRAM, PROSTAR, LONESTAR</td> </tr> <tr> <td></td> <td></td> <td></td> <td></td> <td></td> <td>RELEASE NO.</td> <td>DATE</td> </tr> <tr> <td></td> <td></td> <td></td> <td></td> <td></td> <td>92447S</td> <td>14MAR14</td> </tr> <tr> <td></td> <td></td> <td></td> <td></td> <td></td> <td></td> <td>PART NO.</td> </tr> <tr> <td></td> <td></td> <td></td> <td></td> <td></td> <td></td> <td>AE08058107</td> </tr> <tr> <td></td> <td></td> <td></td> <td></td> <td></td> <td></td> <td>SHEET</td> </tr> <tr> <td></td> <td></td> <td></td> <td></td> <td></td> <td></td> <td>99C</td> </tr> </tbody> </table>	CHK	DATE	CHANGE	REV	REFERENCE	DRAWN	NAME	-	-	ADDED R/D 8054.	B	92715R	MJV0370	CIRCUIT DIAGRAM, PROSTAR, LONESTAR						RELEASE NO.	DATE						92447S	14MAR14							PART NO.							AE08058107							SHEET							99C
CAV	CIR	GAUGE	COLOR	TERMINAL	SEAL/SLEEVE																																																																												
A	M11-GBB	16	WH	1661875C1	1661872C1																																																																												
B	M56AB	16	OR	1661875C1	1661872C1																																																																												
C	M58AB	16	BN	1661875C1	1661872C1																																																																												
CHK	DATE	CHANGE	REV	REFERENCE	DRAWN	NAME																																																																											
-	-	ADDED R/D 8054.	B	92715R	MJV0370	CIRCUIT DIAGRAM, PROSTAR, LONESTAR																																																																											
					RELEASE NO.	DATE																																																																											
					92447S	14MAR14																																																																											
						PART NO.																																																																											
						AE08058107																																																																											
						SHEET																																																																											
						99C																																																																											

Figure 558 Connector Body Composite (8052), (8053), (8054), (8070), (8071), (8100), (8100A)

14.179. CONNECTOR BODY COMPOSITE (8104), (8106), (8107), (8108), (8109), (8110), (8111), (8165), P. 100

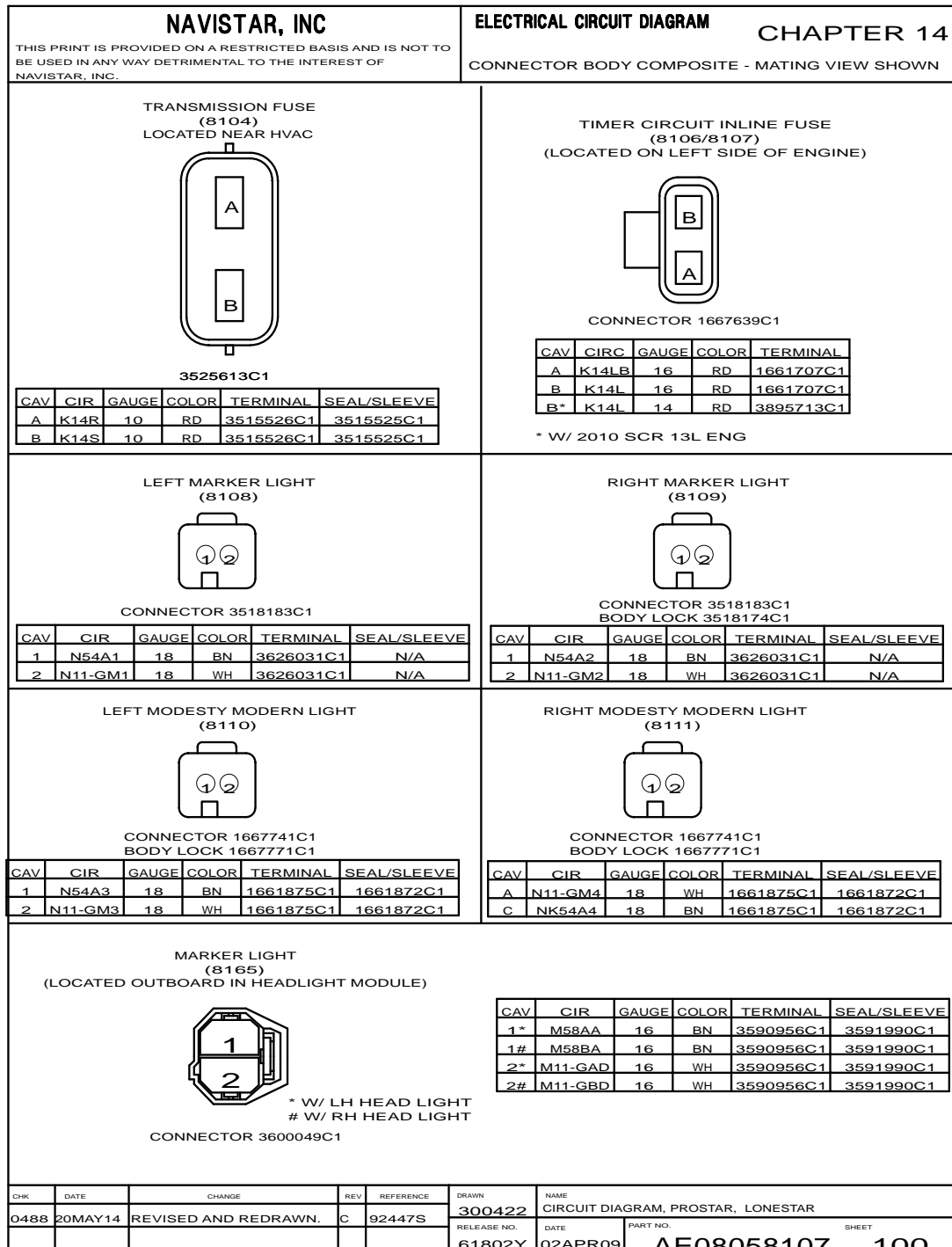


Figure 559 Connector Body Composite (8104), (8106), (8107), (8108), (8109), (8110), (8111), (8165)

14.180. CONNECTOR BODY COMPOSITE (8203A), (8303A), (8303B), P. 101

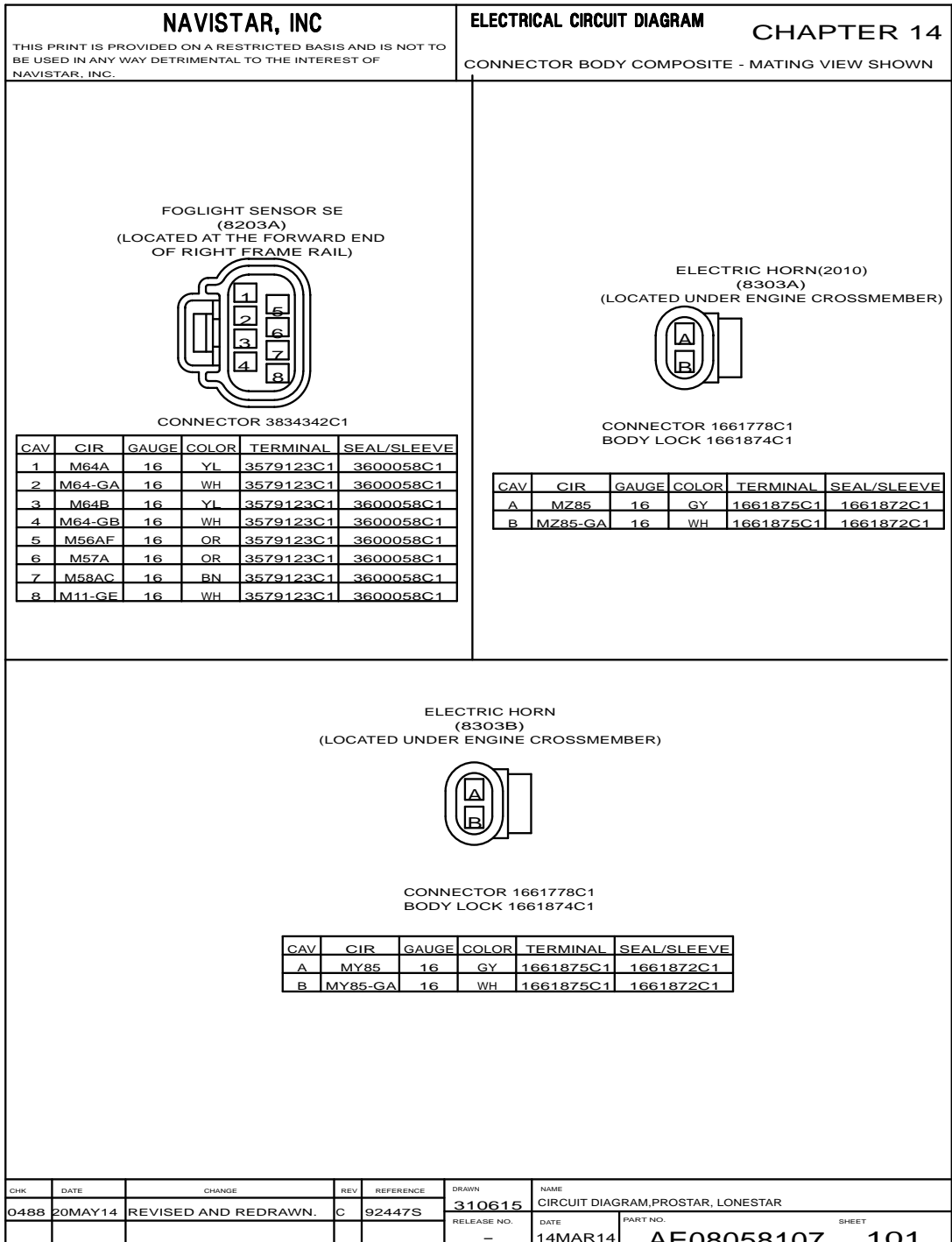


Figure 560 Connector Body Composite (8203A), (8303A), (8303B)



14.181. CONNECTOR BODY COMPOSITE (8201), (8203), (8303), (8310), (8311), (8312), (8350), P. 102

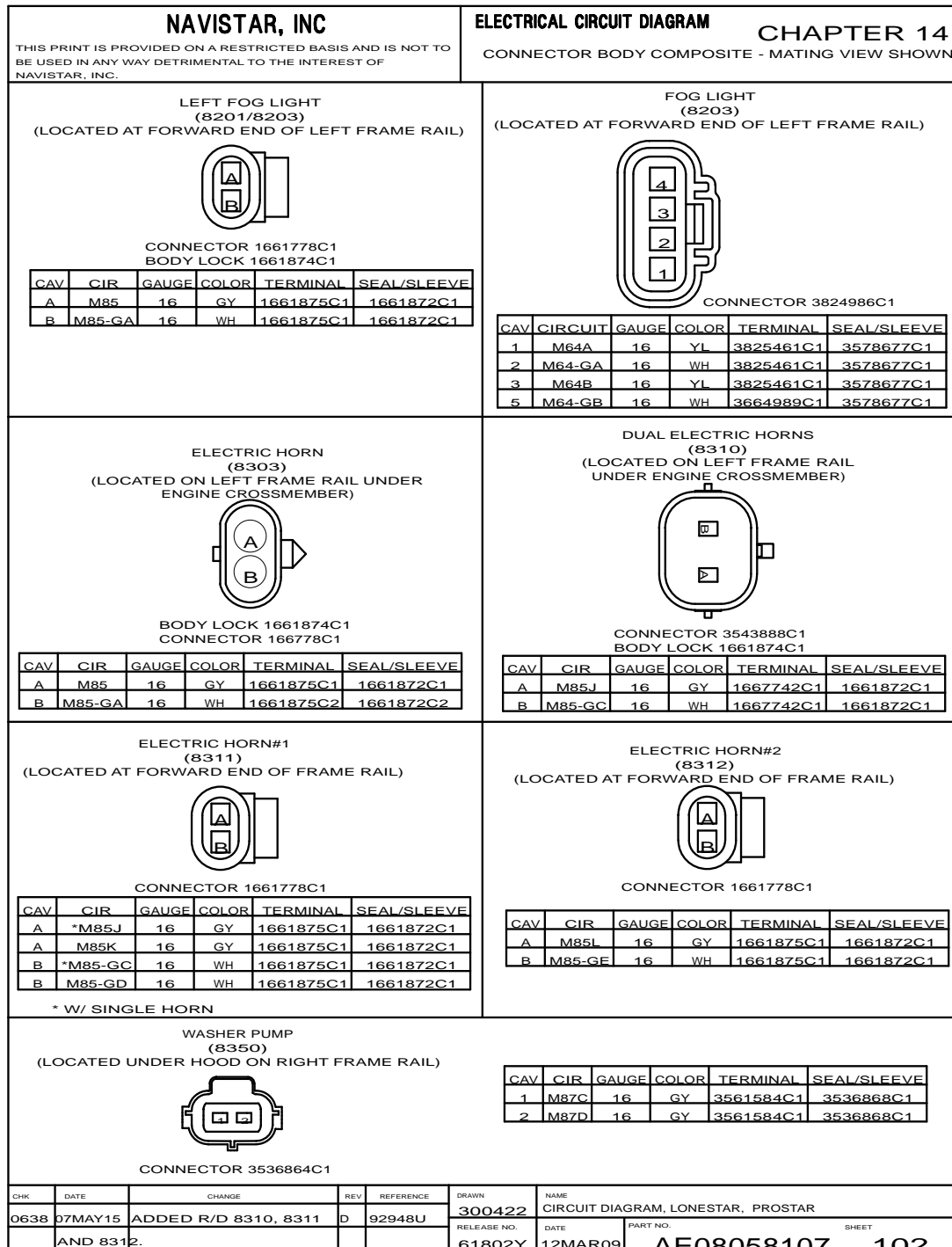


Figure 561 Connector Body Composite (8201), (8203), (8303), (8310), (8311), (8312), (8350)

14.182. INTENTIONALLY LEFT BLANK, P. 103

<b>NAVISTAR, INC</b>				<b>ELECTRICAL CIRCUIT DIAGRAM</b>				<b>CHAPTER 14</b>							
THIS PRINT IS PROVIDED ON A RESTRICTED BASIS AND IS NOT TO BE USED IN ANY WAY DETRIMENTAL TO THE INTEREST OF NAVISTAR, INC.								CONNECTOR BODY COMPOSITE - MATING VIEW SHOWN							
INTENTIONALLY LEFT BLANK															
CHK	DATE	CHANGE	REV	REFERENCE	DRAWN	NAME									
0488	20MAY14	GEOMETRY REMOVED.	C	92447S	300422	CIRCUIT DIAGRAM, PROSTAR, LONESTAR									
					RELEASE NO.	DATE	PART NO.	SHEET							
					61802Y	12MAR09	AE08058107	103							

Figure 562 Intentionally Left Blank

14.183. CONNECTOR BODY COMPOSITE (8351), (8352), (8410), (8450), (8450B), P. 104

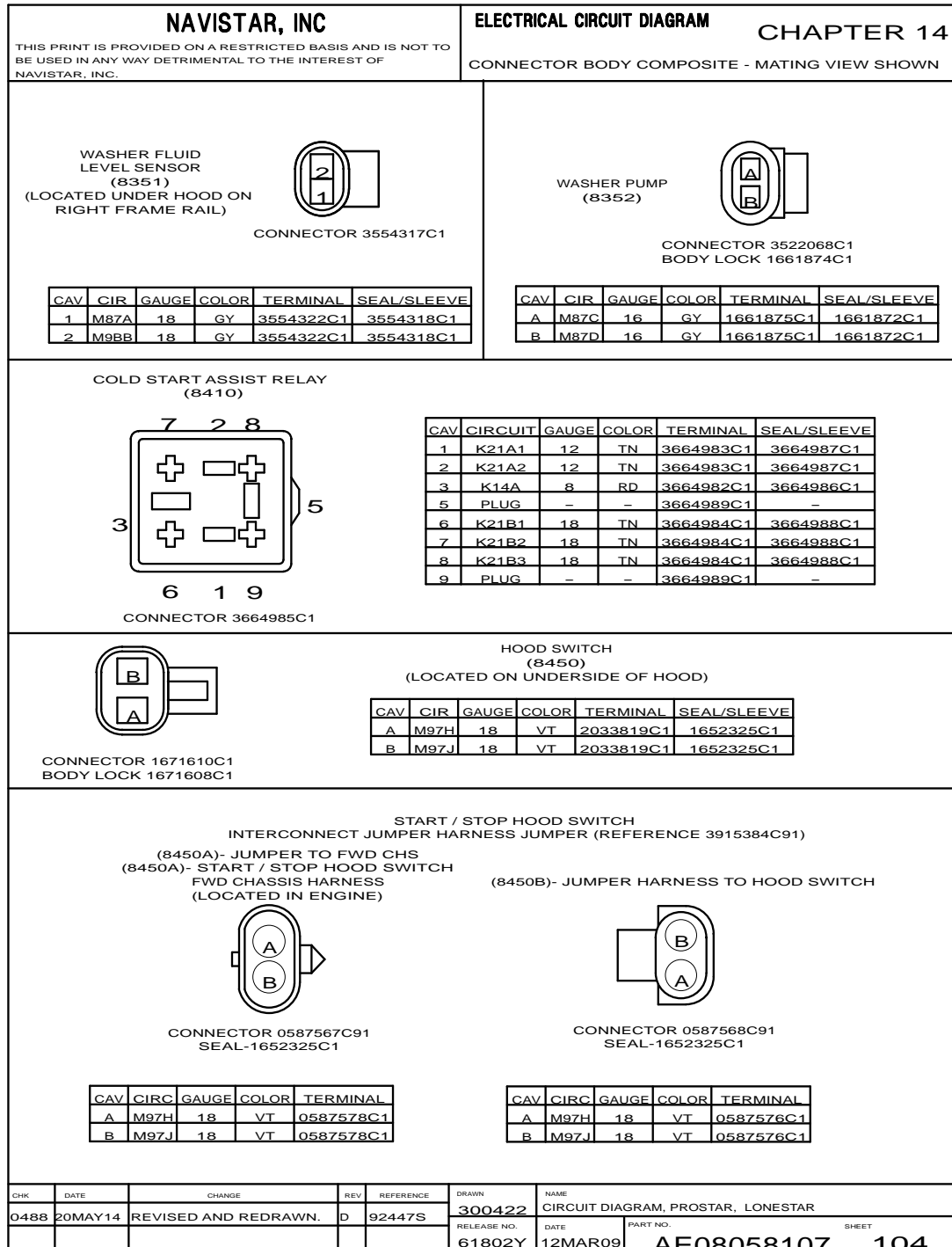


Figure 563 Connector Body Composite (8351), (8352), (8410), (8450), (8450B)

14.184. CONNECTOR BODY COMPOSITE (8450B), (8451), (8453), (8454), (8455), (8456), (8456A), (8500), P. 105

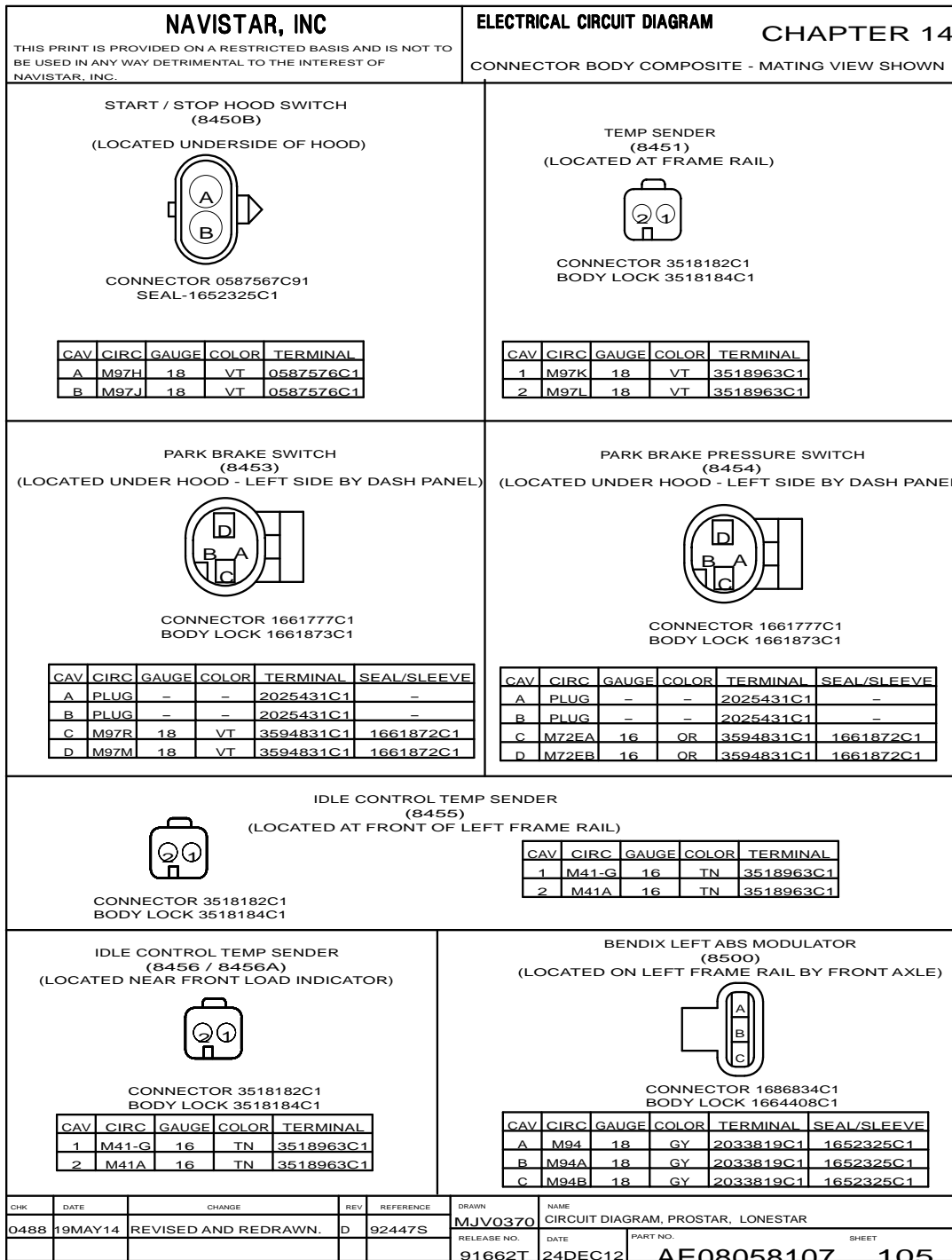


Figure 564 Connector Body Composite (8450B), (8451), (8453), (8454), (8455), (8456), (8456A), (8500)

14.185. CONNECTOR BODY COMPOSITE (8500), (8501), (8502), (8503), (8504), (8504B), (8504C), (8504D), P. 106

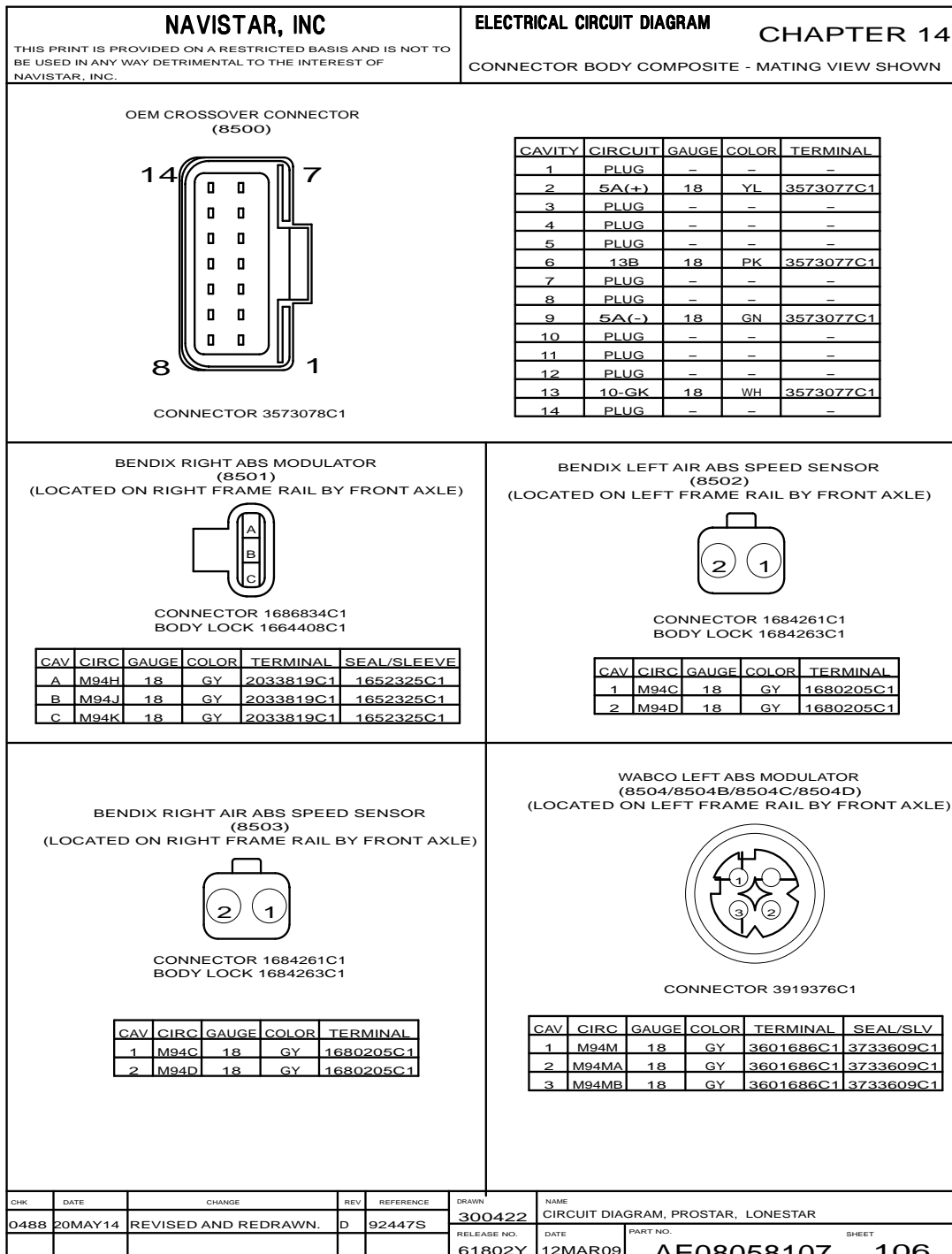


Figure 565 Connector Body Composite (8500), (8501), (8502), (8503), (8504), (8504B), (8504C), (8504D)

14.186. CONNECTOR BODY COMPOSITE (8505), (8505B), (8506), (8507), (8507A), (8507B), P. 107

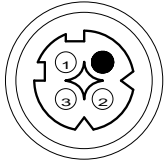

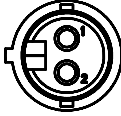
<b>NAVISTAR, INC</b>				<b>ELECTRICAL CIRCUIT DIAGRAM</b>		<b>CHAPTER 14</b>																									
THIS PRINT IS PROVIDED ON A RESTRICTED BASIS AND IS NOT TO BE USED IN ANY WAY DETRIMENTAL TO THE INTEREST OF NAVISTAR, INC.				CONNECTOR BODY COMPOSITE - MATING VIEW SHOWN																											
<p>WABCO RIGHT ABS MODULATOR (8505/8505B) (LOCATED ON RIGHT FRAME RAIL BY FRONT AXLE)</p>  <p>CONNECTOR 3919376C1</p> <table border="1" style="width:100%; border-collapse: collapse; font-size: x-small;"> <thead> <tr> <th>CAV</th> <th>CIRC</th> <th>GAUGE</th> <th>COLOR</th> <th>TERMINAL</th> <th>SEAL/SLV</th> </tr> </thead> <tbody> <tr> <td>1</td> <td>M94MH</td> <td>18</td> <td>GY</td> <td>3601686C1</td> <td>3733609C1</td> </tr> <tr> <td>2</td> <td>M94MJ</td> <td>18</td> <td>GY</td> <td>3601686C1</td> <td>3733609C1</td> </tr> <tr> <td>3</td> <td>M94MK</td> <td>18</td> <td>GY</td> <td>3601686C1</td> <td>3733609C1</td> </tr> </tbody> </table>								CAV	CIRC	GAUGE	COLOR	TERMINAL	SEAL/SLV	1	M94MH	18	GY	3601686C1	3733609C1	2	M94MJ	18	GY	3601686C1	3733609C1	3	M94MK	18	GY	3601686C1	3733609C1
CAV	CIRC	GAUGE	COLOR	TERMINAL	SEAL/SLV																										
1	M94MH	18	GY	3601686C1	3733609C1																										
2	M94MJ	18	GY	3601686C1	3733609C1																										
3	M94MK	18	GY	3601686C1	3733609C1																										
<p>WABCO LEFT ABS SPEED SENSOR (8506) (LOCATED ON LEFT FRAME RAIL BY FRONT AXLE)</p>  <p>CONNECTOR 6111844C1</p> <table border="1" style="width:100%; border-collapse: collapse; font-size: x-small;"> <thead> <tr> <th>CAV</th> <th>CIRC</th> <th>GAUGE</th> <th>COLOR</th> <th>TERMINAL</th> <th>SEAL/SLV</th> </tr> </thead> <tbody> <tr> <td>1</td> <td>M94MC</td> <td>18</td> <td>GY</td> <td>6111842C1</td> <td>6111843C1</td> </tr> <tr> <td>2</td> <td>M94MD</td> <td>18</td> <td>GY</td> <td>6111842C1</td> <td>6111843C1</td> </tr> </tbody> </table>								CAV	CIRC	GAUGE	COLOR	TERMINAL	SEAL/SLV	1	M94MC	18	GY	6111842C1	6111843C1	2	M94MD	18	GY	6111842C1	6111843C1						
CAV	CIRC	GAUGE	COLOR	TERMINAL	SEAL/SLV																										
1	M94MC	18	GY	6111842C1	6111843C1																										
2	M94MD	18	GY	6111842C1	6111843C1																										
<p>WABCO RIGHT ABS SPEED SENSOR (8507/8507A/8507B) (LOCATED ON RIGHT FRAME RAIL BY FRONT AXLE)</p>  <p>CONNECTOR 6111844C1</p> <table border="1" style="width:100%; border-collapse: collapse; font-size: x-small;"> <thead> <tr> <th>CAV</th> <th>CIRC</th> <th>GAUGE</th> <th>COLOR</th> <th>TERMINAL</th> <th>SEAL/SLV</th> </tr> </thead> <tbody> <tr> <td>1</td> <td>M94ME</td> <td>18</td> <td>GY</td> <td>6111842C1</td> <td>6111843C1</td> </tr> <tr> <td>2</td> <td>M94MF</td> <td>18</td> <td>GY</td> <td>6111842C1</td> <td>6111843C1</td> </tr> </tbody> </table>								CAV	CIRC	GAUGE	COLOR	TERMINAL	SEAL/SLV	1	M94ME	18	GY	6111842C1	6111843C1	2	M94MF	18	GY	6111842C1	6111843C1						
CAV	CIRC	GAUGE	COLOR	TERMINAL	SEAL/SLV																										
1	M94ME	18	GY	6111842C1	6111843C1																										
2	M94MF	18	GY	6111842C1	6111843C1																										
CHK	DATE	CHANGE	REV	REFERENCE	DRAWN	NAME																									
0488	20MAY14	REVISED AND REDRAWN.	C	92447S	300422	CIRCUIT DIAGRAM, PROSTAR, LONESTAR																									
					RELEASE NO.	DATE	PART NO.																								
					61802Y	12MAR09	AE08058107																								
						SHEET	107																								

Figure 566 Connector Body Composite (8505), (8505B), (8506), (8507), (8507A), (8507B)

14.187. CONNECTOR BODY COMPOSITE (8500), (8501), (8502), (8503), (8504), (8504B), (8504C), (8504D), P. 108

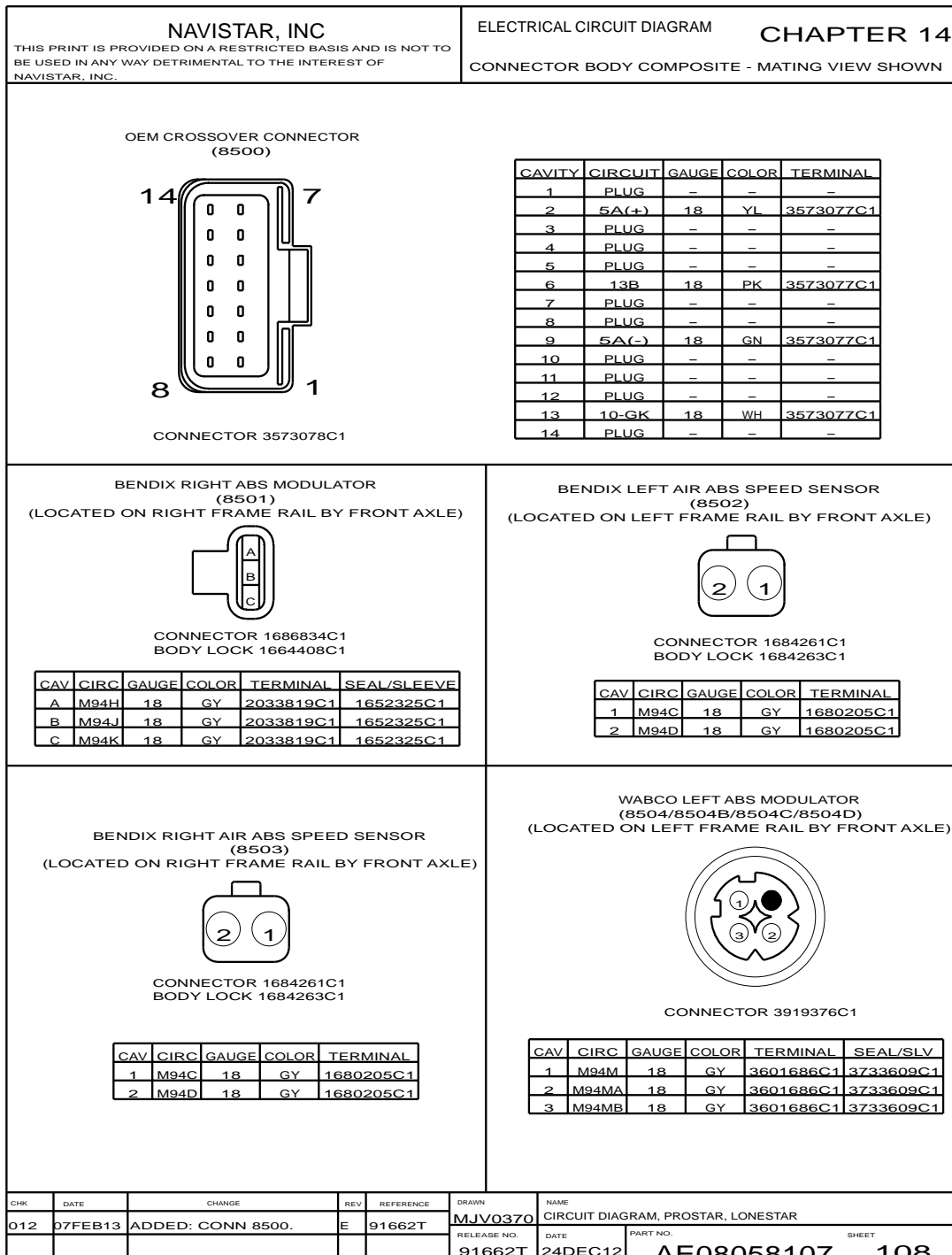


Figure 567 Connector Body Composite (8500), (8501), (8502), (8503), (8504), (8504B), (8504C), (8504D)

14.188. CONNECTOR BODY COMPOSITE (8800), (8802), (8803), (8804), (8805), (8806), (8900), P. 109

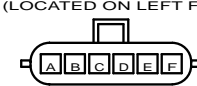
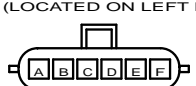
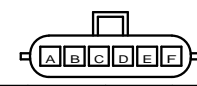
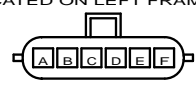
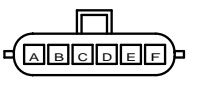

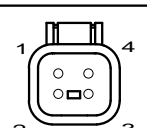
<b>NAVISTAR, INC</b>				<b>ELECTRICAL CIRCUIT DIAGRAM</b>		<b>CHAPTER 14</b>																																																																																																							
THIS PRINT IS PROVIDED ON A RESTRICTED BASIS AND IS NOT TO BE USED IN ANY WAY DETRIMENTAL TO THE INTEREST OF NAVISTAR, INC.				CONNECTOR BODY COMPOSITE - MATING VIEW SHOWN																																																																																																									
<p><b>GROUND SPLICE PACK #1 (8800)</b> (LOCATED ON LEFT FRAME RAIL BY ENG CROSSMEMBER)</p>  <p>CONNECTOR 3551896C1 BODY LOCK 3551897C1</p> <p style="text-align: center;">* W/ LIGHT WIRING # W/ HTD HOOD MIRROR</p>				<p><b>ELECTRONIC GROUND SPLICE PACK (8802)</b> (LOCATED ON LEFT FRAME RAIL UNDER CAB)</p>  <p>CONNECTOR 3551896C1 BODY LOCK 3551897C1</p>																																																																																																									
<table border="1" style="width:100%; border-collapse: collapse; font-size: x-small;"> <thead> <tr> <th>CAV</th> <th>CIR</th> <th>GAUGE</th> <th>COLOR</th> <th>TERMINAL</th> <th>SEAL/SLEEVE</th> </tr> </thead> <tbody> <tr><td>A</td><td>M11-GD</td><td>12</td><td>WH</td><td>2033819C1</td><td>0589390C1</td></tr> <tr><td>B</td><td>M64-GA</td><td>16</td><td>WH</td><td>2033819C1</td><td>1652325C1</td></tr> <tr><td>C</td><td>M64-GB</td><td>16</td><td>TN</td><td>2033819C1</td><td>1652325C1</td></tr> <tr><td>D</td><td>M19-GA</td><td>14</td><td>WH</td><td>2033819C1</td><td>0589390C1</td></tr> <tr><td>E</td><td>M54-GA</td><td>16</td><td>WH</td><td>2033819C1</td><td>1652325C1</td></tr> <tr><td>E</td><td>E78-G</td><td>16</td><td>WH</td><td>2033819C1</td><td>1652325C1</td></tr> <tr><td>F</td><td>M85-GA</td><td>16</td><td>WH</td><td>2033819C1</td><td>1652325C1</td></tr> </tbody> </table>				CAV	CIR	GAUGE	COLOR	TERMINAL	SEAL/SLEEVE	A	M11-GD	12	WH	2033819C1	0589390C1	B	M64-GA	16	WH	2033819C1	1652325C1	C	M64-GB	16	TN	2033819C1	1652325C1	D	M19-GA	14	WH	2033819C1	0589390C1	E	M54-GA	16	WH	2033819C1	1652325C1	E	E78-G	16	WH	2033819C1	1652325C1	F	M85-GA	16	WH	2033819C1	1652325C1	<table border="1" style="width:100%; border-collapse: collapse; font-size: x-small;"> <thead> <tr> <th>CAV</th> <th>CIR</th> <th>GAUGE</th> <th>COLOR</th> <th>TERMINAL</th> <th>SEAL/SLEEVE</th> </tr> </thead> <tbody> <tr><td>A</td><td>N9BC</td><td>18</td><td>GY</td><td>2033819C1</td><td>1652325C1</td></tr> <tr><td>B</td><td>N9BD</td><td>18</td><td>GY</td><td>2033819C1</td><td>1652325C1</td></tr> <tr><td>C</td><td>N9BE</td><td>18</td><td>GY</td><td>2033819C1</td><td>1652325C1</td></tr> <tr><td>D</td><td>N9BF</td><td>18</td><td>GY</td><td>2033819C1</td><td>1652325C1</td></tr> <tr><td>E</td><td>PLUG</td><td>-</td><td>-</td><td>0587579C1</td><td>-</td></tr> <tr><td>F</td><td>PLUG</td><td>-</td><td>-</td><td>0587579C1</td><td>-</td></tr> </tbody> </table>				CAV	CIR	GAUGE	COLOR	TERMINAL	SEAL/SLEEVE	A	N9BC	18	GY	2033819C1	1652325C1	B	N9BD	18	GY	2033819C1	1652325C1	C	N9BE	18	GY	2033819C1	1652325C1	D	N9BF	18	GY	2033819C1	1652325C1	E	PLUG	-	-	0587579C1	-	F	PLUG	-	-	0587579C1	-												
CAV	CIR	GAUGE	COLOR	TERMINAL	SEAL/SLEEVE																																																																																																								
A	M11-GD	12	WH	2033819C1	0589390C1																																																																																																								
B	M64-GA	16	WH	2033819C1	1652325C1																																																																																																								
C	M64-GB	16	TN	2033819C1	1652325C1																																																																																																								
D	M19-GA	14	WH	2033819C1	0589390C1																																																																																																								
E	M54-GA	16	WH	2033819C1	1652325C1																																																																																																								
E	E78-G	16	WH	2033819C1	1652325C1																																																																																																								
F	M85-GA	16	WH	2033819C1	1652325C1																																																																																																								
CAV	CIR	GAUGE	COLOR	TERMINAL	SEAL/SLEEVE																																																																																																								
A	N9BC	18	GY	2033819C1	1652325C1																																																																																																								
B	N9BD	18	GY	2033819C1	1652325C1																																																																																																								
C	N9BE	18	GY	2033819C1	1652325C1																																																																																																								
D	N9BF	18	GY	2033819C1	1652325C1																																																																																																								
E	PLUG	-	-	0587579C1	-																																																																																																								
F	PLUG	-	-	0587579C1	-																																																																																																								
<p><b>CHASSIS GND ADAPTER (8803)</b> (LOCATED ON LEFT FRAME RAIL UNDER CAB)</p>  <p>CONNECTOR 3551896C1 BODY LOCK 3551897C1</p>				<p><b>CHASSIS GND ADAPTER (8804)</b> (LOCATED ON LEFT FRAME RAIL UNDER CAB)</p>  <p>CONNECTOR 3551896C1 BODY LOCK 3551897C1</p> <p style="text-align: center;">% LSM BOC BTRY BOX @ LSM UC BTRY BOX * RSM UC BTRY BOX</p>																																																																																																									
<table border="1" style="width:100%; border-collapse: collapse; font-size: x-small;"> <thead> <tr> <th>CAV</th> <th>CIR</th> <th>GAUGE</th> <th>COLOR</th> <th>TERMINAL</th> <th>SEAL/SLEEVE</th> </tr> </thead> <tbody> <tr><td>A</td><td>N11-GA</td><td>10</td><td>WH</td><td>1687847C1</td><td>0589390C1</td></tr> <tr><td>B</td><td>N10-G</td><td>12</td><td>WH</td><td>2033816C1</td><td>0589391C1</td></tr> <tr><td>C</td><td>N39-G</td><td>18</td><td>WH</td><td>2033819C1</td><td>1652325C1</td></tr> <tr><td>D</td><td>N37-G</td><td>18</td><td>WH</td><td>2033819C1</td><td>1652325C1</td></tr> <tr><td>E</td><td>N39-G</td><td>16</td><td>WH</td><td>2033819C1</td><td>1652325C1</td></tr> <tr><td>F</td><td>N11-GJ</td><td>16</td><td>WH</td><td>2033819C1</td><td>1652325C1</td></tr> </tbody> </table>				CAV	CIR	GAUGE	COLOR	TERMINAL	SEAL/SLEEVE	A	N11-GA	10	WH	1687847C1	0589390C1	B	N10-G	12	WH	2033816C1	0589391C1	C	N39-G	18	WH	2033819C1	1652325C1	D	N37-G	18	WH	2033819C1	1652325C1	E	N39-G	16	WH	2033819C1	1652325C1	F	N11-GJ	16	WH	2033819C1	1652325C1	<table border="1" style="width:100%; border-collapse: collapse; font-size: x-small;"> <thead> <tr> <th>CAV</th> <th>CIR</th> <th>GAUGE</th> <th>COLOR</th> <th>TERMINAL</th> <th>SEAL/SLEEVE</th> </tr> </thead> <tbody> <tr><td>A</td><td>N11-GB</td><td>10</td><td>WH</td><td>1687847C1</td><td>0589390C1</td></tr> <tr><td>B</td><td>N59-G</td><td>14</td><td>WH</td><td>2033816C1</td><td>0589391C1</td></tr> <tr><td>C</td><td>N59-GA</td><td>14</td><td>WH</td><td>2033816C1</td><td>0589391C1</td></tr> <tr><td>D</td><td>N49-G</td><td>18</td><td>WH</td><td>2033819C1</td><td>1652325C1</td></tr> <tr><td>D</td><td>%N104A-G</td><td></td><td></td><td></td><td></td></tr> <tr><td>D</td><td>@N104B-G</td><td>18</td><td>DKBL</td><td>2033819C1</td><td>3517771C1</td></tr> <tr><td>D</td><td>*N104C-G</td><td></td><td></td><td></td><td></td></tr> <tr><td>E</td><td>N65-G</td><td>16</td><td>WH</td><td>2033819C1</td><td>1652325C1</td></tr> <tr><td>F</td><td>N65-GA</td><td>14</td><td>WH</td><td>2033816C1</td><td>0589391C1</td></tr> </tbody> </table>				CAV	CIR	GAUGE	COLOR	TERMINAL	SEAL/SLEEVE	A	N11-GB	10	WH	1687847C1	0589390C1	B	N59-G	14	WH	2033816C1	0589391C1	C	N59-GA	14	WH	2033816C1	0589391C1	D	N49-G	18	WH	2033819C1	1652325C1	D	%N104A-G					D	@N104B-G	18	DKBL	2033819C1	3517771C1	D	*N104C-G					E	N65-G	16	WH	2033819C1	1652325C1	F	N65-GA	14	WH	2033816C1	0589391C1
CAV	CIR	GAUGE	COLOR	TERMINAL	SEAL/SLEEVE																																																																																																								
A	N11-GA	10	WH	1687847C1	0589390C1																																																																																																								
B	N10-G	12	WH	2033816C1	0589391C1																																																																																																								
C	N39-G	18	WH	2033819C1	1652325C1																																																																																																								
D	N37-G	18	WH	2033819C1	1652325C1																																																																																																								
E	N39-G	16	WH	2033819C1	1652325C1																																																																																																								
F	N11-GJ	16	WH	2033819C1	1652325C1																																																																																																								
CAV	CIR	GAUGE	COLOR	TERMINAL	SEAL/SLEEVE																																																																																																								
A	N11-GB	10	WH	1687847C1	0589390C1																																																																																																								
B	N59-G	14	WH	2033816C1	0589391C1																																																																																																								
C	N59-GA	14	WH	2033816C1	0589391C1																																																																																																								
D	N49-G	18	WH	2033819C1	1652325C1																																																																																																								
D	%N104A-G																																																																																																												
D	@N104B-G	18	DKBL	2033819C1	3517771C1																																																																																																								
D	*N104C-G																																																																																																												
E	N65-G	16	WH	2033819C1	1652325C1																																																																																																								
F	N65-GA	14	WH	2033816C1	0589391C1																																																																																																								
<p><b>ELECTRONIC GROUND ADAPTER (8805)</b> (LOCATED ON CENTRE CHASSIS HARNESS, BOTTOM OF DASH PANEL)</p>  <p>CONNECTOR 3551896C1 BODY LOCK 3551897C1</p>				<p><b>CHASSIS GROUND ADAPTER (8806)</b> (LOCATED ON LEFT FRAME RAIL BY AIR DRYER)</p>  <p>CONNECTOR 3551896C1 BODY LOCK 3551897C1</p>																																																																																																									
<table border="1" style="width:100%; border-collapse: collapse; font-size: x-small;"> <thead> <tr> <th>CAV</th> <th>CIR</th> <th>GAUGE</th> <th>COLOR</th> <th>TERMINAL</th> <th>SEAL/SLEEVE</th> </tr> </thead> <tbody> <tr><td>A</td><td>N110Z</td><td>16</td><td>TN</td><td>2033819C1</td><td>1652325C1</td></tr> <tr><td>B</td><td>N108ZA</td><td>16</td><td>TN</td><td>2033819C1</td><td>1652325C1</td></tr> <tr><td>C</td><td>N108ZB</td><td>16</td><td>TN</td><td>2033819C1</td><td>1652325C1</td></tr> <tr><td>D</td><td>N108Z</td><td>16</td><td>TN</td><td>2033819C1</td><td>1652325C1</td></tr> <tr><td>E</td><td>PLUG</td><td>-</td><td>-</td><td>0587579C1</td><td>-</td></tr> <tr><td>F</td><td>PLUG</td><td>-</td><td>-</td><td>0587579C1</td><td>-</td></tr> </tbody> </table>				CAV	CIR	GAUGE	COLOR	TERMINAL	SEAL/SLEEVE	A	N110Z	16	TN	2033819C1	1652325C1	B	N108ZA	16	TN	2033819C1	1652325C1	C	N108ZB	16	TN	2033819C1	1652325C1	D	N108Z	16	TN	2033819C1	1652325C1	E	PLUG	-	-	0587579C1	-	F	PLUG	-	-	0587579C1	-	<table border="1" style="width:100%; border-collapse: collapse; font-size: x-small;"> <thead> <tr> <th>CAV</th> <th>CIR</th> <th>GAUGE</th> <th>COLOR</th> <th>TERMINAL</th> <th>SEAL/SLEEVE</th> </tr> </thead> <tbody> <tr><td>A</td><td>N107-GB</td><td>18</td><td>TN</td><td>2033819C1</td><td>3517771C1</td></tr> <tr><td>B</td><td>N107-GA</td><td>18</td><td>TN</td><td>2033819C1</td><td>1652325C1</td></tr> <tr><td>C</td><td>N107-GC</td><td>18</td><td>TN</td><td>2033819C1</td><td>1652325C1</td></tr> <tr><td>D</td><td>N11-GU</td><td>16</td><td>WH</td><td>2033819C1</td><td>1652325C1</td></tr> <tr><td>E</td><td>N11-GJ</td><td>16</td><td>WH</td><td>2033819C1</td><td>1652325C1</td></tr> <tr><td>F</td><td>PLUG</td><td>-</td><td>-</td><td>0587579C1</td><td>-</td></tr> </tbody> </table>				CAV	CIR	GAUGE	COLOR	TERMINAL	SEAL/SLEEVE	A	N107-GB	18	TN	2033819C1	3517771C1	B	N107-GA	18	TN	2033819C1	1652325C1	C	N107-GC	18	TN	2033819C1	1652325C1	D	N11-GU	16	WH	2033819C1	1652325C1	E	N11-GJ	16	WH	2033819C1	1652325C1	F	PLUG	-	-	0587579C1	-																		
CAV	CIR	GAUGE	COLOR	TERMINAL	SEAL/SLEEVE																																																																																																								
A	N110Z	16	TN	2033819C1	1652325C1																																																																																																								
B	N108ZA	16	TN	2033819C1	1652325C1																																																																																																								
C	N108ZB	16	TN	2033819C1	1652325C1																																																																																																								
D	N108Z	16	TN	2033819C1	1652325C1																																																																																																								
E	PLUG	-	-	0587579C1	-																																																																																																								
F	PLUG	-	-	0587579C1	-																																																																																																								
CAV	CIR	GAUGE	COLOR	TERMINAL	SEAL/SLEEVE																																																																																																								
A	N107-GB	18	TN	2033819C1	3517771C1																																																																																																								
B	N107-GA	18	TN	2033819C1	1652325C1																																																																																																								
C	N107-GC	18	TN	2033819C1	1652325C1																																																																																																								
D	N11-GU	16	WH	2033819C1	1652325C1																																																																																																								
E	N11-GJ	16	WH	2033819C1	1652325C1																																																																																																								
F	PLUG	-	-	0587579C1	-																																																																																																								
<p><b>EATON VORAD ANTENNA ASSEMBLY (8900)</b> (LOCATED CENTER OF BUMPER SUPPORT BRACKET)</p>  <p>CONNECTOR 3545577C1 BODY LOCK 3545579C1</p>				<table border="1" style="width:100%; border-collapse: collapse; font-size: x-small;"> <thead> <tr> <th>CAV</th> <th>CIR</th> <th>GAUGE</th> <th>COLOR</th> <th>TERMINAL</th> </tr> </thead> <tbody> <tr><td>1</td><td>M67B</td><td>16</td><td>GY</td><td>1651969C1</td></tr> <tr><td>2</td><td>M67C</td><td>16</td><td>GY</td><td>1651969C1</td></tr> <tr><td>3</td><td>M67D</td><td>16</td><td>GY</td><td>1651969C1</td></tr> <tr><td>4</td><td>M67E</td><td>16</td><td>GY</td><td>1651969C1</td></tr> </tbody> </table>				CAV	CIR	GAUGE	COLOR	TERMINAL	1	M67B	16	GY	1651969C1	2	M67C	16	GY	1651969C1	3	M67D	16	GY	1651969C1	4	M67E	16	GY	1651969C1																																																																													
CAV	CIR	GAUGE	COLOR	TERMINAL																																																																																																									
1	M67B	16	GY	1651969C1																																																																																																									
2	M67C	16	GY	1651969C1																																																																																																									
3	M67D	16	GY	1651969C1																																																																																																									
4	M67E	16	GY	1651969C1																																																																																																									
CHK	DATE	CHANGE	REV	REFERENCE	DRAWN	NAME																																																																																																							
0488	20MAY14	REVISED AND REDRAWN.	E	92447S	300422	CIRCUIT DIAGRAM, PROSTAR, LONESTAR																																																																																																							
RELEASE NO.					DATE	PART NO.	SHEET																																																																																																						
61802Y					12MAR09	AE08058107	109																																																																																																						

Figure 568 Connector Body Composite (8800), (8802), (8803), (8804), (8805), (8806), (8900)



14.189. CONNECTOR BODY COMPOSITE (8901), (8902), (8903), (8904), P. 110

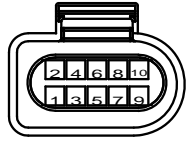
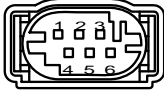
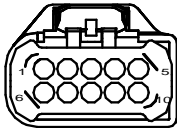
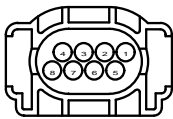
<b>NAVISTAR, INC</b>				<b>ELECTRICAL CIRCUIT DIAGRAM</b>		<b>CHAPTER 14</b>																																																																															
THIS PRINT IS PROVIDED ON A RESTRICTED BASIS AND IS NOT TO BE USED IN ANY WAY DETRIMENTAL TO THE INTEREST OF NAVISTAR, INC.				CONNECTOR BODY COMPOSITE - MATING VIEW SHOWN																																																																																	
<p>EATON VORAD VS - 400 FORWARD RADAR (8901) (LOCATED ON FRONT CROSSMEMBER)</p>  <p>CONNECTOR 3673402C1</p>				<table border="1" style="width:100%; border-collapse: collapse; font-size: x-small;"> <thead> <tr> <th>CAV</th><th>CIRC</th><th>GAUGE</th><th>COLOR</th><th>TERMINAL</th><th>SEAL/SLEEVE</th></tr> </thead> <tbody> <tr><td>1</td><td>PLUG</td><td>-</td><td>-</td><td>3577744C1</td><td>-</td></tr> <tr><td>2</td><td>PLUG</td><td>-</td><td>-</td><td>3577744C1</td><td>-</td></tr> <tr><td>3</td><td>PLUG</td><td>-</td><td>-</td><td>3577744C1</td><td>-</td></tr> <tr><td>4</td><td>M5UE(+)</td><td>18</td><td>YL</td><td>3673404C1</td><td>3573653C1</td></tr> <tr><td>5</td><td>M5UE(-)</td><td>18</td><td>GN</td><td>3673404C1</td><td>3573653C1</td></tr> <tr><td>6</td><td>PLUG</td><td>-</td><td>-</td><td>3577744C1</td><td>-</td></tr> <tr><td>7</td><td>PLUG</td><td>-</td><td>-</td><td>3577744C1</td><td>-</td></tr> <tr><td>8</td><td>PLUG</td><td>-</td><td>-</td><td>3577744C1</td><td>-</td></tr> <tr><td>9</td><td>M67-GY</td><td>18</td><td>WH</td><td>3673404C1</td><td>3573653C1</td></tr> <tr><td>10</td><td>M67Y</td><td>18</td><td>PK</td><td>3673404C1</td><td>3573653C1</td></tr> </tbody> </table>				CAV	CIRC	GAUGE	COLOR	TERMINAL	SEAL/SLEEVE	1	PLUG	-	-	3577744C1	-	2	PLUG	-	-	3577744C1	-	3	PLUG	-	-	3577744C1	-	4	M5UE(+)	18	YL	3673404C1	3573653C1	5	M5UE(-)	18	GN	3673404C1	3573653C1	6	PLUG	-	-	3577744C1	-	7	PLUG	-	-	3577744C1	-	8	PLUG	-	-	3577744C1	-	9	M67-GY	18	WH	3673404C1	3573653C1	10	M67Y	18	PK	3673404C1	3573653C1												
CAV	CIRC	GAUGE	COLOR	TERMINAL	SEAL/SLEEVE																																																																																
1	PLUG	-	-	3577744C1	-																																																																																
2	PLUG	-	-	3577744C1	-																																																																																
3	PLUG	-	-	3577744C1	-																																																																																
4	M5UE(+)	18	YL	3673404C1	3573653C1																																																																																
5	M5UE(-)	18	GN	3673404C1	3573653C1																																																																																
6	PLUG	-	-	3577744C1	-																																																																																
7	PLUG	-	-	3577744C1	-																																																																																
8	PLUG	-	-	3577744C1	-																																																																																
9	M67-GY	18	WH	3673404C1	3573653C1																																																																																
10	M67Y	18	PK	3673404C1	3573653C1																																																																																
<p>WABCO RADAR (8902)</p>  <p>CONNECTOR 3702847C1</p>				<table border="1" style="width:100%; border-collapse: collapse; font-size: x-small;"> <thead> <tr> <th>CAV</th><th>CIRC</th><th>GAUGE</th><th>COLOR</th><th>TERMINAL</th></tr> </thead> <tbody> <tr><td>1</td><td>M67CA</td><td>20</td><td>PK</td><td>3702881C1</td></tr> <tr><td>2</td><td>-</td><td>-</td><td>-</td><td>-</td></tr> <tr><td>3</td><td>-</td><td>-</td><td>-</td><td>-</td></tr> <tr><td>4</td><td>M5UF(+)</td><td>20</td><td>YL</td><td>3702881C1</td></tr> <tr><td>5</td><td>M5UF(-)</td><td>20</td><td>LT GN</td><td>3702881C1</td></tr> <tr><td>6</td><td>M67-GA</td><td>20</td><td>WH</td><td>3702881C1</td></tr> </tbody> </table>				CAV	CIRC	GAUGE	COLOR	TERMINAL	1	M67CA	20	PK	3702881C1	2	-	-	-	-	3	-	-	-	-	4	M5UF(+)	20	YL	3702881C1	5	M5UF(-)	20	LT GN	3702881C1	6	M67-GA	20	WH	3702881C1																																											
CAV	CIRC	GAUGE	COLOR	TERMINAL																																																																																	
1	M67CA	20	PK	3702881C1																																																																																	
2	-	-	-	-																																																																																	
3	-	-	-	-																																																																																	
4	M5UF(+)	20	YL	3702881C1																																																																																	
5	M5UF(-)	20	LT GN	3702881C1																																																																																	
6	M67-GA	20	WH	3702881C1																																																																																	
<p>BENDIX WINGMAN (8903)</p>  <p>CONNECTOR 6111813C1</p> <p style="font-size: x-small;">% W/ BENDIX WINGMAN # W/ BENDIX WINGMAN W/ SMARTWAVE TPMS 2010 * W/ BENDIX FUSION</p>				<table border="1" style="width:100%; border-collapse: collapse; font-size: x-small;"> <thead> <tr> <th>CAV</th><th>CIRC</th><th>GAUGE</th><th>COLOR</th><th>TERMINAL</th><th>SEAL/SLEEVE</th></tr> </thead> <tbody> <tr><td>%1</td><td>M5B(+)</td><td>20</td><td>YL</td><td>3987168C1</td><td>3987169C1</td></tr> <tr><td>#1</td><td>M5B(+)</td><td>20</td><td>YL</td><td>3987168C1</td><td>3987169C1</td></tr> <tr><td>2</td><td>A5UE(+)</td><td>18</td><td>YL</td><td>3987168C1</td><td>4062195C1</td></tr> <tr><td>3</td><td>PLUG</td><td>-</td><td>-</td><td>-</td><td>-</td></tr> <tr><td>4</td><td>PLUG</td><td>-</td><td>-</td><td>-</td><td>-</td></tr> <tr><td>5</td><td>M67-GA</td><td>20</td><td>WH</td><td>3987168C1</td><td>3987169C1</td></tr> <tr><td>%6</td><td>M5B(-)</td><td>20</td><td>LT GN</td><td>3987168C1</td><td>3987169C1</td></tr> <tr><td>#6</td><td>M5B(-)</td><td>20</td><td>LT GN</td><td>3987168C1</td><td>3987169C1</td></tr> <tr><td>7</td><td>A5UE(-)</td><td>18</td><td>GN</td><td>3987168C1</td><td>4062195C1</td></tr> <tr><td>8</td><td>M67AA</td><td>20</td><td>PK</td><td>3987168C1</td><td>3987169C1</td></tr> <tr><td>9</td><td>PLUG</td><td>-</td><td>-</td><td>-</td><td>-</td></tr> <tr><td>10</td><td>PLUG</td><td>-</td><td>-</td><td>-</td><td>-</td></tr> </tbody> </table>				CAV	CIRC	GAUGE	COLOR	TERMINAL	SEAL/SLEEVE	%1	M5B(+)	20	YL	3987168C1	3987169C1	#1	M5B(+)	20	YL	3987168C1	3987169C1	2	A5UE(+)	18	YL	3987168C1	4062195C1	3	PLUG	-	-	-	-	4	PLUG	-	-	-	-	5	M67-GA	20	WH	3987168C1	3987169C1	%6	M5B(-)	20	LT GN	3987168C1	3987169C1	#6	M5B(-)	20	LT GN	3987168C1	3987169C1	7	A5UE(-)	18	GN	3987168C1	4062195C1	8	M67AA	20	PK	3987168C1	3987169C1	9	PLUG	-	-	-	-	10	PLUG	-	-	-	-
CAV	CIRC	GAUGE	COLOR	TERMINAL	SEAL/SLEEVE																																																																																
%1	M5B(+)	20	YL	3987168C1	3987169C1																																																																																
#1	M5B(+)	20	YL	3987168C1	3987169C1																																																																																
2	A5UE(+)	18	YL	3987168C1	4062195C1																																																																																
3	PLUG	-	-	-	-																																																																																
4	PLUG	-	-	-	-																																																																																
5	M67-GA	20	WH	3987168C1	3987169C1																																																																																
%6	M5B(-)	20	LT GN	3987168C1	3987169C1																																																																																
#6	M5B(-)	20	LT GN	3987168C1	3987169C1																																																																																
7	A5UE(-)	18	GN	3987168C1	4062195C1																																																																																
8	M67AA	20	PK	3987168C1	3987169C1																																																																																
9	PLUG	-	-	-	-																																																																																
10	PLUG	-	-	-	-																																																																																
<p>SUNSHADE (8904)</p>  <p>CONNECTOR 3852527C1</p>				<table border="1" style="width:100%; border-collapse: collapse; font-size: x-small;"> <thead> <tr> <th>CAV</th><th>CIRC</th><th>GAUGE</th><th>COLOR</th><th>TERMINAL</th><th>SEAL/SLEEVE</th></tr> </thead> <tbody> <tr><td>1</td><td>M67YB</td><td>20</td><td>PK</td><td>3702881C1</td><td>3600327C1</td></tr> <tr><td>2</td><td>M67YC</td><td>20</td><td>PK</td><td>3702881C1</td><td>3600327C1</td></tr> <tr><td>3</td><td>M5UF(+)</td><td>20</td><td>YL</td><td>3702881C1</td><td>3600327C1</td></tr> <tr><td>4</td><td>PLUG</td><td>-</td><td>-</td><td>-</td><td>-</td></tr> <tr><td>5</td><td>PLUG</td><td>-</td><td>-</td><td>-</td><td>-</td></tr> <tr><td>6</td><td>M5UF(-)</td><td>20</td><td>GN</td><td>3702881C1</td><td>3600327C1</td></tr> <tr><td>7</td><td>PLUG</td><td>-</td><td>-</td><td>-</td><td>-</td></tr> <tr><td>8</td><td>M67-G</td><td>20</td><td>WH</td><td>3702881C1</td><td>3600327C1</td></tr> </tbody> </table>				CAV	CIRC	GAUGE	COLOR	TERMINAL	SEAL/SLEEVE	1	M67YB	20	PK	3702881C1	3600327C1	2	M67YC	20	PK	3702881C1	3600327C1	3	M5UF(+)	20	YL	3702881C1	3600327C1	4	PLUG	-	-	-	-	5	PLUG	-	-	-	-	6	M5UF(-)	20	GN	3702881C1	3600327C1	7	PLUG	-	-	-	-	8	M67-G	20	WH	3702881C1	3600327C1																								
CAV	CIRC	GAUGE	COLOR	TERMINAL	SEAL/SLEEVE																																																																																
1	M67YB	20	PK	3702881C1	3600327C1																																																																																
2	M67YC	20	PK	3702881C1	3600327C1																																																																																
3	M5UF(+)	20	YL	3702881C1	3600327C1																																																																																
4	PLUG	-	-	-	-																																																																																
5	PLUG	-	-	-	-																																																																																
6	M5UF(-)	20	GN	3702881C1	3600327C1																																																																																
7	PLUG	-	-	-	-																																																																																
8	M67-G	20	WH	3702881C1	3600327C1																																																																																
CHK	DATE	CHANGE	REV	REFERENCE	DRAWN	NAME																																																																															
0488	14AUG15	ADDED R/D 8904. MOVED	F	93156B	300422	CIRCUIT DIAGRAM, PROSTAR, LONESTAR																																																																															
					RELEASE NO.	DATE	PART NO.	SHEET																																																																													
					61802Y	29APR09	AE08058107	110																																																																													

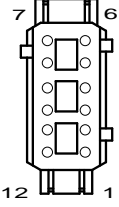
Figure 569 Connector Body Composite (8901), (8902), (8903), (8904)

14.190. CONNECTOR BODY COMPOSITE (8950), (8951), (8952), P. 111

<p style="text-align: center;"><b>NAVISTAR, INC</b></p> <p style="font-size: small;">THIS PRINT IS PROVIDED ON A RESTRICTED BASIS AND IS NOT TO BE USED IN ANY WAY DETRIMENTAL TO THE INTEREST OF NAVISTAR, INC.</p>	<p style="text-align: center;"><b>ELECTRICAL CIRCUIT DIAGRAM</b></p> <p style="text-align: right;"><b>CHAPTER 14</b></p> <p style="text-align: center;">CONNECTOR BODY COMPOSITE - MATING VIEW SHOWN</p>
--	--

VEHICLE SENSOR MOD CONNECTOR 1  
(8950)  
(LOCATED ON CAB SUPPORT CROSSMEMBER (DAY CAB)  
OR UNDER CAB CROSSMEMBER (SLEEPER))



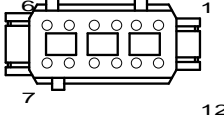
CONNECTOR 3553404C1  
BODY LOCK 3553460C1

CAV	CIRC	GAUGE	COLOR	TERMINAL
1	PLUG	-	-	3527276C1
2	PLUG	-	-	3527276C1
3	PLUG	-	-	3527276C1
4	PLUG	-	-	3527276C1
5	N5UA(+)	18	YL	3518963C1
5*	N5UD(+)	18	YL	3518963C1
6	N5UA(-)	18	GN	3518963C1
6*	N5UD(-)	18	GN	3518963C1
7	N11-GU	16	WH	3518963C1
8	N14U	16	RD	3518963C1
9**	N12UB	16	PK	3518963C1
9	N12U	16	PK	3518963C1
10	N108Z	16	TN	3518963C1
11	N108V	16	TN	3518963C1
12	N110B	18	TN	3518963C1

\* W/ VORAD VS-400 (LONESTAR)  
\*\* W/ FUEL FILTER SENSOR (LONESTAR)

VEHICLE SENSOR MOD CONNECTOR 1  
(8951)  
(LOCATED ON CAB SUPPORT CROSSMEMBER (DAY CAB)  
OR UNDER CAB CROSSMEMBER (SLEEPER))

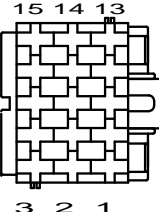


CONNECTOR 3586750C1  
BODY LOCK 3553460C1

CAV	CIRC	GAUGE	COLOR	TERMINAL
1	N107C	18	TN	3518963C1
2	N107B	18	TN	3518963C1
3	N107A	18	TN	3518963C1
4	PLUG	-	-	3527276C1
5	N108A	18	TN	3518963C1
6	N108B	18	TN	3518963C1
7	N108C	18	TN	3518963C1
8	N108D	18	TN	3518963C1
9	N108E	18	TN	3518963C1
10	N108F	18	TN	3518963C1
11	PLUG	-	-	3527276C1
12	PLUG	-	-	3527276C1

TIRE PRESSURE MONITORING  
SYSTEM (TPMS) CONTROLLER  
(8952)  
(LOCATED ON MODULE BRACKET (IN CAM))



BODY LOCK 3596928C1

CAV	CIRC	GAUGE	COLOR	TERMINAL
1	D22-G	18	WH	3598072C1
2	D22E	18	TN	3598072C1
3	D22D	18	TN	3598072C1
4	D22C	18	TN	3598072C1
5	D22B	18	TN	3598072C1
6	D22A	18	TN	3598072C1
7	D22VC	18	TN	3598072C1
8	D22VB	18	TN	3598072C1
9	D22VA	18	TN	3598072C1
10	D22ZA	18	TN	3598072C1
11	D22ZB	18	TN	3598072C1
12	D22ZC	18	TN	3598072C1
13	D5 (+)	18	GN	3598072C1
14	-	-	-	-
15	D5 (-)	18	YL	3598072C1

CHK	DATE	CHANGE	REV	REFERENCE	DRAWN	NAME
0488	14AUG15	ADDED R/D 8950.	F	93156B	300422	CIRCUIT DIAGRAM, PROSTAR, LONESTAR
					RELEASE NO.	DATE
					61802Y	29APR09
					PART NO.	SHEET
					AE08058107	111

Figure 570 Connector Body Composite (8950), (8951), (8952)

14.191. CONNECTOR BODY COMPOSITE (8953F), (8953M), (8954), (8954M), (8956), P. 112

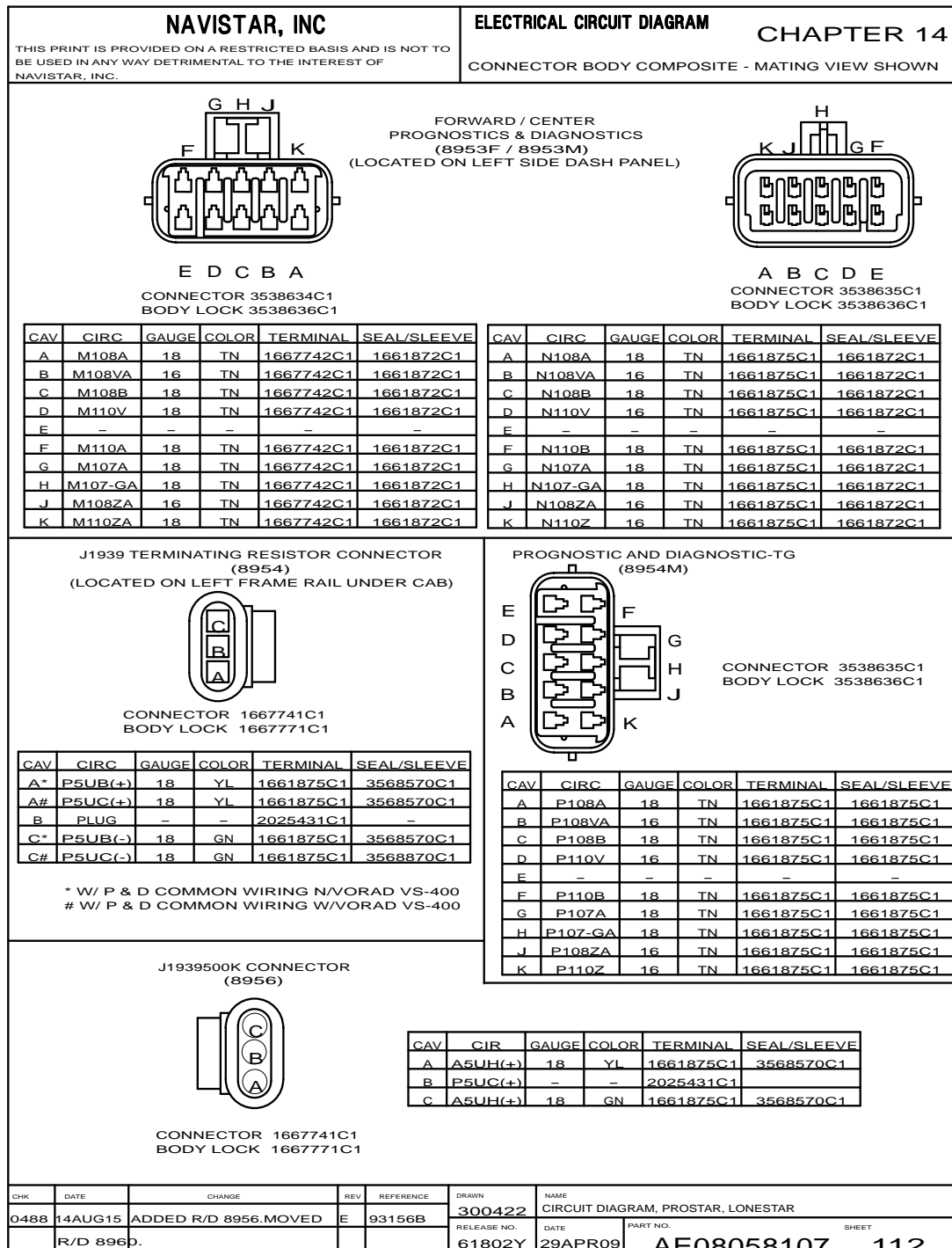


Figure 571 Connector Body Composite (8953F), (8953M), (8954), (8954M), (8956)

14.192. CONNECTOR BODY COMPOSITE (8961), (8962), (8963), (8964), (8965), (8966), (8967), P. 113

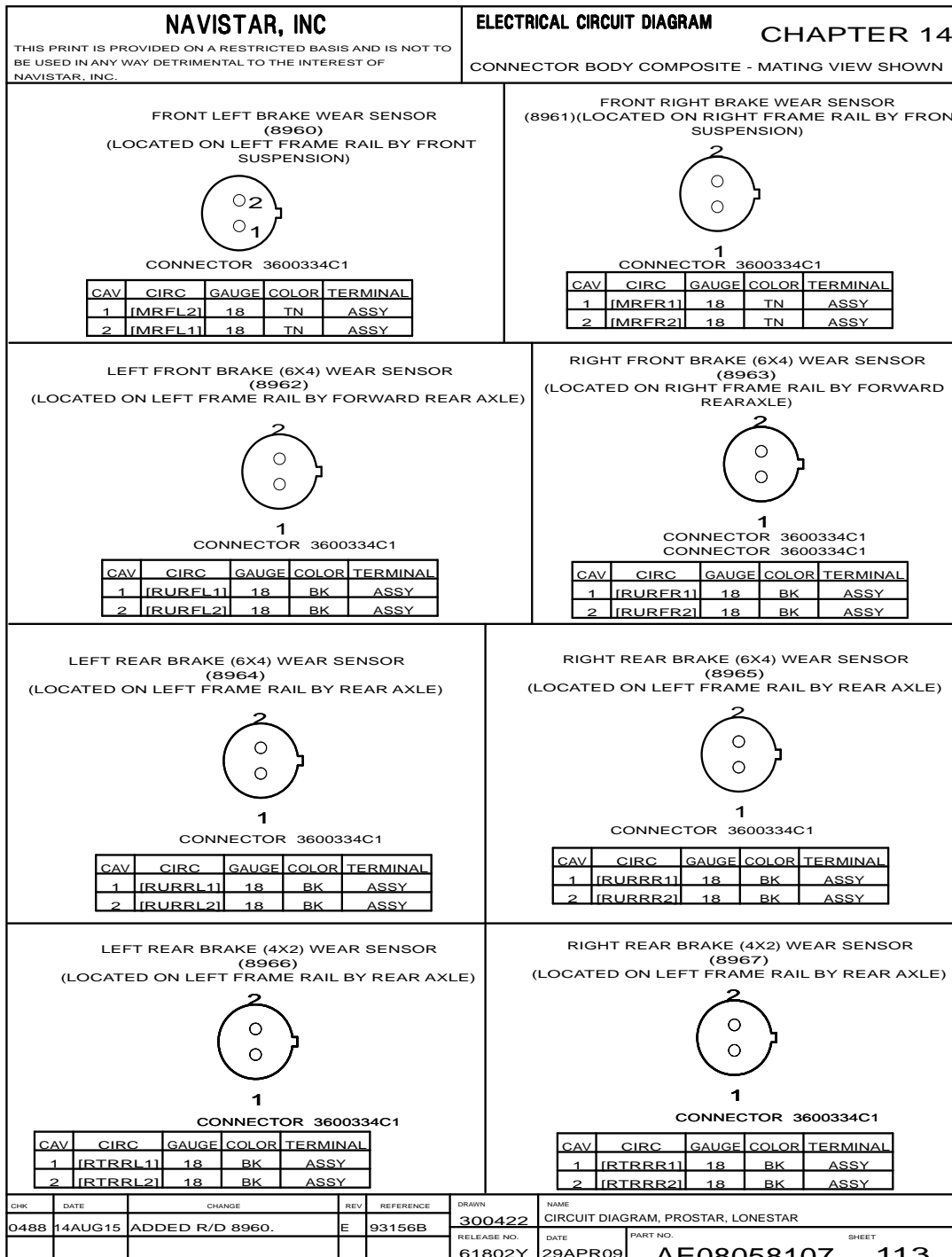


Figure 572 Connector Body Composite (8961), (8962), (8963), (8964), (8965), (8966), (8967)

14.193. CONNECTOR BODY COMPOSITE (8970), (8971), (8972), (8973), P. 114

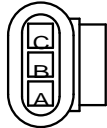
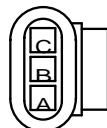
<b>NAVISTAR, INC</b>				<b>ELECTRICAL CIRCUIT DIAGRAM</b>		<b>CHAPTER 14</b>																									
THIS PRINT IS PROVIDED ON A RESTRICTED BASIS AND IS NOT TO BE USED IN ANY WAY DETRIMENTAL TO THE INTEREST OF NAVISTAR, INC.				CONNECTOR BODY COMPOSITE - MATING VIEW SHOWN																											
<p><b>FRONT LEFT BRAKE STROKE (8970)</b> (LOCATED ON LEFT FRAME RAIL BY FRONT AXLE)</p>																															
				<table border="1" style="width: 100%; border-collapse: collapse; font-size: x-small;"> <thead> <tr> <th>CAV</th> <th>CIRC</th> <th>GAUGE</th> <th>COLOR</th> <th>TERMINAL</th> <th>SEAL/SLEEVE</th> </tr> </thead> <tbody> <tr> <td>A</td> <td>M108VD</td> <td>18</td> <td>TN</td> <td>1661875C1</td> <td>1661872C1</td> </tr> <tr> <td>B</td> <td>M108ZD</td> <td>18</td> <td>TN</td> <td>1661875C1</td> <td>1661872C1</td> </tr> <tr> <td>C</td> <td>M108A</td> <td>18</td> <td>TN</td> <td>1661875C1</td> <td>1661872C1</td> </tr> </tbody> </table>				CAV	CIRC	GAUGE	COLOR	TERMINAL	SEAL/SLEEVE	A	M108VD	18	TN	1661875C1	1661872C1	B	M108ZD	18	TN	1661875C1	1661872C1	C	M108A	18	TN	1661875C1	1661872C1
CAV	CIRC	GAUGE	COLOR	TERMINAL	SEAL/SLEEVE																										
A	M108VD	18	TN	1661875C1	1661872C1																										
B	M108ZD	18	TN	1661875C1	1661872C1																										
C	M108A	18	TN	1661875C1	1661872C1																										
CONNECTOR 1667741C1 BODY LOCK 1667771C1																															
<p><b>FRONT RIGHT BRAKE STROKE (8971)</b> (LOCATED ON RIGHT FRAME RAIL BY FRONT AXLE)</p>																															
				<table border="1" style="width: 100%; border-collapse: collapse; font-size: x-small;"> <thead> <tr> <th>CAV</th> <th>CIRC</th> <th>GAUGE</th> <th>COLOR</th> <th>TERMINAL</th> <th>SEAL/SLEEVE</th> </tr> </thead> <tbody> <tr> <td>A</td> <td>M108VC</td> <td>18</td> <td>TN</td> <td>1661875C1</td> <td>1661872C1</td> </tr> <tr> <td>B</td> <td>M108ZC</td> <td>18</td> <td>TN</td> <td>1661875C1</td> <td>1661872C1</td> </tr> <tr> <td>C</td> <td>M108B</td> <td>18</td> <td>TN</td> <td>1661875C1</td> <td>1661872C1</td> </tr> </tbody> </table>				CAV	CIRC	GAUGE	COLOR	TERMINAL	SEAL/SLEEVE	A	M108VC	18	TN	1661875C1	1661872C1	B	M108ZC	18	TN	1661875C1	1661872C1	C	M108B	18	TN	1661875C1	1661872C1
CAV	CIRC	GAUGE	COLOR	TERMINAL	SEAL/SLEEVE																										
A	M108VC	18	TN	1661875C1	1661872C1																										
B	M108ZC	18	TN	1661875C1	1661872C1																										
C	M108B	18	TN	1661875C1	1661872C1																										
CONNECTOR 1667741C1 BODY LOCK 1667771C1																															
<p><b>LEFT FR BRAKE STROKE(6X4) (8972)</b> (LOCATED ON LEFT FRAME RAIL BY FORWARD REAR AXLE)</p>																															
				<table border="1" style="width: 100%; border-collapse: collapse; font-size: x-small;"> <thead> <tr> <th>CAV</th> <th>CIRC</th> <th>GAUGE</th> <th>COLOR</th> <th>TERMINAL</th> <th>SEAL/SLEEVE</th> </tr> </thead> <tbody> <tr> <td>A</td> <td>R108VE</td> <td>18</td> <td>TN</td> <td>1661875C1</td> <td>1661872C1</td> </tr> <tr> <td>B</td> <td>R108ZE</td> <td>18</td> <td>TN</td> <td>1661875C1</td> <td>1661872C1</td> </tr> <tr> <td>C</td> <td>R108E</td> <td>18</td> <td>TN</td> <td>1661875C1</td> <td>1661872C1</td> </tr> </tbody> </table>				CAV	CIRC	GAUGE	COLOR	TERMINAL	SEAL/SLEEVE	A	R108VE	18	TN	1661875C1	1661872C1	B	R108ZE	18	TN	1661875C1	1661872C1	C	R108E	18	TN	1661875C1	1661872C1
CAV	CIRC	GAUGE	COLOR	TERMINAL	SEAL/SLEEVE																										
A	R108VE	18	TN	1661875C1	1661872C1																										
B	R108ZE	18	TN	1661875C1	1661872C1																										
C	R108E	18	TN	1661875C1	1661872C1																										
CONNECTOR 1667741C1 BODY LOCK 1667771C1																															
<p><b>RIGHT FR BRAKE STROKE(6X4) (8973)</b> (LOCATED ON RIGHT FRAME RAIL BY FORWARD REAR AXLE)</p>																															
				<table border="1" style="width: 100%; border-collapse: collapse; font-size: x-small;"> <thead> <tr> <th>CAV</th> <th>CIRC</th> <th>GAUGE</th> <th>COLOR</th> <th>TERMINAL</th> <th>SEAL/SLEEVE</th> </tr> </thead> <tbody> <tr> <td>A</td> <td>R108VL</td> <td>18</td> <td>TN</td> <td>1661875C1</td> <td>1661872C1</td> </tr> <tr> <td>B</td> <td>R108ZL</td> <td>18</td> <td>TN</td> <td>1661875C1</td> <td>1661872C1</td> </tr> <tr> <td>C</td> <td>R108F</td> <td>18</td> <td>TN</td> <td>1661875C1</td> <td>1661872C1</td> </tr> </tbody> </table>				CAV	CIRC	GAUGE	COLOR	TERMINAL	SEAL/SLEEVE	A	R108VL	18	TN	1661875C1	1661872C1	B	R108ZL	18	TN	1661875C1	1661872C1	C	R108F	18	TN	1661875C1	1661872C1
CAV	CIRC	GAUGE	COLOR	TERMINAL	SEAL/SLEEVE																										
A	R108VL	18	TN	1661875C1	1661872C1																										
B	R108ZL	18	TN	1661875C1	1661872C1																										
C	R108F	18	TN	1661875C1	1661872C1																										
CONNECTOR 1667741C1 BODY LOCK 1667771C1																															
CHK	DATE	CHANGE	REV	REFERENCE	DRAWN	NAME																									
-	-	REVISED AND REDRAWN.	C	92447S	300422	CIRCUIT DIAGRAM, PROSTAR, LONESTAR																									
					RELEASE NO.	DATE	PART NO. SHEET																								
					61802Y	12MAR09	AE08058107 114																								

Figure 573 Connector Body Composite (8970), (8971), (8972), (8973)

14.194. CONNECTOR BODY COMPOSITE (8974), (8975), (8976), (8977), (8980), (8980A), (8981), P. 115

<b>NAVISTAR, INC</b>				<b>ELECTRICAL CIRCUIT DIAGRAM</b>				<b>CHAPTER 14</b>			
THIS PRINT IS PROVIDED ON A RESTRICTED BASIS AND IS NOT TO BE USED IN ANY WAY DETRIMENTAL TO THE INTEREST OF NAVISTAR, INC.				CONNECTOR BODY COMPOSITE - MATING VIEW SHOWN							
LEFT REAR BRAKE STROKE (6X4) (8974) (LOCATED ON LEFT FRAME RAIL BY REAR AXLE)						RIGHT REAR BRAKE STROKE (6X4) (8975) (LOCATED ON RIGHT RAIL FRAME BY RAER AXLE)					
CONNECTOR 1667741C1 BODY LOCK 1667771C1						CONNECTOR 1667741C1 BODY LOCK 1667771C1					
CAV	CIR	GAUGE	COLOR	TERMINAL	SEAL/SLEEVE	CAV	CIR	GAUGE	COLOR	TERMINAL	SEAL/SLEEVE
A	R108VH	18	TN	1661875C1	1661872C1	A	R108VJ	18	TN	1661875C1	1661872C1
B	R108ZH	18	TN	1661875C1	1661872C1	B	R108ZJ	18	TN	1661875C1	1661872C1
C	R108CA	18	TN	1661875C1	1661872C1	C	R108DA	18	TN	1661875C1	1661872C1
LEFT REAR BRAKE STROKE (4X2) (8976) (LOCATED ON LEFT FRAME RAIL BY REAR AXLE)						RIGHT REAR BRAKE STROKE (4X2) (8977) (LOCATED ON RIGHT FRAME RAIL BY REAR AXLE)					
CONNECTOR 1667741C1 BODY LOCK 1667771C1						CONNECTOR 1667741C1 BODY LOCK 1667771C1					
CAV	CIR	GAUGE	COLOR	TERMINAL	SEAL/SLEEVE	CAV	CIR	GAUGE	COLOR	TERMINAL	SEAL/SLEEVE
A	R108VF	18	TN	1661875C1	1661872C1	A	R108VK	18	TN	1661875C1	1661872C1
B	R108ZF	18	TN	1661875C1	1661872C1	B	R108ZK	18	TN	1661875C1	1661872C1
C	R108C	18	TN	1661875C1	1661872C1	C	R108D	18	TN	1661875C1	1661872C1
FRONT TIRE PRESSURE MONITOR (8980) (LOCATED ON ENGINE CROSS MEMBER)						FRONT TYRE PRESS MONITOR(2010) (8980A) (LOCATED ON MODULE BRACKET)					
CONNECTOR 3600324C1						CONNECTOR 3600324C1					
CAV	CIR	GAUGE	COLOR	TERMINAL	SEAL/SLEEVE	CAV	CIR	GAUGE	COLOR	TERMINAL	SEAL/SLEEVE
1	M22ZA	20	TN	3600325C1	3600327C1	1	MN22ZA	20	TN	3600325C1	3600327C1
2	M22VA	20	TN	3600325C1	3600327C1	2	MN22VA	20	TN	3600325C1	3600327C1
3	M22A	20	TN	3600325C1	3600327C1	3	MN22A	20	TN	3600325C1	3600327C1
4	PLUG	-	-	3600328C1	-	4	PLUG	-	-	3600328C1	-
LEFT REAR TIRE PRESSURE MONITOR (8981) (LOCATED ON LEFT FRAME RAIL BY REAR AXLE(S))											
CONNECTOR 3600324C1						CONNECTOR 3600324C1					
CAV	CIR	GAUGE	COLOR	TERMINAL	SEAL/SLEEVE	CAV	CIR	GAUGE	COLOR	TERMINAL	SEAL/SLEEVE
1	R22ZB	20	TN	3600325C1	3600327C1	1	R22ZB	20	TN	3600325C1	3600327C1
2	R22VB	20	TN	3600325C1	3600327C1	2	R22VB	20	TN	3600325C1	3600327C1
3	R22B	20	TN	3600325C1	3600327C1	3	R22B	20	TN	3600325C1	3600327C1
4	PLUG	-	-	3600328C1	-	4	PLUG	-	-	3600328C1	-
CHK	DATE	CHANGE	REV	REFERENCE	DRAWN	NAME					
-	-	REVISED AND REDRAWN.	C	92447S	300422	CIRCUIT DIAGRAM, PROSTAR.					
					RELEASE NO.	DATE	PART NO.	SHEET			
					61802Y	12MAR09	AE08058107	115			

Figure 574 Connector Body Composite (8974), (8975), (8976), (8977), (8980), (8980A), (8981)

14.195. CONNECTOR BODY COMPOSITE (8982), (8983), (8984), (8993F), (8993G), P. 116

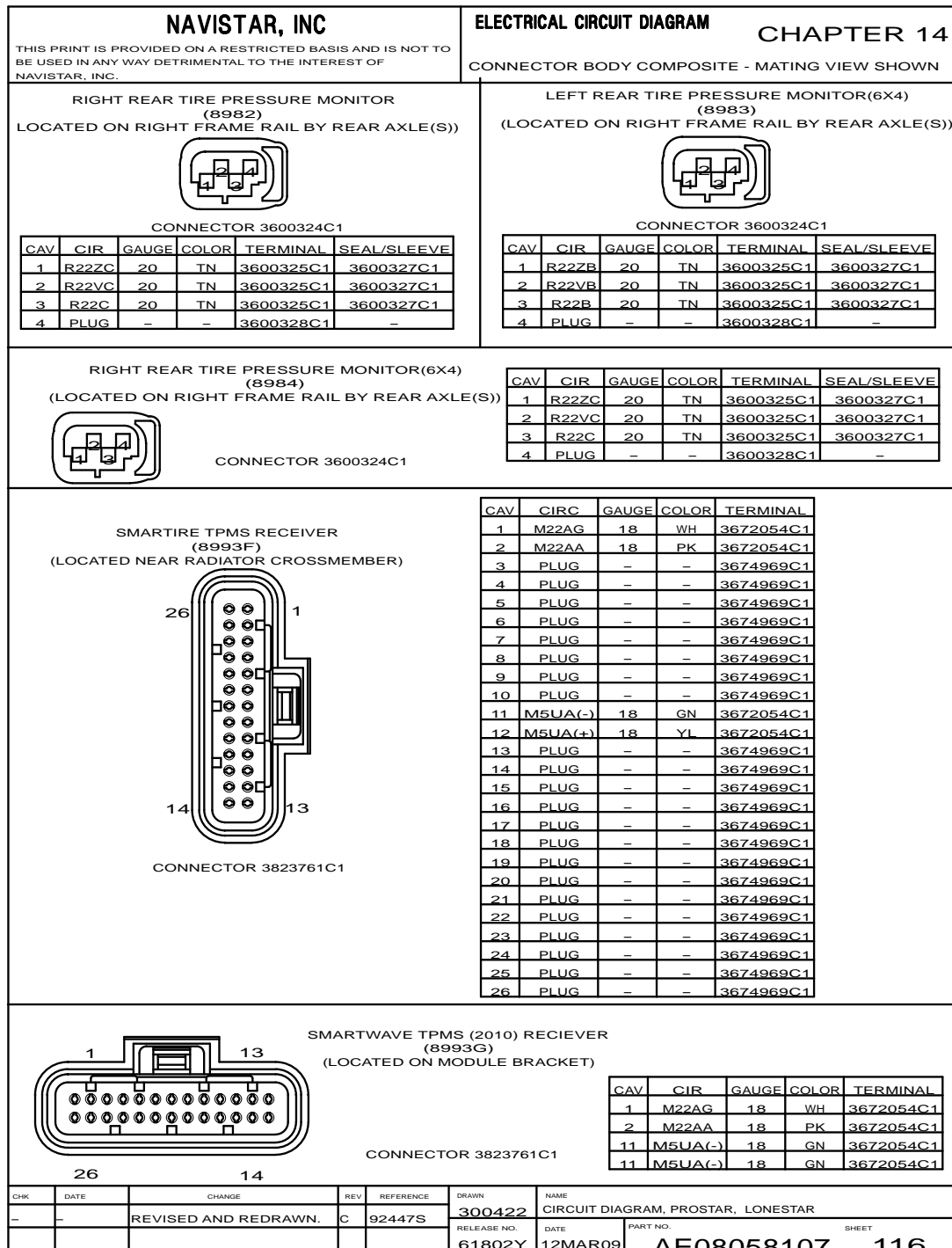


Figure 575 Connector Body Composite (8982), (8983), (8984), (8993F), (8993G)

14.196. CONNECTOR BODY COMPOSITE (9103A), (9253), (9260), (9303), (9303A), (9303B), (9303C), (9303D), P. 117

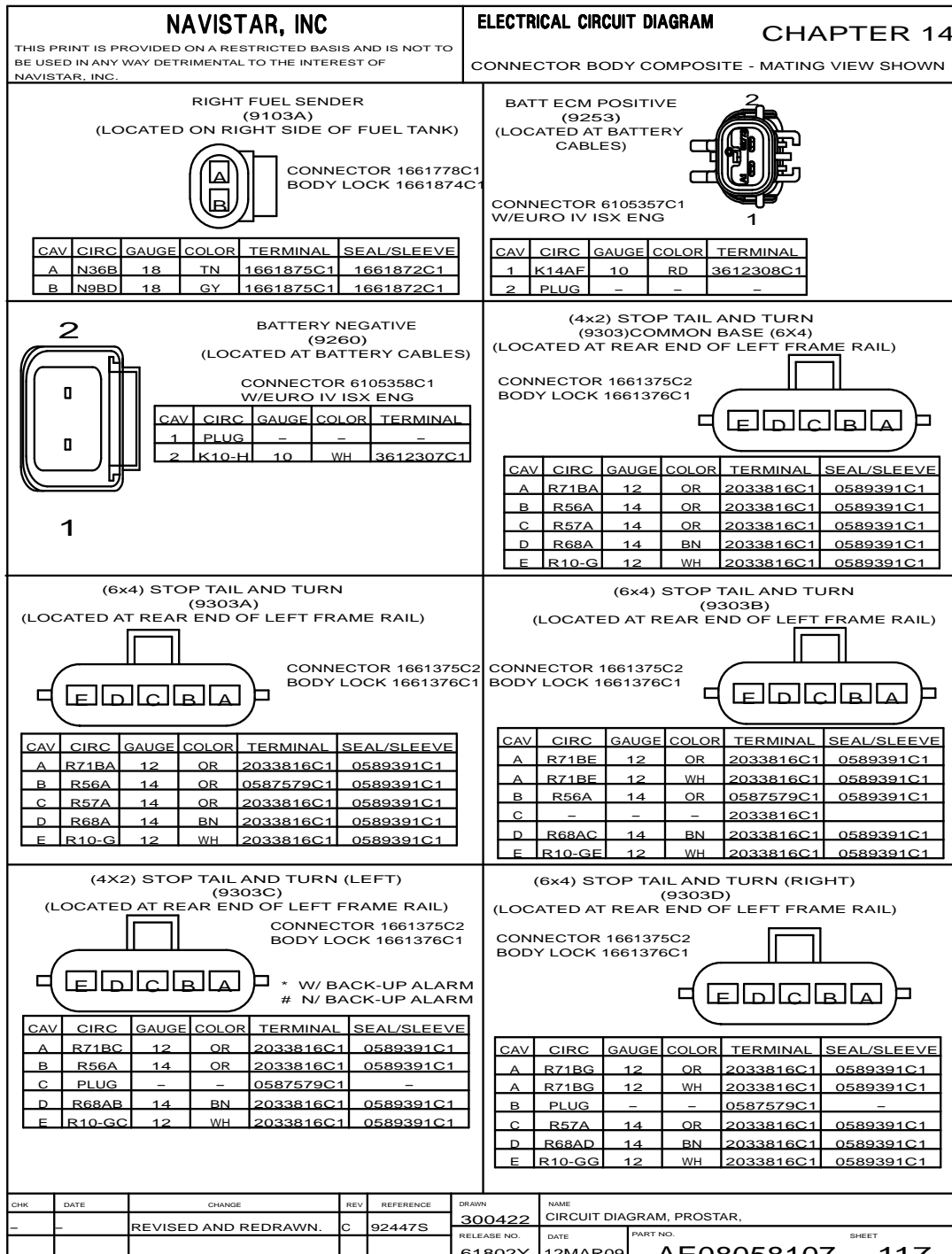


Figure 576 Connector Body Composite (9103A), (9253), (9260), (9303), (9303A), (9303B), (9303C), (9303D)



14.197. CONNECTOR BODY COMPOSITE (9303E), (9303F), (9303G), (9303K), (9303L), (9303M), P. 118

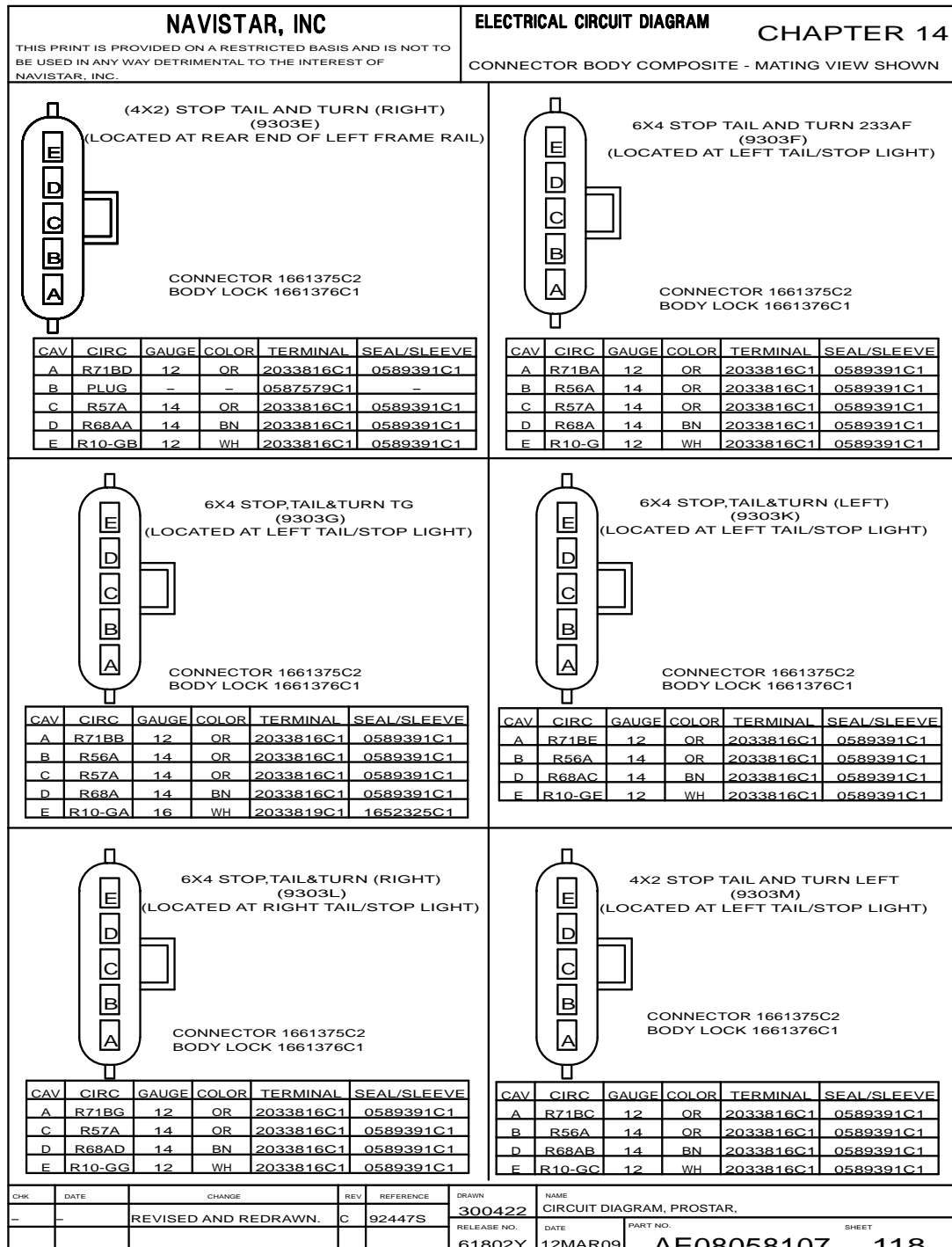


Figure 577 Connector Body Composite (9303E), (9303F), (9303G), (9303K), (9303L), (9303M)

14.198. CONNECTOR BODY COMPOSITE (9304A), (9305), (9305A), (9306), P. 119

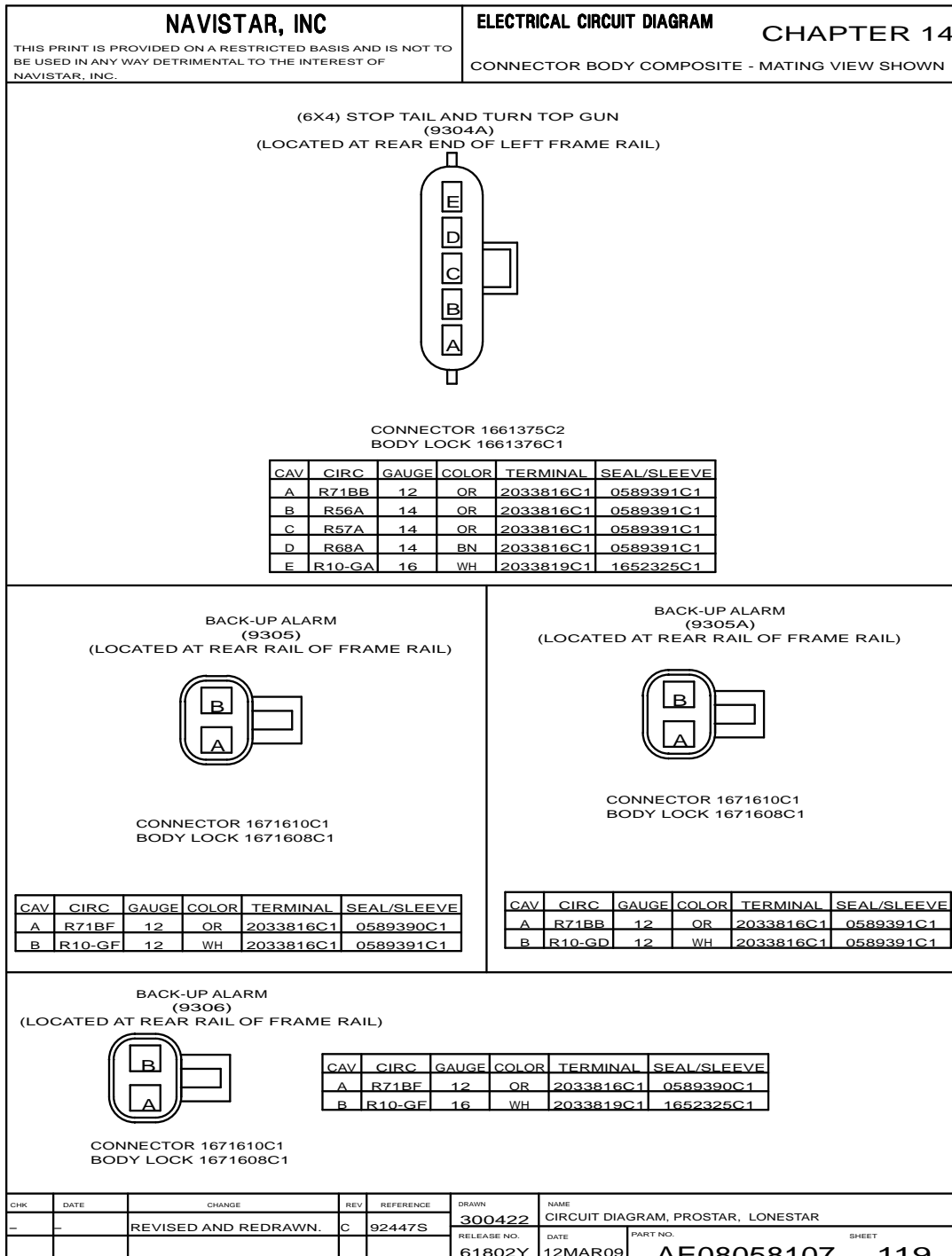


Figure 578 Connector Body Composite (9304A), (9305), (9305A), (9306)

14.199. CONNECTOR BODY COMPOSITE (9501), (9501D), (9501E), (9502), (9502A), (9502B), (9502C), (9502D), (9502E), (9502F), P. 120

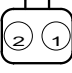
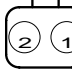
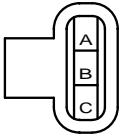
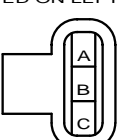
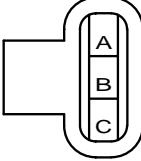
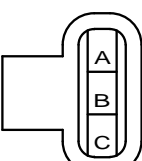
<b>NAVISTAR, INC</b>				<b>ELECTRICAL CIRCUIT DIAGRAM</b>				<b>CHAPTER 14</b>																																																																					
THIS PRINT IS PROVIDED ON A RESTRICTED BASIS AND IS NOT TO BE USED IN ANY WAY DETRIMENTAL TO THE INTEREST OF NAVISTAR, INC.				CONNECTOR BODY COMPOSITE - MATING VIEW SHOWN																																																																									
BENDIX LEFT WHEEL SPEED SENSOR (4X2) (9501) (LOCATED ON LEFT FRAME RAIL BY REAR AXLE)						BENDIX RR LEFT WHEEL SPEED SENSOR (6X4) (9501D / 9501E) (LOCATED ON LEFT FRAME RAIL BY REAR AXLE)																																																																							
																																																																													
CONNECTOR 1684261C1 BODY LOCK 1684263C1						CONNECTOR 1684261C1 BODY LOCK 1684263C1																																																																							
<table border="1" style="width:100%; border-collapse: collapse; font-size: x-small;"> <thead> <tr> <th>CAV</th> <th>CIRC</th> <th>GAUGE</th> <th>COLOR</th> <th>TERMINAL</th> </tr> </thead> <tbody> <tr> <td>1</td> <td>R94BD</td> <td>16</td> <td>GY</td> <td>1680205C1</td> </tr> <tr> <td>2</td> <td>R94BE</td> <td>16</td> <td>GY</td> <td>1680205C1</td> </tr> </tbody> </table>						CAV	CIRC	GAUGE	COLOR	TERMINAL	1	R94BD	16	GY	1680205C1	2	R94BE	16	GY	1680205C1	<table border="1" style="width:100%; border-collapse: collapse; font-size: x-small;"> <thead> <tr> <th>CAV</th> <th>CIRC</th> <th>GAUGE</th> <th>COLOR</th> <th>TERMINAL</th> </tr> </thead> <tbody> <tr> <td>1*</td> <td>R94BD</td> <td>16</td> <td>GY</td> <td>1680205C1</td> </tr> <tr> <td>1*</td> <td>R94BO</td> <td>16</td> <td>GY</td> <td>1680205C1</td> </tr> <tr> <td>2*</td> <td>R94BE</td> <td>16</td> <td>GY</td> <td>1680205C1</td> </tr> <tr> <td>2*</td> <td>R94BR</td> <td>16</td> <td>GY</td> <td>1680205C1</td> </tr> </tbody> </table>						CAV	CIRC	GAUGE	COLOR	TERMINAL	1*	R94BD	16	GY	1680205C1	1*	R94BO	16	GY	1680205C1	2*	R94BE	16	GY	1680205C1	2*	R94BR	16	GY	1680205C1																										
CAV	CIRC	GAUGE	COLOR	TERMINAL																																																																									
1	R94BD	16	GY	1680205C1																																																																									
2	R94BE	16	GY	1680205C1																																																																									
CAV	CIRC	GAUGE	COLOR	TERMINAL																																																																									
1*	R94BD	16	GY	1680205C1																																																																									
1*	R94BO	16	GY	1680205C1																																																																									
2*	R94BE	16	GY	1680205C1																																																																									
2*	R94BR	16	GY	1680205C1																																																																									
						* MUTUALLY EXCLUSIVE																																																																							
BENDIX LEFT MODULATOR (9502 / 9502A / 9502E) (LOCATED ON LEFT FRAME RAIL BY REAR AXLE)						BENDIX LEFT REAR MODULATOR (9502B / 9502F) (LOCATED ON LEFT FRAME RAIL BY REAR AXLE)																																																																							
																																																																													
CONNECTOR 1686834C1 BODY LOCK 1664408C1						CONNECTOR 1686834C1 BODY LOCK 1664408C1																																																																							
<table border="1" style="width:100%; border-collapse: collapse; font-size: x-small;"> <thead> <tr> <th>CAV</th> <th>CIRC</th> <th>GAUGE</th> <th>COLOR</th> <th>TERMINAL</th> <th>SEAL/SLEEVE</th> </tr> </thead> <tbody> <tr> <td>A</td> <td>R94BA</td> <td>16</td> <td>GY</td> <td>2033819C1</td> <td>1652325C1</td> </tr> <tr> <td>B</td> <td>R94BB</td> <td>16</td> <td>GY</td> <td>2033819C1</td> <td>1652325C1</td> </tr> <tr> <td>C</td> <td>R94BC</td> <td>16</td> <td>GY</td> <td>2033819C1</td> <td>1652325C1</td> </tr> </tbody> </table>						CAV	CIRC	GAUGE	COLOR	TERMINAL	SEAL/SLEEVE	A	R94BA	16	GY	2033819C1	1652325C1	B	R94BB	16	GY	2033819C1	1652325C1	C	R94BC	16	GY	2033819C1	1652325C1	<table border="1" style="width:100%; border-collapse: collapse; font-size: x-small;"> <thead> <tr> <th>CAV</th> <th>CIRC</th> <th>GAUGE</th> <th>COLOR</th> <th>TERMINAL</th> <th>SEAL/SLEEVE</th> </tr> </thead> <tbody> <tr> <td>A*</td> <td>R94BA</td> <td>16</td> <td>GY</td> <td>2033819C1</td> <td>1652325C1</td> </tr> <tr> <td>A*</td> <td>R94BY</td> <td>16</td> <td>GY</td> <td>2033819C1</td> <td>1652325C1</td> </tr> <tr> <td>B*</td> <td>R94BB</td> <td>16</td> <td>GY</td> <td>2033819C1</td> <td>1652325C1</td> </tr> <tr> <td>B*</td> <td>R94BZ</td> <td>16</td> <td>GY</td> <td>2033819C1</td> <td>1652325C1</td> </tr> <tr> <td>C*</td> <td>R94BC</td> <td>16</td> <td>GY</td> <td>2033819C1</td> <td>1652325C1</td> </tr> <tr> <td>C*</td> <td>R94BP</td> <td>16</td> <td>GY</td> <td>2033819C1</td> <td>1652325C1</td> </tr> </tbody> </table>						CAV	CIRC	GAUGE	COLOR	TERMINAL	SEAL/SLEEVE	A*	R94BA	16	GY	2033819C1	1652325C1	A*	R94BY	16	GY	2033819C1	1652325C1	B*	R94BB	16	GY	2033819C1	1652325C1	B*	R94BZ	16	GY	2033819C1	1652325C1	C*	R94BC	16	GY	2033819C1	1652325C1	C*	R94BP	16	GY	2033819C1	1652325C1
CAV	CIRC	GAUGE	COLOR	TERMINAL	SEAL/SLEEVE																																																																								
A	R94BA	16	GY	2033819C1	1652325C1																																																																								
B	R94BB	16	GY	2033819C1	1652325C1																																																																								
C	R94BC	16	GY	2033819C1	1652325C1																																																																								
CAV	CIRC	GAUGE	COLOR	TERMINAL	SEAL/SLEEVE																																																																								
A*	R94BA	16	GY	2033819C1	1652325C1																																																																								
A*	R94BY	16	GY	2033819C1	1652325C1																																																																								
B*	R94BB	16	GY	2033819C1	1652325C1																																																																								
B*	R94BZ	16	GY	2033819C1	1652325C1																																																																								
C*	R94BC	16	GY	2033819C1	1652325C1																																																																								
C*	R94BP	16	GY	2033819C1	1652325C1																																																																								
						* MUTUALLY EXCLUSIVE																																																																							
BENDIX ECE LEFT MODULATOR (9502C) (LOCATED ON LEFT FRAME RAIL BY REAR AXLE)						BENDIX ECE RIGHT MODULATOR (9502D) (LOCATED ON RIGHT FRAME RAIL BY REAR AXLE)																																																																							
																																																																													
CONNECTOR 1686834C1 BODY LOCK 1664408C1						CONNECTOR 1686834C1 BODY LOCK 1664408C1																																																																							
<table border="1" style="width:100%; border-collapse: collapse; font-size: x-small;"> <thead> <tr> <th>CAV</th> <th>CIRC</th> <th>GAUGE</th> <th>COLOR</th> <th>TERMINAL</th> <th>SEAL/SLEEVE</th> </tr> </thead> <tbody> <tr> <td>A</td> <td>R94BA</td> <td>16</td> <td>GY</td> <td>2033819C1</td> <td>1652325C1</td> </tr> <tr> <td>B</td> <td>R94BB</td> <td>16</td> <td>GY</td> <td>2033819C1</td> <td>1652325C1</td> </tr> <tr> <td>C</td> <td>R94BC</td> <td>16</td> <td>GY</td> <td>2033819C1</td> <td>1652325C1</td> </tr> </tbody> </table>						CAV	CIRC	GAUGE	COLOR	TERMINAL	SEAL/SLEEVE	A	R94BA	16	GY	2033819C1	1652325C1	B	R94BB	16	GY	2033819C1	1652325C1	C	R94BC	16	GY	2033819C1	1652325C1	<table border="1" style="width:100%; border-collapse: collapse; font-size: x-small;"> <thead> <tr> <th>CAV</th> <th>CIRC</th> <th>GAUGE</th> <th>COLOR</th> <th>TERMINAL</th> <th>SEAL/SLEEVE</th> </tr> </thead> <tbody> <tr> <td>A</td> <td>R94BJ</td> <td>16</td> <td>GY</td> <td>2033819C1</td> <td>1652325C1</td> </tr> <tr> <td>B</td> <td>R94BK</td> <td>16</td> <td>GY</td> <td>2033819C1</td> <td>1652325C1</td> </tr> <tr> <td>C</td> <td>R94BL</td> <td>16</td> <td>GY</td> <td>2033819C1</td> <td>1652325C1</td> </tr> </tbody> </table>						CAV	CIRC	GAUGE	COLOR	TERMINAL	SEAL/SLEEVE	A	R94BJ	16	GY	2033819C1	1652325C1	B	R94BK	16	GY	2033819C1	1652325C1	C	R94BL	16	GY	2033819C1	1652325C1																		
CAV	CIRC	GAUGE	COLOR	TERMINAL	SEAL/SLEEVE																																																																								
A	R94BA	16	GY	2033819C1	1652325C1																																																																								
B	R94BB	16	GY	2033819C1	1652325C1																																																																								
C	R94BC	16	GY	2033819C1	1652325C1																																																																								
CAV	CIRC	GAUGE	COLOR	TERMINAL	SEAL/SLEEVE																																																																								
A	R94BJ	16	GY	2033819C1	1652325C1																																																																								
B	R94BK	16	GY	2033819C1	1652325C1																																																																								
C	R94BL	16	GY	2033819C1	1652325C1																																																																								
						* MUTUALLY EXCLUSIVE																																																																							
CHK	DATE	CHANGE	REV	REFERENCE	DRAWN	NAME																																																																							
-	-	REVISED AND REDRAWN.	C	92447S	300422	CIRCUIT DIAGRAM, PROSTAR, LONESTAR																																																																							
					RELEASE NO.	DATE	PART NO.	SHEET																																																																					
					61802Y	12MAR09	AE08058107	120																																																																					

Figure 579 Connector Body Composite (9501), (9501D), (9501E), (9502), (9502A), (9502B), (9502C), (9502D), (9502E), (9502F)

14.200. CONNECTOR BODY COMPOSITE (9503), (9503D), (9503E), (9504), (9504A), (9504B), (9504C), (9504D), P. 121

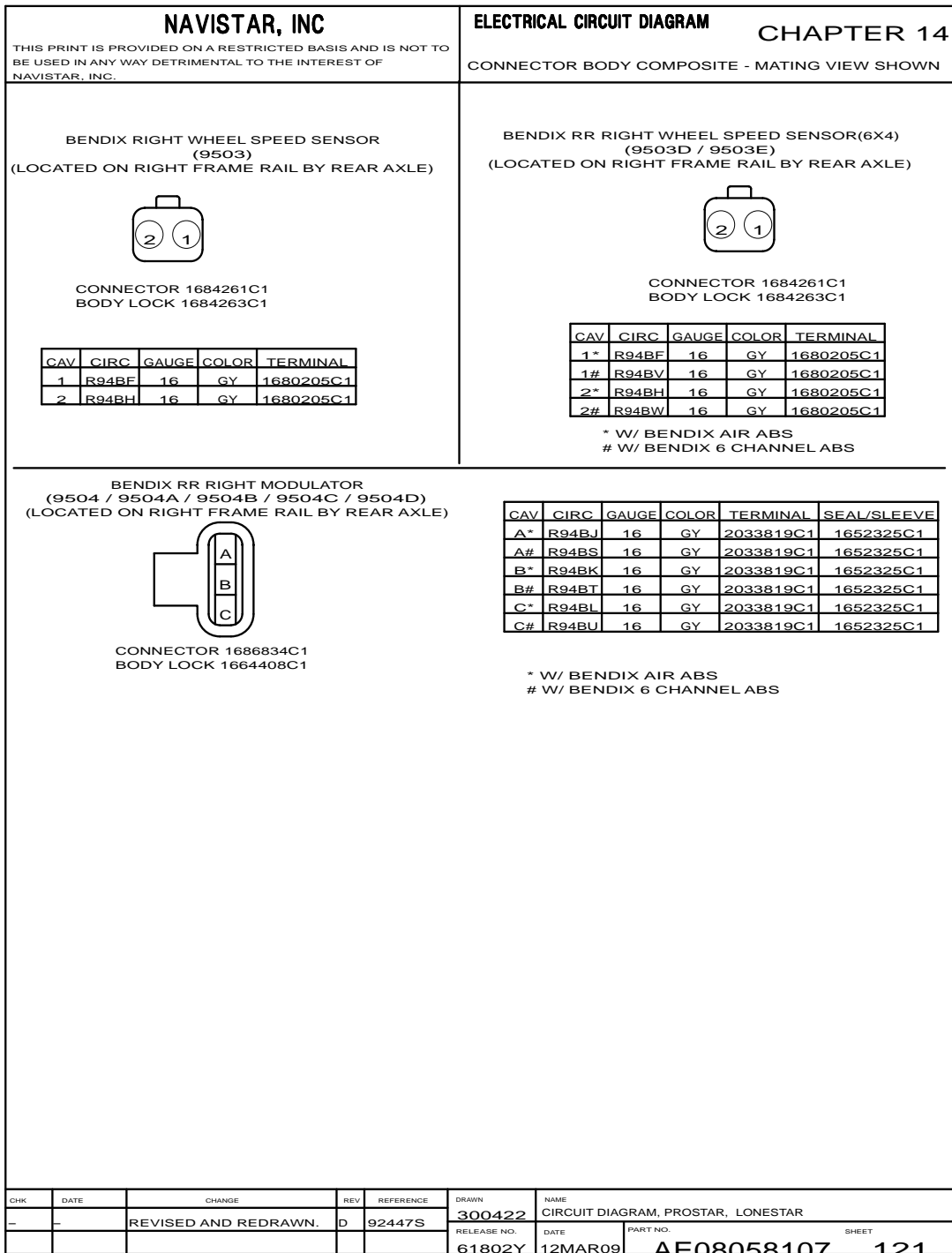


Figure 580 Connector Body Composite (9503), (9503D), (9503E), (9504), (9504A), (9504B), (9504C), (9504D)

14.201. CONNECTOR BODY COMPOSITE (9505), (9505A), (9505D), (9506), (9506D), (9506E), P. 122

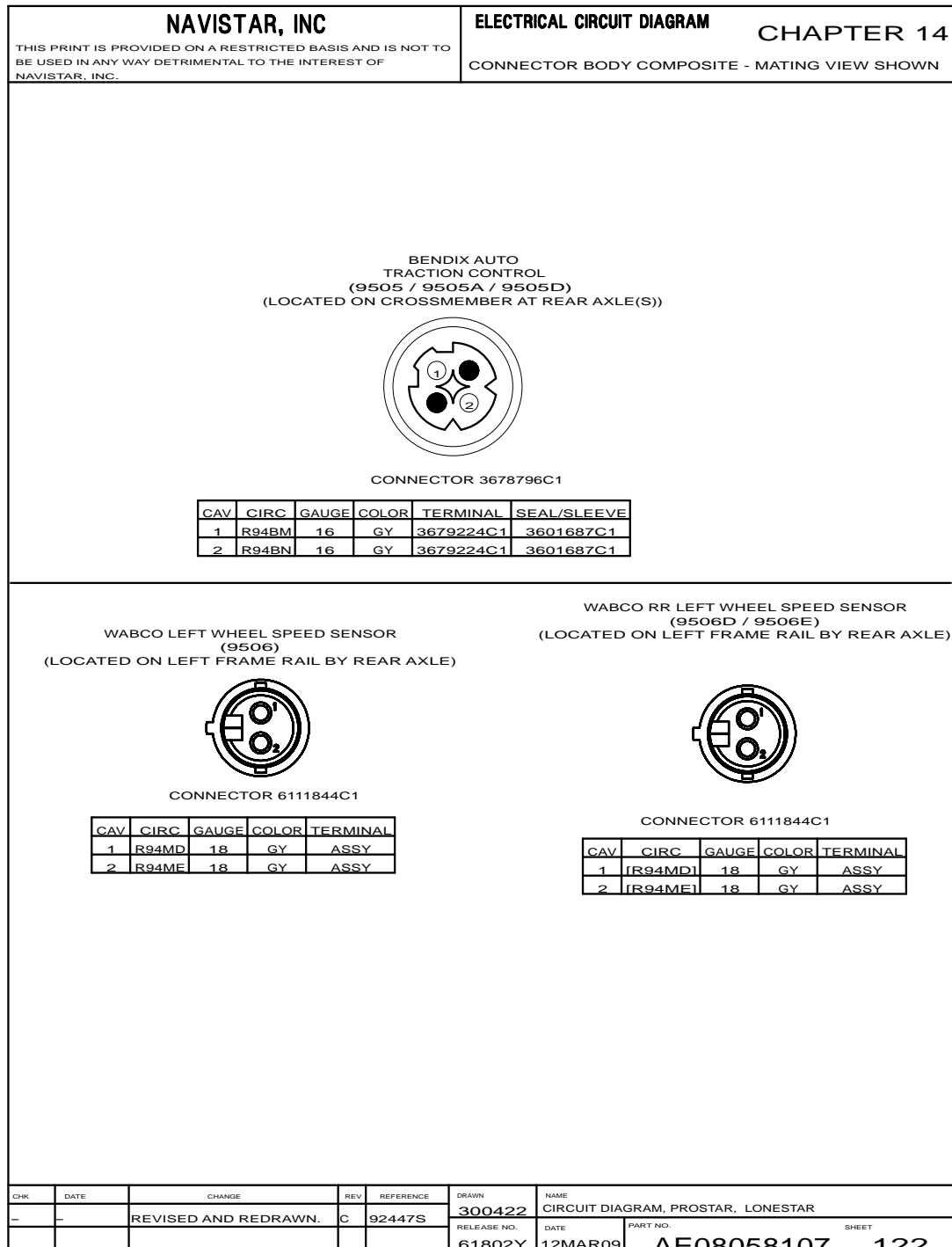


Figure 581 Connector Body Composite (9505), (9505A), (9505D), (9506), (9506D), (9506E)

14.202. CONNECTOR BODY COMPOSITE (9506), (9506D), (9506E), (9506F), (9507), (9507A), (9507C), P. 123

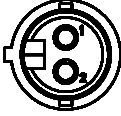
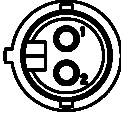
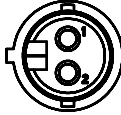
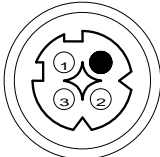
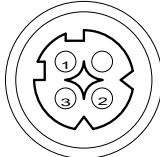
<b>NAVISTAR, INC</b>				<b>ELECTRICAL CIRCUIT DIAGRAM</b>				<b>CHAPTER 14</b>																																	
THIS PRINT IS PROVIDED ON A RESTRICTED BASIS AND IS NOT TO BE USED IN ANY WAY DETRIMENTAL TO THE INTEREST OF NAVISTAR, INC.				CONNECTOR BODY COMPOSITE - MATING VIEW SHOWN																																					
WABCO LEFT WHEEL SPEED SNSR (4X2) / WABCO RR LEFT WHEEL SPEED SNSR (6X4 HTB) (9506/9506F)																																									
				<table border="1" style="width:100%; border-collapse: collapse; font-size: x-small;"> <thead> <tr> <th>CAV</th> <th>CIRC</th> <th>GAUGE</th> <th>COLOR</th> <th>TERMINAL</th> <th>SEAL/SLV</th> </tr> </thead> <tbody> <tr> <td>1</td> <td>M94MD</td> <td>18</td> <td>GY</td> <td>6111842C1</td> <td>6111843C1</td> </tr> <tr> <td>2</td> <td>M94ME</td> <td>18</td> <td>GY</td> <td>6111842C1</td> <td>6111843C1</td> </tr> </tbody> </table>								CAV	CIRC	GAUGE	COLOR	TERMINAL	SEAL/SLV	1	M94MD	18	GY	6111842C1	6111843C1	2	M94ME	18	GY	6111842C1	6111843C1												
CAV	CIRC	GAUGE	COLOR	TERMINAL	SEAL/SLV																																				
1	M94MD	18	GY	6111842C1	6111843C1																																				
2	M94ME	18	GY	6111842C1	6111843C1																																				
CONNECTOR 6111844C1																																									
WABCO LEFT WHEEL SPEED SNSR(6X4 HAS) / WABCO LEFT WHEEL SPEED SNSR (6X4 IROS/HTB) (9506D/9506E)																																									
				<table border="1" style="width:100%; border-collapse: collapse; font-size: x-small;"> <thead> <tr> <th>CAV</th> <th>CIRC</th> <th>GAUGE</th> <th>COLOR</th> <th>TERMINAL</th> <th>SEAL/SLV</th> </tr> </thead> <tbody> <tr> <td>1</td> <td>*M94BQA</td> <td>18</td> <td>GY</td> <td>6111842C1</td> <td>6111843C1</td> </tr> <tr> <td>1</td> <td>*M94MD</td> <td>18</td> <td>GY</td> <td>6111842C1</td> <td>6111843C1</td> </tr> <tr> <td>2</td> <td>*M94BRA</td> <td>18</td> <td>GY</td> <td>6111842C1</td> <td>6111843C1</td> </tr> <tr> <td>2</td> <td>*M94ME</td> <td>18</td> <td>GY</td> <td>6111842C1</td> <td>6111843C1</td> </tr> </tbody> </table> <p style="font-size: x-small;">* MUTUALLY EXCLUSIVE</p>								CAV	CIRC	GAUGE	COLOR	TERMINAL	SEAL/SLV	1	*M94BQA	18	GY	6111842C1	6111843C1	1	*M94MD	18	GY	6111842C1	6111843C1	2	*M94BRA	18	GY	6111842C1	6111843C1	2	*M94ME	18	GY	6111842C1	6111843C1
CAV	CIRC	GAUGE	COLOR	TERMINAL	SEAL/SLV																																				
1	*M94BQA	18	GY	6111842C1	6111843C1																																				
1	*M94MD	18	GY	6111842C1	6111843C1																																				
2	*M94BRA	18	GY	6111842C1	6111843C1																																				
2	*M94ME	18	GY	6111842C1	6111843C1																																				
CONNECTOR 6111844C1																																									
WABCO RR LEFT WHEEL SPEED SENSOR (6X4 NTB) (9506F) (LOCATED ON LEFT FRAME RAIL BY REAR AXLE)																																									
				<table border="1" style="width:100%; border-collapse: collapse; font-size: x-small;"> <thead> <tr> <th>CAV</th> <th>CIRC</th> <th>GAUGE</th> <th>COLOR</th> <th>TERMINAL</th> </tr> </thead> <tbody> <tr> <td>1</td> <td>[R94MD]</td> <td>18</td> <td>GY</td> <td>ASSY</td> </tr> <tr> <td>2</td> <td>[R94ME]</td> <td>18</td> <td>GY</td> <td>ASSY</td> </tr> </tbody> </table>								CAV	CIRC	GAUGE	COLOR	TERMINAL	1	[R94MD]	18	GY	ASSY	2	[R94ME]	18	GY	ASSY															
CAV	CIRC	GAUGE	COLOR	TERMINAL																																					
1	[R94MD]	18	GY	ASSY																																					
2	[R94ME]	18	GY	ASSY																																					
CONNECTOR 6111844C1																																									
WABCO LEFT MODULATOR (9507) (LOCATED ON LEFT FRAME RAIL BY REAR AXLE)																																									
				<table border="1" style="width:100%; border-collapse: collapse; font-size: x-small;"> <thead> <tr> <th>CAV</th> <th>CIRC</th> <th>GAUGE</th> <th>COLOR</th> <th>TERMINAL</th> </tr> </thead> <tbody> <tr> <td>1</td> <td>R94MA</td> <td>18</td> <td>GY</td> <td>ASSY</td> </tr> <tr> <td>2</td> <td>R94MB</td> <td>18</td> <td>GY</td> <td>ASSY</td> </tr> <tr> <td>3</td> <td>R94MC</td> <td>18</td> <td>GY</td> <td>ASSY</td> </tr> </tbody> </table>								CAV	CIRC	GAUGE	COLOR	TERMINAL	1	R94MA	18	GY	ASSY	2	R94MB	18	GY	ASSY	3	R94MC	18	GY	ASSY										
CAV	CIRC	GAUGE	COLOR	TERMINAL																																					
1	R94MA	18	GY	ASSY																																					
2	R94MB	18	GY	ASSY																																					
3	R94MC	18	GY	ASSY																																					
CONNECTOR 3919376C1																																									
WABCO LEFT MODULATOR (4X2) / WABCO LEFT MODULATOR (6X4 HAS) / WABCO LEFT REAR MODULATOR(6X4 HTB) (9507 / 9507A / 9507C)																																									
				<table border="1" style="width:100%; border-collapse: collapse; font-size: x-small;"> <thead> <tr> <th>CAV</th> <th>CIRC</th> <th>GAUGE</th> <th>COLOR</th> <th>TERMINAL</th> <th>SEAL/SLV</th> </tr> </thead> <tbody> <tr> <td>1</td> <td>M94MA</td> <td>18</td> <td>GY</td> <td>3601686C1</td> <td>3733609C1</td> </tr> <tr> <td>2</td> <td>M94MB</td> <td>18</td> <td>GY</td> <td>3601686C1</td> <td>3733609C1</td> </tr> <tr> <td>3</td> <td>M94MC</td> <td>18</td> <td>GY</td> <td>3601686C1</td> <td>3733609C1</td> </tr> </tbody> </table>								CAV	CIRC	GAUGE	COLOR	TERMINAL	SEAL/SLV	1	M94MA	18	GY	3601686C1	3733609C1	2	M94MB	18	GY	3601686C1	3733609C1	3	M94MC	18	GY	3601686C1	3733609C1						
CAV	CIRC	GAUGE	COLOR	TERMINAL	SEAL/SLV																																				
1	M94MA	18	GY	3601686C1	3733609C1																																				
2	M94MB	18	GY	3601686C1	3733609C1																																				
3	M94MC	18	GY	3601686C1	3733609C1																																				
CONNECTOR 3919376C1																																									
CHK	DATE	CHANGE	REV	REFERENCE	DRAWN	NAME																																			
-	-	REVISED AND REDRAWN.	D	92447S	300422	CIRCUIT DIAGRAM, PROSTAR, LONESTAR																																			
					RELEASE NO.	DATE	PART NO.	SHEET																																	
					61802Y	12MAR09	AE08058107	123																																	

Figure 582 Connector Body Composite (9506), (9506D), (9506E), (9506F), (9507), (9507A), (9507C)

14.203. CONNECTOR BODY COMPOSITE (9507A), (9507B), (9507C), (9507K), (9508), P. 124

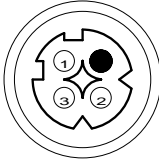
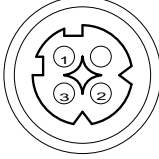
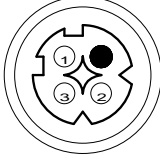
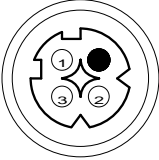

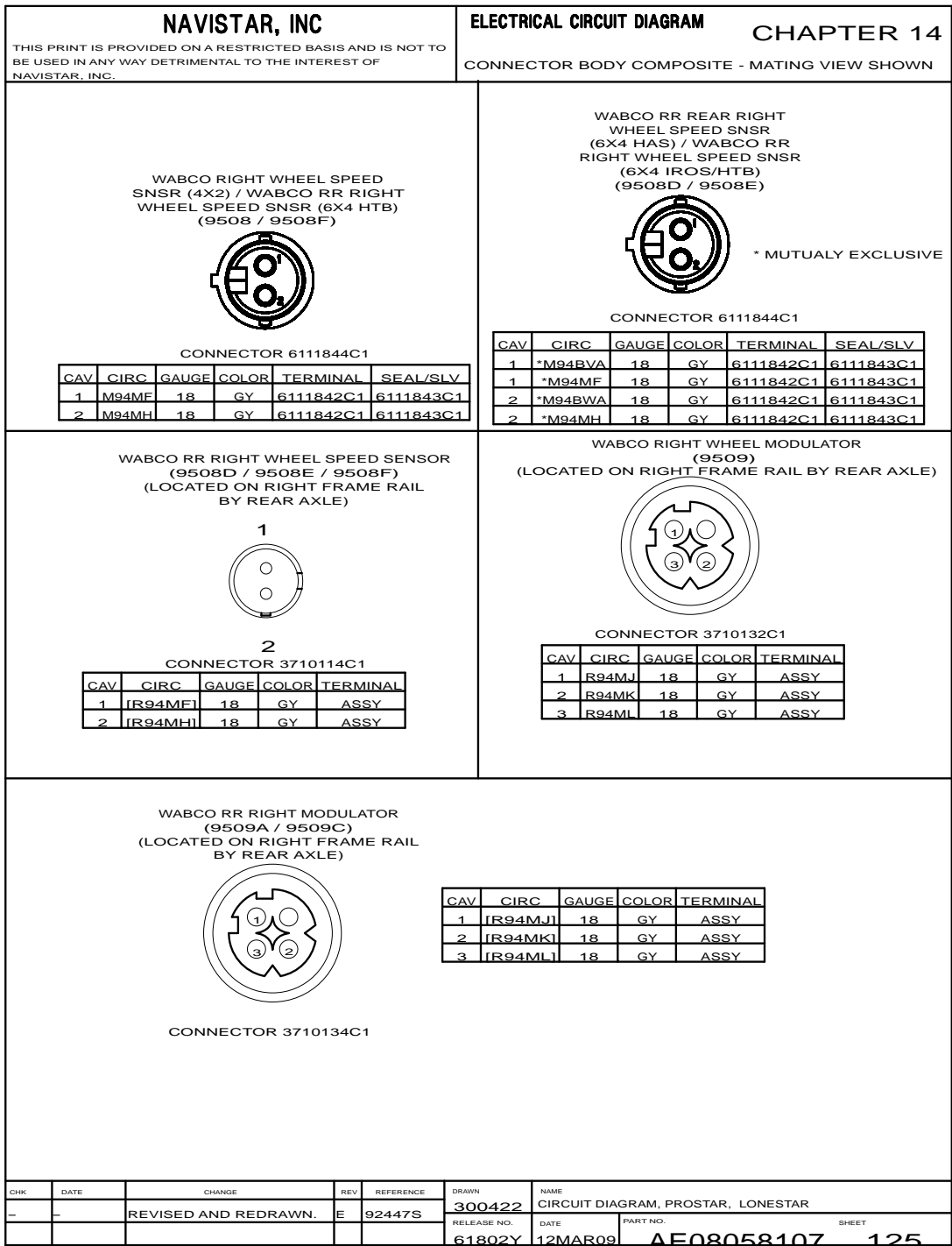
<b>NAVISTAR, INC</b>				<b>ELECTRICAL CIRCUIT DIAGRAM</b>		<b>CHAPTER 14</b>																																											
THIS PRINT IS PROVIDED ON A RESTRICTED BASIS AND IS NOT TO BE USED IN ANY WAY DETRIMENTAL TO THE INTEREST OF NAVISTAR, INC.				CONNECTOR BODY COMPOSITE - MATING VIEW SHOWN																																													
<p>WABCO LEFT MODULATOR (9507A) (LOCATED ON LEFT FRAME RAIL)</p>  <table border="1" style="margin-left: auto; margin-right: auto; font-size: x-small;"> <thead> <tr> <th>CAV</th> <th>CIRC</th> <th>GAUGE</th> <th>COLOR</th> <th>TERMINAL</th> </tr> </thead> <tbody> <tr> <td>1</td> <td>[R94MA]</td> <td>18</td> <td>GY</td> <td>ASSY</td> </tr> <tr> <td>2</td> <td>[R94MB]</td> <td>18</td> <td>GY</td> <td>ASSY</td> </tr> <tr> <td>3</td> <td>[R94MC]</td> <td>18</td> <td>GY</td> <td>ASSY</td> </tr> </tbody> </table> <p style="text-align: center;">CONNECTOR 3919376C1</p>								CAV	CIRC	GAUGE	COLOR	TERMINAL	1	[R94MA]	18	GY	ASSY	2	[R94MB]	18	GY	ASSY	3	[R94MC]	18	GY	ASSY																						
CAV	CIRC	GAUGE	COLOR	TERMINAL																																													
1	[R94MA]	18	GY	ASSY																																													
2	[R94MB]	18	GY	ASSY																																													
3	[R94MC]	18	GY	ASSY																																													
<p>WABCO LEFT REAR MODULATOR (6X4 IROS/HTB) (9507B)</p>  <table border="1" style="margin-left: auto; margin-right: auto; font-size: x-small;"> <thead> <tr> <th>CAV</th> <th>CIRC</th> <th>GAUGE</th> <th>COLOR</th> <th>TERMINAL</th> <th>SEAL/SLV</th> </tr> </thead> <tbody> <tr> <td>1</td> <td>*M94MA</td> <td>18</td> <td>GY</td> <td>3601686C1</td> <td>3733609C1</td> </tr> <tr> <td>1</td> <td>*M94BYA</td> <td>18</td> <td>GY</td> <td>3601686C1</td> <td>3733609C1</td> </tr> <tr> <td>2</td> <td>*M94MB</td> <td>18</td> <td>GY</td> <td>3601686C1</td> <td>3733609C1</td> </tr> <tr> <td>2</td> <td>*M94BZA</td> <td>18</td> <td>GY</td> <td>3601686C1</td> <td>3733609C1</td> </tr> <tr> <td>3</td> <td>*M94MC</td> <td>18</td> <td>GY</td> <td>3601686C1</td> <td>3733609C1</td> </tr> <tr> <td>3</td> <td>*M94BPA</td> <td>18</td> <td>GY</td> <td>3601686C1</td> <td>3733609C1</td> </tr> </tbody> </table> <p style="text-align: center;">* MUTUALLY EXCLUSIVE</p> <p style="text-align: center;">CONNECTOR 3919376C1</p>								CAV	CIRC	GAUGE	COLOR	TERMINAL	SEAL/SLV	1	*M94MA	18	GY	3601686C1	3733609C1	1	*M94BYA	18	GY	3601686C1	3733609C1	2	*M94MB	18	GY	3601686C1	3733609C1	2	*M94BZA	18	GY	3601686C1	3733609C1	3	*M94MC	18	GY	3601686C1	3733609C1	3	*M94BPA	18	GY	3601686C1	3733609C1
CAV	CIRC	GAUGE	COLOR	TERMINAL	SEAL/SLV																																												
1	*M94MA	18	GY	3601686C1	3733609C1																																												
1	*M94BYA	18	GY	3601686C1	3733609C1																																												
2	*M94MB	18	GY	3601686C1	3733609C1																																												
2	*M94BZA	18	GY	3601686C1	3733609C1																																												
3	*M94MC	18	GY	3601686C1	3733609C1																																												
3	*M94BPA	18	GY	3601686C1	3733609C1																																												
<p>WABCO LEFT REAR MODULATOR (9507B / 9507K) (LOCATED ON LEFT FRAME RAIL BY REAR AXLE)</p>  <table border="1" style="margin-left: auto; margin-right: auto; font-size: x-small;"> <thead> <tr> <th>CAV</th> <th>CIRC</th> <th>GAUGE</th> <th>COLOR</th> <th>TERMINAL</th> </tr> </thead> <tbody> <tr> <td>1</td> <td>[R94MA]</td> <td>18</td> <td>GY</td> <td>ASSY</td> </tr> <tr> <td>2</td> <td>[R94MB]</td> <td>18</td> <td>GY</td> <td>ASSY</td> </tr> <tr> <td>3</td> <td>[R94MC]</td> <td>18</td> <td>GY</td> <td>ASSY</td> </tr> </tbody> </table> <p style="text-align: center;">CONNECTOR 3919376C1</p>								CAV	CIRC	GAUGE	COLOR	TERMINAL	1	[R94MA]	18	GY	ASSY	2	[R94MB]	18	GY	ASSY	3	[R94MC]	18	GY	ASSY																						
CAV	CIRC	GAUGE	COLOR	TERMINAL																																													
1	[R94MA]	18	GY	ASSY																																													
2	[R94MB]	18	GY	ASSY																																													
3	[R94MC]	18	GY	ASSY																																													
<p>WABCO LEFT REAR MODULATOR (9507C) (LOCATED ON LEFT FRAME RAIL BY REAR AXLE)</p>  <table border="1" style="margin-left: auto; margin-right: auto; font-size: x-small;"> <thead> <tr> <th>CAV</th> <th>CIRC</th> <th>GAUGE</th> <th>COLOR</th> <th>TERMINAL</th> </tr> </thead> <tbody> <tr> <td>1</td> <td>[R94MA]</td> <td>18</td> <td>GY</td> <td>ASSY</td> </tr> <tr> <td>2</td> <td>[R94MB]</td> <td>18</td> <td>GY</td> <td>ASSY</td> </tr> <tr> <td>3</td> <td>[R94MC]</td> <td>18</td> <td>GY</td> <td>ASSY</td> </tr> </tbody> </table> <p style="text-align: center;">CONNECTOR 3919376C1</p>								CAV	CIRC	GAUGE	COLOR	TERMINAL	1	[R94MA]	18	GY	ASSY	2	[R94MB]	18	GY	ASSY	3	[R94MC]	18	GY	ASSY																						
CAV	CIRC	GAUGE	COLOR	TERMINAL																																													
1	[R94MA]	18	GY	ASSY																																													
2	[R94MB]	18	GY	ASSY																																													
3	[R94MC]	18	GY	ASSY																																													
<p>WABCO RIGHT WHEEL SPEED SENSOR (9508) (LOCATED ON RIGHT FRAME RAIL BY REAR AXLE)</p>  <table border="1" style="margin-left: auto; margin-right: auto; font-size: x-small;"> <thead> <tr> <th>CAV</th> <th>CIRC</th> <th>GAUGE</th> <th>COLOR</th> <th>TERMINAL</th> </tr> </thead> <tbody> <tr> <td>1</td> <td>R94MF</td> <td>18</td> <td>GY</td> <td>ASSY</td> </tr> <tr> <td>2</td> <td>R94MH</td> <td>18</td> <td>GY</td> <td>ASSY</td> </tr> </tbody> </table> <p style="text-align: center;">CONNECTOR 6111844C1</p>								CAV	CIRC	GAUGE	COLOR	TERMINAL	1	R94MF	18	GY	ASSY	2	R94MH	18	GY	ASSY																											
CAV	CIRC	GAUGE	COLOR	TERMINAL																																													
1	R94MF	18	GY	ASSY																																													
2	R94MH	18	GY	ASSY																																													
CHK	DATE	CHANGE	REV	REFERENCE	DRAWN	NAME																																											
-	-	REVISED AND REDRAWN.	D	92447S	300422	CIRCUIT DIAGRAM, PROSTAR, LONESTAR																																											
RELEASE NO.					DATE	PART NO.	SHEET																																										
61802Y					12MAR09	AE08058107	124																																										

Figure 583 Connector Body Composite (9507A), (9507B), (9507C), (9507K), (9508)

14.204. CONNECTOR BODY COMPOSITE (9508), (9508D), (9508E), (9508F), (9509), (9509A), (9509C), P. 125





14.205. CONNECTOR BODY COMPOSITE (9509B), (9509P), (9510), (9510A), P. 126

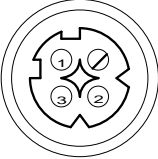
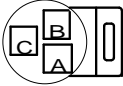
<p><b>NAVISTAR, INC</b></p> <p><small>THIS PRINT IS PROVIDED ON A RESTRICTED BASIS AND IS NOT TO BE USED IN ANY WAY DETRIMENTAL TO THE INTEREST OF NAVISTAR, INC.</small></p>	<p><b>ELECTRICAL CIRCUIT DIAGRAM</b></p> <p><b>CHAPTER 14</b></p> <p>CONNECTOR BODY COMPOSITE - MATING VIEW SHOWN</p>																																										
<p>WABCO RR RIGHT MODULATOR (9509B / 9509P) (LOCATED ON RIGHT FRAME RAIL BY REAR AXLE)</p>  <p>CONNECTOR 3710135C1</p> <table border="1" style="margin-left: auto; margin-right: auto; border-collapse: collapse;"> <thead> <tr> <th>CAV</th> <th>CIRC</th> <th>GAUGE</th> <th>COLOR</th> <th>TERMINAL</th> </tr> </thead> <tbody> <tr> <td>1</td> <td>R94MJ1</td> <td>18</td> <td>GY</td> <td>ASSY</td> </tr> <tr> <td>2</td> <td>R94MK1</td> <td>18</td> <td>GY</td> <td>ASSY</td> </tr> <tr> <td>3</td> <td>R94ML1</td> <td>18</td> <td>GY</td> <td>ASSY</td> </tr> </tbody> </table>		CAV	CIRC	GAUGE	COLOR	TERMINAL	1	R94MJ1	18	GY	ASSY	2	R94MK1	18	GY	ASSY	3	R94ML1	18	GY	ASSY																						
CAV	CIRC	GAUGE	COLOR	TERMINAL																																							
1	R94MJ1	18	GY	ASSY																																							
2	R94MK1	18	GY	ASSY																																							
3	R94ML1	18	GY	ASSY																																							
<p>ABS6 PRESSURE SENSOR (9510 / 9510A) (LOCATED ON REAR SUSPENSION AIR BAG: LEFT SIDE (6X4) RIGHT SIDE (4X2))</p>  <p>CONNECTOR 1678137C1</p> <table border="1" style="margin-left: auto; margin-right: auto; border-collapse: collapse;"> <thead> <tr> <th>CAV</th> <th>CIRC</th> <th>GAUGE</th> <th>COLOR</th> <th>TERMINAL</th> </tr> </thead> <tbody> <tr> <td>A</td> <td>R94SZC</td> <td>18</td> <td>GY</td> <td>1651943C1</td> </tr> <tr> <td>B</td> <td>R94SVC</td> <td>18</td> <td>GY</td> <td>1651943C1</td> </tr> <tr> <td>C</td> <td>R94SH</td> <td>18</td> <td>GY</td> <td>1651943C1</td> </tr> </tbody> </table>		CAV	CIRC	GAUGE	COLOR	TERMINAL	A	R94SZC	18	GY	1651943C1	B	R94SVC	18	GY	1651943C1	C	R94SH	18	GY	1651943C1																						
CAV	CIRC	GAUGE	COLOR	TERMINAL																																							
A	R94SZC	18	GY	1651943C1																																							
B	R94SVC	18	GY	1651943C1																																							
C	R94SH	18	GY	1651943C1																																							
<table border="1" style="width: 100%; border-collapse: collapse;"> <tr> <th>CHK</th> <th>DATE</th> <th>CHANGE</th> <th>REV</th> <th>REFERENCE</th> <th>DRAWN</th> <th>NAME</th> </tr> <tr> <td>0488</td> <td>20MAY14</td> <td>REVISED AND REDRAWN.</td> <td>D</td> <td>92447S</td> <td>300422</td> <td>CIRCUIT DIAGRAM, PROSTAR, LONESTAR</td> </tr> <tr> <td></td> <td></td> <td></td> <td></td> <td></td> <td>RELEASE NO.</td> <td>DATE</td> </tr> <tr> <td></td> <td></td> <td></td> <td></td> <td></td> <td>61802Y</td> <td>12MAR09</td> </tr> <tr> <td></td> <td></td> <td></td> <td></td> <td></td> <td>PART NO.</td> <td>SHEET</td> </tr> <tr> <td></td> <td></td> <td></td> <td></td> <td></td> <td>AE08058107</td> <td>126</td> </tr> </table>		CHK	DATE	CHANGE	REV	REFERENCE	DRAWN	NAME	0488	20MAY14	REVISED AND REDRAWN.	D	92447S	300422	CIRCUIT DIAGRAM, PROSTAR, LONESTAR						RELEASE NO.	DATE						61802Y	12MAR09						PART NO.	SHEET						AE08058107	126
CHK	DATE	CHANGE	REV	REFERENCE	DRAWN	NAME																																					
0488	20MAY14	REVISED AND REDRAWN.	D	92447S	300422	CIRCUIT DIAGRAM, PROSTAR, LONESTAR																																					
					RELEASE NO.	DATE																																					
					61802Y	12MAR09																																					
					PART NO.	SHEET																																					
					AE08058107	126																																					

Figure 585 Connector Body Composite (9509B), (9509P), (9510), (9510A)

14.206. CONNECTOR BODY COMPOSITE (9510M), (9511), (9511A), (9512), (9512A), (9513), P. 127

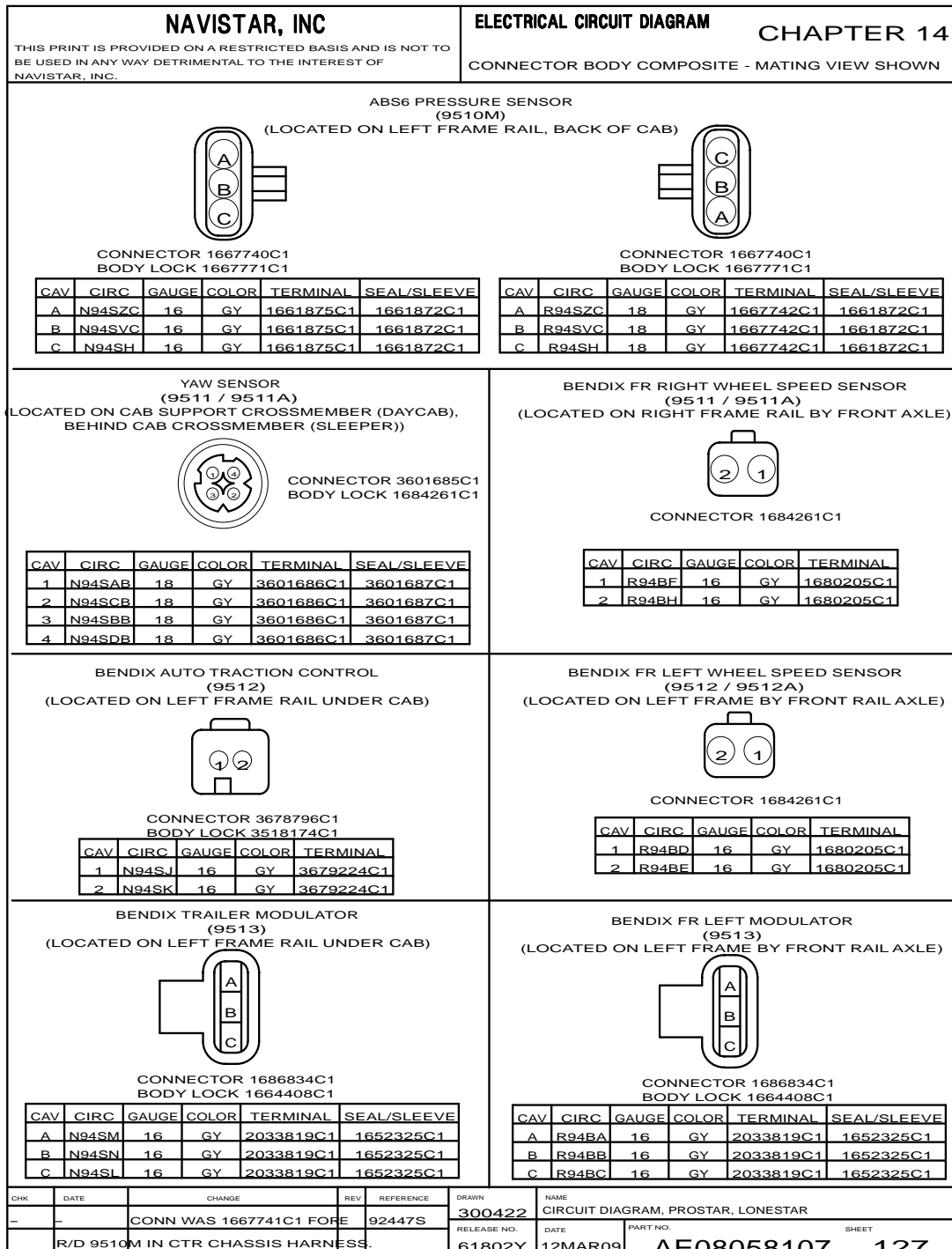


Figure 586 Connector Body Composite (9510M), (9511), (9511A), (9512), (9512A), (9513)

14.207. CONNECTOR BODY COMPOSITE (9514), (9515), (9515C), (9515A), (9515B), (9515D), (9516), P. 128

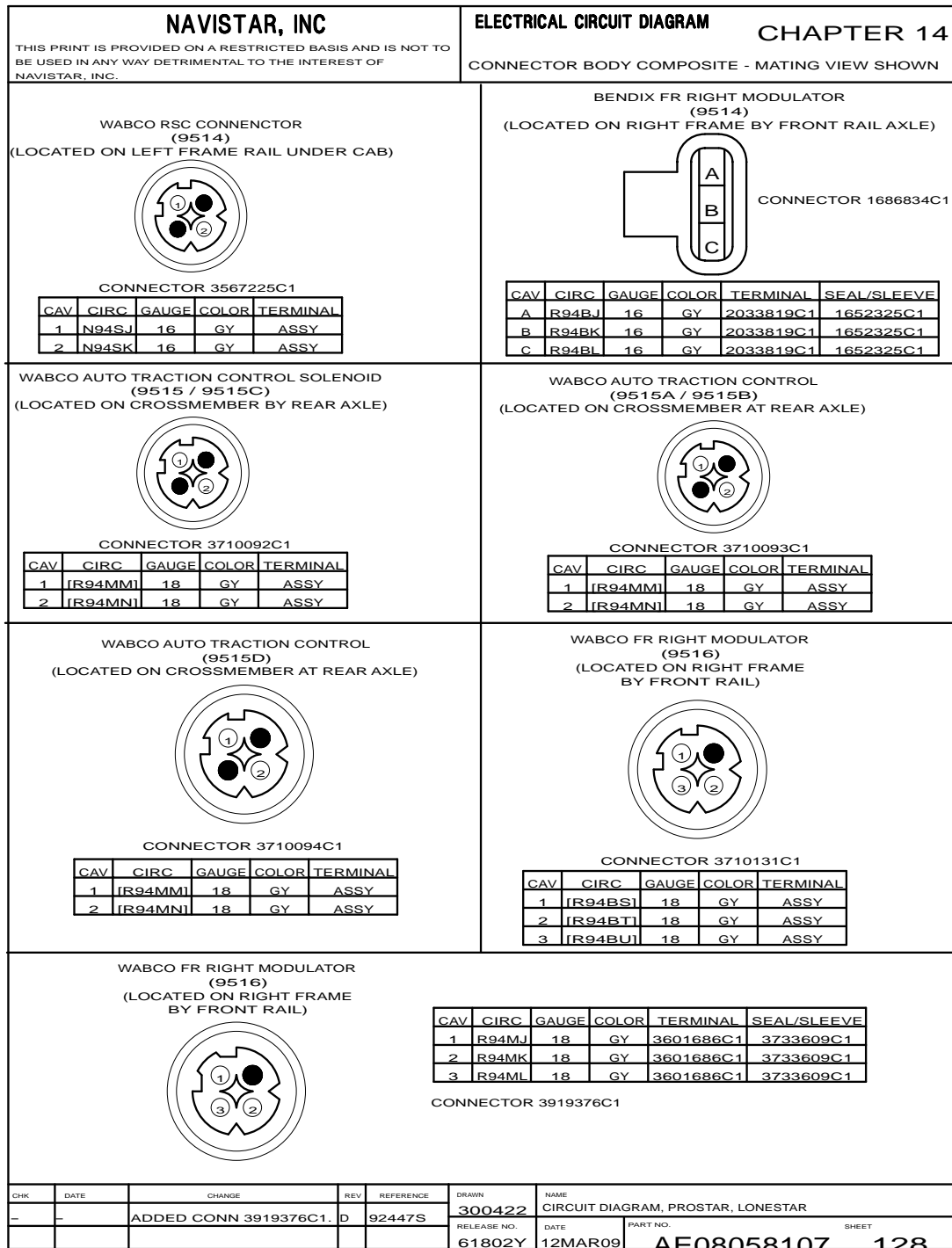


Figure 587 Connector Body Composite (9514), (9515), (9515C), (9515A), (9515B), (9515D), (9516)

14.208. CONNECTOR BODY COMPOSITE (9781F), (9782M), (9783M), (9783F), (9784M), P. 129

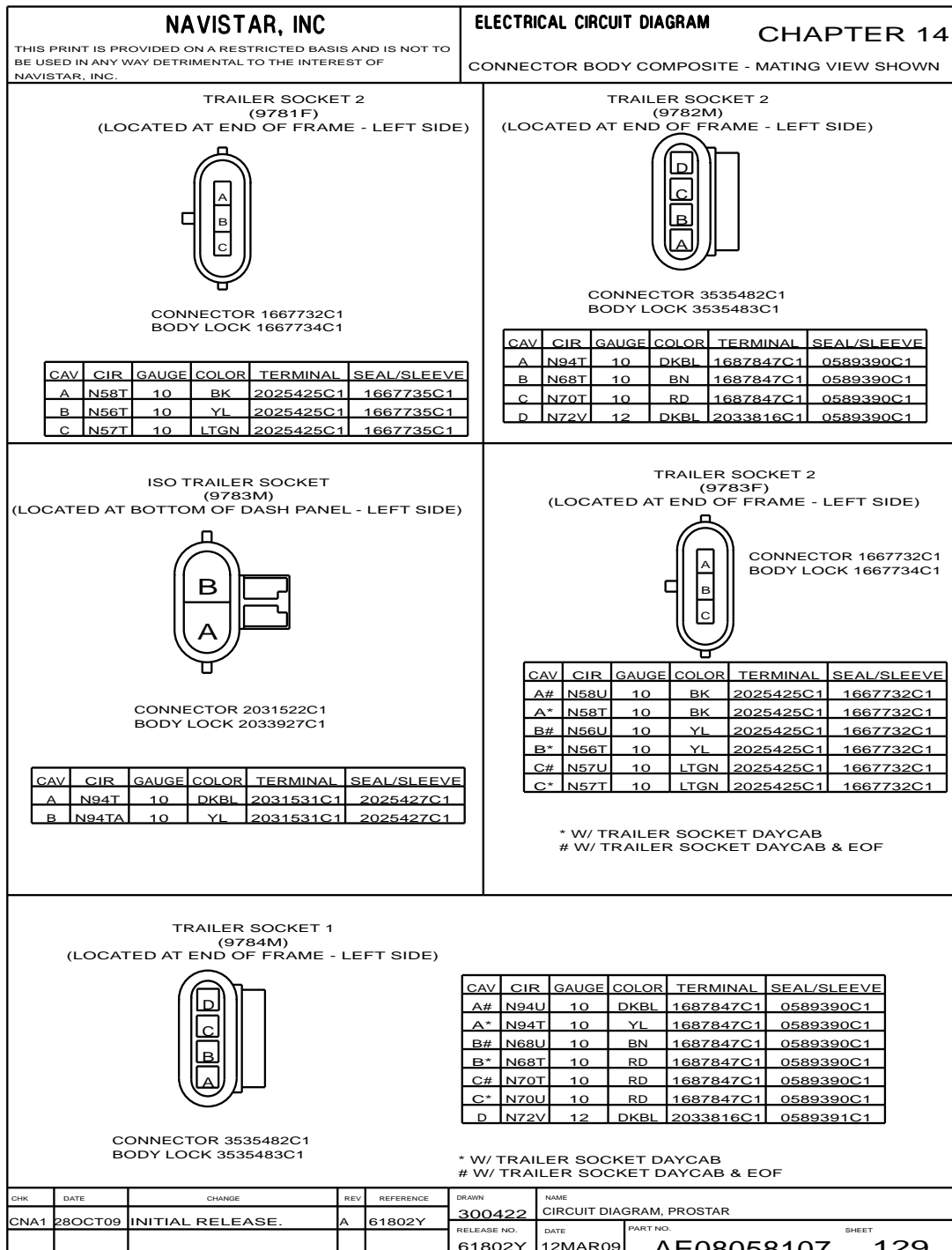


Figure 588 Connector Body Composite (9781F), (9782M), (9783M), (9783F), (9784M)

14.209. CONNECTOR BODY COMPOSITE (9519), (9520), (9521), (9522), (9523), (9524), (9525), (9526), P. 130

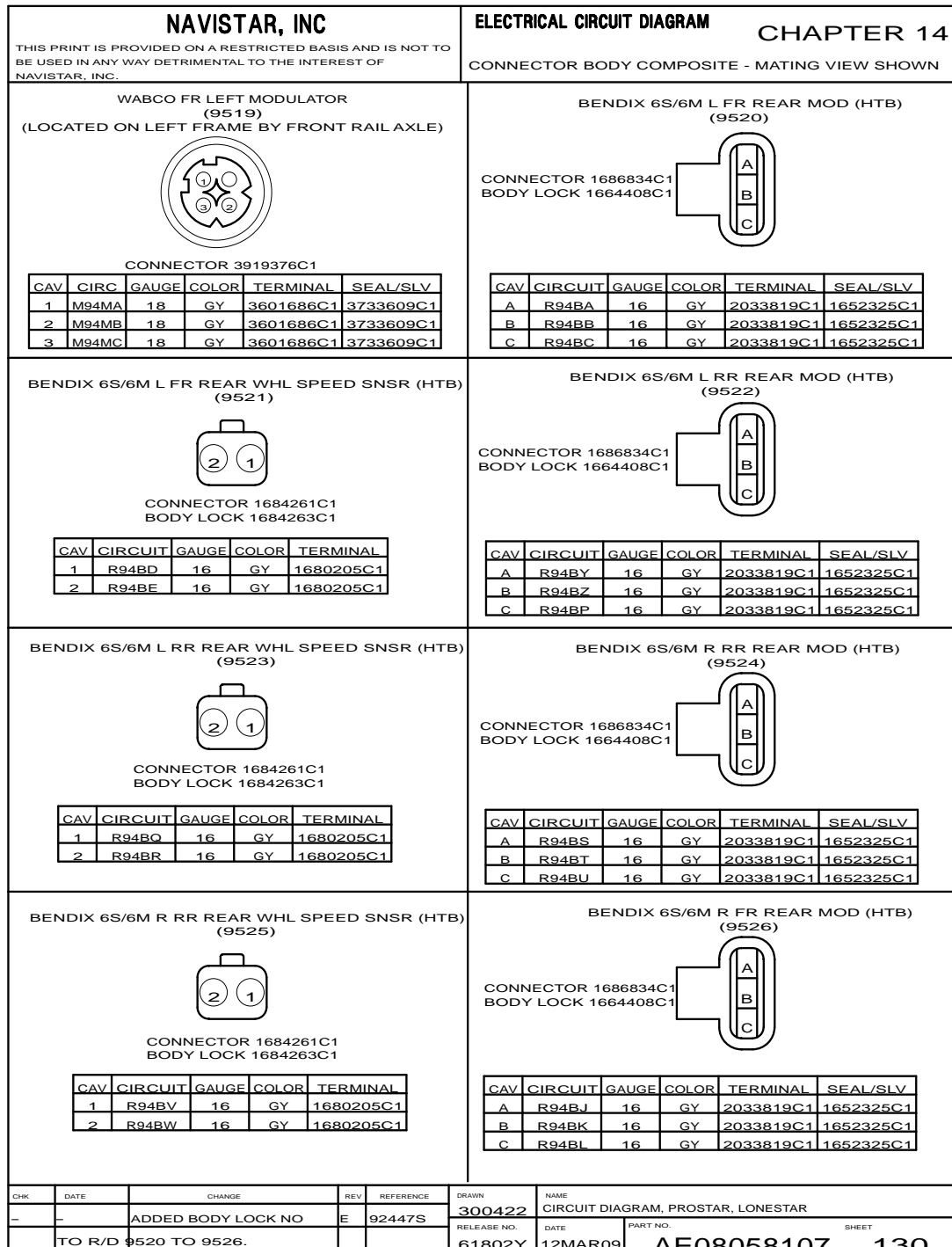


Figure 589 Connector Body Composite (9519), (9520), (9521), (9522), (9523), (9524), (9525), (9526)

14.210. CONNECTOR BODY COMPOSITE (9527), (9528), (9529), (9532), (9534), (9535), (9536), (9537), P. 131

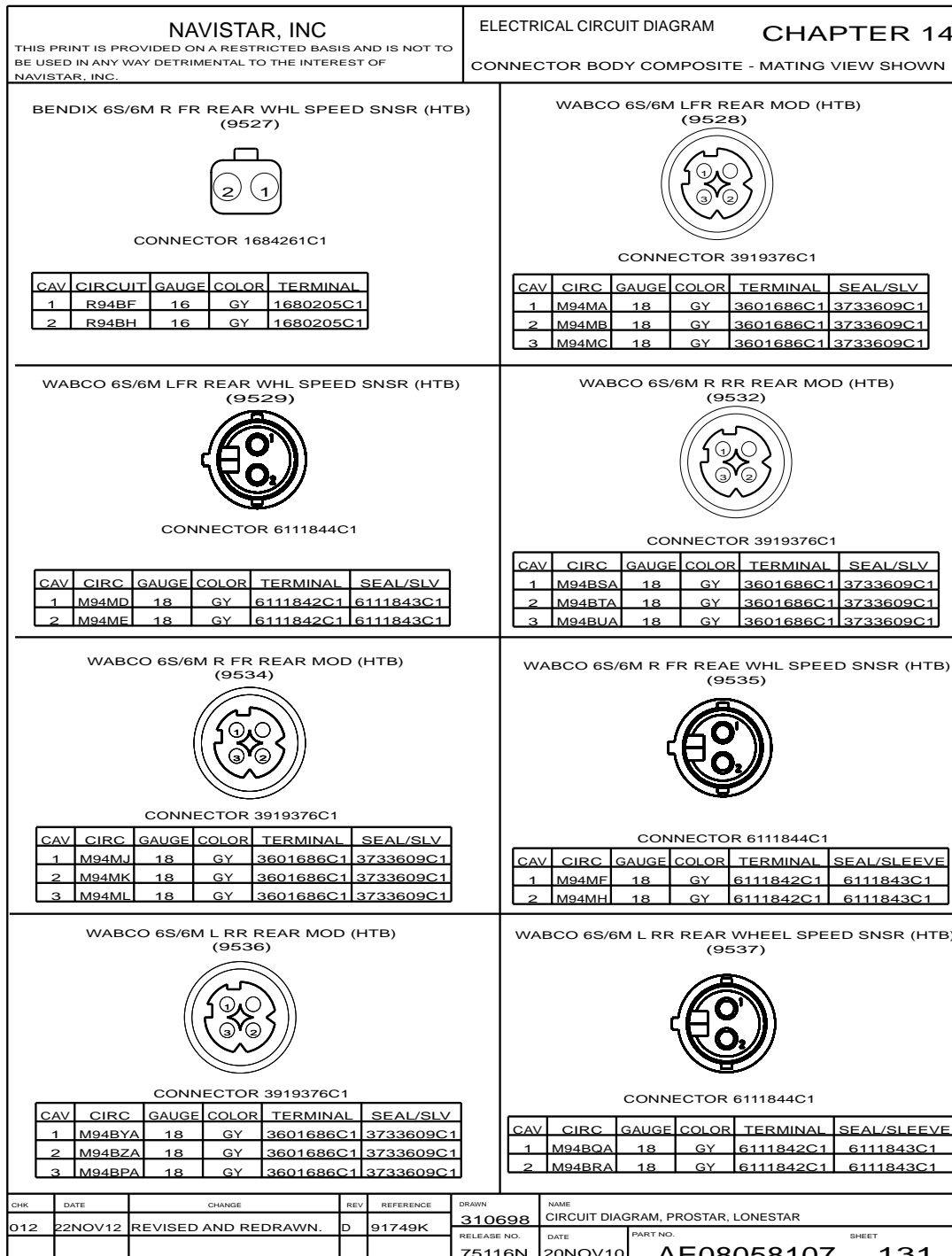


Figure 590 Connector Body Composite (9527), (9528), (9529), (9532), (9534), (9535), (9536), (9537)

14.211. CONNECTOR BODY COMPOSITE (9538), (9601D), (9602B), (9603D), (9604A), (9611), (9612), (9613), P. 132

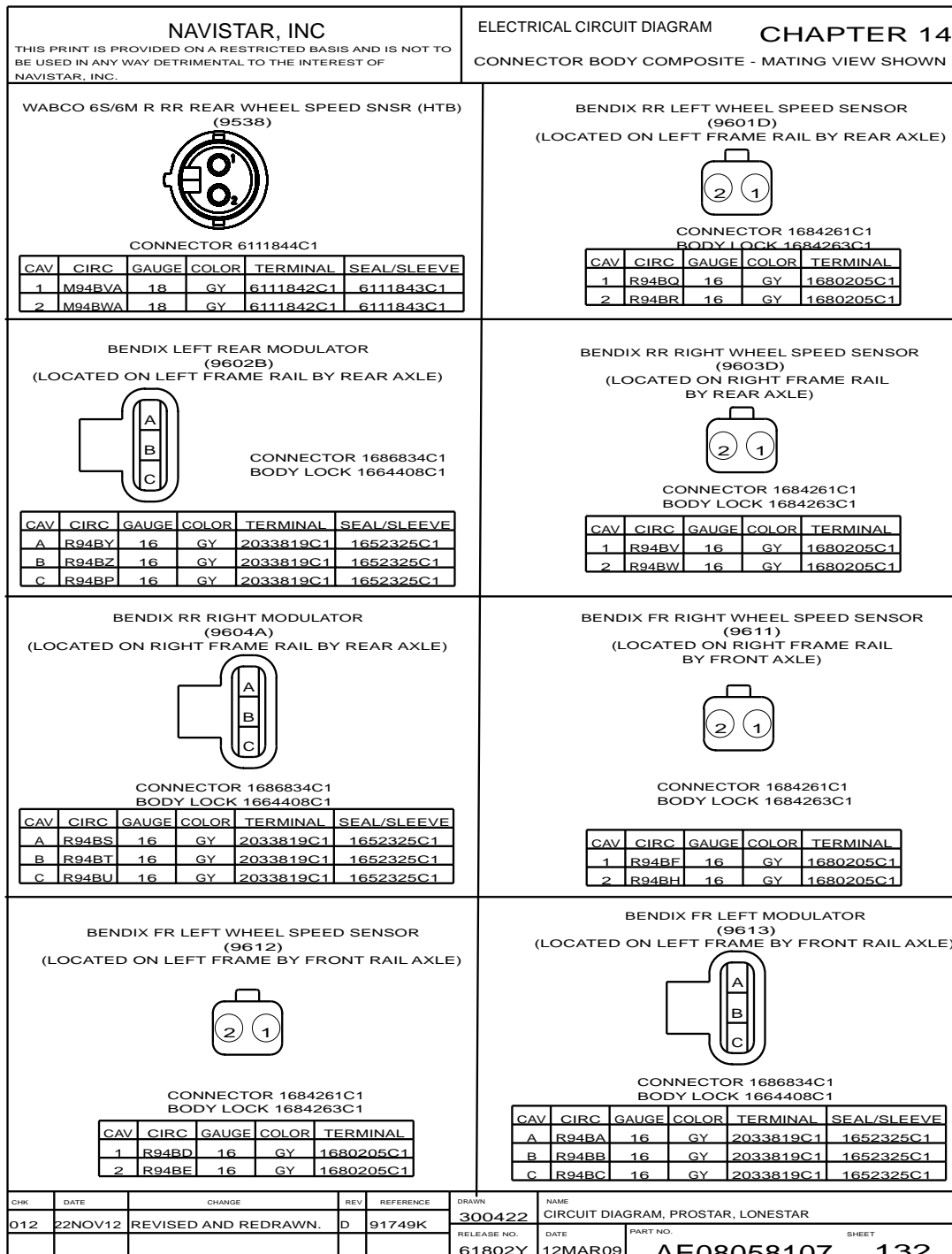


Figure 591 Connector Body Composite (9538), (9601D), (9602B), (9603D), (9604A), (9611), (9612), (9613)

14.212. CONNECTOR BODY COMPOSITE (9614), (9635), (9715F), (9715M), (9716M), (9716F), P. 133

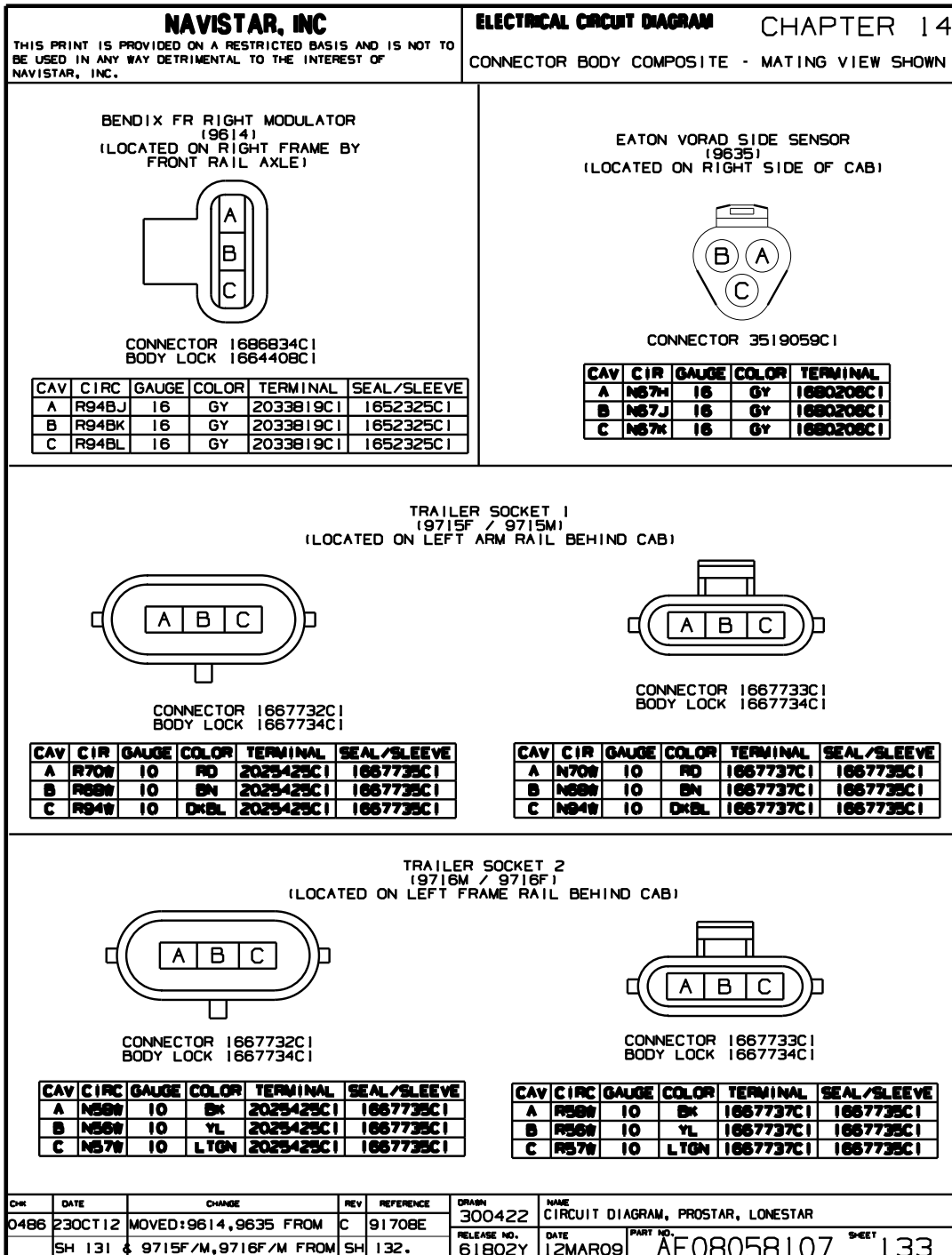


Figure 592 Connector Body Composite (9614), (9635), (9715F), (9715M), (9716M), (9716F)



14.213. CONNECTOR BODY COMPOSITE (9718), (9736), (9737), (9737A), (9768), (9769M), P. 134

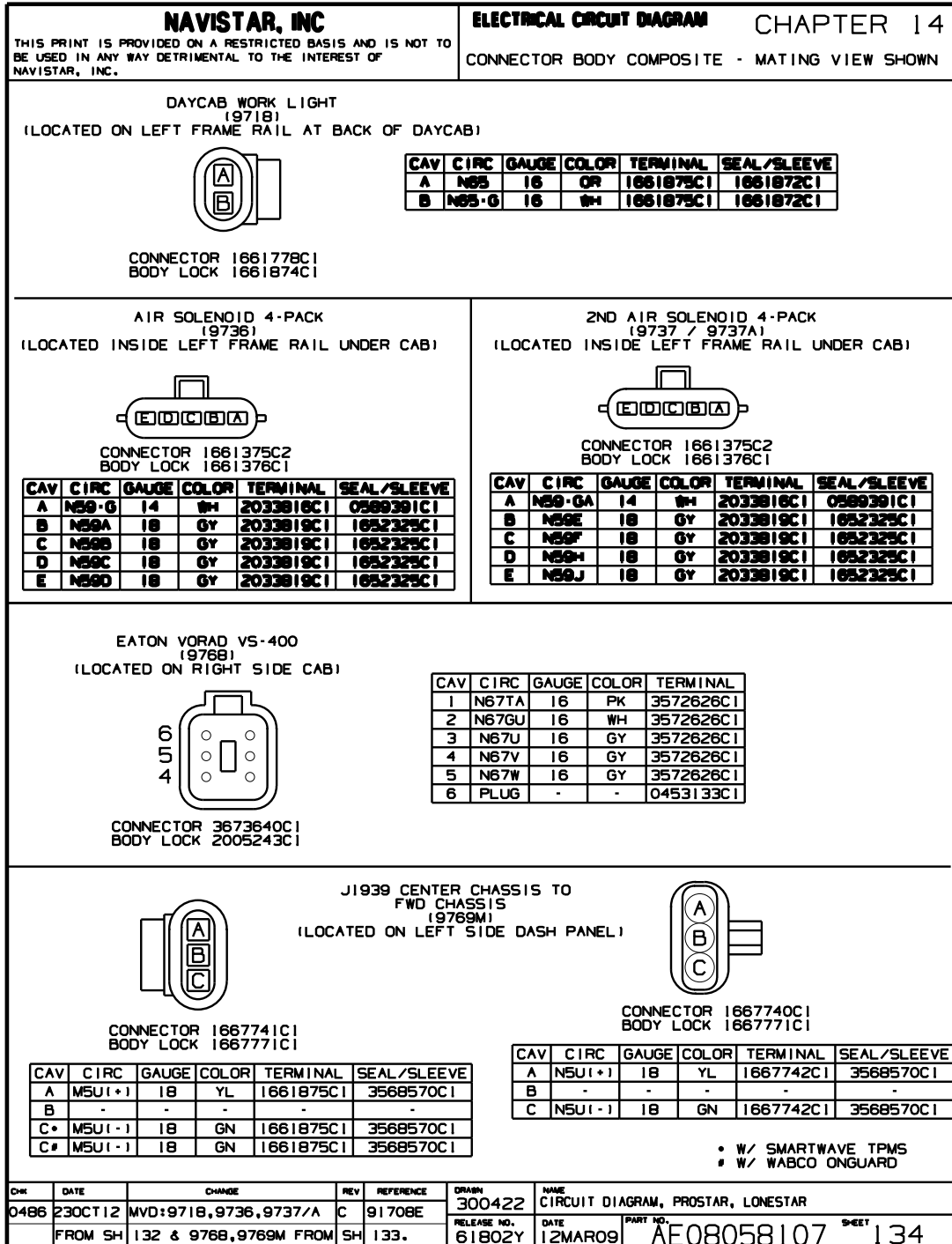


Figure 593 Connector Body Composite (9718), (9736), (9737), (9737A), (9768), (9769M)

14.214. CONNECTOR BODY COMPOSITE (9770M), (9770F), (9773), (9773A), (9773B), (9779F), (9779F1), P. 135

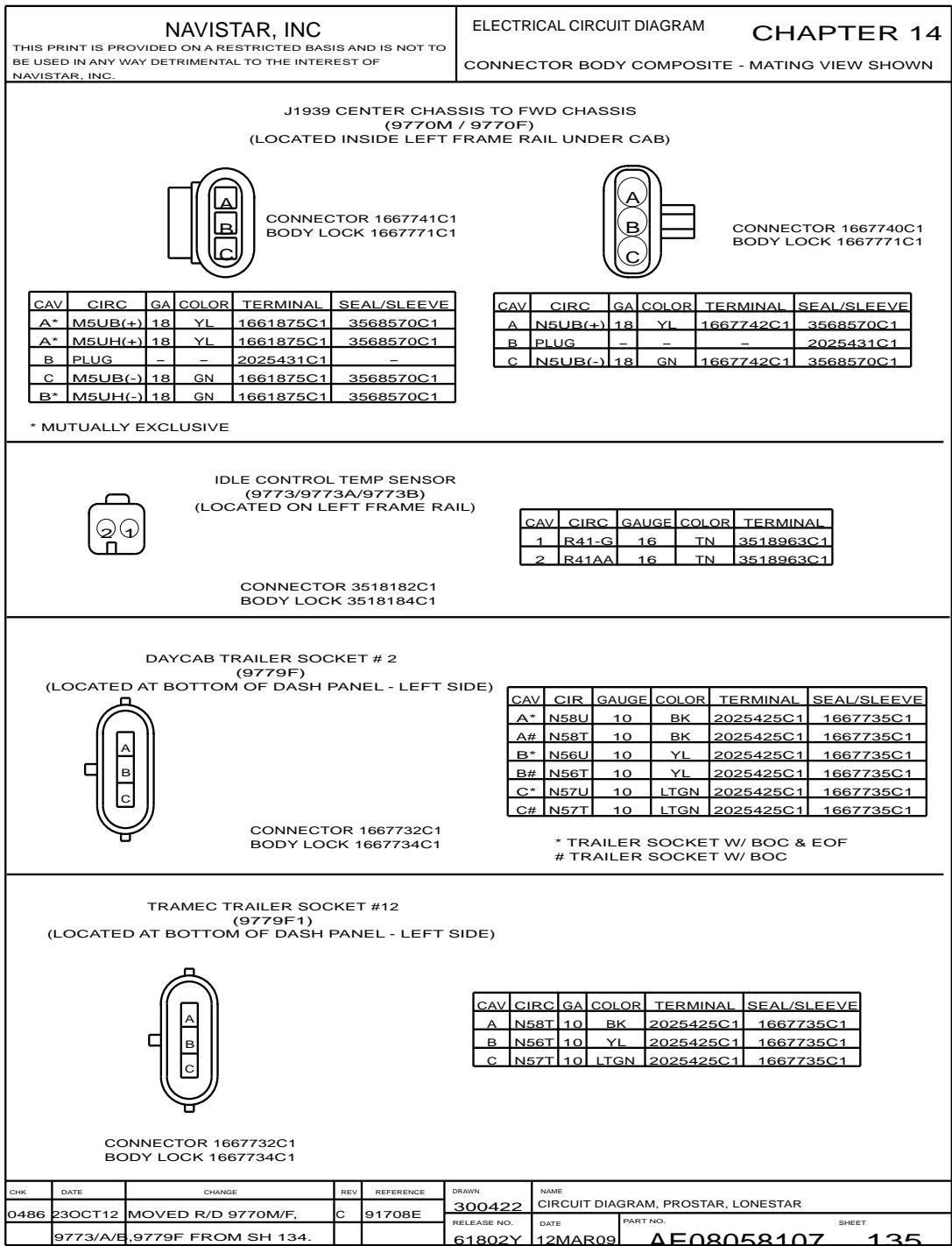


Figure 594 Connector Body Composite (9770M), (9770F), (9773), (9773A), (9773B), (9779F), (9779F1)

14.215. CONNECTOR BODY COMPOSITE (9780), (9780M) (9780M1), (9781F), (9782M), (9783M), (9783F), P. 136

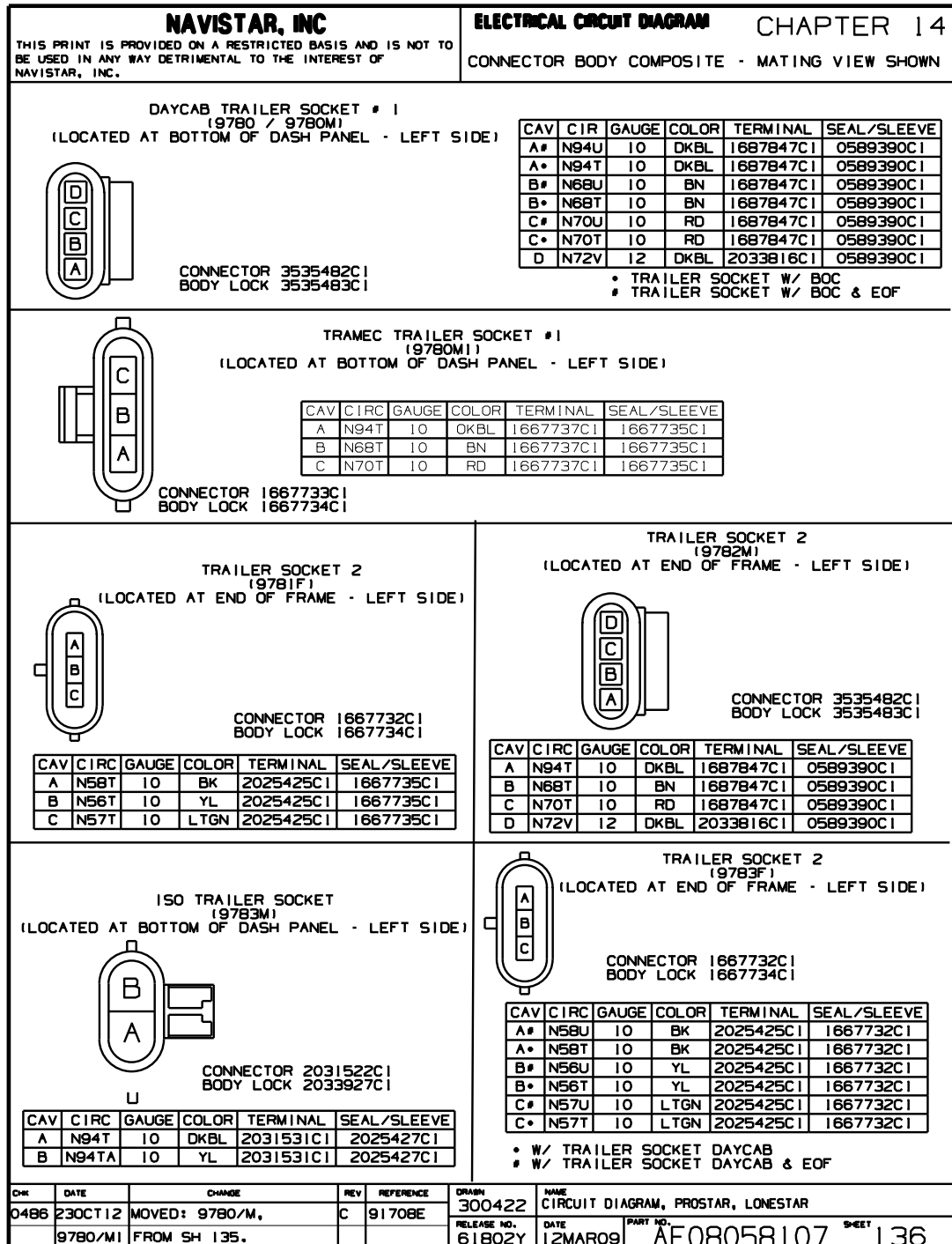


Figure 595 Connector Body Composite (9780), (9780M) (9780M1), (9781F), (9782M), (9783M), (9783F)

14.216. CONNECTOR BODY COMPOSITE (9784M), (9789F), (9789FA), (9790M), (9790MA), P. 137

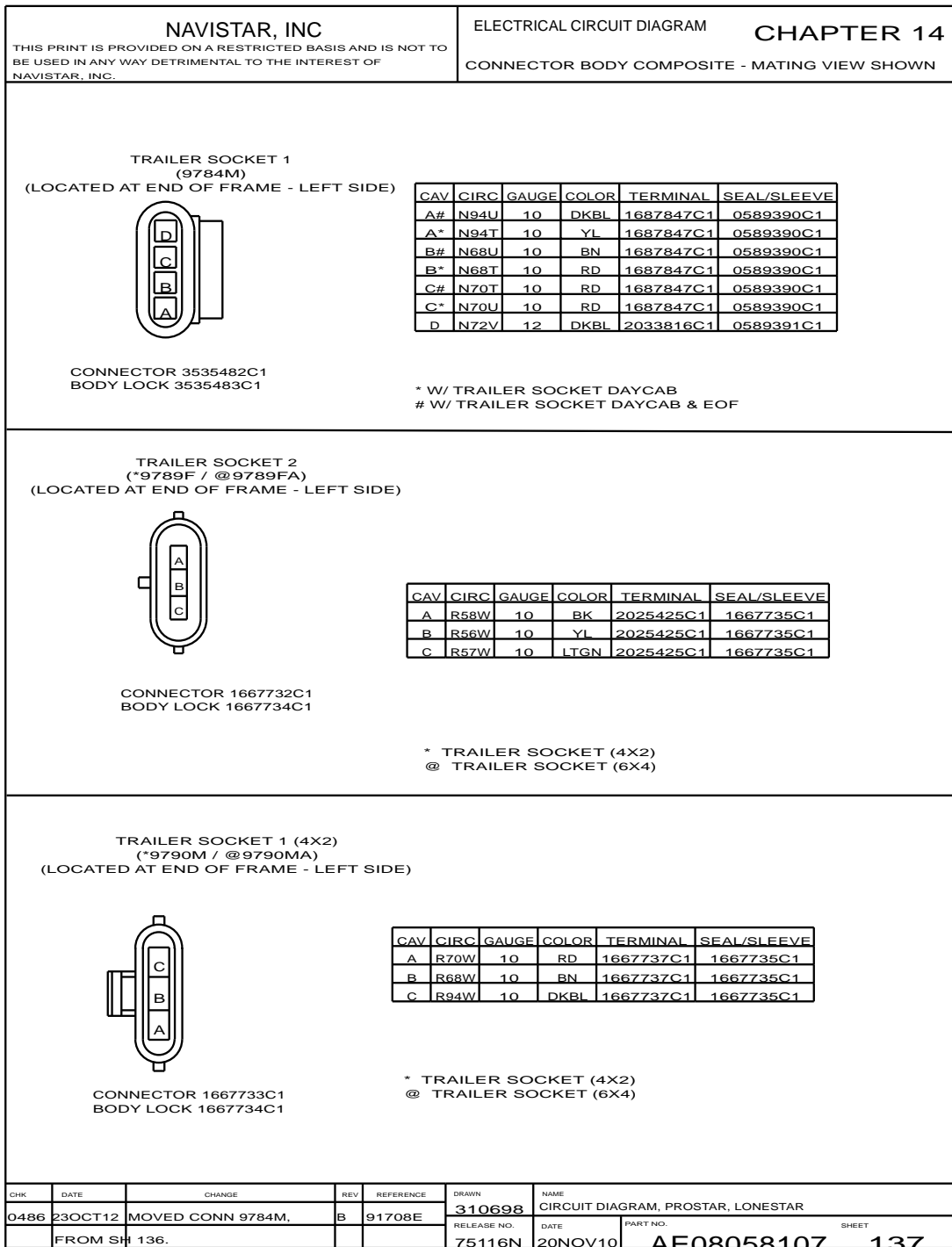


Figure 596 Connector Body Composite (9784M), (9789F), (9789FA), (9790M), (9790MA)

14.217. CONNECTOR BODY COMPOSITE (9800F), (9800M), P. 138

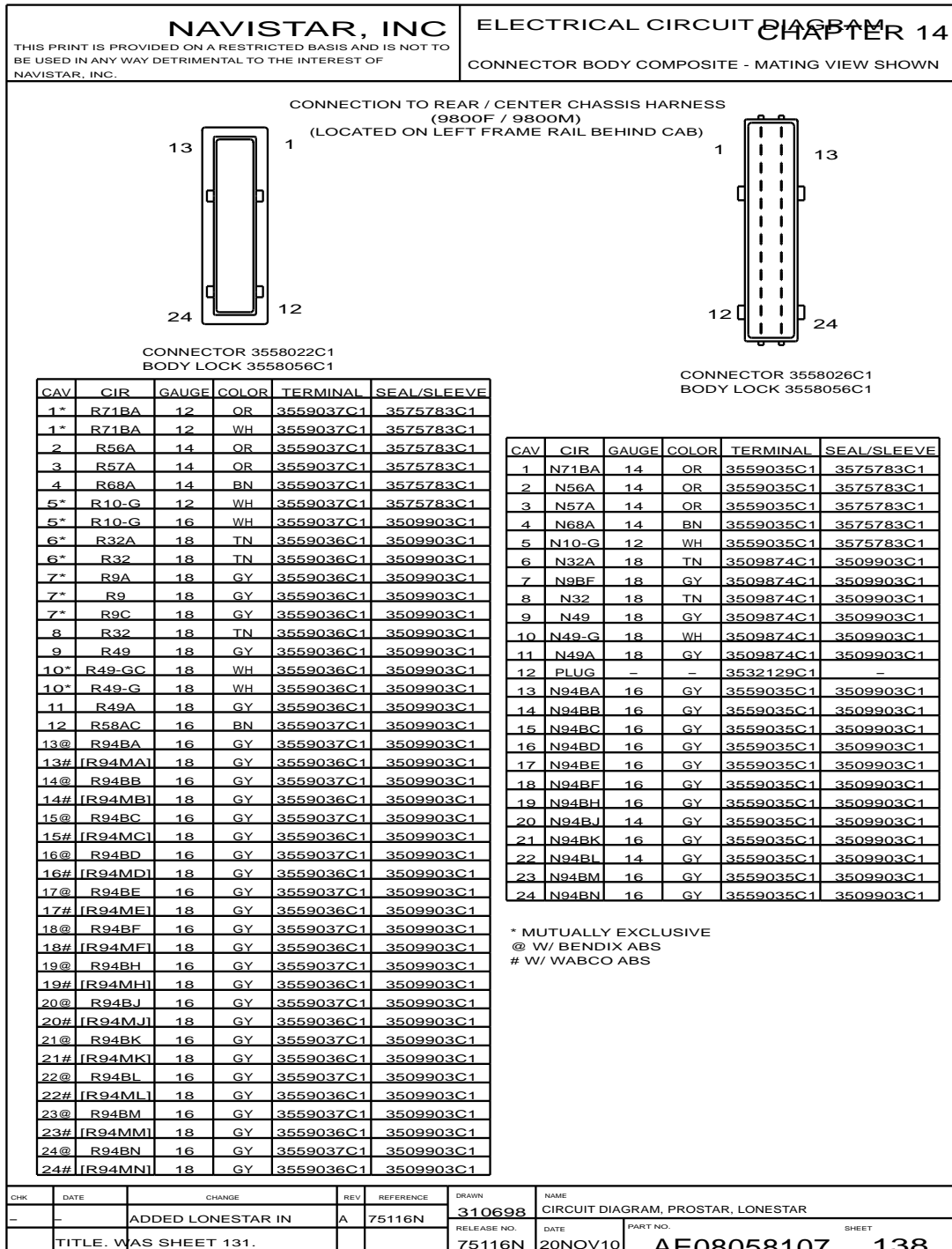


Figure 597 Connector Body Composite (9800F), (9800M)

14.218. CONNECTOR BODY COMPOSITE (9801M), (9801F), P. 139

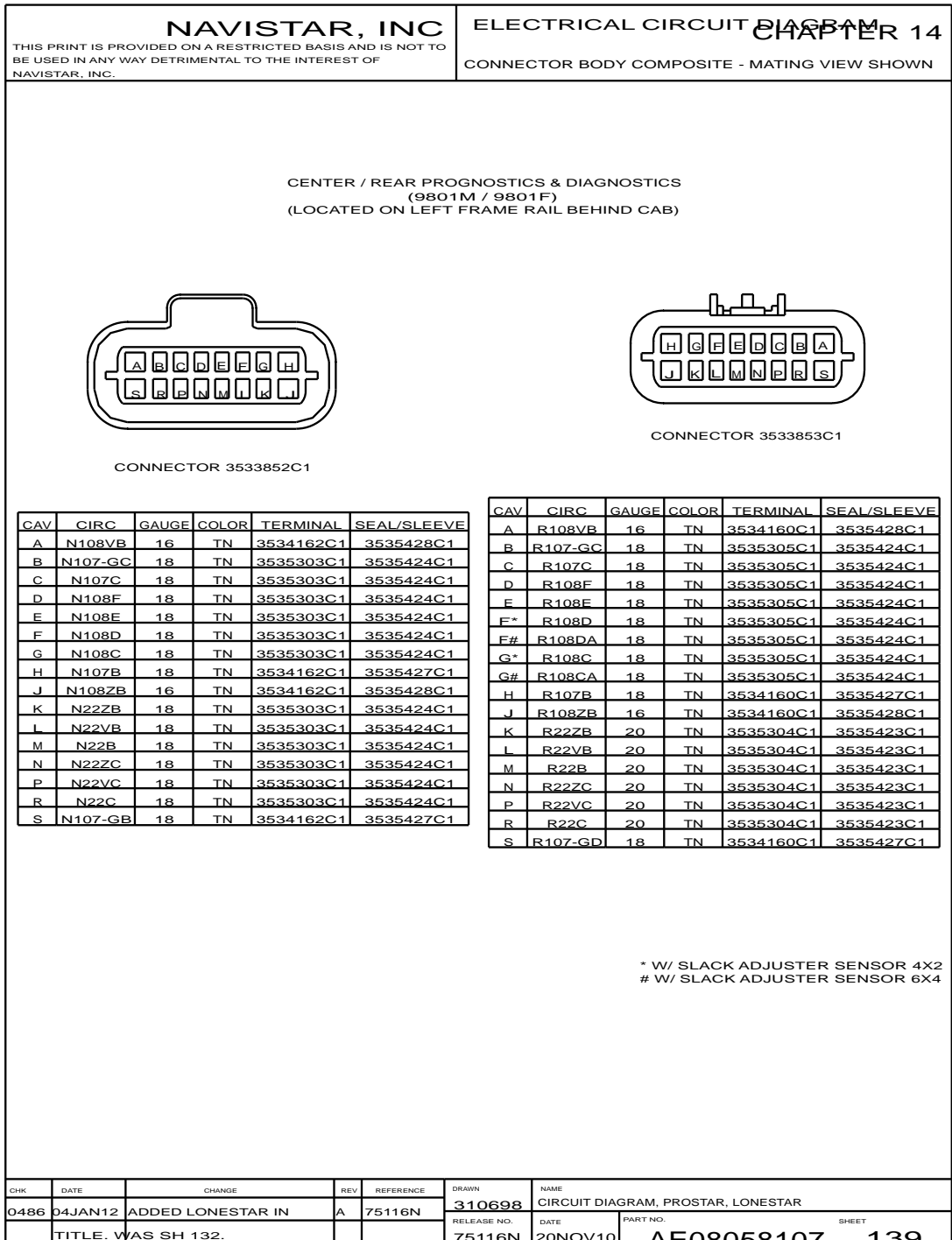


Figure 598 Connector Body Composite (9801M), (9801F)

14.219. CONNECTOR BODY COMPOSITE (9811), (9812), (9813), P. 140

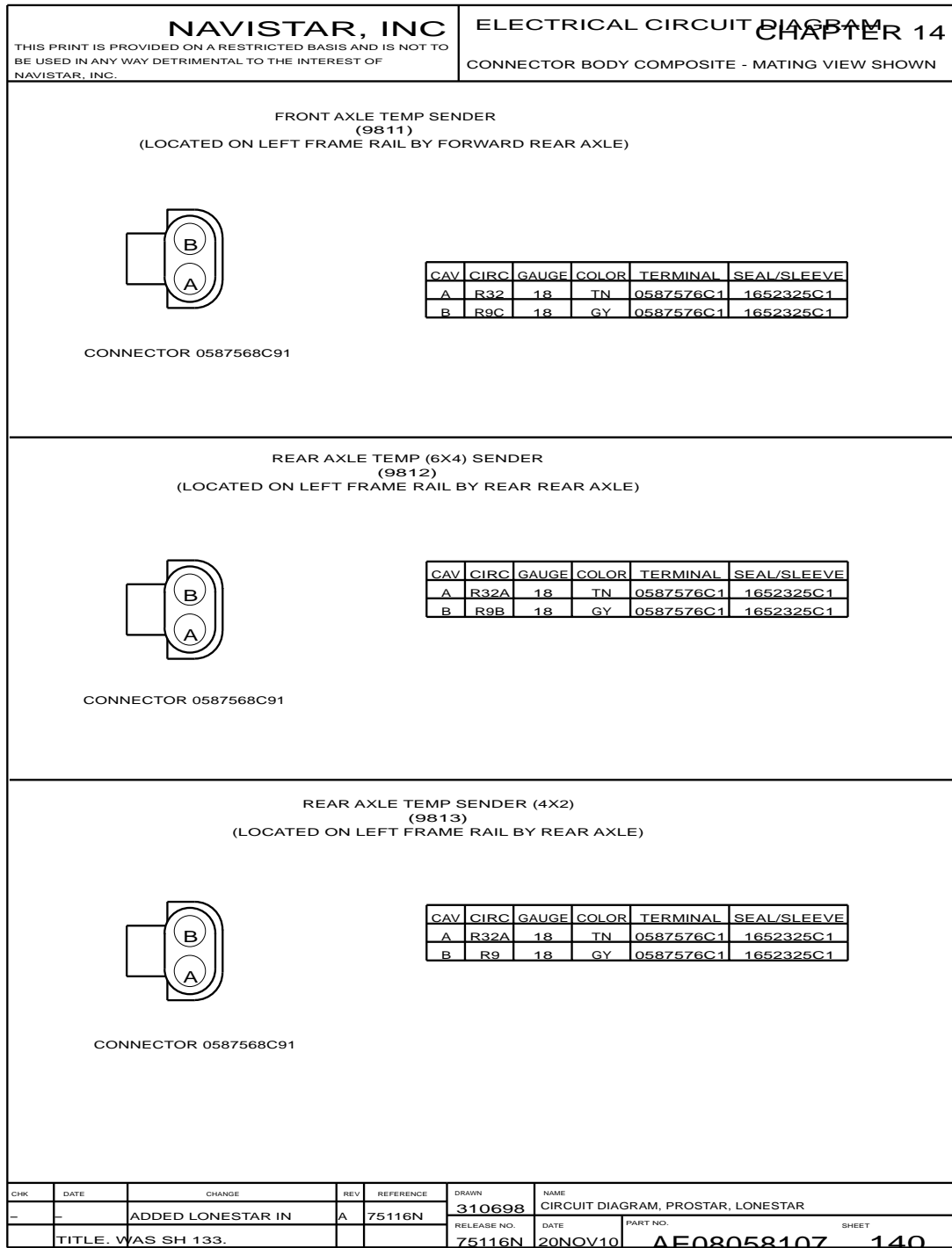


Figure 599 Connector Body Composite (9811), (9812), (9813)

14.220. CONNECTOR BODY COMPOSITE (9814), (9815), (9816), P. 141

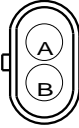
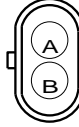
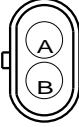
<b>NAVISTAR, INC</b>				<b>ELECTRICAL CIRCUIT DIAGRAM CHAPTER 14</b>																																	
THIS PRINT IS PROVIDED ON A RESTRICTED BASIS AND IS NOT TO BE USED IN ANY WAY DETRIMENTAL TO THE INTEREST OF NAVISTAR, INC.				CONNECTOR BODY COMPOSITE - MATING VIEW SHOWN																																	
<p>6X4 FORWARD REAR AXLE DIFF LOCKED INDICATOR SWITCH (9814) (LOCATED ON FRONT OF FORWARD REAR AXLE)</p>																																					
		<table border="1" style="width:100%; border-collapse: collapse; font-size: x-small;"> <thead> <tr> <th>CAV</th> <th>CIRC</th> <th>GAUGE</th> <th>COLOR</th> <th>TERMINAL</th> <th>SEAL/SLEEVE</th> </tr> </thead> <tbody> <tr> <td>A*</td> <td>R49A</td> <td>18</td> <td>GY</td> <td>0587578C1</td> <td>1652325C1</td> </tr> <tr> <td>A#</td> <td>R49</td> <td>18</td> <td>GY</td> <td>0587578C1</td> <td>1652325C1</td> </tr> <tr> <td>B*</td> <td>R49-GB</td> <td>18</td> <td>WH</td> <td>0587578C1</td> <td>1652325C1</td> </tr> <tr> <td>B#</td> <td>R49-G</td> <td>18</td> <td>WH</td> <td>0587578C1</td> <td>1652325C1</td> </tr> </tbody> </table>						CAV	CIRC	GAUGE	COLOR	TERMINAL	SEAL/SLEEVE	A*	R49A	18	GY	0587578C1	1652325C1	A#	R49	18	GY	0587578C1	1652325C1	B*	R49-GB	18	WH	0587578C1	1652325C1	B#	R49-G	18	WH	0587578C1	1652325C1
CAV	CIRC	GAUGE	COLOR	TERMINAL	SEAL/SLEEVE																																
A*	R49A	18	GY	0587578C1	1652325C1																																
A#	R49	18	GY	0587578C1	1652325C1																																
B*	R49-GB	18	WH	0587578C1	1652325C1																																
B#	R49-G	18	WH	0587578C1	1652325C1																																
CONNECTOR 0587567C91		* W/ TWO DIFF LOCK WARN LIGHT (6X4) # W/ ONE DIFF LOCK WARN LIGHT(6X4) W/ TAG																																			
<p>6X4 REAR REAR AXLE DIFF LOCKED INDICATOR SWITCH (9815) (LOCATED ON FRONT OF REAR REAR AXLE)</p>																																					
		<table border="1" style="width:100%; border-collapse: collapse; font-size: x-small;"> <thead> <tr> <th>CAV</th> <th>CIRC</th> <th>GAUGE</th> <th>COLOR</th> <th>TERMINAL</th> <th>SEAL/SLEEVE</th> </tr> </thead> <tbody> <tr> <td>A</td> <td>R49</td> <td>18</td> <td>GY</td> <td>0587578C1</td> <td>1652325C1</td> </tr> <tr> <td>B*</td> <td>R49-G</td> <td>18</td> <td>WH</td> <td>0587578C1</td> <td>1652325C1</td> </tr> <tr> <td>B#</td> <td>R49-GA</td> <td>18</td> <td>WH</td> <td>0587578C1</td> <td>1652325C1</td> </tr> </tbody> </table>						CAV	CIRC	GAUGE	COLOR	TERMINAL	SEAL/SLEEVE	A	R49	18	GY	0587578C1	1652325C1	B*	R49-G	18	WH	0587578C1	1652325C1	B#	R49-GA	18	WH	0587578C1	1652325C1						
CAV	CIRC	GAUGE	COLOR	TERMINAL	SEAL/SLEEVE																																
A	R49	18	GY	0587578C1	1652325C1																																
B*	R49-G	18	WH	0587578C1	1652325C1																																
B#	R49-GA	18	WH	0587578C1	1652325C1																																
CONNECTOR 0587567C91		* W/ ONE DIFF LOCK WARN LIGHT # W/ TWO DIFF LOCK WARN LIGHT																																			
<p>4X2 REAR AXLE DIFF LOCKED INDICATOR SWITCH (9816) (LOCATED ON FRONT OF REAR AXLE)</p>																																					
		<table border="1" style="width:100%; border-collapse: collapse; font-size: x-small;"> <thead> <tr> <th>CAV</th> <th>CIRC</th> <th>GAUGE</th> <th>COLOR</th> <th>TERMINAL</th> <th>SEAL/SLEEVE</th> </tr> </thead> <tbody> <tr> <td>A</td> <td>R49</td> <td>18</td> <td>GY</td> <td>0587578C1</td> <td>1652325C1</td> </tr> <tr> <td>B</td> <td>R49-G</td> <td>18</td> <td>WH</td> <td>0587578C1</td> <td>1652325C1</td> </tr> </tbody> </table>						CAV	CIRC	GAUGE	COLOR	TERMINAL	SEAL/SLEEVE	A	R49	18	GY	0587578C1	1652325C1	B	R49-G	18	WH	0587578C1	1652325C1												
CAV	CIRC	GAUGE	COLOR	TERMINAL	SEAL/SLEEVE																																
A	R49	18	GY	0587578C1	1652325C1																																
B	R49-G	18	WH	0587578C1	1652325C1																																
CONNECTOR 0587567C91																																					
CHK	DATE	CHANGE	REV	REFERENCE	DRAWN	NAME																															
0486	04JAN12	ADDED LONESTAR IN	A	75116N	310698	CIRCUIT DIAGRAM, PROSTAR, LONESTAR																															
TITLE. WAS SH 134.				RELEASE NO.	DATE	PART NO.	SHEET																														
				75116N	20NOV10	AE08058107	141																														

Figure 600 Connector Body Composite (9814), (9815), (9816)



14.221. CONNECTOR BODY COMPOSITE (9830), (9832), (9865F), (9865M), P. 142

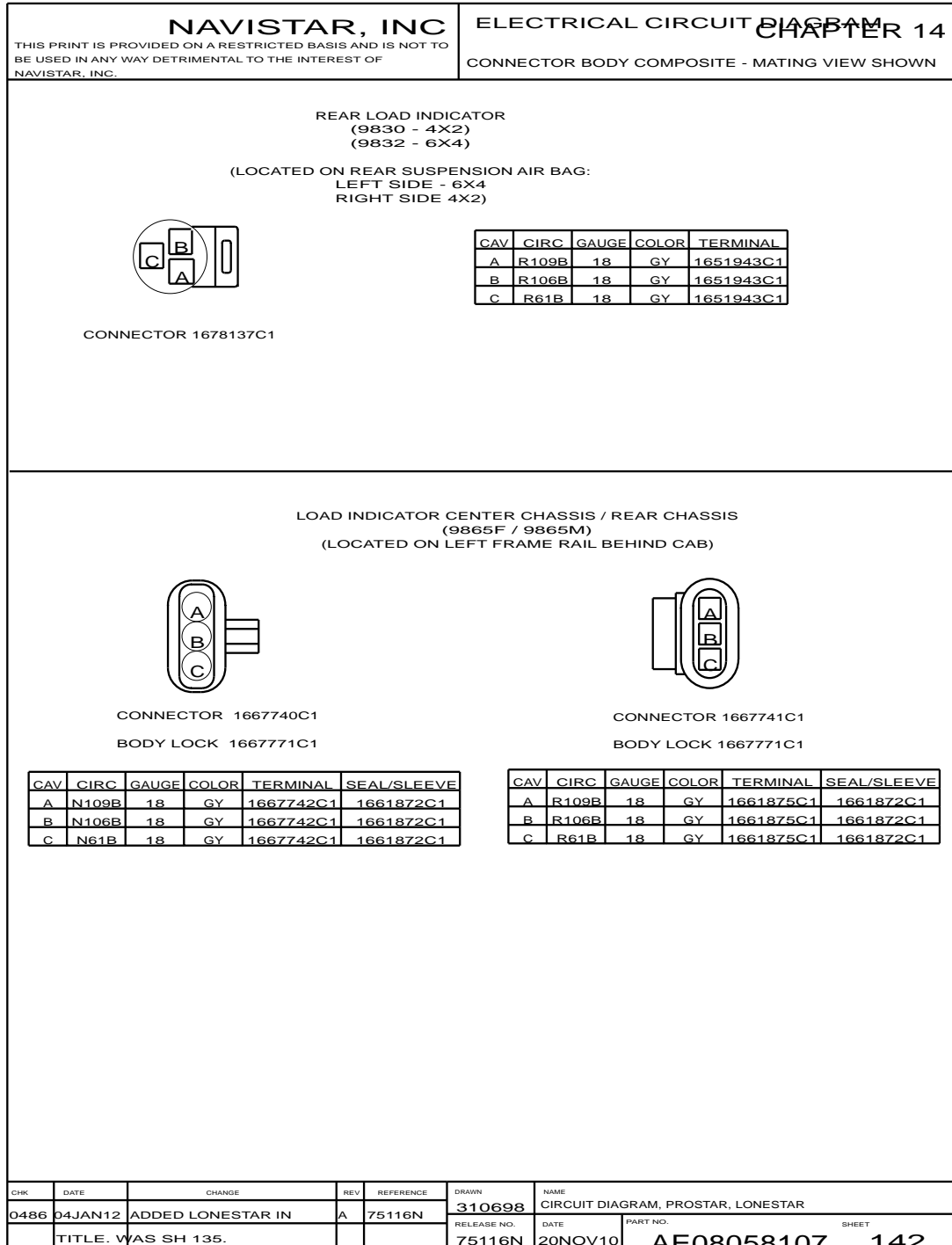


Figure 601 Connector Body Composite (9830), (9832), (9865F), (9865M)

14.222. CONNECTOR BODY COMPOSITE (9900), (9901), (9902), P. 143

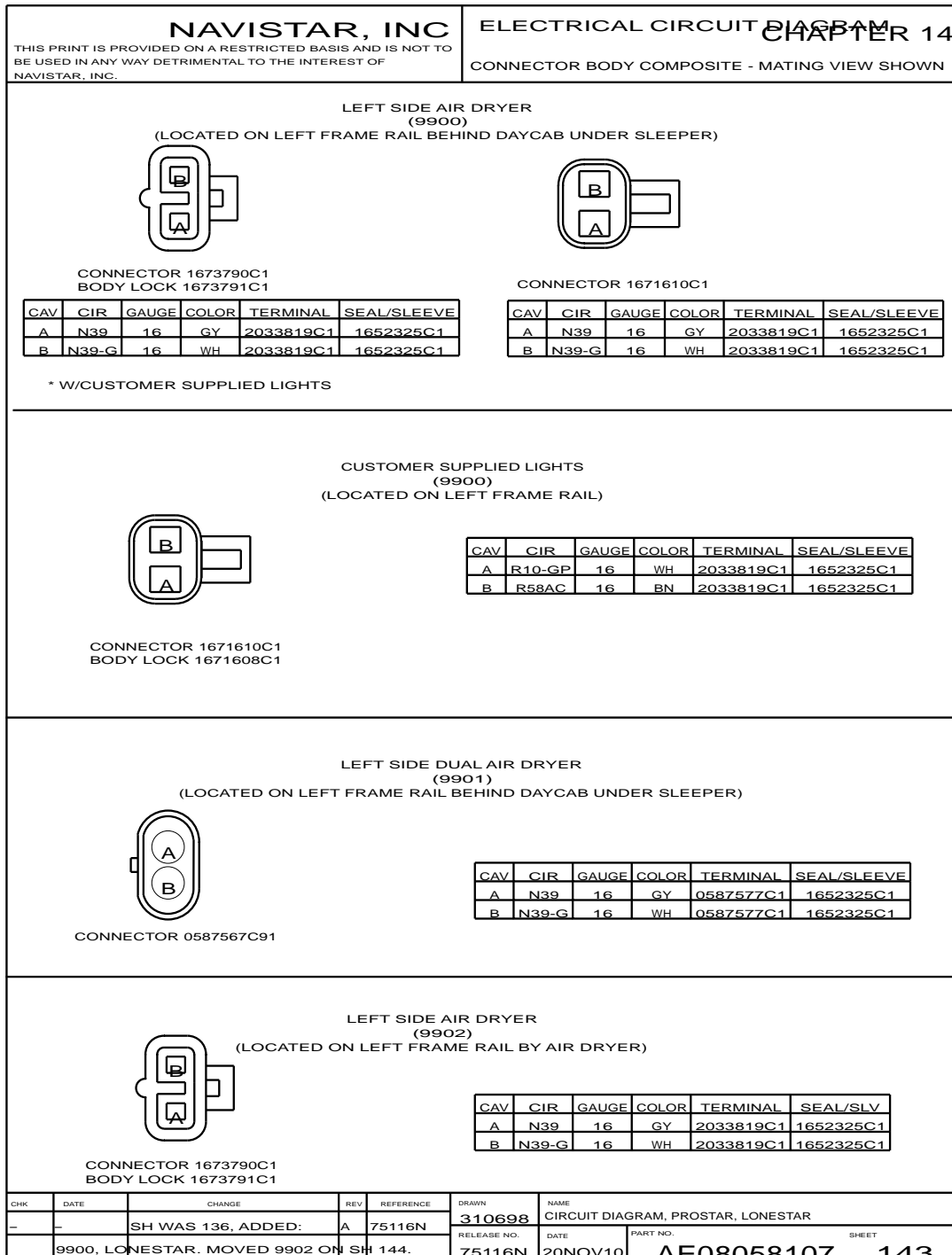


Figure 602 Connector Body Composite (9900), (9901), (9902)

14.223. CONNECTOR BODY COMPOSITE (9902), (9911), (9912), P. 144

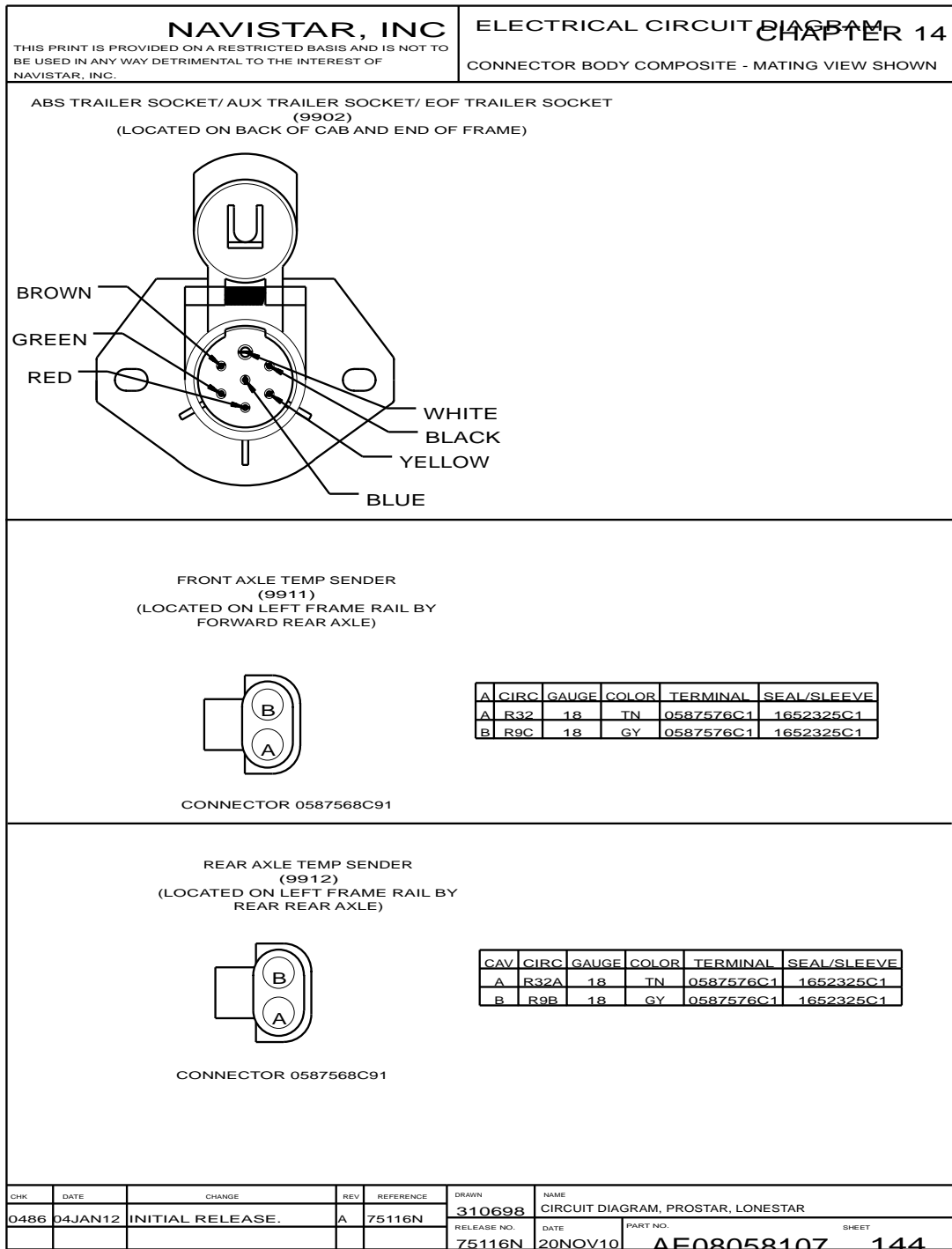


Figure 603 Connector Body Composite (9902), (9911), (9912)