

SERVICE MANUAL

SERVICE MANUAL SECTION

**3200, 4100, 4300, 4400, 7300, 7400, 7500, 7600, 7700, 8500, RXT
Models Built March 1, 2007 to March 18, 2008 — ELECTRICAL CIRCUIT
DIAGRAMS**

Model: 3200

Start Date: 03/01/2007 End Date: 03/18/2008

Model: 4100

Start Date: 03/01/2007 End Date: 03/18/2008

Model: 4300

Start Date: 03/01/2007 End Date: 03/18/2008

Model: 4400

Start Date: 03/01/2007 End Date: 03/18/2008

Model: 7300

Start Date: 03/01/2007 End Date: 03/18/2008

Model: 7400

Start Date: 03/01/2007 End Date: 03/18/2008

Model: 7500

Start Date: 03/01/2007 End Date: 03/18/2008

Model: 7600

Start Date: 03/01/2007 End Date: 03/18/2008

Model: 7700

Start Date: 03/01/2007 End Date: 03/18/2008

Model: 8500

Start Date: 03/01/2007 End Date: 03/18/2008

Model: 8600

Start Date: 03/01/2007 End Date: 03/18/2008

Model: RXT

Start Date: 03/01/2007 End Date: 03/18/2008

S08322

03/25/2009

Table of Contents

1. TABLE OF CONTENTS (CHAPTER 1).....	1
2. INSTRUCTIONS AND CHARTS (CHAPTER 2).....	1
2.1. ABBREVIATIONS, P. 1.....	1
2.2. ACRONYMS, P. 2.....	2
2.3. CIRCUIT DIAGRAM INSTRUCTIONS, P. 3.....	3
2.4. CIRCUIT NUMBER IDENTIFICATION AND COLOR, P. 4.....	4
2.5. CIRCUIT NUMBER IDENTIFICATION AND COLOR, P. 5.....	5
2.6. CIRCUIT NUMBER IDENTIFICATION AND COLOR, P. 6.....	6
2.7. LAMP BULB CHART, P. 7.....	7
2.8. RELAY FUNCTION AND WIRING GUIDE, P. 8.....	8
2.9. SCHEMATIC SYMBOL CHART, P. 9.....	9
2.10. SCHEMATIC SYMBOL CHART, P. 10.....	10
2.11. SCHEMATIC SYMBOL CHART, P. 11.....	11
2.12. SCHEMATIC SYMBOL CHART, P.12.....	12
3. 12 VOLT POWER DISTRIBUTION, GROUNDS, DATA BUS AND ELECTRICAL SYSTEM CONTROLLER (CHAPTER 3).....	13
3.1. BATTERY FEED, P. 1.....	13
3.2. BATTERY FEED, P. 2.....	14
3.3. BATTERY FEED, P. 3.....	15
3.4. ACCESSORY FEED, P. 4.....	16
3.5. IGNITION FEED — STANDARD, THEFT DETERRENT, REMOTE START/STOP, P. 5.....	17
3.6. IGNITION FEED RELAY 1, P. 6.....	18
3.7. IGNITION FEED RELAY 2, P. 7.....	19
3.8. IGNITION FEED RELAY 3, P. 8.....	20
3.9. J1708 DATA LINK — PUBLIC EFFECTS, P. 9.....	21
3.10. J1708 DATA LINK — PUBLIC EFFECTS, P. 10.....	22
3.11. J1708 DATA LINK — PRIVATE WITH POWER WINDOW AND LOCK, P. 11.....	23
3.12. J1939 DATA LINK, P. 12.....	24
3.13. J1939 DATA LINK WITH OPTIONS, P. 13.....	25
3.14. J1939 DATA LINK WITH OPTIONS, P. 14.....	26
3.15. J1939 DATA LINK — ISM 2007 ENGINE, P. 15.....	27
3.16. J1939 DATA LINK — I6 2007 ENGINE, P. 16.....	28
3.17. J1939 DATA LINK — C11/C13 2007 ENGINE, P. 17.....	29
3.18. GROUND — IP, P. 18.....	30
3.19. GROUND — IP, P. 19.....	31
3.20. GROUND — IP, P. 20.....	32
3.21. GROUND — IP, P. 21.....	33
3.22. ENGINE GROUND, P. 22.....	34
3.23. ENGINE GROUND, P. 23.....	35
3.24. GROUND — CHASSIS, P. 24.....	36
3.25. GROUND — CHASSIS WITH HEAVY DUTY DIESEL, P. 25.....	37
3.26. GROUND — CHASSIS, P. 26.....	38
3.27. ZERO VOLT REFERENCE, P. 27.....	39
3.28. ZERO VOLT REFERENCE, P. 28.....	40
3.29. GROUND — CHASSIS, P. 29.....	41

3.30. J1939 DATA LINK WITH V8 ENGINE, P. 30.....	42
4. CAB ACCESSORIES (CHAPTER 4).....	43
4.1. CIGAR LIGHTER AND POWER FEED, P. 1.....	43
4.2. CIGAR LIGHTER AND POWER FEED, P. 2.....	44
4.3. CB POWER RADIO, P. 3.....	45
4.4. COMPASS AND TEMPERATURE DISPLAY, P. 4.....	46
4.5. FRONT DOOR WINDOWS AND LOCKS (POWER), P. 5.....	47
4.6. FRONT DOOR WINDOWS AND LOCKS (POWER) FOR CREW, P. 6.....	48
4.7. HORN, ELECTRIC AND AIR, P. 7.....	49
4.8. HORN, ELECTRIC AND AIR, P. 8.....	50
4.9. MIRRORS (HEATED, LIGHTED AND POWER), P. 9.....	51
4.10. MIRRORS (HEATED, LIGHTED AND POWER), P. 9A.....	52
4.11. DUAL HEATED MOTORIZED MIRRORS WITH HEATED WINDSHIELD, P. 9B.....	53
4.12. RADIO (ENTERTAINMENT), SPEAKERS WITH 12 WAY CONN, P. 10.....	54
4.13. RADIO (ENTERTAINMENT), SPEAKERS WITH 16 WAY CONN, P. 11.....	55
4.14. 2-WAY RADIO, P. 12.....	56
4.15. WINDSHIELD WIPER, P. 13.....	57
4.16. WASHER PUMP, P. 14.....	58
4.17. SWITCH PACK OPTIONAL GAUGE PACK, P. 15.....	59
4.18. ROOF AUXILIARY LOAD, P. 16.....	60
4.19. SATELLITE COMMUNICATION — QUALCOMM IMCT, P. 17.....	61
4.20. SATELLITE COMMUNICATION — TRIPMASTER, P. 18.....	62
4.21. COMPUTER PREWIRED — XATA SYSTEM, P. 19.....	63
4.22. CADEC GPS SYSTEM, P. 20.....	64
4.23. SATELLITE COMMUNICATION — MOBILEMAX, P. 21.....	65
4.24. SELF CONTAINED AIR SEAT, P. 22.....	66
4.25. HEATED SEATS, P. 23.....	67
4.26. TELEMATICS SYSTEM, P. 24.....	68
4.27. EATON VORAD COLLISION AVOIDANCE SYSTEM, P. 25.....	69
4.28. EATON VORAD COLLISION AVOIDANCE SYSTEM, P. 26.....	70
4.29. DRIVER DISPLAY, P. 27.....	71
4.30. BACK-UP CAMERA, P. 28.....	72
4.31. SATELLITE COMMUNICATION — QUALCOMM MCT, P. 29.....	73
4.32. SATELLITE COMMUNICATION — QUALCOMM MCT WITH MVPC KEYBOARD, P. 30.....	74
4.33. SATELLITE COMMUNICATION — QUALCOMM TMCT, P. 31.....	75
4.34. SATELLITE COMMUNICATION — QUALCOMM TMCT, P. 32.....	76
4.35. AIR SHIELD LIGHT, P. 33.....	77
5. 12V CHARGING + CRANKING SYSTEM (CHAPTER 5).....	78
5.1. I6 / V8 ENGINES WITH MANUAL TRANSMISSION, P. 1.....	78
5.2. CAT — CUMMINS ENGINES WITH MANUAL TRANSMISSION, P. 2.....	79
5.3. I6 / V8 ENGINES WITH ALLISON TRANSMISSION, P. 3.....	80
5.4. CAT — CUMMINS ENGINES WITH ALLISON TRANSMISSION, P. 4.....	81
5.5. I6 ENGINE WITH AUTOSHIFT, ULTRASHIFT AND EATON HYBRID TRANSMISSION, P. 5.....	82
5.6. CAT — CUMMINS ENGINES WITH AUTOSHIFT AND ULTRASHIFT TRANSMISSION, P. 6.....	83
5.7. I6 POWER PACK, P. 7.....	84
5.8. ROCKER START, P. 8.....	85
6. FANS AND ENGINE ACCESSORIES (CHAPTER 6).....	86
6.1. FAN WIRING, I6 / V8 2007 ENGINES, P. 1.....	86
6.2. FAN WIRING, ISM, C11-C13 2007 ENGINES, P. 2.....	87
6.3. STARTING AID — ETHER START, P. 3.....	88

6.4. SNOW VALVE, P. 4.....	89
7. ELECTRONIC ENGINES (CHAPTER 7).....	90
7.1. ELECTRONIC ENGINE CONTROLS, CAT ENGINES, P. 1.....	90
7.2. ELECTRONIC ENGINE CONTROLS, CAT ENGINES, P. 2.....	91
7.3. ENGINE BODY BUILDER — REMOTE ENGINE CONTROL (CAT/IBBE ENGINE), P. 3.....	92
7.4. ELECTRONIC ENGINE CONTROLS, ISM ENGINES, P. 4.....	93
7.5. ELECTRONIC ENGINE CONTROLS, ISM ENGINES, P. 5.....	94
7.6. ELECTRONIC ENGINE CONTROLS, ISM ENGINES, P. 6.....	95
7.7. ELECTRONIC ENGINE CONTROLS, I6 ENGINES, P. 7.....	96
7.8. ELECTRONIC ENGINE CONTROLS, I6 ENGINES, P. 8.....	97
7.9. ELECTRONIC ENGINE CONTROLS, I6 ENGINES, P. 9.....	98
7.10. ELECTRONIC ENGINE CONTROLS, I6 ENGINES, P. 10.....	99
7.11. ELECTRONIC ENGINE CONTROLS, I6 ENGINES, P. 11.....	100
7.12. ELECTRONIC ENGINE CONTROLS — V8 ENGINES, P. 12.....	101
7.13. ELECTRONIC ENGINE CONTROLS — V8 ENGINES, P. 13.....	102
7.14. ELECTRONIC ENGINE CONTROLS — V8 ENGINES, P. 14.....	103
7.15. CRUISE CONTROL, P. 15.....	104
8. GAUGES WITH AND WITHOUT INTERNAL WARNING LIGHT (CHAPTER 8).....	105
8.1. IP/GAUGES, P. 1.....	105
8.2. WARNING LIGHT LIST, P. 2.....	106
8.3. WARNING LIGHTS CONTROLLED BY ENGINE, TRANSMISSION, ABS CONTROLLER, P. 3.....	107
8.4. ENGINE OIL PRESSURE AND TEMP, SPEEDOMETER, TACHOMETER, VOLTMETER AND WATER TEMP GAUGE CIRCUITS, P. 4.....	108
8.5. IP/GAUGES AND WARNING LIGHTS — GAUGE CLUSTER, P. 5.....	109
8.6. AIR PRESSURE INPUT CIRCUIT, P. 6.....	110
8.7. AXLE TEMPERATURE, GAUGE INPUT CIRCUIT, P. 7.....	111
8.8. FUEL GAUGE CIRCUITRY (SINGLE TANK), P. 8.....	112
8.9. DIFFERENTIAL LOCK WARNING LAMPS, P. 9.....	113
8.10. AIR PARK BRAKE AND MANUAL TRANSMISSION OIL TEMP GAUGE, P. 10.....	114
8.11. GAUGES AND WARNING LIGHTS — AMMETER, P. 11.....	115
8.12. ENGINE OIL TEMPERATURE GAUGE WITH CATERPILLAR, P. 12.....	116
8.13. FRONT AXLE ENGAGEMENT LAMP, P. 13.....	117
8.14. WARNING LIGHTS — OPTIONAL, P. 14.....	118
8.15. WARNING LIGHTS — OPTIONAL, P. 15.....	119
8.16. LOAD MONITORING, P. 16.....	120
9. LIGHTS (CHAPTER 9).....	121
9.1. BACKUP LIGHTS N/ ALLISON TRANSMISSION, P. 1.....	121
9.2. BACKUP LIGHTS W/ ALLISON TRANSMISSION, P. 2.....	122
9.3. LIGHT SYSTEMS — CLEARANCE, MARKER, PARK, TAIL, TURN AND STOP LIGHTS, P. 3.....	123
9.4. LIGHT SYSTEMS — CLEARANCE, MARKER, PARK, TAIL, TURN AND STOP LIGHTS (CONT.), P. 4.....	124
9.5. LIGHT SYSTEMS — CLEARANCE, MARKER, PARK, TAIL, TURN AND STOP LIGHTS (CONT.), P. 5.....	125
9.6. LIGHT SYSTEMS — CLEARANCE, MARKER, PARK, TAIL, TURN AND STOP LIGHTS (CONT.), P. 6.....	126
9.7. LIGHT SYSTEMS — TURN SIGNAL AND STOP SWITCHES, P. 7.....	127
9.8. DOME LIGHT, MAP LIGHT, P. 8.....	128
9.9. DOME LIGHT, MAP LIGHT (CONT.), P. 9.....	129

9.10. DOME LIGHT, MAP LIGHT (CONT.), P. 10.....	130
9.11. FOG LIGHT AND WORK LIGHT, P. 11.....	131
9.12. HEADLIGHTS, P. 12.....	132
9.13. AUX. HEADLIGHTS, SNOW PLOW LIGHTS, P. 13.....	133
9.14. AUX. HEADLIGHTS, SNOW PLOW LIGHTS (CONT), P. 14.....	134
9.15. PANEL LIGHTS, P. 15.....	135
10. CHASSIS ACCESSORIES (CHAPTER 10).....	136
10.1. ABS — BENDIX AIR, P. 1.....	136
10.2. ABS — BENDIX AIR, P. 2.....	137
10.3. ABS — BENDIX AIR, P. 3.....	138
10.4. ABS — WABCO AIR, P. 4.....	139
10.5. ABS — WABCO AIR, P. 5.....	140
10.6. WABCO FULL POWER BRAKES, P. 6.....	141
10.7. WABCO FULL POWER BRAKES, P. 7.....	142
10.8. WABCO FULL POWER BRAKES, P. 8.....	143
10.9. BODY BUILDER AND TRAILER — TURN, MARKERS AND STOP, P. 9.....	144
10.10. BODY BUILDER AND TRAILER — TURN, MARKERS AND STOP, P. 10.....	145
10.11. TRAILER SOCKET — SOC AND EOF, P. 11.....	146
10.12. BODY BUILDER AND TRAILER SOCKET — SOC AND EOF, P. 12.....	147
10.13. BODY BUILDER CONNECTIONS, P. 13.....	148
10.14. REMOTE START / STOP, P. 14.....	149
10.15. AUX TRAILER CIRCUIT, P. 15.....	150
10.16. TWO SPEED AXLE SWITCH, P. 16.....	151
10.17. AIR SOLENOID, P. 17.....	152
10.18. AIR SOLENOID, P. 18.....	153
10.19. REMOTE POWER UNITS, SOLENOID PACKS, REMOTE ENGINE SPEED CONTROLLER, P. 19.....	154
10.20. BLANK PAGE, P. 20.....	155
10.21. AUX AND POWER SOURCE, P. 21.....	156
10.22. AIR DRYER AND HEATED DRAIN VALVE, P. 22.....	157
10.23. FUEL / WATER SEPARATOR, P. 23.....	158
10.24. ELECTRIC TRAILER BRAKE, P. 24.....	159
10.25. LECTRASHIFT ACCOMMODATION, P. 25.....	160
10.26. HOUR METER — PTO, P. 26.....	161
10.27. AUX INPUTS AND DRIVERS, P. 27.....	162
10.28. FUEL TRANSFER PUMP, P. 28.....	163
10.29. BLANK PAGE, P. 29.....	164
10.30. TELEMATICS AWARE — BODY BUILDER, P. 30.....	165
10.31. PRESSURE SWITCH, P. 31.....	166
10.32. LIFT GATE, P. 32.....	167
10.33. WHEELCHAIR LIFT INTERLOCK, P. 33.....	168
10.34. LIFT AXLE WITH CONTROLS FOR ONE LIFT AXLE, P. 34.....	169
10.35. LIFT AXLE (NON-STEERABLE), P. 35.....	170
10.36. LIFT AXLE (STEERABLE), P. 36.....	171
10.37. LIFT AXLES, P. 37.....	172
10.38. LIFT AXLES, P. 37A.....	173
10.39. ABS — BENDIX AIR 6S/6M, P. 38.....	174
10.40. ABS — BENDIX AIR 6S/6M, P. 39.....	175
10.41. LIFT AXLE WITH CONTROLS FOR TWO LIFT AXLES, P. 40.....	176
10.42. LIFT AXLE WITH CONTROLS FOR THREE LIFT AXLES, P. 41.....	177
10.43. LIFT AXLE WITH CONTROLS FOR FOUR LIFT AXLES, P. 42.....	178
10.44. ABS ESP / RSP, P. 43.....	179

10.45. ABS ESP / RSP, P. 44.....	180
11. TRANSMISSIONS (CHAPTER 11).....	181
11.1. ALLISON GEN 4 1/2000 TRANSMISSION WITH I6 AND WITH V8 ENGINE, P. 1.....	181
11.2. ALLISON GEN 4 1/2000 TRANSMISSION WITH I6 AND WITH V8 ENGINE, P. 2.....	182
11.3. ALLISON GEN 4 1/2000 TRANSMISSION W/ I6, CAT, ISM ENGINE, P. 3.....	183
11.4. TRANSMISSION, ALLISON MD WITH I6 AND WITH V8 ENGINE, P. 4.....	184
11.5. TRANSMISSION, ALLISON MD 3/4000 WITH I6 AND WITH V8 ENGINE, P. 5.....	185
11.6. TRANSMISSION, ALLISON MD/HD (WTEC) WITH I6 AND WITH V8 ENGINE, P. 6.....	186
11.7. TRANSMISSION, ALLISON MD/HD (WTEC) WITH I6 AND WITH V8 ENGINE (CONT.), P. 7.....	187
11.8. TRANSMISSION, ALLISON MD (WTEC), P. 8.....	188
11.9. TRANSMISSION, ALLISON MD (WTEC), P. 8A.....	189
11.10. TRANSMISSION, ALLISON MD (WTEC) (ISM ENGINE), P. 9.....	190
11.11. TRANSMISSION, ALLISON MD (WTEC) (ISM ENGINE), P. 10.....	191
11.12. EATON AUTOSHIFT TRANSMISSION W/ I6 ENGINE, P. 11.....	192
11.13. EATON AUTOSHIFT TRANSMISSION, P. 12.....	193
11.14. TRANSMISSION ALLISON MD (WTEC) W/ CAT ENGINE, P. 13.....	194
11.15. TRANSMISSION ALLISON MD (WTEC) W/ CAT ENGINE, P. 14.....	195
11.16. TRANSMISSION RETARDER CONTROLS WIRING WITH MD TRANSMISSION HARD WIRED EFFECTS, P. 15.....	196
11.17. EATON AUTO AND ULTRASHIFT GEN 3 TRANSMISSION W/ CAT AND W/ ISM ENGINE, P. 16.....	197
11.18. ALLISON TRANSMISSION 3/4000 GEN 4 WITH AUTO NEUTRAL, P. 17.....	198
11.19. EATON ULTRASHIFT GEN 3 / MERITOR — G — MANUAL TRANSMISSION, P. 18.....	199
11.20. EATON HYBRID TRANSMISSION, P. 19.....	200
11.21. EATON HYBRID TRANSMISSION, P. 20.....	201
11.22. EATON HYBRID TRANSMISSION, P. 21.....	202
11.23. EATON HYBRID TRANSMISSION, P. 22.....	203
11.24. EATON HYBRID TRANSMISSION, P. 23.....	204
11.25. TRANSMISSION ALLISON MD (WTEC) WITH CAT ENGINE, P. 24.....	205
11.26. FREEDOMLINE TRANSMISSION WITH CAT AND ISM ENGINE, P. 25.....	206
12. AIR CONDITIONING (CHAPTER 12).....	207
12.1. AIR CONDITIONING, P. 1.....	207
12.2. AIR CONDITIONING, P. 2.....	208
12.3. HVAC SYSTEM, P. 3.....	209
12.4. HVAC SYSTEM, P. 4.....	210
12.5. HVAC SYSTEM, P. 5.....	211
12.6. AUTOTHERM SYSTEM, P. 6.....	212
13. CONNECTOR COMPOSITES (CHAPTER 13).....	213
13.1. CONNECTOR COMPOSITES (1J), (2J), (71), P. 1.....	213
13.2. CONNECTOR COMPOSITES (72), (254F), (254M), (345), (400), P. 2.....	214
13.3. CONNECTOR COMPOSITES (421), (422), (422F), (423), (424), (425), P. 3.....	215
13.4. CONNECTOR COMPOSITES (520), (521), (522), (523), (524), (827), P. 4.....	216
13.5. CONNECTOR COMPOSITES (830), (1002), (1003), (1006), P. 5.....	217
13.6. CONNECTOR COMPOSITES (1008), (1009), P. 6.....	218
13.7. CONNECTOR COMPOSITE (1010), P. 7.....	219
13.8. CONNECTOR COMPOSITE (1011), P. 8.....	220
13.9. CONNECTOR COMPOSITE (1012), P. 9.....	221
13.10. CONNECTOR COMPOSITE (1013), P. 10.....	222
13.11. CONNECTOR COMPOSITE (1014), P. 11.....	223

13.12. CONNECTOR COMPOSITE (1015), P. 12.....	224
13.13. CONNECTOR COMPOSITE (1016), P. 13.....	225
13.14. CONNECTOR COMPOSITE (1017), P. 14.....	226
13.15. CONNECTOR COMPOSITE (1018), P. 15.....	227
13.16. CONNECTOR COMPOSITE (1019), P. 16.....	228
13.17. CONNECTOR COMPOSITES (1020), P. 17.....	229
13.18. CONNECTOR COMPOSITES (1021), (1022), (1023A), (1023B), P. 18.....	230
13.19. CONNECTOR COMPOSITES (1023C), (1023D), (1024), (1025), P. 18A.....	231
13.20. CONNECTOR COMPOSITES (1025), (1026), (1029), P. 19.....	232
13.21. CONNECTOR COMPOSITES (1100), (1100MA), (1101), (1101A), P. 20.....	233
13.22. CONNECTOR COMPOSITES (1105), (1106), (1107), (1108), P. 21.....	234
13.23. CONNECTOR COMPOSITES (1109), (1110), (1200), P. 22.....	235
13.24. CONNECTOR COMPOSITES (1210), (1227), (1227M), (1228), P. 23.....	236
13.25. CONNECTOR COMPOSITES (1229), (1230F), (1231), (1240F), P. 24.....	237
13.26. CONNECTOR COMPOSITES (1242), (1243), (1300), (1301), (1338), P. 25.....	238
13.27. CONNECTOR COMPOSITES (1378), (1400), (1401), (1402), P. 26.....	239
13.28. CONNECTOR COMPOSITES (1403), (1410), P. 26A.....	240
13.29. CONNECTOR COMPOSITES (1420), (1421), (1500), P. 27.....	241
13.30. CONNECTOR COMPOSITES (1501), (1510), (1511), (1512), P. 28.....	242
13.31. CONNECTOR COMPOSITES (1556), (1557), (1558), (1600), P. 29.....	243
13.32. CONNECTOR COMPOSITE (1601), P. 30.....	244
13.33. CONNECTOR COMPOSITE (1602), P. 31.....	245
13.34. CONNECTOR COMPOSITES (1603), (1604), (1620), (1623), P. 32.....	246
13.35. CONNECTOR COMPOSITES (1625), (1626), (1650), (1657), P. 33.....	247
13.36. CONNECTOR COMPOSITES (1660), (1661), P. 34.....	248
13.37. CONNECTOR COMPOSITE (1700), P. 35.....	249
13.38. CONNECTOR COMPOSITE (1700), P. 36.....	250
13.39. CONNECTOR COMPOSITE (1700), P. 37.....	251
13.40. CONNECTOR COMPOSITE (1701), P. 38.....	252
13.41. CONNECTOR COMPOSITE (1701), P. 39.....	253
13.42. CONNECTOR COMPOSITE (1701), P. 40.....	254
13.43. CONNECTOR COMPOSITE (1702), P. 41.....	255
13.44. CONNECTOR COMPOSITE (1702), P. 42.....	256
13.45. CONNECTOR COMPOSITE (1702), P. 43.....	257
13.46. CONNECTOR COMPOSITE (1702), P. 44.....	258
13.47. CONNECTOR COMPOSITES (1800), P. 45.....	259
13.48. CONNECTOR COMPOSITES (1804), (1807), (1808), P. 46.....	260
13.49. CONNECTOR COMPOSITES (1809), (1810), (1811), (1812), (1813), (1815), (1822), P. 47.....	261
13.50. CONNECTOR COMPOSITES (1820), (1821), P. 47A.....	262
13.51. CONNECTOR COMPOSITES (1823), (1824), (1825), (1826), (1827), P. 48.....	263
13.52. CONNECTOR COMPOSITES (1828), (1852), (1860), P. 48A.....	264
13.53. CONNECTOR COMPOSITES (1861), (1872), (1873), (1874), (1875), (1900), P. 49.....	265
13.54. CONNECTOR COMPOSITES (1901), (1902), (1910), (1912), (1916), P. 50.....	266
13.55. CONNECTOR COMPOSITES (1918), (1923), (1927), (1929), (1935), (2000), P. 51.....	267
13.56. CONNECTOR COMPOSITES (2000), (2002), (2003), (2004), (2005), (2006), P. 52.....	268
13.57. CONNECTOR COMPOSITES (2020), (2021), (2022), (2115), (2116), (2116M), (2117), (2117M), P. 53.....	269
13.58. CONNECTOR COMPOSITES (2301), (2302), (2303), (2304), (2305), (2502), P. 54.....	270
13.59. CONNECTOR COMPOSITES (2503), (2600), (2601), (2602), P. 55.....	271
13.60. CONNECTOR COMPOSITES (2700), (2700M), P. 56.....	272
13.61. CONNECTOR COMPOSITES (2701), (2701F), (2701G), (2702), P. 57.....	273
13.62. CONNECTOR COMPOSITES (2703), (3000), (3002), (3003), P. 58.....	274

13.63. CONNECTOR COMPOSITES (3100), (3200), (3201), P. 59.....	275
13.64. CONNECTOR COMPOSITES (3202), (3203), (3204), (3208), P. 60.....	276
13.65. CONNECTOR COMPOSITES (3209), (3210), (3211), (3400), (4003), (4004), P. 61.....	277
13.66. CONNECTOR COMPOSITES (4017), (4018), (4019), (4021), (4022), (4037), (4038), (4070), (4071), P. 62.....	278
13.67. CONNECTOR COMPOSITES (4087), (4087A), (4111M), (4120), (4320), P. 63.....	279
13.68. CONNECTOR COMPOSITES (4321), (4322), (4323), (4410D), (4410E), (4410F), P. 64.....	280
13.69. CONNECTOR COMPOSITES (4410H), (4410K), (4410L), (4410M), P. 65.....	281
13.70. CONNECTOR COMPOSITES (4450AM), (4450M), (4460AM), (4460BF), P. 66.....	282
13.71. CONNECTOR COMPOSITES (4460BM), (4460M), (4500), (4905), P. 67.....	283
13.72. CONNECTOR COMPOSITES (4906), (4950), (4951), (5117), P. 68.....	284
13.73. CONNECTOR COMPOSITES (6000), (6001), P. 69.....	285
13.74. CONNECTOR COMPOSITES (6010), (6011), P. 70.....	286
13.75. CONNECTOR COMPOSITES (6020M), P. 71.....	287
13.76. CONNECTOR COMPOSITES (6020), P. 72.....	288
13.77. CONNECTOR COMPOSITES (6022), (6023), P. 73.....	289
13.78. CONNECTOR COMPOSITES (6200), (6201), (6259), (6260), P. 74.....	290
13.79. CONNECTOR COMPOSITES (6261), (6262), (6263), (6304), (6323), P. 75.....	291
13.80. CONNECTOR COMPOSITES (6334), (6400), (6401), P. 76.....	292
13.81. CONNECTOR COMPOSITES (6402), (6403), (6406M), P. 77.....	293
13.82. CONNECTOR COMPOSITES (6407M), (6550), (6650), (6701), P. 77A.....	294
13.83. CONNECTOR COMPOSITES (6702), (6703), (6703M), (6704), P. 78.....	295
13.84. CONNECTOR COMPOSITES (6704M), (6712), (6714), (6747), P. 79.....	296
13.85. CONNECTOR COMPOSITES (6900), (6901), (7103), (7103M), (7104), P. 80.....	297
13.86. CONNECTOR COMPOSITES (7104), (7105), P. 81.....	298
13.87. CONNECTOR COMPOSITES (7110), (7111), P. 82.....	299
13.88. CONNECTOR COMPOSITES (7150), P. 83.....	300
13.89. CONNECTOR COMPOSITES (7150F), P. 84.....	301
13.90. CONNECTOR COMPOSITES (7151), P. 85.....	302
13.91. CONNECTOR COMPOSITES (7205M), (7206F), P. 86.....	303
13.92. CONNECTOR COMPOSITES (7210), (7211), (7212), (7213), P. 87.....	304
13.93. CONNECTOR COMPOSITES (7250), (7251), (7350), P. 88.....	305
13.94. CONNECTOR COMPOSITES (7500), (7502M), (7600), (7601), (7601M), P. 89.....	306
13.95. CONNECTOR COMPOSITES (7602), (7603), (7604), (7605), (7607), (7608), (7609), (7611), P. 90.....	307
13.96. CONNECTOR COMPOSITES (7615), (7700), (7702), (7703), (7801), P. 91.....	308
13.97. CONNECTOR COMPOSITES (7801M), (7802), P. 92.....	309
13.98. CONNECTOR COMPOSITES (7905), (7909), P. 93.....	310
13.99. CONNECTOR COMPOSITES (7910), (7911), P. 93A.....	311
13.100. CONNECTOR COMPOSITES (8000), (8001), (8102), (8103), (8150), (8151), P. 94.....	312
13.101. CONNECTOR COMPOSITES (8200), (8201), (8301), (8303), (8305), (8310), (8311), P. 95.....	313
13.102. CONNECTOR COMPOSITES (8312), (8500), (8501), (8502), (8502A), (8503), (8503A), P. 96.....	314
13.103. CONNECTOR COMPOSITES (8505), (8506), (8507), (8508), (8509), (8601), (8602), P. 97.....	315
13.104. CONNECTOR COMPOSITES (8700), (8701), (8750), P. 97A.....	316
13.105. CONNECTOR COMPOSITES (8800), (8801), (8802), (8803), P. 98.....	317
13.106. CONNECTOR COMPOSITES (8803), (8805), (8806), P. 99.....	318
13.107. CONNECTOR COMPOSITES (8807), (8809), (8900), (9001), P. 100.....	319
13.108. CONNECTOR COMPOSITES (9100), (9101), (9102), (9103), (9108), (9255), (9260), (9261), (9280), P. 101.....	320
13.109. CONNECTOR COMPOSITES (9300), (9303), P. 102.....	321

13.110. CONNECTOR COMPOSITES (9310), (9311), (9315), (9316), (9501), (9502), (9503), (9504), P. 103.....	322
13.111. CONNECTOR COMPOSITES (9506), (9510), (9510A), (9510B), (9510F), (9510M), P. 104.....	323
13.112. CONNECTOR COMPOSITE (9511), P. 105.....	324
13.113. CONNECTOR COMPOSITES (9512), (9513), (9514), P. 106.....	325
13.114. CONNECTOR COMPOSITES (9516), (9517), (9518), (9519), (9520), (9521), (9522), (9523), (9524), P. 107.....	326
13.115. CONNECTOR COMPOSITES (9524), (9530), P. 108.....	327
13.116. CONNECTOR COMPOSITES (9715), (9716), P. 109.....	328
13.117. CONNECTOR COMPOSITES (9718), (9719M), (9720), (9736), (9737), P. 110.....	329
13.118. CONNECTOR COMPOSITE (9740), P. 111.....	330
13.119. CONNECTOR COMPOSITES (9740), (9745), (9746), (9747), (9748), P. 112.....	331
13.120. CONNECTOR COMPOSITES (9751), (9752), (9753), (9753A), (9754), P. 113.....	332
13.121. CONNECTOR COMPOSITES (9758), (9759), (9760), P. 114.....	333
13.122. CONNECTOR COMPOSITE (9761), P. 115.....	334
13.123. CONNECTOR COMPOSITES (9761F), (9762), (9763), (9764), (9765), (9766), P. 116.....	335
13.124. CONNECTOR COMPOSITES (9775), (9777), (9777A), (9778), P. 117.....	336
13.125. CONNECTOR COMPOSITES (9779F), (9780M), (9781M), (9782F), P. 118.....	337
13.126. CONNECTOR COMPOSITES (9800), P. 119.....	338
13.127. CONNECTOR COMPOSITES (9811), (9812), (9814), (9815), (9820M), P. 120.....	339
13.128. CONNECTOR COMPOSITES (9830), (9832), (9900), (9900E), P. 121.....	340
13.129. CONNECTOR COMPOSITES (9913B), (9915), (9920), (9921), (9994), (9999), P. 122.....	341

1. TABLE OF CONTENTS (CHAPTER 1)

2. INSTRUCTIONS AND CHARTS (CHAPTER 2)

2.1. ABBREVIATIONS, P. 1

INTERNATIONAL TRUCK AND ENGINE CORPORATION		ELECTRICAL CIRCUIT DIAGRAM		CHAPTER 2	
THIS PRINT IS PROVIDED ON A RESTRICTED BASIS AND IS NOT TO BE USED IN ANY WAY DETRIMENTAL TO THE INTEREST OF INTERNATIONAL TRUCK AND ENGINE CORPORATION.		ABBREVIATIONS			
ABBREVIATION	DESCRIPTION	ABBREVIATION	DESCRIPTION	ABBREVIATION	DESCRIPTION
ACCESS	ACCESSORY	CRUS	CRUISE	PWR	POWER
ACCUM	ACCUMULATOR	CUR	CURRENT	PRESS	PRESSURE
AC	AIR CONDITIONING	DPNL	DASHBOARD	RAD	RADIO
AIR CLNR	AIR CLEANER	DFTR	DEFLECTOR	RLY	RELAY
ALT	ALTERNATOR	DFR	DEFROSTER	RES	RESISTOR
ACCEL	ACCELERATOR	DEG	DEGREE	REGEN	REGENERATE
AFTR	AFTERTREATMENT	DIAG	DIAGRAM	R	RIGHT
AMM	AMMETER	DSL	DIESEL	RTR	ROTOR
AMP	AMPERE	DIFF	DIFFERENTIAL	SNR	SENSOR
AMP HR	AMPERE HOUR	DIMR	DIMMER	SHLD	SHIELD
AMPL	AMPLIFIER	ELEC	ELECTRICAL	SHFT	SHIFTER
ARM	ARMATURE	ELEX	ELECTRONIC	SLPR	SLEEPER
ARSR	ARRESTER	ENG	ENGINE	SLV	SLEEVE
ASSY	ASSEMBLY	EXH	EXHAUST	SPKR	SPEAKER
AUX	AUXILIARY	FL	FLUID	SPR	SPRING
B/U	BACK-UP	FWD	FORWARD	STD	STANDARD
BTRY	BATTERY	FR	FRONT	STRG	STEERING
BM	BENCHMARKING	FREQ	FREQUENCY	STLITE	SATELLITE
BLK	BLOCK	GA	GAUGE	SUNSH	SUNSHADE
BOOS	BOOSTER	GEN	GENERATOR	SW	SWITCH
BOT	BOTTOM	GND	GROUND	SYS	SYSTEM
BK	BRAKE	HARN	HARNESS	TACH	TACHOMETER
BRKR	BREAKER	HDLP	HEADLAMP	TEMP	TEMPERATURE
BRTHR	BREATHER	HTD	HEATED	TERM	TERMINAL
BRI	BRIGHT	HT TR	HEAT TREAT	THROT	THROTTLE
BUZ	BUZZER	HTR	HEATER	THRU	THROUGH
CA	CABLE	HP	HORSEPOWER	TRAC	TRACTION
CD	CANDELA	HYD	HYDRAULIC	TRLR	TRAILER
CP	CANDLEPOWER	ID	IDENTIFICATION	XDCR	TRANSDUCER
CAP	CAPACITOR	IGN	IGNITION	XFER	TRANSFER
CAT	CATERPILLAR	ILLUM	ILLUMINATION	XFMR	TRANSFORMER
CHAS	CHASSIS	IND	INDICATOR	XSTR	TRANSISTOR
CH	CHOKE	INST	INSTRUMENT	XMSN	TRANSMISSION
CIRC	CIRCUIT	INT	INTERMITTENT	XMTR	TRANSMITTER
CLK	CLOCK	L	LEFT	TRK	TRUCK
CW	CLOCKWISE	LT	LIGHT	UPR	UPPER
CLSTR	CLUSTER	LTR	LIGHTER	VLV	VALVE
CL	CLUTCH	LWR	LOWER	VERT	VERTICAL
COL	COLUMN	MAG	MAGNET	VM	VOLTMETER
COMM	COMMUTATOR	MOD	MODULATOR	VOL	VOLUME
COMPNT	COMPONENT	MDL	MODULE	WSHR	WASHER
CPRSR	COMPRESSOR	MOT	MOTOR	WHL	WHEEL
CONN	CONNECTOR	MTD	MOUNTED	WDO	WINDOW
CONT	CONTINUE	NEG	NEGATIVE	WSHLD	WINDSHIELD
CSL	CONSOLE	N/	NOT WITH	WPR	WIPER
CONT	CONTACT	NO	NUMBER	W/	WITH
CONT	CONTROL	PASS	PASSENGER	W/O	WITHOUT
CONV	CONVERTER	POSN	POSITION		
CLR	COOLER	POS	POSITIVE		
CTSY	COURTESY	POT	POTENTIOMETER		

CHK	DATE	CHANGE	REV	REFERENCE	DRAWN	NAME	RELEASE NO.	DATE	PART NO.	SHEET
RAW6	04DEC07	DELETED AC & RR FROM	B	61000T	U00K640	CIRCUIT DIAGRAM, 42/43/44/85/8600 & 73/74/7500	59974G	12SEP06	AE08056608	001
		ABBREVIATIONS LIST								

Figure 1 Abbreviations

2.2. ACRONYMS, P. 2

INTERNATIONAL TRUCK AND ENGINE CORPORATION <small>THIS PRINT IS PROVIDED ON A RESTRICTED BASIS AND IS NOT TO BE USED IN ANY WAY DETRIMENTAL TO THE INTEREST OF INTERNATIONAL TRUCK AND ENGINE CORPORATION.</small>		ELECTRICAL CIRCUIT DIAGRAM CHAPTER 2 ACRONYMS																																																																																																																																																																																					
<table border="1" style="width:100%; border-collapse: collapse;"> <thead> <tr> <th style="width:50%;">DESCRIPTION</th> <th style="width:50%;">ACRONYM</th> <th style="width:50%;">DESCRIPTION</th> <th style="width:50%;">ACRONYM</th> </tr> </thead> <tbody> <tr><td>ANTILOCK BRAKING SYSTEM</td><td>ABS</td><td>HEAVY DUTY DIESEL</td><td>HDD</td></tr> <tr><td>ANTENNA COMMUNICATION UNIT</td><td>ACU</td><td>HIGH PERFORMANCE TRUCK</td><td>HPT</td></tr> <tr><td>ALTERNATING CURRENT</td><td>AC</td><td>HIGH SIDE DRIVER</td><td>HSD</td></tr> <tr><td>AXLE TO BACK OF CAB</td><td>AC</td><td>HEATING, VENTILATION, AND AIR CONDITIONING</td><td>HVAC</td></tr> <tr><td>AXLE TO FRAME</td><td>AF</td><td>INJECTOR DRIVE MODULE</td><td>IDM</td></tr> <tr><td>ACCELERATOR PEDAL MODULE</td><td>APM</td><td>INPUT/OUTPUT</td><td>I/O</td></tr> <tr><td>ACCELERATOR POSITION SENSOR</td><td>APS</td><td>INTEGRATED MOBILE COMMUNICATION TERMINAL</td><td>IMCT</td></tr> <tr><td>AUXILIARY POWER UNIT</td><td>APU</td><td>INSTRUMENT PANEL</td><td>I/P</td></tr> <tr><td>AMERICAN TRUCKING ASSOCIATION</td><td>ATA</td><td>INDEPENDENT POWER TAKE-OFF</td><td>IPTO</td></tr> <tr><td>AUTOMATIC TRACTION CONTROL</td><td>ATC</td><td>INPUT SPEED SENSOR</td><td>ISS</td></tr> <tr><td>AUDIO VIDEO INTERFACE</td><td>AVI</td><td>LIGHT COMMERCIAL TRANSMISSION</td><td>LCT</td></tr> <tr><td>BAROMETRIC ATMOSPHERE PRESSURE</td><td>BAP</td><td>LOW PRESSURE MODULE</td><td>LPM</td></tr> <tr><td>BRAKE HORSEPOWER</td><td>BHP</td><td>LOW SIDE DRIVE</td><td>LSD</td></tr> <tr><td>BACK OF CAB</td><td>BOC</td><td>MEDIUM DUTY</td><td>MD</td></tr> <tr><td>CITIZEN BAND</td><td>CB</td><td>MOMENTARY ENGINE IGNITION INTERRUPT RELAY</td><td>MEIIR</td></tr> <tr><td>COLD CRANKING AMPERES</td><td>CCA</td><td>MAJFUNCTION INDICATION LAMP</td><td>MIL</td></tr> <tr><td>CLEAN POWER ELECTRICAL CONNECTOR</td><td>CEC</td><td>MULTIPLY SWITCH MODULE</td><td>MSM</td></tr> <tr><td>CENTRAL JUNCTION BOX</td><td>CJB</td><td>OUTPUT SPEED SENSOR</td><td>OSS</td></tr> <tr><td>CENTRAL PROCESSING UNIT</td><td>CPU</td><td>PYROMETER AMMETER MODULE</td><td>PAM</td></tr> <tr><td>CAB OVER ENGINE</td><td>COE</td><td>POWER DISTRIBUTION CENTER</td><td>PDC</td></tr> <tr><td>DIRECT CURRENT</td><td>DC</td><td>PROGRAMMABLE LOGIC CONTROLLER</td><td>PLC</td></tr> <tr><td>DRIVER CONTROL MODULE</td><td>DCM</td><td>POWER TAKE-OFF</td><td>PTO</td></tr> <tr><td>DIGITAL DATA LINK</td><td>DDL</td><td>PULSE WIDTH MODULATION</td><td>PWM</td></tr> <tr><td>DIESEL OXIDATION CATALYST INLET TEMPERATURE</td><td>DOCT</td><td>REAR AXLE</td><td>RA</td></tr> <tr><td>DIESEL PARTICULATE FILTER</td><td>DPF</td><td>RADIO FREQUENCY</td><td>RF</td></tr> <tr><td>DIESEL PARTICULATE FILTER DELTA PRESSURE</td><td>DPFDP</td><td>ROLL STABILITY PROGRAM</td><td>RSP</td></tr> <tr><td>DIESEL PARTICULATE FILTER TEMPERATURE</td><td>DPFT</td><td>SEVERE SERVICE</td><td>SS</td></tr> <tr><td>DIESEL TURBOCHARGED</td><td>DT</td><td>TRANSMISSION CONTROL MODULE</td><td>TCM</td></tr> <tr><td>DAY TIME RUNNING LIGHTS</td><td>DTRL</td><td>TERRESTRIAL COMMUNICATION UNIT</td><td>TCU</td></tr> <tr><td>ELECTRONIC CONTROL MODULE</td><td>ECM</td><td>TERRESTRIAL MOBILE COMMUNICATION TERMINAL</td><td>TMCT</td></tr> <tr><td>ELECTRONIC CONTROL UNIT</td><td>ECU</td><td>THERMAL OVERCRANK PROTECTION</td><td>TOCP</td></tr> <tr><td>EXHAUST GAS RECIRCULATION</td><td>EGR</td><td>THROTTLE POSITION SENSOR</td><td>TPS</td></tr> <tr><td>EXHAUST GAS TEMPERATURE</td><td>EGT</td><td>TURBINE SPEED SENSOR</td><td>TSS</td></tr> <tr><td>ELECTRO MAGNETIC INTERFERENCE</td><td>EMI</td><td>VEHICLE SPEED OUTPUT</td><td>VSO</td></tr> <tr><td>END OF FRAME</td><td>EOF</td><td>VEHICLE SPEED SENSOR</td><td>VSS</td></tr> <tr><td>ELECTRIC TRAILER BRAKE</td><td>ETB</td><td>WORLD TRANSMISSION ELECTRONIC CONTROLS</td><td>WTEC</td></tr> <tr><td>FRONT AXLE</td><td>FA</td><td>ZERO VOLT REFERENCE</td><td>ZVR</td></tr> <tr><td>FRONT END</td><td>FE</td><td></td><td></td></tr> <tr><td>FRONT OF DASH</td><td>FOD</td><td></td><td></td></tr> <tr><td>FULL POWER BRAKE</td><td>FPB</td><td></td><td></td></tr> <tr><td>GENERIC ELECTRONIC MODULE</td><td>GEM</td><td></td><td></td></tr> <tr><td>GLOBAL POSITIONING SYSTEM</td><td>GPS</td><td></td><td></td></tr> <tr><td>HYDRAULIC CONTROL UNIT</td><td>HCU</td><td></td><td></td></tr> <tr><td>HEAVY DUTY</td><td>HD</td><td></td><td></td></tr> </tbody> </table>				DESCRIPTION	ACRONYM	DESCRIPTION	ACRONYM	ANTILOCK BRAKING SYSTEM	ABS	HEAVY DUTY DIESEL	HDD	ANTENNA COMMUNICATION UNIT	ACU	HIGH PERFORMANCE TRUCK	HPT	ALTERNATING CURRENT	AC	HIGH SIDE DRIVER	HSD	AXLE TO BACK OF CAB	AC	HEATING, VENTILATION, AND AIR CONDITIONING	HVAC	AXLE TO FRAME	AF	INJECTOR DRIVE MODULE	IDM	ACCELERATOR PEDAL MODULE	APM	INPUT/OUTPUT	I/O	ACCELERATOR POSITION SENSOR	APS	INTEGRATED MOBILE COMMUNICATION TERMINAL	IMCT	AUXILIARY POWER UNIT	APU	INSTRUMENT PANEL	I/P	AMERICAN TRUCKING ASSOCIATION	ATA	INDEPENDENT POWER TAKE-OFF	IPTO	AUTOMATIC TRACTION CONTROL	ATC	INPUT SPEED SENSOR	ISS	AUDIO VIDEO INTERFACE	AVI	LIGHT COMMERCIAL TRANSMISSION	LCT	BAROMETRIC ATMOSPHERE PRESSURE	BAP	LOW PRESSURE MODULE	LPM	BRAKE HORSEPOWER	BHP	LOW SIDE DRIVE	LSD	BACK OF CAB	BOC	MEDIUM DUTY	MD	CITIZEN BAND	CB	MOMENTARY ENGINE IGNITION INTERRUPT RELAY	MEIIR	COLD CRANKING AMPERES	CCA	MAJFUNCTION INDICATION LAMP	MIL	CLEAN POWER ELECTRICAL CONNECTOR	CEC	MULTIPLY SWITCH MODULE	MSM	CENTRAL JUNCTION BOX	CJB	OUTPUT SPEED SENSOR	OSS	CENTRAL PROCESSING UNIT	CPU	PYROMETER AMMETER MODULE	PAM	CAB OVER ENGINE	COE	POWER DISTRIBUTION CENTER	PDC	DIRECT CURRENT	DC	PROGRAMMABLE LOGIC CONTROLLER	PLC	DRIVER CONTROL MODULE	DCM	POWER TAKE-OFF	PTO	DIGITAL DATA LINK	DDL	PULSE WIDTH MODULATION	PWM	DIESEL OXIDATION CATALYST INLET TEMPERATURE	DOCT	REAR AXLE	RA	DIESEL PARTICULATE FILTER	DPF	RADIO FREQUENCY	RF	DIESEL PARTICULATE FILTER DELTA PRESSURE	DPFDP	ROLL STABILITY PROGRAM	RSP	DIESEL PARTICULATE FILTER TEMPERATURE	DPFT	SEVERE SERVICE	SS	DIESEL TURBOCHARGED	DT	TRANSMISSION CONTROL MODULE	TCM	DAY TIME RUNNING LIGHTS	DTRL	TERRESTRIAL COMMUNICATION UNIT	TCU	ELECTRONIC CONTROL MODULE	ECM	TERRESTRIAL MOBILE COMMUNICATION TERMINAL	TMCT	ELECTRONIC CONTROL UNIT	ECU	THERMAL OVERCRANK PROTECTION	TOCP	EXHAUST GAS RECIRCULATION	EGR	THROTTLE POSITION SENSOR	TPS	EXHAUST GAS TEMPERATURE	EGT	TURBINE SPEED SENSOR	TSS	ELECTRO MAGNETIC INTERFERENCE	EMI	VEHICLE SPEED OUTPUT	VSO	END OF FRAME	EOF	VEHICLE SPEED SENSOR	VSS	ELECTRIC TRAILER BRAKE	ETB	WORLD TRANSMISSION ELECTRONIC CONTROLS	WTEC	FRONT AXLE	FA	ZERO VOLT REFERENCE	ZVR	FRONT END	FE			FRONT OF DASH	FOD			FULL POWER BRAKE	FPB			GENERIC ELECTRONIC MODULE	GEM			GLOBAL POSITIONING SYSTEM	GPS			HYDRAULIC CONTROL UNIT	HCU			HEAVY DUTY	HD		
DESCRIPTION	ACRONYM	DESCRIPTION	ACRONYM																																																																																																																																																																																				
ANTILOCK BRAKING SYSTEM	ABS	HEAVY DUTY DIESEL	HDD																																																																																																																																																																																				
ANTENNA COMMUNICATION UNIT	ACU	HIGH PERFORMANCE TRUCK	HPT																																																																																																																																																																																				
ALTERNATING CURRENT	AC	HIGH SIDE DRIVER	HSD																																																																																																																																																																																				
AXLE TO BACK OF CAB	AC	HEATING, VENTILATION, AND AIR CONDITIONING	HVAC																																																																																																																																																																																				
AXLE TO FRAME	AF	INJECTOR DRIVE MODULE	IDM																																																																																																																																																																																				
ACCELERATOR PEDAL MODULE	APM	INPUT/OUTPUT	I/O																																																																																																																																																																																				
ACCELERATOR POSITION SENSOR	APS	INTEGRATED MOBILE COMMUNICATION TERMINAL	IMCT																																																																																																																																																																																				
AUXILIARY POWER UNIT	APU	INSTRUMENT PANEL	I/P																																																																																																																																																																																				
AMERICAN TRUCKING ASSOCIATION	ATA	INDEPENDENT POWER TAKE-OFF	IPTO																																																																																																																																																																																				
AUTOMATIC TRACTION CONTROL	ATC	INPUT SPEED SENSOR	ISS																																																																																																																																																																																				
AUDIO VIDEO INTERFACE	AVI	LIGHT COMMERCIAL TRANSMISSION	LCT																																																																																																																																																																																				
BAROMETRIC ATMOSPHERE PRESSURE	BAP	LOW PRESSURE MODULE	LPM																																																																																																																																																																																				
BRAKE HORSEPOWER	BHP	LOW SIDE DRIVE	LSD																																																																																																																																																																																				
BACK OF CAB	BOC	MEDIUM DUTY	MD																																																																																																																																																																																				
CITIZEN BAND	CB	MOMENTARY ENGINE IGNITION INTERRUPT RELAY	MEIIR																																																																																																																																																																																				
COLD CRANKING AMPERES	CCA	MAJFUNCTION INDICATION LAMP	MIL																																																																																																																																																																																				
CLEAN POWER ELECTRICAL CONNECTOR	CEC	MULTIPLY SWITCH MODULE	MSM																																																																																																																																																																																				
CENTRAL JUNCTION BOX	CJB	OUTPUT SPEED SENSOR	OSS																																																																																																																																																																																				
CENTRAL PROCESSING UNIT	CPU	PYROMETER AMMETER MODULE	PAM																																																																																																																																																																																				
CAB OVER ENGINE	COE	POWER DISTRIBUTION CENTER	PDC																																																																																																																																																																																				
DIRECT CURRENT	DC	PROGRAMMABLE LOGIC CONTROLLER	PLC																																																																																																																																																																																				
DRIVER CONTROL MODULE	DCM	POWER TAKE-OFF	PTO																																																																																																																																																																																				
DIGITAL DATA LINK	DDL	PULSE WIDTH MODULATION	PWM																																																																																																																																																																																				
DIESEL OXIDATION CATALYST INLET TEMPERATURE	DOCT	REAR AXLE	RA																																																																																																																																																																																				
DIESEL PARTICULATE FILTER	DPF	RADIO FREQUENCY	RF																																																																																																																																																																																				
DIESEL PARTICULATE FILTER DELTA PRESSURE	DPFDP	ROLL STABILITY PROGRAM	RSP																																																																																																																																																																																				
DIESEL PARTICULATE FILTER TEMPERATURE	DPFT	SEVERE SERVICE	SS																																																																																																																																																																																				
DIESEL TURBOCHARGED	DT	TRANSMISSION CONTROL MODULE	TCM																																																																																																																																																																																				
DAY TIME RUNNING LIGHTS	DTRL	TERRESTRIAL COMMUNICATION UNIT	TCU																																																																																																																																																																																				
ELECTRONIC CONTROL MODULE	ECM	TERRESTRIAL MOBILE COMMUNICATION TERMINAL	TMCT																																																																																																																																																																																				
ELECTRONIC CONTROL UNIT	ECU	THERMAL OVERCRANK PROTECTION	TOCP																																																																																																																																																																																				
EXHAUST GAS RECIRCULATION	EGR	THROTTLE POSITION SENSOR	TPS																																																																																																																																																																																				
EXHAUST GAS TEMPERATURE	EGT	TURBINE SPEED SENSOR	TSS																																																																																																																																																																																				
ELECTRO MAGNETIC INTERFERENCE	EMI	VEHICLE SPEED OUTPUT	VSO																																																																																																																																																																																				
END OF FRAME	EOF	VEHICLE SPEED SENSOR	VSS																																																																																																																																																																																				
ELECTRIC TRAILER BRAKE	ETB	WORLD TRANSMISSION ELECTRONIC CONTROLS	WTEC																																																																																																																																																																																				
FRONT AXLE	FA	ZERO VOLT REFERENCE	ZVR																																																																																																																																																																																				
FRONT END	FE																																																																																																																																																																																						
FRONT OF DASH	FOD																																																																																																																																																																																						
FULL POWER BRAKE	FPB																																																																																																																																																																																						
GENERIC ELECTRONIC MODULE	GEM																																																																																																																																																																																						
GLOBAL POSITIONING SYSTEM	GPS																																																																																																																																																																																						
HYDRAULIC CONTROL UNIT	HCU																																																																																																																																																																																						
HEAVY DUTY	HD																																																																																																																																																																																						
CHK	DATE	CHANGE	REV	REFERENCE	DRAWN	NAME																																																																																																																																																																																	
RAW6	04DEC07	REVISED AND REDRAWN	B	61000T	U00K640	CIRCUIT DIAGRAM, 42/43/44/85/8600 & 73/74/7500																																																																																																																																																																																	
					RELEASE NO.	DATE	PART NO.																																																																																																																																																																																
					59974G	12SEP06	AE08056608																																																																																																																																																																																
							SHEET 002																																																																																																																																																																																

Figure 2 Acronyms

2.3. CIRCUIT DIAGRAM INSTRUCTIONS, P. 3

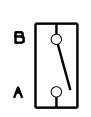
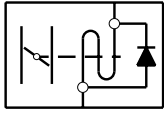
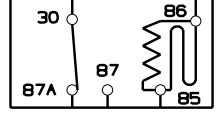
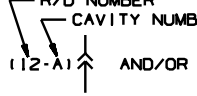
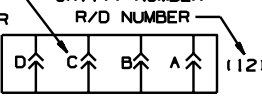
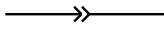
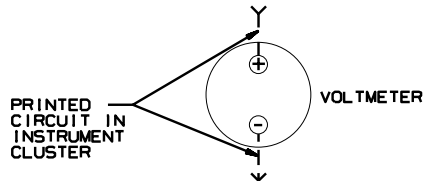
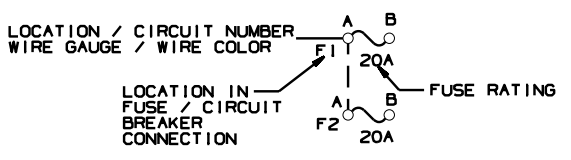
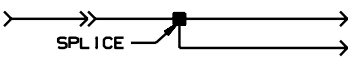
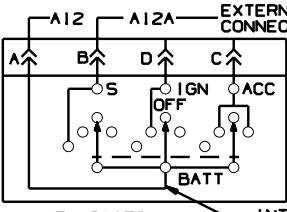
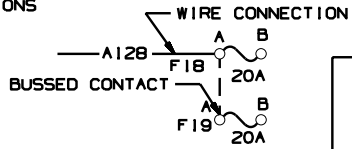
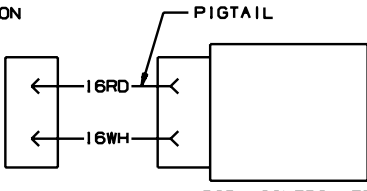
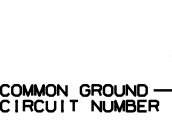
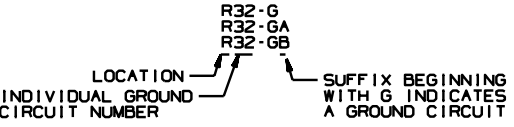
<p>INTERNATIONAL TRUCK AND ENGINE CORPORATION THIS PRINT IS PROVIDED ON A RESTRICTED BASIS AND IS NOT TO BE USED IN ANY WAY DETRIMENTAL TO THE INTEREST OF INTERNATIONAL TRUCK AND ENGINE CORPORATION.</p>	<p>ELECTRICAL CIRCUIT DIAGRAM CHAPTER 2 CIRCUIT DIAGRAM INSTRUCTIONS</p>																																										
<p>A - SWITCH AND RELAY POSITIONS AS SHOWN ON CIRCUIT DIAGRAMS INDICATE NORMAL POSITION WITH IGNITION OFF UNLESS OTHERWISE NOTED.</p> <div style="display: flex; justify-content: space-around;"> <div style="text-align: center;">  <p>SWITCH, MECHANICAL</p> </div> <div style="text-align: center;">  <p>SOLENOID</p> </div> <div style="text-align: center;">  <p>RELAY - SUPPRESSED</p> </div> </div>	<p>B - MULTIPLE CONNECTIONS ARE DISPLAYED ON SCHEMATIC AS SHOWN WITH R/D NUMBER & CAVITY NUMBER. REFER TO CONNECTOR COMPOSITE FOR MORE INFORMATION</p> <div style="display: flex; justify-content: space-around;"> <div style="text-align: center;">  <p>R/D NUMBER CAVITY NUMBER</p> </div> <div style="text-align: center;">  <p>CAVITY NUMBER R/D NUMBER</p> </div> </div> <p>SINGLE IN-LINE CONNECTORS DISPLAYED AS SHOWN BELOW WITHOUT R/D NUMBER</p> 																																										
<p>C - PHANTOM LINES INDICATE PRINTED CIRCUITS OR BUSSED CIRCUITS. THESE CIRCUITS EXIST IN THE INSTRUMENT CLUSTER AND FUSE / CIRCUIT BREAKER CONNECTORS.</p> <div style="display: flex; justify-content: space-around;"> <div style="text-align: center;">  <p>PRINTED CIRCUIT IN INSTRUMENT CLUSTER</p> <p>VOLTMETER</p> </div> <div style="text-align: center;">  <p>LOCATION / CIRCUIT NUMBER WIRE GAUGE / WIRE COLOR</p> <p>LOCATION IN FUSE / CIRCUIT BREAKER CONNECTION</p> <p>FUSE RATING</p> </div> </div>																																											
<p>D - MULTIPLE CIRCUIT NUMBERS ON A LINE INDICATE ONE CIRCUIT DISTRIBUTING CURRENT TO TWO CIRCUITS.</p> <div style="text-align: center;">  <p>SPLICE</p> </div>																																											
<p>E - SWITCHES, RELAYS AND COMPONENTS INDICATE EXTERNAL WIRE CONNECTIONS AND / OR INTERNAL CONNECTIONS OR CONTACTS.</p> <div style="display: flex; justify-content: space-around;"> <div style="text-align: center;">  <p>EXTERNAL WIRE CONNECTIONS</p> <p>KEY SWITCH (1101M)</p> <p>INTERNAL CONNECTION</p> </div> <div style="text-align: center;">  <p>WIRE CONNECTION</p> <p>BUSSED CONTACT</p> </div> <div style="text-align: center;">  <p>PIGTAIL</p> <p>BODY CONTROLLER (1602)</p> </div> </div>																																											
<p>F - CIRCUIT "11" DENOTES ANY COMMON GROUND (MORE THAN ONE CIRCUIT). ANY INDIVIDUAL GROUND CIRCUIT IS IDENTIFIED WITH THAT PARTICULAR CIRCUIT NUMBER. I.E.G. CIRCUIT 32 CRUISE CONTROL IS IDENTIFIED AS PER EXAMPLE)</p> <div style="display: flex; justify-content: space-around;"> <div style="text-align: center;">  <p>COMMON GROUND CIRCUIT NUMBER</p> <p>SUFFIX BEGINNING WITH G INDICATES A GROUND CIRCUIT</p> </div> <div style="text-align: center;">  <p>LOCATION INDIVIDUAL GROUND CIRCUIT NUMBER</p> <p>SUFFIX BEGINNING WITH G INDICATES A GROUND CIRCUIT</p> </div> </div> <p style="text-align: center; margin-top: 10px;">NOTE: FOR CIRCUIT DESCRIPTION OTHER THAN GROUNDS NEITHER THE LETTER "G" NOR THE COLOR WHITE SHALL BE USED</p>																																											
<table border="1" style="width: 100%; border-collapse: collapse; font-size: small;"> <tr> <td>CHK</td> <td>DATE</td> <td>CHANGE</td> <td>REV</td> <td>REFERENCE</td> <td>DRAWN</td> <td>NAME</td> </tr> <tr> <td>CNA</td> <td>05MAY07</td> <td>REVISED & REDRAWN</td> <td>A</td> <td>60782A</td> <td>U00K640</td> <td>42/43/44/85/8600 & 73/74/7500 CIRC DIAGRAMS</td> </tr> <tr> <td></td> <td></td> <td></td> <td></td> <td></td> <td>RELEASE NO.</td> <td>DATE</td> </tr> <tr> <td></td> <td></td> <td></td> <td></td> <td></td> <td>59974G</td> <td>20APR06</td> </tr> <tr> <td></td> <td></td> <td></td> <td></td> <td></td> <td>PART NO.</td> <td>SHEET</td> </tr> <tr> <td></td> <td></td> <td></td> <td></td> <td></td> <td>AE08-56608</td> <td>03</td> </tr> </table>		CHK	DATE	CHANGE	REV	REFERENCE	DRAWN	NAME	CNA	05MAY07	REVISED & REDRAWN	A	60782A	U00K640	42/43/44/85/8600 & 73/74/7500 CIRC DIAGRAMS						RELEASE NO.	DATE						59974G	20APR06						PART NO.	SHEET						AE08-56608	03
CHK	DATE	CHANGE	REV	REFERENCE	DRAWN	NAME																																					
CNA	05MAY07	REVISED & REDRAWN	A	60782A	U00K640	42/43/44/85/8600 & 73/74/7500 CIRC DIAGRAMS																																					
					RELEASE NO.	DATE																																					
					59974G	20APR06																																					
					PART NO.	SHEET																																					
					AE08-56608	03																																					

Figure 3 Circuit Diagram Instructions

2.4. CIRCUIT NUMBER IDENTIFICATION AND COLOR, P. 4

INTERNATIONAL TRUCK AND ENGINE CORPORATION		ELECTRICAL CIRCUIT DIAGRAM CHAPTER 2	
THIS PRINT IS PROVIDED ON A RESTRICTED BASIS AND IS NOT TO BE USED IN ANY WAY DETRIMENTAL TO THE INTEREST OF INTERNATIONAL TRUCK AND ENGINE CORPORATION.		CIRCUIT NUMBER IDENTIFICATION AND COLOR	
CIRCUIT NUMBER	COLOR	DESCRIPTION	
1	LTBL	ALTERNATOR - FIELD	
2	RD	ALTERNATOR - CHARGE	
3	DKBL	SERIAL / DATA COMMUNICATION J1587 / J1708 (+)	
	GY	SERIAL / DATA COMMUNICATION J1587 / J1708 (-)	
4	DKBL	SERIAL / DATA COMMUNICATION J1922 (+)	
	GY	SERIAL / DATA COMMUNICATION J1922 (-)	
5	YL	SERIAL / DATA COMMUNICATION J1939 /11 / J1939/15 (+)	
	GN	SERIAL / DATA COMMUNICATION J1939 /11 / J1939/15 (-)	
6	GY	LOW VOLTAGE ELECTRONIC FEED (LESS THAN 9 VOLTS)	
7	RD	ALTERNATOR - RESISTANCE	
8			
9	GY	LOW VOLTAGE ELECTRONIC GROUND	
10	WH	CHASSIS / ENGINE GROUND	
11	WH	CAB / SLEEPER GROUND	
12	LTBL	ACCESSORY FEED	
13	PK	IGNITION FEED	
	BK	IGNITION FEED (BODY BUILDER CONNECTOR)	
14	RD	BATTERY FEED	
15	RD	KEY SWITCH FEED	
16			
17	PK	STARTER CONTROL	
18	PK	GLOW PLUG / PRE-HEATER	
19	GY	ENGINE SHUTDOWN	
20	LTGN	REMOTE POWER MODULE	
21	TN	COLD START CONTROLS (ETHER)	
22	TN	TIRE PRESSURE MONITORING / CONTROL	
23	TN	ENGINE FAN / SHUTTERS	
24	GY	ENGINE EXHAUST BRAKE	
25	TN	PYROMETER	
26	TN	AMMETER	
27	TN	VOLTMETER	
28	TN	INSTRUMENTS AND GAUGES	
29	TN	ENGINE WATER TEMPERATURE	
30	TN	ENGINE OIL TEMPERATURE	
31	TN	TRANSMISSION OIL TEMPERATURE	
32	TN	AXLE OIL TEMPERATURE	
33	TN	ENGINE OIL LEVEL	
34	TN	COOLANT LEVEL	
35	TN	ENGINE OIL PRESSURE	
36	TN	FUEL LEVEL	
37	TN	FUEL PUMP	
38	GY	LIFT AXLE	
39	GY	AIR DRYER HEATER	
40	GY	LOW AIR PRESSURE WARNING	
41	TN	AIR TEMPERATURE	
42	GY	FRONT AXLE ENGAGED	
43	GY	POWER DIVIDER LOCK (PDL) WARNING	
44	GY	PARK BRAKE WARNING	
45	LTGN	ANTI-THEFT WARNING	
CHK	DATE	CHANGE	REV REFERENCE
		REVISED AND REDRAWN	B 61000T
DRAWN	NAME	RELEASE NO.	DATE
U00K640	CIRCUIT DIAGRAM, 42/43/44/85/8600 & 73/74/7500	59974G	20APR06
PART NO.	SHEET		
AE08056608	004		

Figure 4 Circuit Number Identification and Color

2.5. CIRCUIT NUMBER IDENTIFICATION AND COLOR, P. 5

CIRCUIT NUMBER	COLOR	DESCRIPTION
46	GY	POWER TAKE-OFF WARNING
47	GY	SPEEDOMETER
48	GY	TACHOMETER
49	GY	DIFFERENTIAL LOCK WARNING
50	YL	LIGHT SWITCH FEED
51	YL	DIMMER SWITCH FEED
52	YL	HEADLIGHT HI - BEAM
53	YL	HEADLIGHT LO - BEAM
54	BN	PARKING / MARKER LIGHTS
55	OR	TURN SIGNAL - FEED
56	OR	TURN SIGNAL LIGHTS - LEFT
	YL	TURN SIGNAL LIGHTS - LEFT (BODY BUILDER CONNECTION)
57	OR	TURN SIGNAL LIGHTS - RIGHT
	LTGN	TURN SIGNAL LIGHTS - RIGHT (BODY BUILDER CONNECTION)
58	BN	CLEARANCE / IDENTIFICATION LIGHTS
59	GY	SOLENOID
60	OR	HAZARD LIGHTS
61	GY	AIR SUSPENSION
62	DKBL	PANEL LIGHTS
63	DKBL	COURTESY / DOME LIGHTS
64	YL	FOG / DRIVING LIGHTS
65	OR	CAB REAR FLOOD LIGHTS
66	YL	DAYTIME RUNNING LIGHTS
67	GY	OBSTACLE AVOIDANCE / REMOTE SENSOR
68	BN	TAIL LIGHTS
69	BN	LICENSE PLATE LIGHT
70	OR	STOP LIGHTS
	RD	STOP LIGHTS (BODY BUILDER CONNECTION)
71	OR	BACK-UP LIGHTS
	LTBL	BACK-UP LIGHTS (BODY BUILDER CONNECTION)
72	OR	TRAILER AUXILIARY FEED - BATTERY
73	LTGN	PWM
74	LTGN	HEATER RECIRCULATION MOTOR
75	LTGN	HEATER BLOWER MOTOR
76	LTGN	AUXILIARY FAN
77	LTGN	AIR CONDITIONER
78	LTGN	MIRRORS - HEATED, MOTORIZED
79	GY	SEAT BELTS
80	BK	SLEEPER BOX RELAY - FEED
81	LTGN	POWER DOOR LOCKS
82	GY	WINDSHIELD WIPER
83	LTGN	POWER WINDOWS
84	LTGN	CIGAR LIGHTER
85	GY	HORN

CHK	DATE	CHANGE	REV	REFERENCE	DRAWN	NAME
RAW6	04DEC07	REVISED AND REDRAWN	B	61000T	U00K640	CIRCUIT DIAGRAM, 42/43/44/85/8600 & 73/74/7500
					RELEASE NO.	DATE
					59974G	12SEP06
						PART NO.
						AE08056608
						SHEET
						005

Figure 5 Circuit Number Identification and Color (Cont.)

2.6. CIRCUIT NUMBER IDENTIFICATION AND COLOR, P. 6

INTERNATIONAL TRUCK AND ENGINE CORPORATION <small>THIS PRINT IS PROVIDED ON A RESTRICTED BASIS AND IS NOT TO BE USED IN ANY WAY DETRIMENTAL TO THE INTEREST OF INTERNATIONAL TRUCK AND ENGINE CORPORATION.</small>		ELECTRICAL CIRCUIT DIAGRAM CHAPTER 2 CIRCUIT NUMBER IDENTIFICATION AND COLOR (CONT)																																																																																																																													
<table border="1" style="width:100%; border-collapse: collapse;"> <thead> <tr> <th style="width:15%;">CIRCUIT NUMBER</th> <th style="width:15%;">COLOR</th> <th style="width:70%;">DESCRIPTION</th> </tr> </thead> <tbody> <tr><td>86</td><td>LTGN</td><td>RADIO - ENTERTAINMENT</td></tr> <tr><td>87</td><td>GY</td><td>WINDSHIELD WASHER</td></tr> <tr><td>88</td><td>LTGN</td><td>CLOCK / HOURMETER</td></tr> <tr><td>89</td><td>VT</td><td>AIR BAG</td></tr> <tr><td>90</td><td>GY</td><td>HYDRAULIC BRAKE PUMP</td></tr> <tr><td>91</td><td>VT</td><td>INTERCOMMUNICATIONS</td></tr> <tr><td>92</td><td>TN</td><td>TRANSMISSION CONTROLS - ELECTRONIC</td></tr> <tr><td>93</td><td>TN</td><td>AXLE SHIFT CONTROL</td></tr> <tr><td>94</td><td>GY</td><td>ANTILOCK BRAKE SYSTEM</td></tr> <tr><td>95</td><td>TN</td><td>EXHAUST EMISSION</td></tr> <tr><td>96</td><td>YL</td><td>SNOW PLOW LIGHTS / CRUISE CONTROLS</td></tr> <tr><td>97</td><td>VT</td><td>ENGINE CONTROLS - ELECTRONIC</td></tr> <tr><td>98</td><td>BK</td><td>DATALINK AND DIAGNOSTICS</td></tr> <tr><td>99</td><td>VT</td><td>ACCELERATOR POSITION SENSOR (APS)</td></tr> <tr><td>100</td><td>GY</td><td>AIR HORN (ELECTRIC SOLENOID ACTUATED)</td></tr> <tr><td>101</td><td>TN</td><td>BRAKE APPLICATION AIR</td></tr> <tr><td>102</td><td>YL</td><td>FLASH TO PASS</td></tr> <tr><td>103</td><td>LTGN</td><td>BODY BUILDER AUXILIARY FEED</td></tr> <tr><td>104</td><td>DKBL</td><td>REMOTE START / STOP</td></tr> <tr><td>105</td><td>LTGN</td><td>HEATED SEATS</td></tr> <tr><td>106</td><td>OR</td><td>HIGH VOLTAGE ALTERNATOR AC CHARGE</td></tr> <tr><td>107</td><td>GY</td><td>INSTRUMENT CLUSTER ELECTRONIC FEED (5V)</td></tr> <tr><td>108</td><td>GY</td><td>BRAKE PAD WEAR SENSOR</td></tr> <tr><td>109</td><td>GY</td><td>SLACK ADJUSTER</td></tr> <tr><td>110</td><td>GY</td><td>INSTRUMENT CLUSTER ELECTRONIC GROUND</td></tr> <tr><td>111</td><td>TN</td><td>FUEL FILTER RESTRICTION TRANSDUCERS</td></tr> <tr><td>112</td><td>GY</td><td>LIFT GATE</td></tr> </tbody> </table> <table border="1" style="width:100%; border-collapse: collapse;"> <thead> <tr> <th style="width:15%;">PREFIX</th> <th style="width:85%;">LOCATION</th> </tr> </thead> <tbody> <tr><td>A</td><td>CAB - INSTRUMENT PANEL MODULE</td></tr> <tr><td>B</td><td>CAB - DRIVER CONTROL MODULE</td></tr> <tr><td>C</td><td>CAB - HEADER / CLEARANCE LIGHTS</td></tr> <tr><td>D</td><td>CAB - ROOF / REAR PANEL</td></tr> <tr><td>E</td><td>CAB - LEFT DOOR / DOORS</td></tr> <tr><td>F</td><td>CAB - RIGHT DOOR / DOORS</td></tr> <tr><td>H</td><td>CAB - SLEEPER</td></tr> <tr><td>J</td><td>CAB - DASH (OUTSIDE)</td></tr> <tr><td>K</td><td>ENGINE / RADIATOR</td></tr> <tr><td>L</td><td>TRANSMISSION</td></tr> <tr><td>M</td><td>CHASSIS / FRONT END (CAB DASH PANEL FORWARD)</td></tr> <tr><td>N</td><td>CHASSIS - CENTER SECTION (CAB DASH PANEL TO CAB REAR CROSS MEMBER)</td></tr> <tr><td>P</td><td>CHASSIS - WHEEL BASE SECTION</td></tr> <tr><td>R</td><td>CHASSIS - SUSPENSION / REAR AXLE / AXLES</td></tr> <tr><td>S</td><td>CHASSIS - AF SECTION / STOP / TAIL / TURN LIGHTS</td></tr> <tr><td>T</td><td>TRAVEL DOORS</td></tr> <tr><td>U</td><td>HOOD MTD HEADLIGHTS / MARKER LIGHTS</td></tr> <tr><td>V</td><td>SLEEPER ROOF / BACK PANEL WIRING</td></tr> <tr><td>W</td><td>WARDROBE CABINET WIRING</td></tr> </tbody> </table>				CIRCUIT NUMBER	COLOR	DESCRIPTION	86	LTGN	RADIO - ENTERTAINMENT	87	GY	WINDSHIELD WASHER	88	LTGN	CLOCK / HOURMETER	89	VT	AIR BAG	90	GY	HYDRAULIC BRAKE PUMP	91	VT	INTERCOMMUNICATIONS	92	TN	TRANSMISSION CONTROLS - ELECTRONIC	93	TN	AXLE SHIFT CONTROL	94	GY	ANTILOCK BRAKE SYSTEM	95	TN	EXHAUST EMISSION	96	YL	SNOW PLOW LIGHTS / CRUISE CONTROLS	97	VT	ENGINE CONTROLS - ELECTRONIC	98	BK	DATALINK AND DIAGNOSTICS	99	VT	ACCELERATOR POSITION SENSOR (APS)	100	GY	AIR HORN (ELECTRIC SOLENOID ACTUATED)	101	TN	BRAKE APPLICATION AIR	102	YL	FLASH TO PASS	103	LTGN	BODY BUILDER AUXILIARY FEED	104	DKBL	REMOTE START / STOP	105	LTGN	HEATED SEATS	106	OR	HIGH VOLTAGE ALTERNATOR AC CHARGE	107	GY	INSTRUMENT CLUSTER ELECTRONIC FEED (5V)	108	GY	BRAKE PAD WEAR SENSOR	109	GY	SLACK ADJUSTER	110	GY	INSTRUMENT CLUSTER ELECTRONIC GROUND	111	TN	FUEL FILTER RESTRICTION TRANSDUCERS	112	GY	LIFT GATE	PREFIX	LOCATION	A	CAB - INSTRUMENT PANEL MODULE	B	CAB - DRIVER CONTROL MODULE	C	CAB - HEADER / CLEARANCE LIGHTS	D	CAB - ROOF / REAR PANEL	E	CAB - LEFT DOOR / DOORS	F	CAB - RIGHT DOOR / DOORS	H	CAB - SLEEPER	J	CAB - DASH (OUTSIDE)	K	ENGINE / RADIATOR	L	TRANSMISSION	M	CHASSIS / FRONT END (CAB DASH PANEL FORWARD)	N	CHASSIS - CENTER SECTION (CAB DASH PANEL TO CAB REAR CROSS MEMBER)	P	CHASSIS - WHEEL BASE SECTION	R	CHASSIS - SUSPENSION / REAR AXLE / AXLES	S	CHASSIS - AF SECTION / STOP / TAIL / TURN LIGHTS	T	TRAVEL DOORS	U	HOOD MTD HEADLIGHTS / MARKER LIGHTS	V	SLEEPER ROOF / BACK PANEL WIRING	W	WARDROBE CABINET WIRING
CIRCUIT NUMBER	COLOR	DESCRIPTION																																																																																																																													
86	LTGN	RADIO - ENTERTAINMENT																																																																																																																													
87	GY	WINDSHIELD WASHER																																																																																																																													
88	LTGN	CLOCK / HOURMETER																																																																																																																													
89	VT	AIR BAG																																																																																																																													
90	GY	HYDRAULIC BRAKE PUMP																																																																																																																													
91	VT	INTERCOMMUNICATIONS																																																																																																																													
92	TN	TRANSMISSION CONTROLS - ELECTRONIC																																																																																																																													
93	TN	AXLE SHIFT CONTROL																																																																																																																													
94	GY	ANTILOCK BRAKE SYSTEM																																																																																																																													
95	TN	EXHAUST EMISSION																																																																																																																													
96	YL	SNOW PLOW LIGHTS / CRUISE CONTROLS																																																																																																																													
97	VT	ENGINE CONTROLS - ELECTRONIC																																																																																																																													
98	BK	DATALINK AND DIAGNOSTICS																																																																																																																													
99	VT	ACCELERATOR POSITION SENSOR (APS)																																																																																																																													
100	GY	AIR HORN (ELECTRIC SOLENOID ACTUATED)																																																																																																																													
101	TN	BRAKE APPLICATION AIR																																																																																																																													
102	YL	FLASH TO PASS																																																																																																																													
103	LTGN	BODY BUILDER AUXILIARY FEED																																																																																																																													
104	DKBL	REMOTE START / STOP																																																																																																																													
105	LTGN	HEATED SEATS																																																																																																																													
106	OR	HIGH VOLTAGE ALTERNATOR AC CHARGE																																																																																																																													
107	GY	INSTRUMENT CLUSTER ELECTRONIC FEED (5V)																																																																																																																													
108	GY	BRAKE PAD WEAR SENSOR																																																																																																																													
109	GY	SLACK ADJUSTER																																																																																																																													
110	GY	INSTRUMENT CLUSTER ELECTRONIC GROUND																																																																																																																													
111	TN	FUEL FILTER RESTRICTION TRANSDUCERS																																																																																																																													
112	GY	LIFT GATE																																																																																																																													
PREFIX	LOCATION																																																																																																																														
A	CAB - INSTRUMENT PANEL MODULE																																																																																																																														
B	CAB - DRIVER CONTROL MODULE																																																																																																																														
C	CAB - HEADER / CLEARANCE LIGHTS																																																																																																																														
D	CAB - ROOF / REAR PANEL																																																																																																																														
E	CAB - LEFT DOOR / DOORS																																																																																																																														
F	CAB - RIGHT DOOR / DOORS																																																																																																																														
H	CAB - SLEEPER																																																																																																																														
J	CAB - DASH (OUTSIDE)																																																																																																																														
K	ENGINE / RADIATOR																																																																																																																														
L	TRANSMISSION																																																																																																																														
M	CHASSIS / FRONT END (CAB DASH PANEL FORWARD)																																																																																																																														
N	CHASSIS - CENTER SECTION (CAB DASH PANEL TO CAB REAR CROSS MEMBER)																																																																																																																														
P	CHASSIS - WHEEL BASE SECTION																																																																																																																														
R	CHASSIS - SUSPENSION / REAR AXLE / AXLES																																																																																																																														
S	CHASSIS - AF SECTION / STOP / TAIL / TURN LIGHTS																																																																																																																														
T	TRAVEL DOORS																																																																																																																														
U	HOOD MTD HEADLIGHTS / MARKER LIGHTS																																																																																																																														
V	SLEEPER ROOF / BACK PANEL WIRING																																																																																																																														
W	WARDROBE CABINET WIRING																																																																																																																														
<small>CHK</small>	<small>DATE</small>	<small>CHANGE</small>	<small>REV</small>	<small>REFERENCE</small>	<small>DRAWN</small>	<small>NAME</small>																																																																																																																									
RAW6	04DEC07	REVISED AND REDRAWN	B	61000T	U00K640	CIRCUIT DIAGRAM, 42/43/44/85/8600 & 73/74/7500																																																																																																																									
					<small>RELEASE NO.</small>	<small>DATE</small>	<small>PART NO.</small>																																																																																																																								
					59974G	12SEP06	AE08056608																																																																																																																								
							<small>SHEET</small> 006																																																																																																																								

Figure 6 Circuit Number Identification and Color (Cont.)

2.7. LAMP BULB CHART, P. 7

INTERNATIONAL TRUCK AND ENGINE CORPORATION				ELECTRICAL CIRCUIT DIAGRAM		CHAPTER 2	
THIS PRINT IS PROVIDED ON A RESTRICTED BASIS AND IS NOT TO BE USED IN ANY WAY DETRIMENTAL TO THE INTEREST OF INTERNATIONAL TRUCK AND ENGINE CORPORATION.				LAMP BULB CHART			
BULB APPLICATION			CANDLEPOWER OR WATT		BULB TRADE NUMBER		
BACK - UP LIGHTS			32 CP		GE1156		
CLEARANCE & IDENTIFICATION			3 CP		GE193		
COURTESY LIGHT			3CP		GE168		
FOG LIGHTS			55 WATTS		VH550		
LOW BEAMS			65 WATTS		GE9007		
HIGH BEAMS			65 WATTS		GE9007		
MAP LIGHT			3 CP		1816		
SIDE MARKER					2548		
STOP & TURN / TAIL & LICENSE PLATE			32/3 CP		1157		
TURN SIGNAL / MARKER (FENDER)					3157		
TURN SIGNAL & MARKER LIGHT					2356		
WORK (TRAILER HOOK - UP)			35 WATTS		4411		
CHK	DATE	CHANGE	REV	REFERENCE	DRAWN	NAME	
					U00K640	42/43/44/85/8600 & 73/74/7500 CIRC DIAGRAMS	
					RELEASE NO.	DATE	PART NO.
					59974G	20APR06	AF08-56608
						SHEET	07

Figure 7 Lamp Bulb Chart

2.8. RELAY FUNCTION AND WIRING GUIDE, P. 8

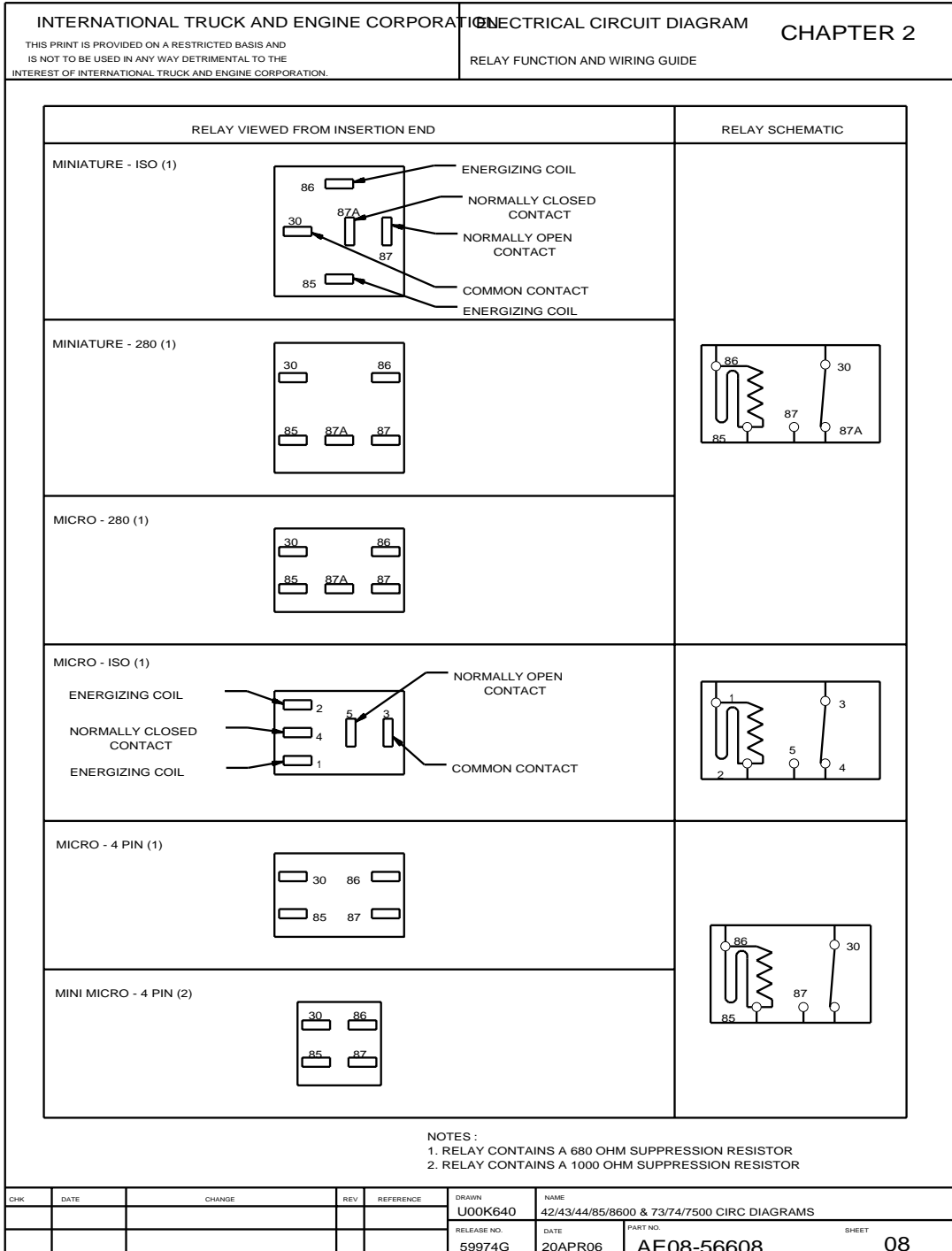


Figure 8 Relay Function and Wiring Guide

2.9. SCHEMATIC SYMBOL CHART, P. 9

INTERNATIONAL TRUCK AND ENGINE CORPORATION				ELECTRICAL CIRCUIT DIAGRAM CHAPTER 2			
THIS PRINT IS PROVIDED ON A RESTRICTED BASIS AND IS NOT TO BE USED IN ANY WAY DETRIMENTAL TO THE INTEREST OF INTERNATIONAL TRUCK AND ENGINE CORPORATION.				SCHEMATIC SYMBOL CHART			
		ACCEL PEDAL POSN SENSOR				AMMETER	
		ACCEL PEDAL POSN SENSOR				BATTERY	
		AIR DRYER				BLUNT CUT CIRCUIT	
		ALARM				BUSBAR	
		ALTERNATOR				CIGAR LIGHTER	
		ALARM				CIRCUIT BREAKER	
		ALTERNATOR				DIODE	

CHK	DATE	CHANGE	REV	REFERENCE	DRAWN	NAME
CNA	9MAY07	ADDED SYMBOL FOR	A	60782A	U00K640	42/43/44/85/8600 & 73/74/7500 CIRC DIAGRAMS
		ACCEL PEDAL POSN SNSR			RELEASE NO. 59974G	DATE 12SEP06 PART NO. AE08-56608 SHEET 09

Figure 9 Schematic Symbol Chart

2.10. SCHEMATIC SYMBOL CHART, P. 10


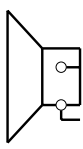
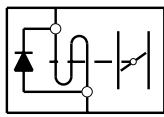
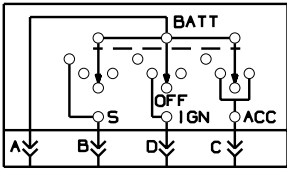

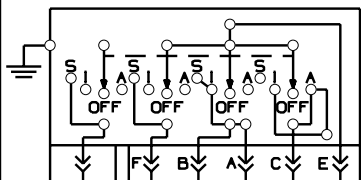

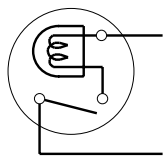

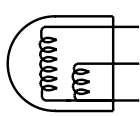
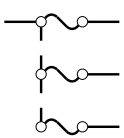
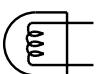

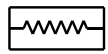
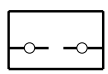
INTERNATIONAL TRUCK AND ENGINE CORPORATION <small>THIS PRINT IS PROVIDED ON A RESTRICTED BASIS AND IS NOT TO BE USED IN ANY WAY DETRIMENTAL TO THE INTEREST OF INTERNATIONAL TRUCK AND ENGINE CORPORATION.</small>				ELECTRICAL CIRCUIT DIAGRAM CHAPTER 2 SCHEMATIC SYMBOL CHART (CONT)																																											
	DIODE, LIGHT EMITTING		HORN																																												
	FAN SOLENOID		KEY SWITCH																																												
	FEMALE TERMINAL		KEY SWITCH, COMPLEX																																												
	FUSE		LIGHT W/ SWITCH																																												
	FUSIBLE LINK		LIGHT, DOUBLE FILAMENT																																												
	FUSES W/ BUSBAR		LIGHT, SINGLE FILAMENT																																												
	GROUND N/ STUD																																														
	HEATER																																														
	HOLDER, FUSE W/ BUSBAR																																														
<table border="1" style="width:100%; border-collapse: collapse;"> <tr> <th style="width: 5%;">CHR</th> <th style="width: 10%;">DATE</th> <th style="width: 25%;">CHANGE</th> <th style="width: 5%;">REV</th> <th style="width: 10%;">REFERENCE</th> <th style="width: 15%;">DRAWN</th> <th style="width: 30%;">NAME</th> </tr> <tr> <td>CNA</td> <td>0MAY07</td> <td>REVISED & REDRAWN</td> <td>A</td> <td>60782A</td> <td>U00K640</td> <td>42/43/44/85/8600 & 73/74/7500 CIRC DIAGRAMS</td> </tr> <tr> <td></td> <td></td> <td></td> <td></td> <td></td> <td>RELEASE NO.</td> <td>DATE</td> </tr> <tr> <td></td> <td></td> <td></td> <td></td> <td></td> <td>59974G</td> <td>12SEP06</td> </tr> <tr> <td></td> <td></td> <td></td> <td></td> <td></td> <td>PART NO.</td> <td>SHEET</td> </tr> <tr> <td></td> <td></td> <td></td> <td></td> <td></td> <td>AE08-56608</td> <td>10</td> </tr> </table>	CHR	DATE	CHANGE	REV	REFERENCE	DRAWN	NAME	CNA	0MAY07	REVISED & REDRAWN	A	60782A	U00K640	42/43/44/85/8600 & 73/74/7500 CIRC DIAGRAMS						RELEASE NO.	DATE						59974G	12SEP06						PART NO.	SHEET						AE08-56608	10					
CHR	DATE	CHANGE	REV	REFERENCE	DRAWN	NAME																																									
CNA	0MAY07	REVISED & REDRAWN	A	60782A	U00K640	42/43/44/85/8600 & 73/74/7500 CIRC DIAGRAMS																																									
					RELEASE NO.	DATE																																									
					59974G	12SEP06																																									
					PART NO.	SHEET																																									
					AE08-56608	10																																									

Figure 10 Schematic Symbol Chart (Cont.)

2.11. SCHEMATIC SYMBOL CHART, P. 11

INTERNATIONAL TRUCK AND ENGINE CORPORATION <small>THIS PRINT IS PROVIDED ON A RESTRICTED BASIS AND IS NOT TO BE USED IN ANY WAY DETRIMENTAL TO THE INTEREST OF INTERNATIONAL TRUCK AND ENGINE CORPORATION.</small>				ELECTRICAL CIRCUIT DIAGRAM CHAPTER 2 SCHEMATIC SYMBOL CHART (CONT.)	
	SYMBOL	DESCRIPTION			
→		MALE TERMINAL			
		MOTOR			
←←		PASS THRU CONNECTION			
		PRESSURE SWITCH			
		RELAY, FIVE TERMINAL			
		RELAY, FOUR TERMINAL			
		RELAY, LATCHING			
		RESISTOR			
		SENDER - FUEL, OIL, TEMP, WATER			
		SENSOR, PRESSURE, ABS 6			
		SENSOR, MAGNETIC			
		SENSOR, YAW			
		SOLENOID			
		SOLENOID W/ DIODE			

Figure 11 Schematic Symbol Chart (Cont.)

2.12. SCHEMATIC SYMBOL CHART, P.12

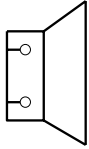
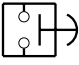

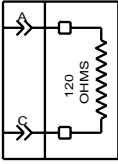


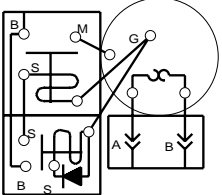
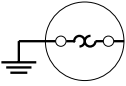

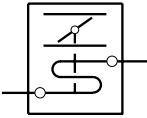

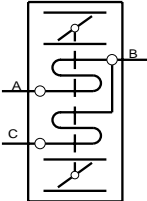
INTERNATIONAL TRUCK AND ENGINE CORPORATION				ELECTRICAL CIRCUIT DIAGRAM CHAPTER 2			
THIS PRINT IS PROVIDED ON A RESTRICTED BASIS AND IS NOT TO BE USED IN ANY WAY DETRIMENTAL TO THE INTEREST OF INTERNATIONAL TRUCK AND ENGINE CORPORATION.				SCHEMATIC SYMBOL CHART (CONT)			
SYMBOL		DESCRIPTION		SYMBOL		DESCRIPTION	
		SPEAKER				SWITCH, PUSH BUTTON	
		SPLICE				TERMINATING RESISTOR	
		STUD				THERMISTOR	
		START MOTOR W/ TOCP				THERMOSTAT	
		SWITCH, MECHANICAL (NORMALLY OPEN)				VALVE, ETHER BOTTLE	
		SWITCH, MECHANICAL (NORMALLY CLOSED)				VALVE, MODULATOR	
CHK	DATE	CHANGE	REV	REFERENCE	DRAWN	NAME	
RAW6	04DEC07	REVISED START MOTOR	B	61000T	U00K640	CIRCUIT DIAGRAM, 42/43/44/85/8600 & 73/74/7500	
	SYMBOL				RELEASE NO.	DATE	PART NO. SHEET
					59974G	20APR06	AE08056608 012

Figure 12 Schematic Symbol Chart (Cont.)

3. 12 VOLT POWER DISTRIBUTION, GROUNDS, DATA BUS AND ELECTRICAL SYSTEM CONTROLLER (CHAPTER 3)

3.1. BATTERY FEED, P. 1

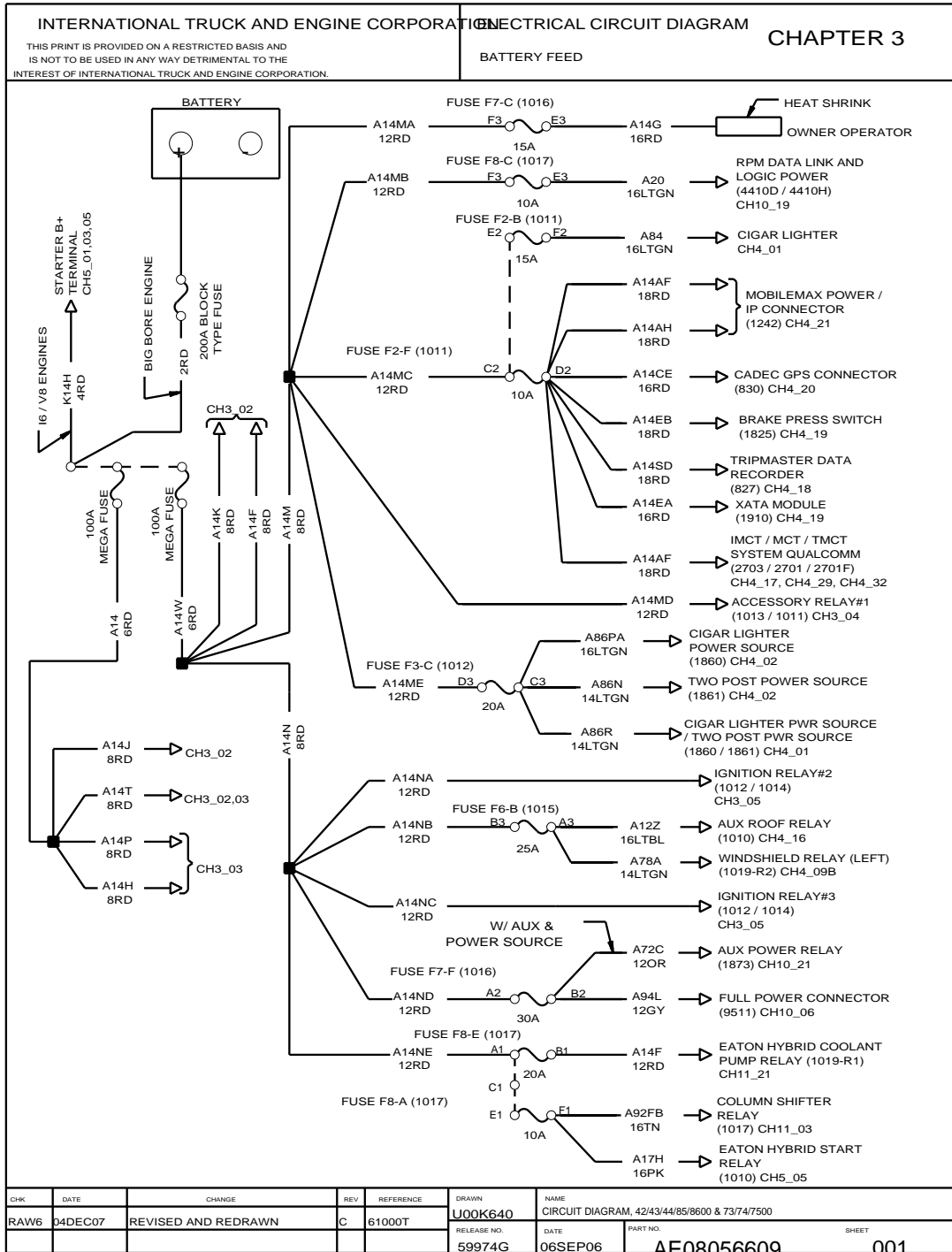


Figure 13 Battery Feed

3.2. BATTERY FEED, P. 2

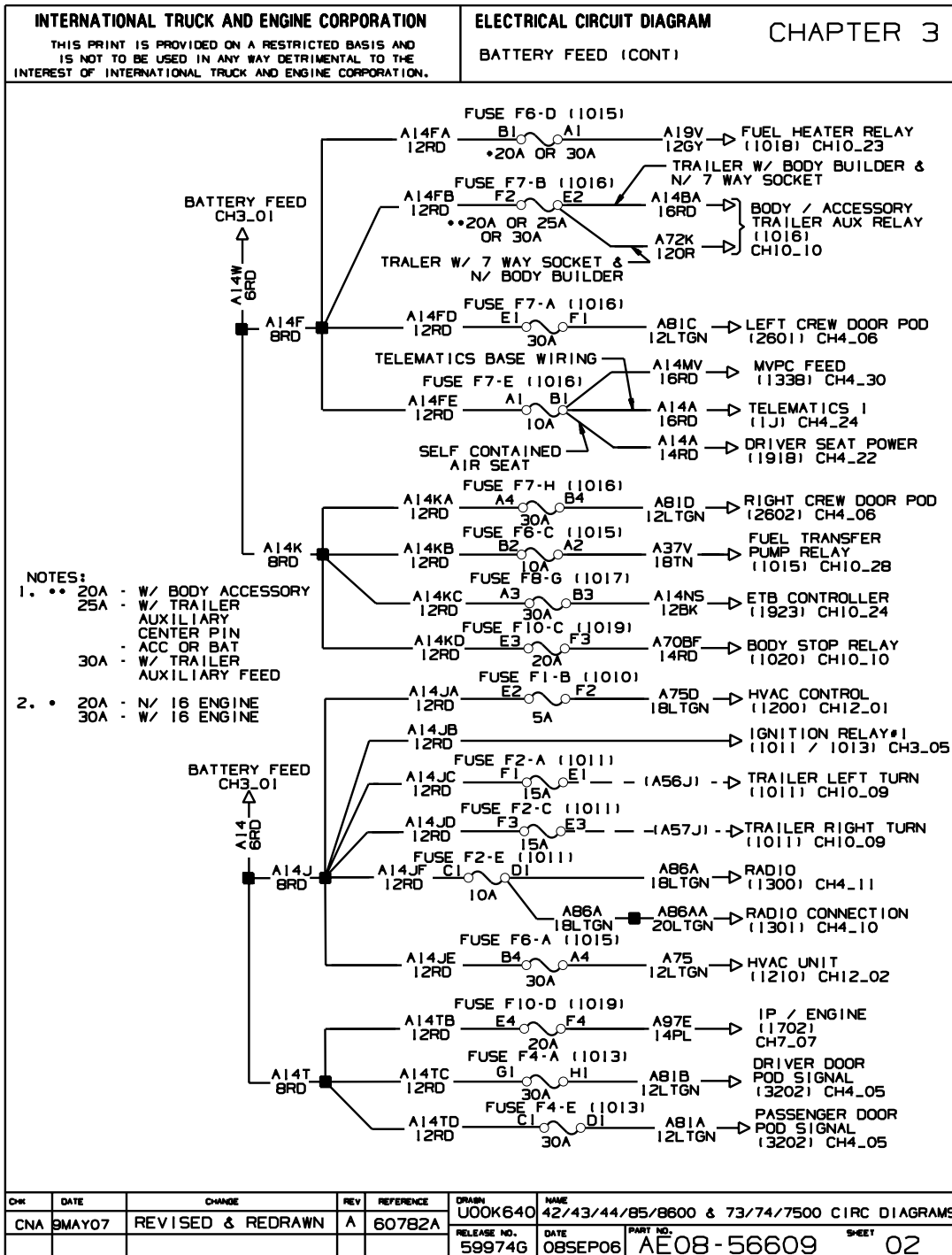


Figure 14 Battery Feeds (Cont.)

3.3. BATTERY FEED, P. 3

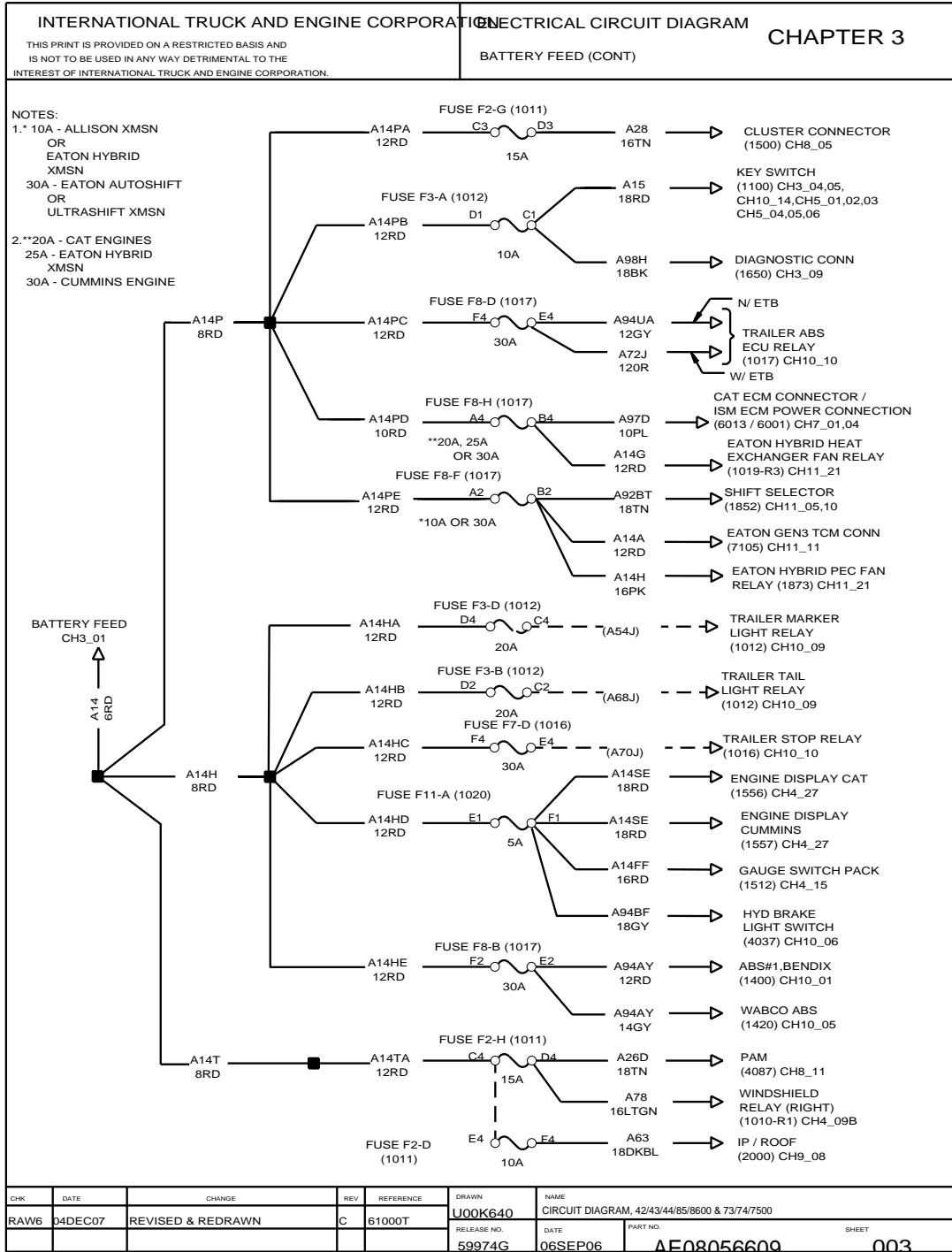


Figure 15 Battery Feed (Cont.)

3.4. ACCESSORY FEED, P. 4

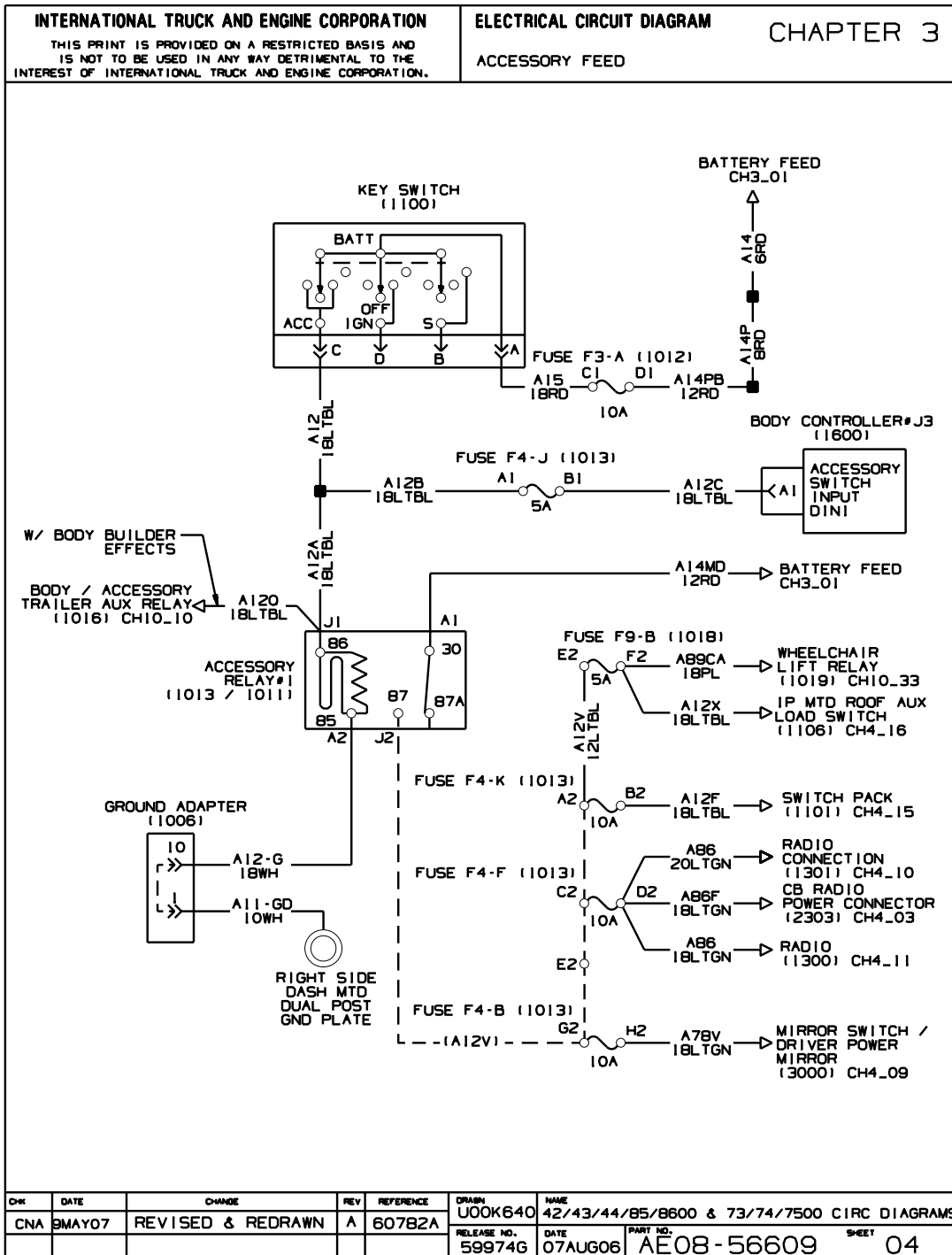


Figure 16 Accessory Feed

3.5. IGNITION FEED — STANDARD, THEFT DETERRENT, REMOTE START/STOP, P. 5

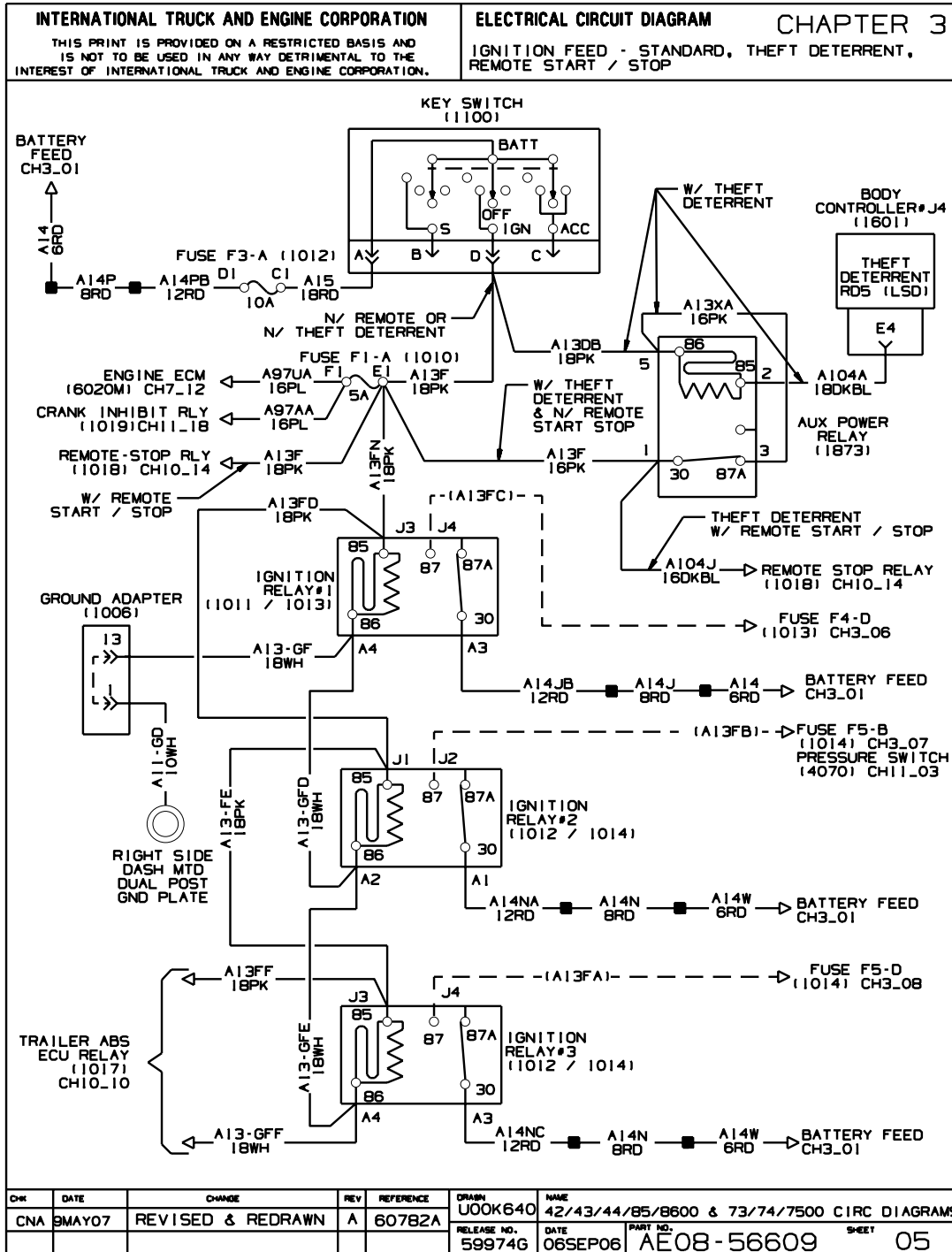


Figure 17 Ignition Feed — Standard, Theft Deterrent, Remote Start/Stop

3.6. IGNITION FEED RELAY 1, P. 6

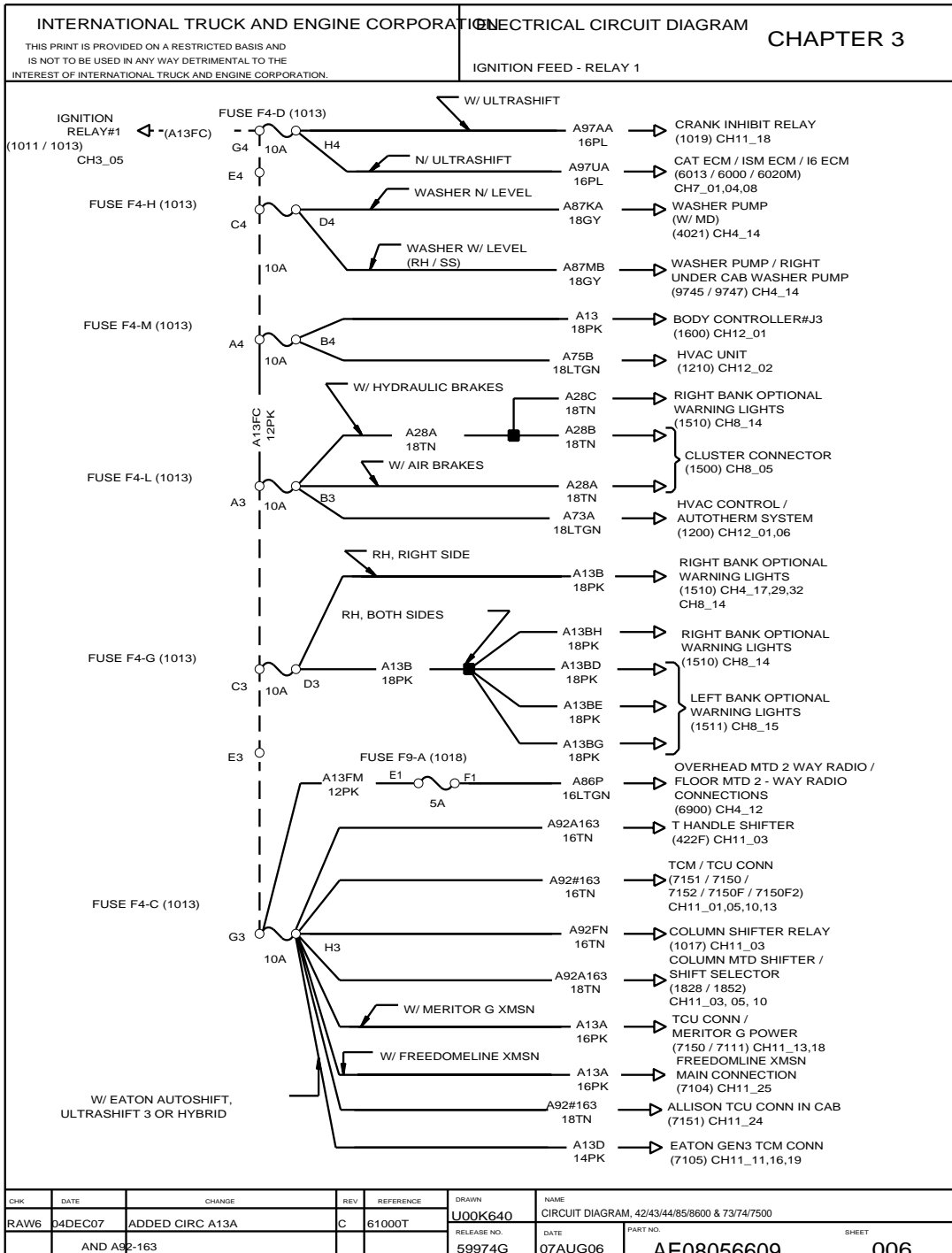


Figure 18 Ignition Feed Relay 1

3.7. IGNITION FEED RELAY 2, P. 7

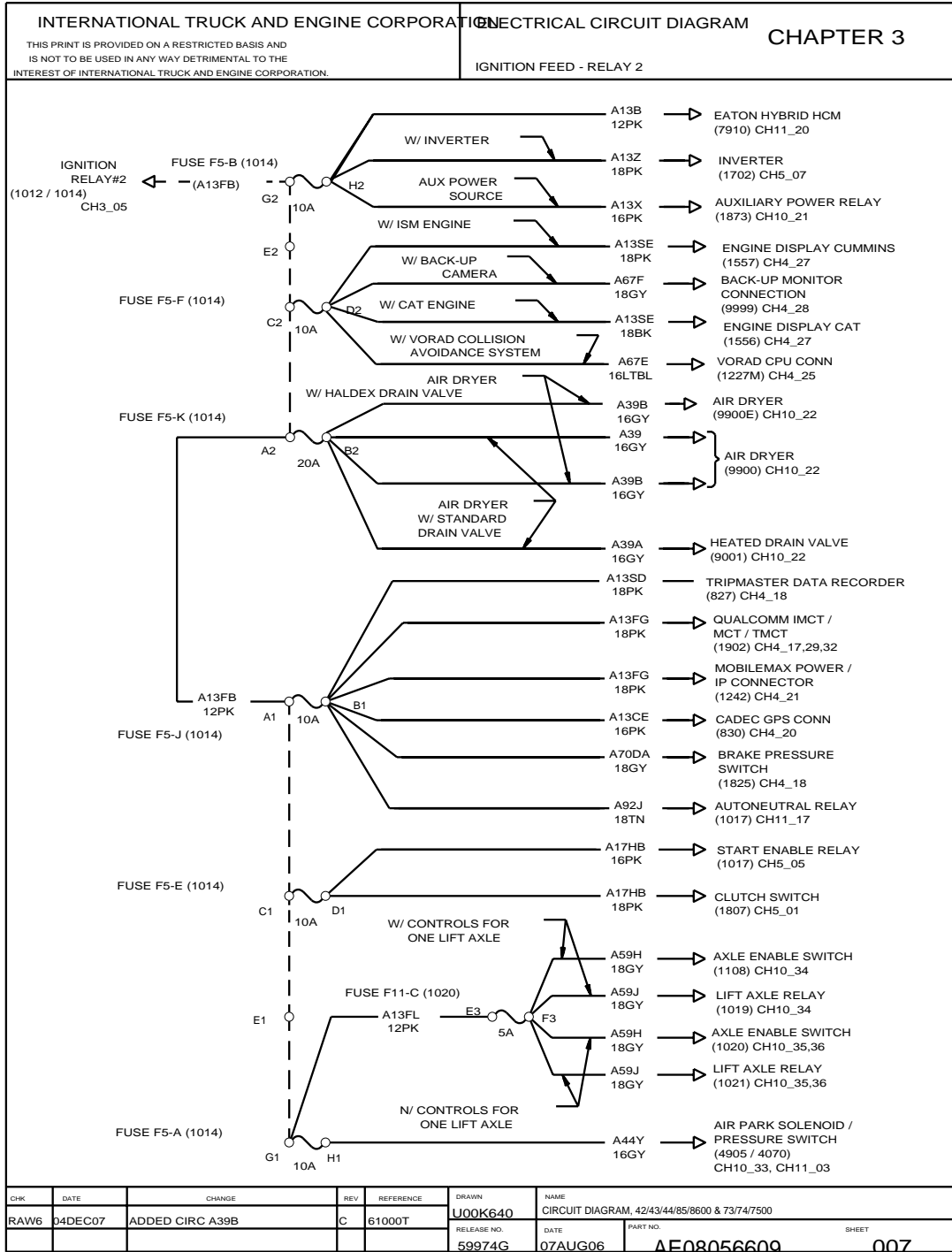


Figure 19 Ignition Feed Relay 2

3.8. IGNITION FEED RELAY 3, P. 8

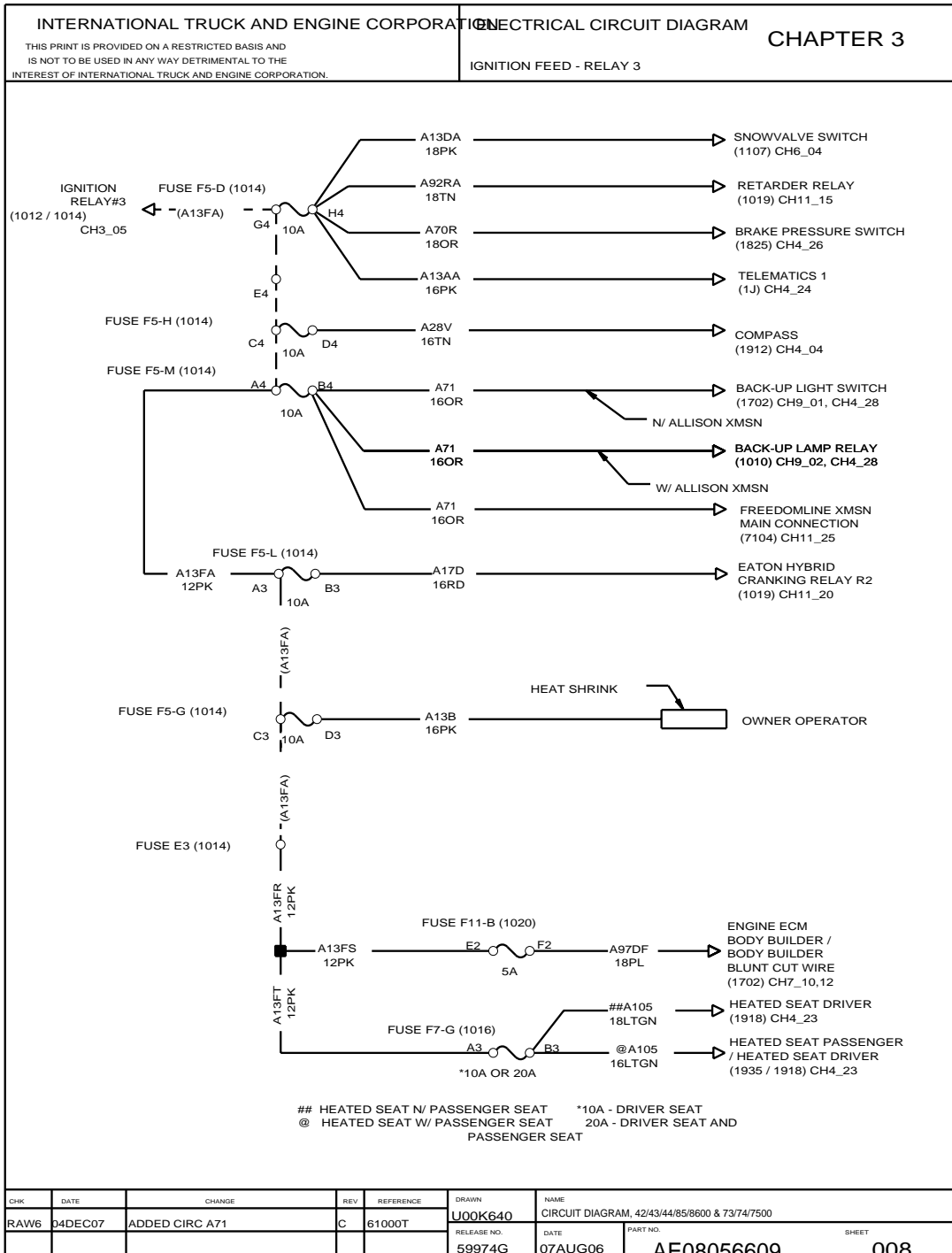


Figure 20 Ignition Feed Relay 3

3.9. J1708 DATA LINK — PUBLIC EFFECTS, P. 9

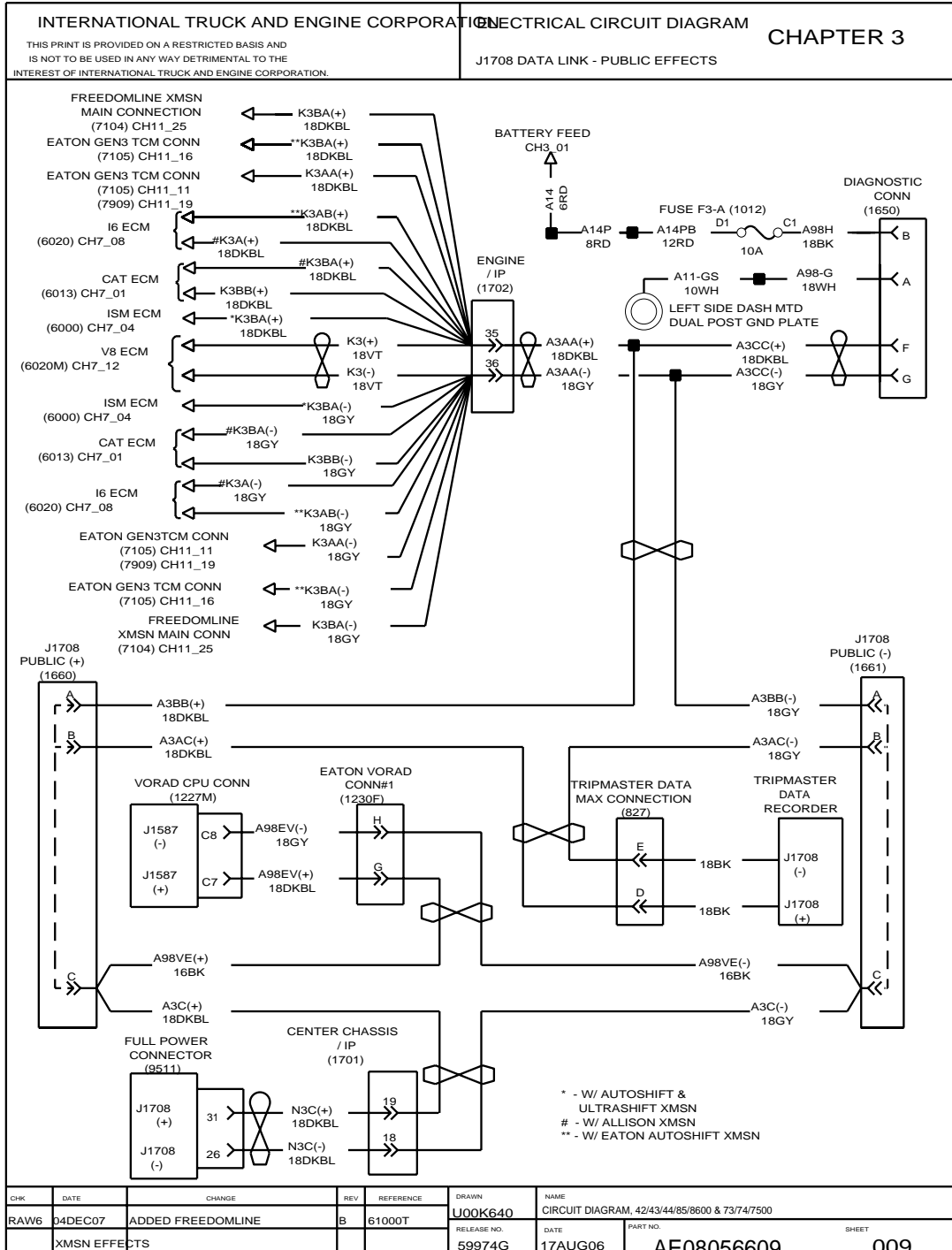


Figure 21 J1708 Data Link — Public Effects

3.10. J1708 DATA LINK — PUBLIC EFFECTS, P. 10

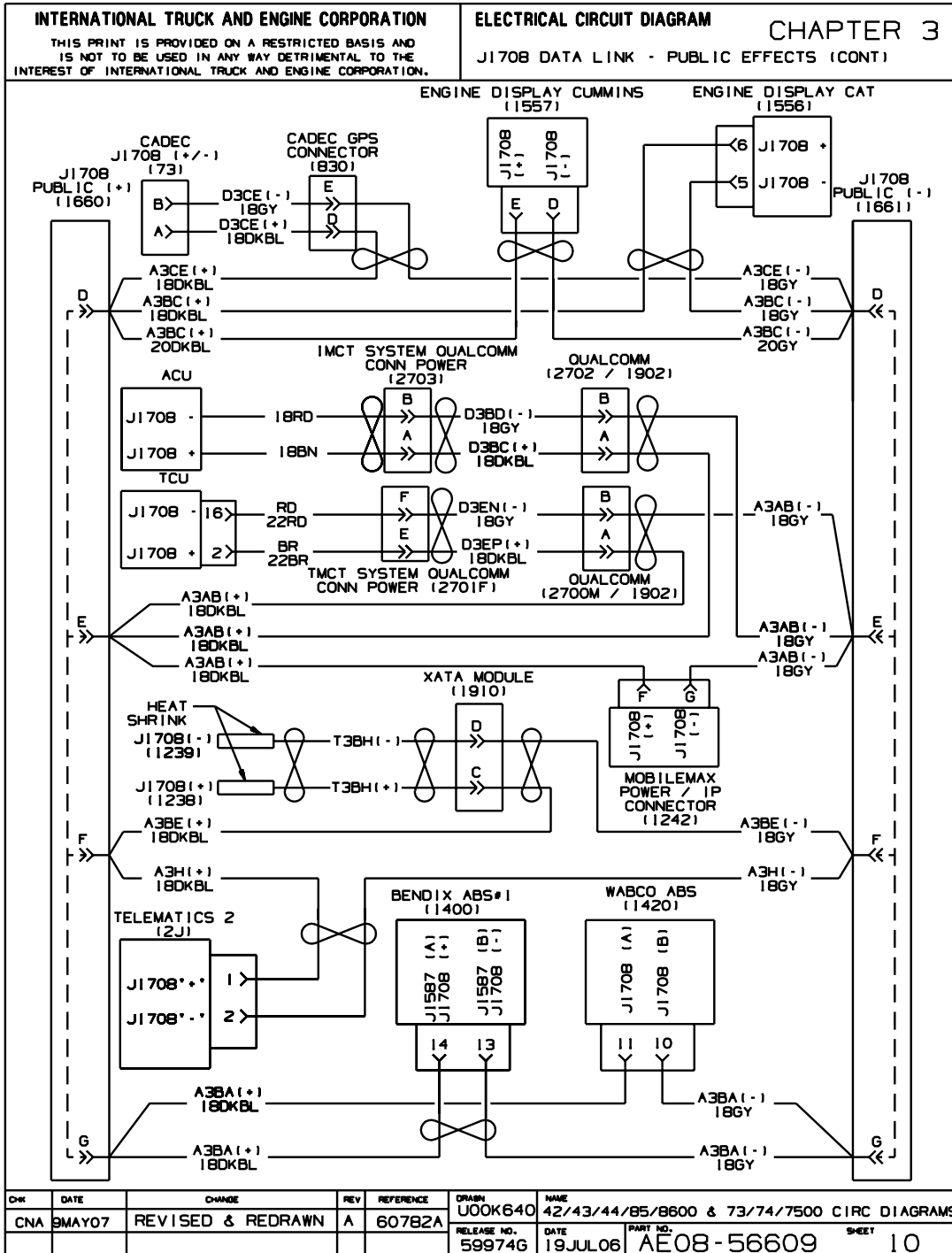


Figure 22 J1708 Data Link — Public Effects (Cont.)

3.11. J1708 DATA LINK — PRIVATE WITH POWER WINDOW AND LOCK, P. 11

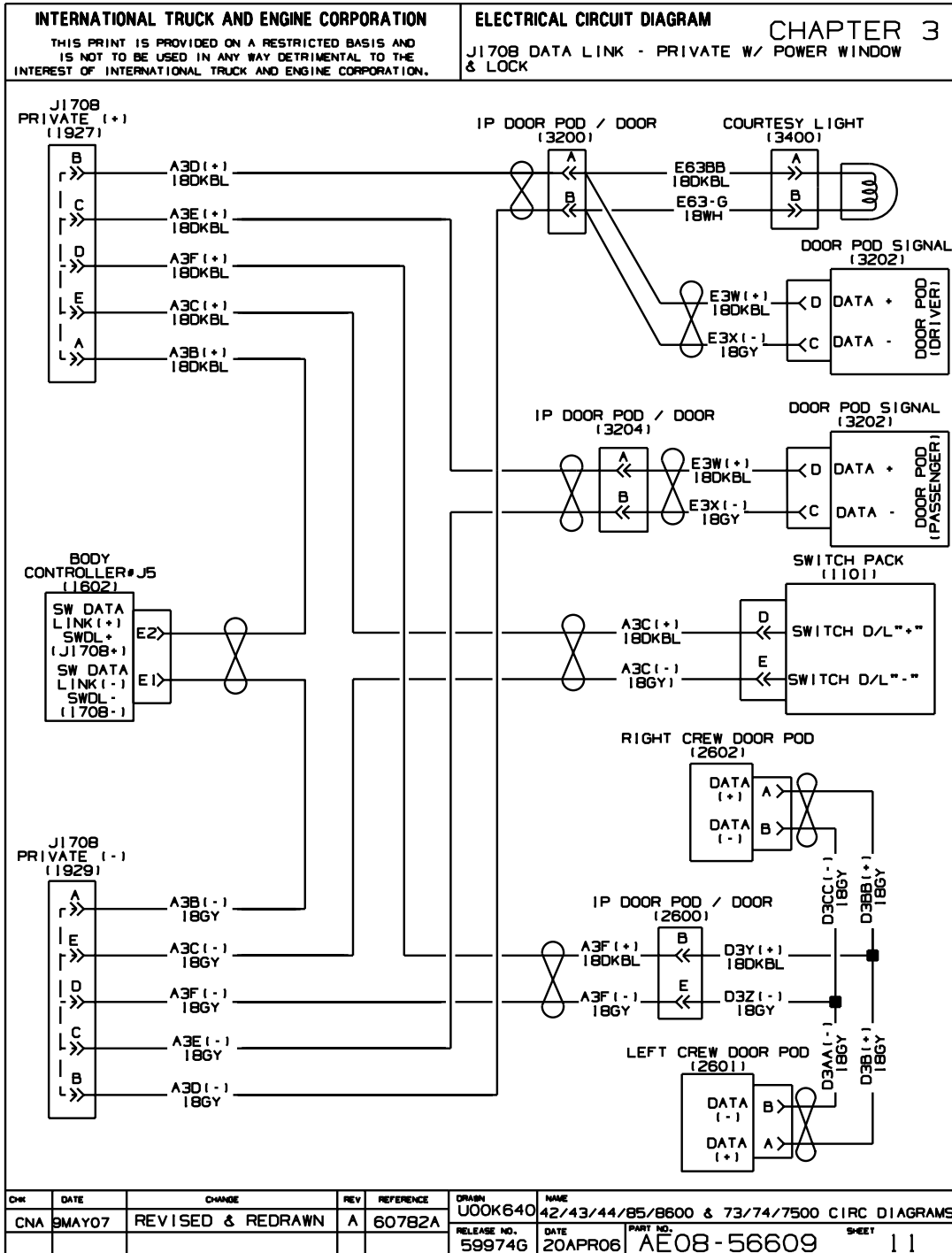


Figure 23 J1708 Data Link — Private with Power Window and Lock

3.12. J1939 DATA LINK, P. 12

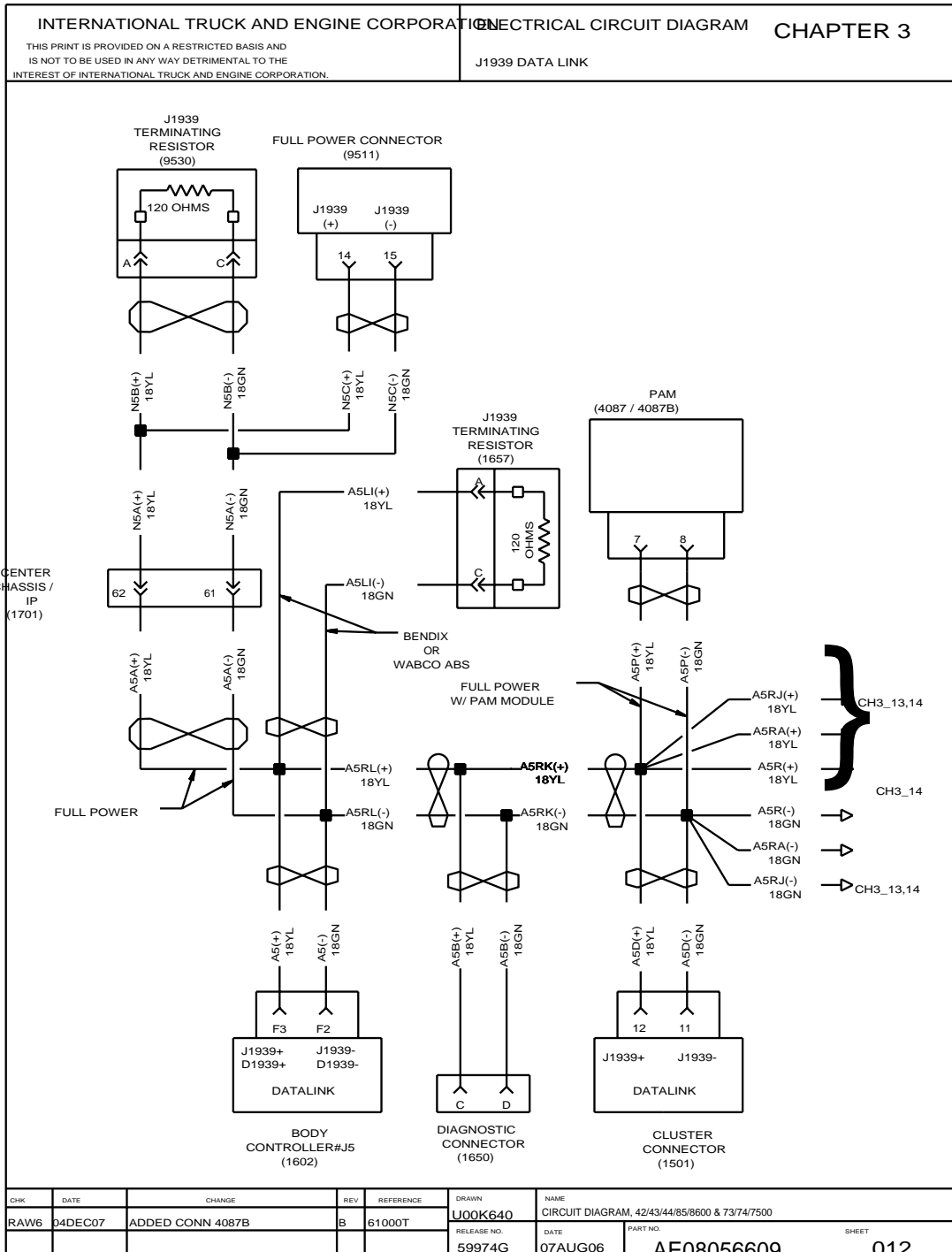


Figure 24 J1939 Data Link

3.13. J1939 DATA LINK WITH OPTIONS, P. 13

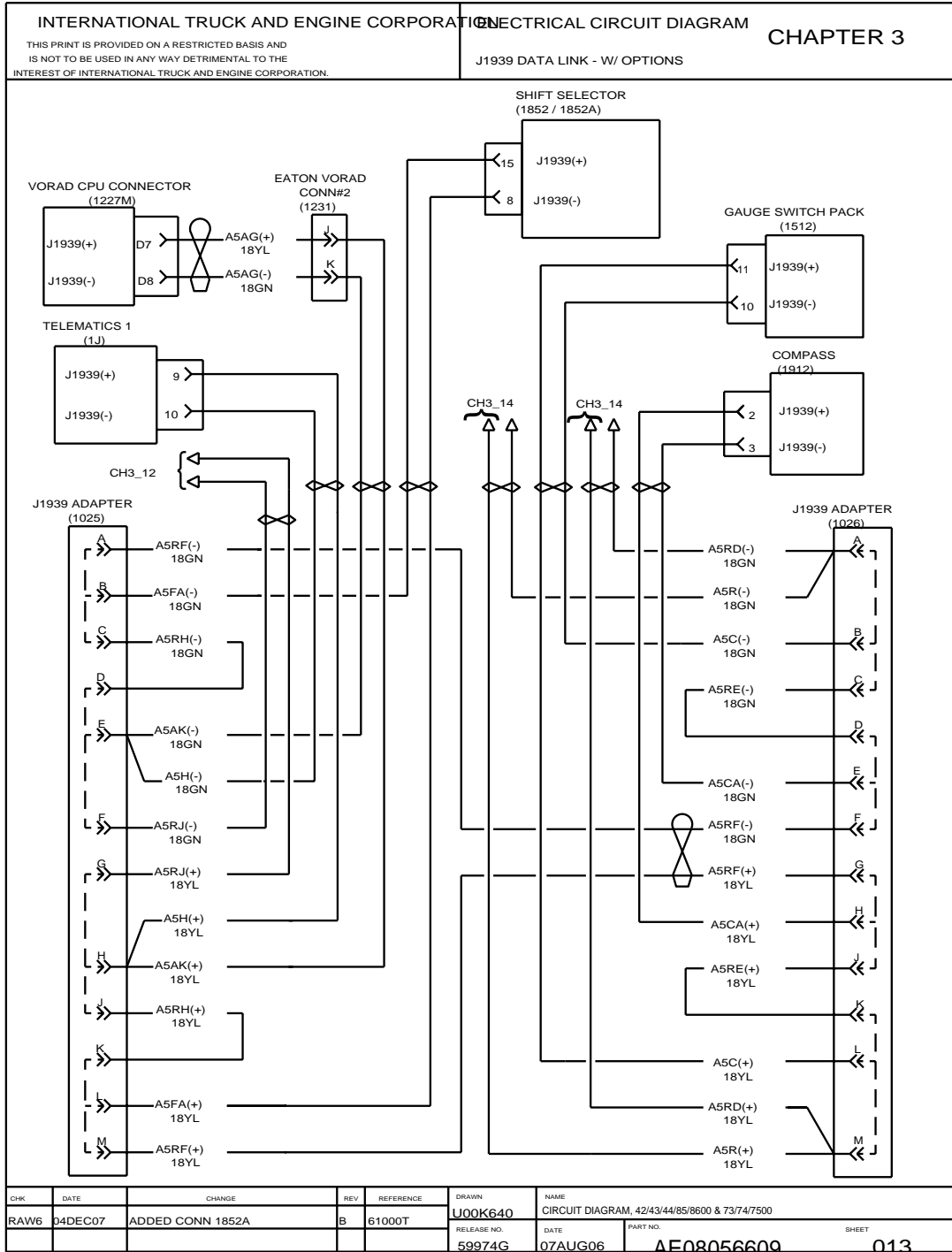


Figure 25 J1939 Data Link with Options

3.14. J1939 DATA LINK WITH OPTIONS, P. 14

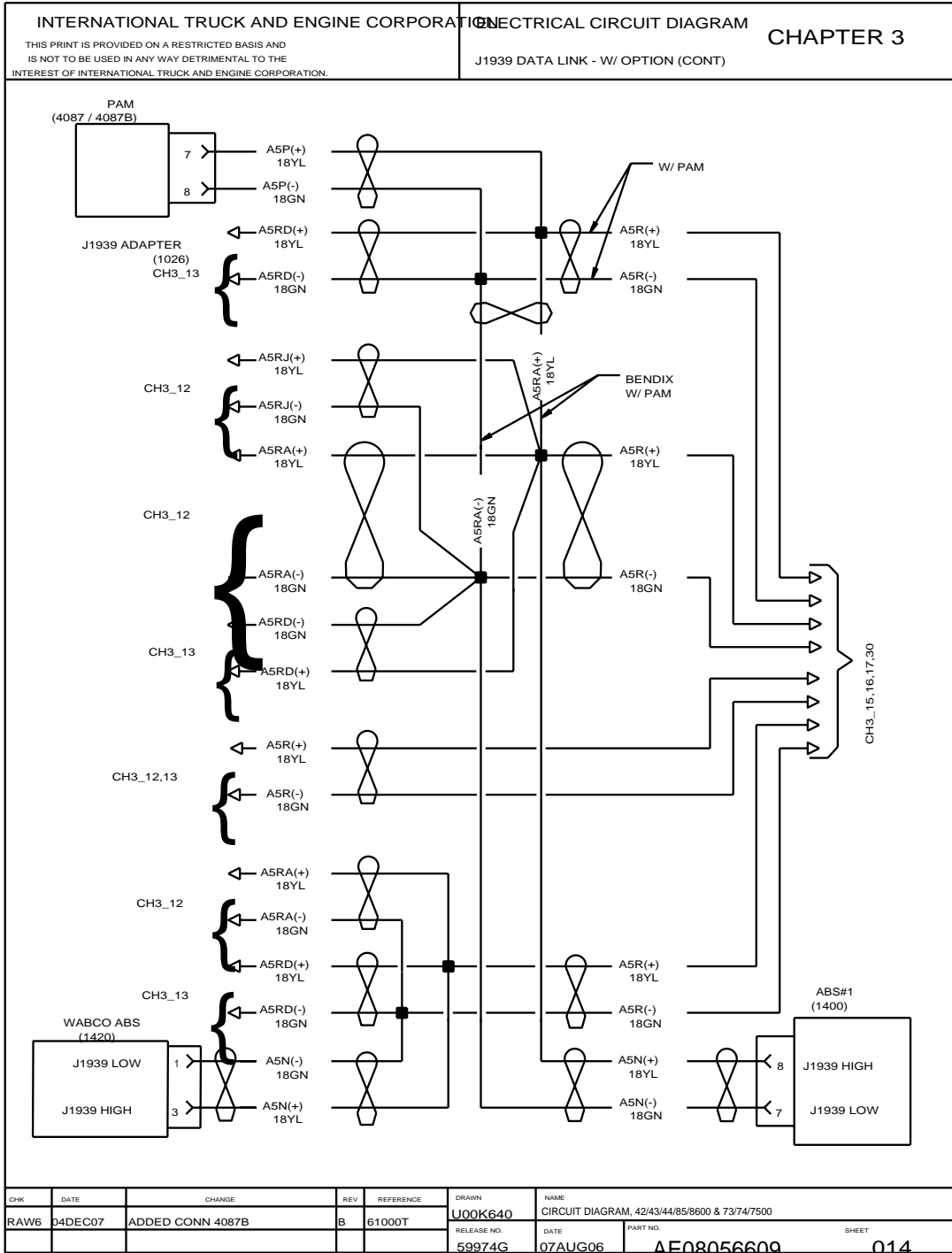


Figure 26 J1939 Data Link with Options

3.15. J1939 DATA LINK — ISM 2007 ENGINE, P. 15

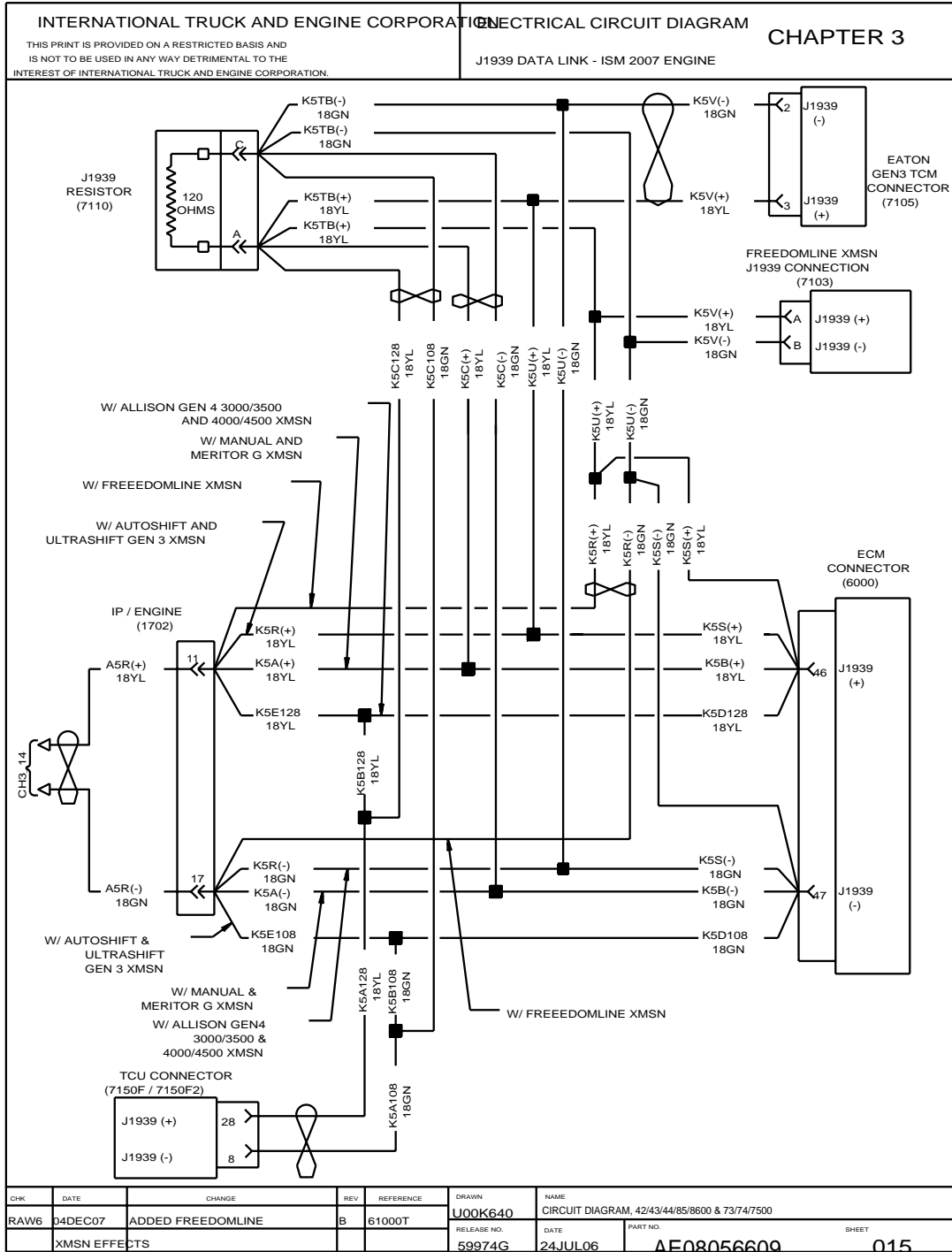


Figure 27 J1939 Data Link — ISM 2007 Engine

3.16. J1939 DATA LINK — I6 2007 ENGINE, P. 16

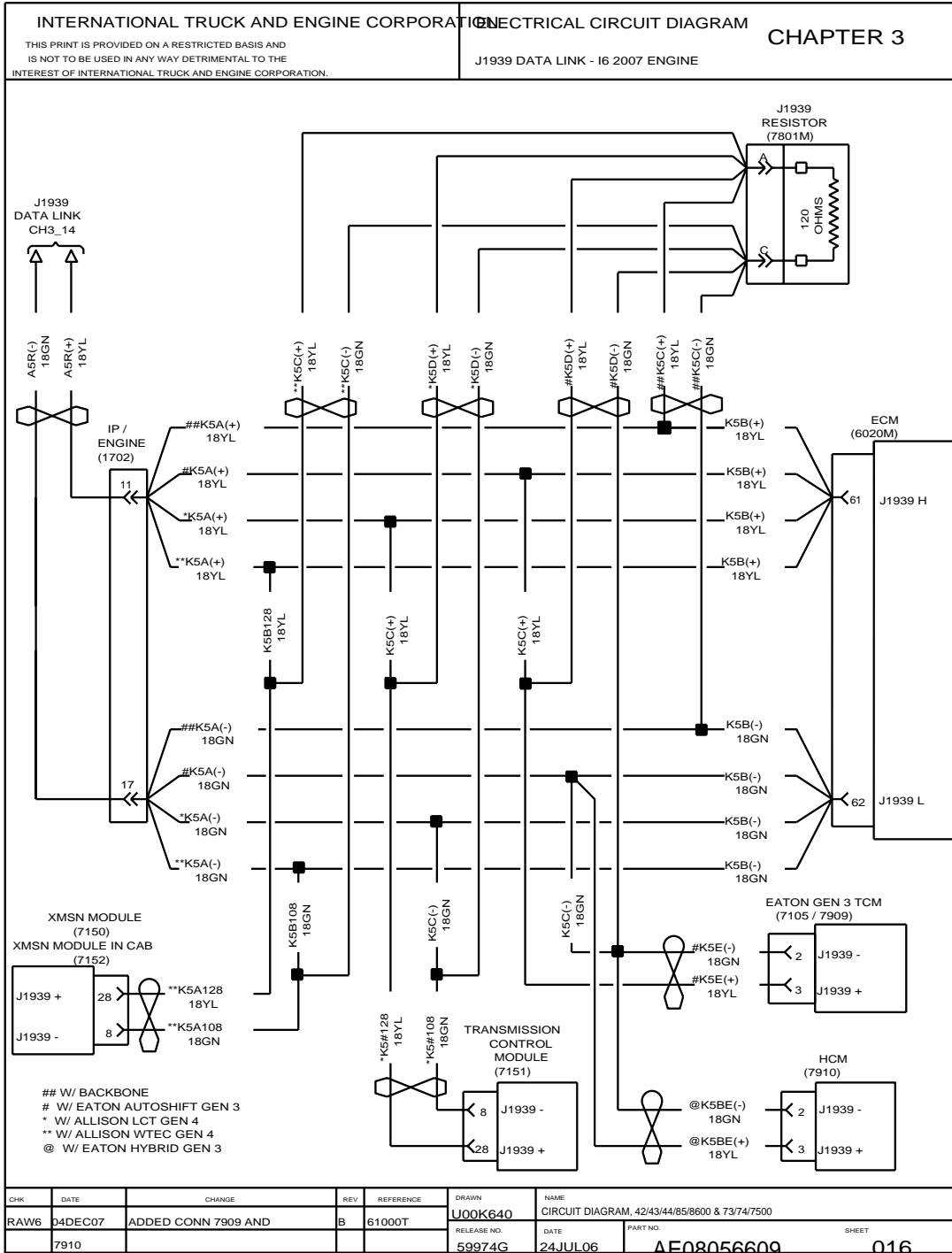


Figure 28 J1939 Data Link — I6 2007 Engine

3.17. J1939 DATA LINK — C11/C13 2007 ENGINE, P. 17

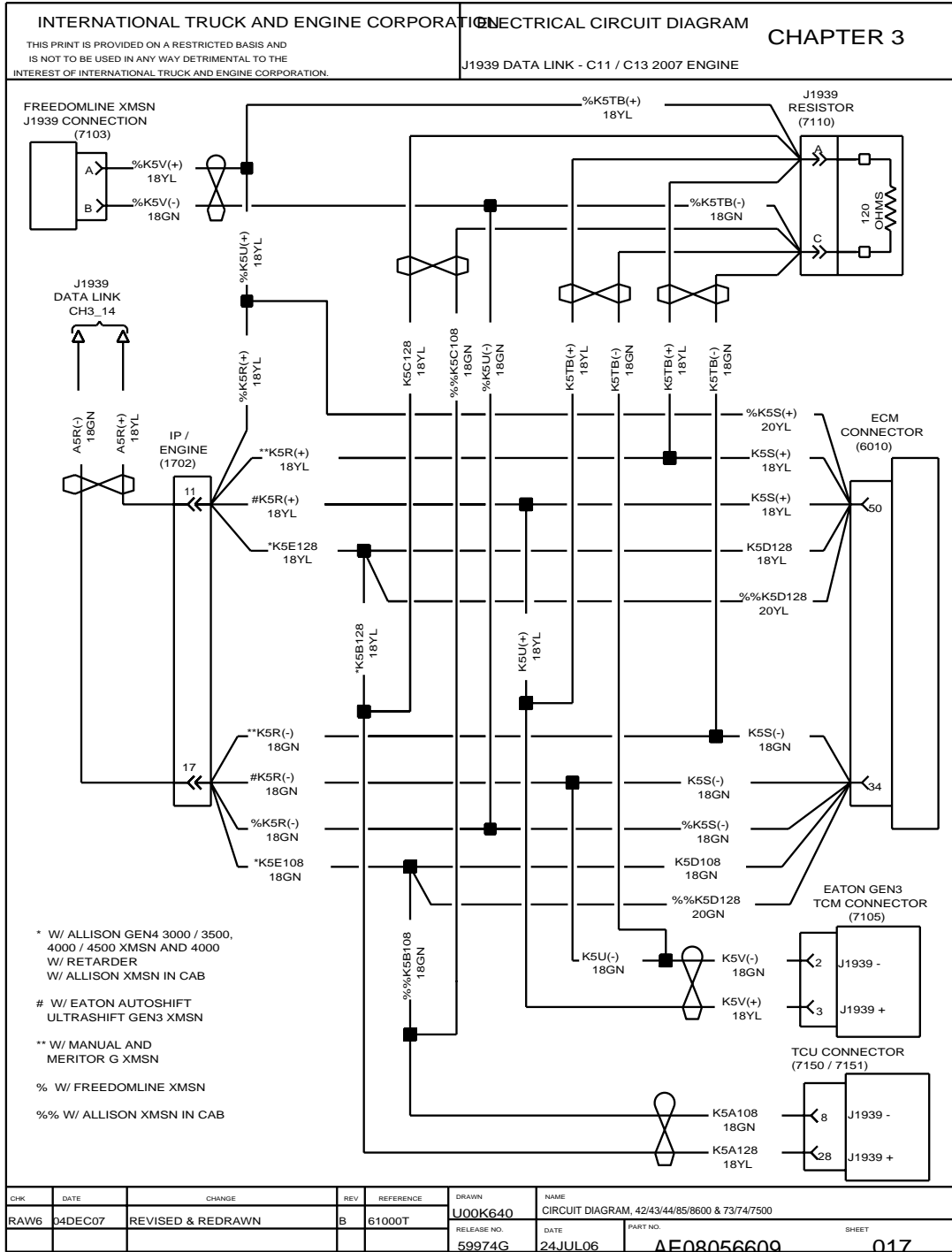


Figure 29 J1939 Data Link — C11/C13 2007 Engine

3.18. GROUND — IP, P. 18

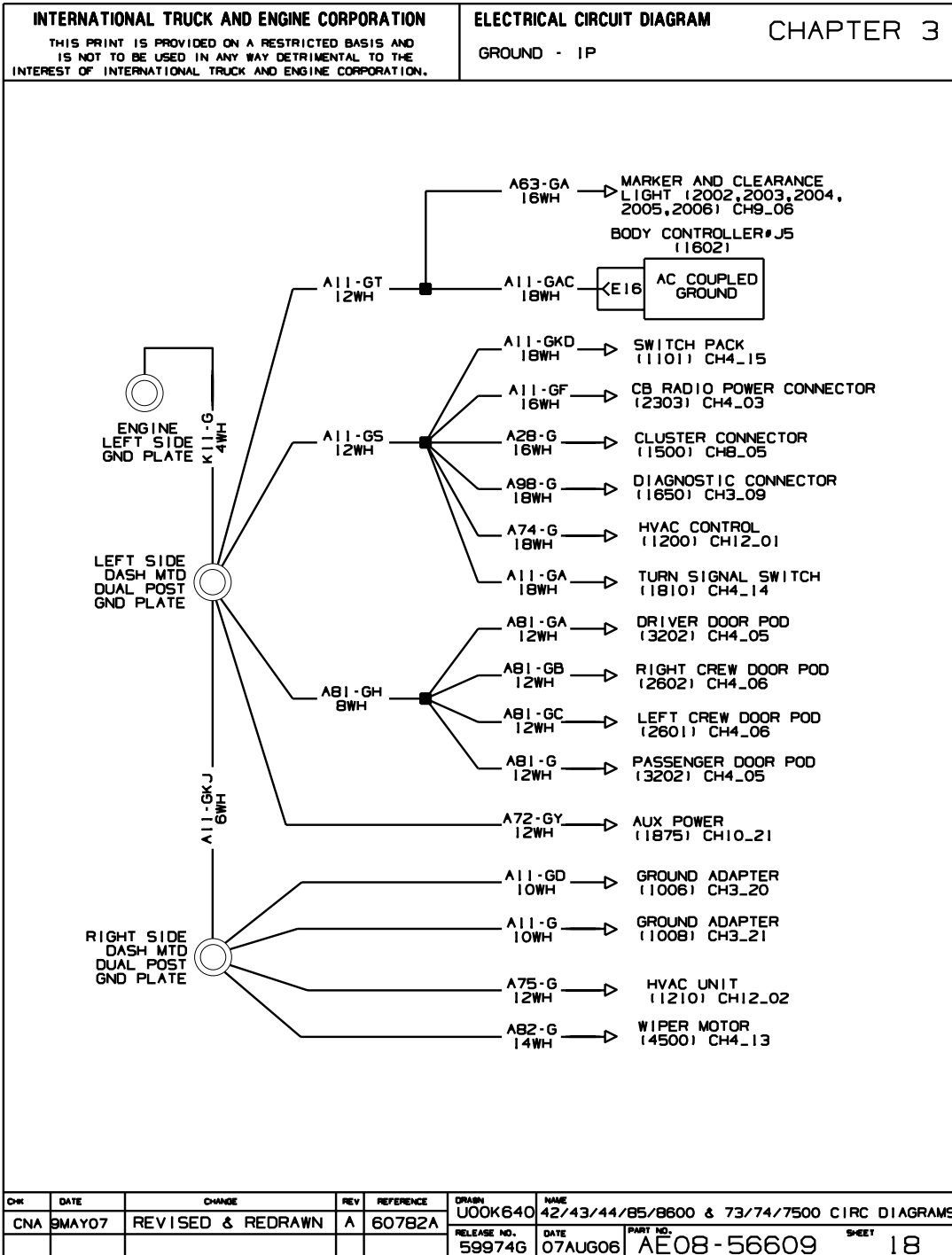


Figure 30 Ground — IP

3.19. GROUND — IP, P. 19

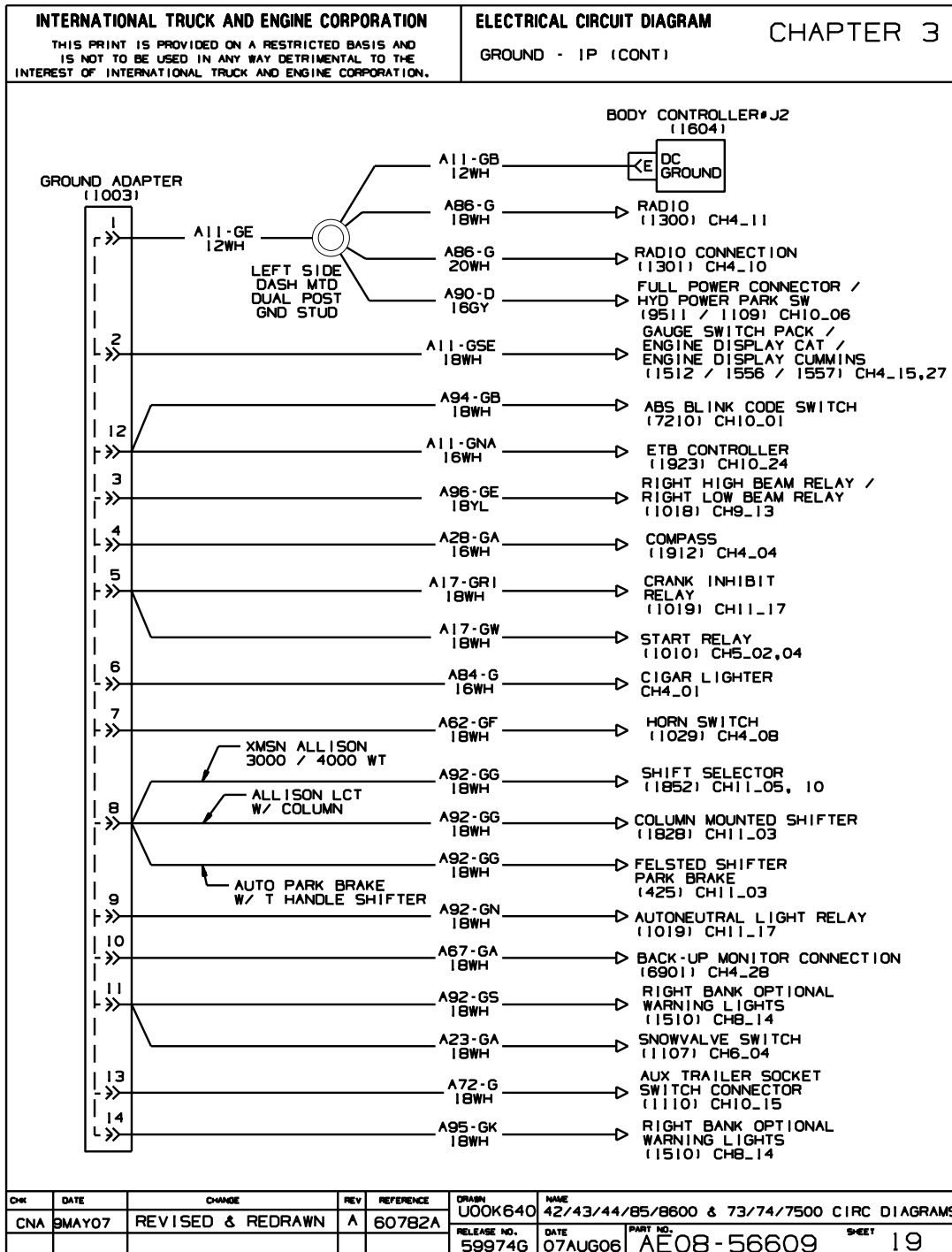


Figure 31 Ground — IP (Cont.)

3.20. GROUND — IP, P. 20

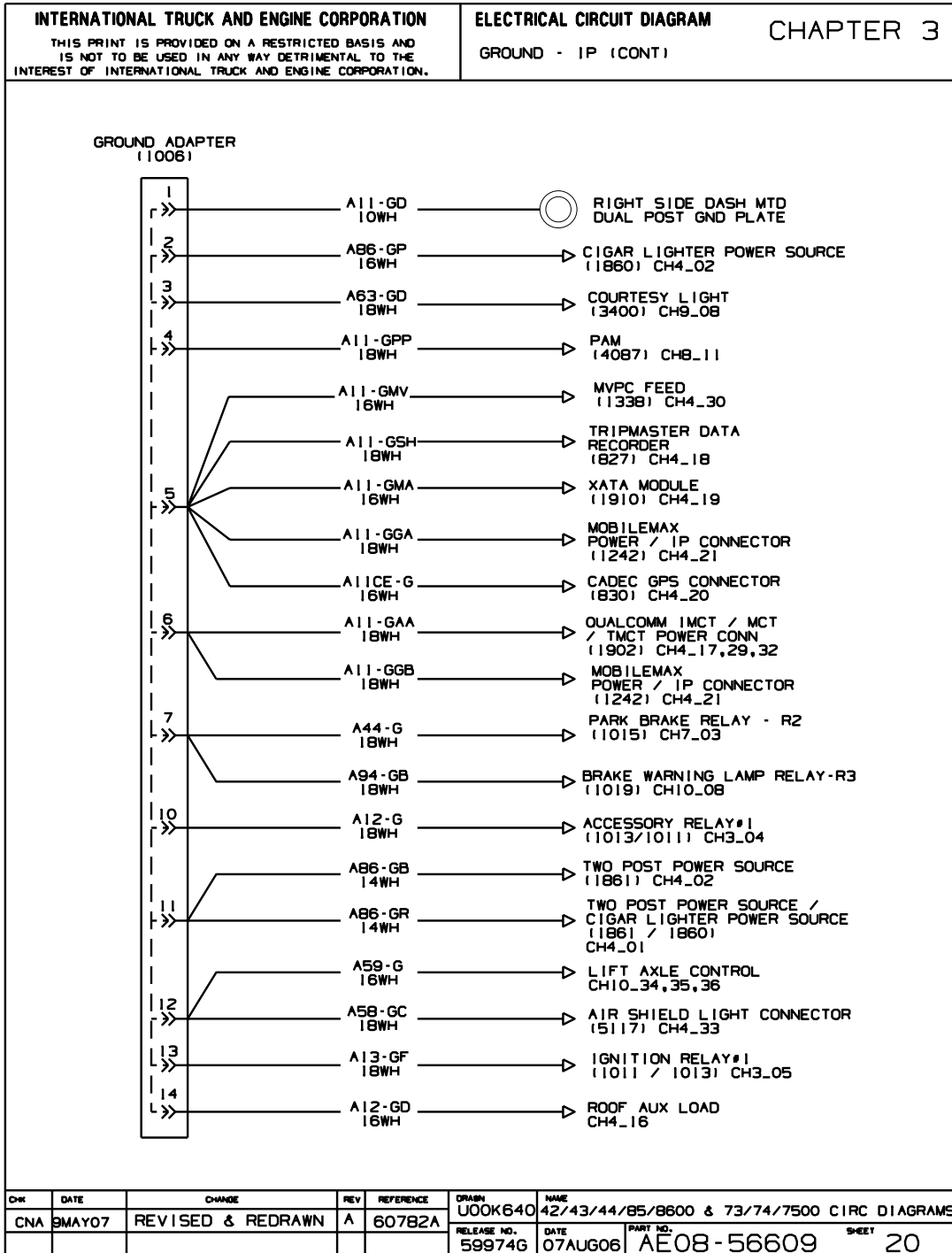


Figure 32 Ground — IP (Cont.)

3.21. GROUND — IP, P. 21

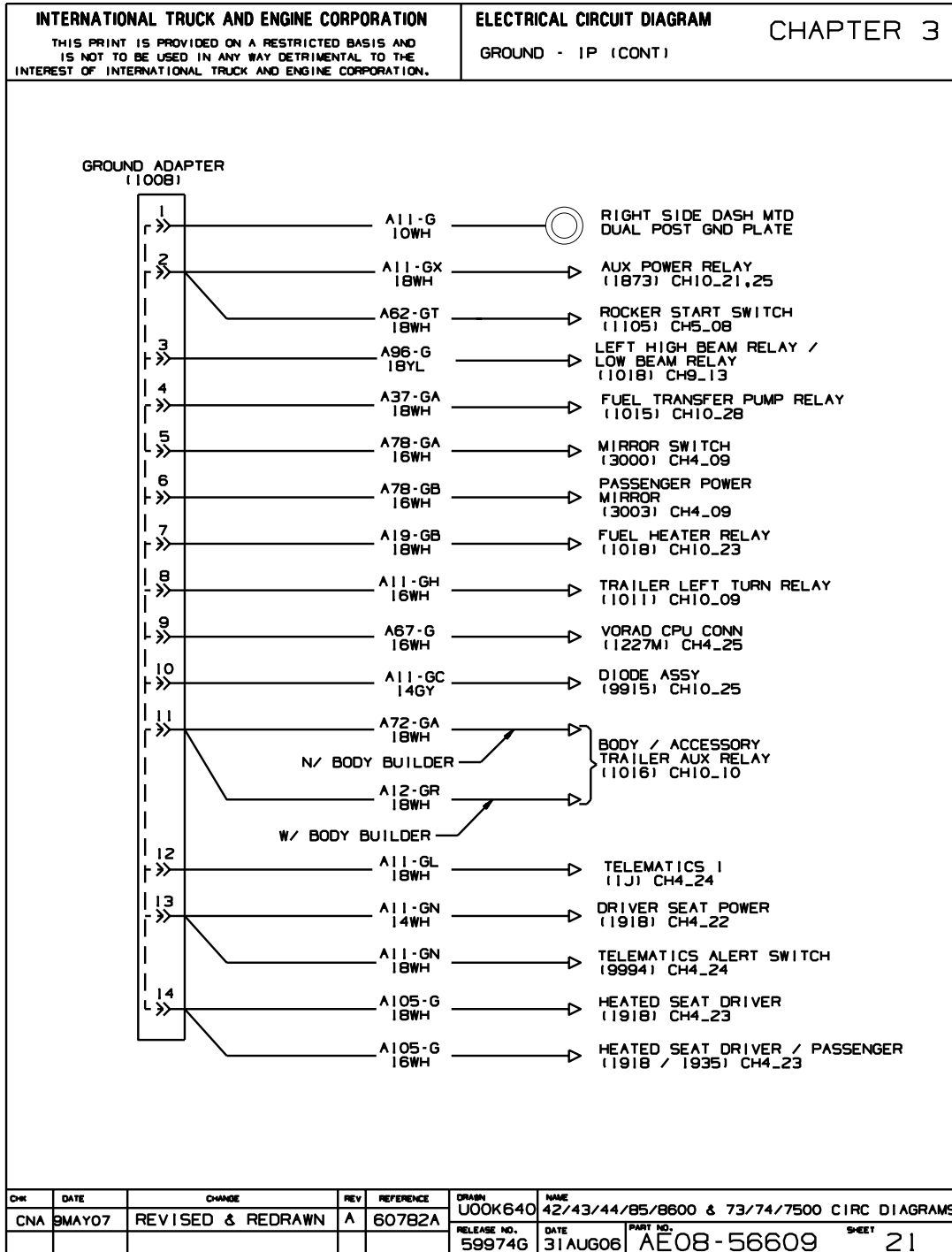


Figure 33 Ground — IP (Cont.)

3.22. ENGINE GROUND, P. 22

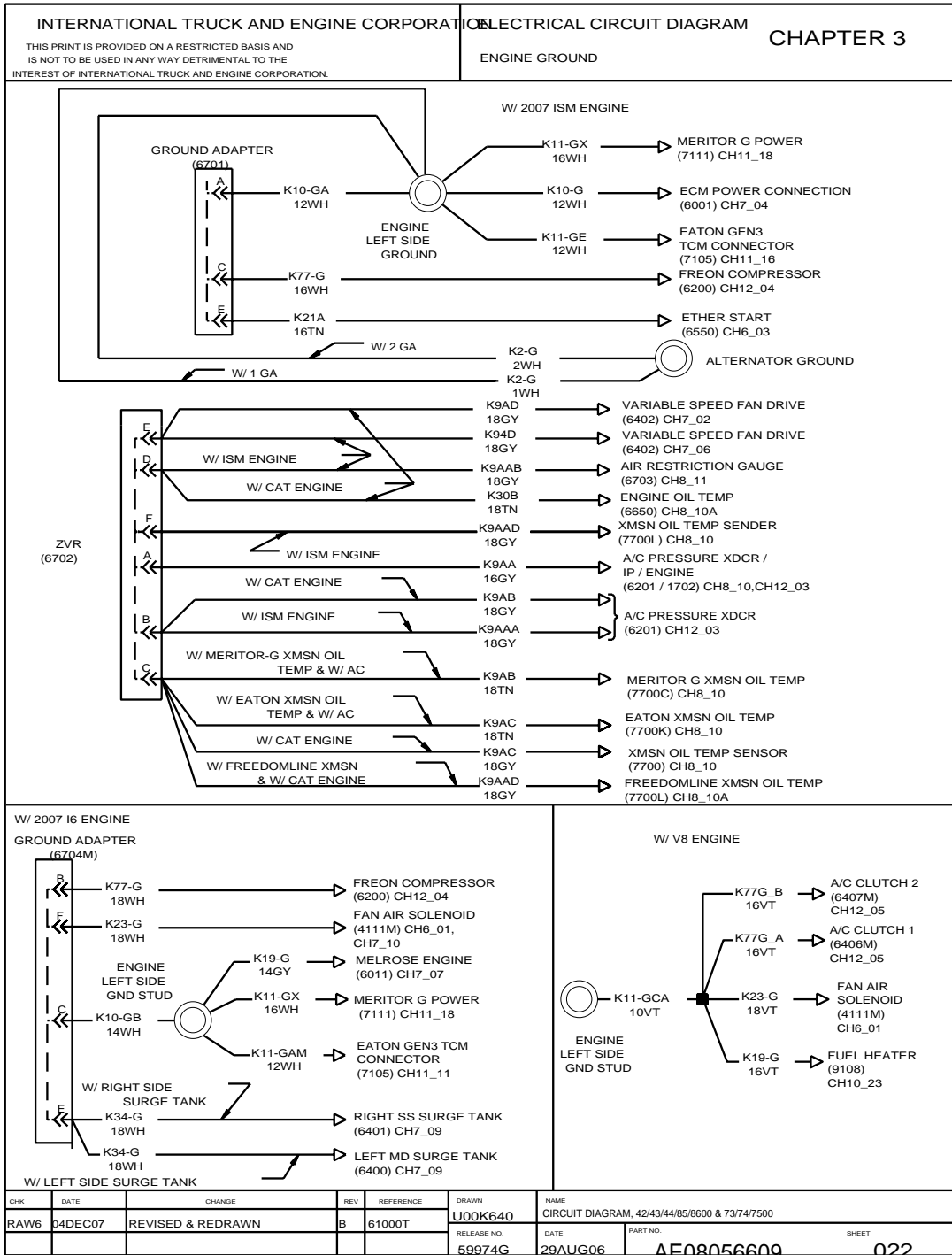


Figure 34 Engine Ground

3.23. ENGINE GROUND, P. 23

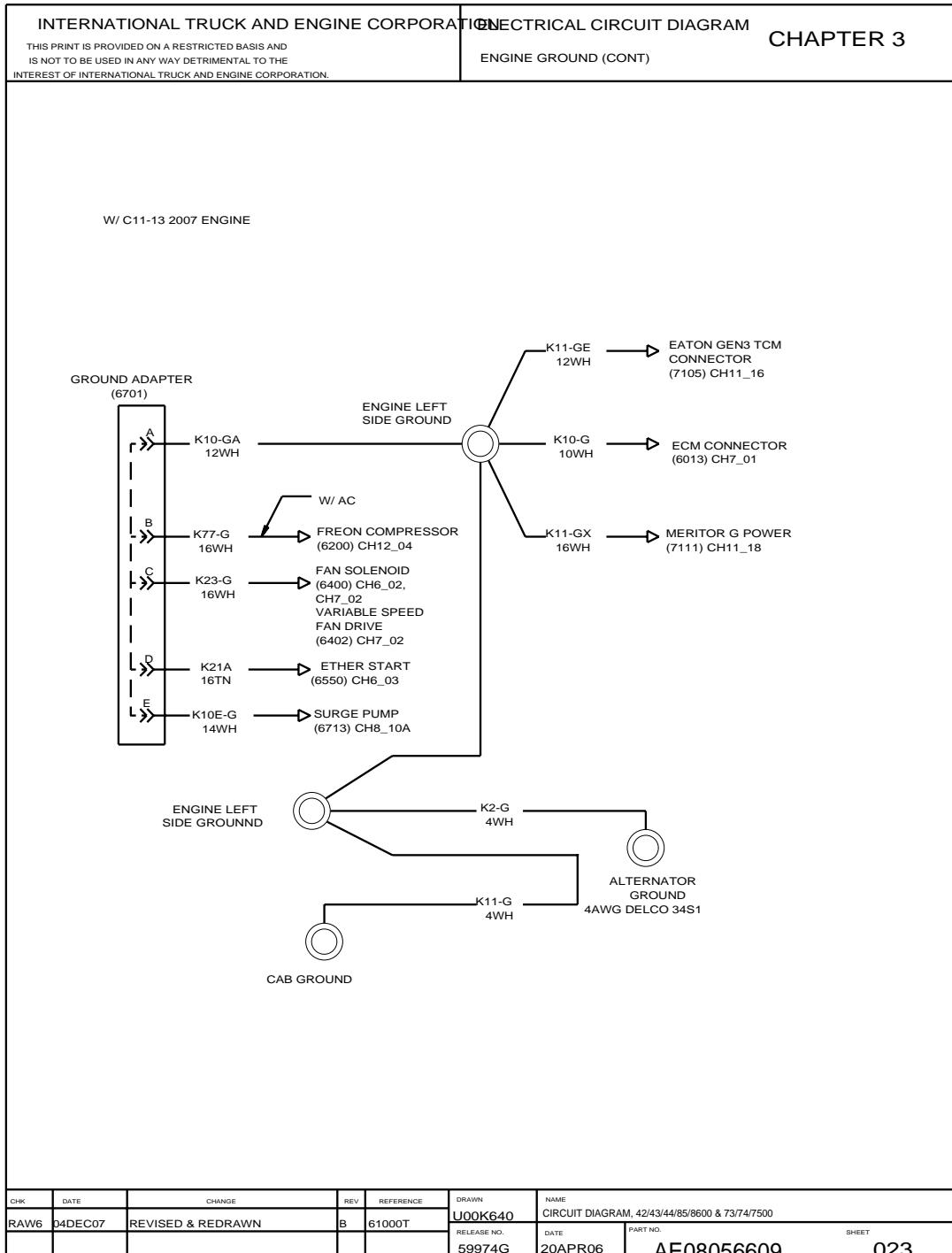


Figure 35 Engine Ground (Cont.)

3.24. GROUND — CHASSIS, P. 24

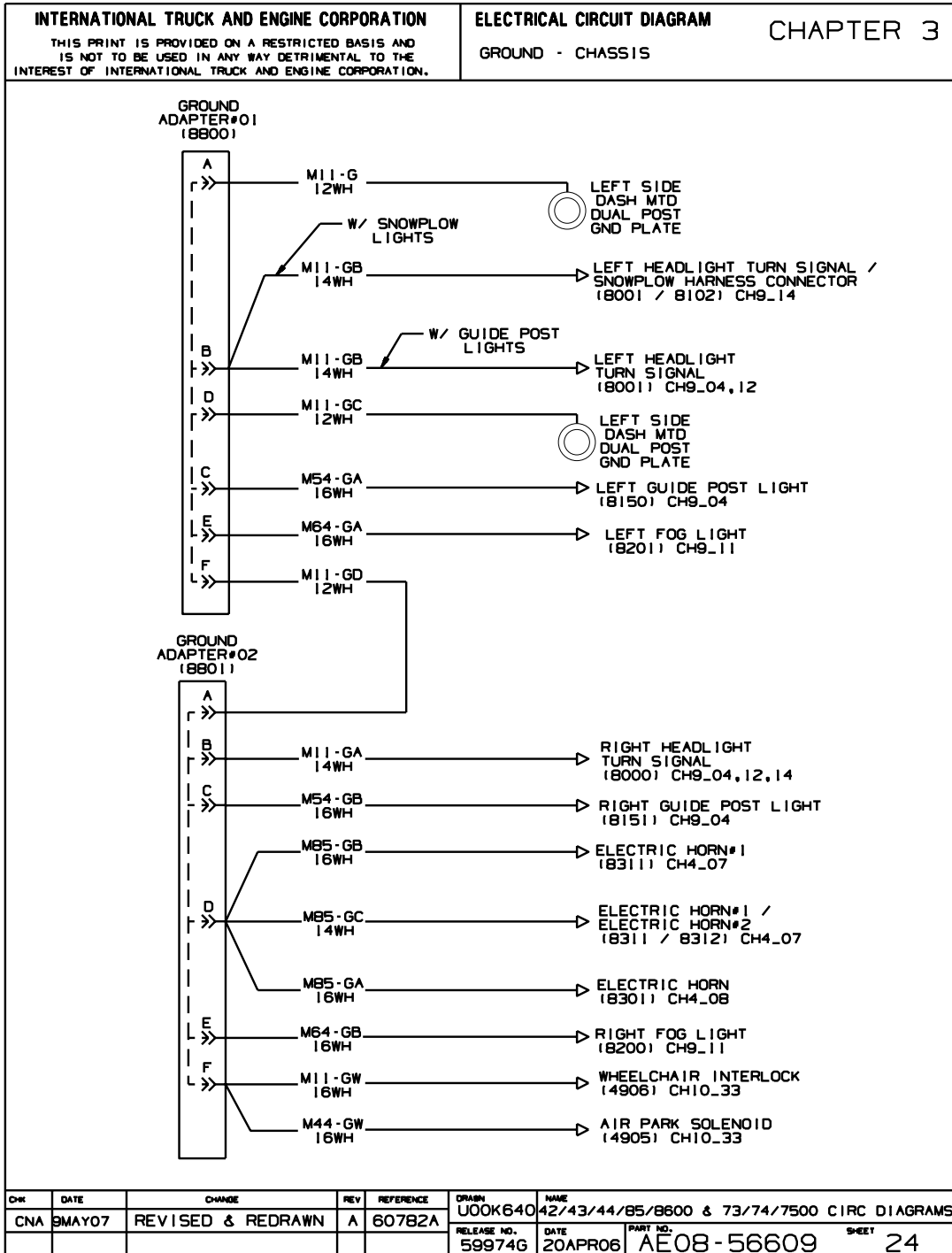


Figure 36 Ground — Chassis

3.25. GROUND — CHASSIS WITH HEAVY DUTY DIESEL, P. 25

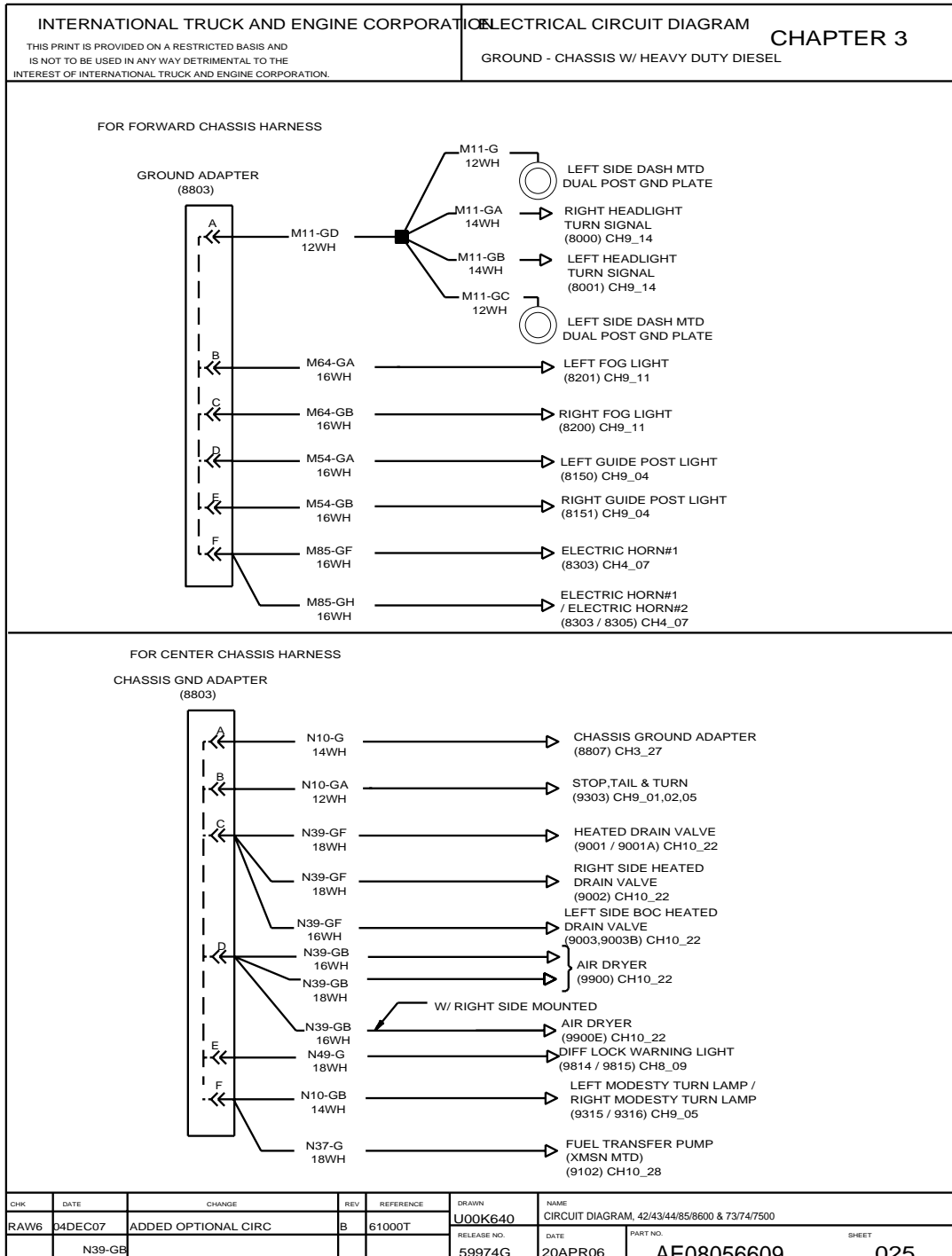


Figure 37 Ground — Chassis with Heavy Duty Diesel

3.26. GROUND — CHASSIS, P. 26

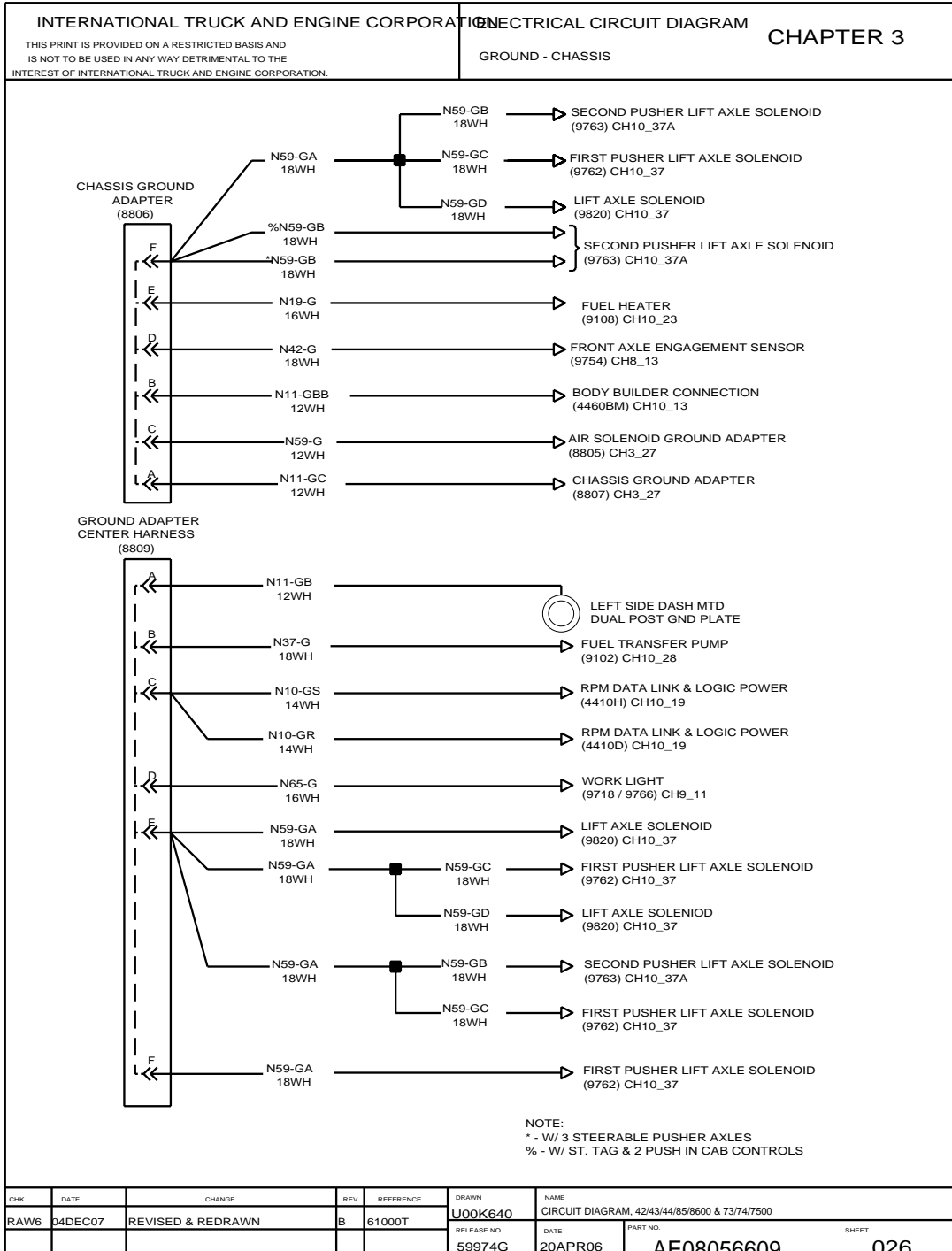


Figure 38 Ground — Chassis

3.27. ZERO VOLT REFERENCE, P. 27

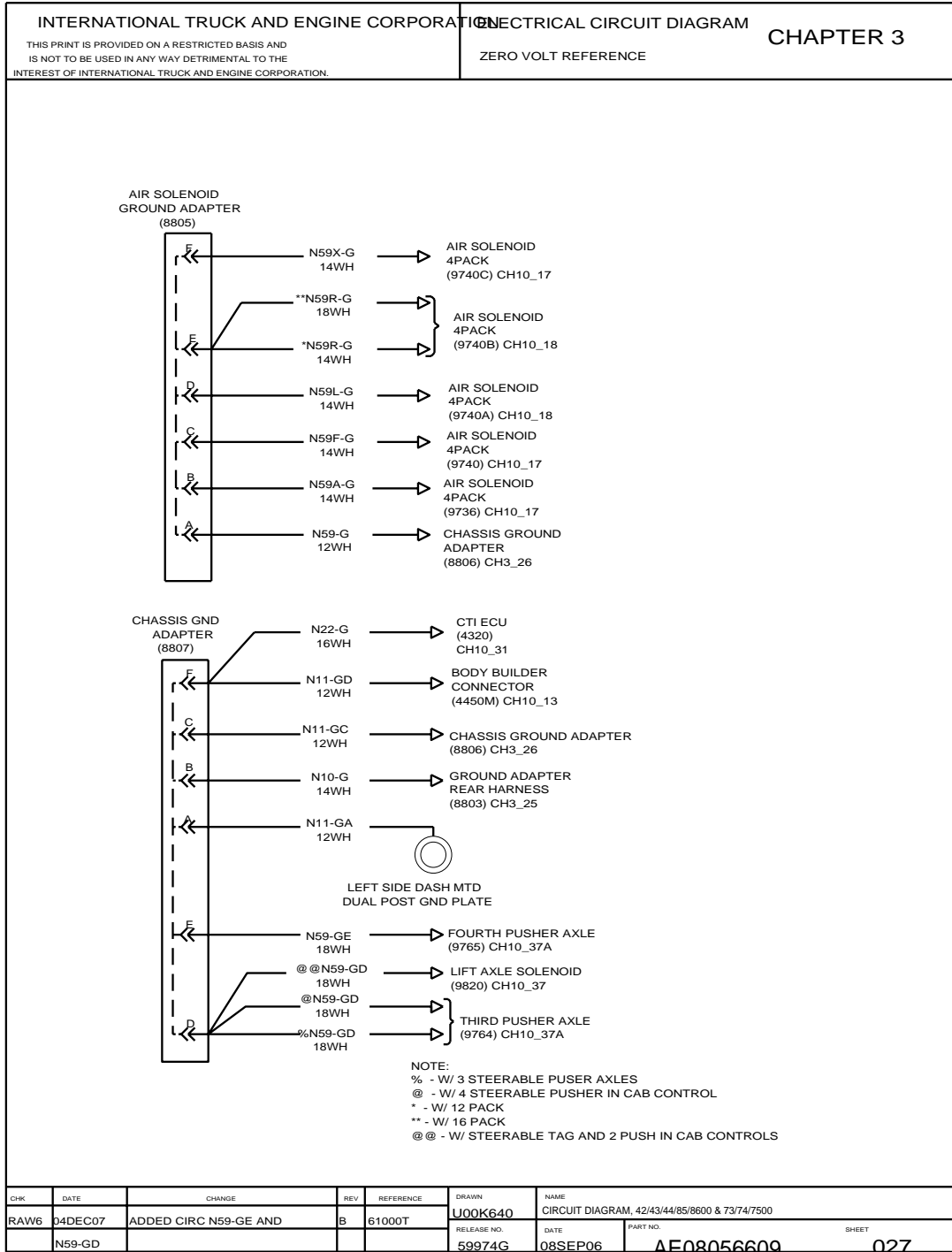


Figure 39 Zero Volt Reference

3.28. ZERO VOLT REFERENCE, P. 28

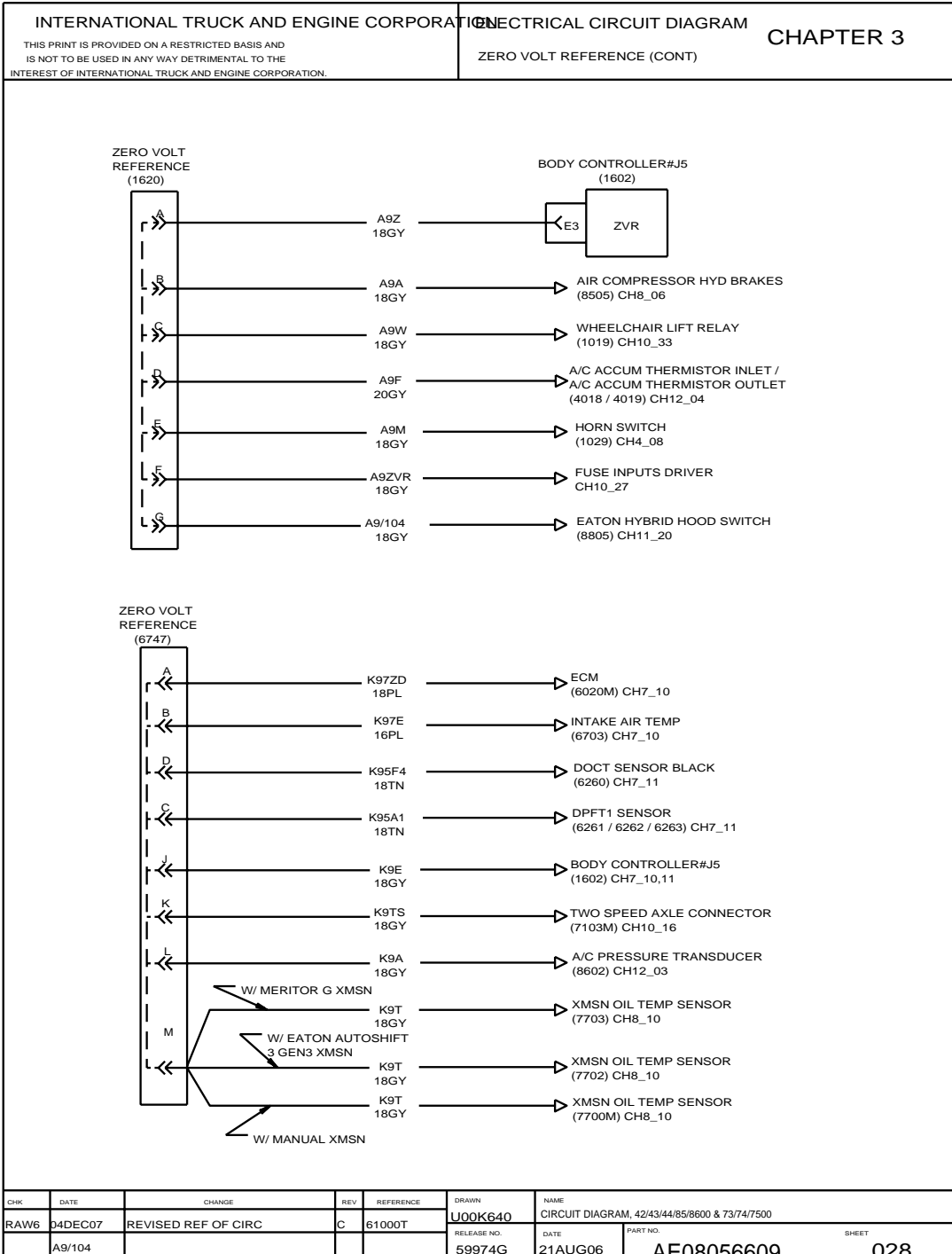


Figure 40 Zero Volt Reference

3.29. GROUND — CHASSIS, P. 29

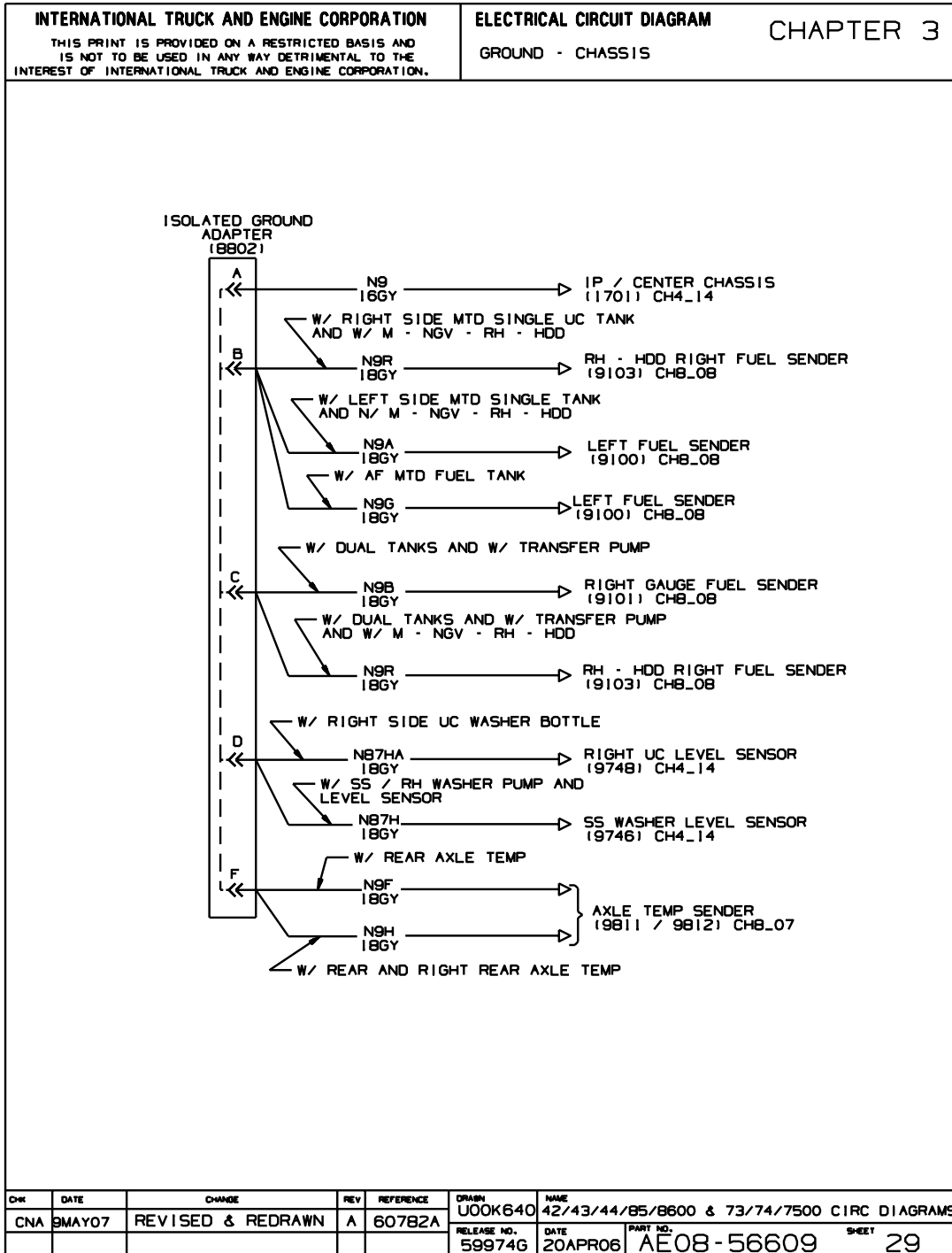


Figure 41 Ground — Chassis

3.30. J1939 DATA LINK WITH V8 ENGINE, P. 30

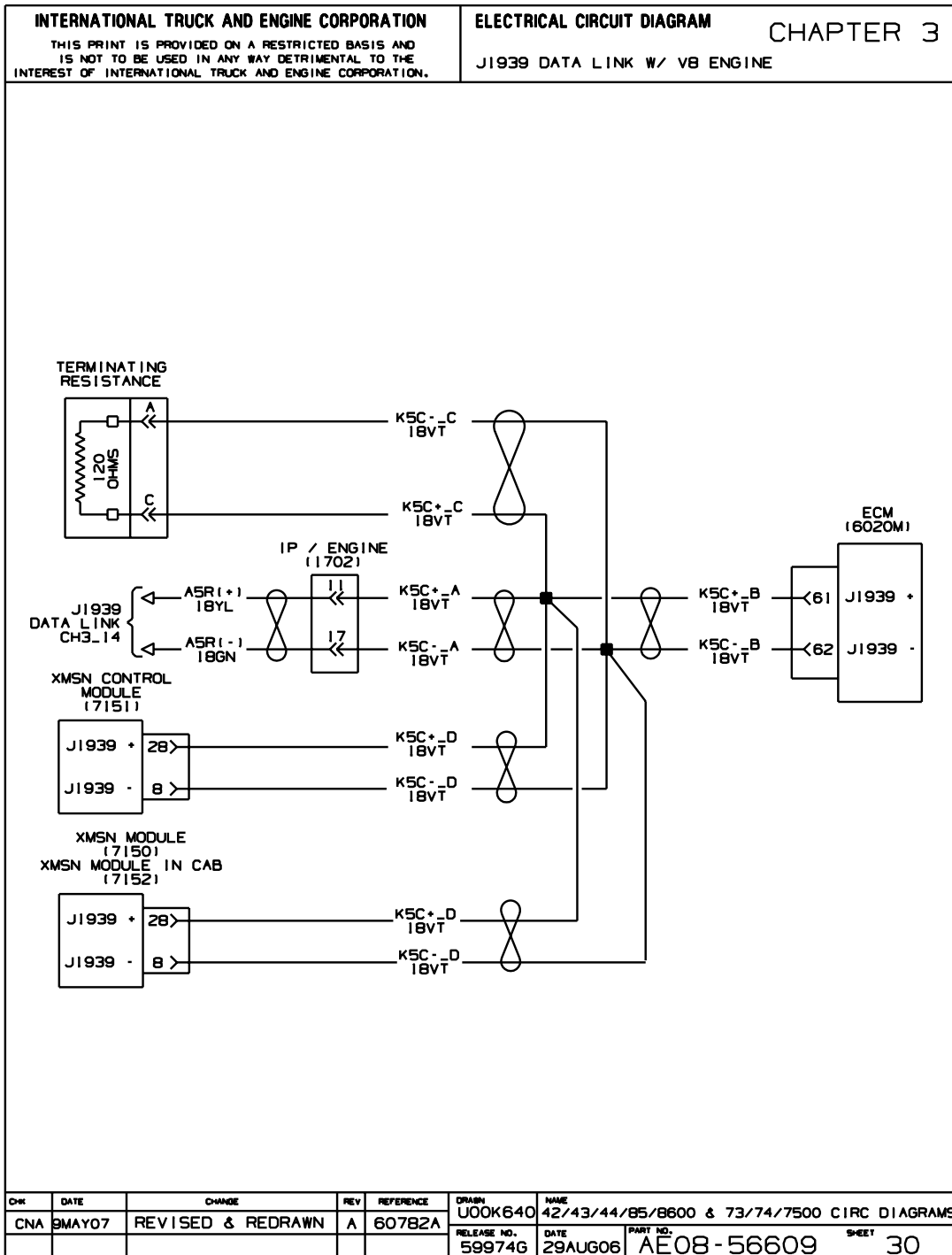


Figure 42 J1939 Data Link with V8 Engine

4. CAB ACCESSORIES (CHAPTER 4)

4.1. CIGAR LIGHTER AND POWER FEED, P. 1

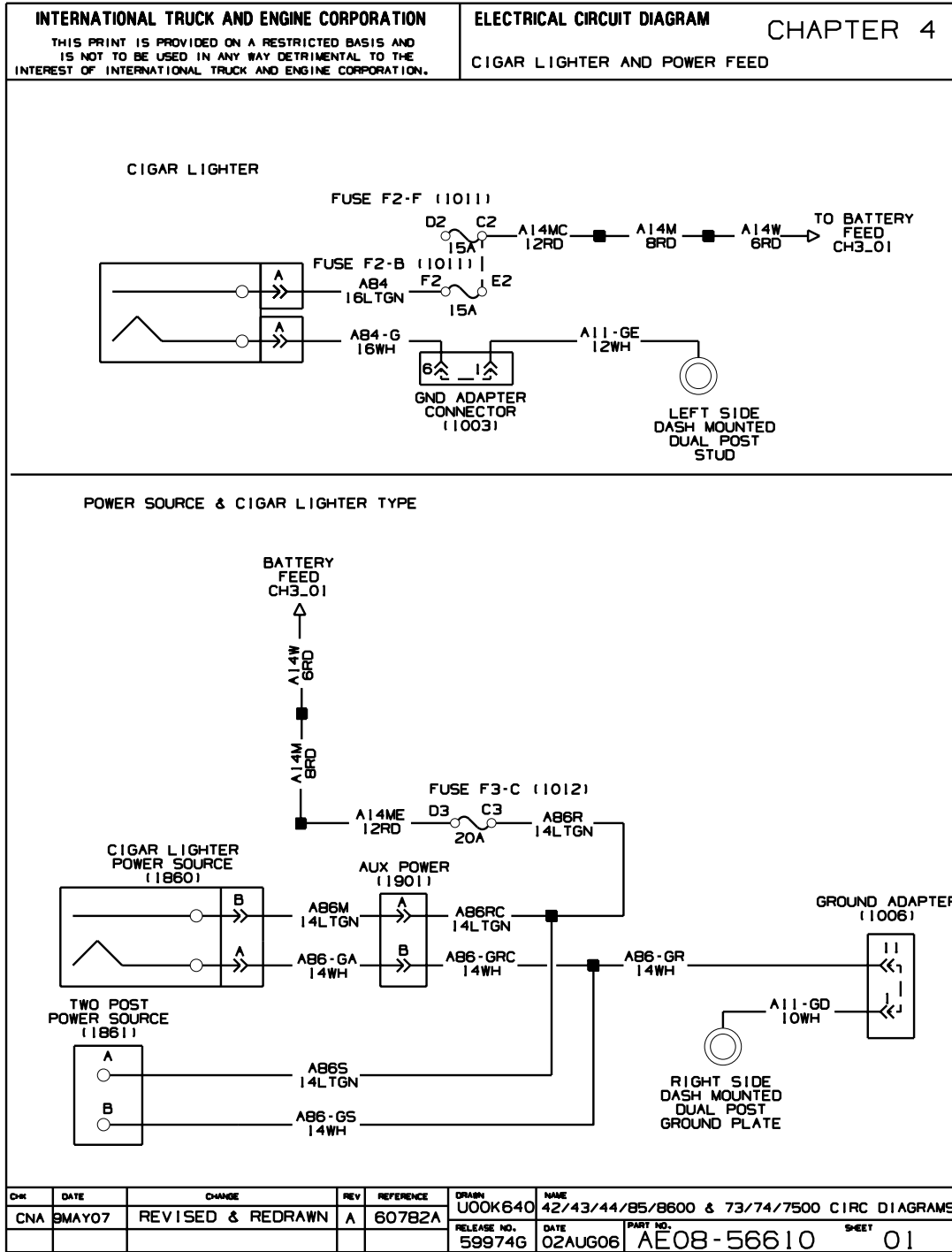


Figure 43 Cigar Lighter and Power Feed

4.2. CIGAR LIGHTER AND POWER FEED, P. 2

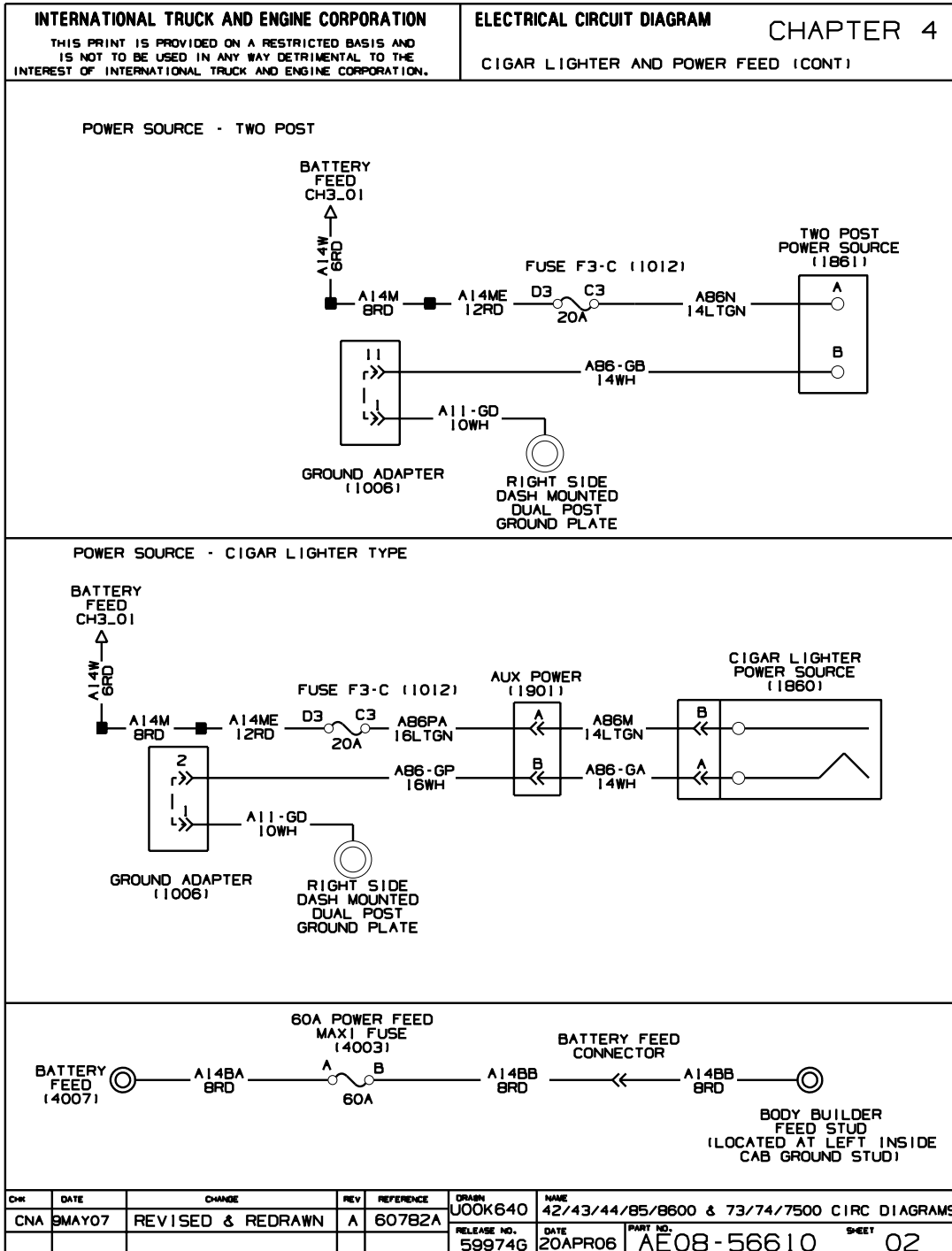


Figure 44 Cigar Lighter and Power Feed

4.3. CB POWER RADIO, P. 3

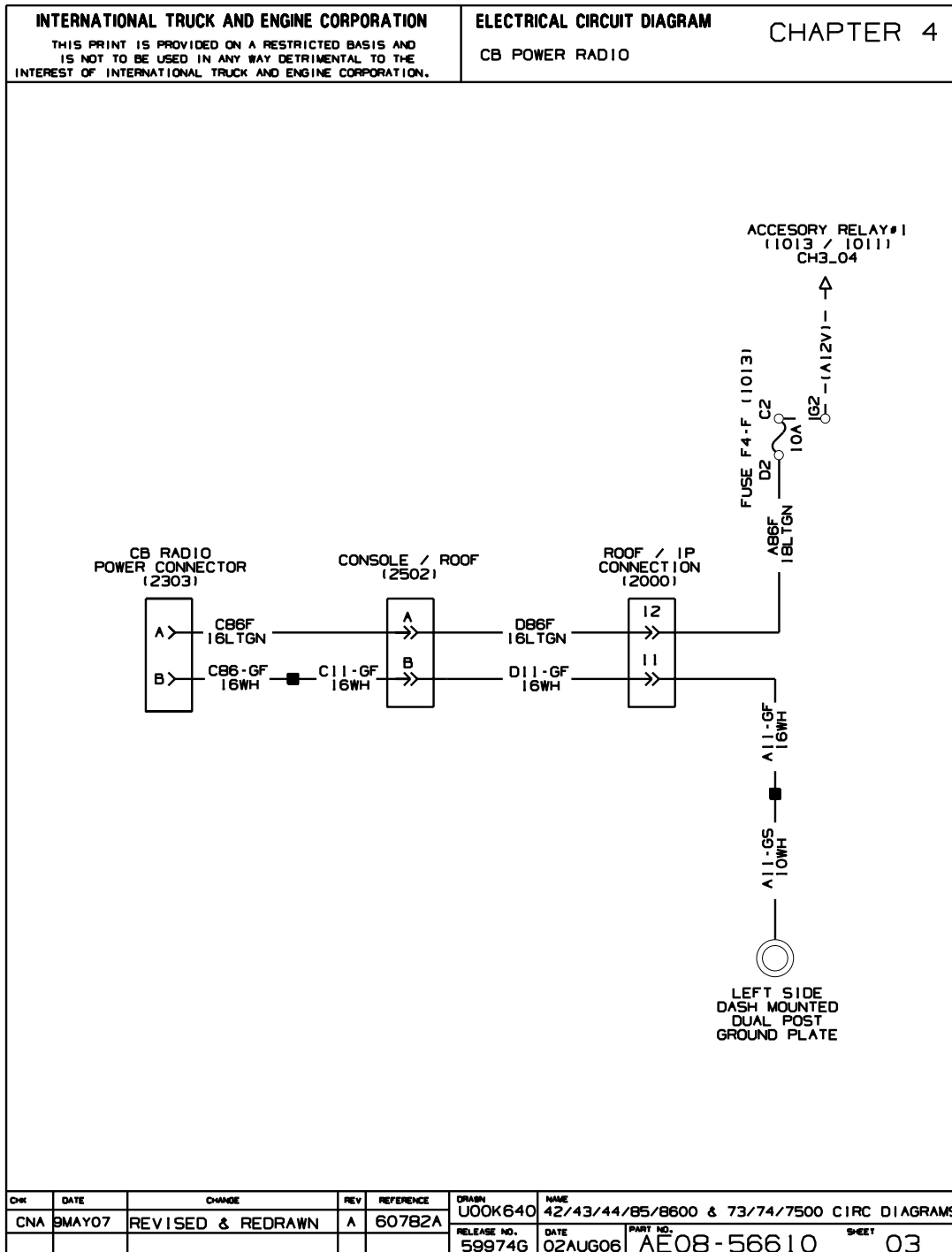


Figure 45 CB Power Radio

4.4. COMPASS AND TEMPERATURE DISPLAY, P. 4

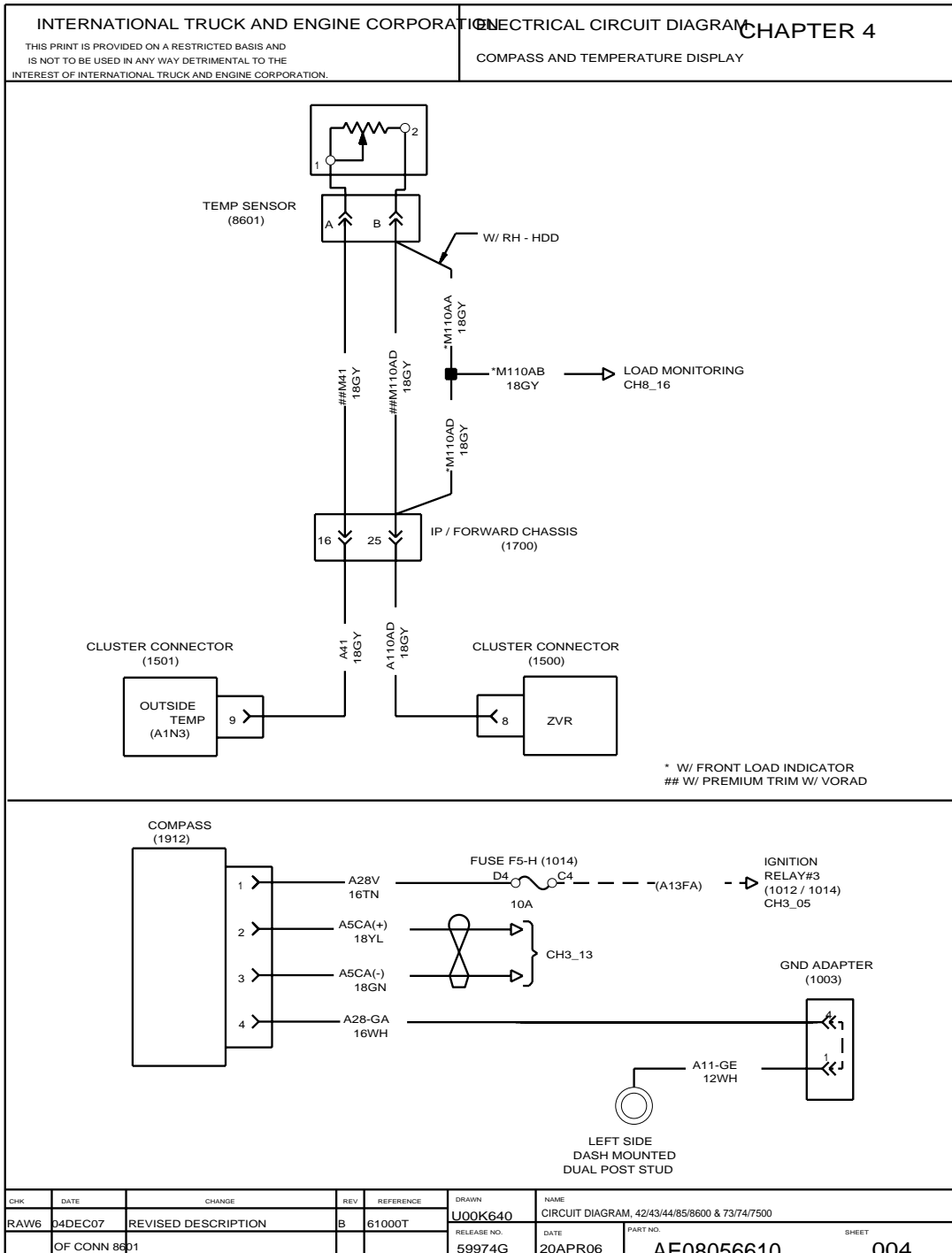


Figure 46 Compass and Temperature Display

4.5. FRONT DOOR WINDOWS AND LOCKS (POWER), P. 5

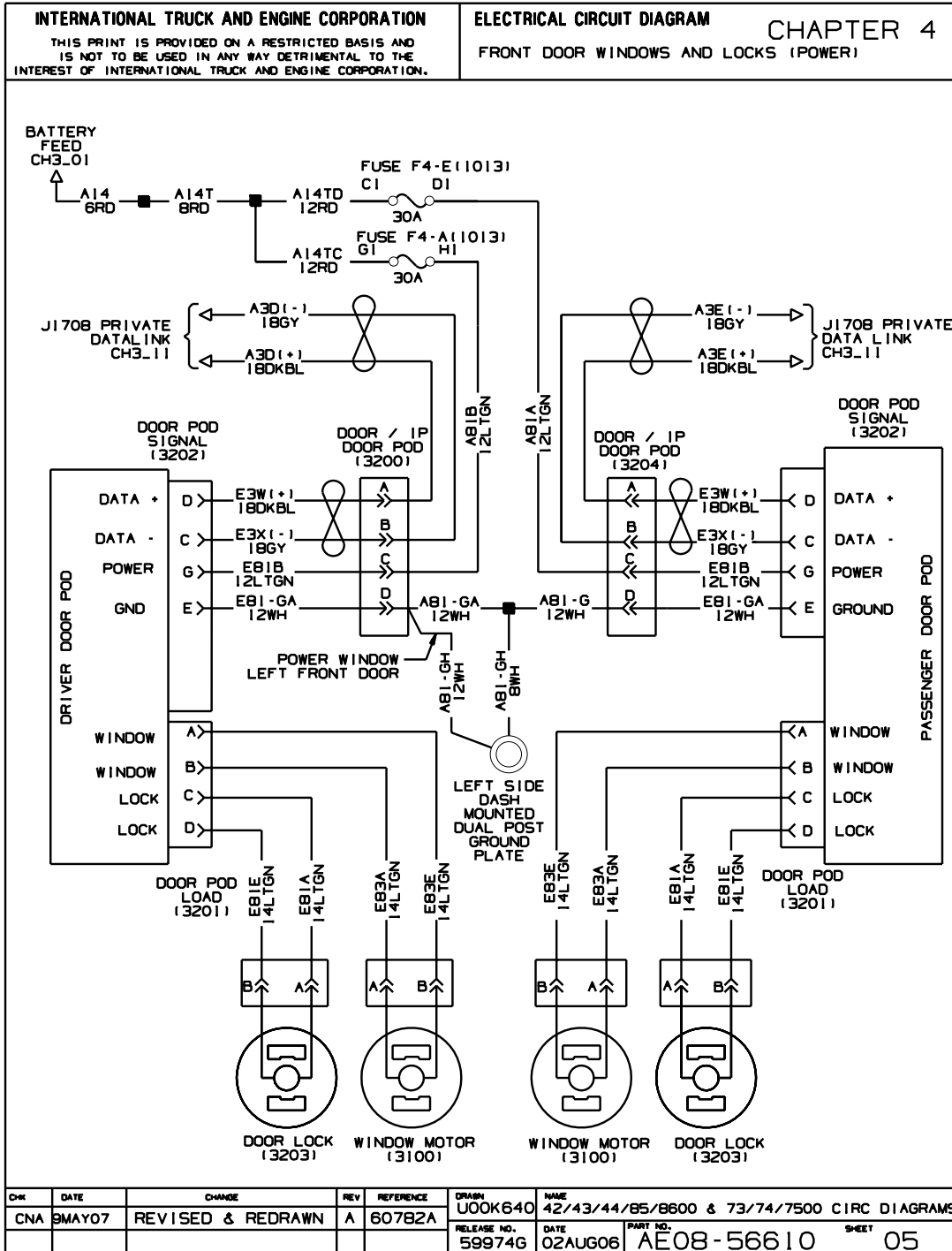


Figure 47 Front Door Windows and Locks (Power)

4.6. FRONT DOOR WINDOWS AND LOCKS (POWER) FOR CREW, P. 6

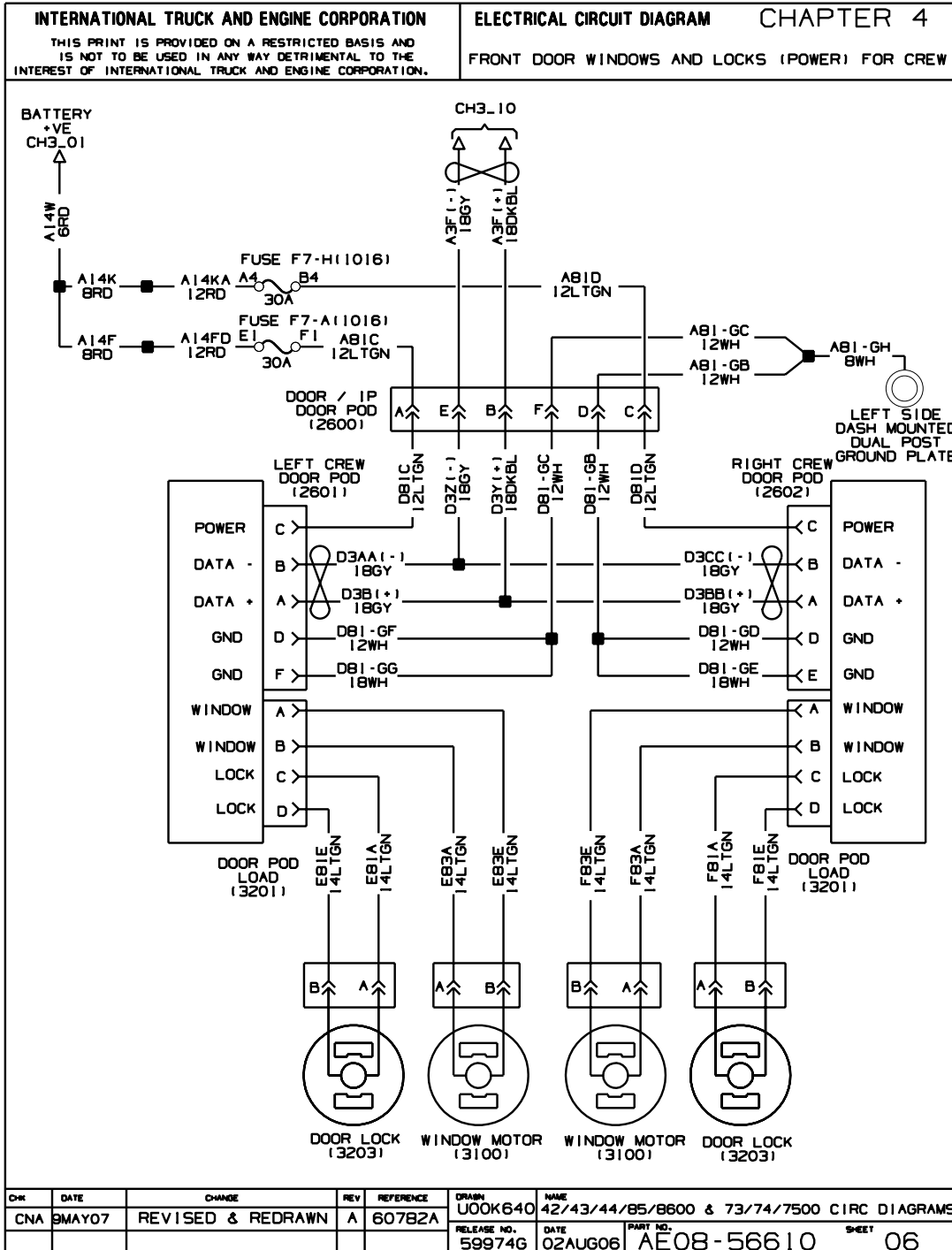


Figure 48 Front Door Windows and Locks (Power) for Crew

4.7. HORN, ELECTRIC AND AIR, P. 7

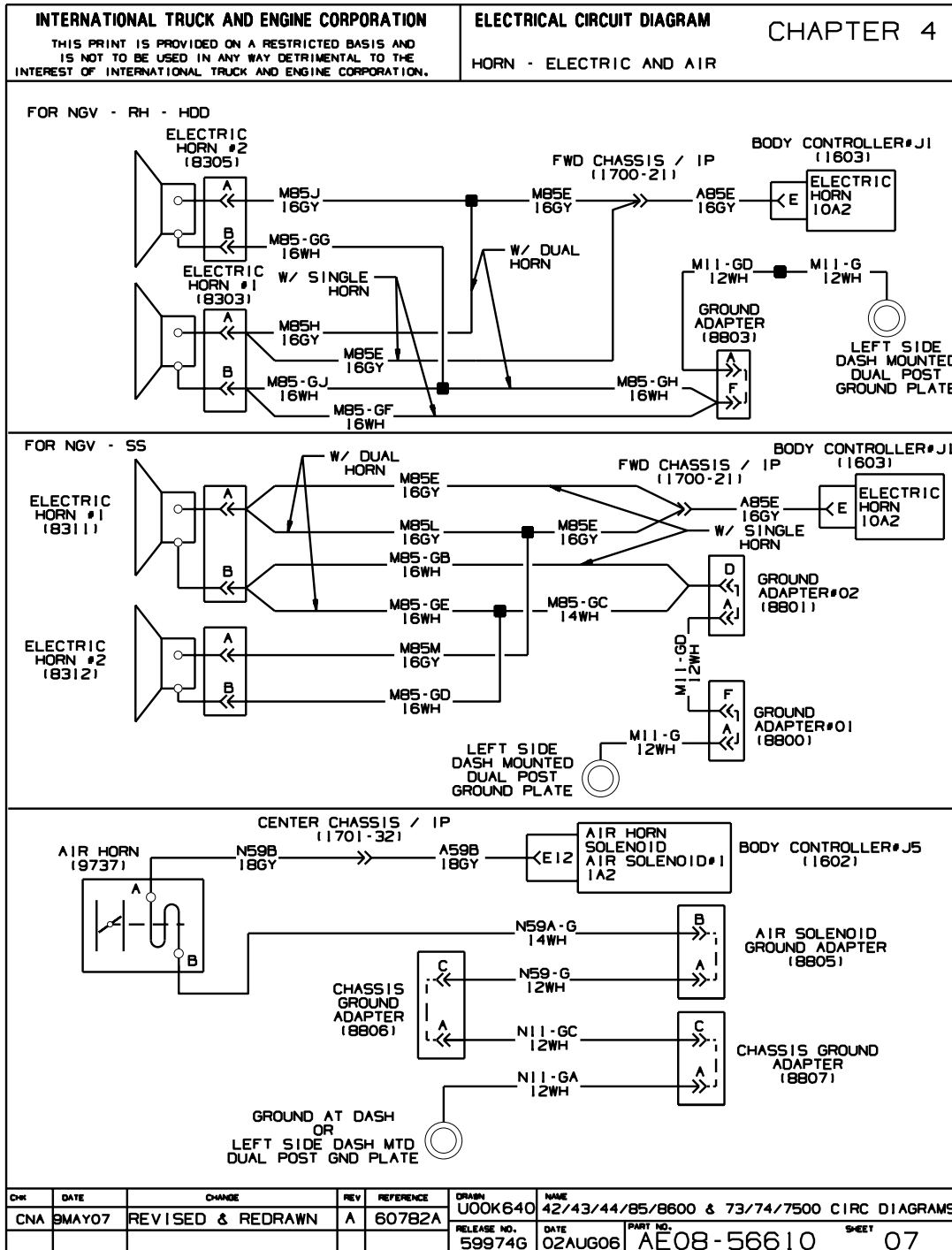


Figure 49 Horn, Electric and Air

4.8. HORN, ELECTRIC AND AIR, P. 8

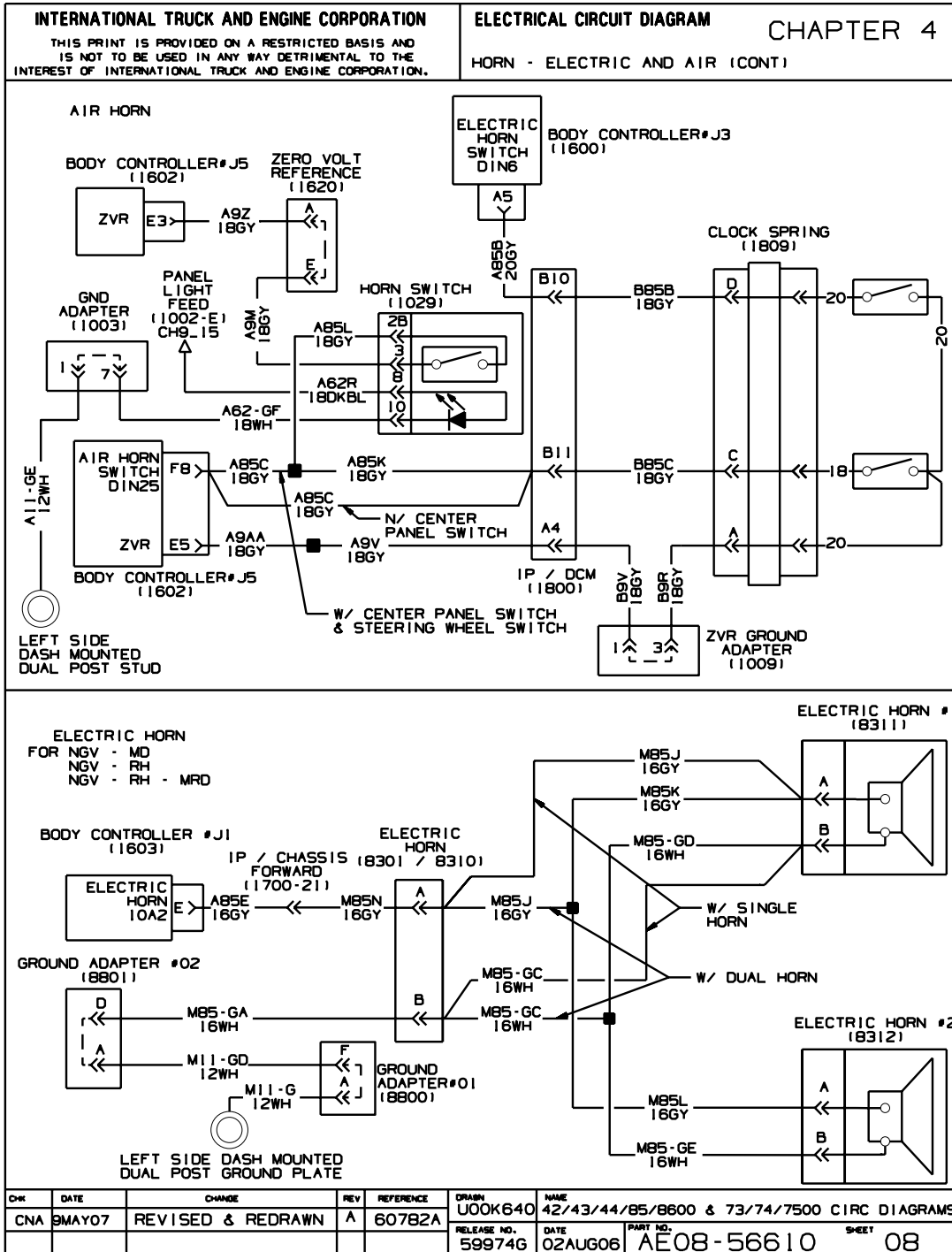


Figure 50 Horn, Electric and Air

4.9. MIRRORS (HEATED, LIGHTED AND POWER), P. 9

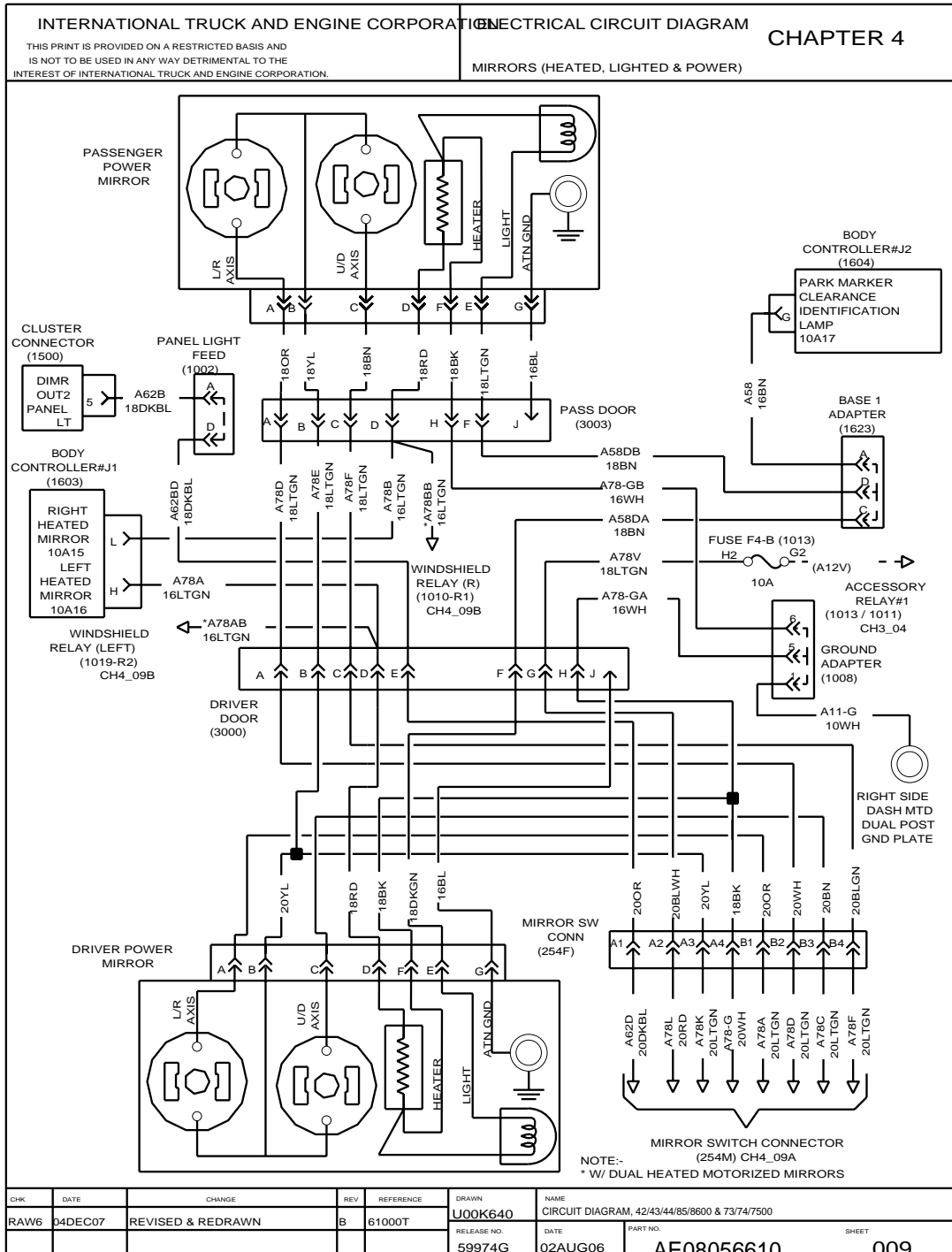


Figure 51 Mirrors (Heated, Lighted and Power)

4.10. MIRRORS (HEATED, LIGHTED AND POWER), P. 9A

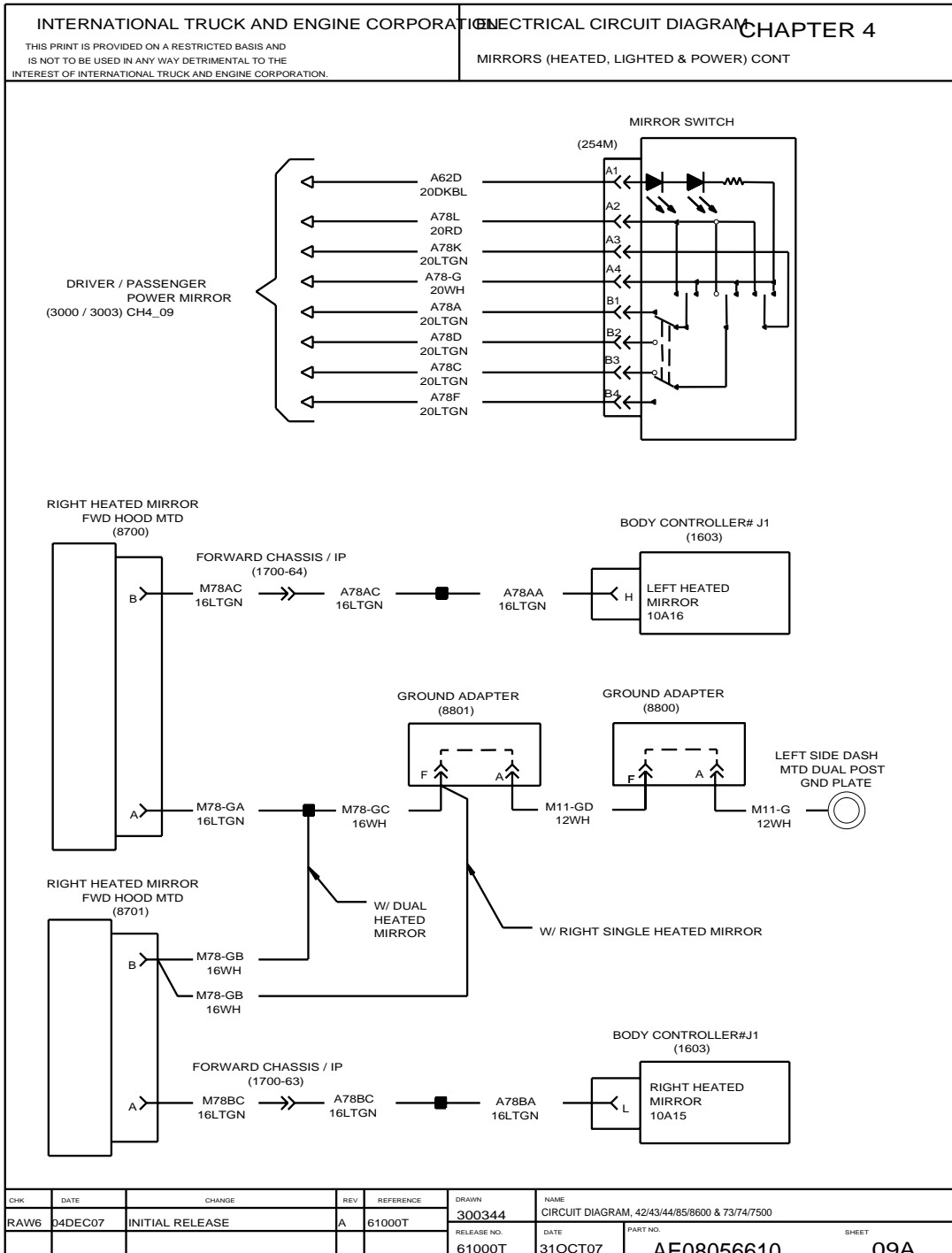


Figure 52 Mirrors (Heated, Lighted and Power)

4.11. DUAL HEATED MOTORIZED MIRRORS WITH HEATED WINDSHIELD, P. 9B

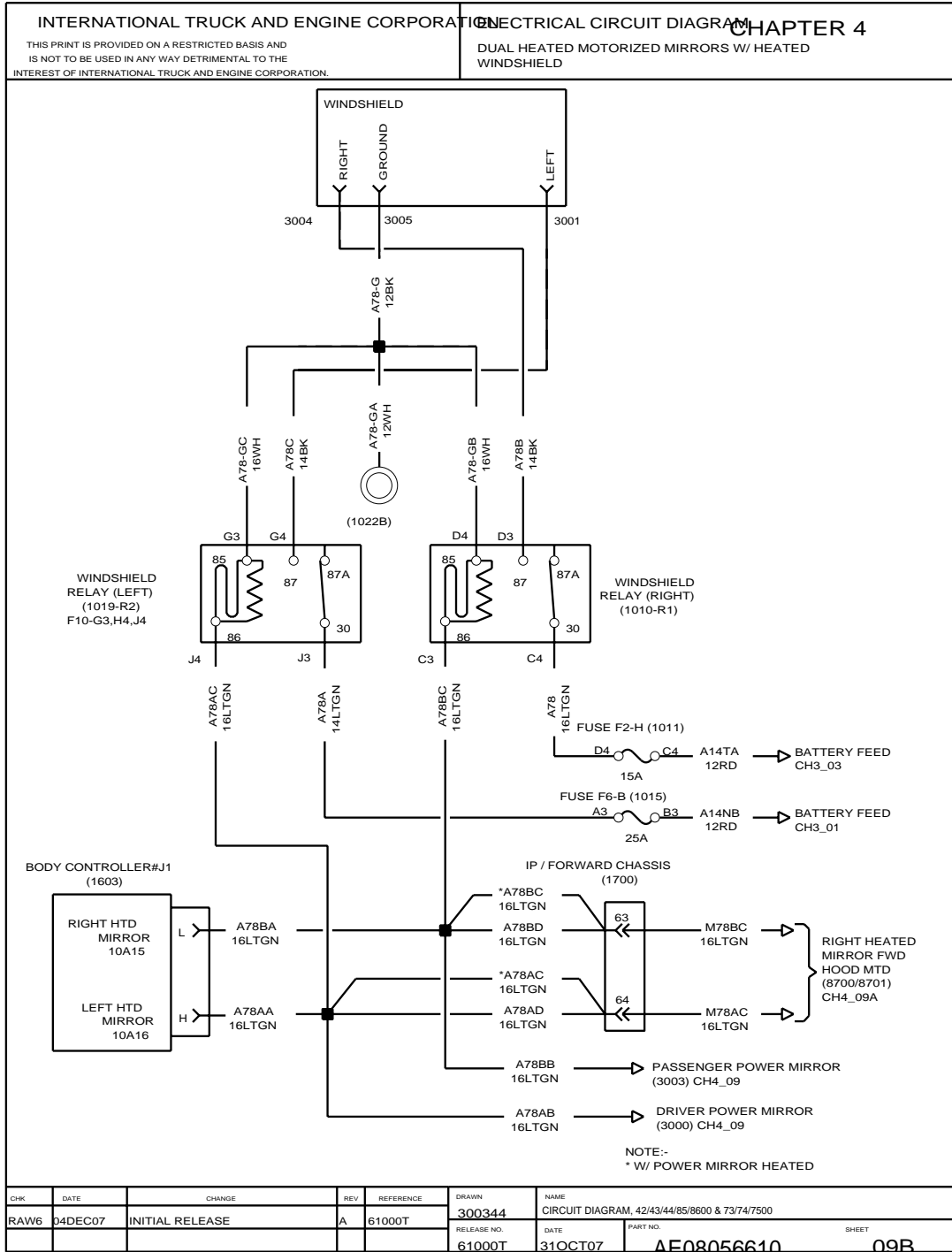


Figure 53 Dual Heated Motorized Mirrors with Heated Windshield

4.12. RADIO (ENTERTAINMENT), SPEAKERS WITH 12 WAY CONN, P. 10

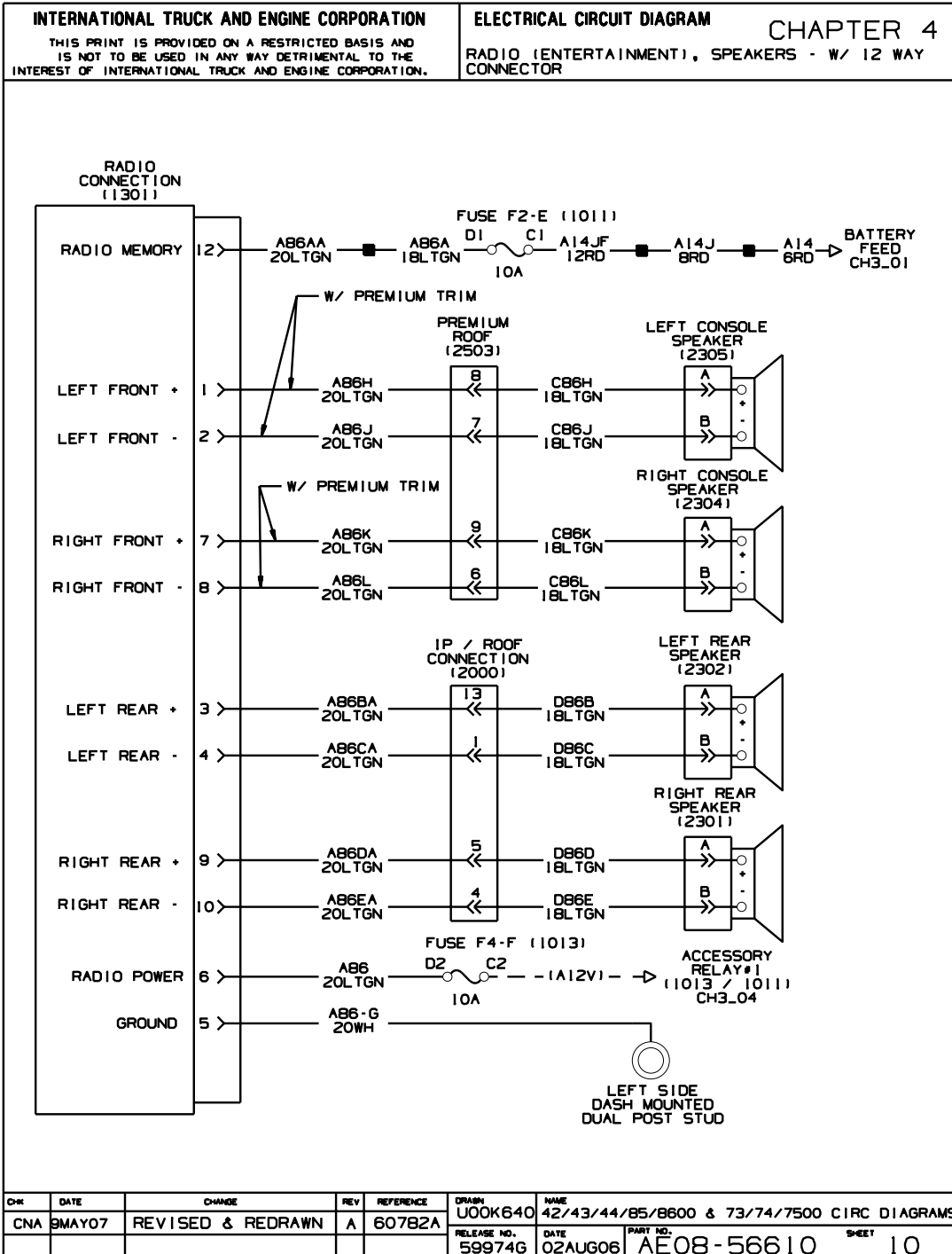


Figure 54 Radio (Entertainment), Speakers with 12 Way Conn

4.13. RADIO (ENTERTAINMENT), SPEAKERS WITH 16 WAY CONN, P. 11

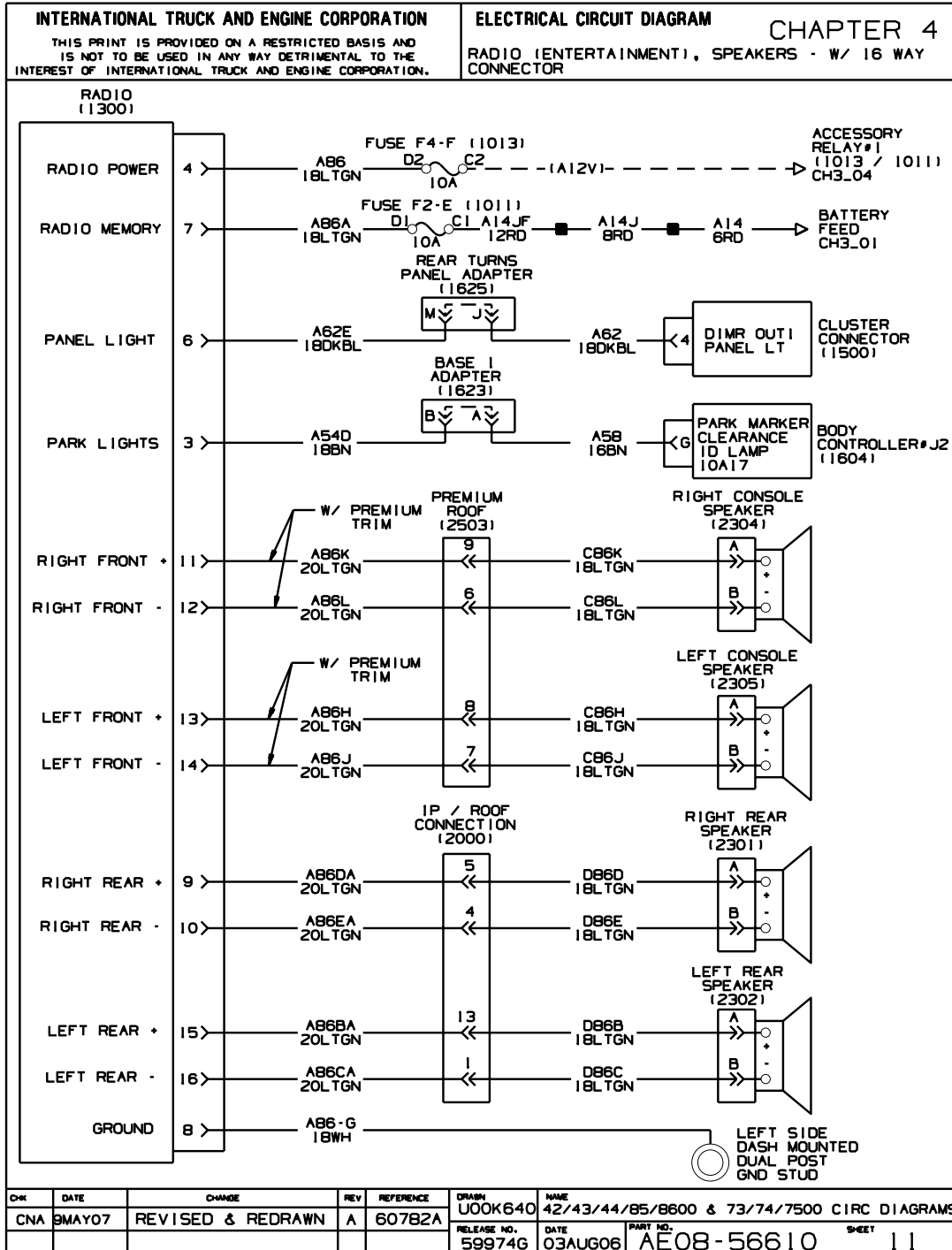


Figure 55 Radio (Entertainment), Speakers with 16 Way Connector

4.14. 2-WAY RADIO, P. 12

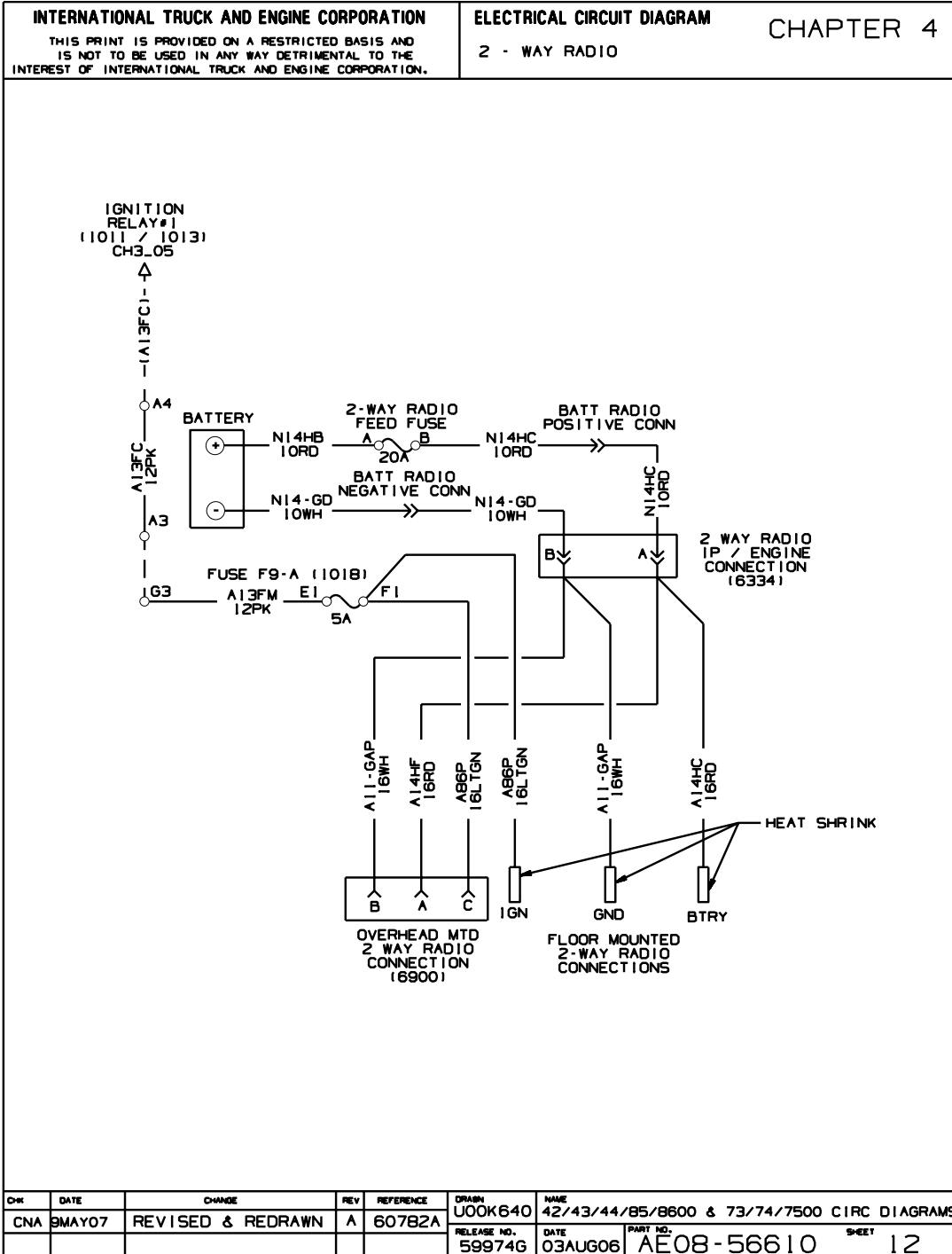


Figure 56 2-Way Radio

4.15. WINDSHIELD WIPER, P. 13

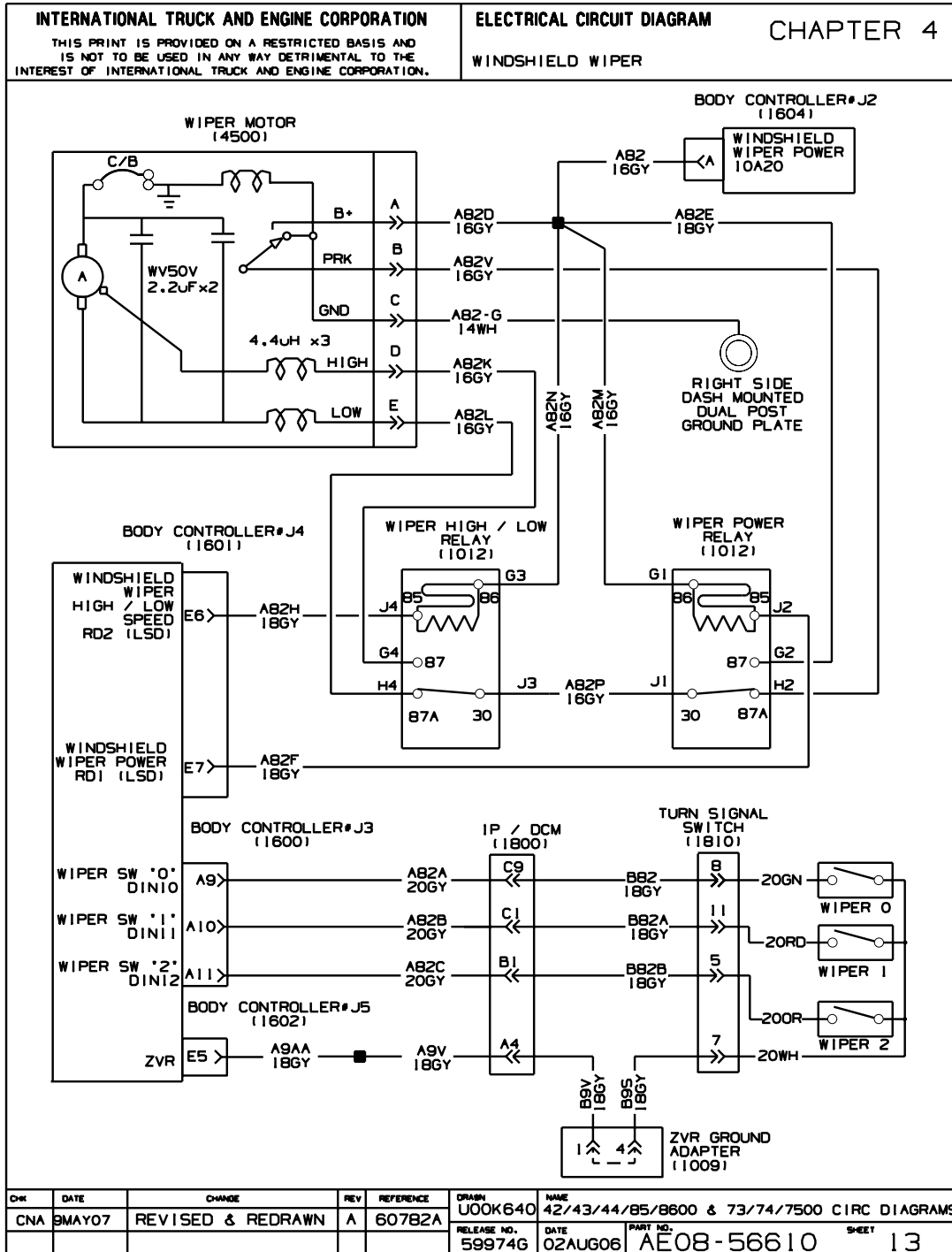


Figure 57 Windshield Wiper

4.16. WASHER PUMP, P. 14

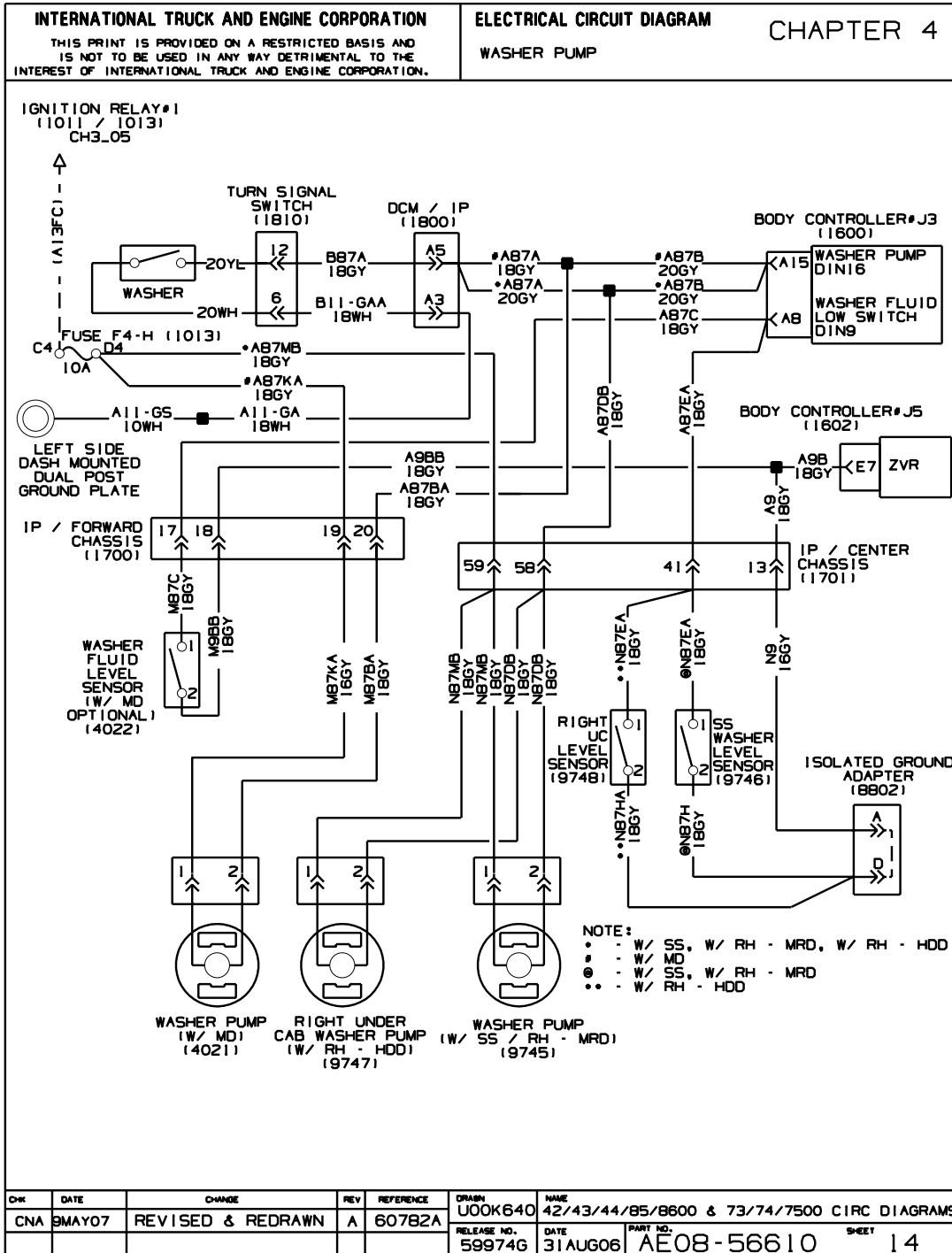


Figure 58 Washer Pump

4.17. SWITCH PACK OPTIONAL GAUGE PACK, P. 15

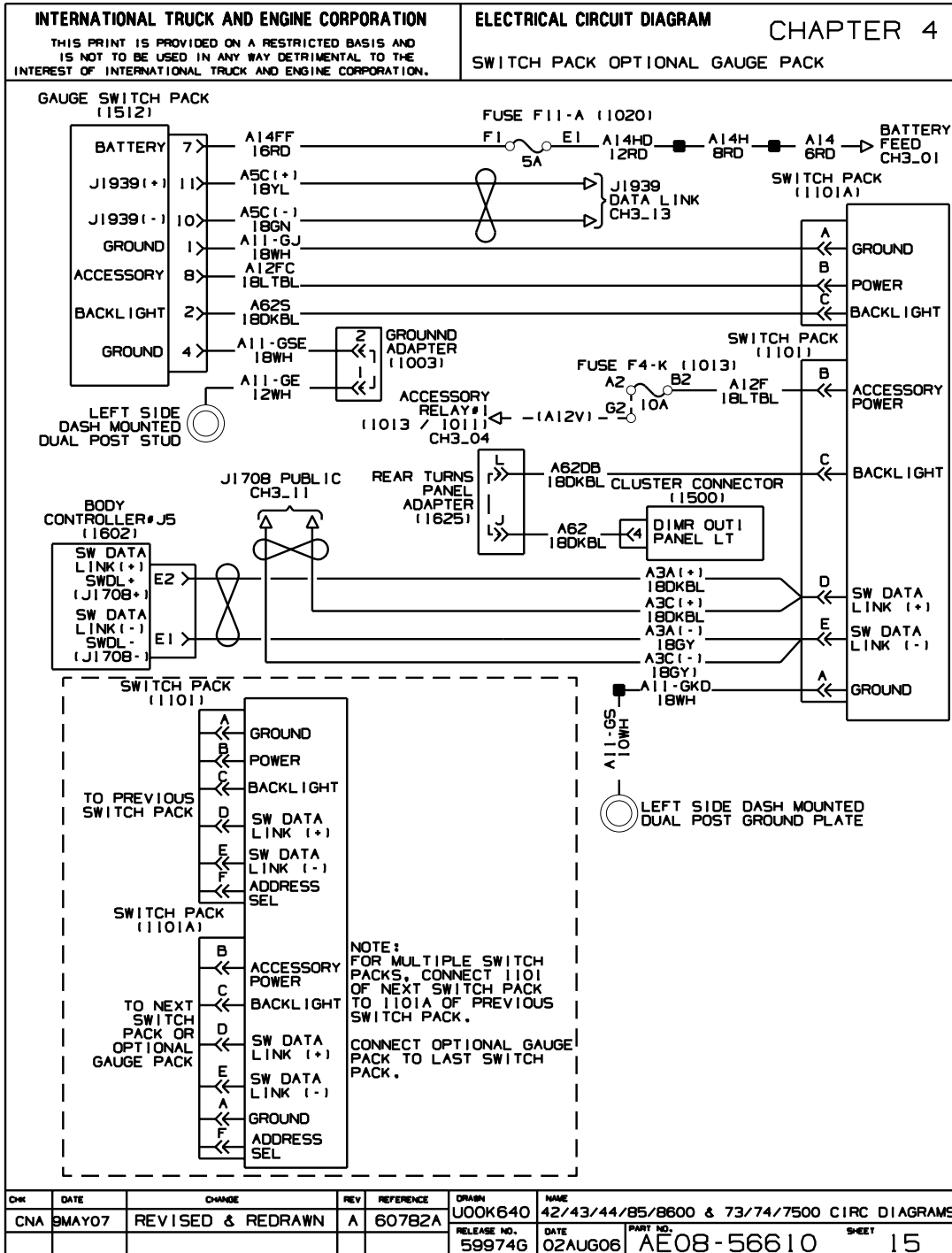


Figure 59 Switch Pack Optional Gauge Pack

4.18. ROOF AUXILIARY LOAD, P. 16

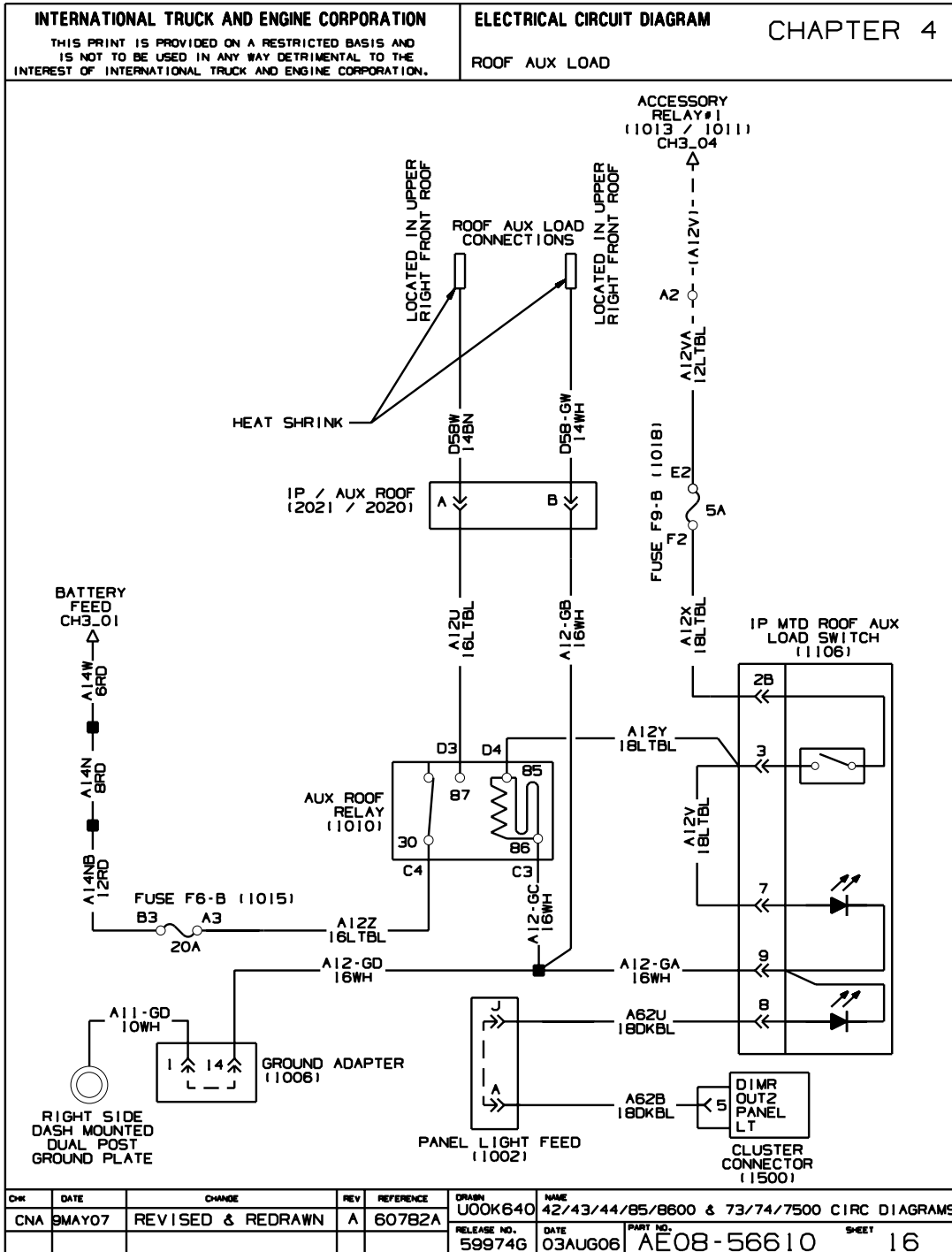


Figure 60 Roof Auxiliary Load

4.19. SATELLITE COMMUNICATION — QUALCOMM IMCT, P. 17

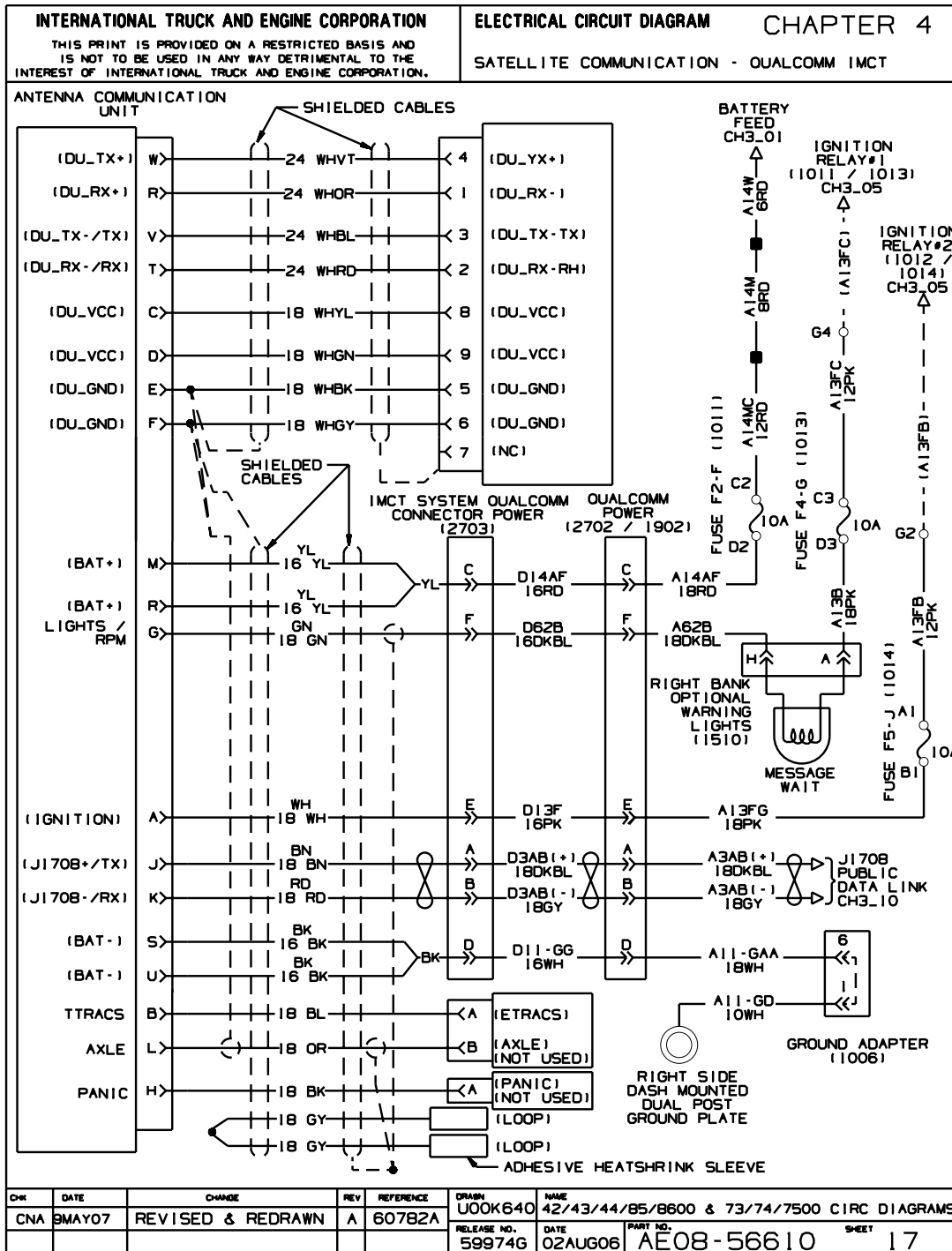


Figure 61 Satellite Communication — Qualcomm IMCT

4.20. SATELLITE COMMUNICATION — TRIPMASTER, P. 18

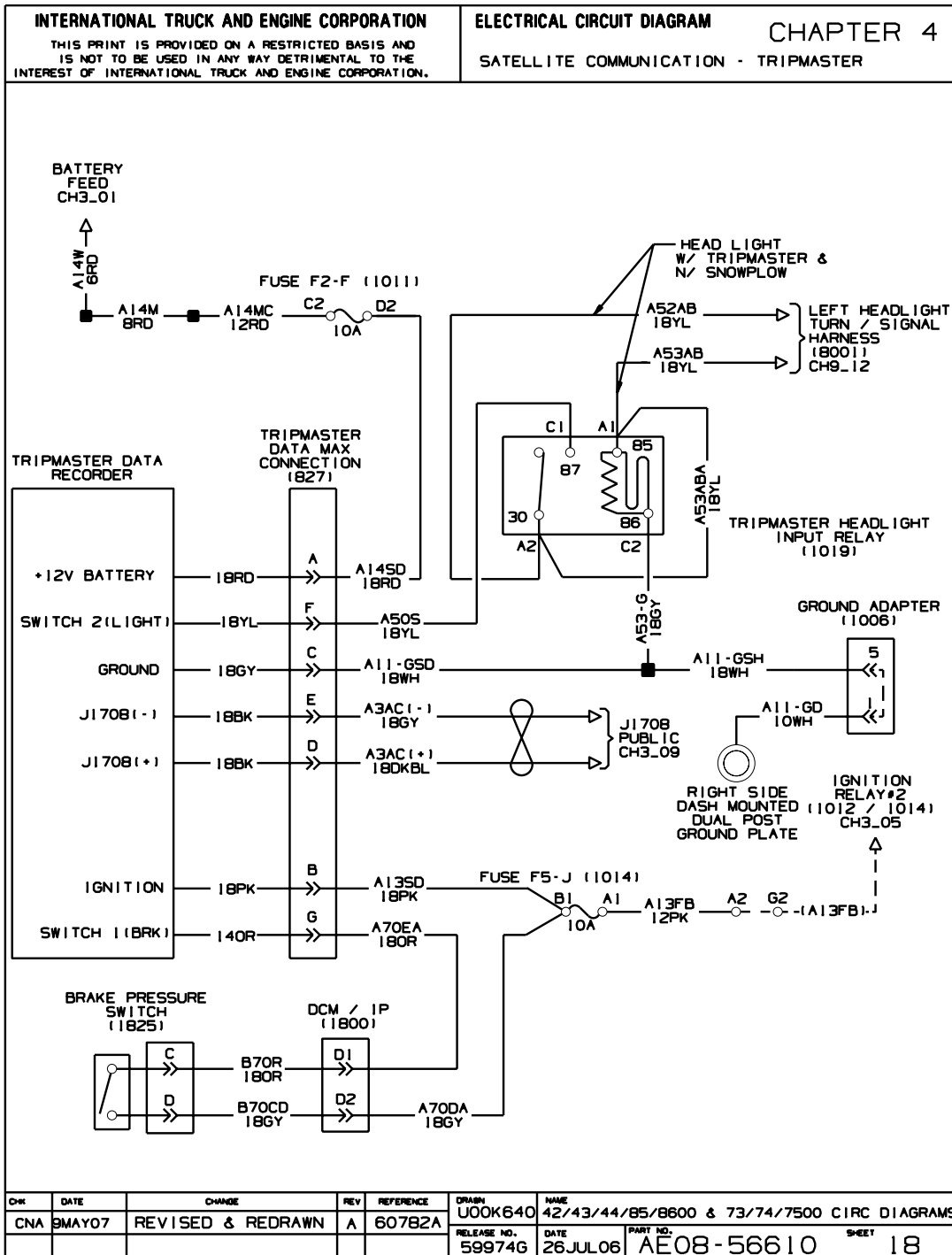


Figure 62 Satellite Communication — Tripmaster

4.21. COMPUTER PREWIRED — XATA SYSTEM, P. 19

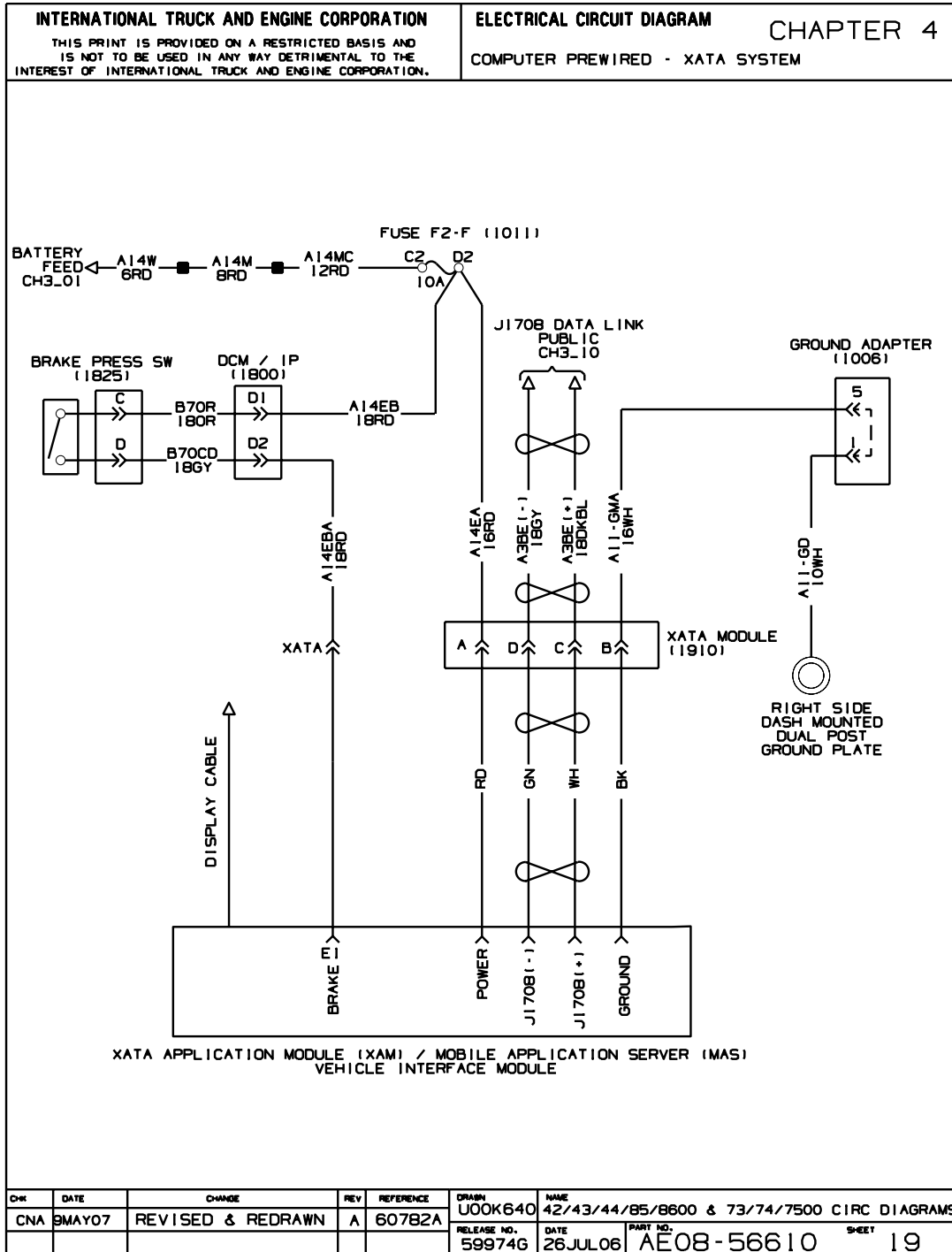


Figure 63 Computer Prewired — XATA System

4.22. CADEC GPS SYSTEM, P. 20

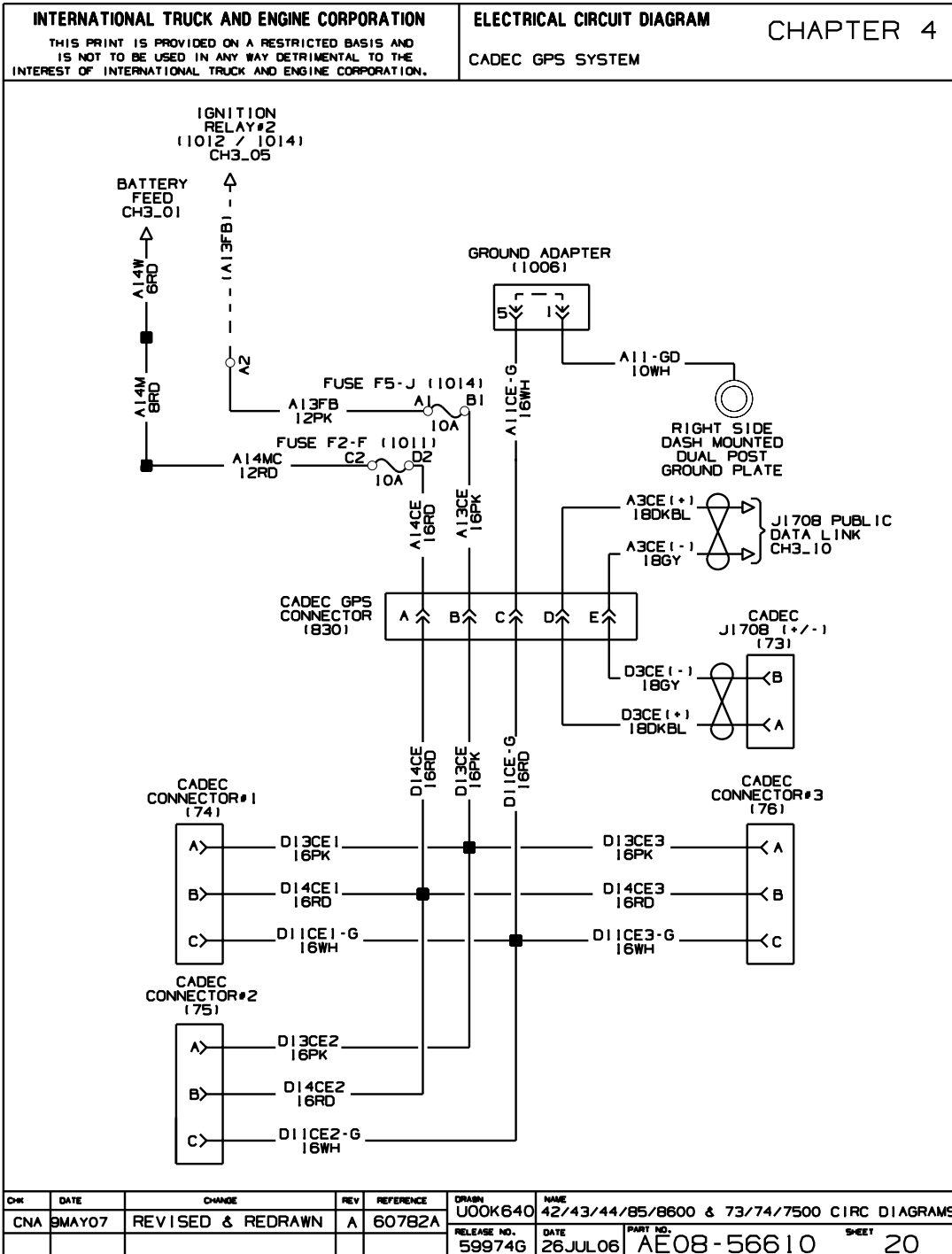


Figure 64 Cadec GPS System

4.23. SATELLITE COMMUNICATION — MOBILEMAX, P. 21

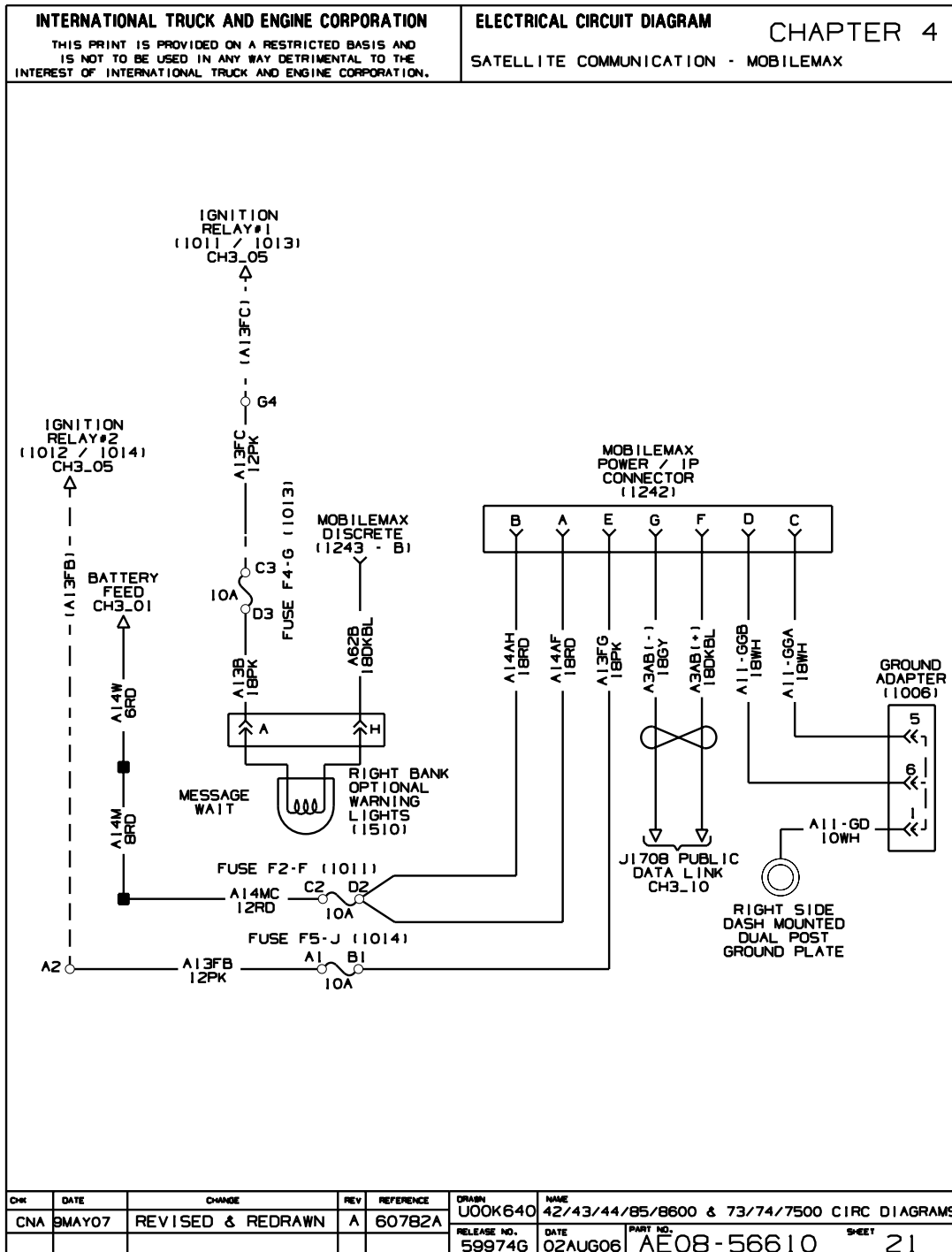


Figure 65 Satellite Communication — MobileMax

4.24. SELF CONTAINED AIR SEAT, P. 22

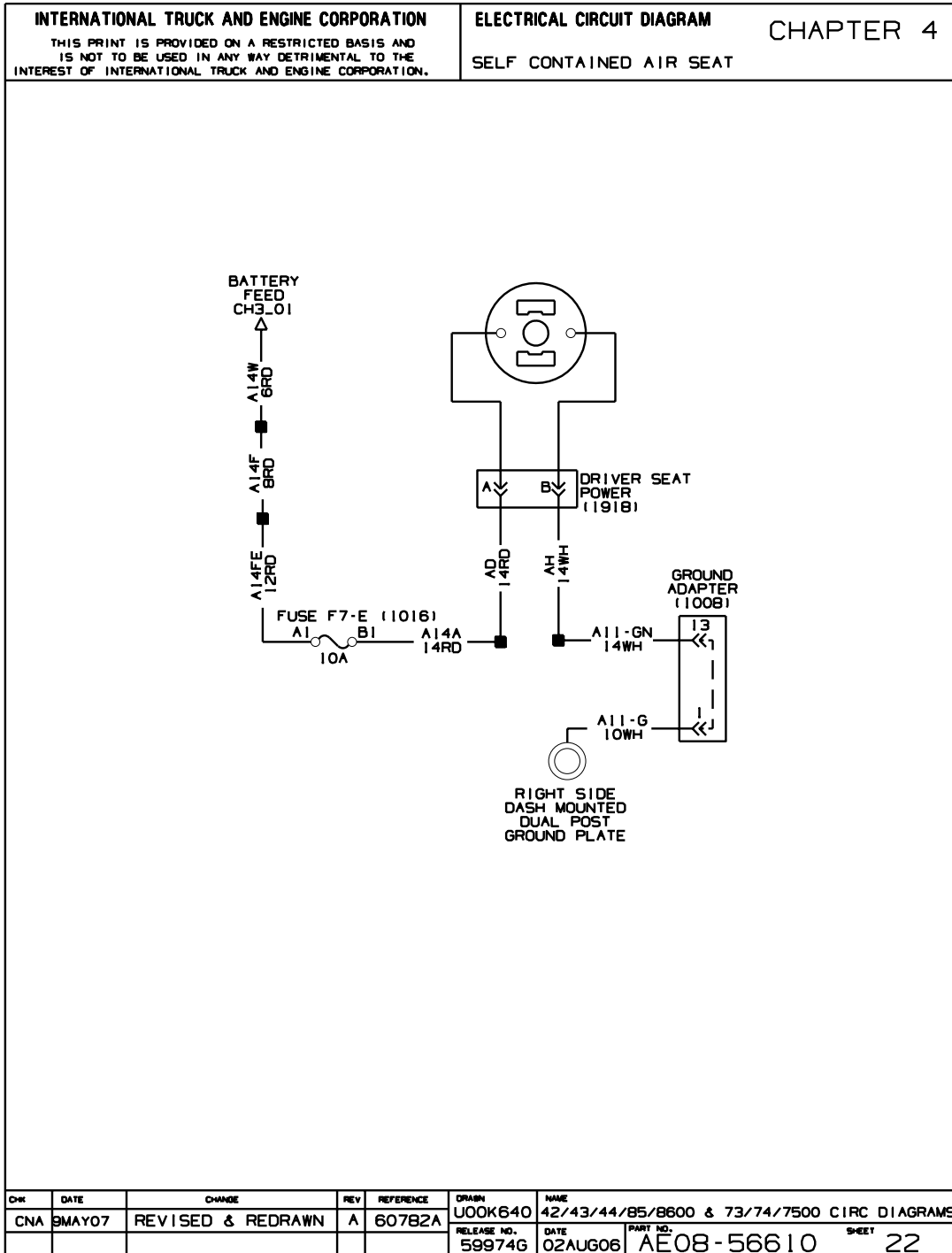


Figure 66 Self Contained Air Seat

4.25. HEATED SEATS, P. 23

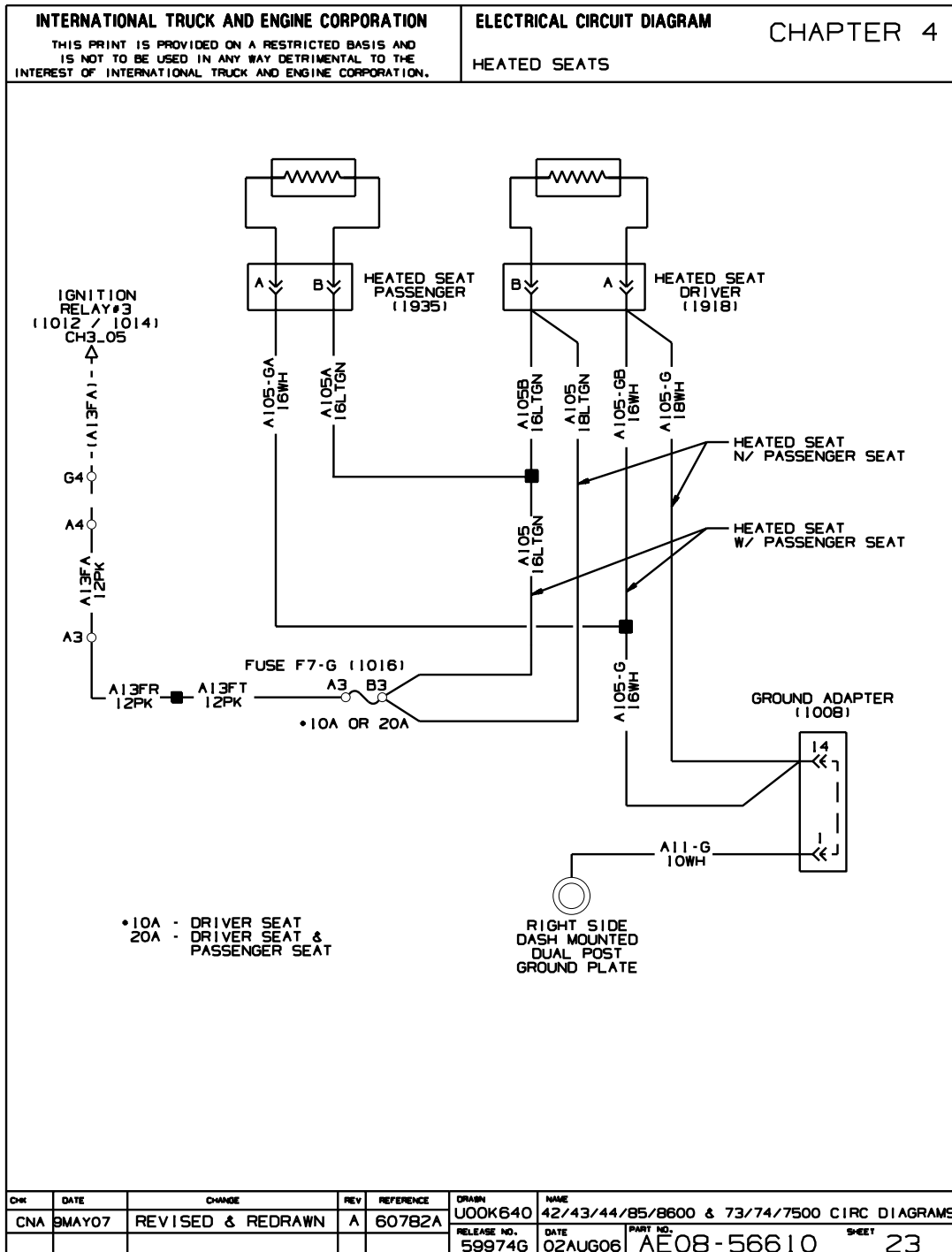


Figure 67 Heated Seats

4.26. TELEMATICS SYSTEM, P. 24

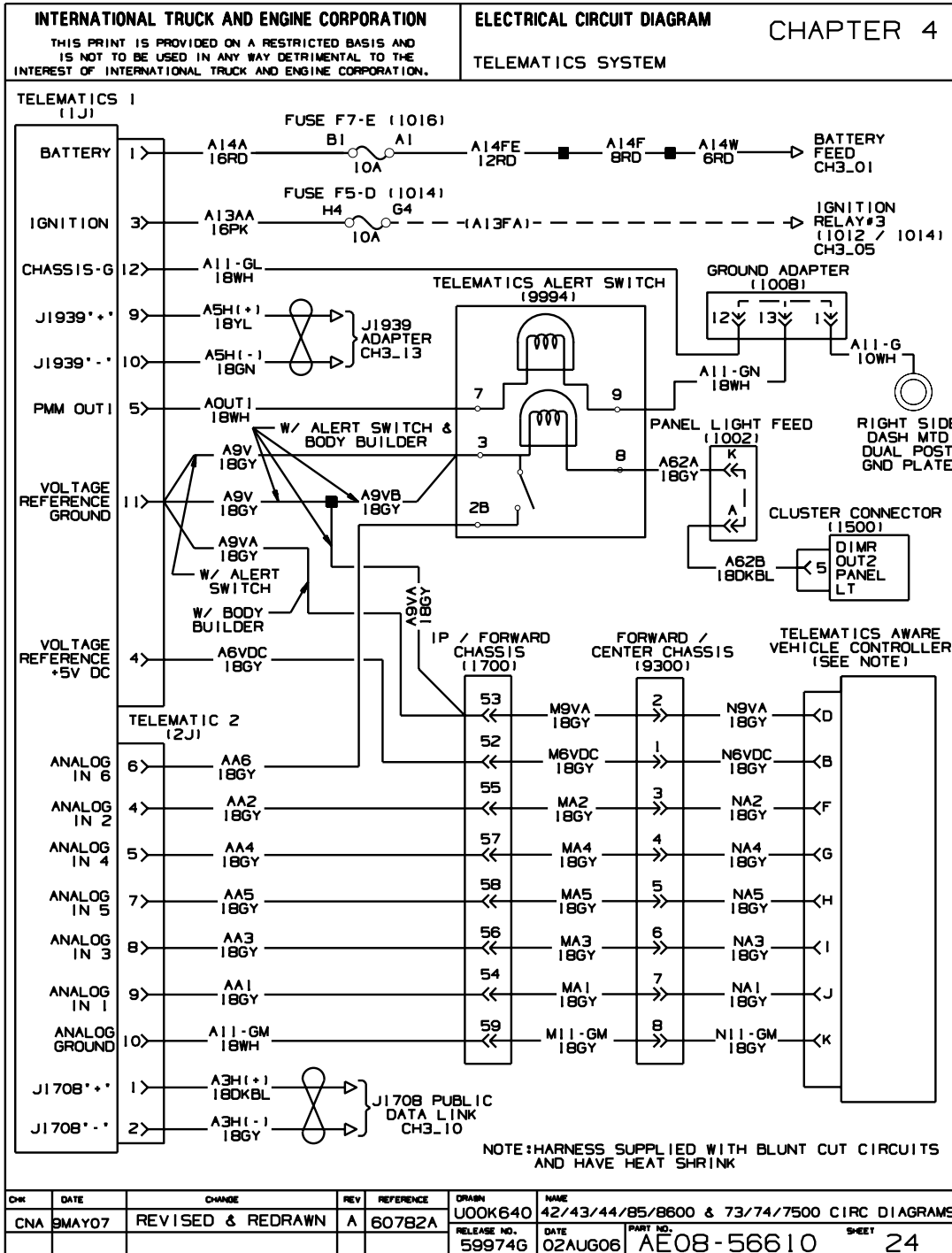


Figure 68 Telematics System

4.27. EATON VORAD COLLISION AVOIDANCE SYSTEM, P. 25

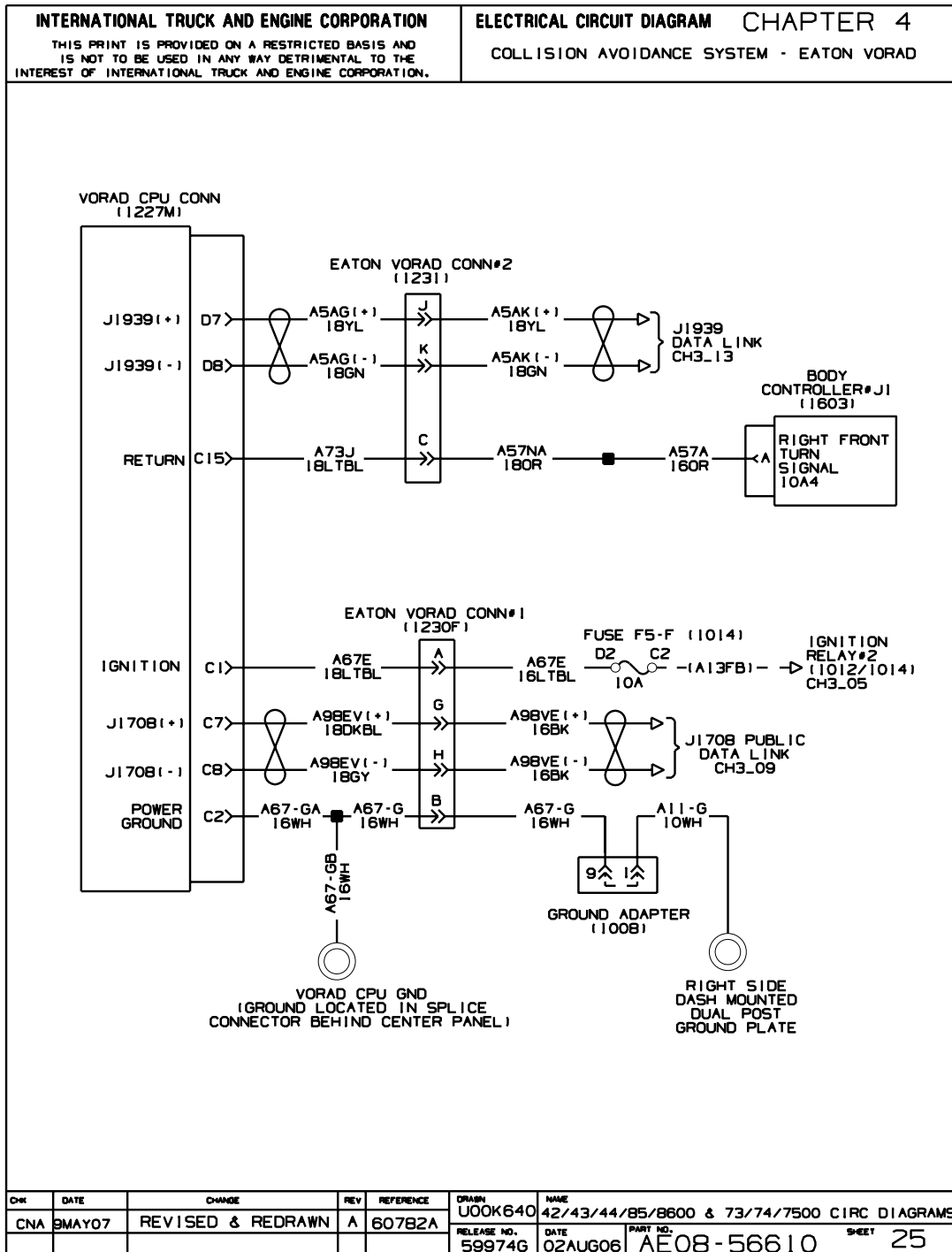


Figure 69 Eaton Vorad Collision Avoidance System

4.28. EATON VORAD COLLISION AVOIDANCE SYSTEM, P. 26

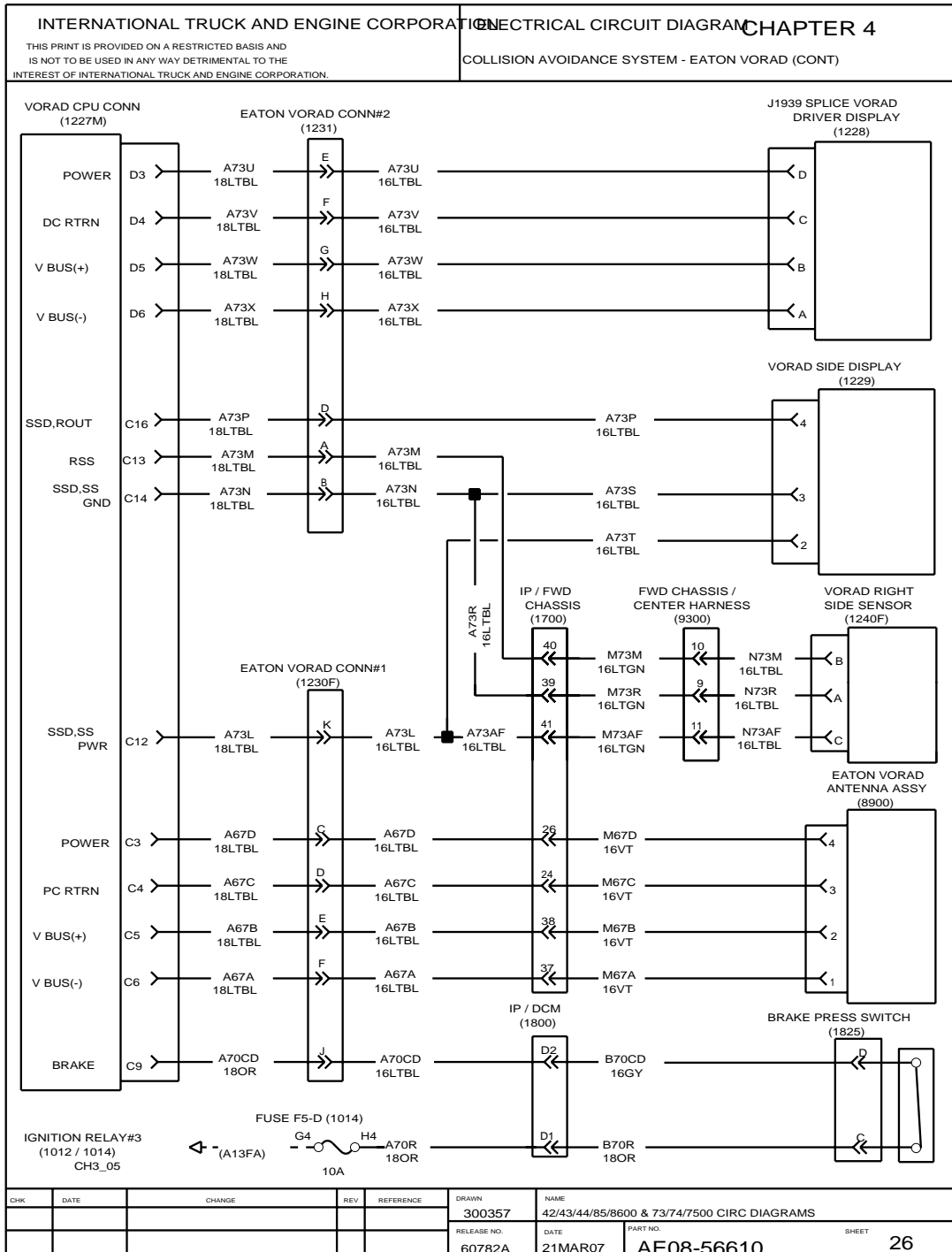


Figure 70 Eaton Vorad Collision Avoidance System

4.29. DRIVER DISPLAY, P. 27

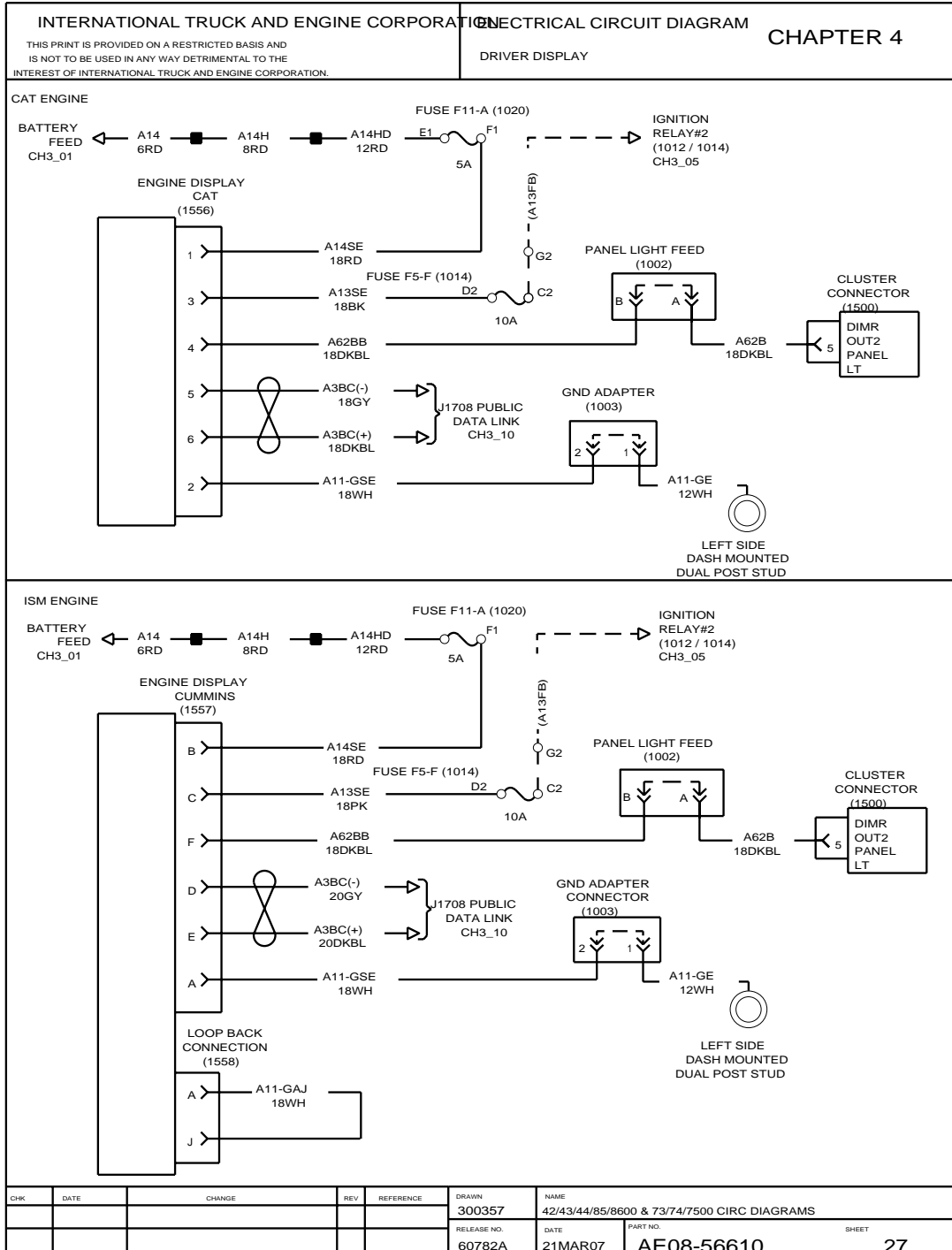


Figure 71 Driver Display

4.30. BACK-UP CAMERA, P. 28

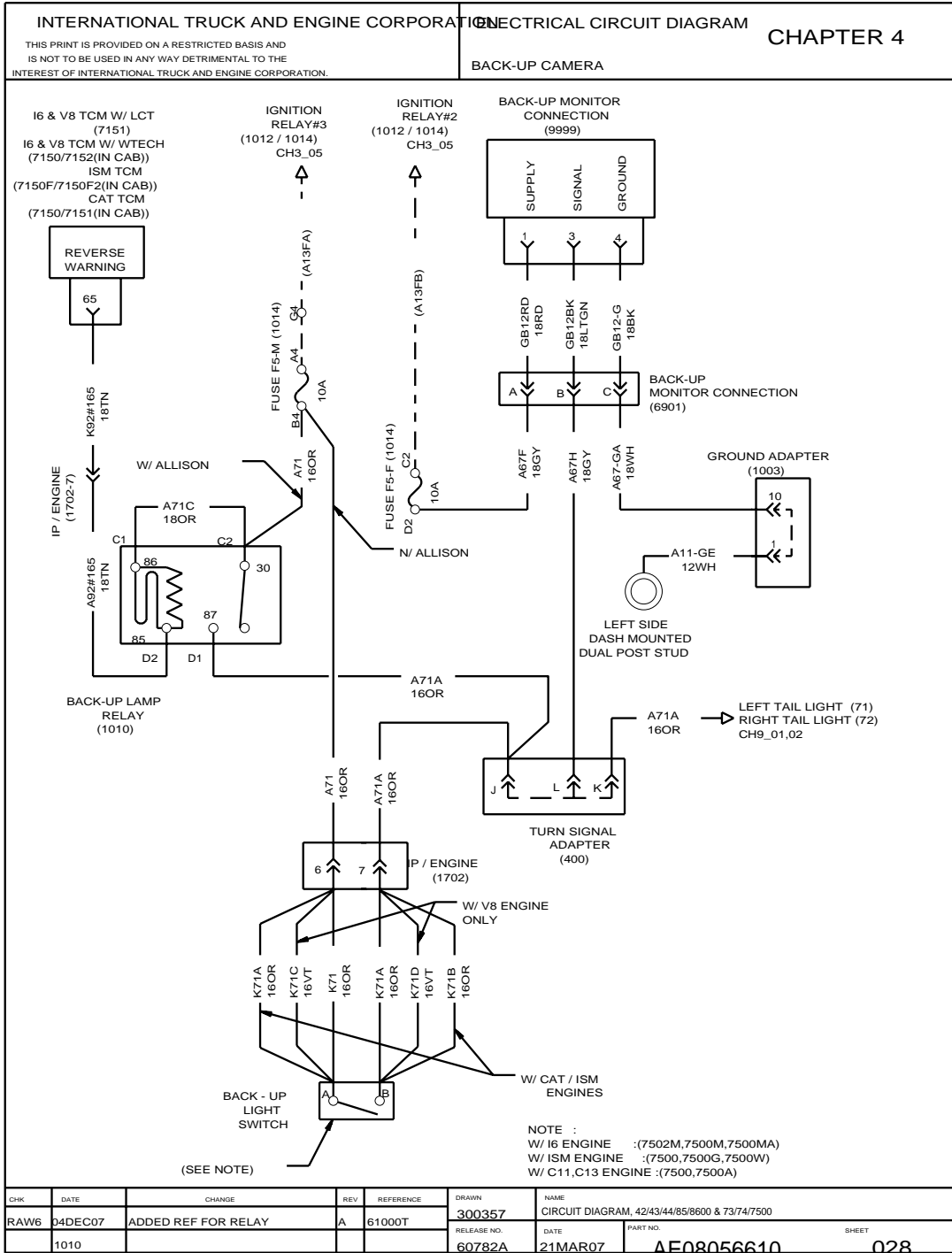


Figure 72 Back-Up Camera

4.31. SATELLITE COMMUNICATION — QUALCOMM MCT, P. 29

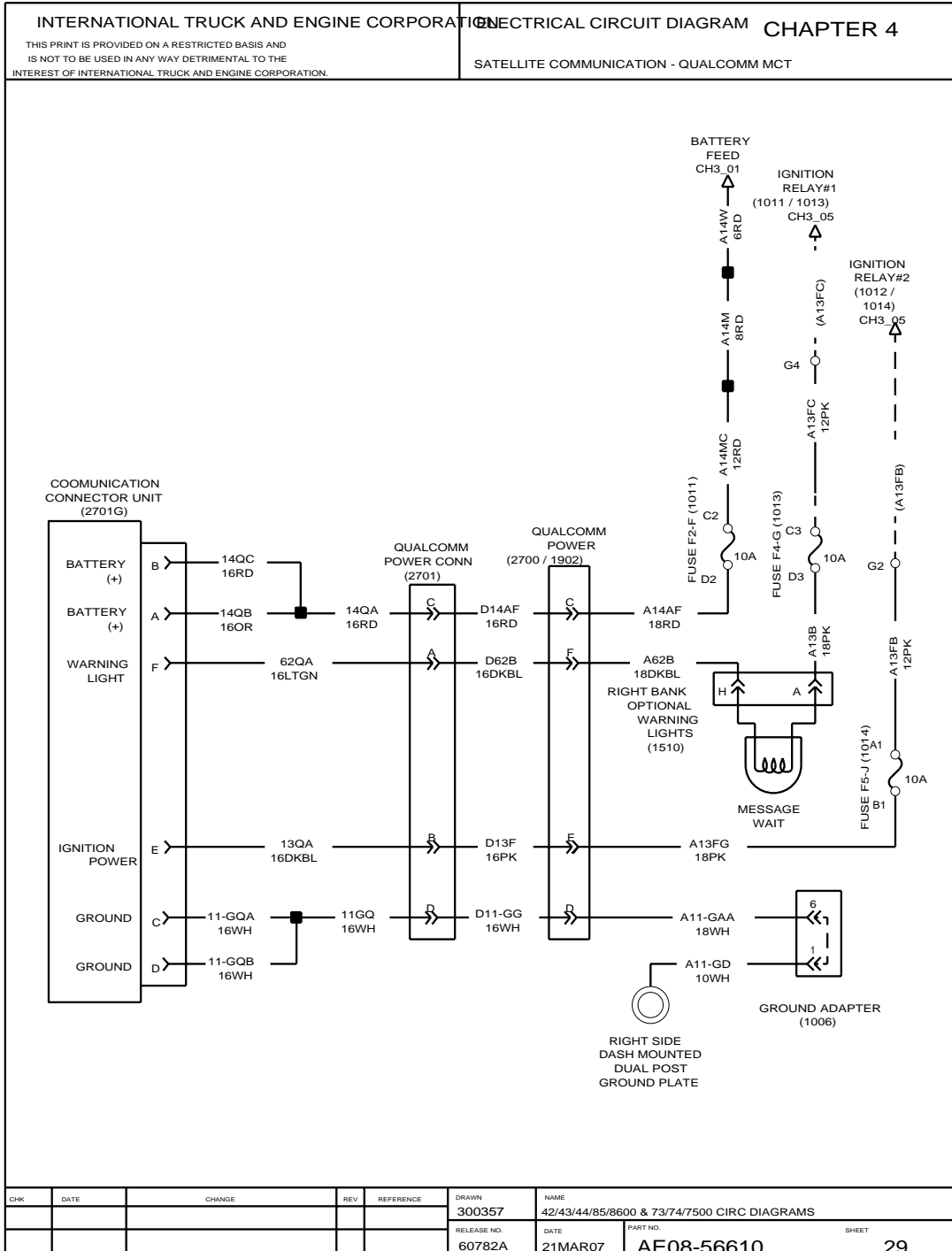


Figure 73 Satellite Communication — Qualcomm MCT

**4.32. SATELLITE COMMUNICATION — QUALCOMM MCT WITH MVPC KEYBOARD,
 P. 30**

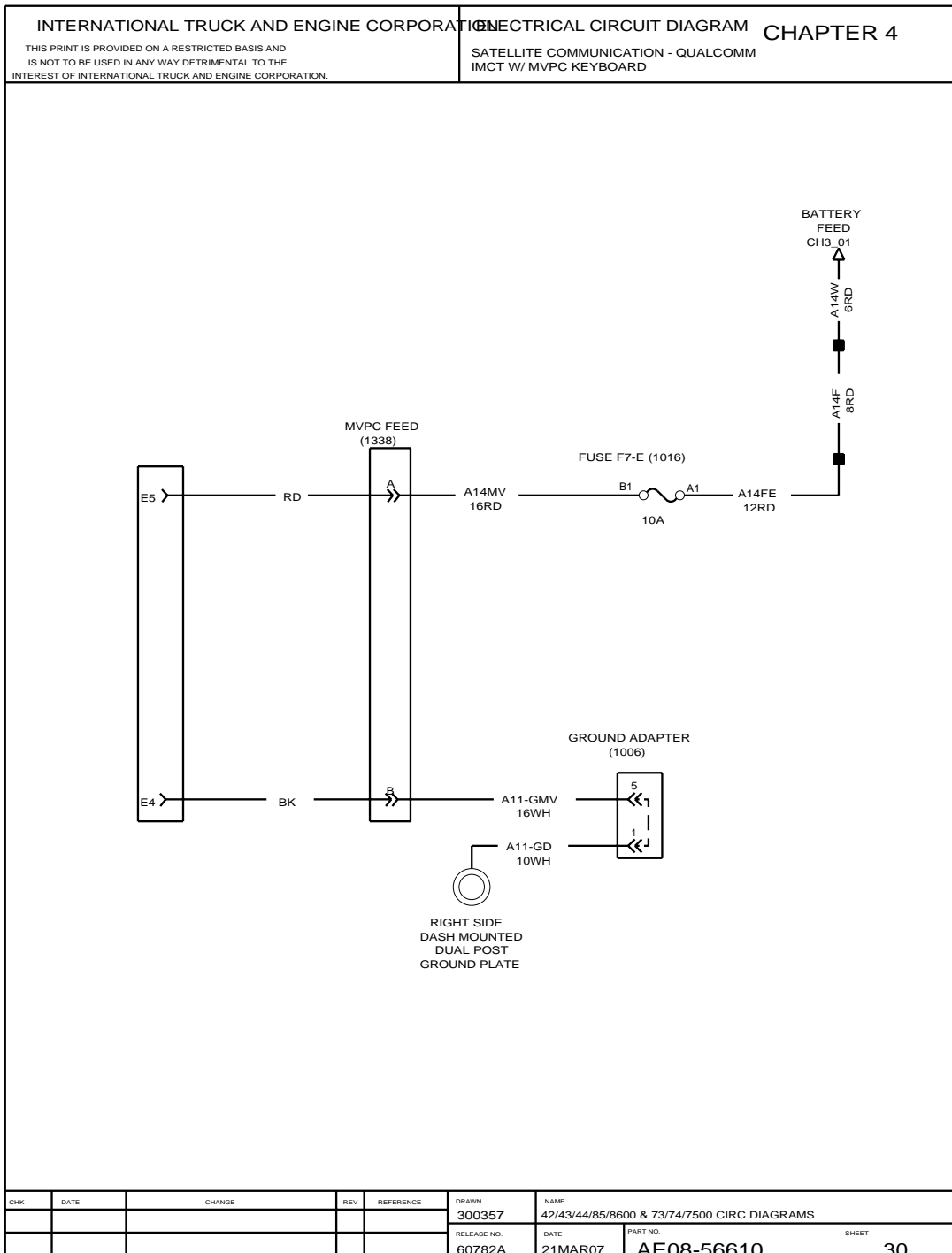


Figure 74 Satellite Communication — Qualcomm MCT with MVPC Keyboard

4.34. SATELLITE COMMUNICATION — QUALCOMM TMCT, P. 32

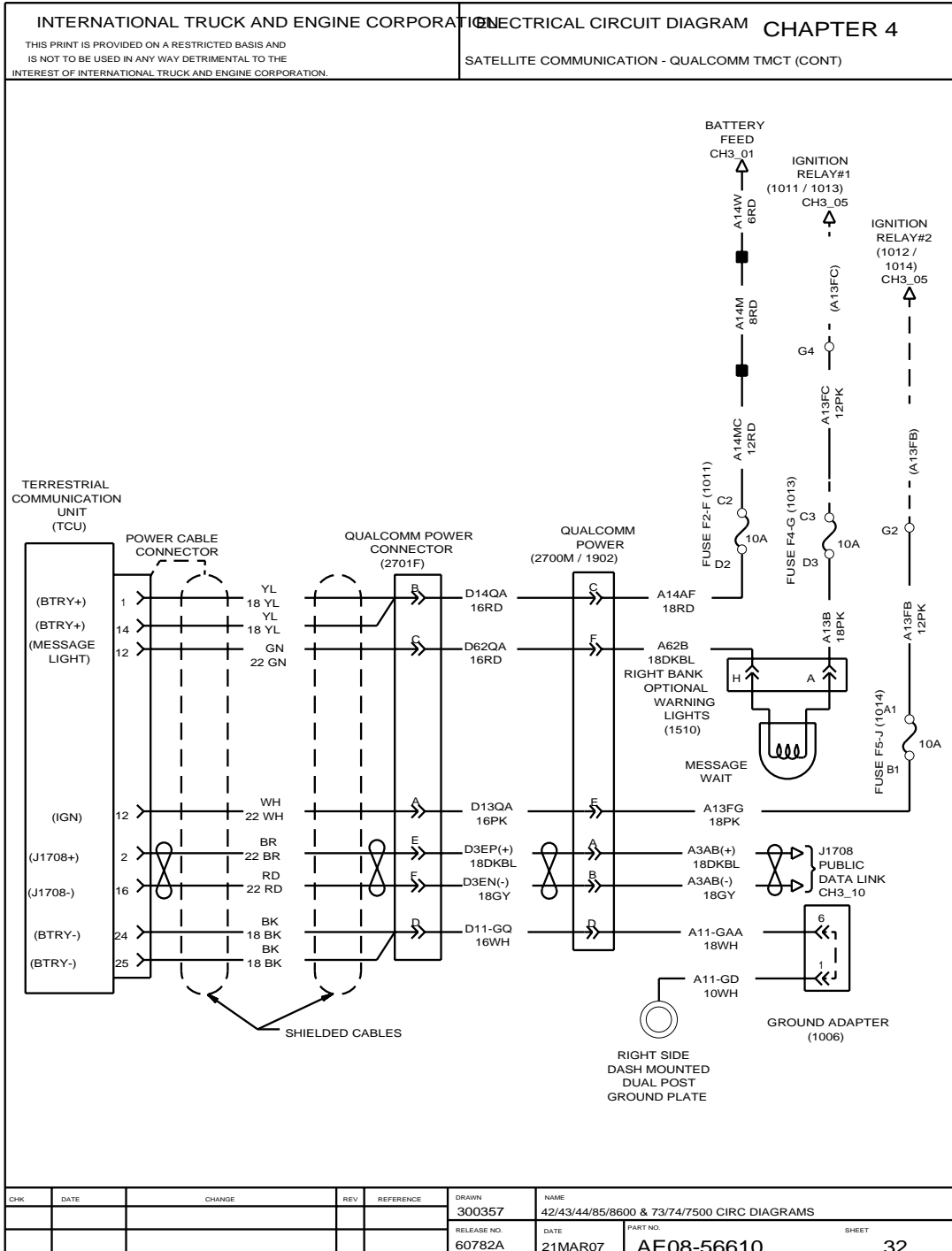


Figure 76 Satellite Communication — Qualcomm TMCT

4.35. AIR SHIELD LIGHT, P. 33

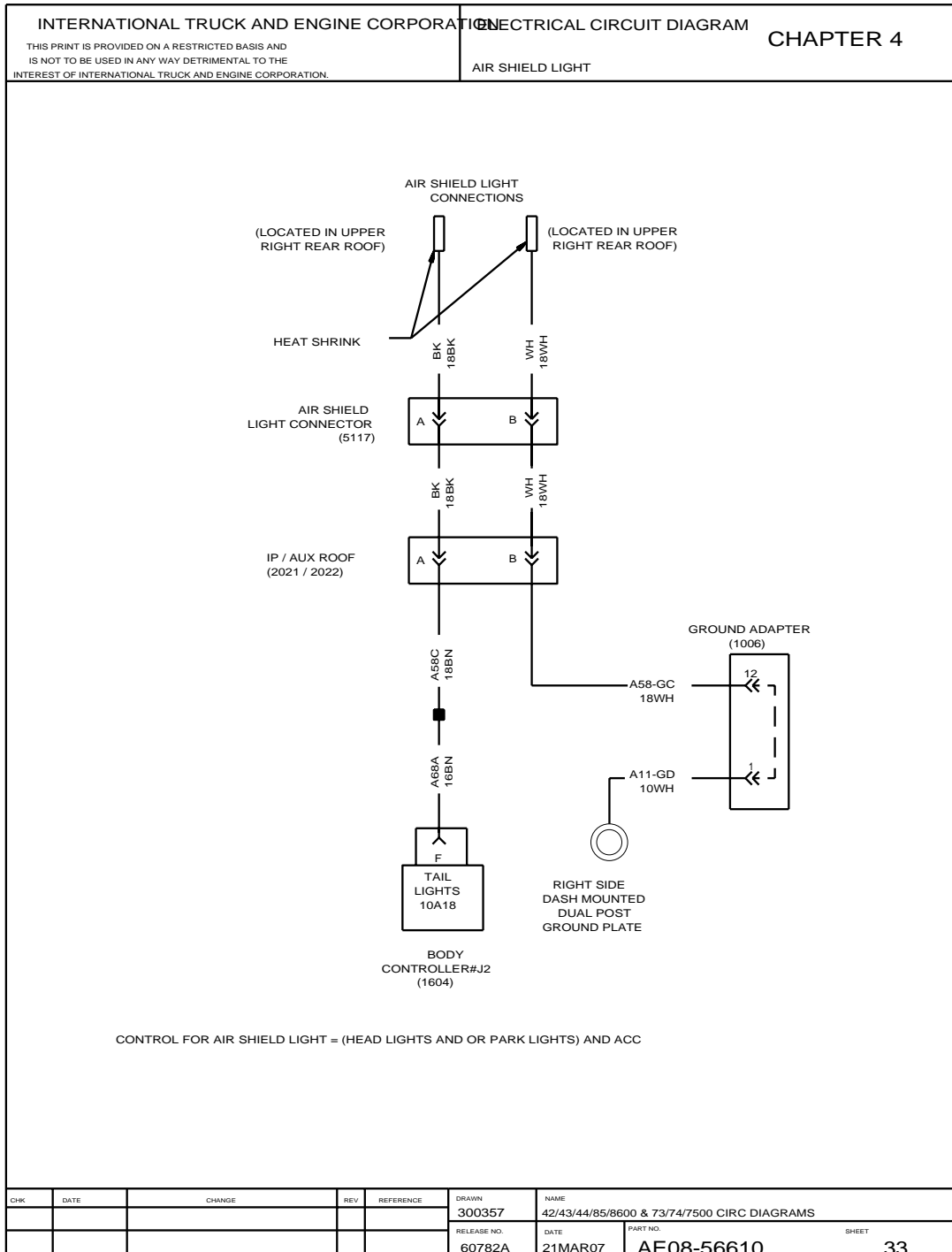


Figure 77 Air Shield Light

5. 12V CHARGING + CRANKING SYSTEM (CHAPTER 5)

5.1. I6 / V8 ENGINES WITH MANUAL TRANSMISSION, P. 1

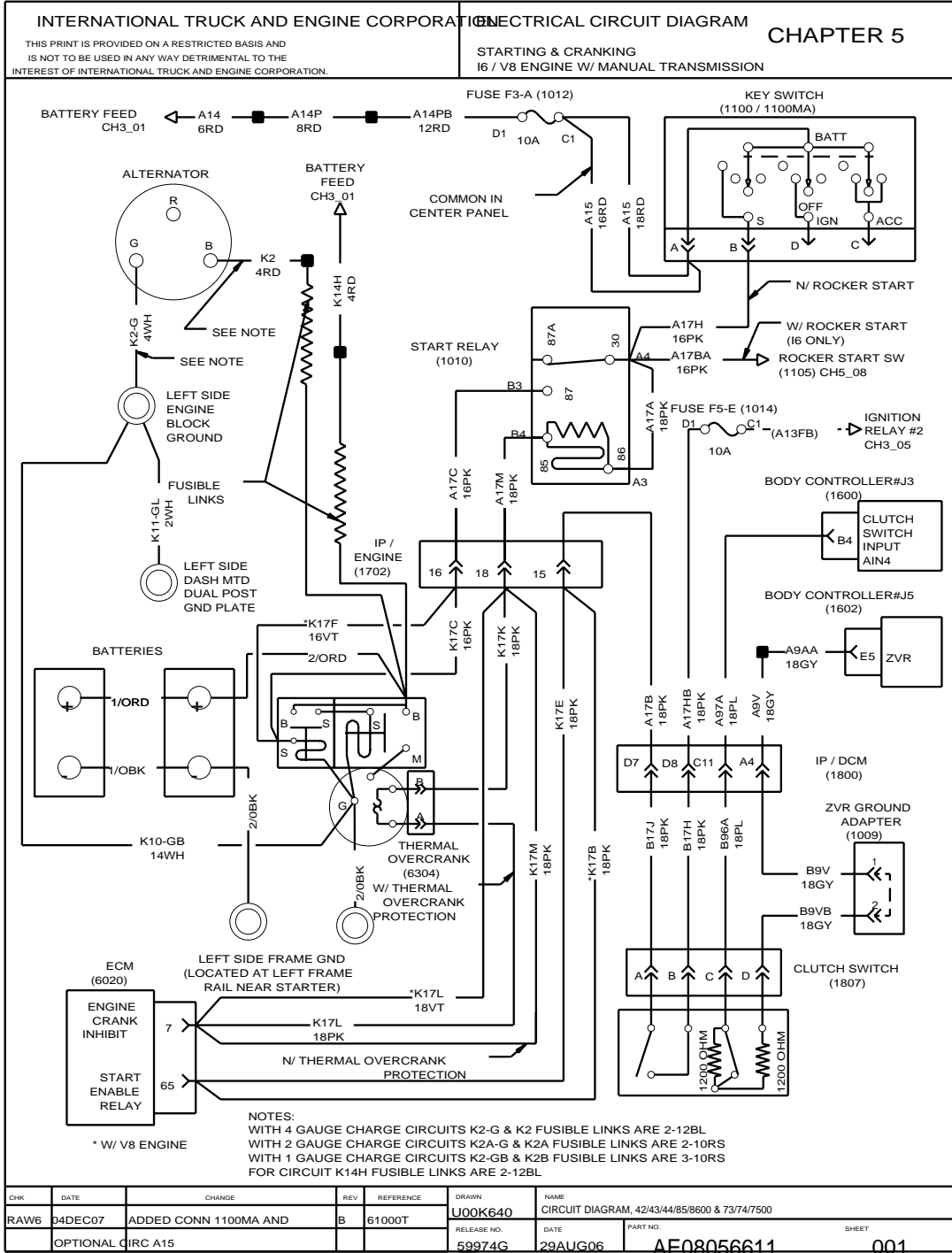


Figure 78 I6 / V8 Engines with Manual Transmission

5.2. CAT — CUMMINS ENGINES WITH MANUAL TRANSMISSION, P. 2

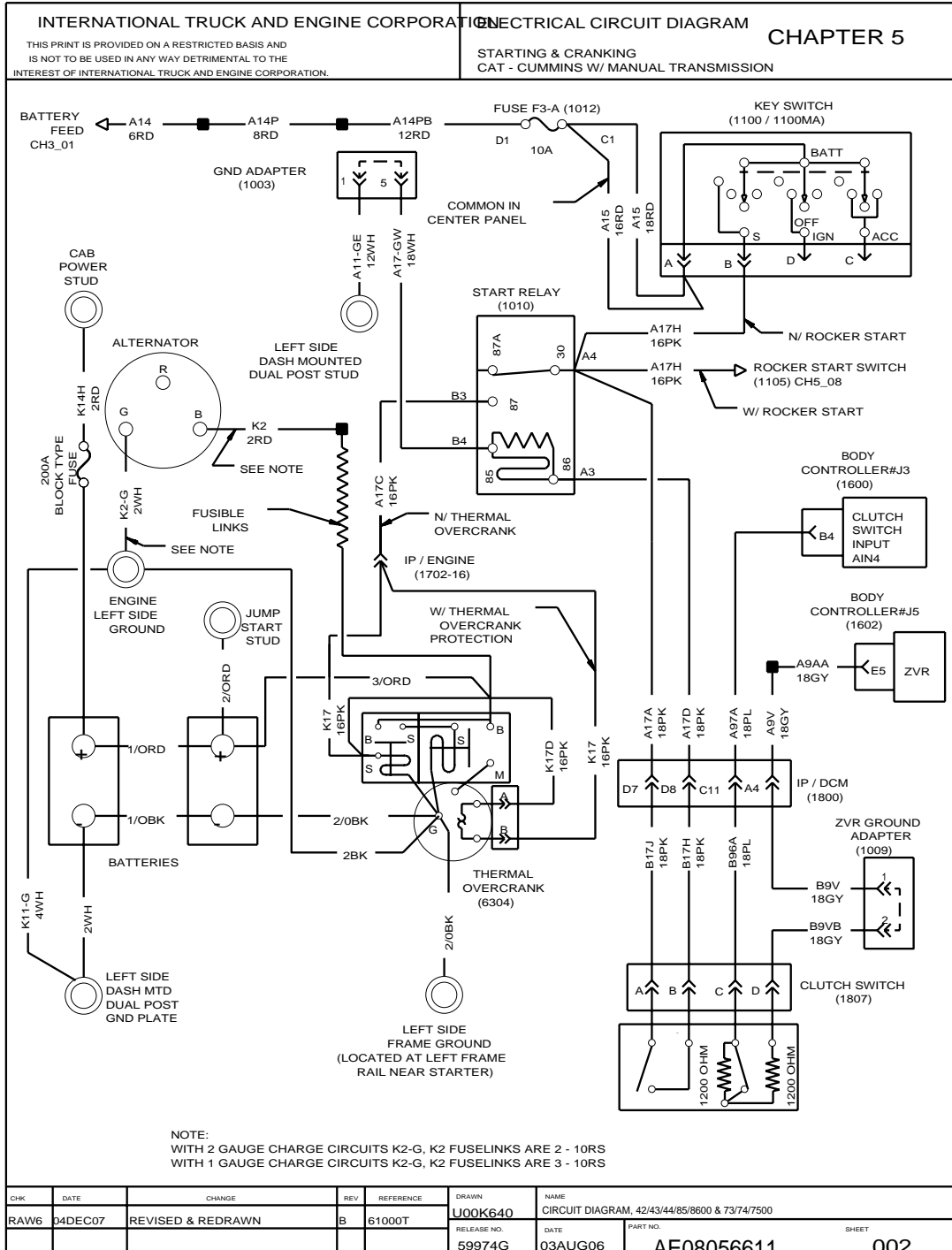


Figure 79 Cat — Cummins Engines with Manual Transmission

5.3. I6 / V8 ENGINES WITH ALLISON TRANSMISSION, P. 3

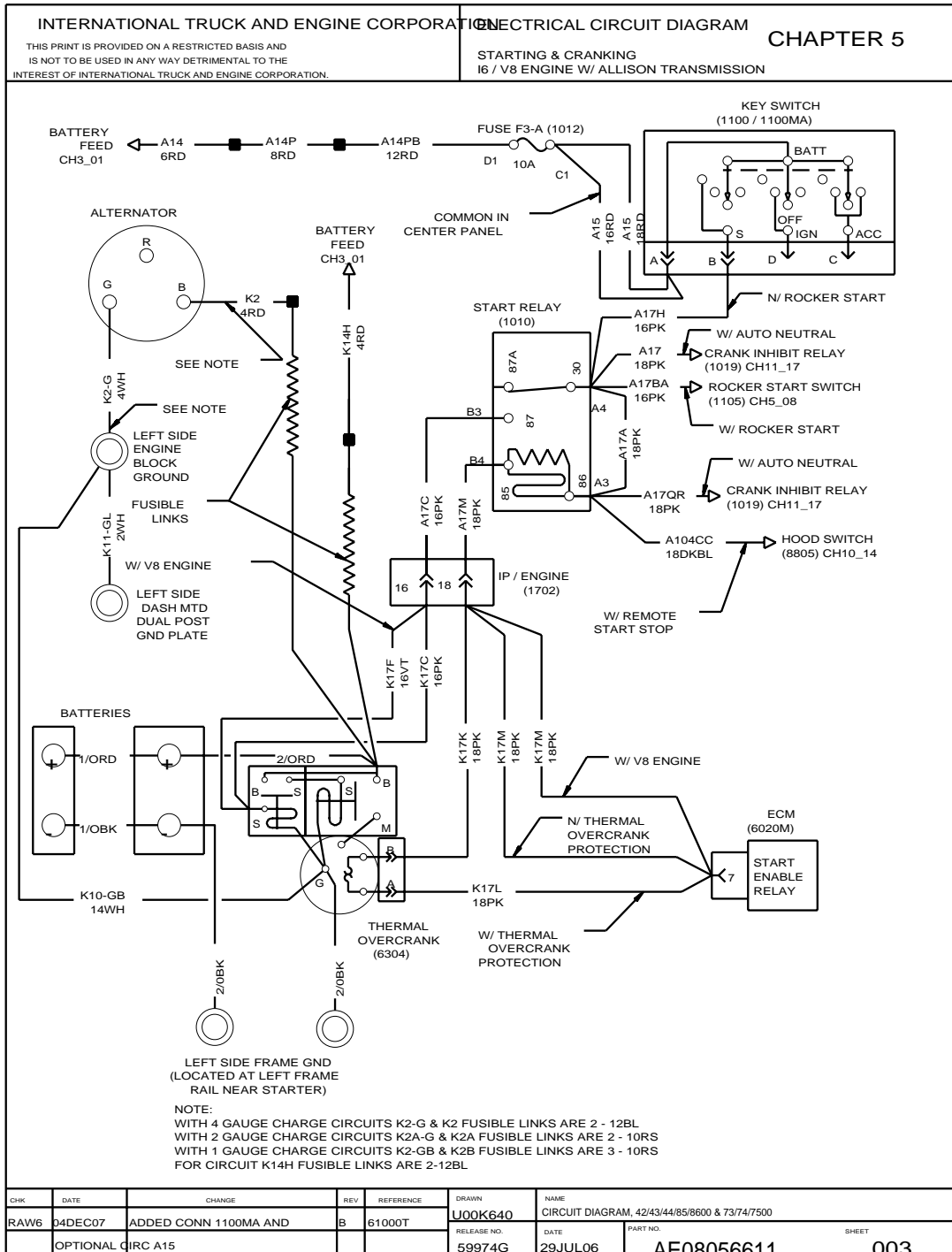


Figure 80 I6 / V8 Engines with Allison Transmission

5.4. CAT — CUMMINS ENGINES WITH ALLISON TRANSMISSION, P. 4

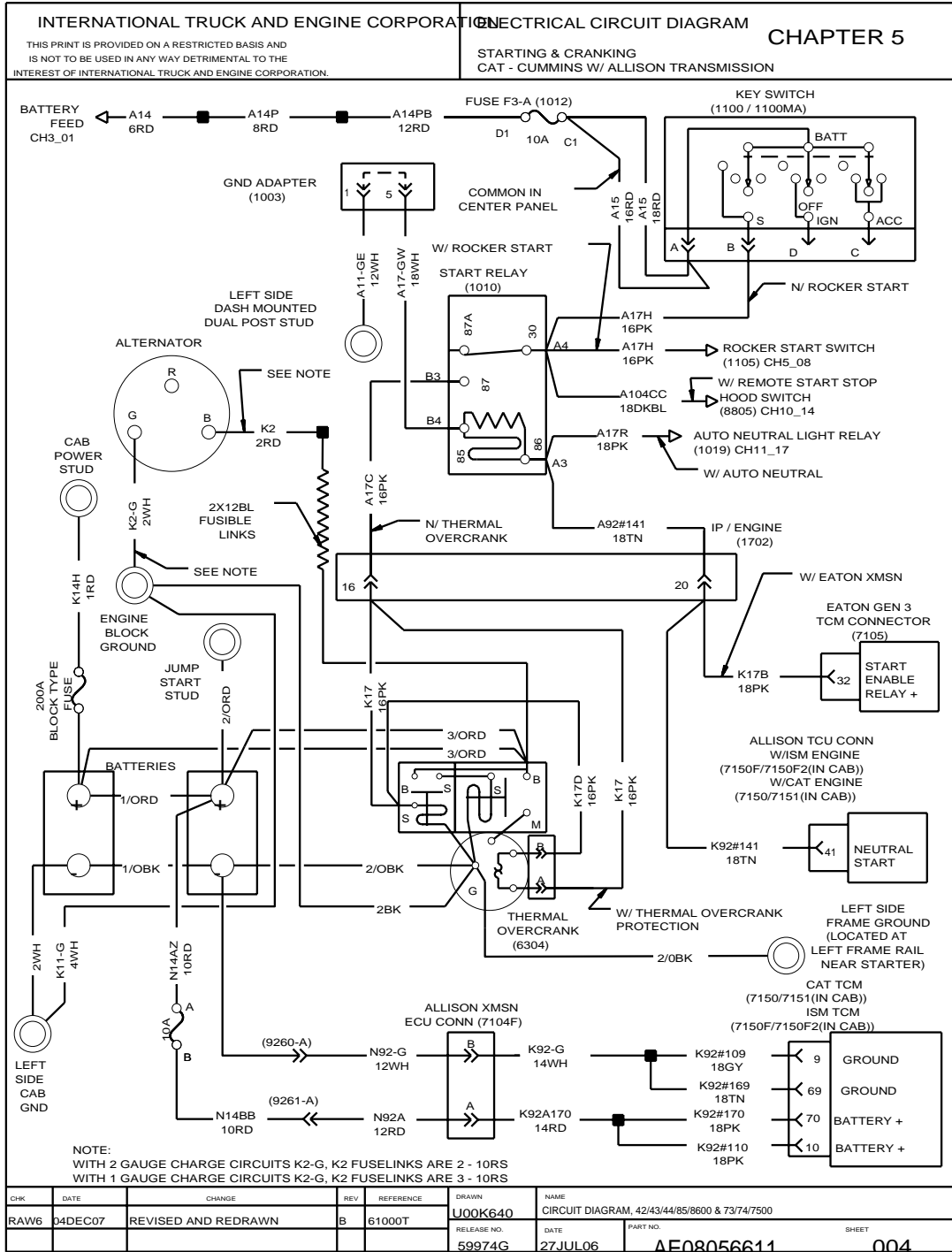


Figure 81 Cat — Cummins Engines with Allison Transmission

5.5. I6 ENGINE WITH AUTOSHIFT, ULTRASHIFT AND EATON HYBRID TRANSMISSION, P. 5

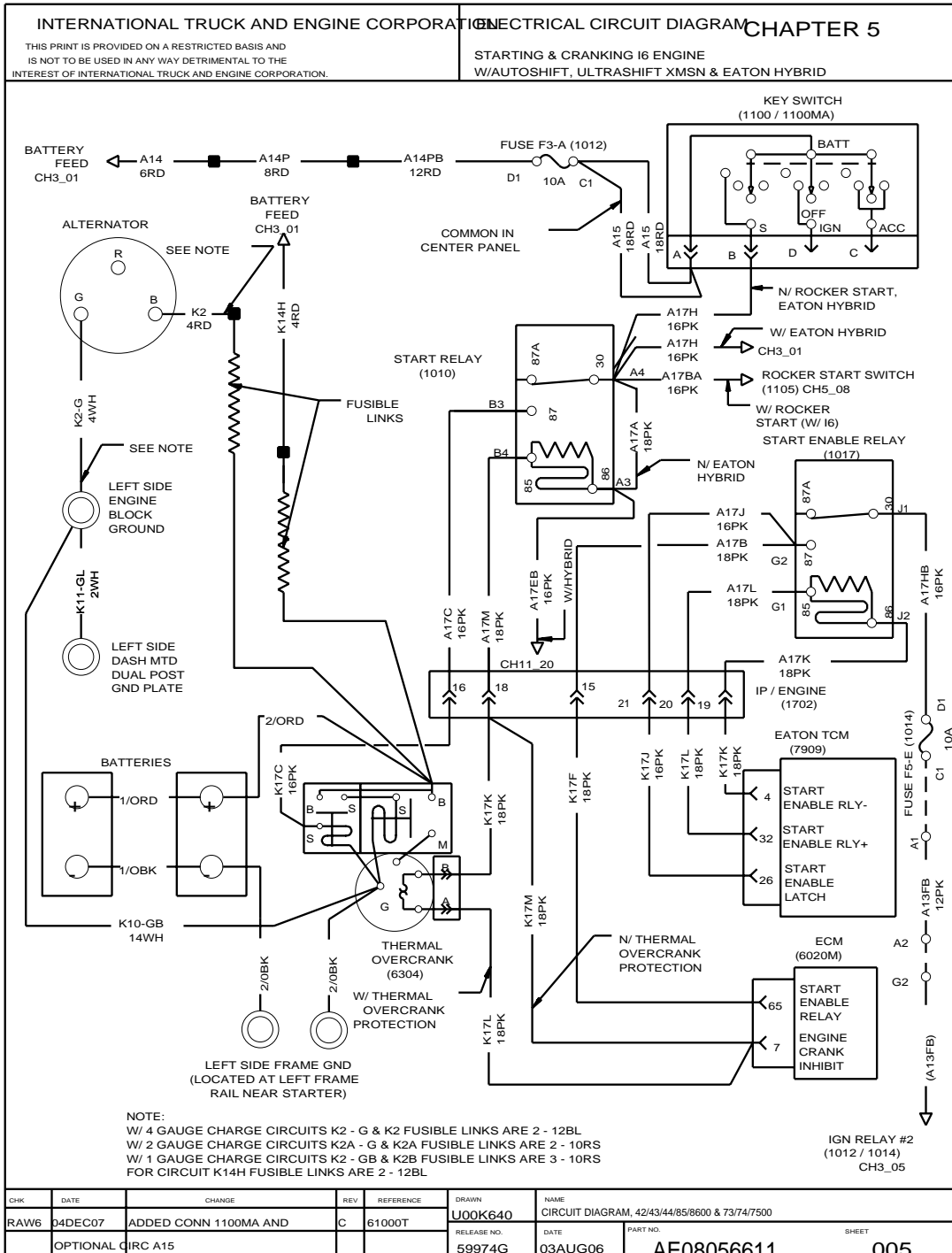


Figure 82 I6 Engine with Autoshift, Ultrashift, and Eaton Hybrid Transmission

5.6. CAT — CUMMINS ENGINES WITH AUTOSHIFT AND ULTRASHIFT TRANSMISSION,
 P. 6

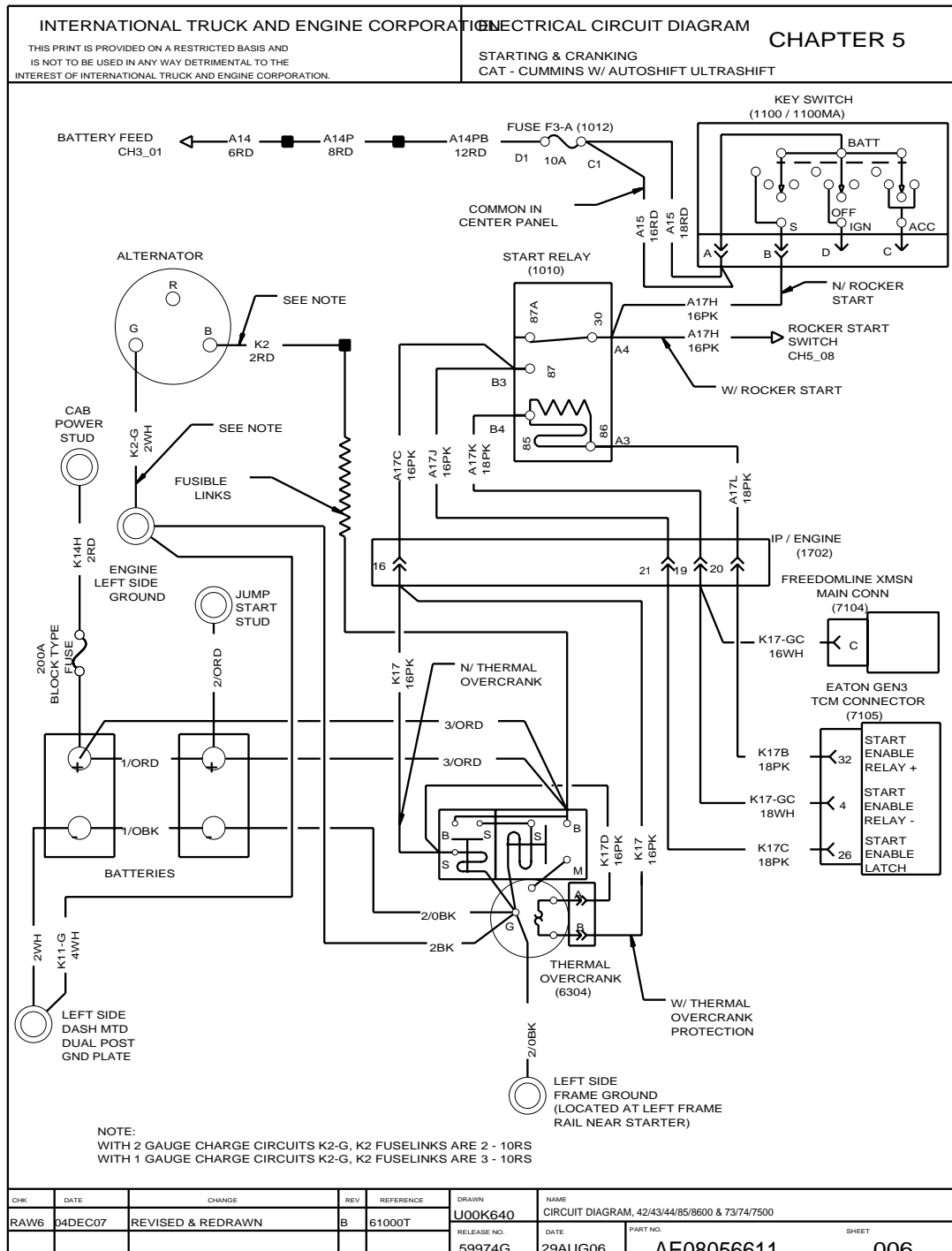


Figure 83 Cat — Cummins Engines with Autoshift and Ultrashift Transmission

5.7. I6 POWER PACK, P. 7

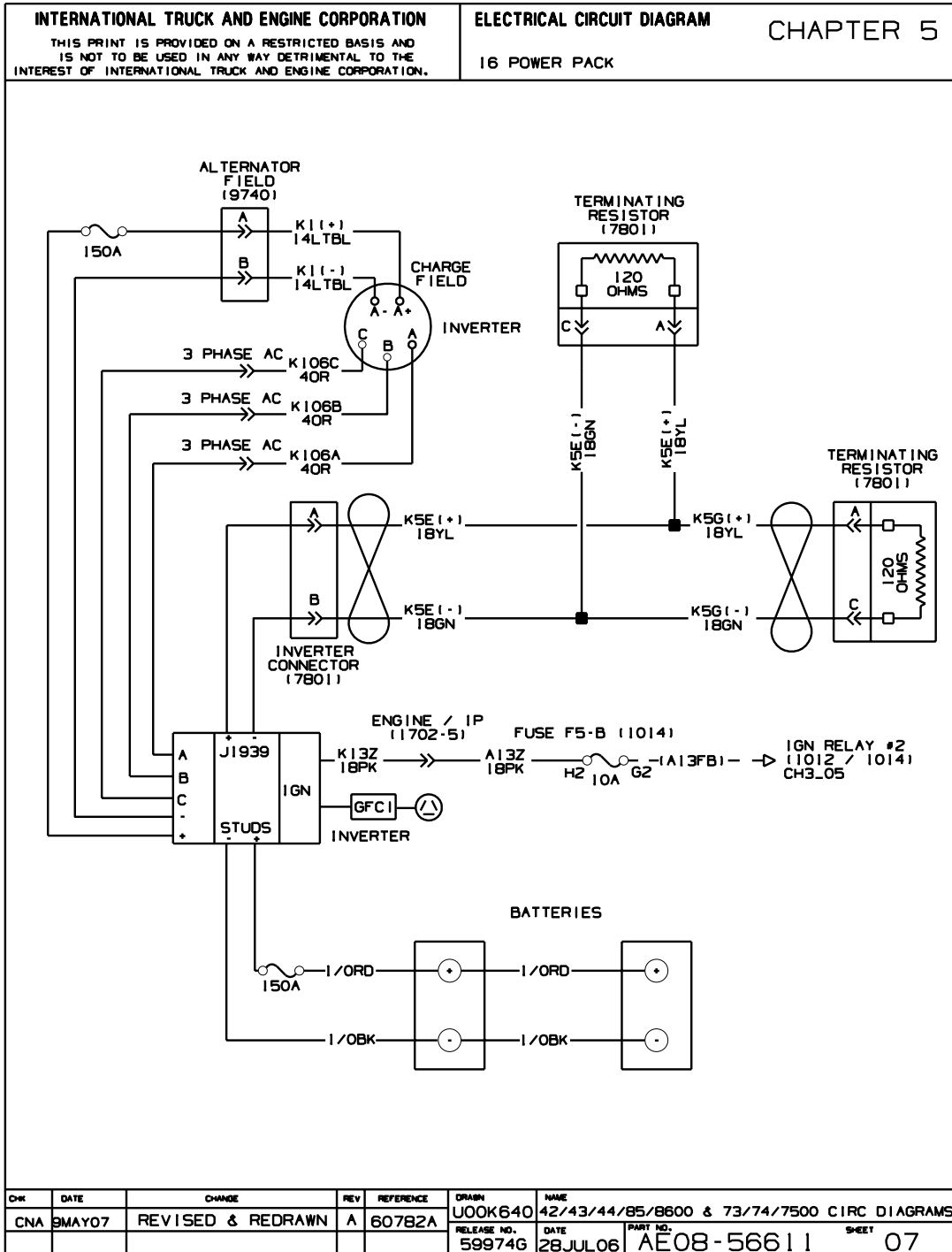


Figure 84 I6 Power Pack

5.8. ROCKER START, P. 8

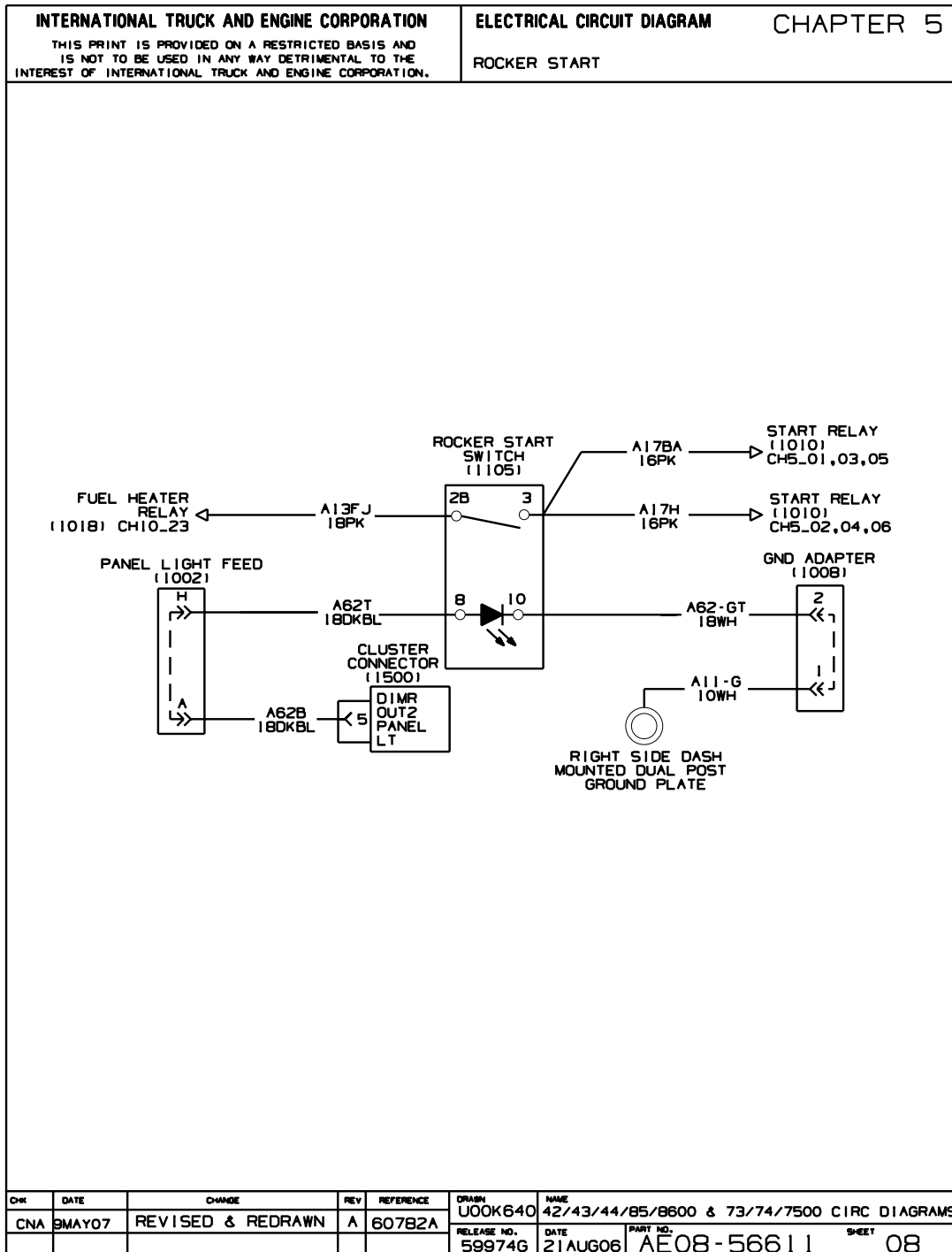


Figure 85 Rocker Start

CHR	DATE	CHANGE	REV	REFERENCE	DASH	NAME
CNA	9MAY07	REVISED & REDRAWN	A	60782A	U00K640	42/43/44/85/8600 & 73/74/7500 CIRC DIAGRAMS
					RELEASE NO.	DATE
					59974G	21AUG06
					PART NO.	SHEET
					AE08-56611	08

6. FANS AND ENGINE ACCESSORIES (CHAPTER 6)

6.1. FAN WIRING, I6 / V8 2007 ENGINES, P. 1

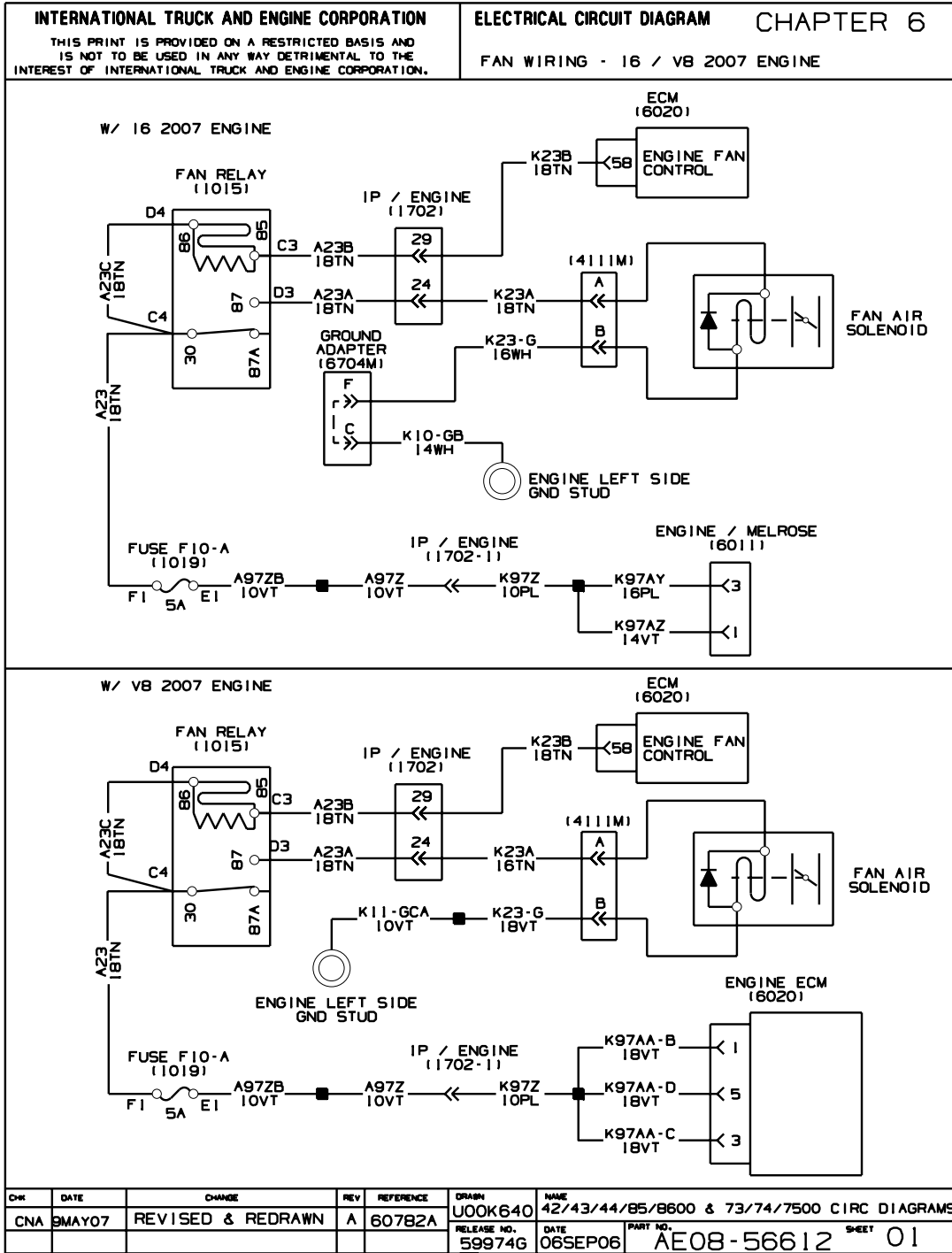


Figure 86 Fan Wiring, I6 / V8 2007 Engines

6.2. FAN WIRING, ISM, C11-C13 2007 ENGINES, P. 2

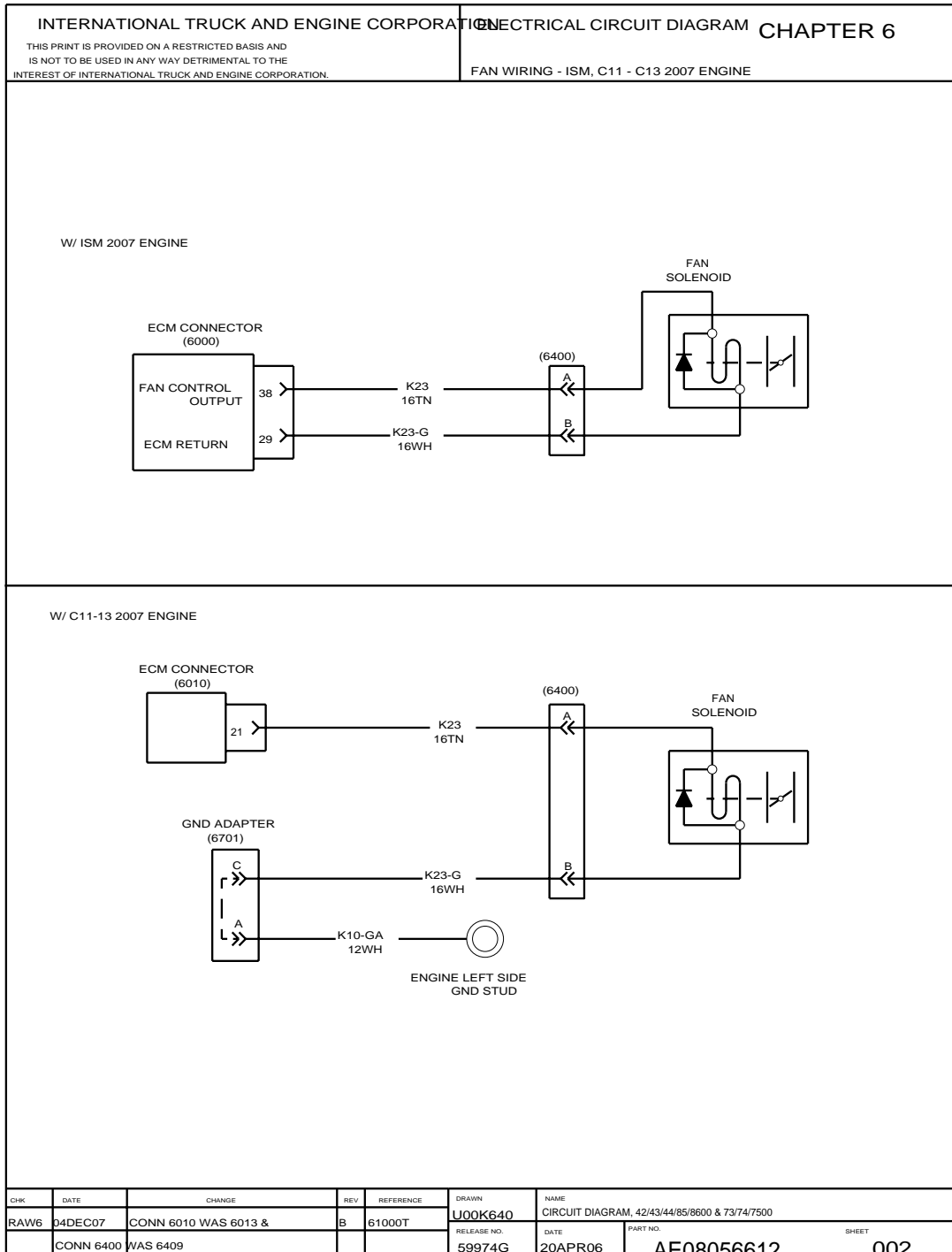


Figure 87 Fan Wiring, ISM, C11-C13 2007 Engines

6.3. STARTING AID — ETHER START, P. 3

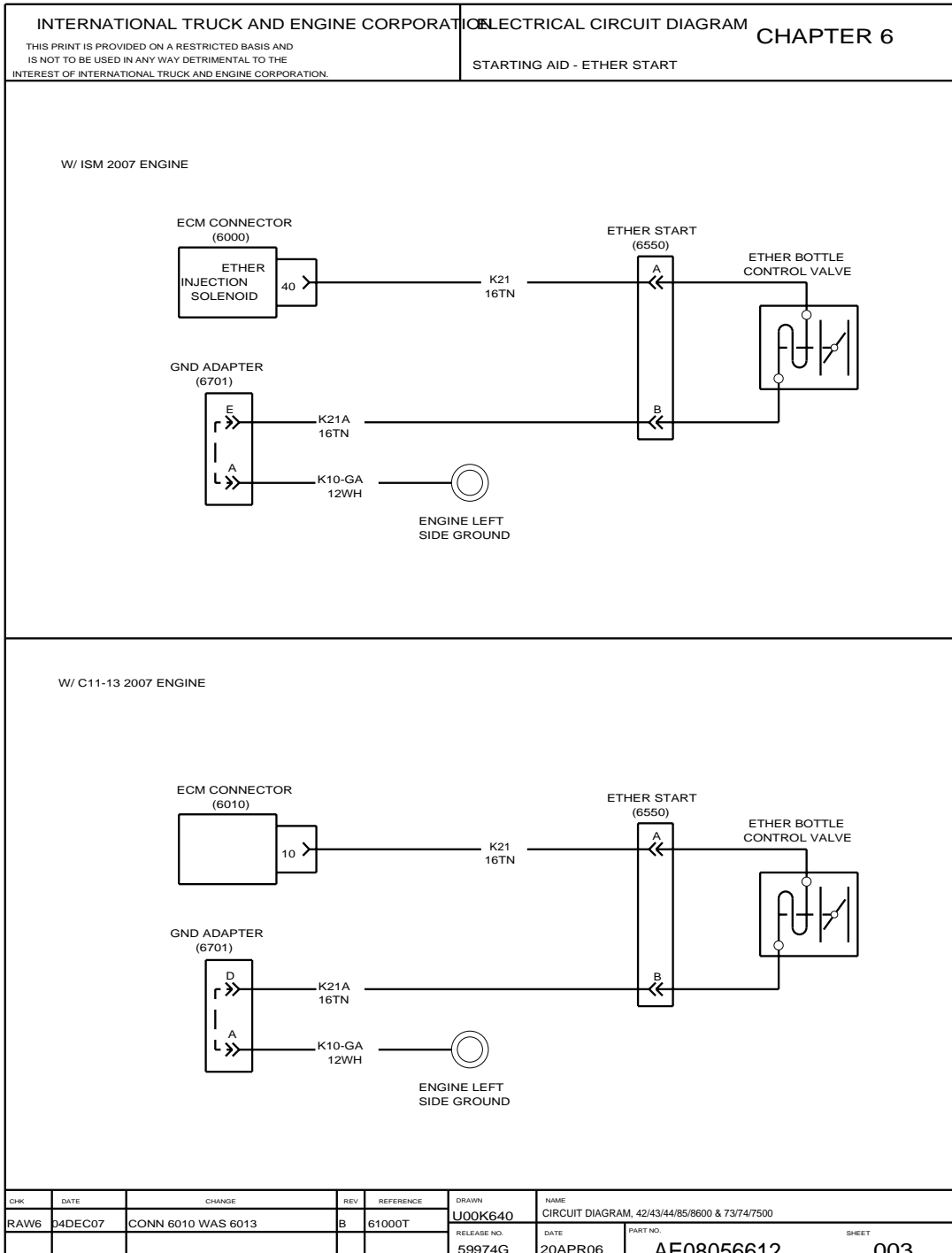


Figure 88 Starting Aid — Ether Start

6.4. SNOW VALVE, P. 4

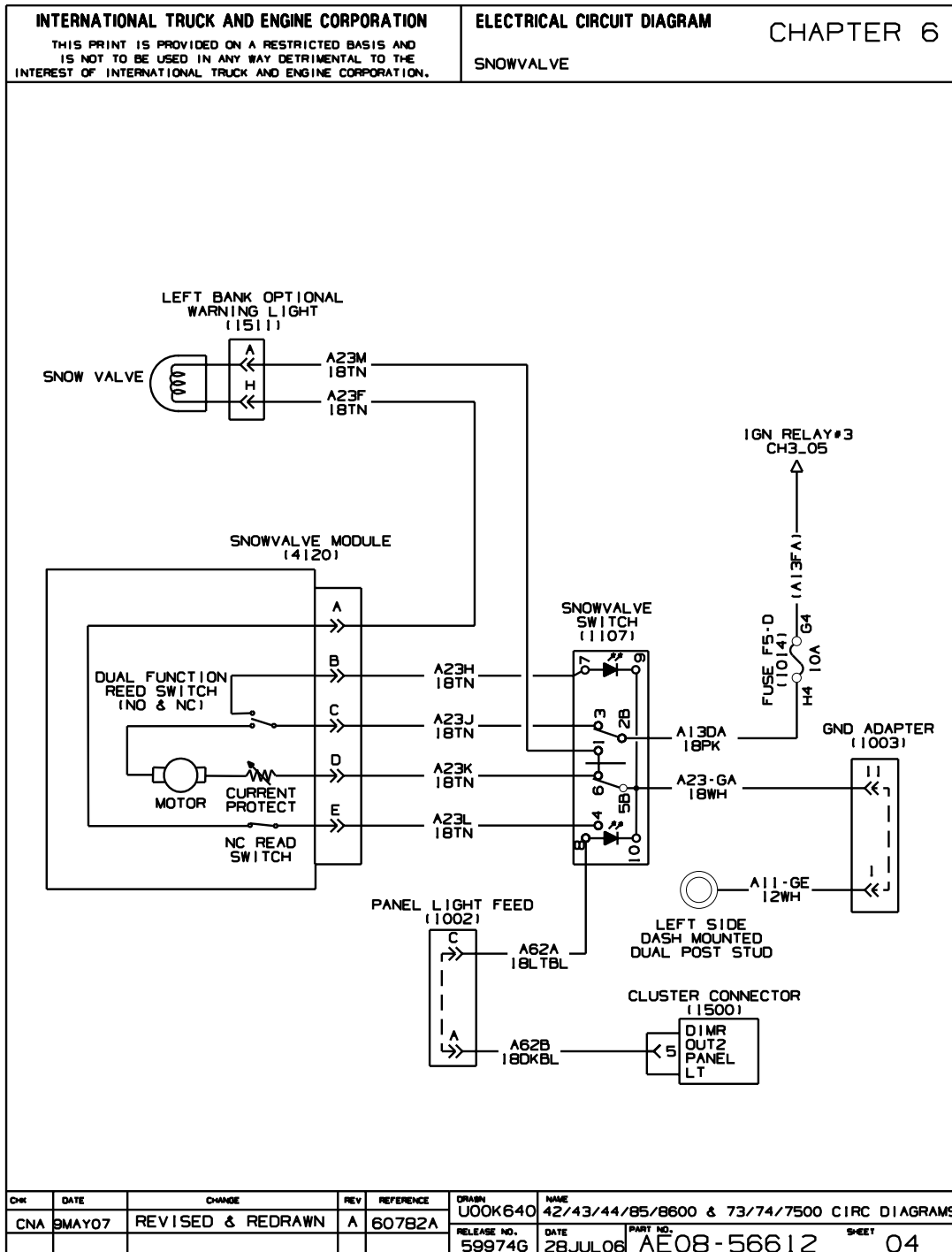


Figure 89 Snow Valve

7. ELECTRONIC ENGINES (CHAPTER 7)

7.1. ELECTRONIC ENGINE CONTROLS, CAT ENGINES, P. 1

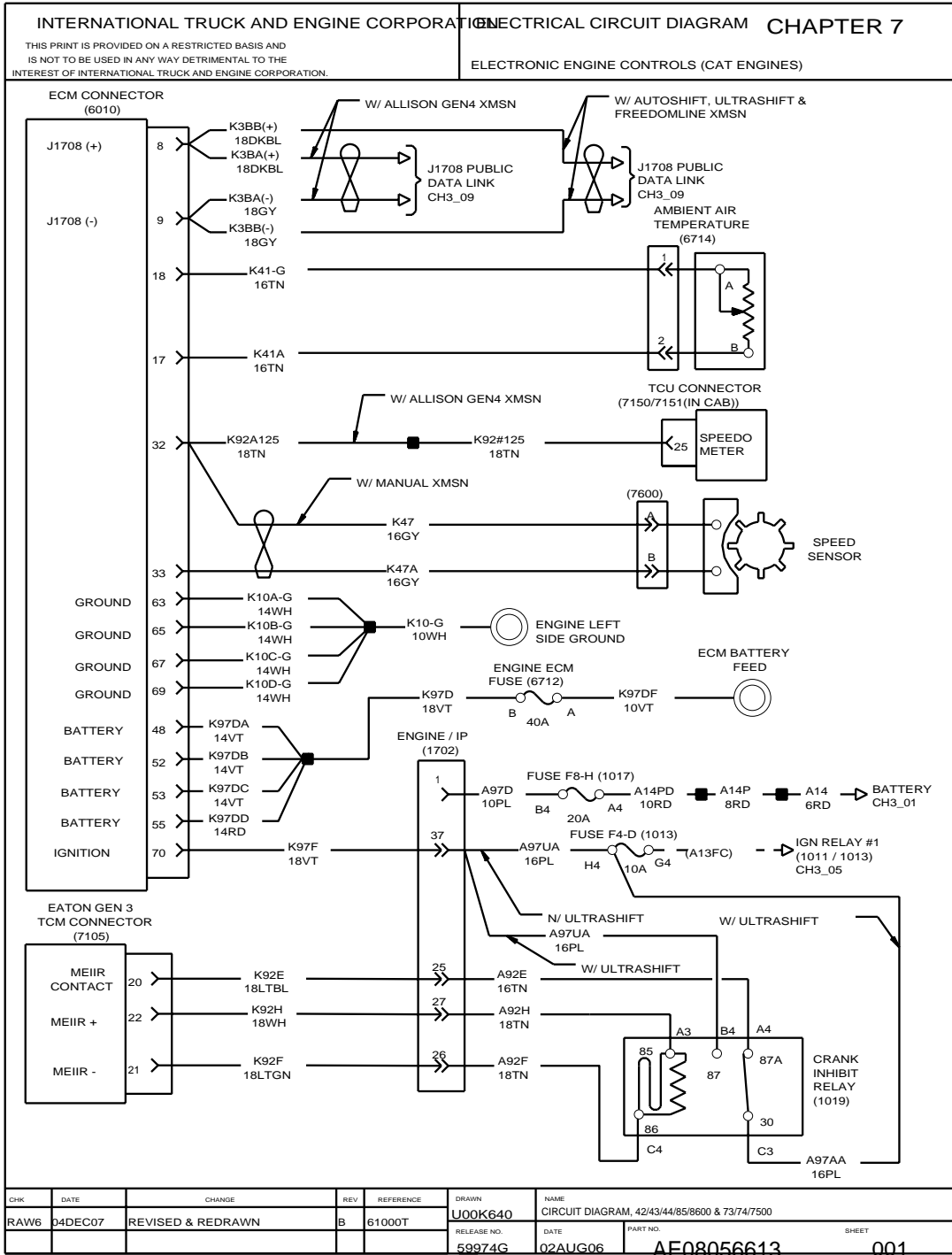


Figure 90 Electronic Engine Controls, Cat Engines

7.3. ENGINE BODY BUILDER — REMOTE ENGINE CONTROL (CAT/IBBE ENGINE), P. 3

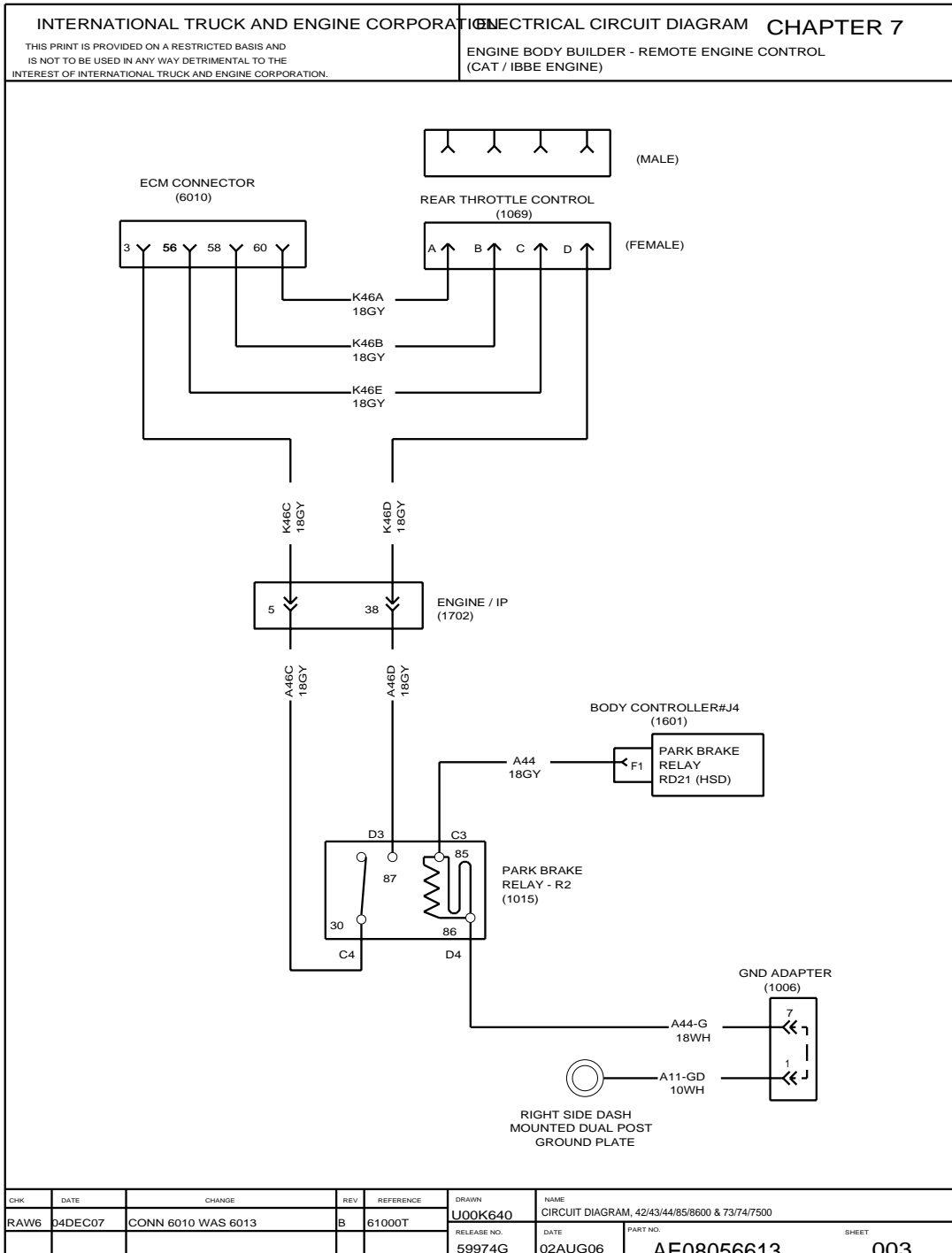


Figure 92 Engine Body Builder — Remote Engine Control (Cat/IBBE Engine)

7.4. ELECTRONIC ENGINE CONTROLS, ISM ENGINES, P. 4

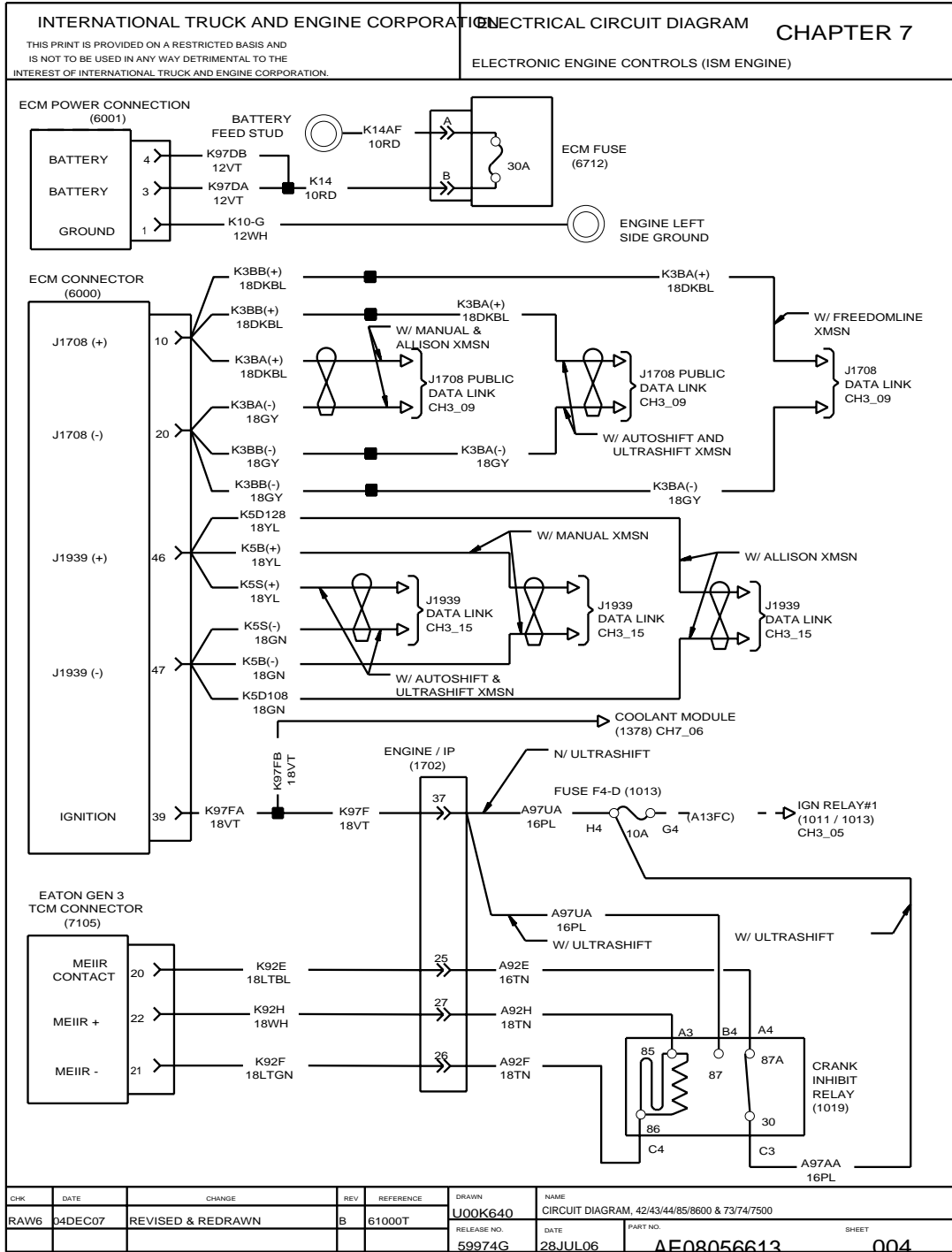


Figure 93 Electronic Engine Controls, ISM Engines

7.5. ELECTRONIC ENGINE CONTROLS, ISM ENGINES, P. 5

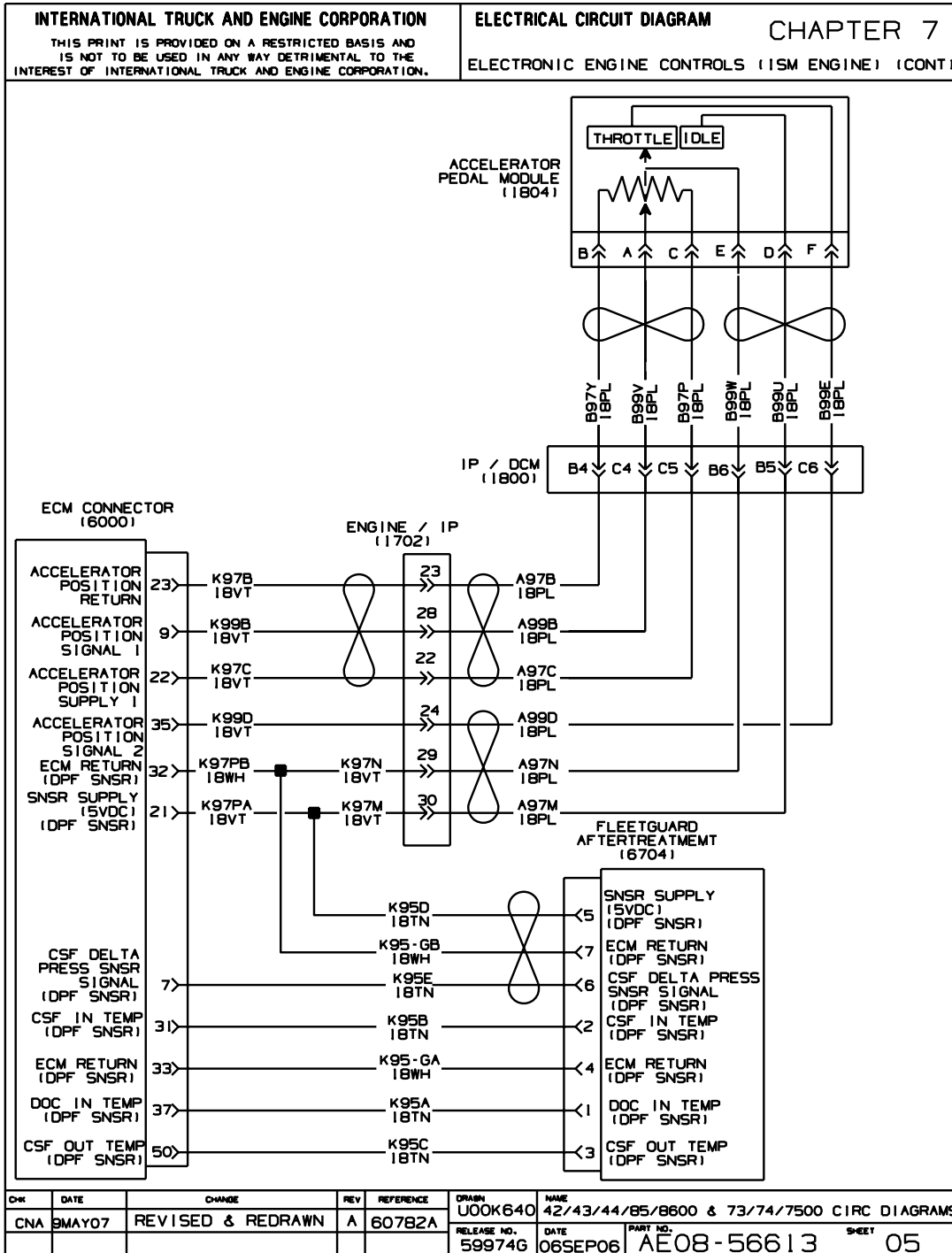


Figure 94 Electronic Engine Controls, ISM Engines (Cont.)

7.6. ELECTRONIC ENGINE CONTROLS, ISM ENGINES, P. 6

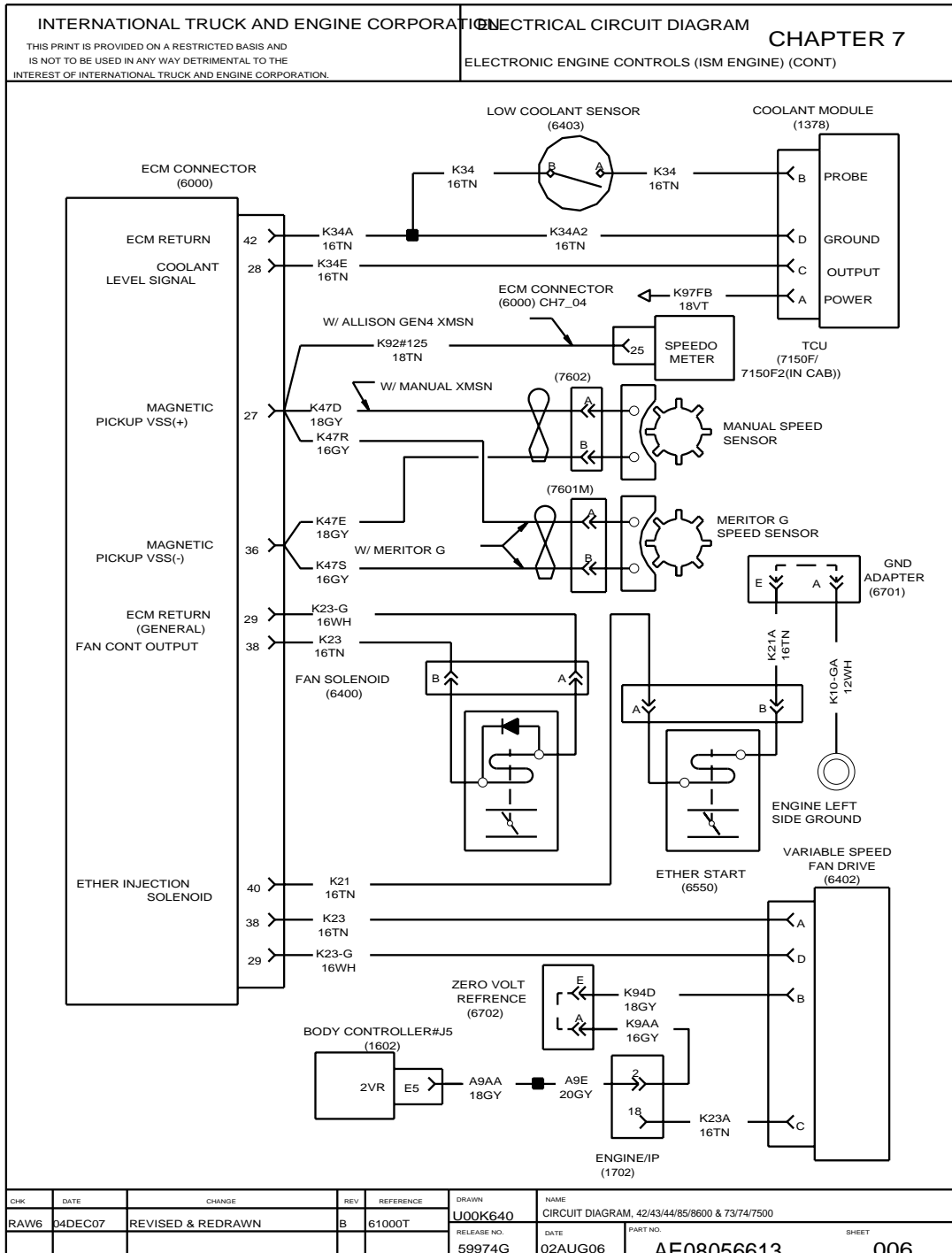


Figure 95 Electronic Engine Controls, ISM Engines (Cont.)

7.7. ELECTRONIC ENGINE CONTROLS, I6 ENGINES, P. 7

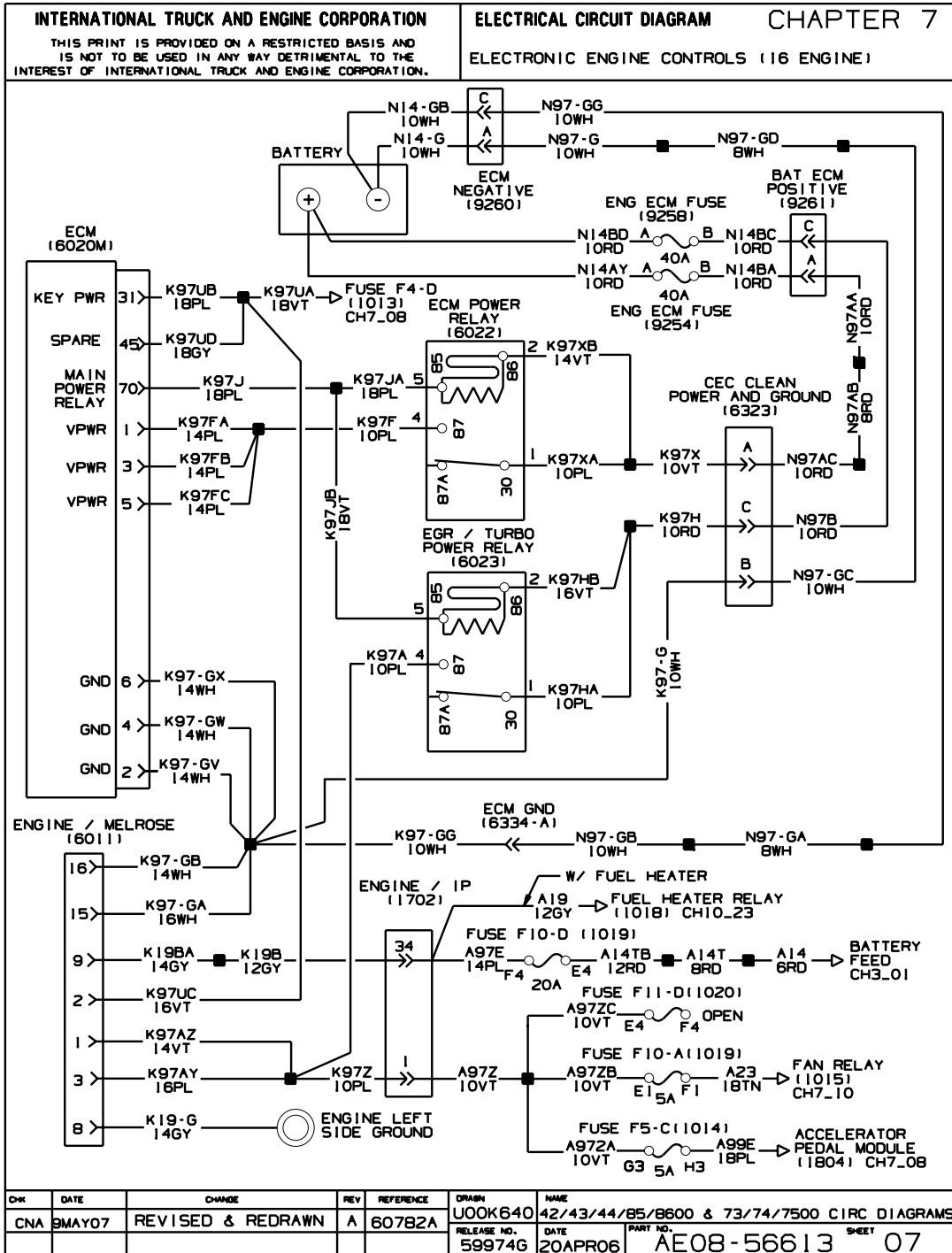


Figure 96 Electronic Engine Controls, I6 Engines

7.9. ELECTRONIC ENGINE CONTROLS, I6 ENGINES, P. 9

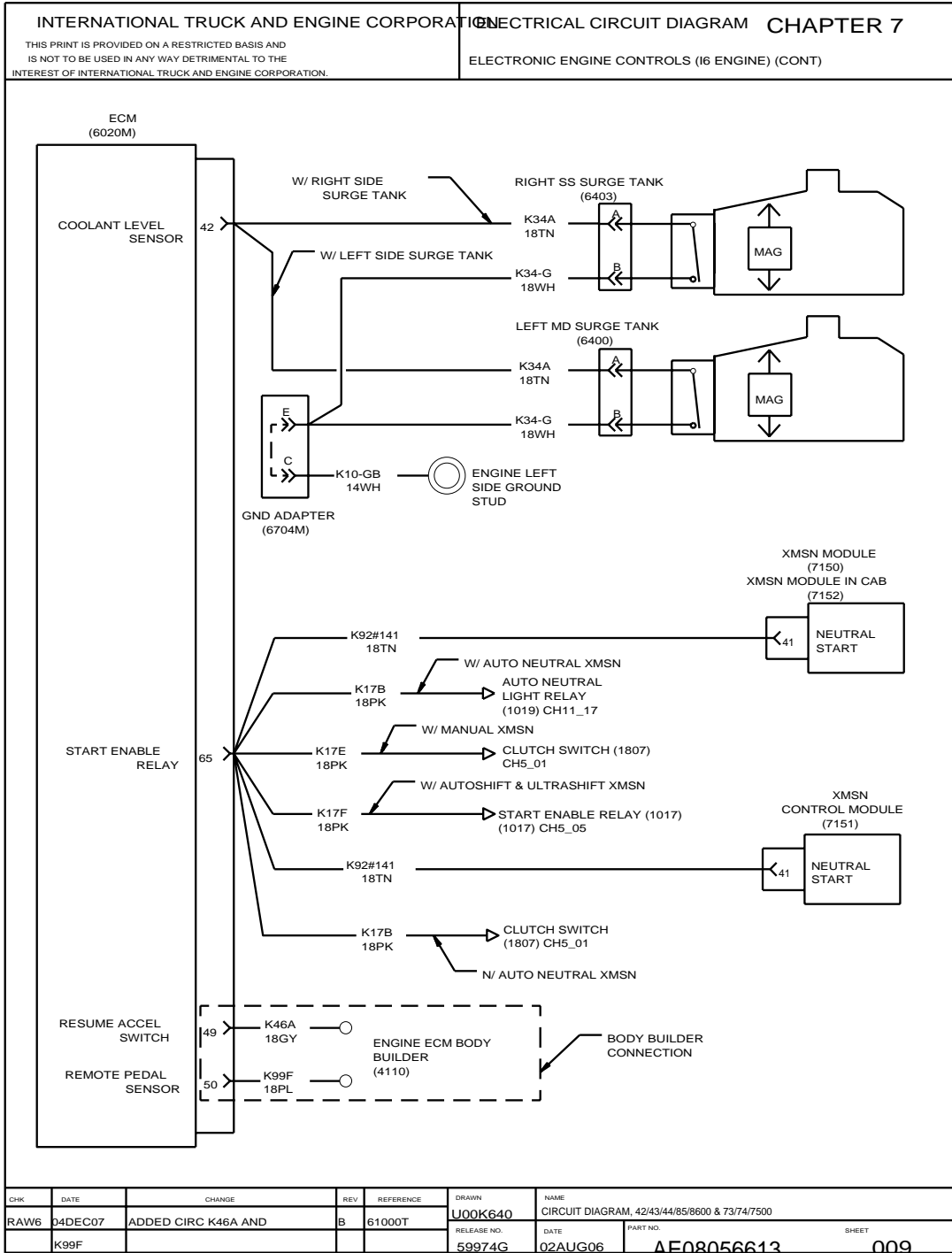


Figure 98 Electronic Engine Controls, I6 Engines (Cont.)

7.10. ELECTRONIC ENGINE CONTROLS, I6 ENGINES, P. 10

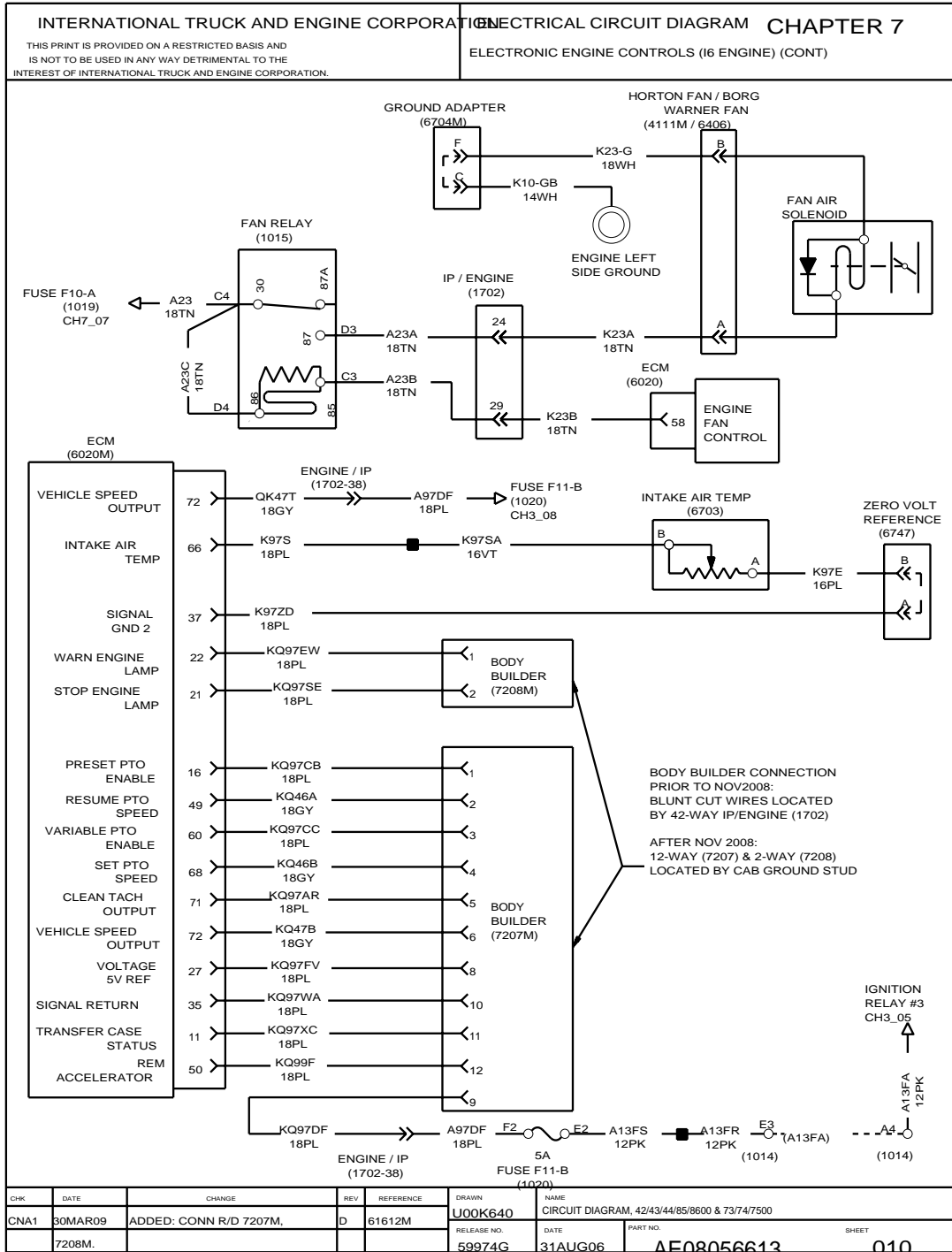


Figure 99 Electronic Engine Controls, I6 Engines (Cont.)

7.11. ELECTRONIC ENGINE CONTROLS, I6 ENGINES, P. 11

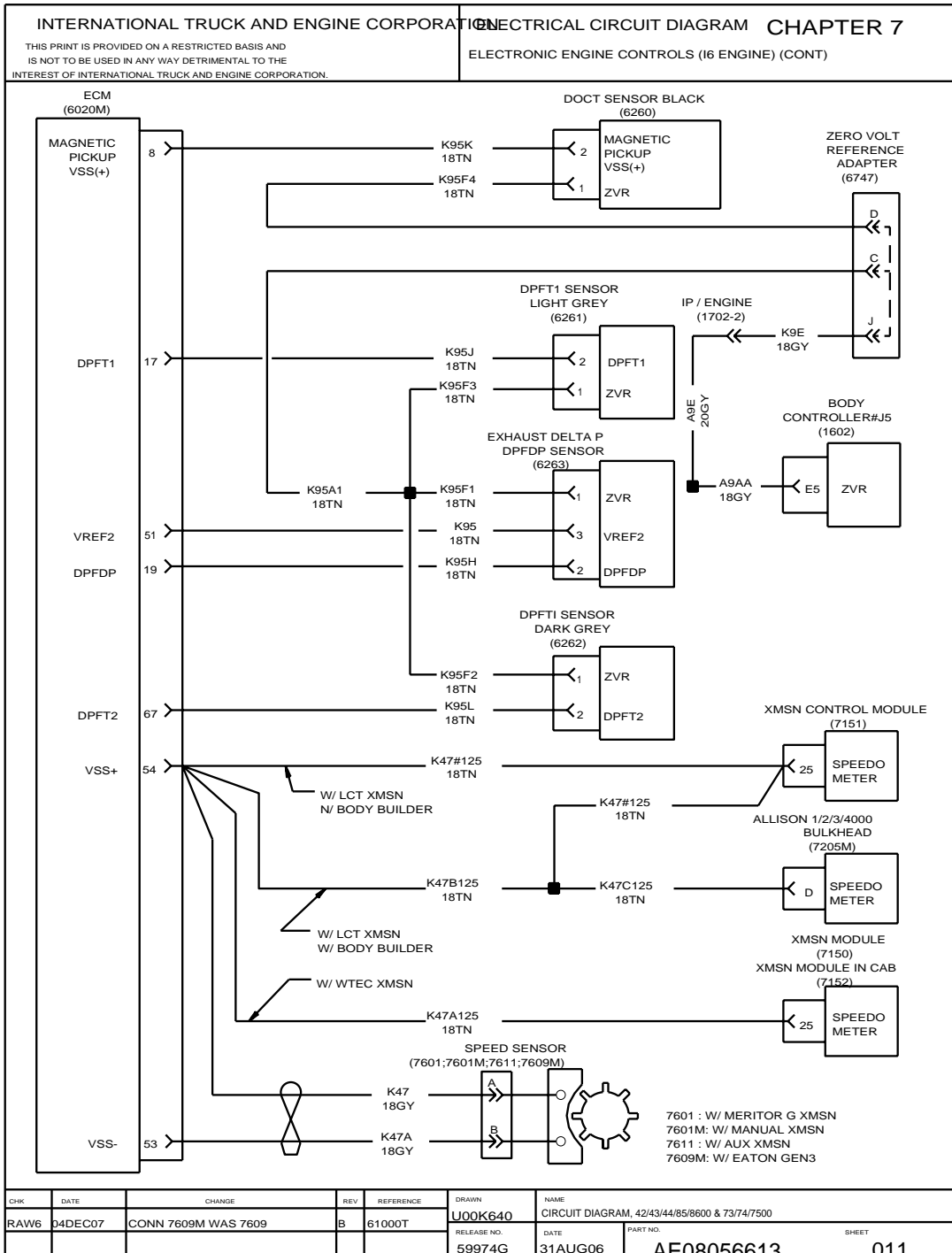


Figure 100 Electronic Engine Controls, I6 Engines (Cont.)

7.12. ELECTRONIC ENGINE CONTROLS — V8 ENGINES, P. 12

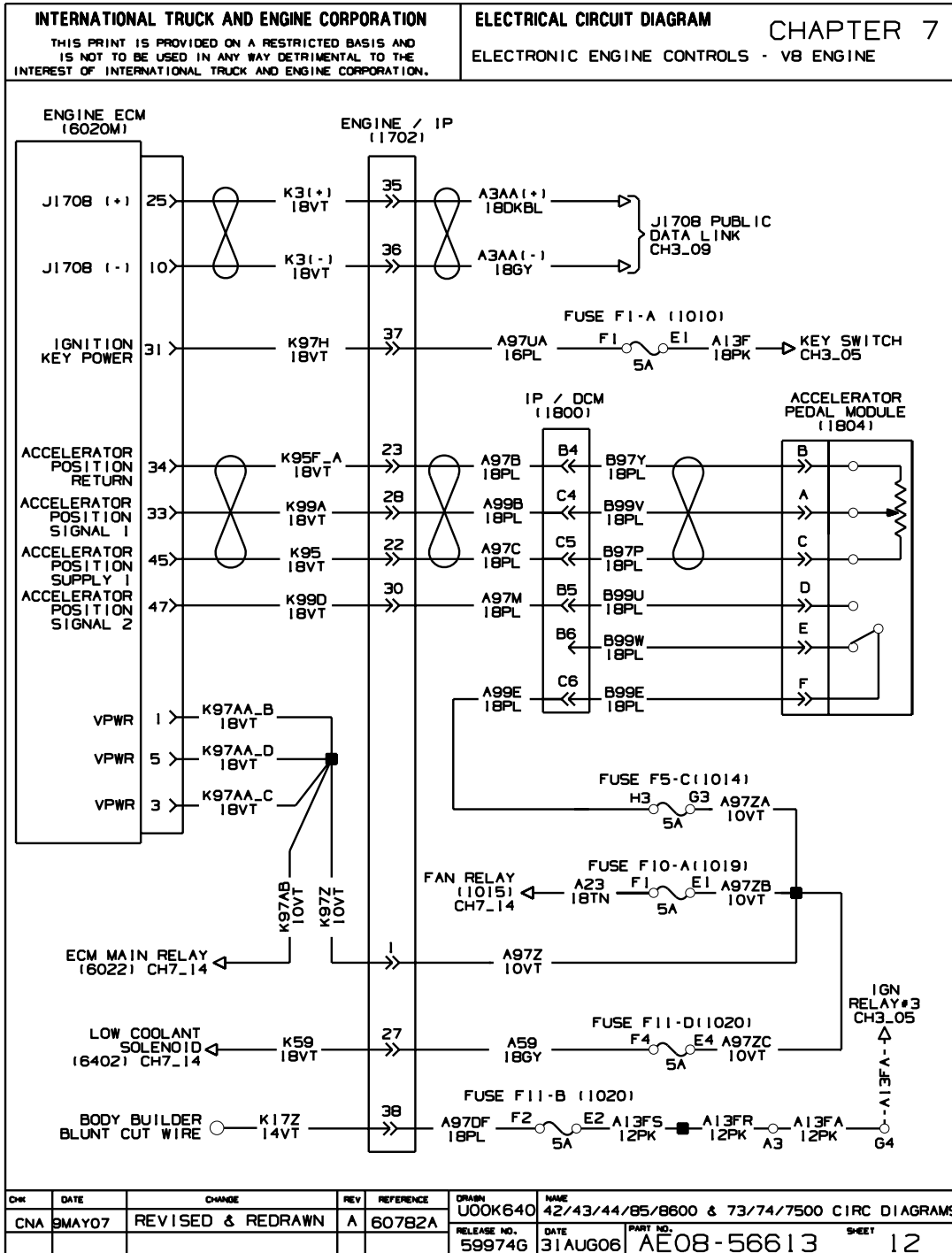


Figure 101 Electronic Engine Controls — V8 Engines

7.13. ELECTRONIC ENGINE CONTROLS — V8 ENGINES, P. 13

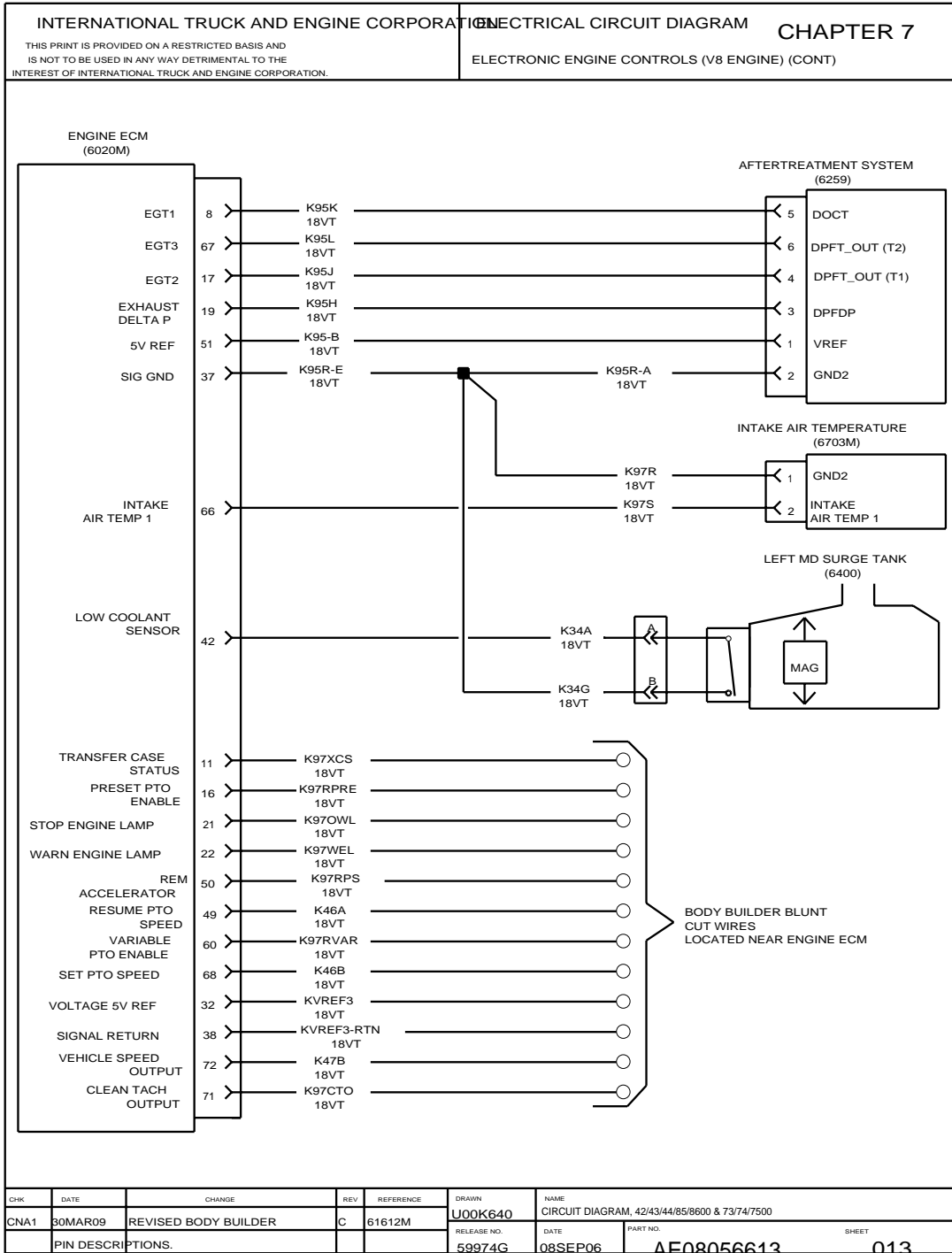


Figure 102 Electronic Engine Controls — V8 Engines

7.14. ELECTRONIC ENGINE CONTROLS — V8 ENGINES, P. 14

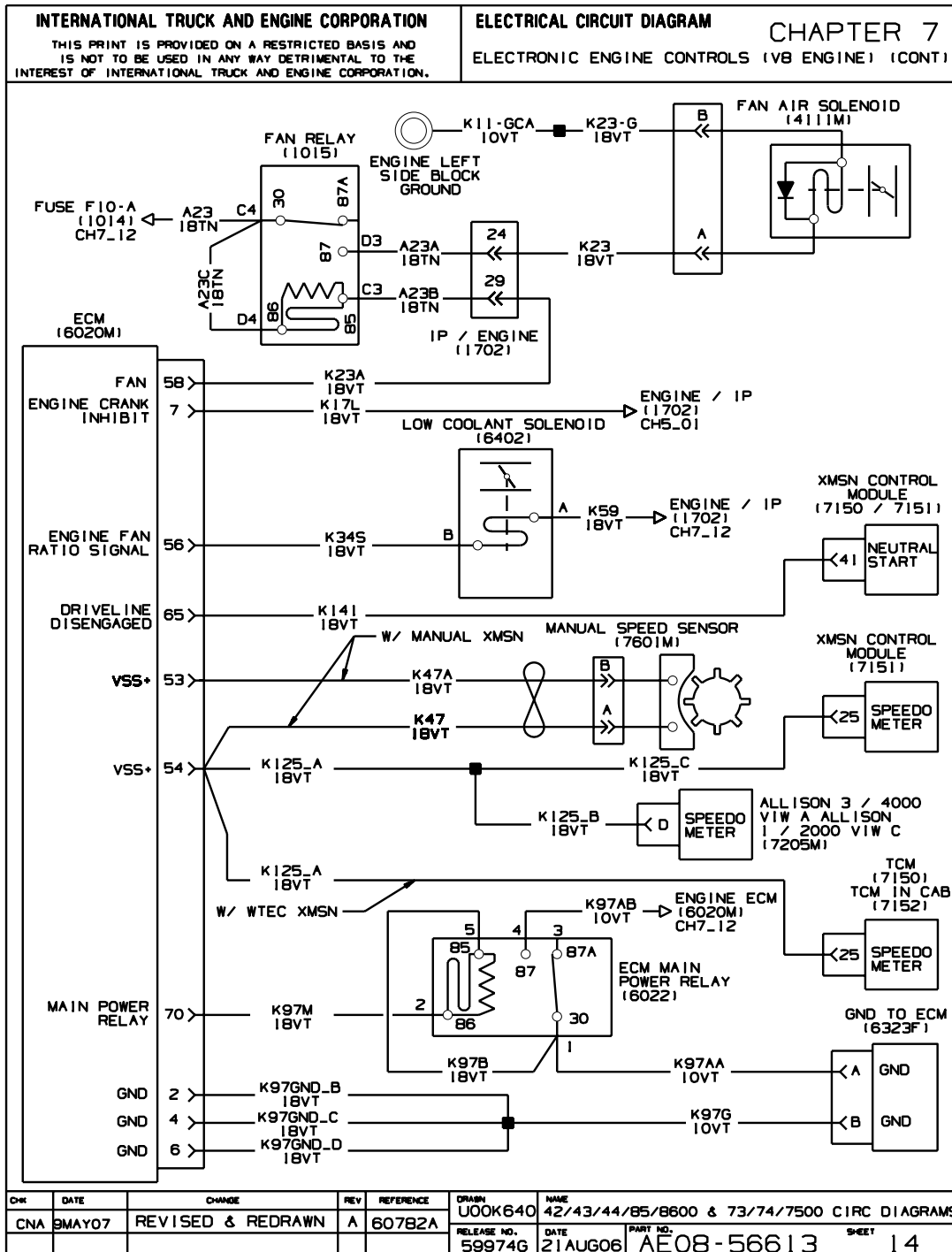


Figure 103 Electronic Engine Controls — V8 Engines

7.15. CRUISE CONTROL, P. 15

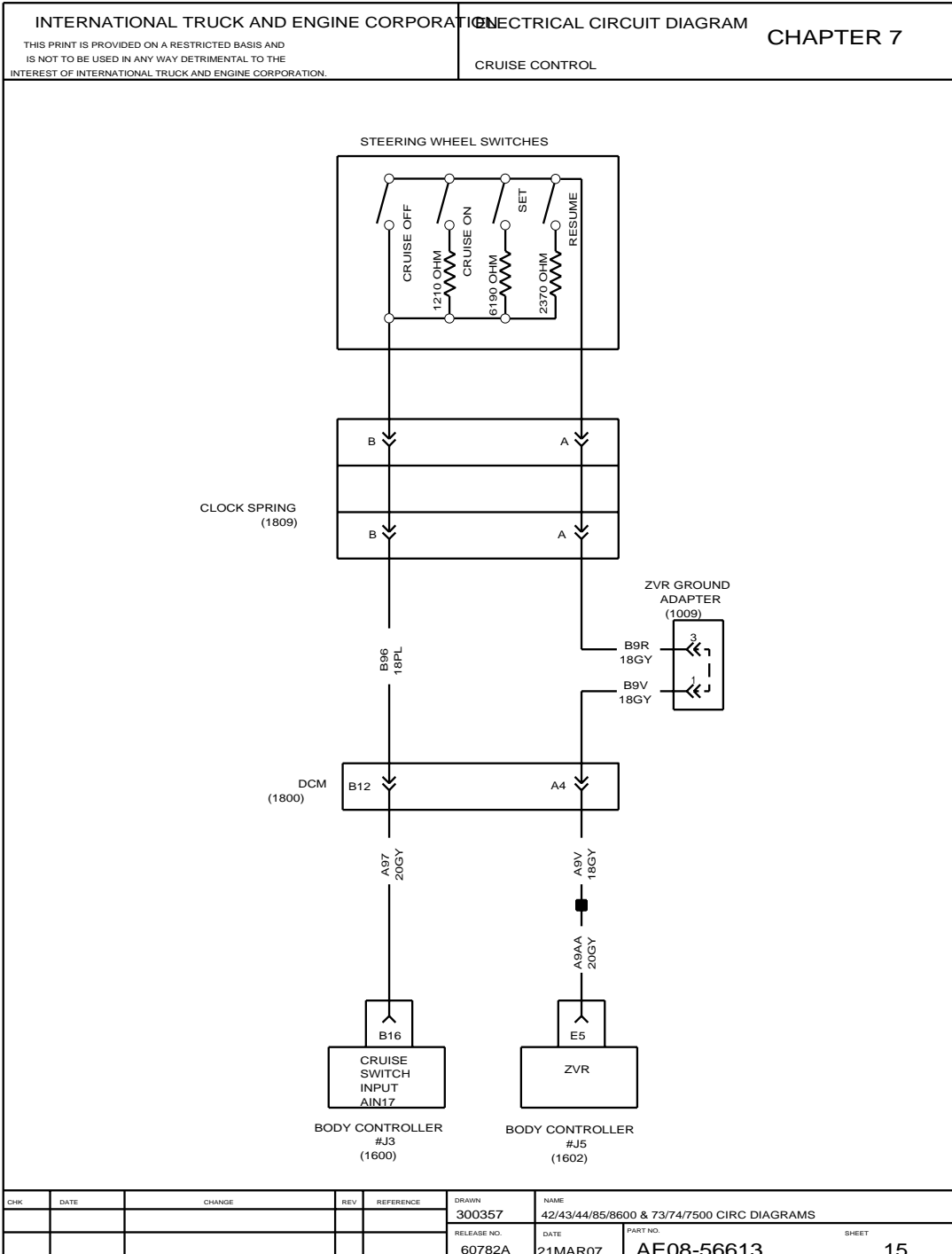


Figure 104 Cruise Control

8. GAUGES WITH AND WITHOUT INTERNAL WARNING LIGHT (CHAPTER 8)

8.1. IP/GAUGES, P. 1

INTERNATIONAL TRUCK AND ENGINE CORPORATION THIS PRINT IS PROVIDED ON A RESTRICTED BASIS AND IS NOT TO BE USED IN ANY WAY DETRIMENTAL TO THE INTEREST OF INTERNATIONAL TRUCK AND ENGINE CORPORATION.		ELECTRICAL CIRCUIT DIAGRAM CHAPTER 8 IP / GAUGES																																																					
INSTRUMENT PANEL GAUGES																																																							
<table border="1" style="width: 100%; border-collapse: collapse;"> <thead> <tr> <th style="width: 15%;">GAUGE</th> <th style="width: 10%;">WARN LIGHT</th> <th style="width: 55%;">SIGNAL PATH</th> <th style="width: 20%;">SENSOR LOCATION</th> </tr> </thead> <tbody> <tr> <td>RPM (TACH)</td> <td>NO</td> <td>ENGINE CTRLR / DRIVE TRAIN J1939 / CLUSTER</td> <td>ENGINE</td> </tr> <tr> <td>MPH/KPH (SPD)</td> <td>NO</td> <td>ENGINE CTRLR / DRIVE TRAIN J1939 / CLUSTER</td> <td>TRANSMISSION</td> </tr> <tr> <td>FUEL</td> <td>YES</td> <td>SYSTEM CTRLR / DRIVE TRAIN J1939 / CLUSTER</td> <td>FUEL TANK</td> </tr> <tr> <td>VOLT</td> <td>YES</td> <td>SYSTEM CTRLR / DRIVE TRAIN J1939 / CLUSTER</td> <td>-</td> </tr> <tr> <td>AIR 1 (PRES)</td> <td>YES</td> <td>SYSTEM CTRLR / DRIVE TRAIN J1939 / CLUSTER</td> <td>INSIDE CAB-DASH PNL</td> </tr> <tr> <td>AIR 2 (PRES)</td> <td>YES</td> <td>SYSTEM CTRLR / DRIVE TRAIN J1939 / CLUSTER</td> <td>STEERING COL AREA</td> </tr> <tr> <td>WATER (TEMP)</td> <td>YES</td> <td>ENGINE CTRLR / DRIVE TRAIN J1939 / CLUSTER</td> <td>ENGINE</td> </tr> <tr> <td>ENG OIL (TEMP)</td> <td>YES</td> <td>ENGINE CTRLR / DRIVE TRAIN J1939 / CLUSTER</td> <td>ENGINE</td> </tr> <tr> <td>OIL (PRES)</td> <td>YES</td> <td>ENGINE CTRLR / DRIVE TRAIN J1939 / CLUSTER</td> <td>ENGINE</td> </tr> <tr> <td>TRANS (TEMP)</td> <td>YES</td> <td>SYSTEM CTRLR / DRIVE TRAIN J1939 / CLUSTER</td> <td>TRANSMISSION</td> </tr> <tr> <td>AIR APPLICATION</td> <td>NO</td> <td>SYSTEM CTRLR / DRIVE TRAIN J1939 / CLUSTER</td> <td>FWD CHASSIS</td> </tr> <tr> <td>REAR AXLE TEMP</td> <td>YES</td> <td>SYSTEM CTRLR / DRIVE TRAIN J1939 / CLUSTER</td> <td>AXLE</td> </tr> </tbody> </table>				GAUGE	WARN LIGHT	SIGNAL PATH	SENSOR LOCATION	RPM (TACH)	NO	ENGINE CTRLR / DRIVE TRAIN J1939 / CLUSTER	ENGINE	MPH/KPH (SPD)	NO	ENGINE CTRLR / DRIVE TRAIN J1939 / CLUSTER	TRANSMISSION	FUEL	YES	SYSTEM CTRLR / DRIVE TRAIN J1939 / CLUSTER	FUEL TANK	VOLT	YES	SYSTEM CTRLR / DRIVE TRAIN J1939 / CLUSTER	-	AIR 1 (PRES)	YES	SYSTEM CTRLR / DRIVE TRAIN J1939 / CLUSTER	INSIDE CAB-DASH PNL	AIR 2 (PRES)	YES	SYSTEM CTRLR / DRIVE TRAIN J1939 / CLUSTER	STEERING COL AREA	WATER (TEMP)	YES	ENGINE CTRLR / DRIVE TRAIN J1939 / CLUSTER	ENGINE	ENG OIL (TEMP)	YES	ENGINE CTRLR / DRIVE TRAIN J1939 / CLUSTER	ENGINE	OIL (PRES)	YES	ENGINE CTRLR / DRIVE TRAIN J1939 / CLUSTER	ENGINE	TRANS (TEMP)	YES	SYSTEM CTRLR / DRIVE TRAIN J1939 / CLUSTER	TRANSMISSION	AIR APPLICATION	NO	SYSTEM CTRLR / DRIVE TRAIN J1939 / CLUSTER	FWD CHASSIS	REAR AXLE TEMP	YES	SYSTEM CTRLR / DRIVE TRAIN J1939 / CLUSTER	AXLE
GAUGE	WARN LIGHT	SIGNAL PATH	SENSOR LOCATION																																																				
RPM (TACH)	NO	ENGINE CTRLR / DRIVE TRAIN J1939 / CLUSTER	ENGINE																																																				
MPH/KPH (SPD)	NO	ENGINE CTRLR / DRIVE TRAIN J1939 / CLUSTER	TRANSMISSION																																																				
FUEL	YES	SYSTEM CTRLR / DRIVE TRAIN J1939 / CLUSTER	FUEL TANK																																																				
VOLT	YES	SYSTEM CTRLR / DRIVE TRAIN J1939 / CLUSTER	-																																																				
AIR 1 (PRES)	YES	SYSTEM CTRLR / DRIVE TRAIN J1939 / CLUSTER	INSIDE CAB-DASH PNL																																																				
AIR 2 (PRES)	YES	SYSTEM CTRLR / DRIVE TRAIN J1939 / CLUSTER	STEERING COL AREA																																																				
WATER (TEMP)	YES	ENGINE CTRLR / DRIVE TRAIN J1939 / CLUSTER	ENGINE																																																				
ENG OIL (TEMP)	YES	ENGINE CTRLR / DRIVE TRAIN J1939 / CLUSTER	ENGINE																																																				
OIL (PRES)	YES	ENGINE CTRLR / DRIVE TRAIN J1939 / CLUSTER	ENGINE																																																				
TRANS (TEMP)	YES	SYSTEM CTRLR / DRIVE TRAIN J1939 / CLUSTER	TRANSMISSION																																																				
AIR APPLICATION	NO	SYSTEM CTRLR / DRIVE TRAIN J1939 / CLUSTER	FWD CHASSIS																																																				
REAR AXLE TEMP	YES	SYSTEM CTRLR / DRIVE TRAIN J1939 / CLUSTER	AXLE																																																				
NOTES: 1. WARNING LIGHTS ARE PART OF THE GAUGES AND LOCATED IN THE GAUGE																																																							
DWG	DATE	CHANGE	REV	REFERENCE	DRAWN	NAME																																																	
CNA	05MAY07	REVISED & REDRAWN	A	60782A	U00K640	42/43/44/85/8600 & 73/74/7500 CIRC DIAGRAMS																																																	
					RELEASE NO.	DATE																																																	
					59974G	20APR06																																																	
					PART NO.	SHEET																																																	
					AE08-56614	01																																																	

Figure 105 IP/Gauges

8.2. WARNING LIGHT LIST, P. 2

INTERNATIONAL TRUCK AND ENGINE CORPORATION		ELECTRICAL CIRCUIT DIAGRAM CHAPTER 8	
THIS PRINT IS PROVIDED ON A RESTRICTED BASIS AND IS NOT TO BE USED IN ANY WAY DETRIMENTAL TO THE INTEREST OF INTERNATIONAL TRUCK AND ENGINE CORPORATION.		WARNING LIGHTS LIST	
IP WARNING LIGHTS			
WARNING LIGHT TITLE	SIGNAL PATH	SENSOR LOCATION	
RANGE INHIBITED	TRANS CTRLR / DRIVE TRAIN J1939 / CLUSTER		
FUEL FILTER	SYSTEM CTRLR / DRIVE TRAIN J1939 / CLUSTER	FUEL FILTER	
ENGINE (YELLOW LED)	ENGINE CTRLR / DRIVE TRAIN J1939 / CLUSTER		
ENGINE (RED LED)	ENGINE CTRLR / DRIVE TRAIN J1939 / CLUSTER		
BRAKE PRESSURE (O)	SYSTEM CTRLR / DRIVE TRAIN J1939 / CLUSTER	SWITCH	
BRAKE FLUID	SYSTEM CTRLR / DRIVE TRAIN J1939 / CLUSTER	BRK RESERVOIR	
TRAC CTRL	TRUCK ABS CTRLR / DRIVE TRAIN J1939 / CLUSTER		
CHECK TRANS	TRANS CTRLR / DRIVE TRAIN J1939 / CLUSTER		
TRAILER ABS	TRLR ABS CTRLR / DRIVE TRAIN J1939 / CLUSTER		
WASHER FLUID (LEFT TURN)	SYSTEM CTRLR / DRIVE TRAIN J1939 / CLUSTER	WASHER BOTTLE TURN SIG SW	
AIR BAG	DISCRETE NOT ON DATA BUS		
WATER IN FUEL	SYSTEM CTRLR / DRIVE TRAIN J1939 / CLUSTER	FUEL FILTER	
COOLANT LEVEL	ENGINE CTRLR / DRIVE TRAIN J1939 / CLUSTER	SURGE TANK	
CHECK ELECT SYS	SYSTEM CTRLR / DRIVE TRAIN J1939 / CLUSTER		
PARK (P)	SYSTEM CTRLR / DRIVE TRAIN J1939 / CLUSTER	SWITCH	
CRUISE	SYSTEM CTRLR / DRIVE TRAIN J1939 / CLUSTER		
ABS	TRUCK CTRLR / DRIVE TRAIN J1939 / CLUSTER		
(RIGHT TURN)	SYSTEM CTRLR / DRIVE TRAIN J1939 / CLUSTER		
WAIT TO START	ENGINE CTRLR / DRIVE TRAIN J1939 / CLUSTER		
FASTEN BELTS	SYSTEM CTRLR / DRIVE TRAIN J1939 / CLUSTER		
(HIGH BEAM IND)	SYSTEM CTRLR / DRIVE TRAIN J1939 / CLUSTER		
COLD AMB PROTEC	SYSTEM CTRLR / DRIVE TRAIN J1939 / CLUSTER		
RETARD OVERHEAT	TRANS CTRLR / DRIVE TRAIN J1939 / CLUSTER	TRANSMISSION	
CHECK AC	SYSTEM CTRLR / DRIVE TRAIN J1939 / CLUSTER		
AUTO NEUTRAL	DISCRETE NOT ON DATA BUS	SWITCH	
ALTERNATOR	DISCRETE NOT ON DATA BUS		
PTO/THROTTLE	SYSTEM CTRLR / DRIVE TRAIN J1939 / CLUSTER		
OPTIMIZED IDLE	DISCRETE NOT ON DATA BUS		
SNOW VALVE	DISCRETE NOT ON DATA BUS	SNOW VALVE	
FR AXLE DIFF LOCK	DISCRETE NOT ON DATA BUS	FWD RR AXLE	
RR AXLE DIFF LOCK	DISCRETE NOT ON DATA BUS	RR RR AXLE	
MESSAGE WAIT	DISCRETE NOT ON DATA BUS		
PTO	DISCRETE NOT ON DATA BUS		
CONVERTER TEMP	DISCRETE NOT ON DATA BUS		
TOUCH LOC RELEASE	DISCRETE NOT ON DATA BUS		
PARK FLUID	SYSTEM CTRLR/DRIVE TRAIN		
FR AXLE ENGAGED	DISCRETE NOT ON DATA BUS	TRANSFER CASE	
CHR	DATE	CHANGE	REV REFERENCE
CNA	05MAY07	REVISED & REDRAWN	A 60782A
DRASH U00K640		NAME 42/43/44/85/8600 & 73/74/7500 CIRC DIAGRAMS	
RELEASE NO.	DATE	PART NO.	SHEET
59974G	20APR06	AE08-56614	02

Figure 106 Warning Light List

8.3. WARNING LIGHTS CONTROLLED BY ENGINE, TRANSMISSION, ABS CONTROLLER, P. 3

INTERNATIONAL TRUCK AND ENGINE CORPORATION THIS PRINT IS PROVIDED ON A RESTRICTED BASIS AND IS NOT TO BE USED IN ANY WAY DETRIMENTAL TO THE INTEREST OF INTERNATIONAL TRUCK AND ENGINE CORPORATION.				ELECTRICAL CIRCUIT DIAGRAM CHAPTER 8 WARNING LIGHTS CONTROLLED BY ENGINE, TRANSMISSION, ABS CONTROLLER			
THE FOLLOWING WARNING LIGHTS ARE CONTROLLED BY THE ENGINE, TRANSMISSION, OR ABS CONTROLLER OVER THE DATA BUS AND DO NOT HAVE INDEPENDENT CIRCUITS THAT CAN BE OR NEEDS TO BE SHOWN: DO NOT SHIFT ENGINE (YELLOW LENS) ENGINE (RED LENS) TRAC CTRL CHECK TRANS TRAILER ABS CHECK ELECTR SYS ABS WAIT TO START RETARD OVERHEAT AUTO NEUTRAL OPTIMIZED IDLE							
CHK	DATE	CHANGE	REV	REFERENCE	DRASH	NAME	
CNA	05MAY07	REVISED & REDRAWN	A	60782A	U00K640	42/43/44/85/8600 & 73/74/7500 CIRC DIAGRAMS	
					RELEASE NO.	DATE	
					59974G	20APR06	
					PART NO.	SHEET	
					AE08-56614	03	

Figure 107 Warning Lights Controlled by Engine, Transmission, ABS Controller

8.4. ENGINE OIL PRESSURE AND TEMP, SPEEDOMETER, TACHOMETER, VOLTMETER AND WATER TEMP GAUGE CIRCUITS, P. 4

INTERNATIONAL TRUCK AND ENGINE CORPORATION THIS PRINT IS PROVIDED ON A RESTRICTED BASIS AND IS NOT TO BE USED IN ANY WAY DETRIMENTAL TO THE INTEREST OF INTERNATIONAL TRUCK AND ENGINE CORPORATION.				ELECTRICAL CIRCUIT DIAGRAM CHAPTER 8 ENG OIL PRESS & TEMP, SPEEDOMETER, TACH, VOLTMETER & WATER TEMP GAUGE CIRCUITS			
REFER TO CONSOLIDATED ENGINE / VEHICLE CONTROLLER DIAGNOSTICS MANUAL EGES-175 (DT466E), EGES-190 (T444E), FOR CIRCUIT DIAGRAMS SHOWING INPUT CIRCUIT FOR THE FOLLOWING DATALINK DRIVEN SYSTEM: ENGINE OIL PRESSURE GAUGE ENGINE OIL TEMPERATURE GAUGE SPEEDOMETER GAUGE TACHOMETER GAUGE WATER TEMPERATURE GAUGE							
CHK	DATE	CHANGE	REV	REFERENCE	DRAWN	NAME	
CNA	05MAY07	REVISED & REDRAWN	A	60782A	U00K640	42/43/44/85/8600 & 73/74/7500 CIRC DIAGRAMS	
					RELEASE NO.	DATE	
					59974G	20APR06	
					PART NO.	SHEET	
					AE08-56614	04	

Figure 108 Engine Oil Pressure and Temp, Speedometer, Tachometer, Voltmeter and Water Temp Gauge Circuits

8.5. IP/GAUGES AND WARNING LIGHTS — GAUGE CLUSTER, P. 5

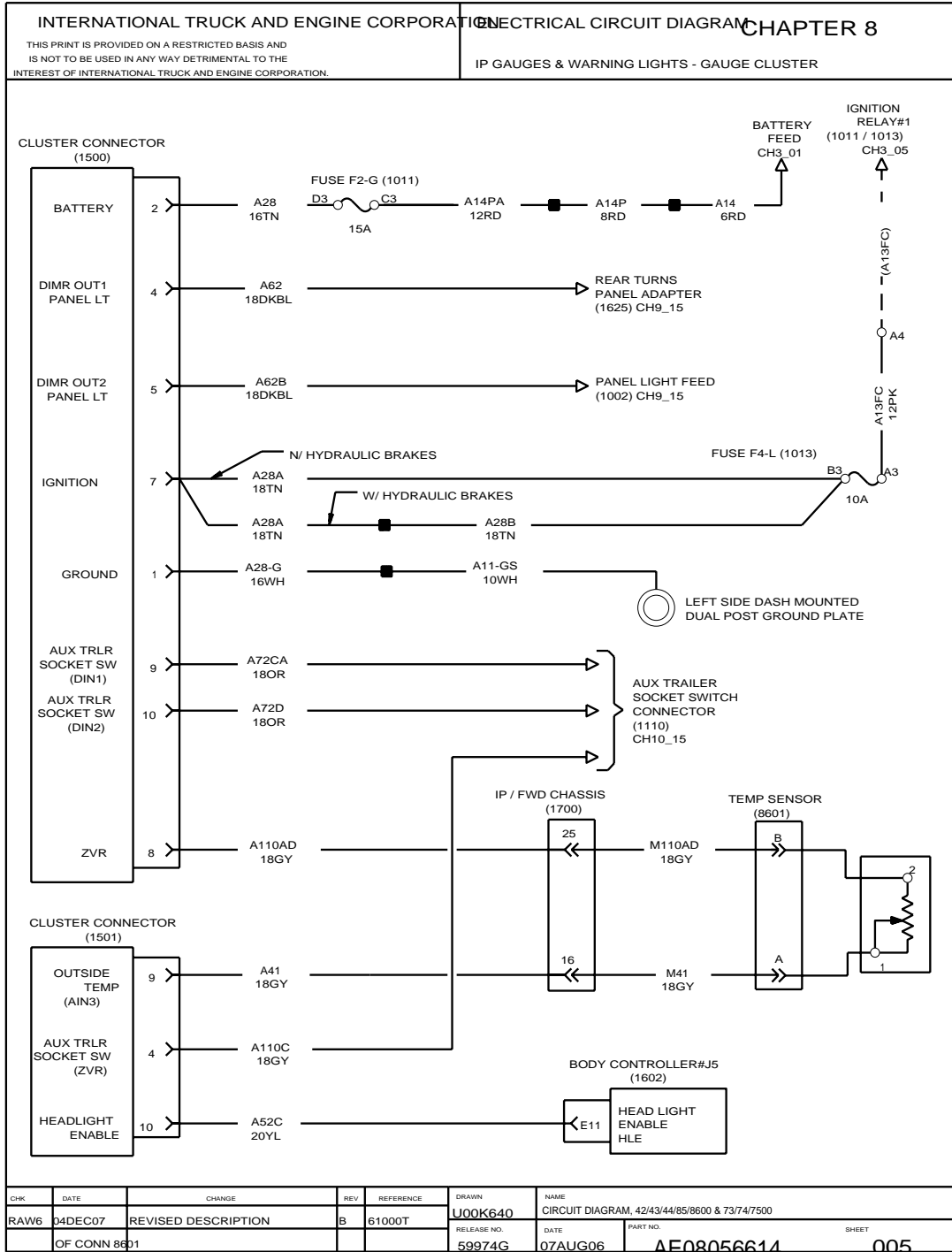


Figure 109 IP/Gauges and Warning Lights — Gauge Cluster

8.6. AIR PRESSURE INPUT CIRCUIT, P. 6

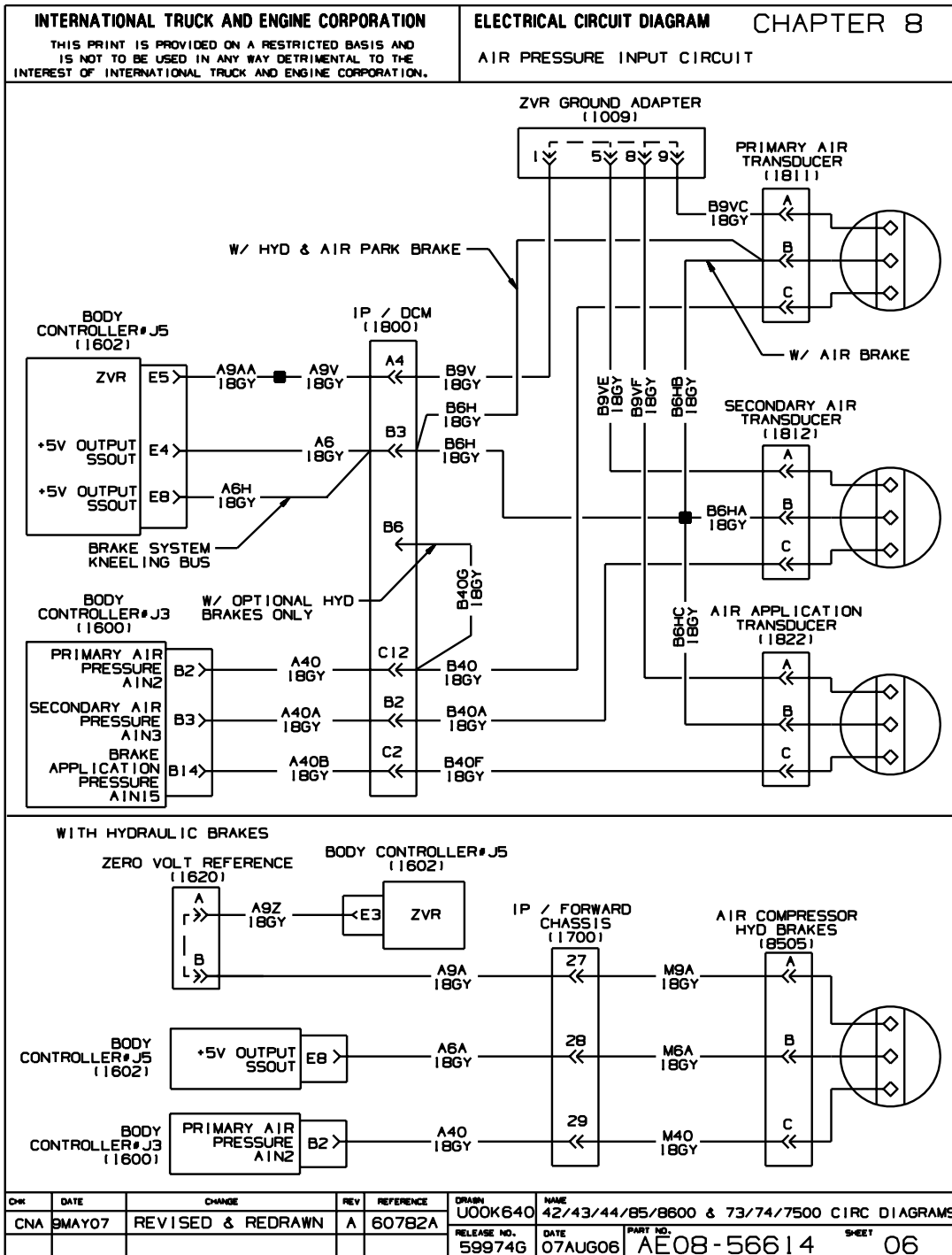


Figure 110 Air Pressure Input Circuit

8.7. AXLE TEMPERATURE, GAUGE INPUT CIRCUIT, P. 7

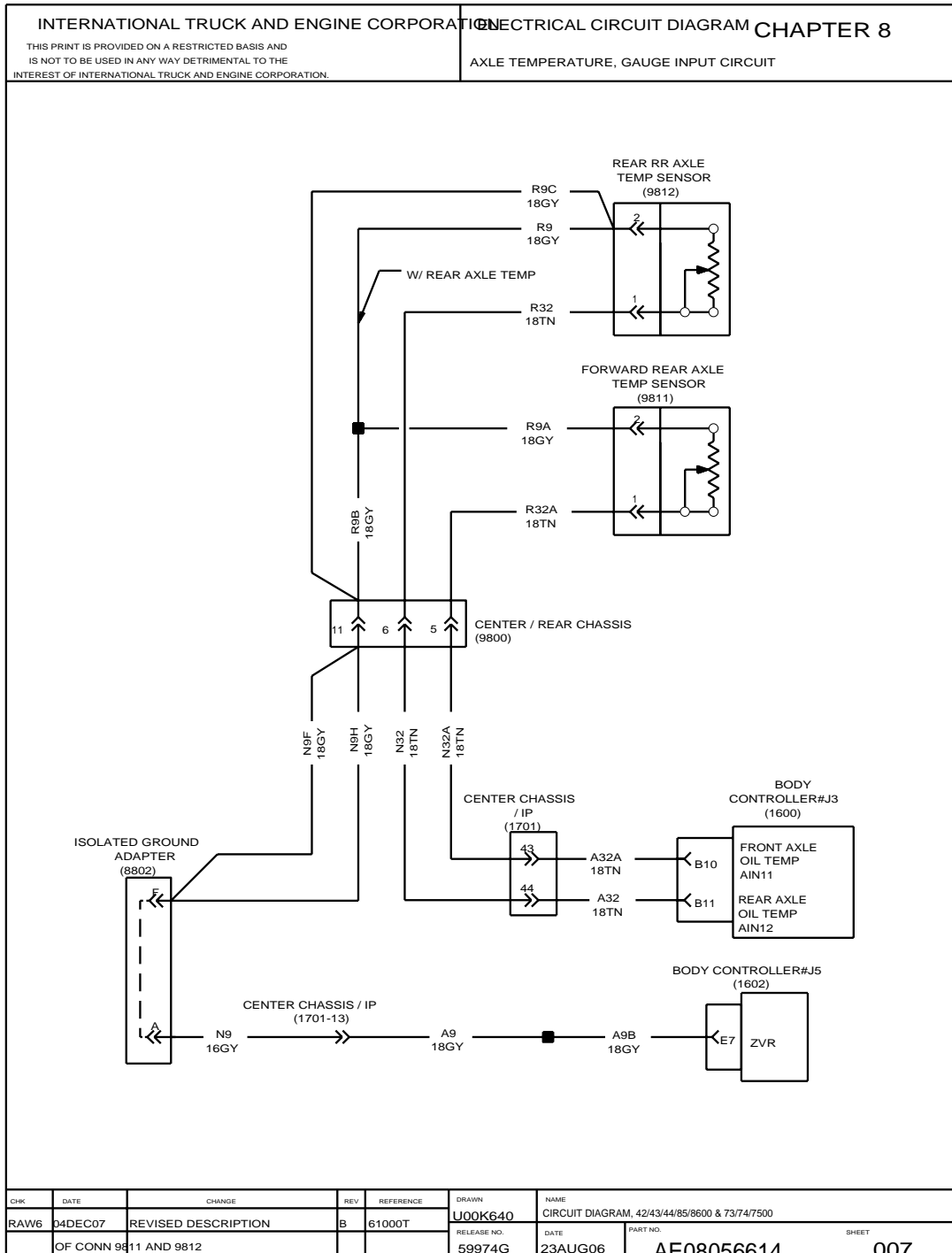


Figure 111 Axle Temperature, Gauge Input Circuit

8.8. FUEL GAUGE CIRCUITRY (SINGLE TANK), P. 8

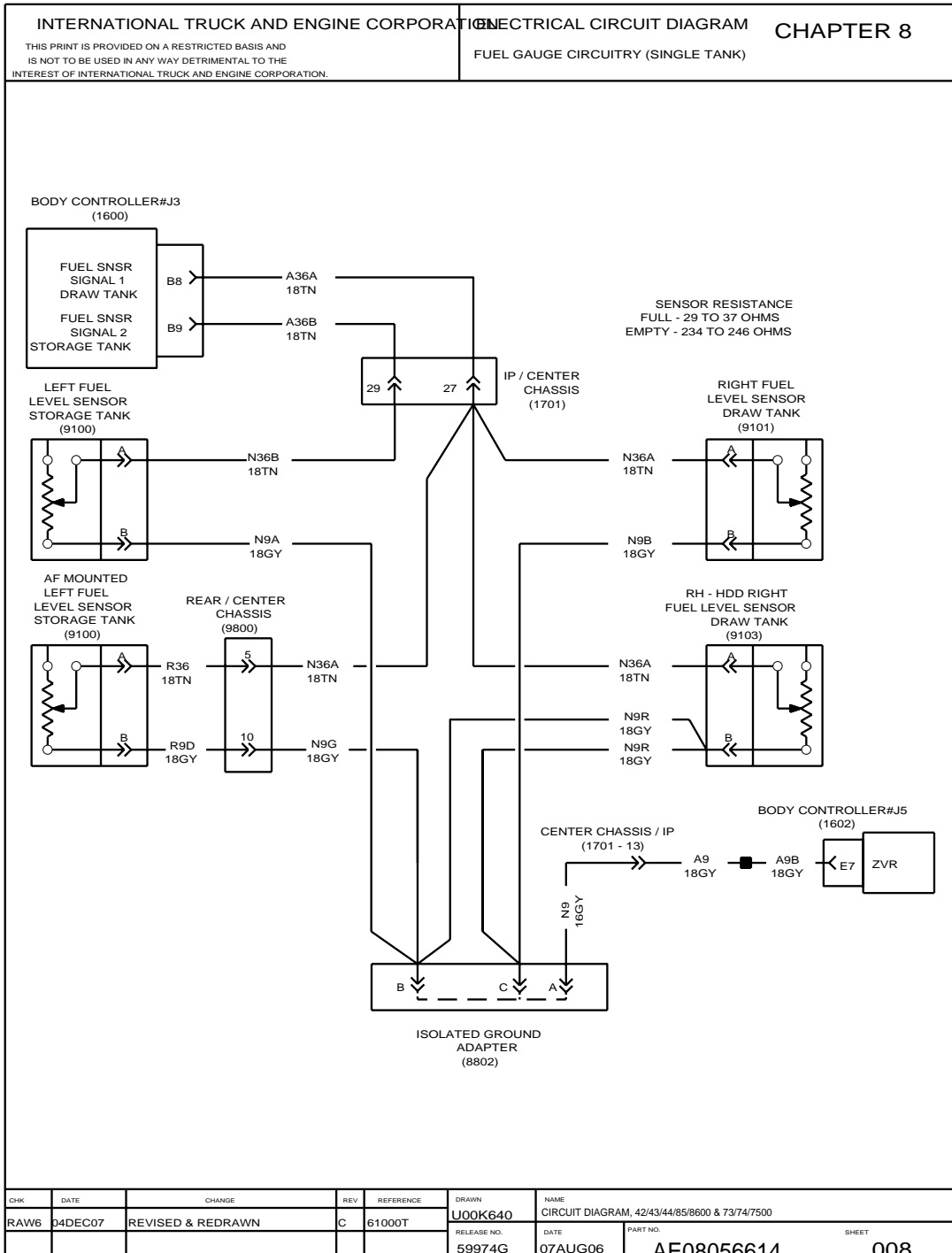


Figure 112 Fuel Gauge Circuitry (Single Tank)

8.9. DIFFERENTIAL LOCK WARNING LAMPS, P. 9

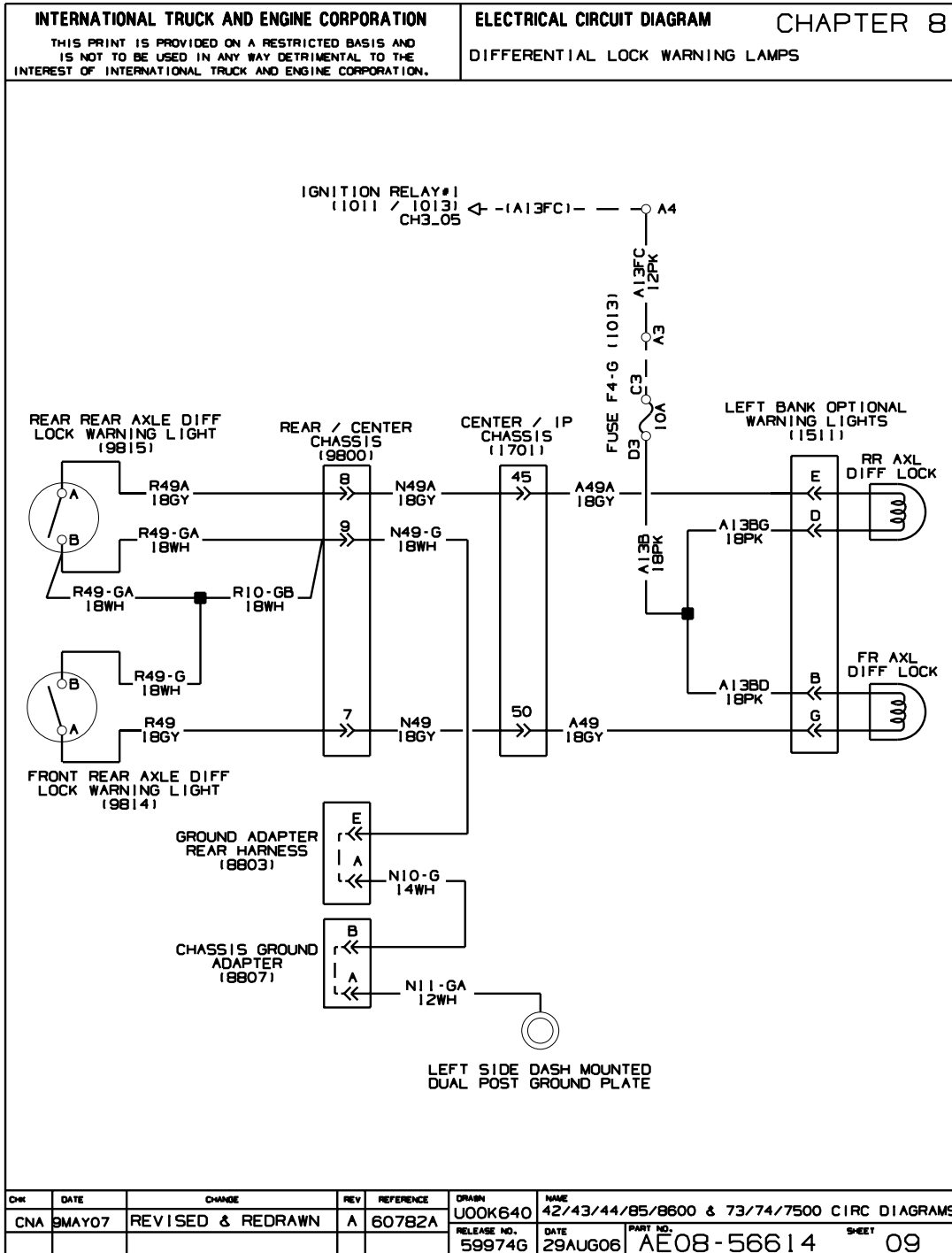


Figure 113 Differential Lock Warning Lamps

8.11. GAUGES AND WARNING LIGHTS — AMMETER, P. 11

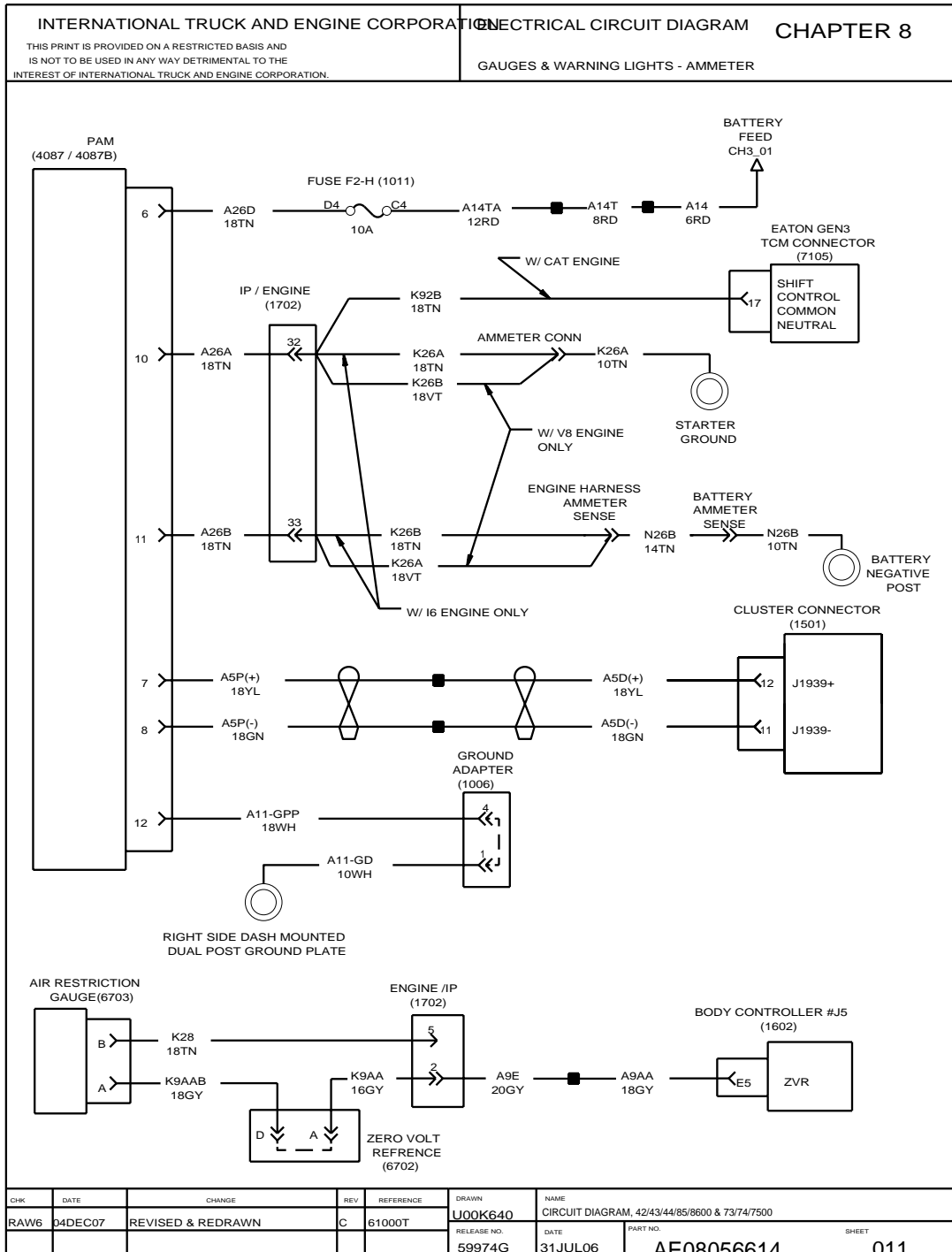


Figure 115 Gauges and Warning Lights — Ammeter

8.12. ENGINE OIL TEMPERATURE GAUGE WITH CATERPILLAR, P. 12

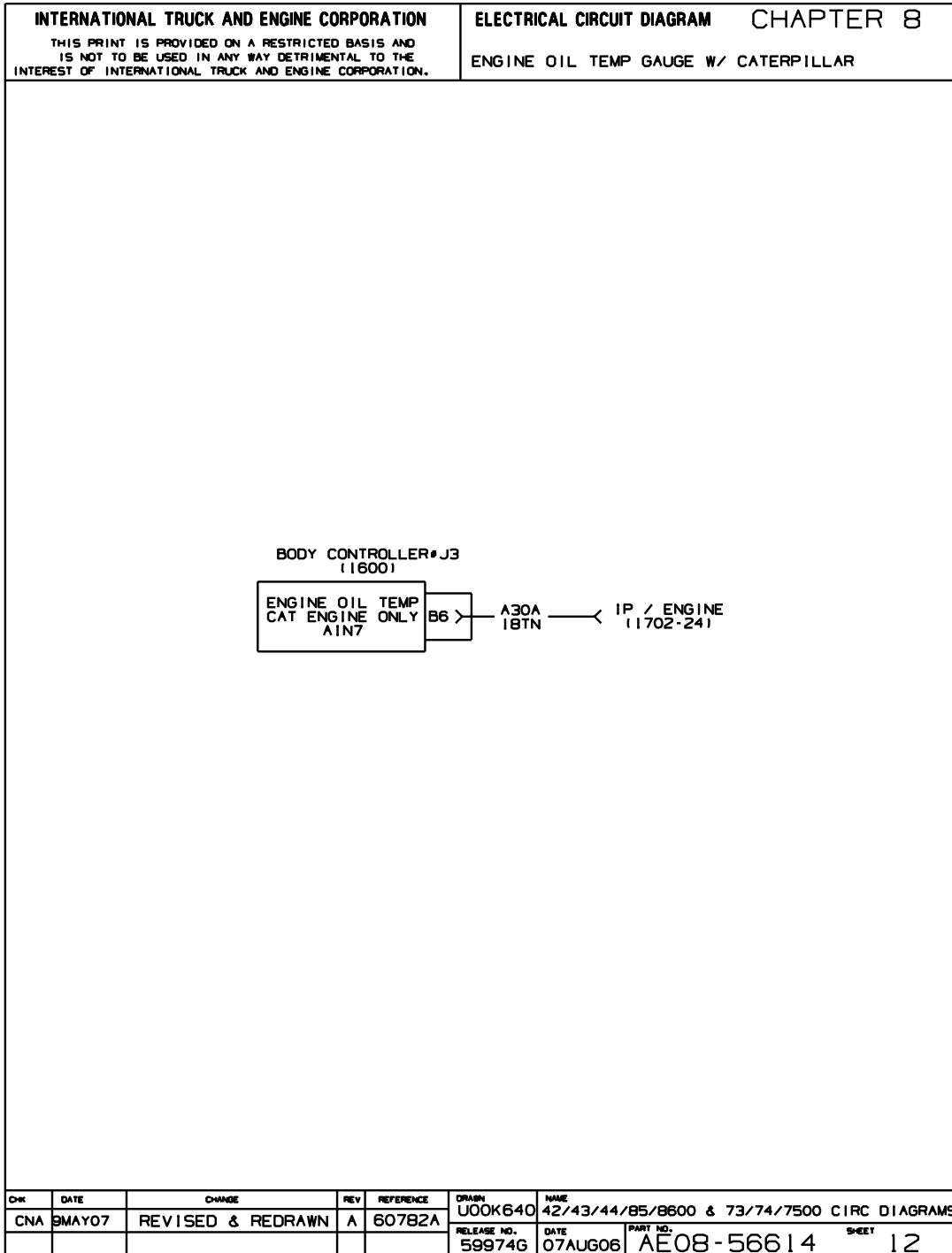


Figure 116 Engine Oil Temperature Gauge With Caterpillar

8.13. FRONT AXLE ENGAGEMENT LAMP, P. 13

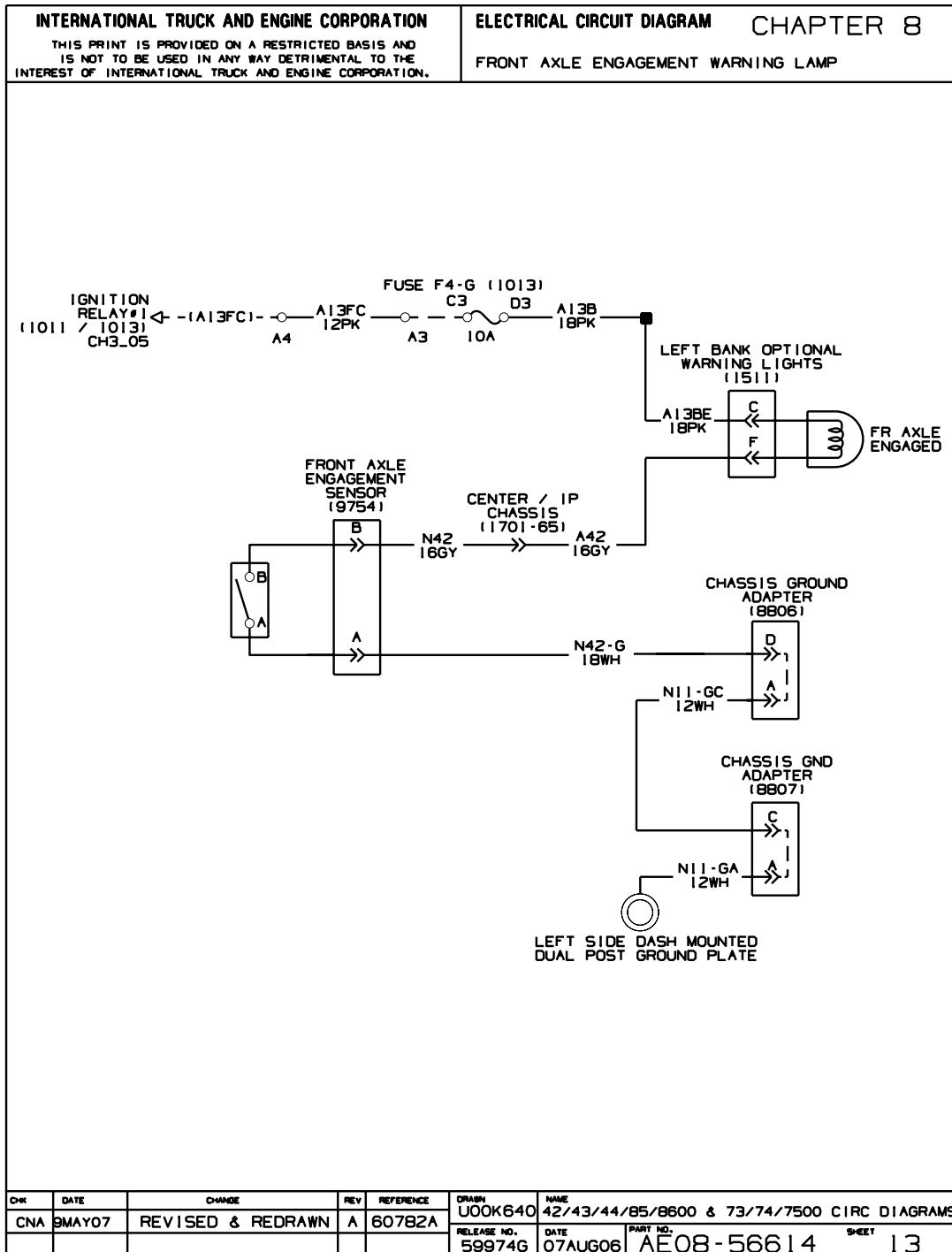


Figure 117 Front Axle Engagement Lamp

8.14. WARNING LIGHTS — OPTIONAL, P. 14

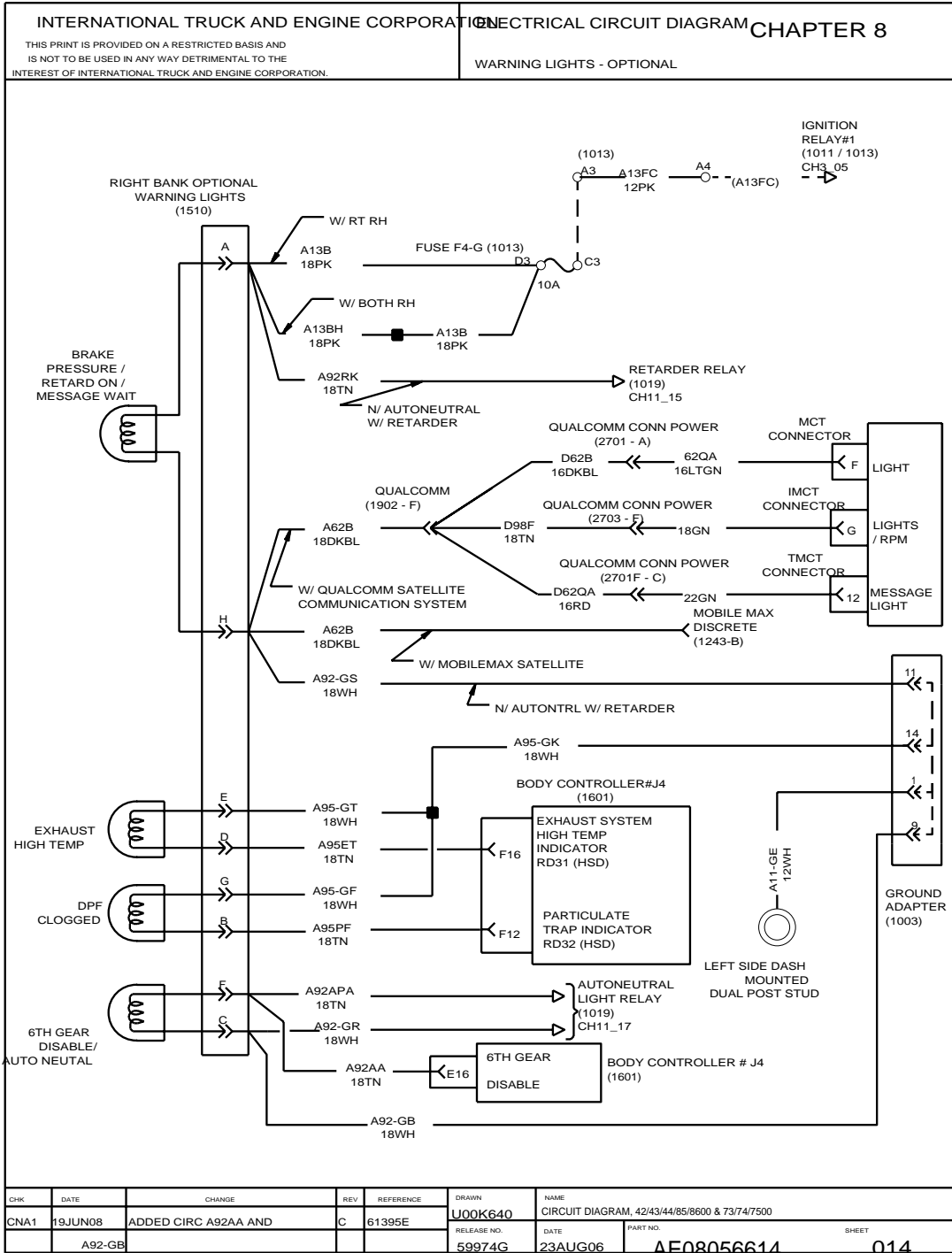


Figure 118 Warning Lights — Optional

8.16. LOAD MONITORING, P. 16

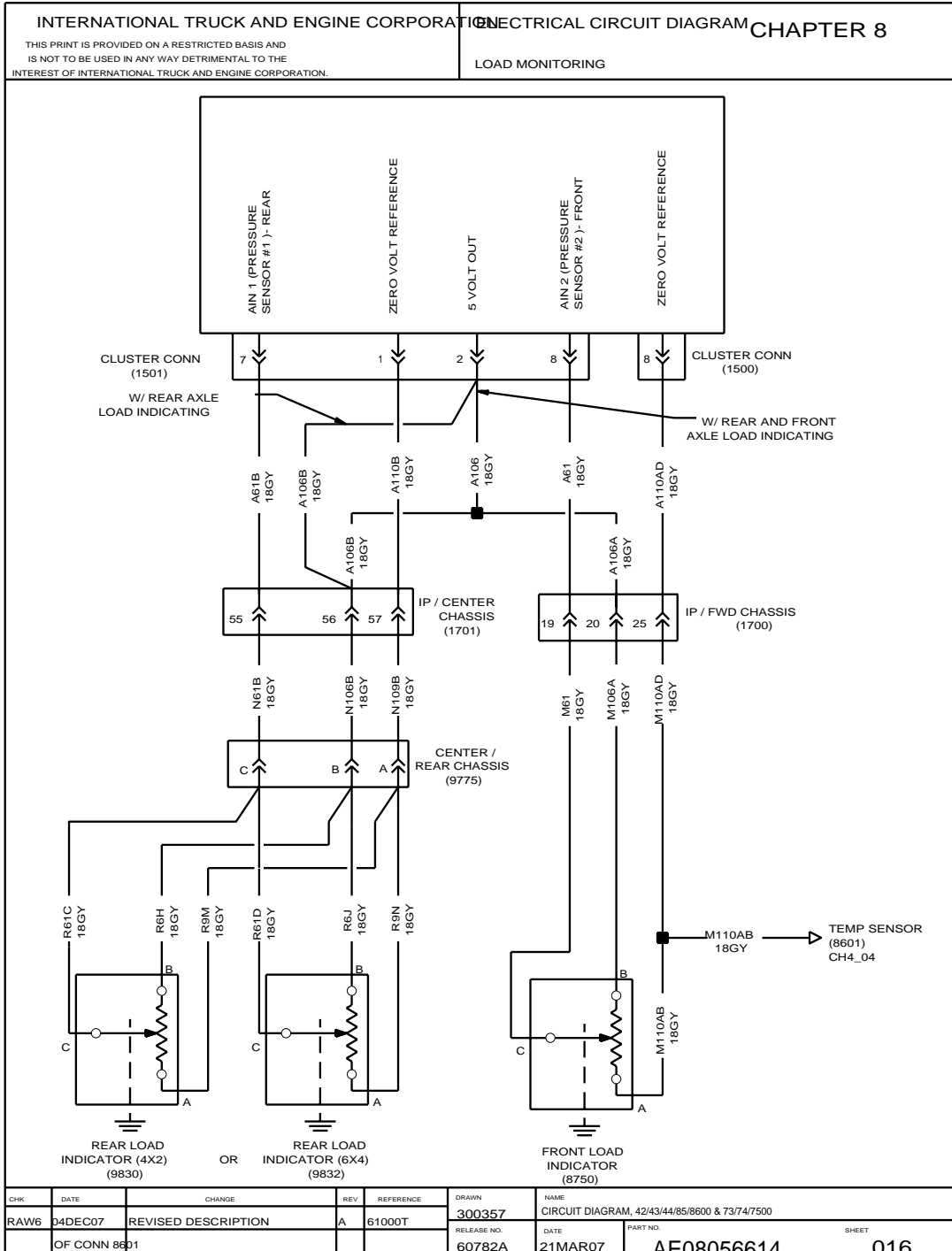


Figure 120 Load Monitoring

9. LIGHTS (CHAPTER 9)

9.1. BACKUP LIGHTS N/ ALLISON TRANSMISSION, P. 1

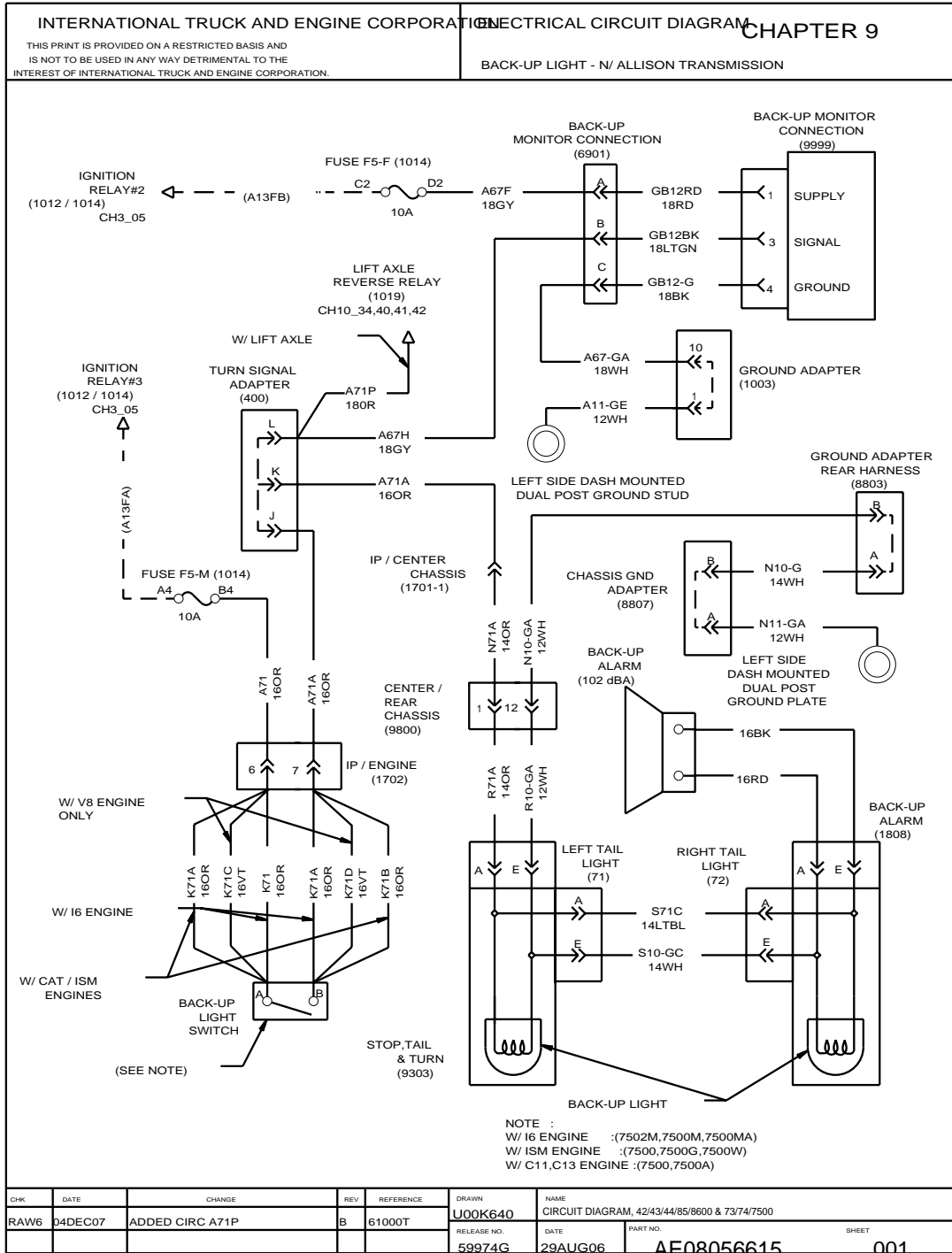


Figure 121 BackUp Lights N/ Allison Transmission

9.2. BACKUP LIGHTS W/ ALLISON TRANSMISSION, P. 2

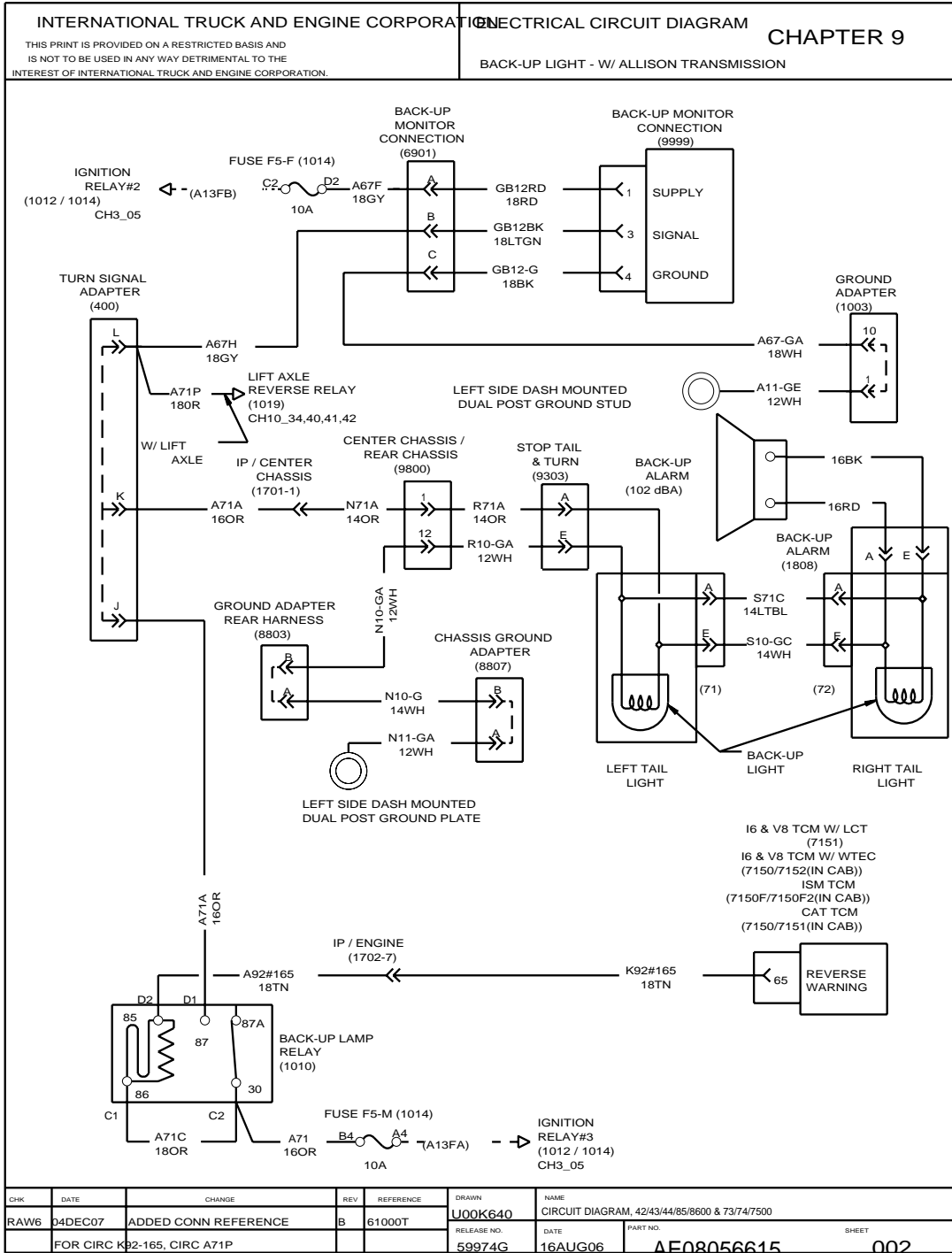


Figure 122 BackUp Lights W/ Allison Transmission

9.3. LIGHT SYSTEMS — CLEARANCE, MARKER, PARK, TAIL, TURN AND STOP LIGHTS, P. 3

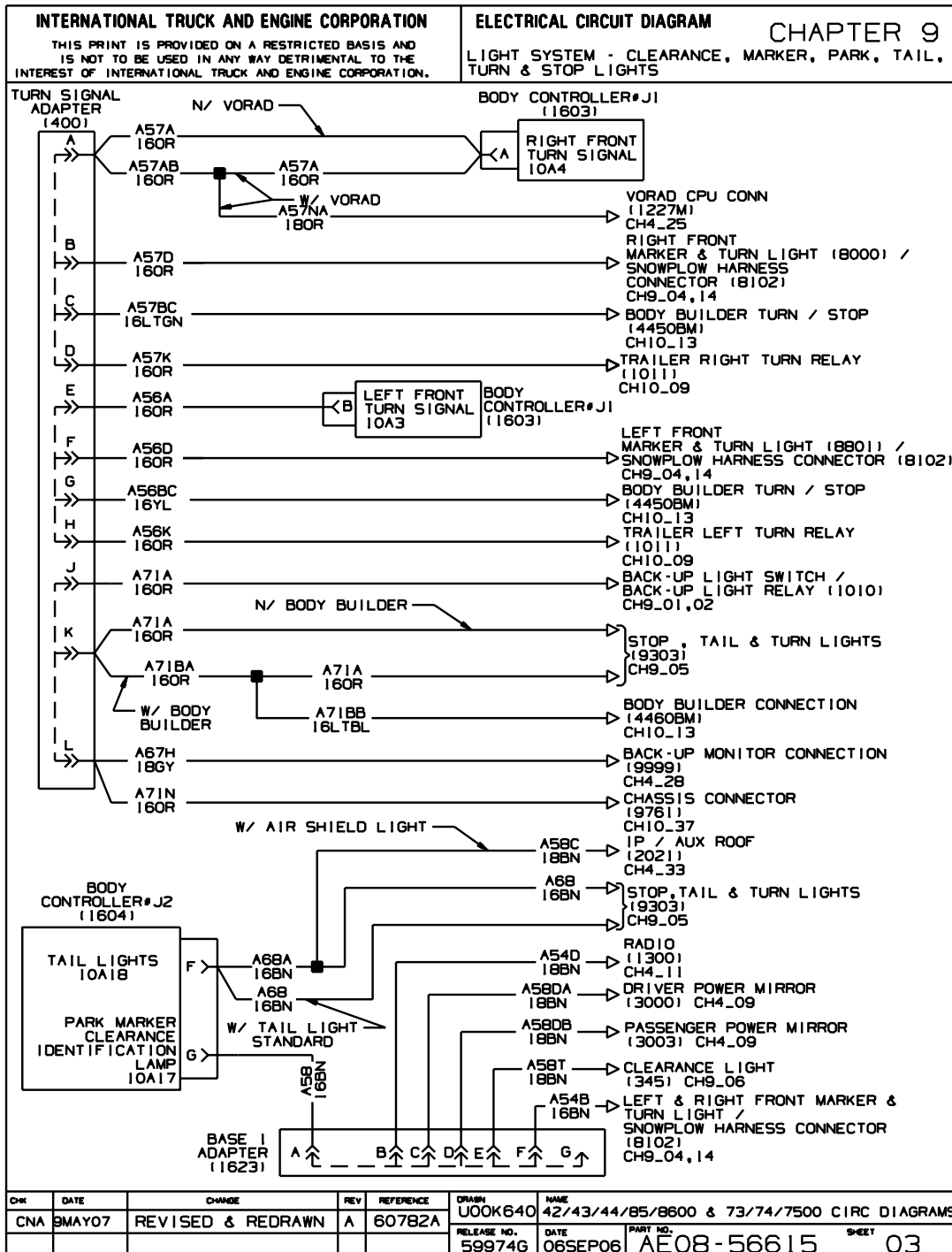


Figure 123 Light Systems — Clearance, Marker, Park, Tail, Turn and Stop Lights

9.5. LIGHT SYSTEMS — CLEARANCE, MARKER, PARK, TAIL, TURN AND STOP LIGHTS (CONT.), P. 5

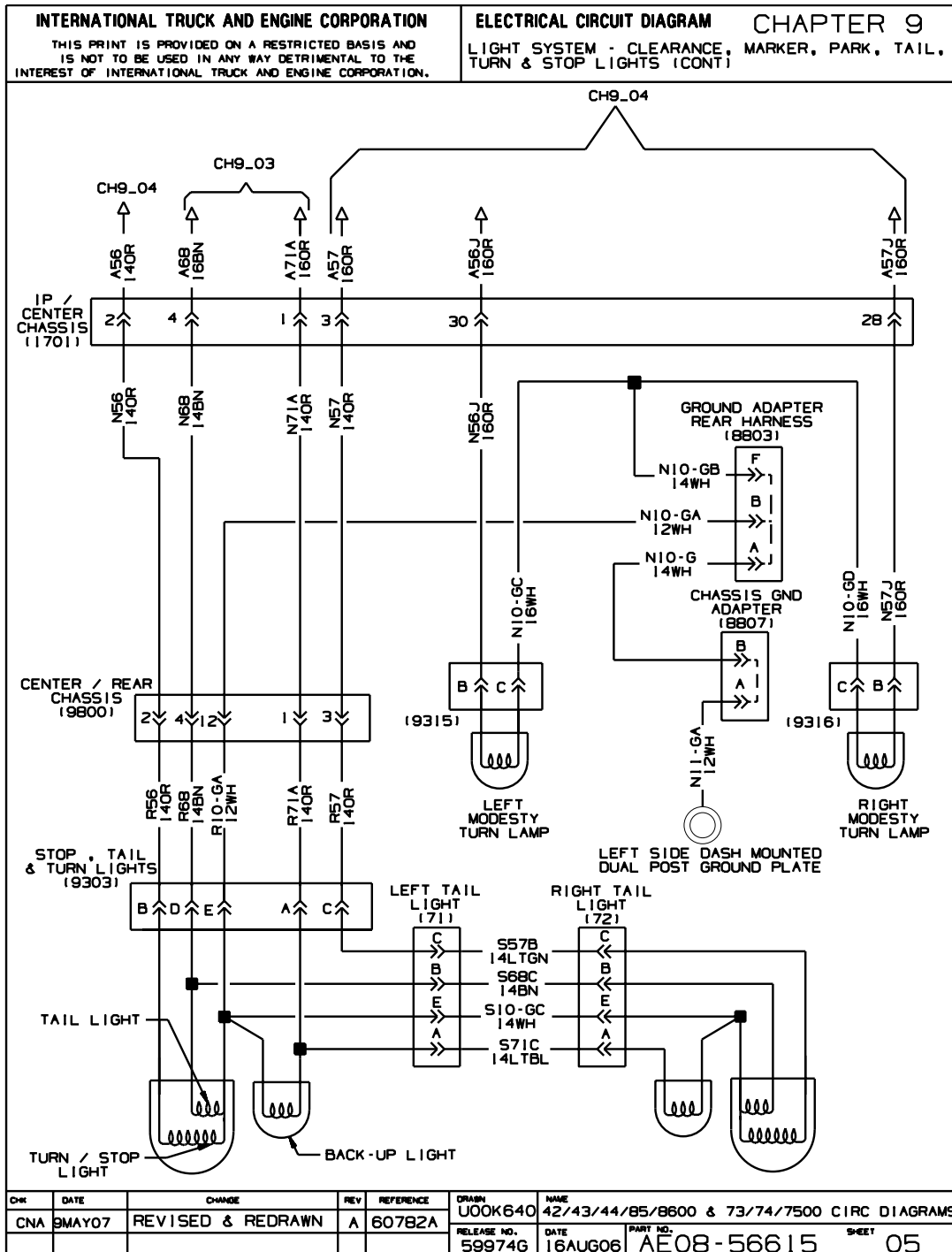


Figure 125 Light Systems — Clearance, Marker, Park, Tail, Turn and Stop Lights (Cont.)

9.6. LIGHT SYSTEMS — CLEARANCE, MARKER, PARK, TAIL, TURN AND STOP LIGHTS (CONT.), P. 6

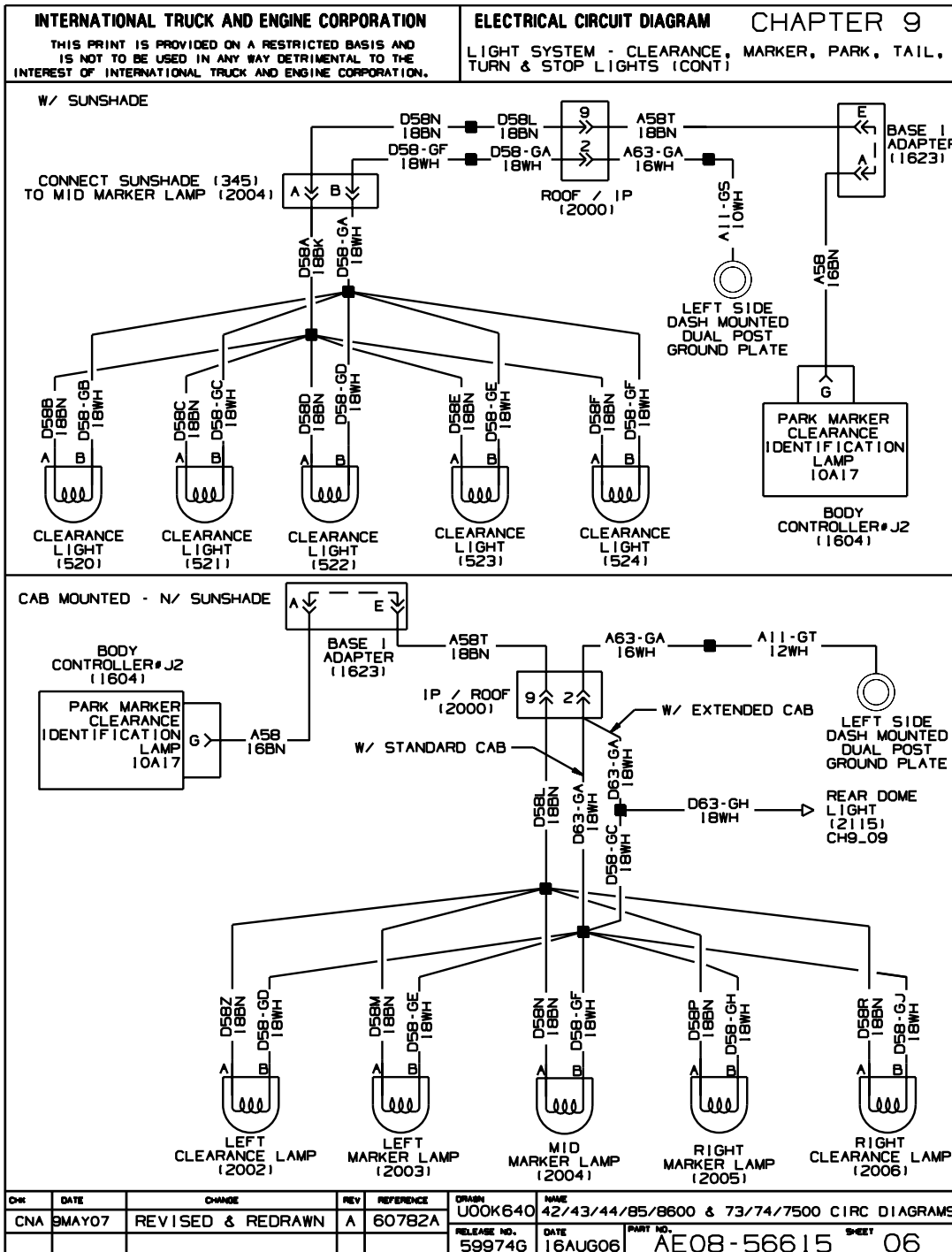


Figure 126 Light Systems — Clearance, Marker, Park, Tail, Turn and Stop Lights (Cont.)

9.7. LIGHT SYSTEMS — TURN SIGNAL AND STOP SWITCHES, P. 7

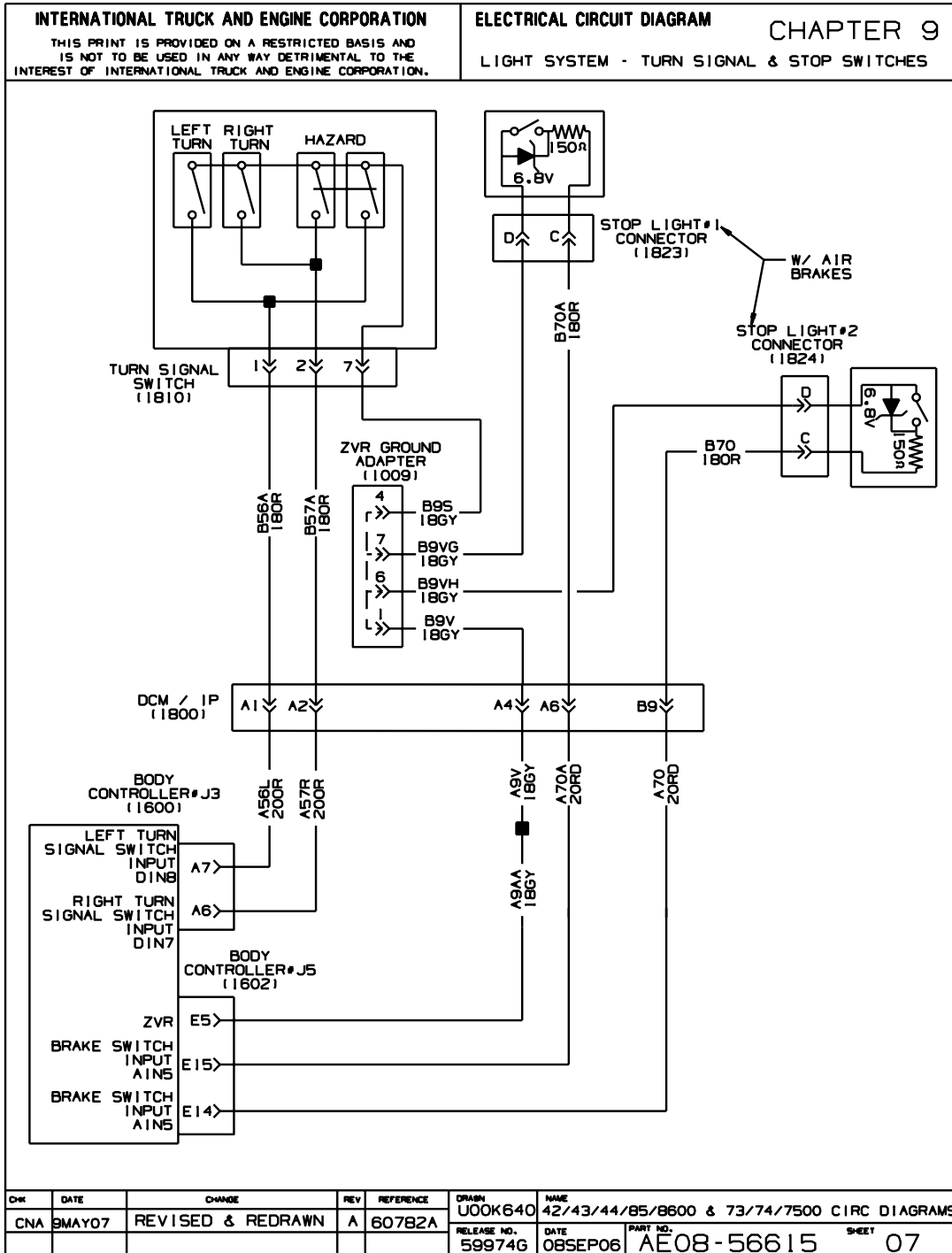


Figure 127 Light Systems — Turn Signal and Stop Switches

9.8. DOME LIGHT, MAP LIGHT, P. 8

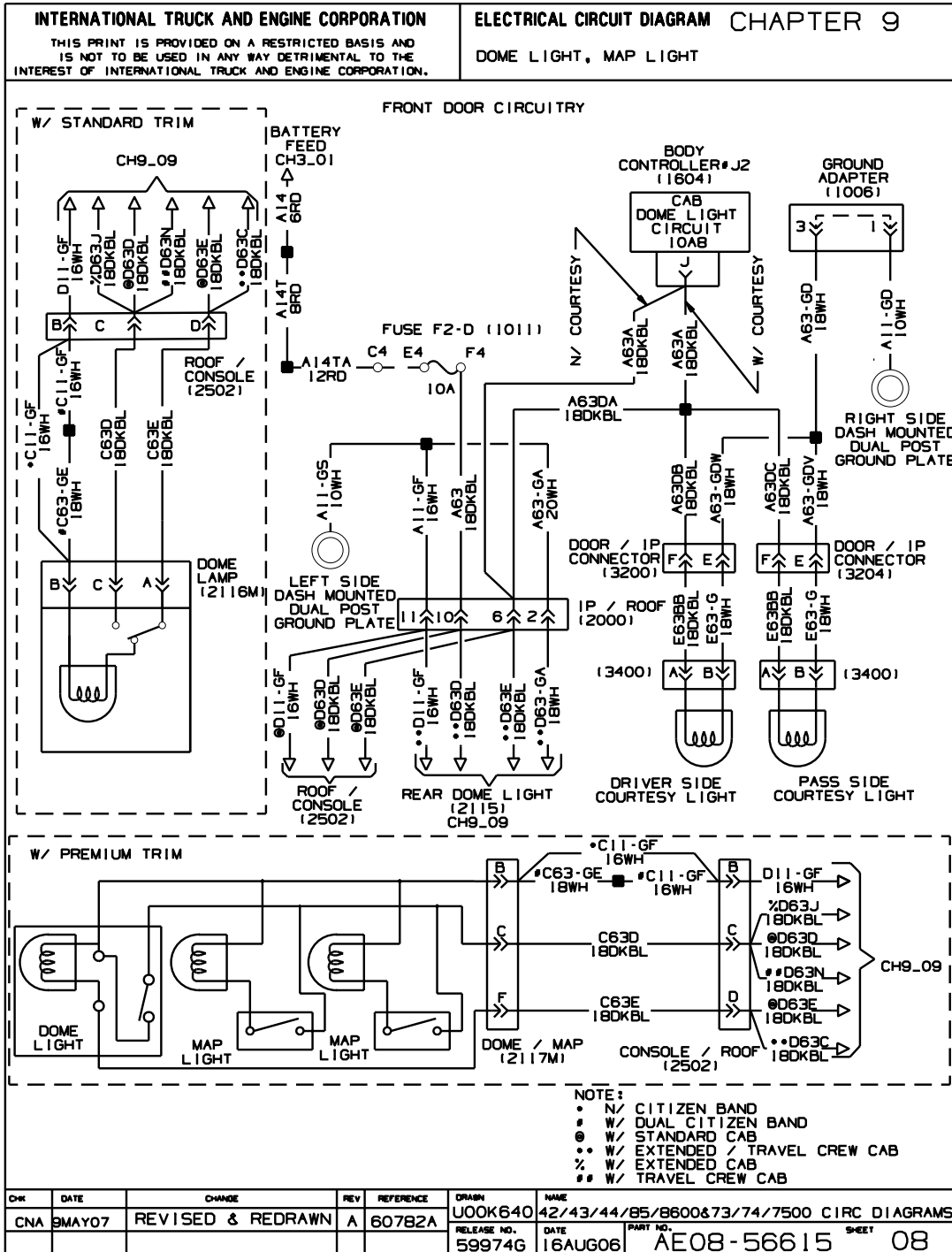


Figure 128 Dome Light, Map Light

9.9. DOME LIGHT, MAP LIGHT (CONT.), P. 9

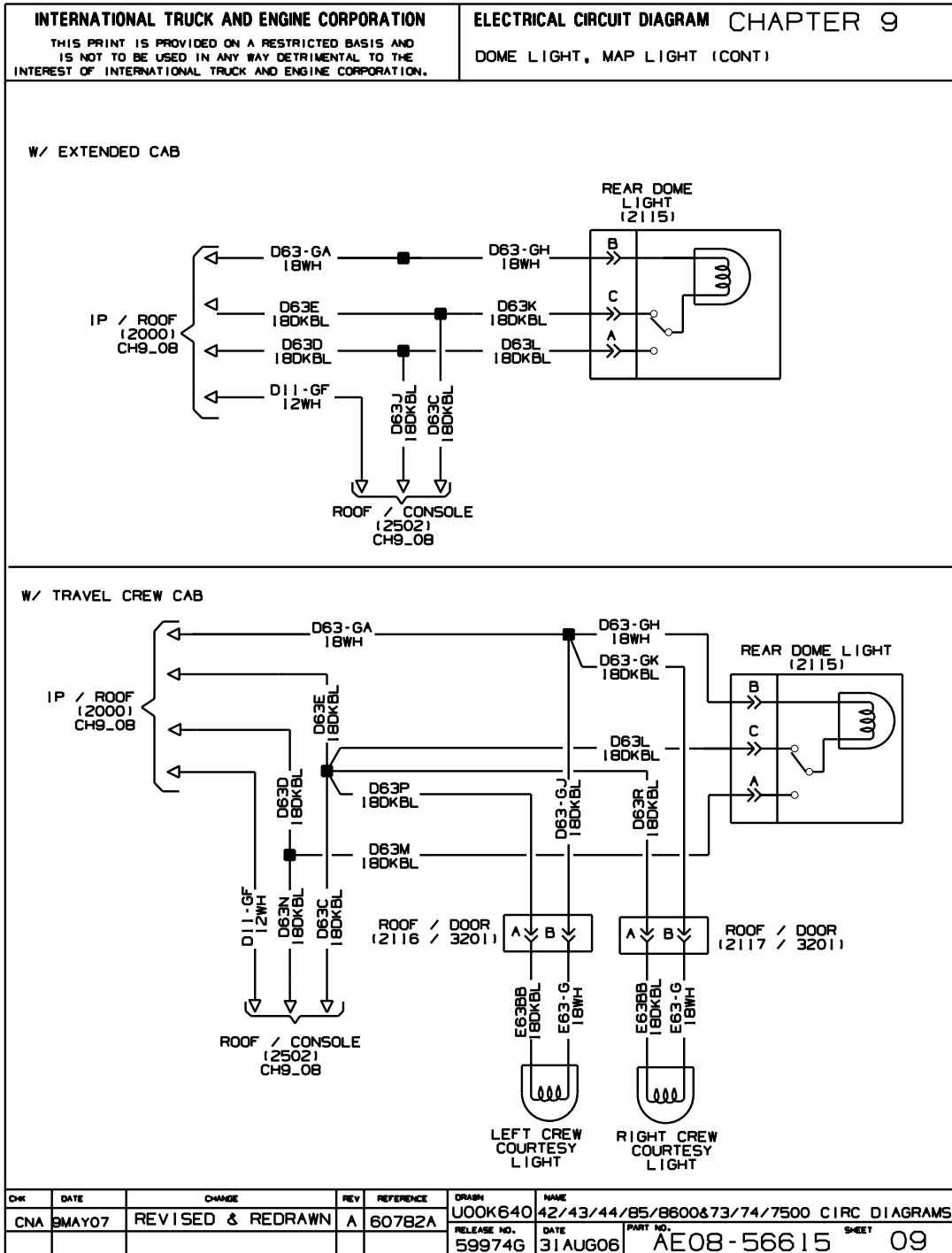


Figure 129 Dome Light, Map Light (Cont.)

9.10. DOME LIGHT, MAP LIGHT (CONT.), P. 10

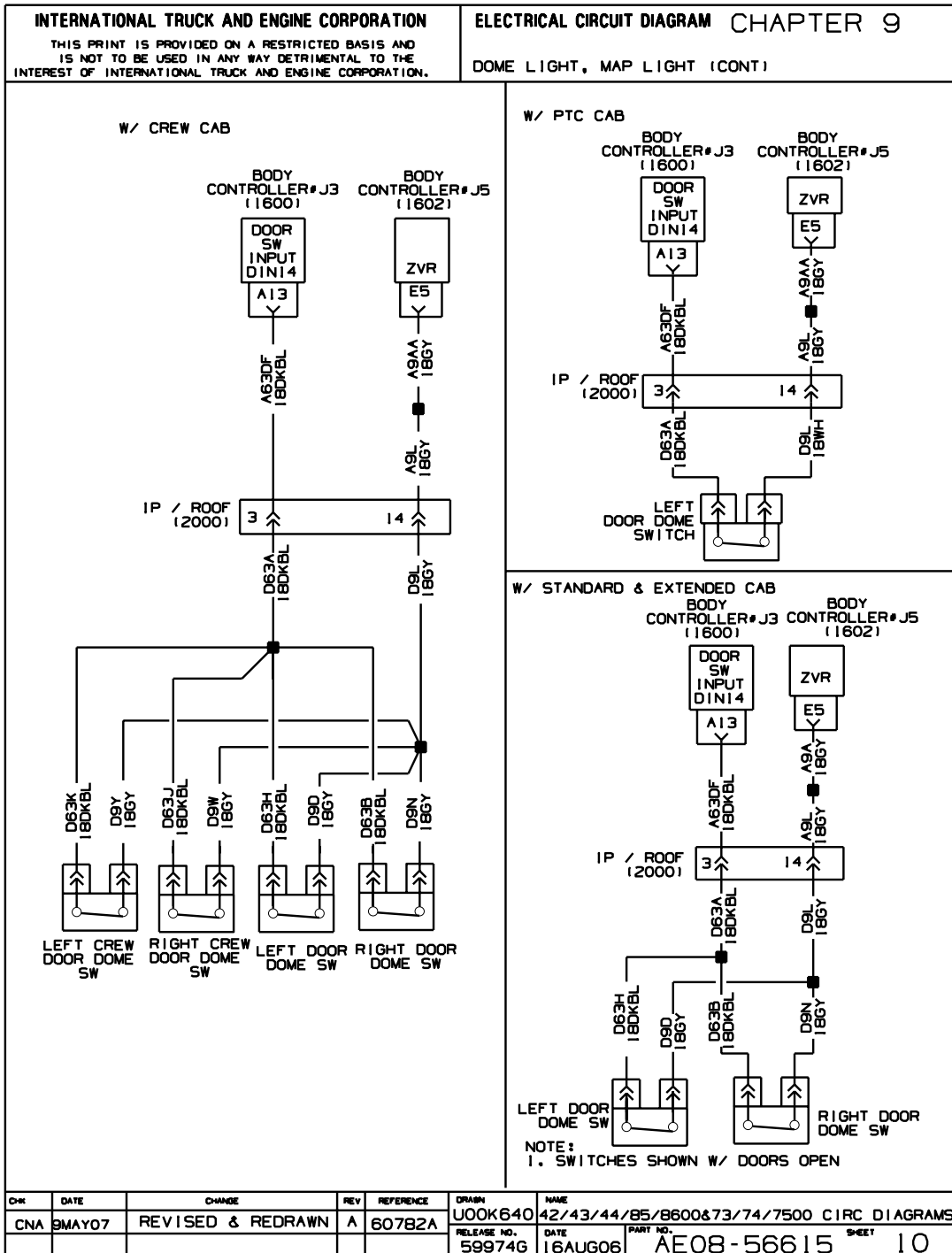


Figure 130 Dome Light, Map Light (Cont.)

9.11. FOG LIGHT AND WORK LIGHT, P. 11

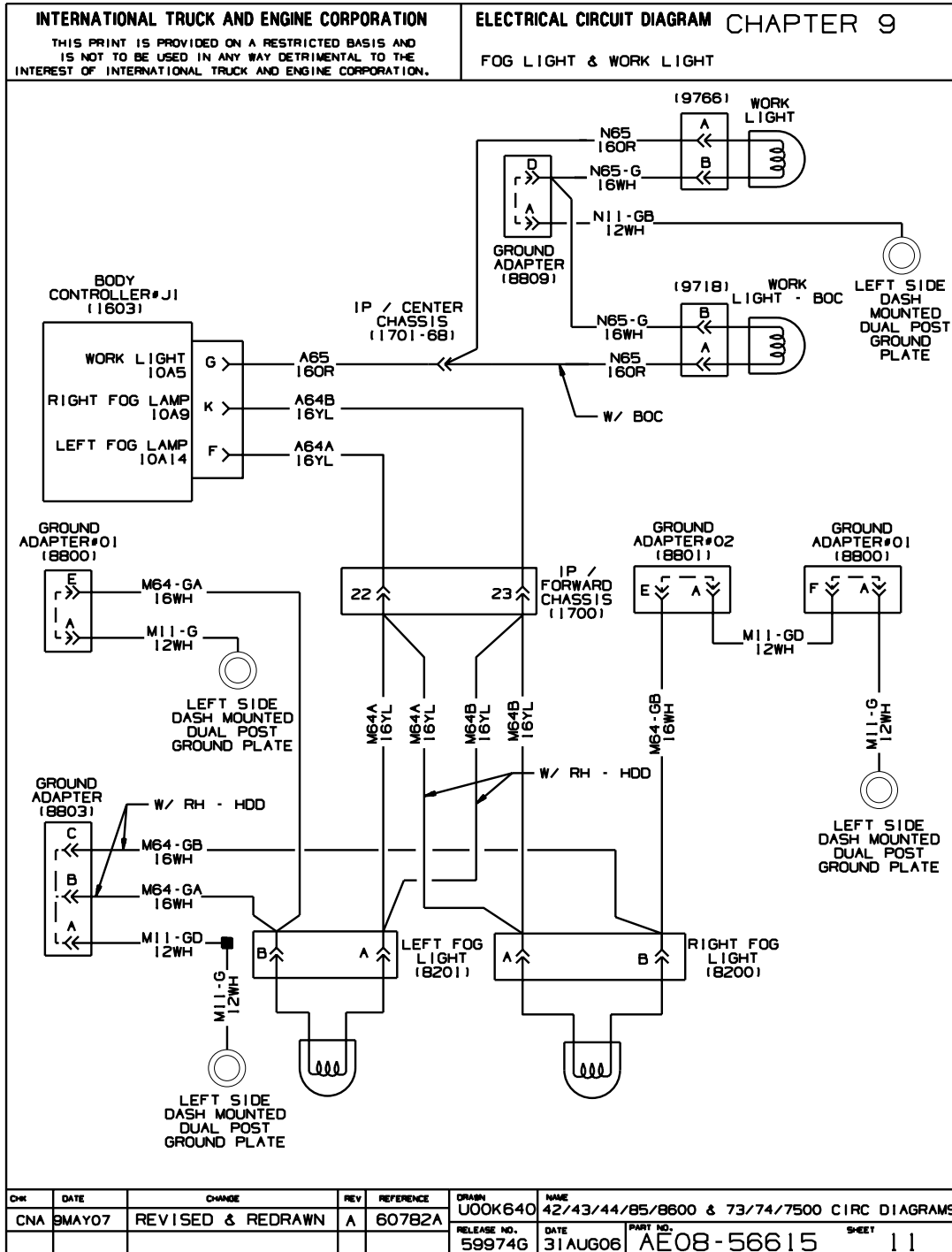


Figure 131 Fog Light and Work Light

9.12. HEADLIGHTS, P. 12

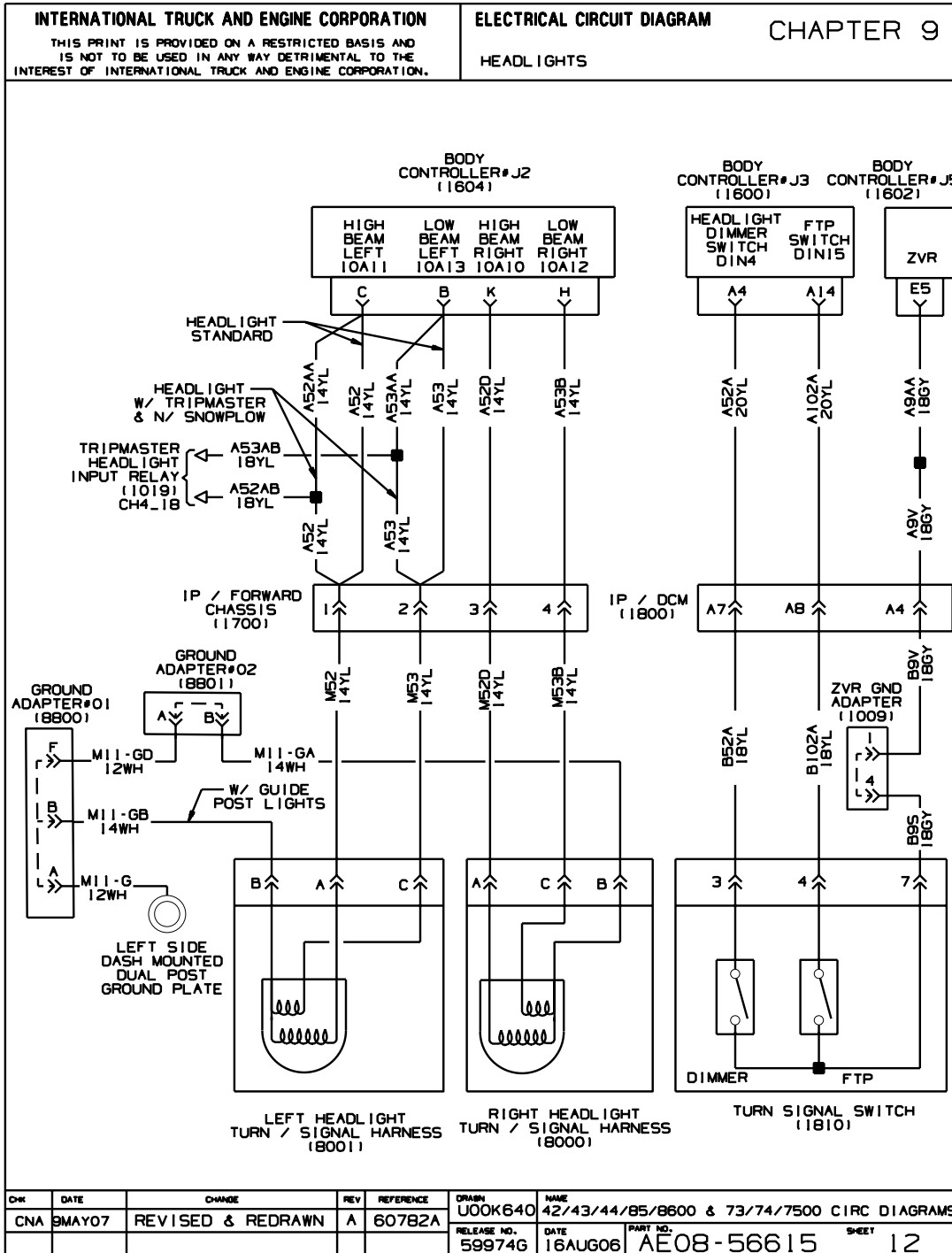


Figure 132 Headlights

9.13. AUX. HEADLIGHTS, SNOW PLOW LIGHTS, P. 13

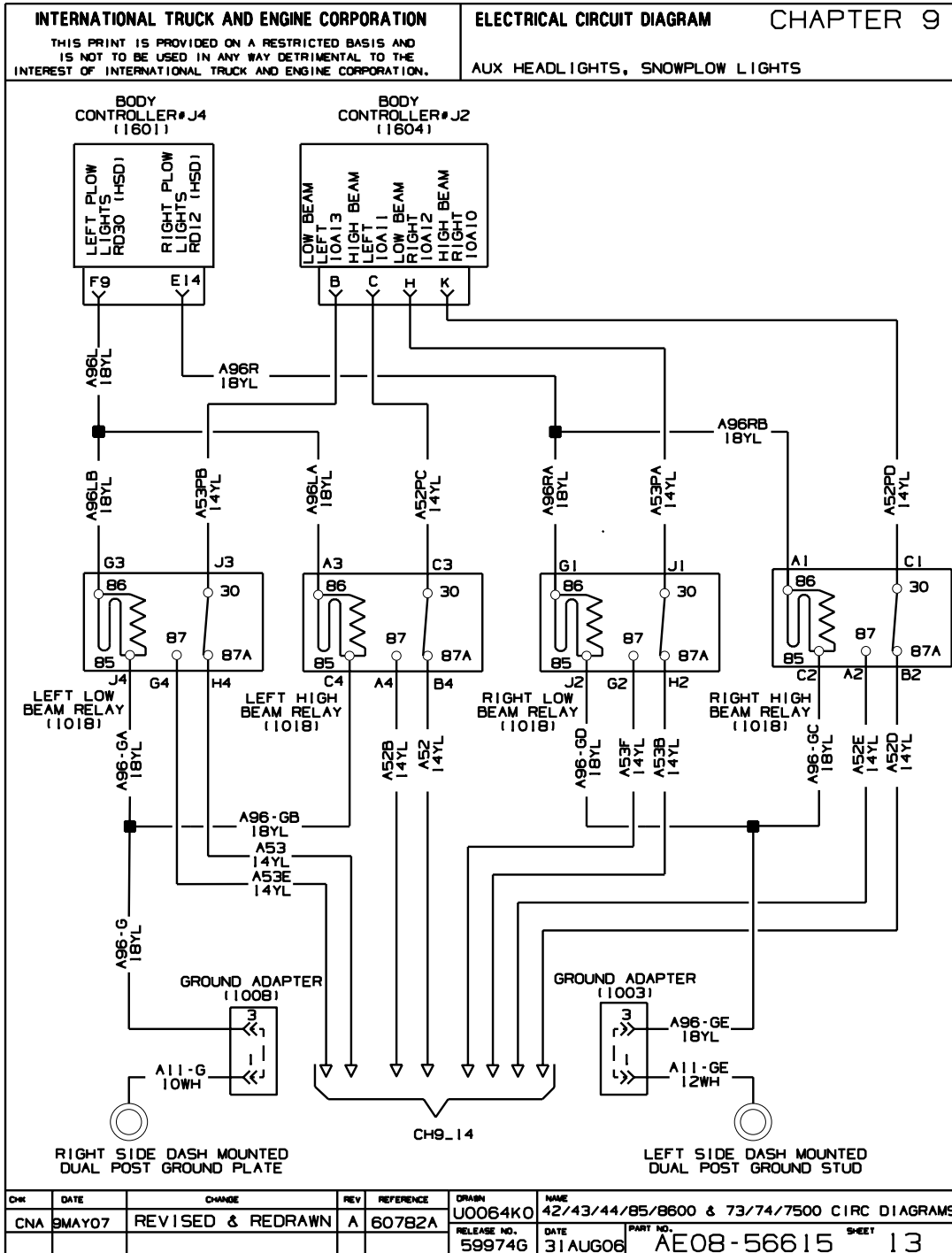


Figure 133 Aux. Headlights, Snow Plow Lights

9.14. AUX. HEADLIGHTS, SNOW PLOW LIGHTS (CONT), P. 14

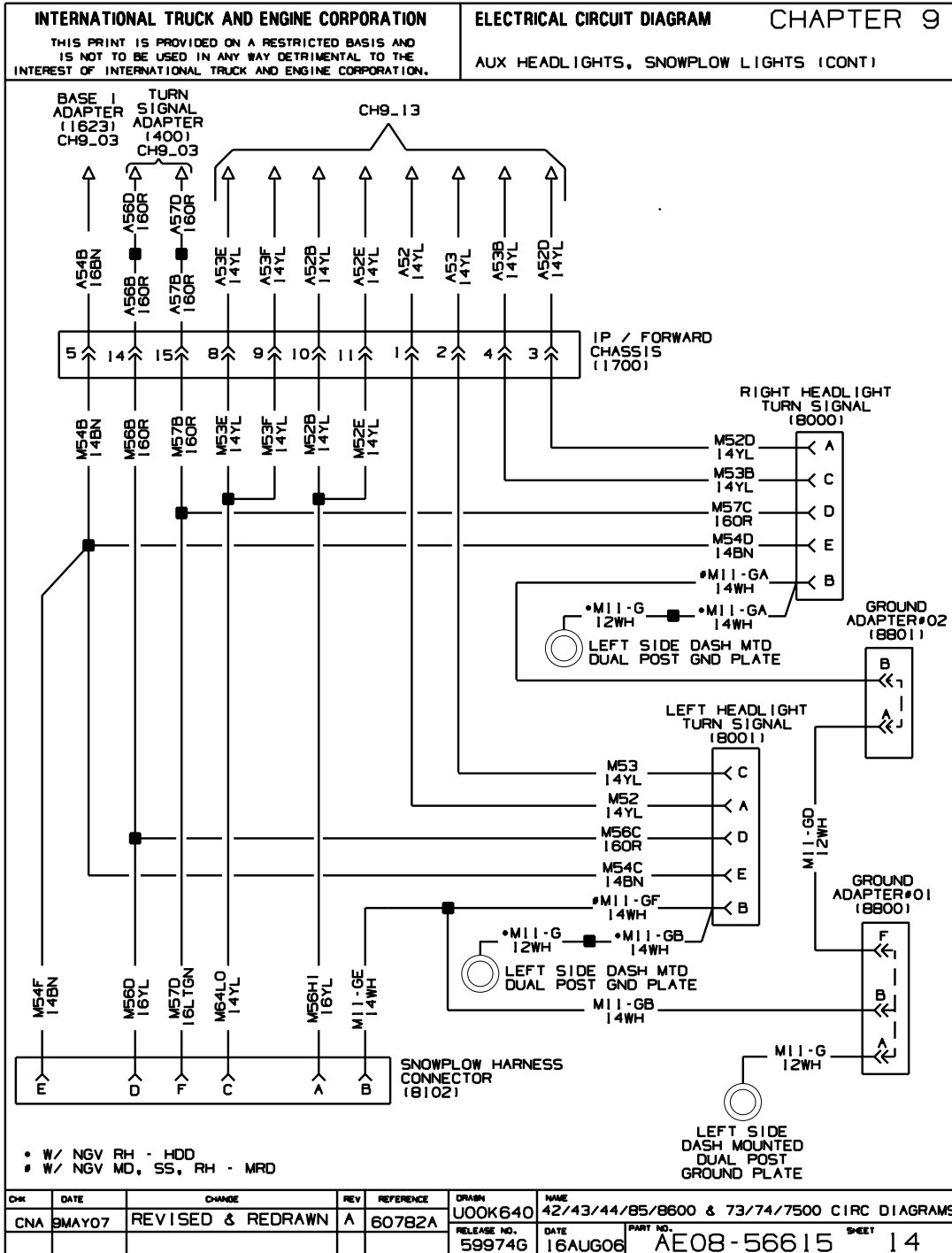


Figure 134 Aux. Headlights, Snow Plow Lights (Cont)

9.15. PANEL LIGHTS, P. 15

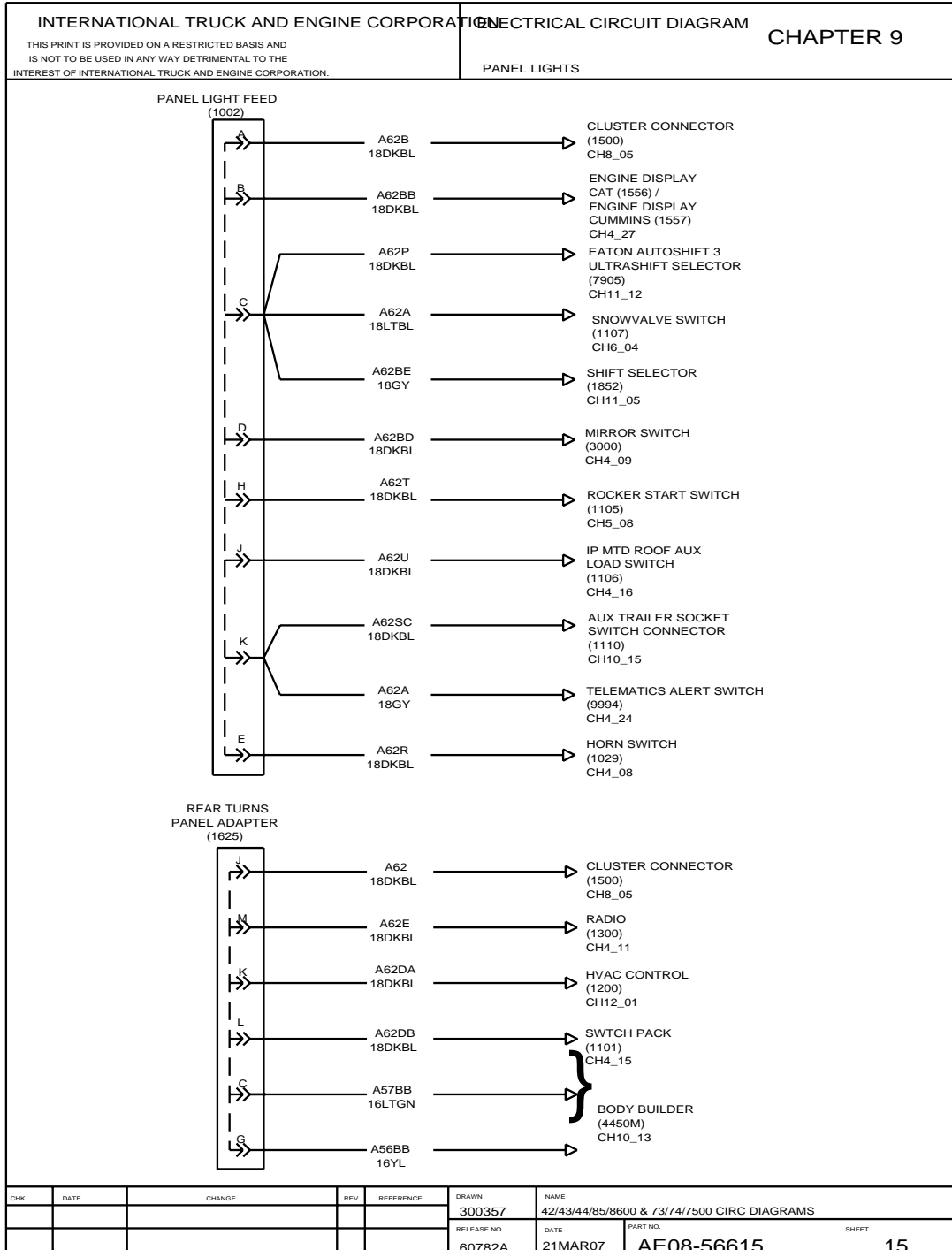


Figure 135 Panel Lights

10. CHASSIS ACCESSORIES (CHAPTER 10)

10.1. ABS — BENDIX AIR, P. 1

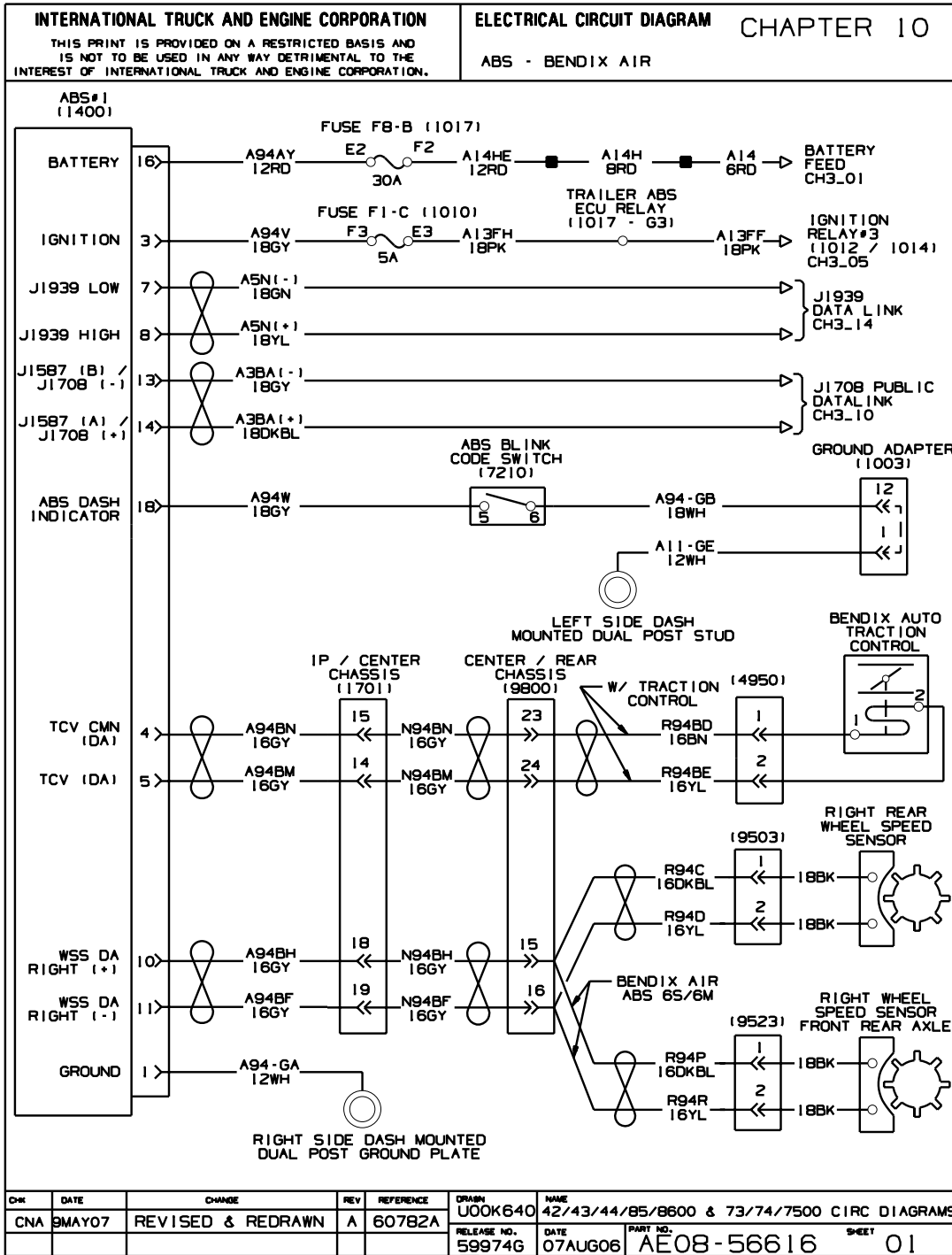


Figure 136 ABS — Bendix Air

10.2. ABS — BENDIX AIR, P. 2

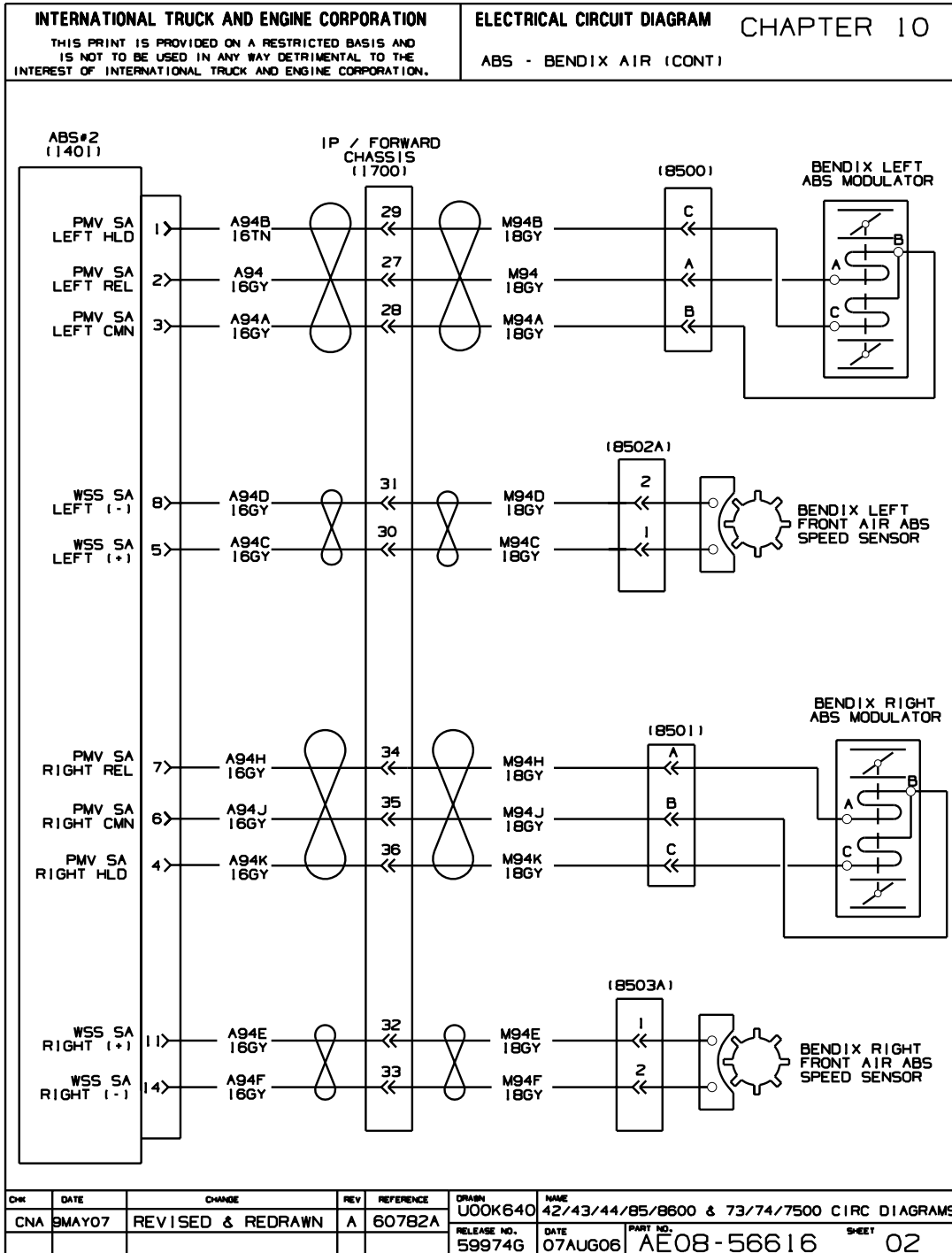


Figure 137 ABS — Bendix Air (Cont.)

10.3. ABS — BENDIX AIR, P. 3

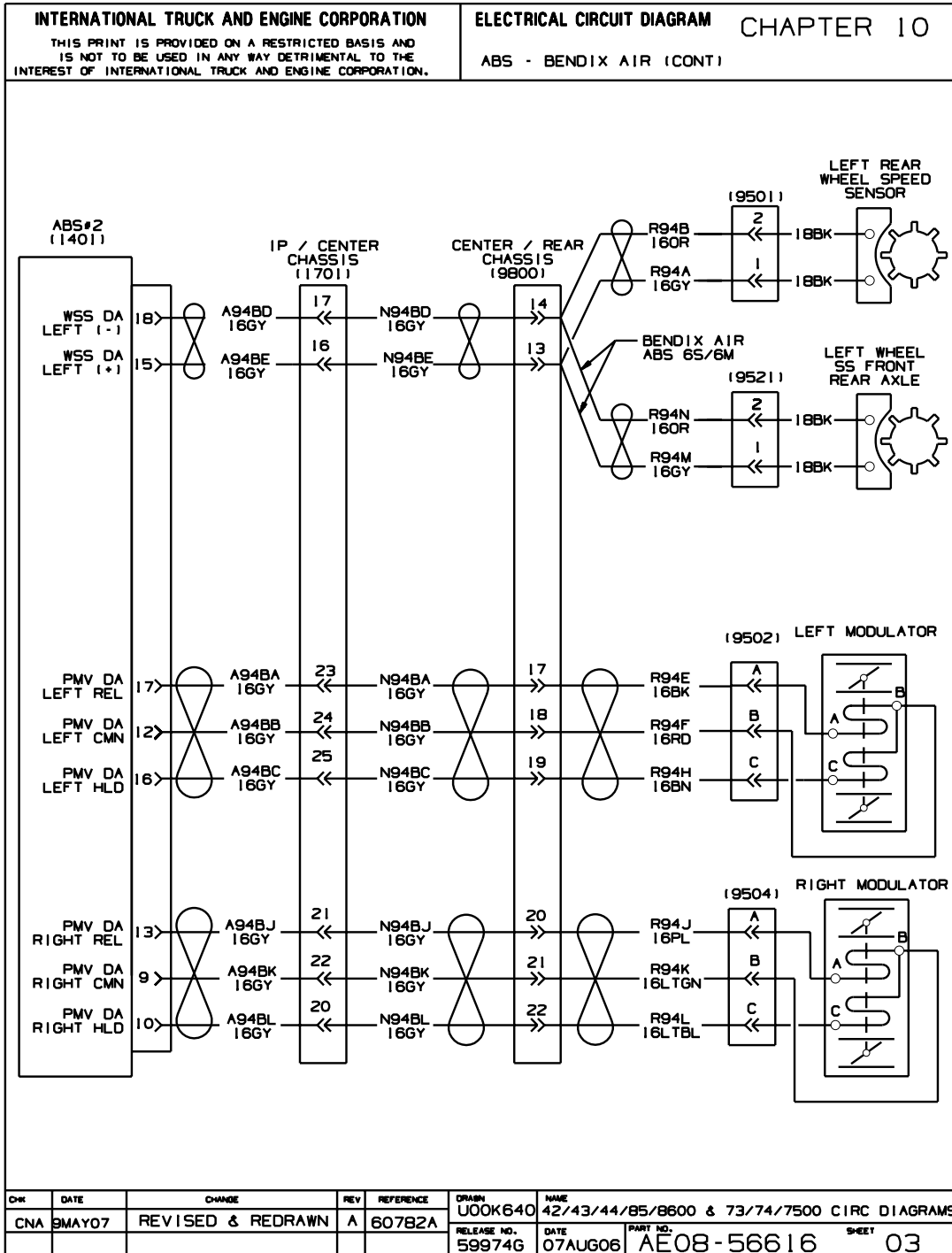


Figure 138 ABS — Bendix Air (Cont.)

10.4. ABS — WABCO AIR, P. 4

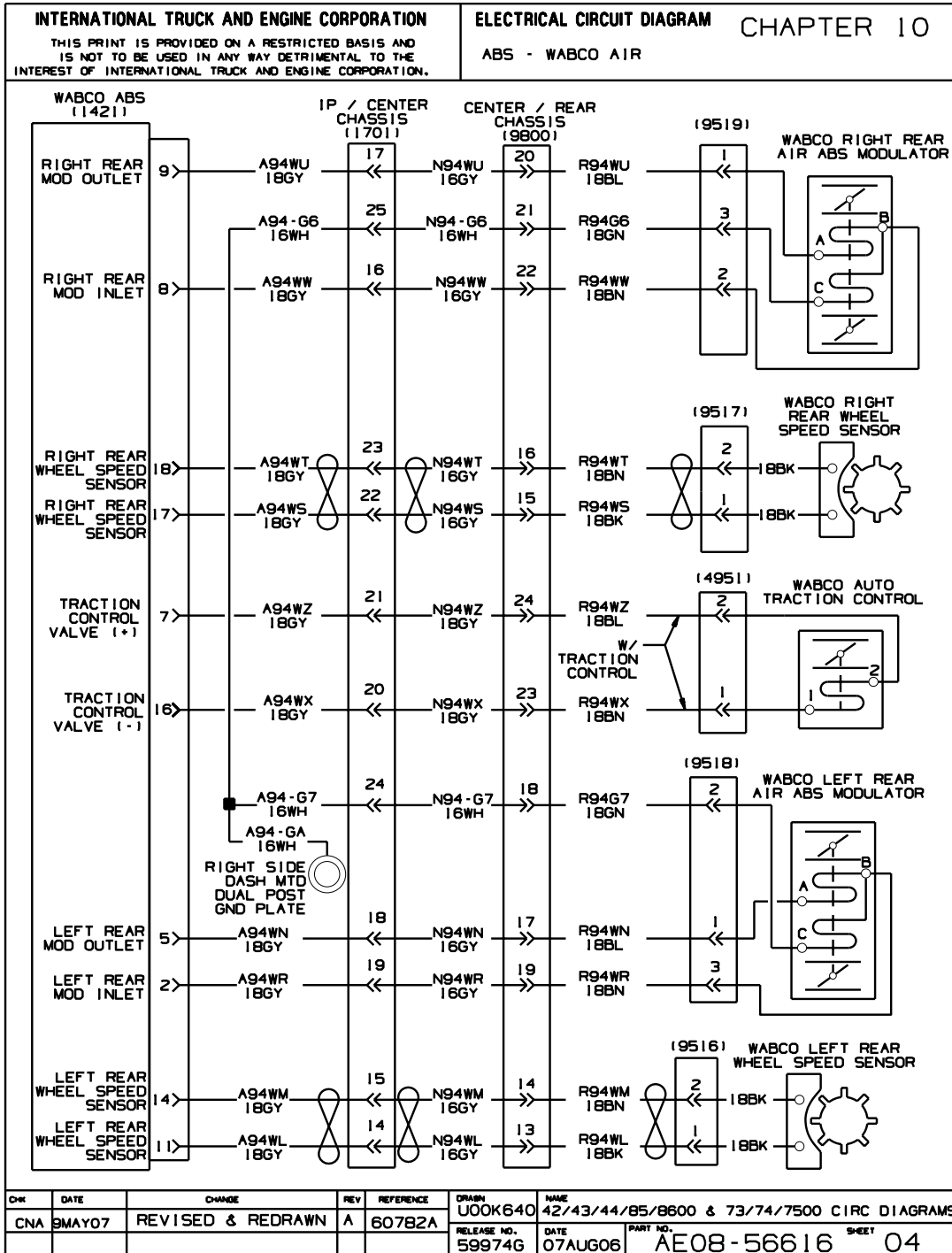


Figure 139 ABS — Wabco Air

10.5. ABS — WABCO AIR, P. 5

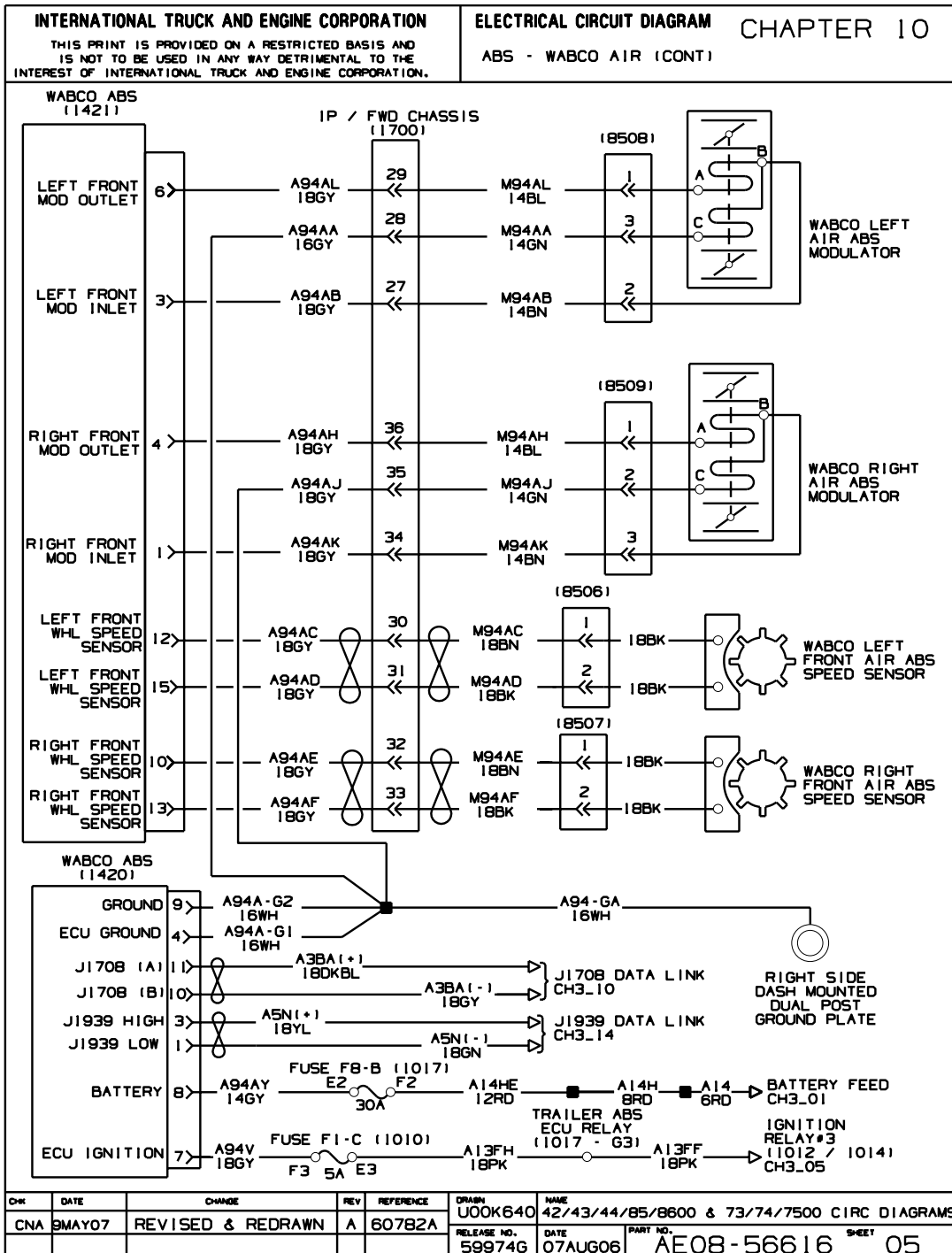


Figure 140 ABS — Wabco Air (Cont.)

10.6. WABCO FULL POWER BRAKES, P. 6

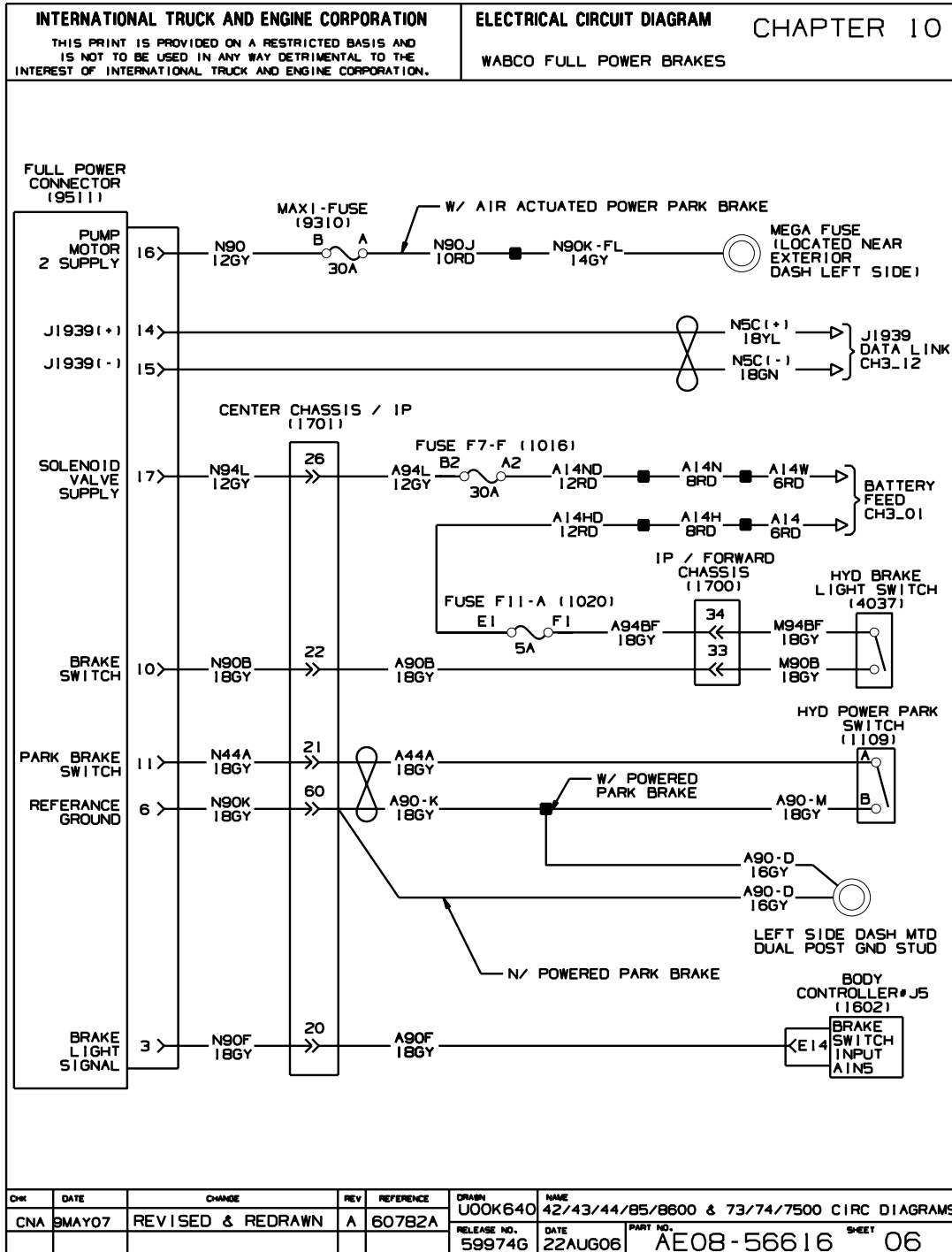


Figure 141 Wabco Full Power Brakes

10.7. WABCO FULL POWER BRAKES, P. 7

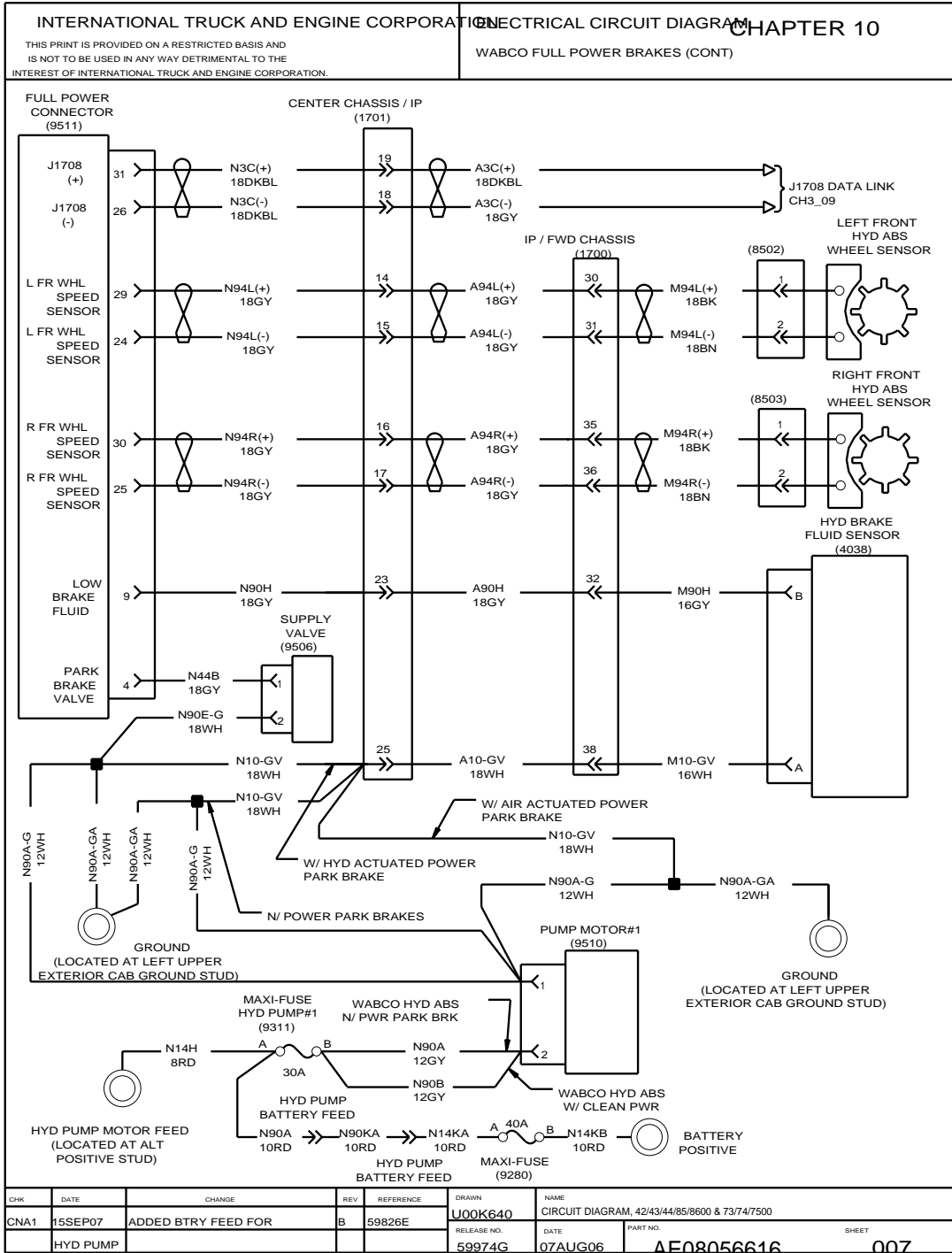


Figure 142 Wabco Full Power Brakes

10.8. WABCO FULL POWER BRAKES, P. 8

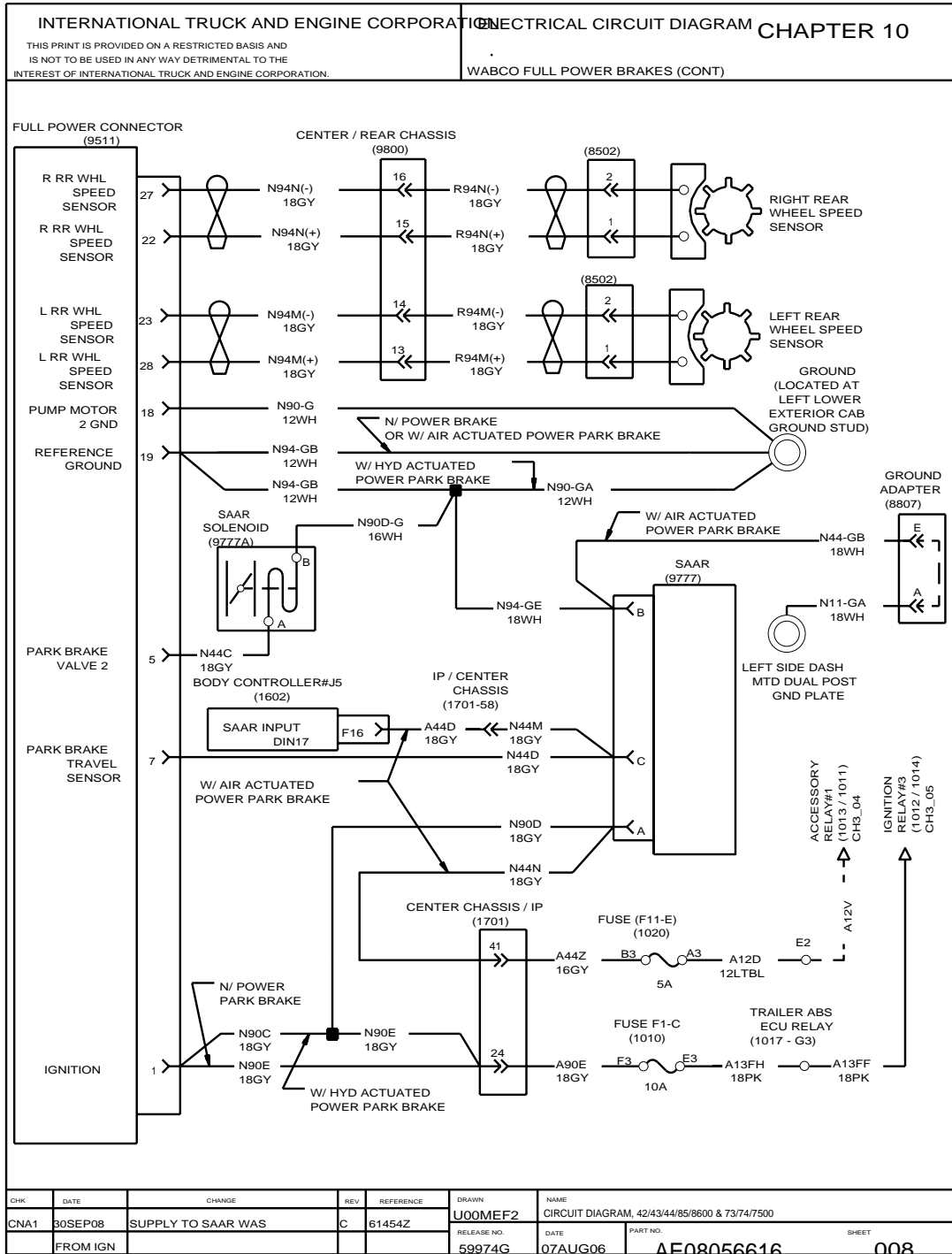


Figure 143 Wabco Full Power Brakes (Cont.)

10.9. BODY BUILDER AND TRAILER — TURN, MARKERS AND STOP, P. 9

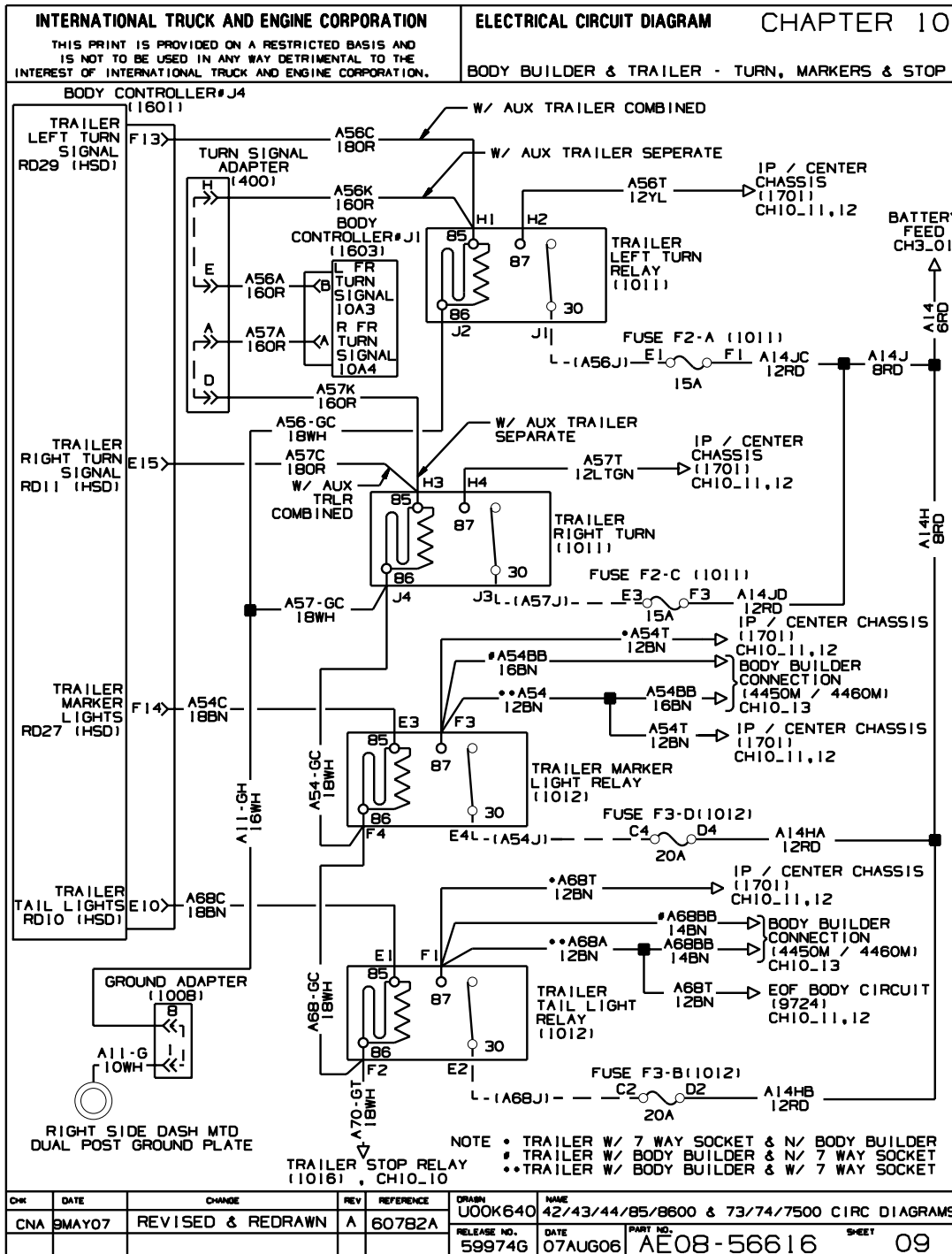


Figure 144 Body Builder and Trailer — Turn, Markers and Stop

10.10. BODY BUILDER AND TRAILER — TURN, MARKERS AND STOP, P. 10

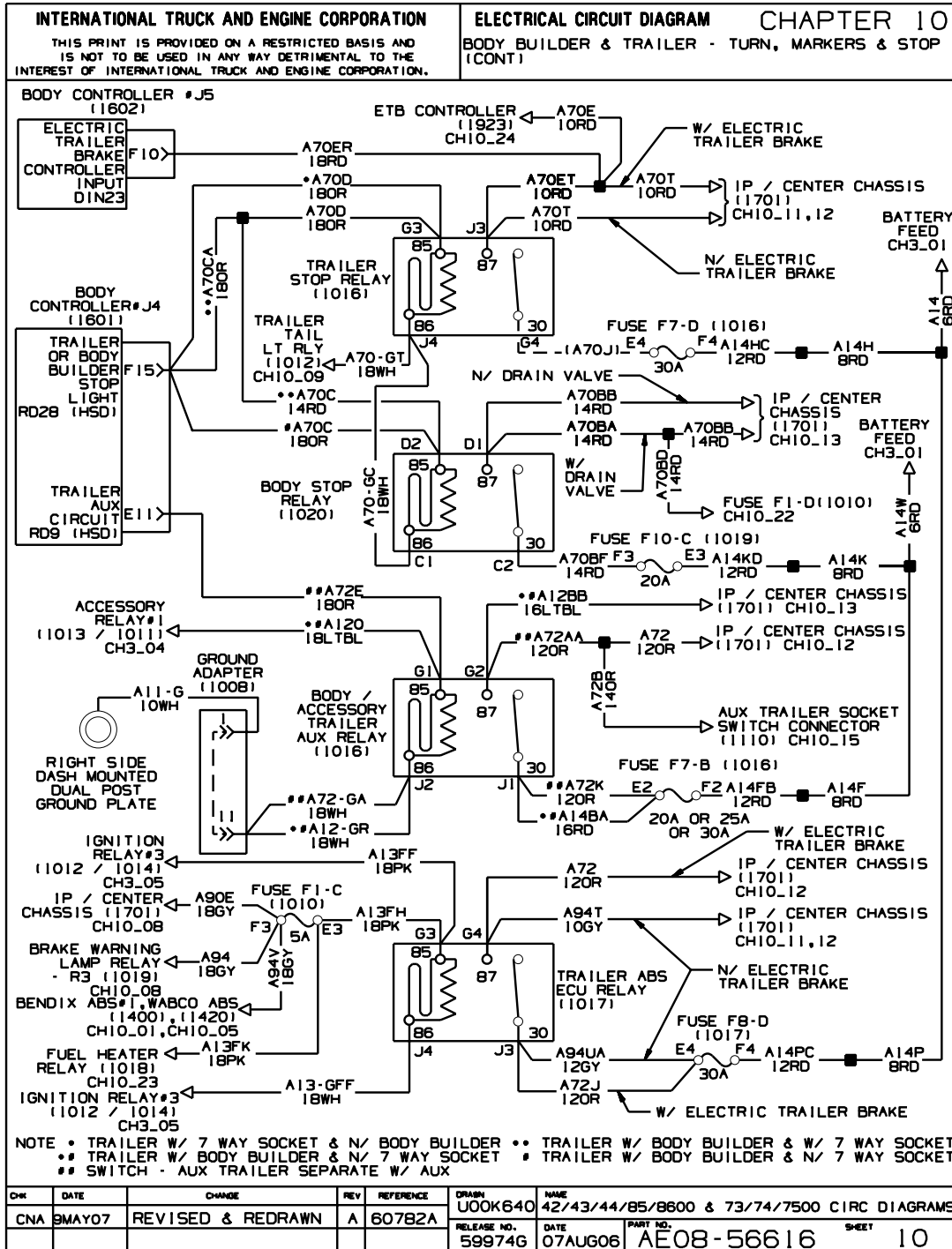


Figure 145 Body Builder and Trailer — Turn, Markers and Stop (Cont.)

10.11. TRAILER SOCKET — SOC AND EOF, P. 11

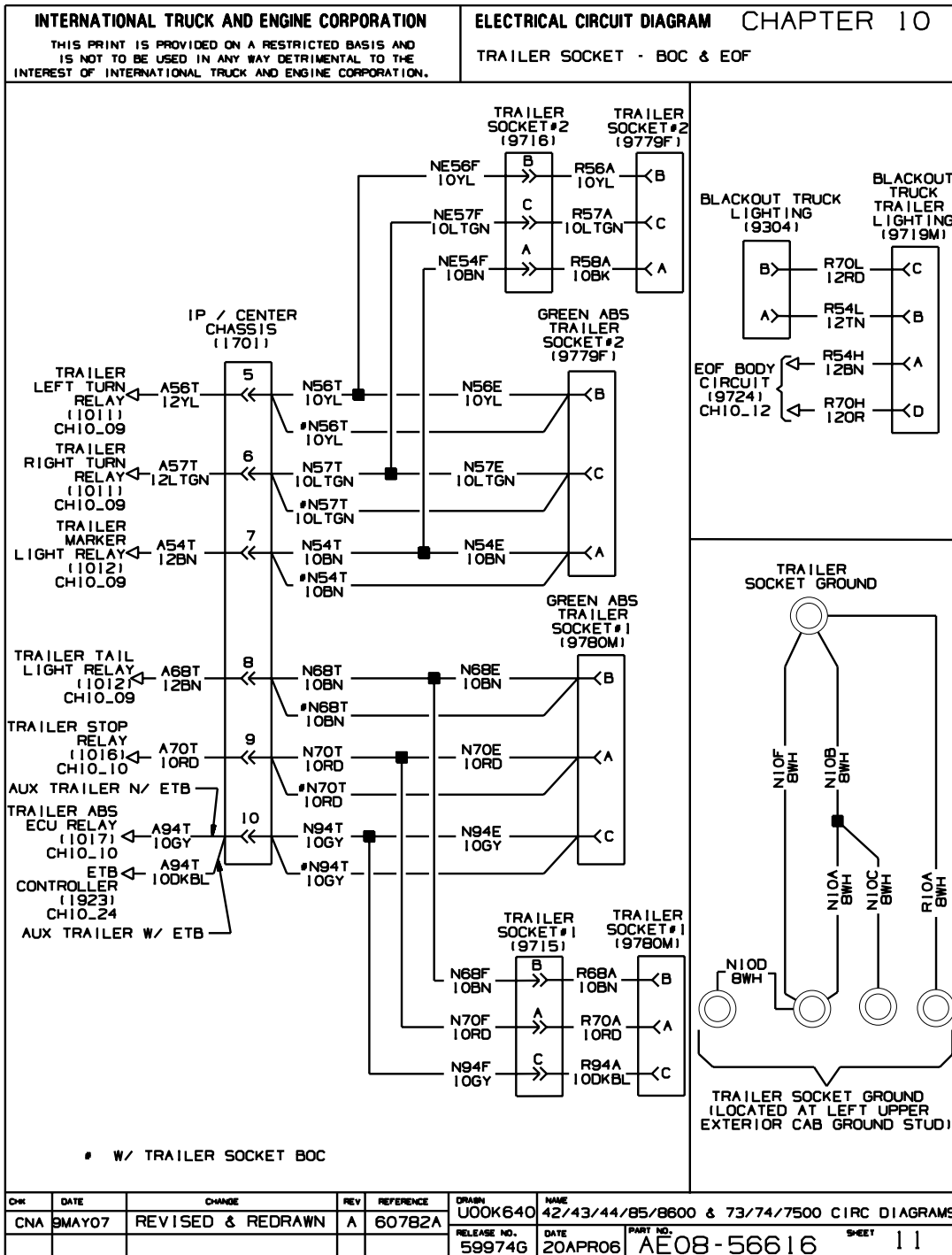


Figure 146 Trailer Socket — SOC and EOF

10.12. BODY BUILDER AND TRAILER SOCKET — SOC AND EOF, P. 12

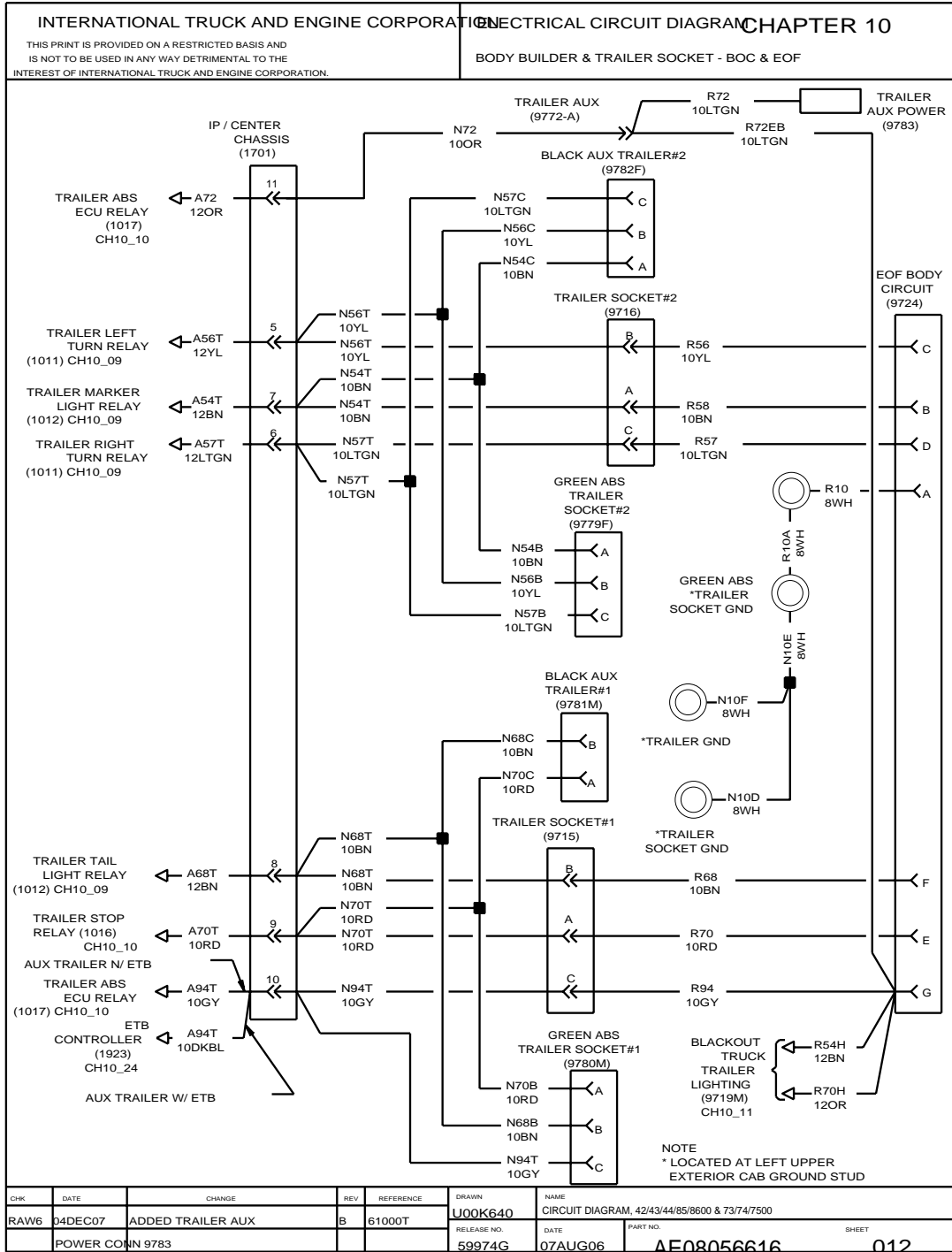


Figure 147 Body Builder and Trailer Socket — SOC and EOF

10.13. BODY BUILDER CONNECTIONS, P. 13

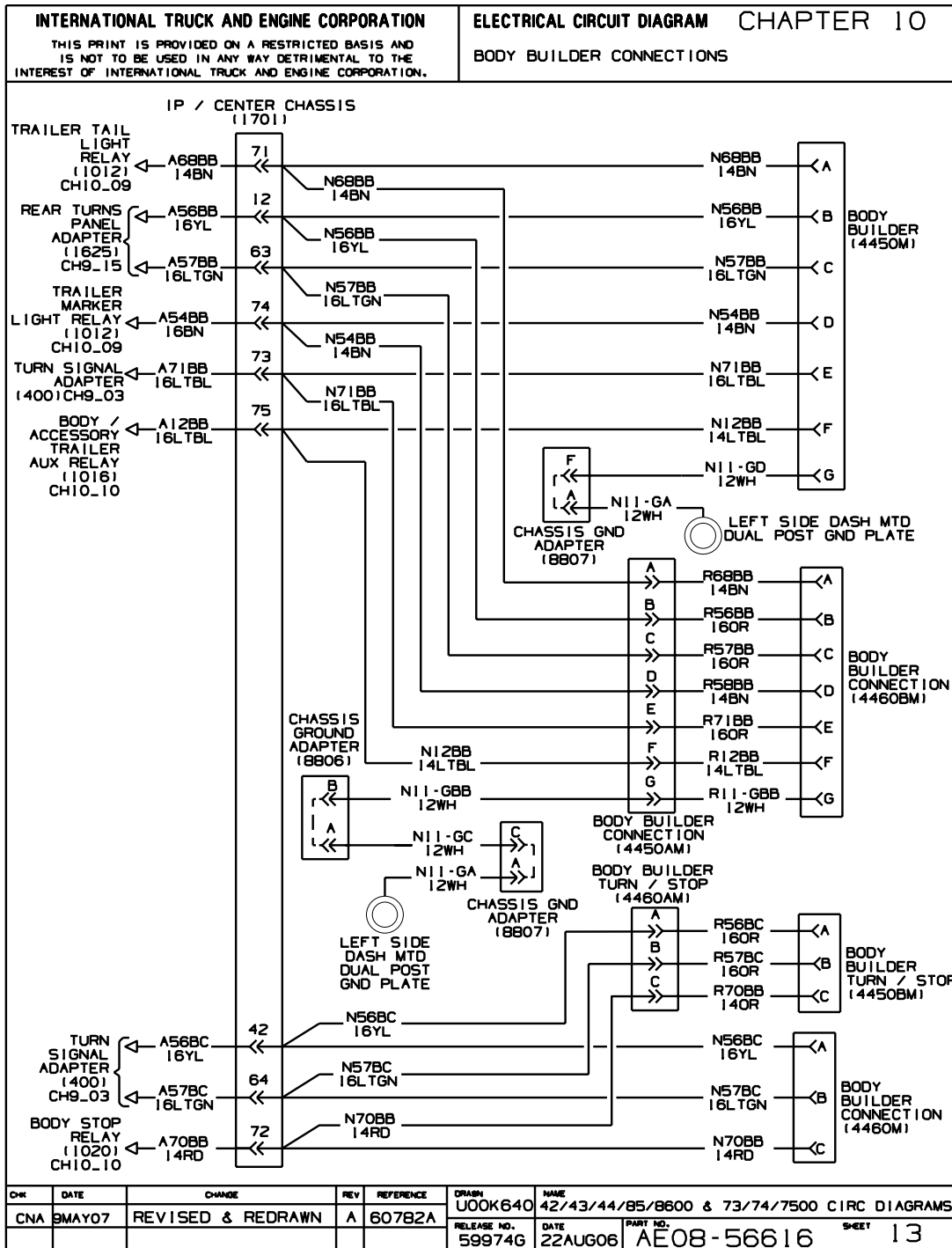


Figure 148 Body Builder Connections

10.14. REMOTE START / STOP, P. 14

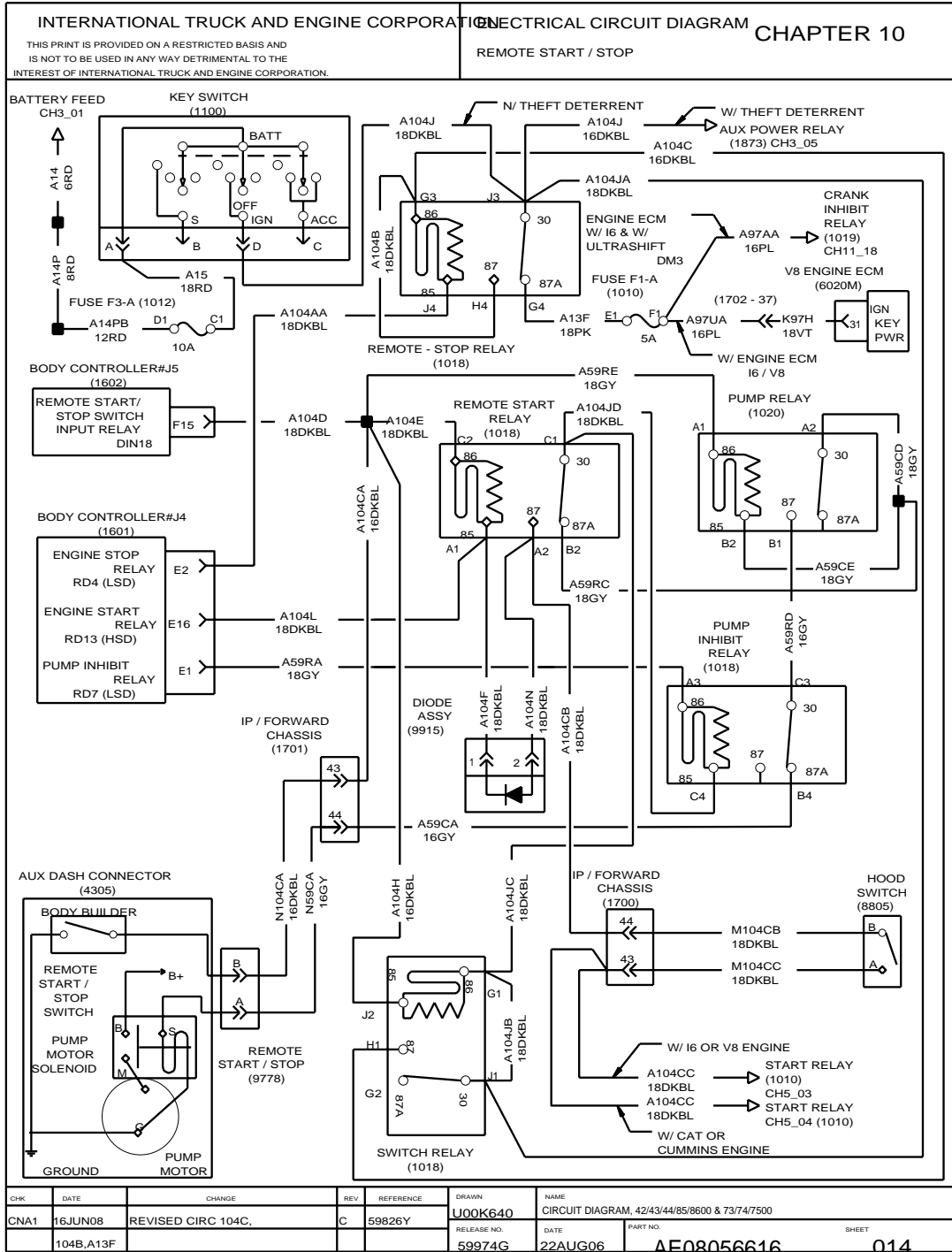


Figure 149 Remote Start / Stop

10.15. AUX TRAILER CIRCUIT, P. 15

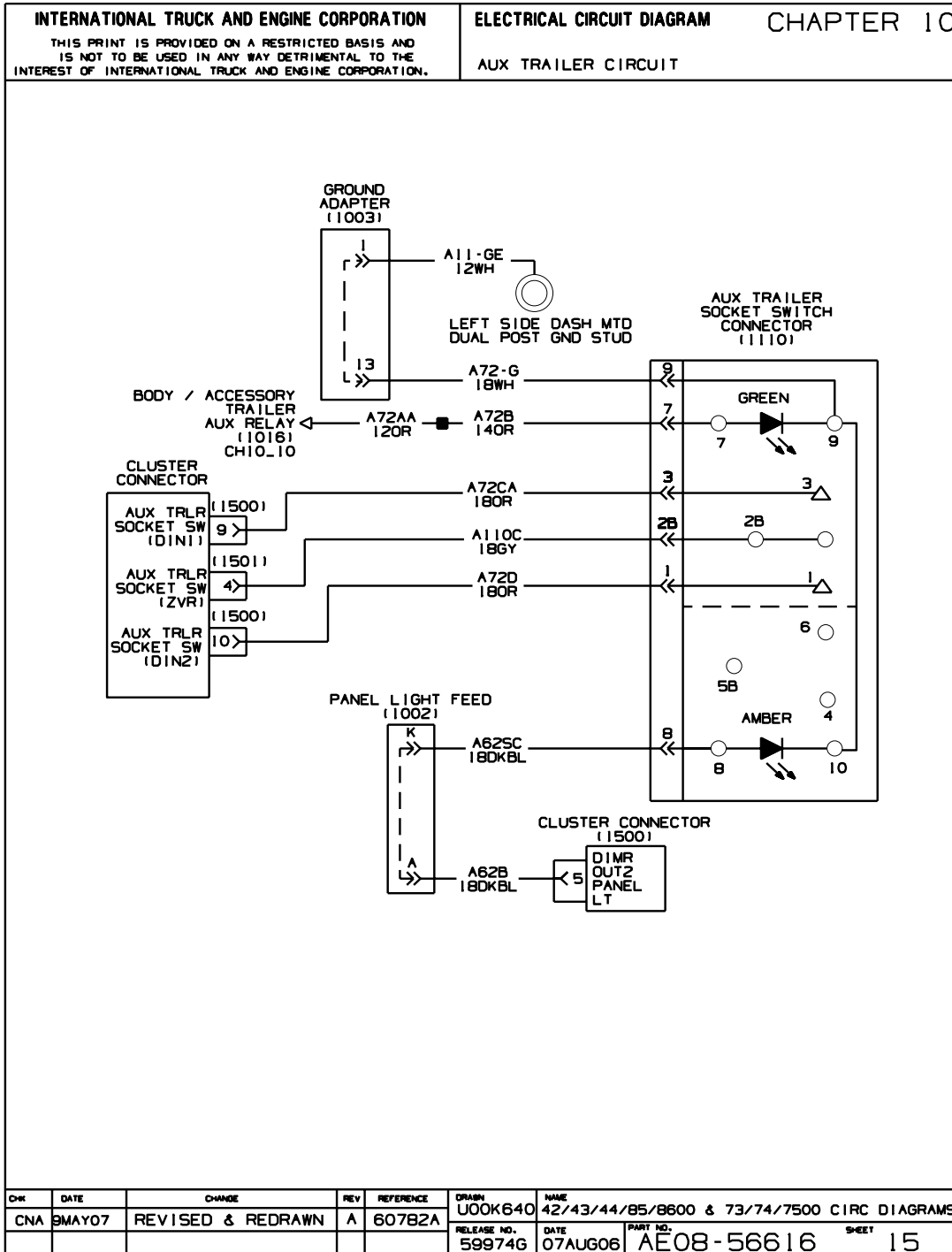


Figure 150 Aux Trailer Circuit

10.16. TWO SPEED AXLE SWITCH, P. 16

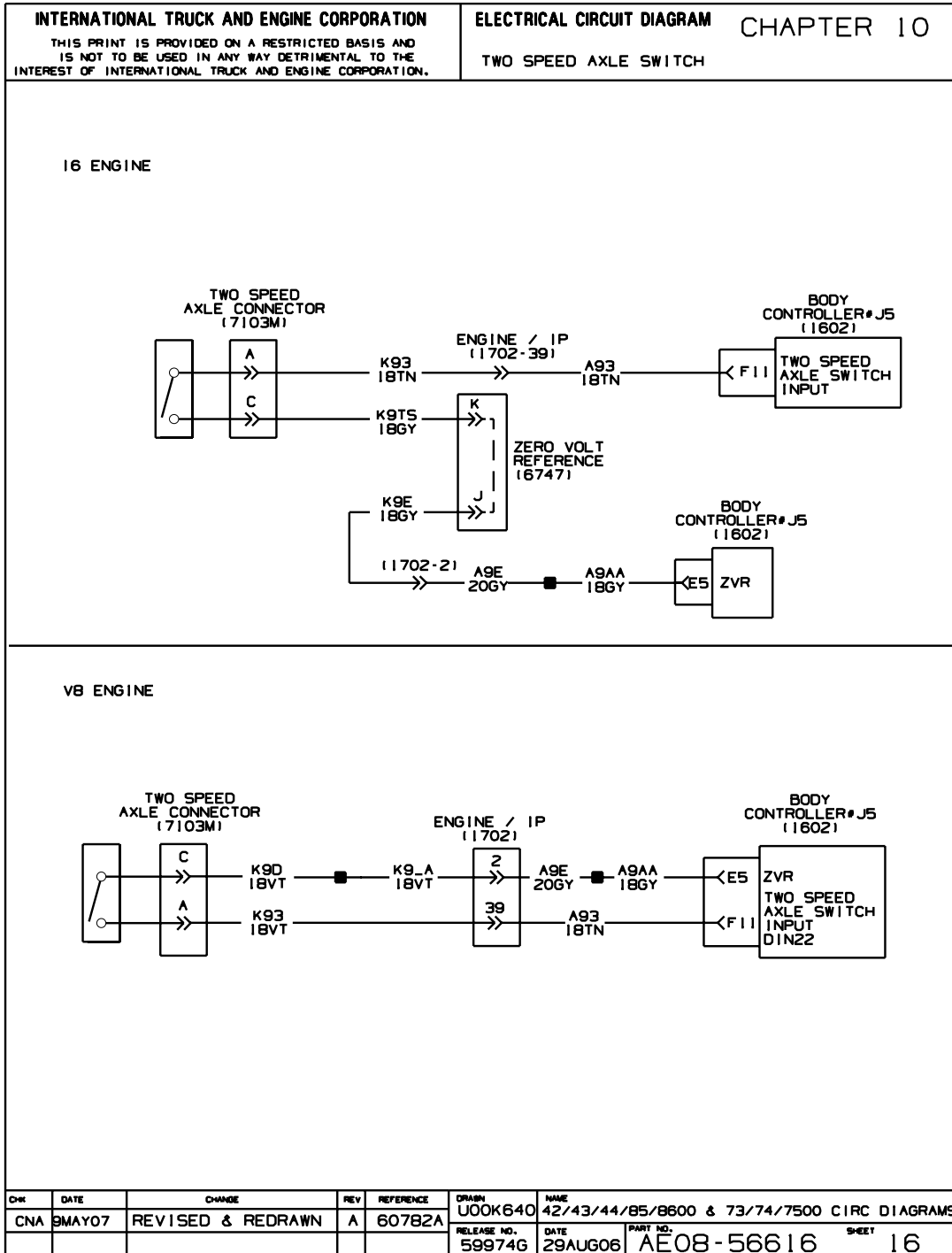


Figure 151 Two Speed Axle Switch

10.17. AIR SOLENOID, P. 17

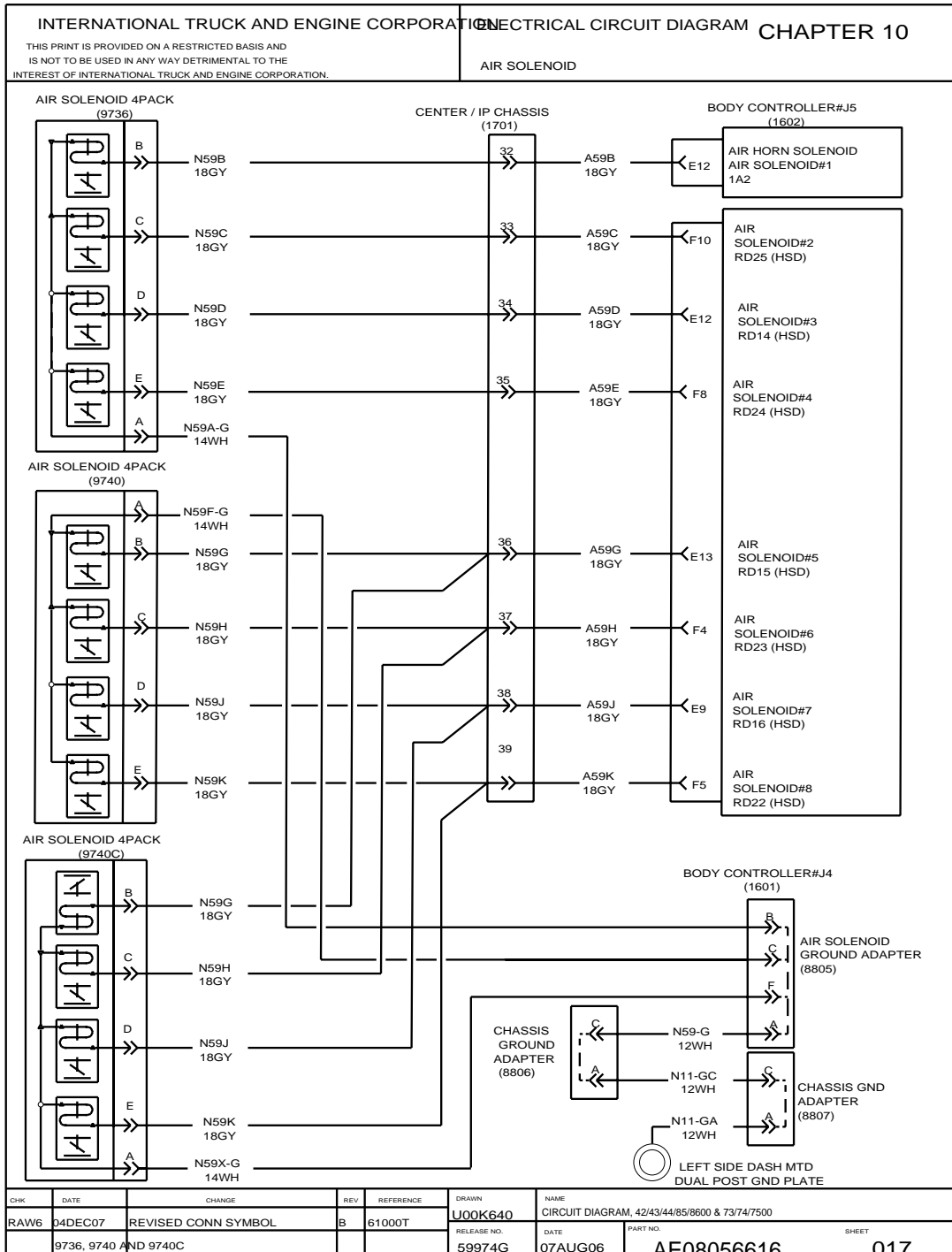


Figure 152 Air Solenoid

10.18. AIR SOLENOID, P. 18

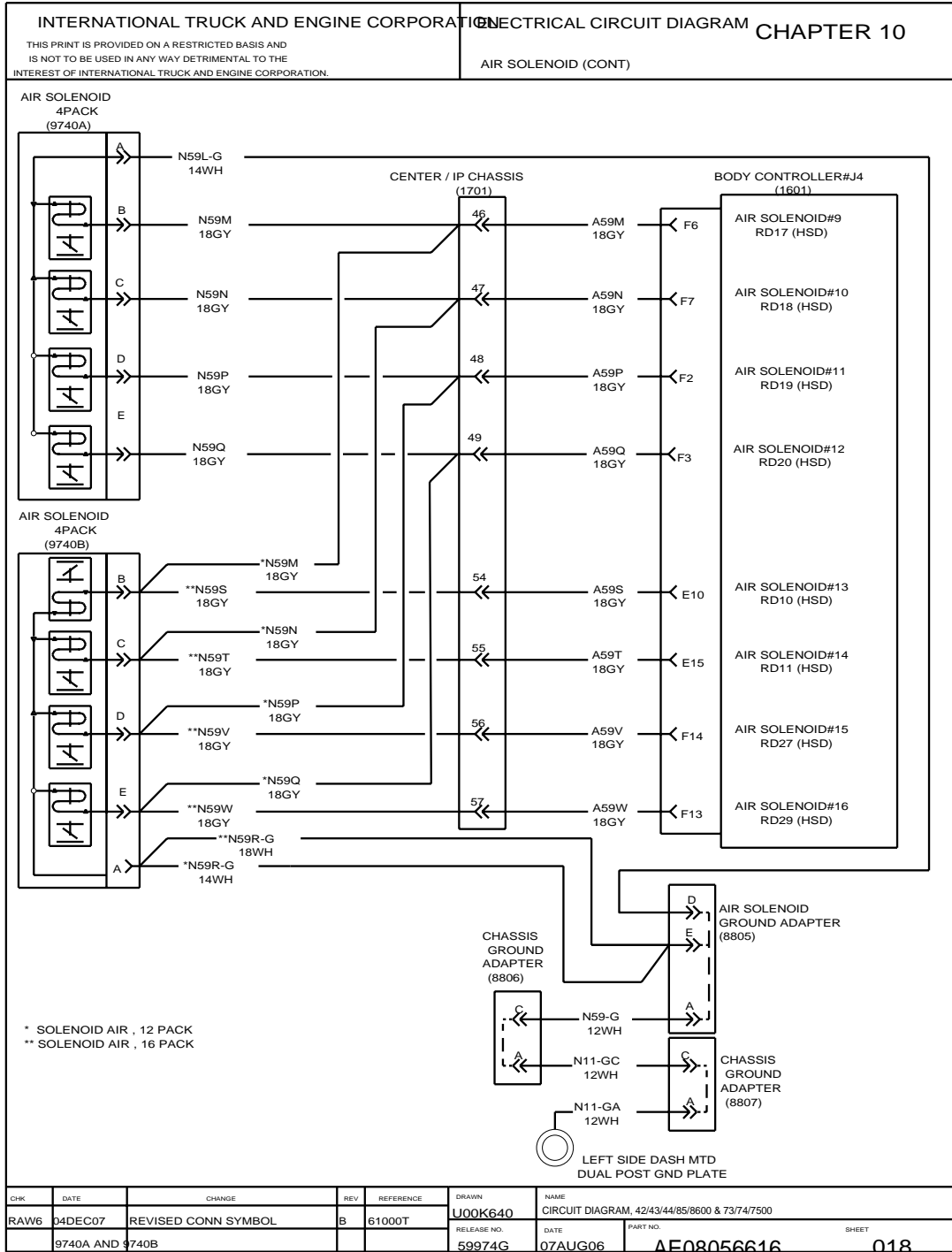


Figure 153 Air Solenoid (Cont.)

10.19. REMOTE POWER UNITS, SOLENOID PACKS, REMOTE ENGINE SPEED CONTROLLER, P. 19

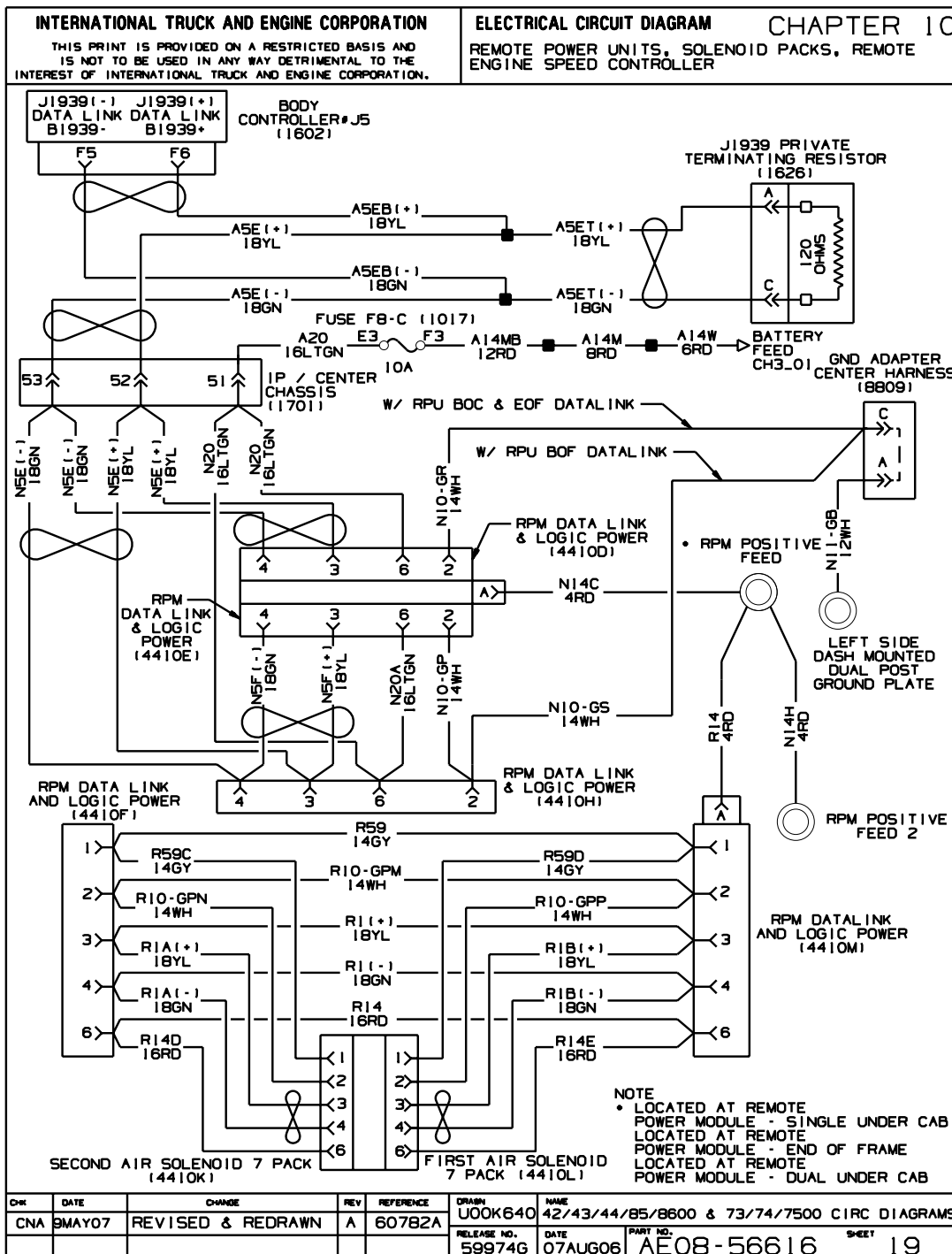


Figure 154 Remote Power Units, Solenoid Packs, Remote Engine Speed Controller

10.20. BLANK PAGE, P. 20

INTERNATIONAL TRUCK AND ENGINE CORPORATION <small>THIS PRINT IS PROVIDED ON A RESTRICTED BASIS AND IS NOT TO BE USED IN ANY WAY DETRIMENTAL TO THE INTEREST OF INTERNATIONAL TRUCK AND ENGINE CORPORATION.</small>				ELECTRICAL CIRCUIT DIAGRAM CHAPTER 10			
<p style="font-size: 24px; margin: 0;">INTENTIONALLY</p> <p style="font-size: 24px; margin: 0;">LEFT BLANK</p>							
<small>CHK</small>	<small>DATE</small>	<small>CHANGE</small>	<small>REV</small>	<small>REFERENCE</small>	<small>DRAWN</small> U00K640	<small>NAME</small> 42/43/44/85/8600 & 73/74/7500 CIRC DIAGRAMS	
					<small>RELEASE NO.</small> 59974G	<small>DATE</small> 20APR06	
					<small>PART NO.</small> AF08-56616	<small>SHEET</small> 20	

Figure 155 Blank page

10.22. AIR DRYER AND HEATED DRAIN VALVE, P. 22

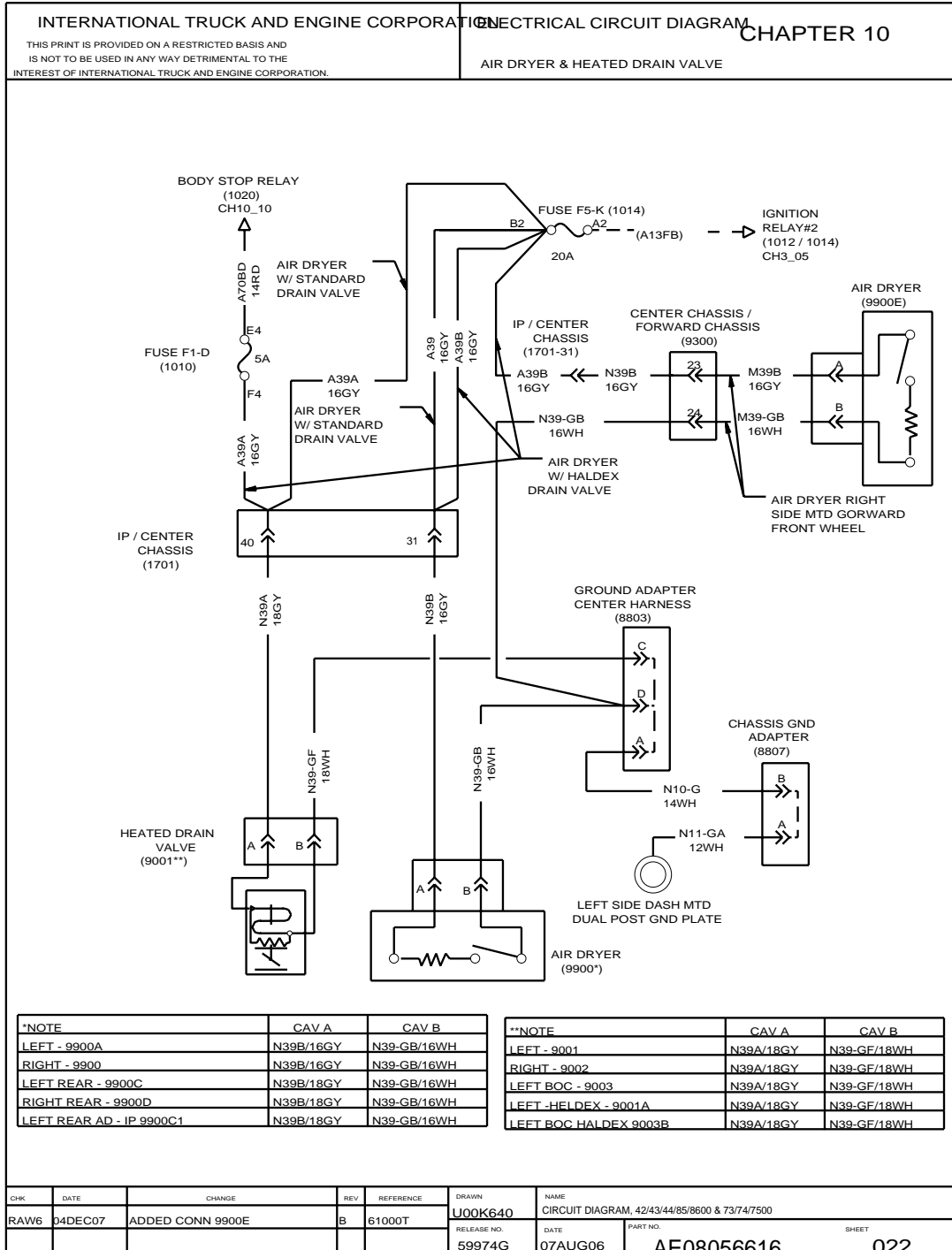


Figure 157 Air Dryer and Heated Drain Valve

10.23. FUEL / WATER SEPARATOR, P. 23

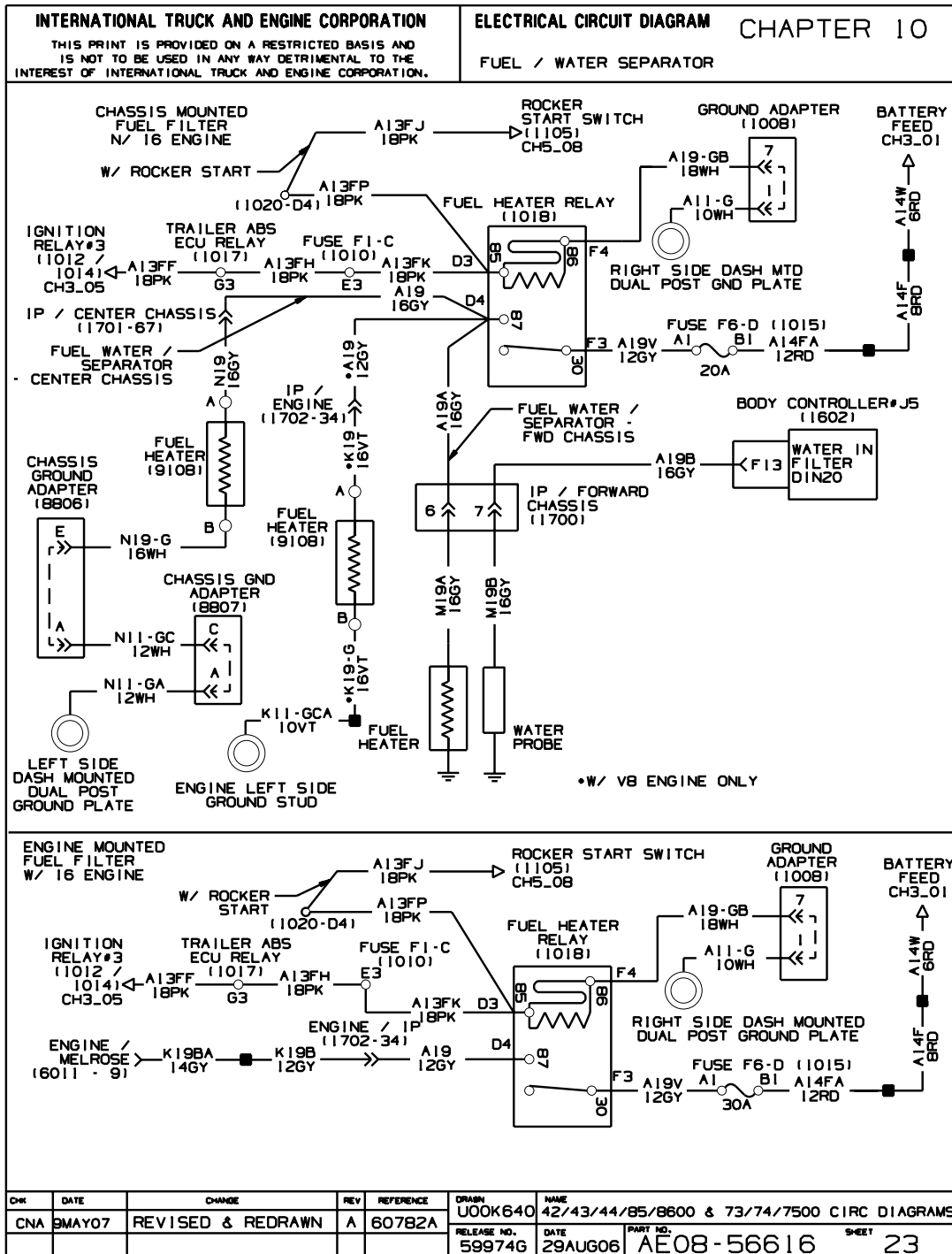


Figure 158 Fuel / Water Separator

10.24. ELECTRIC TRAILER BRAKE, P. 24

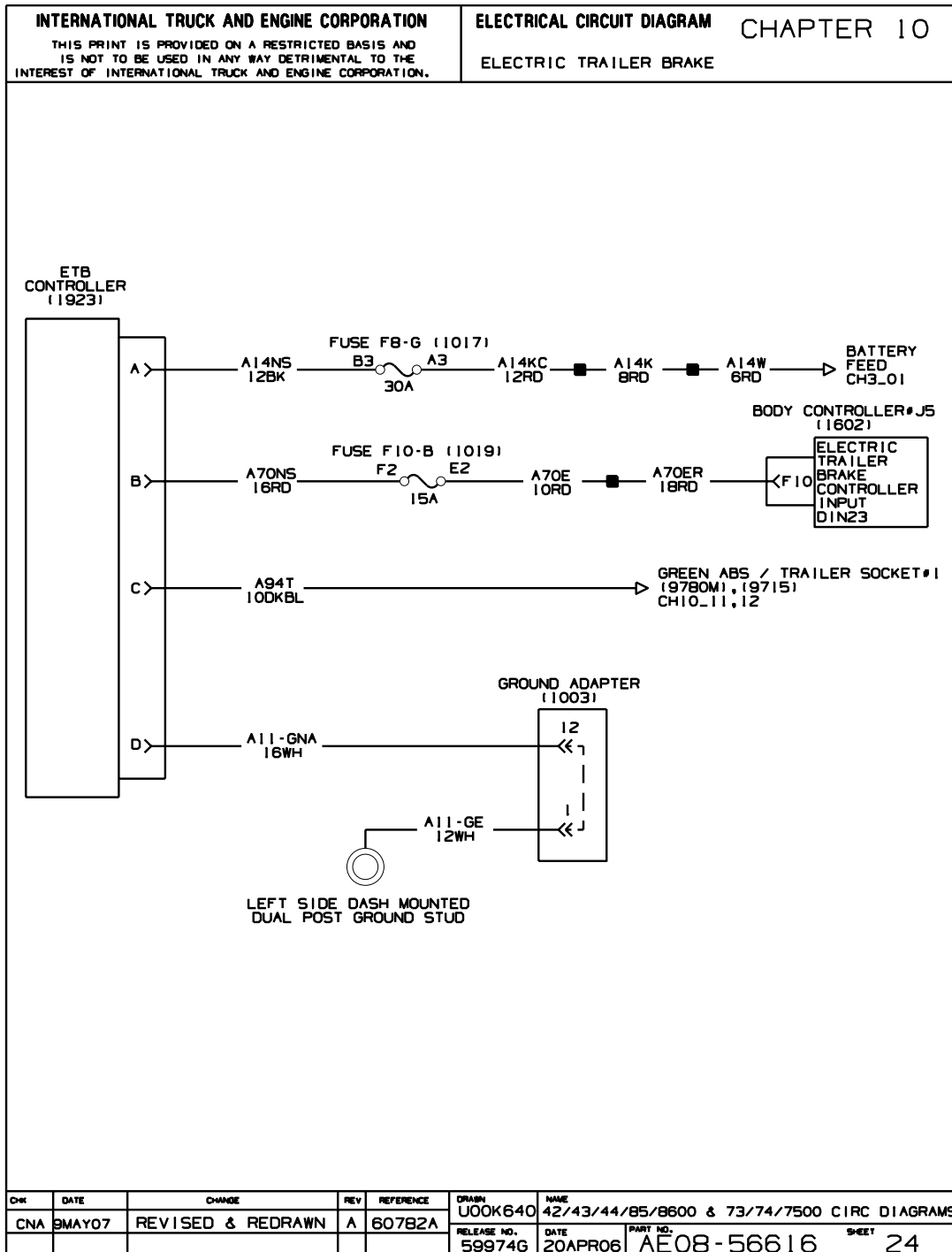


Figure 159 Electric Trailer Brake

10.25. LECTRASHIFT ACCOMMODATION, P. 25

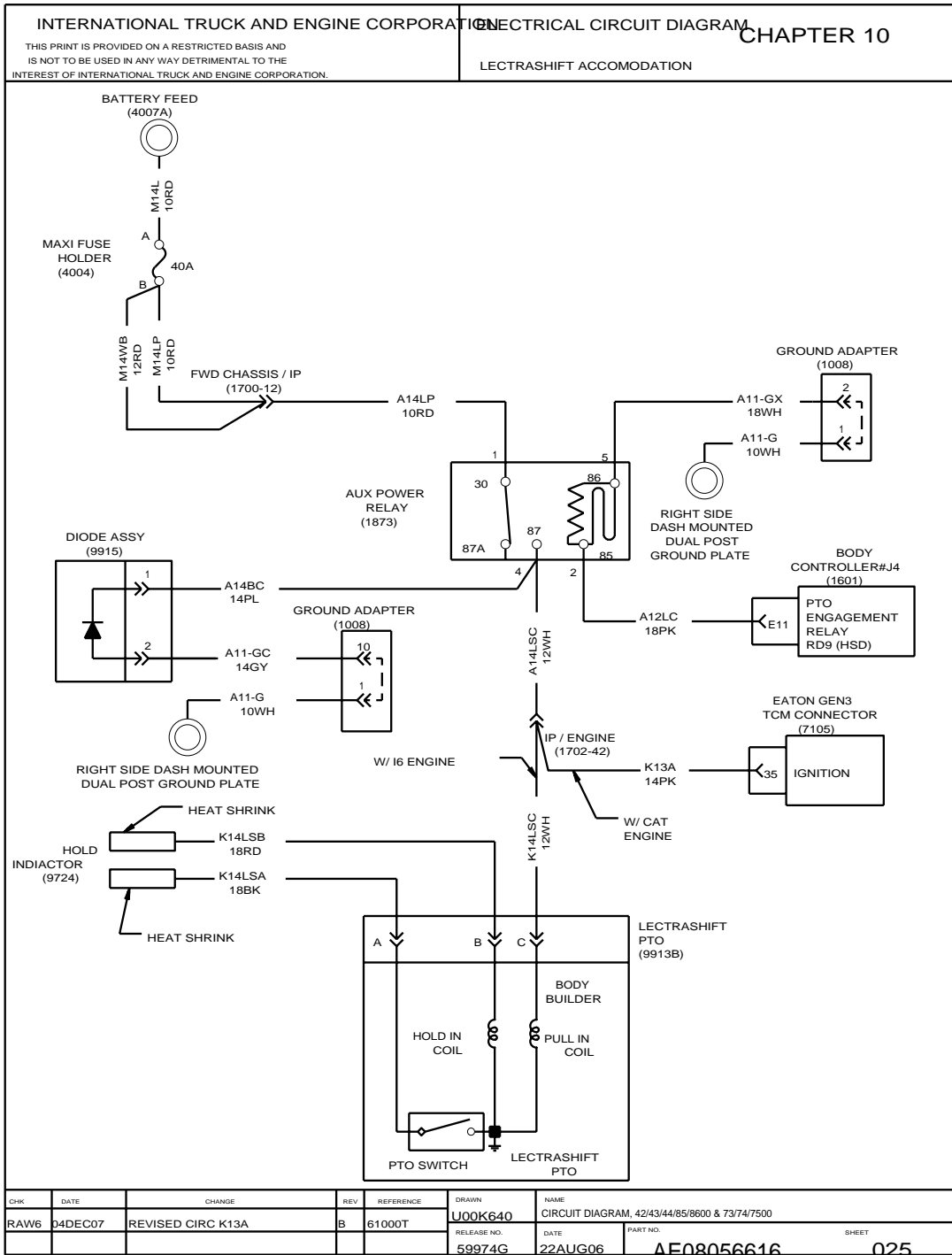


Figure 160 Lectrashift Accommodation

10.26. HOUR METER — PTO, P. 26

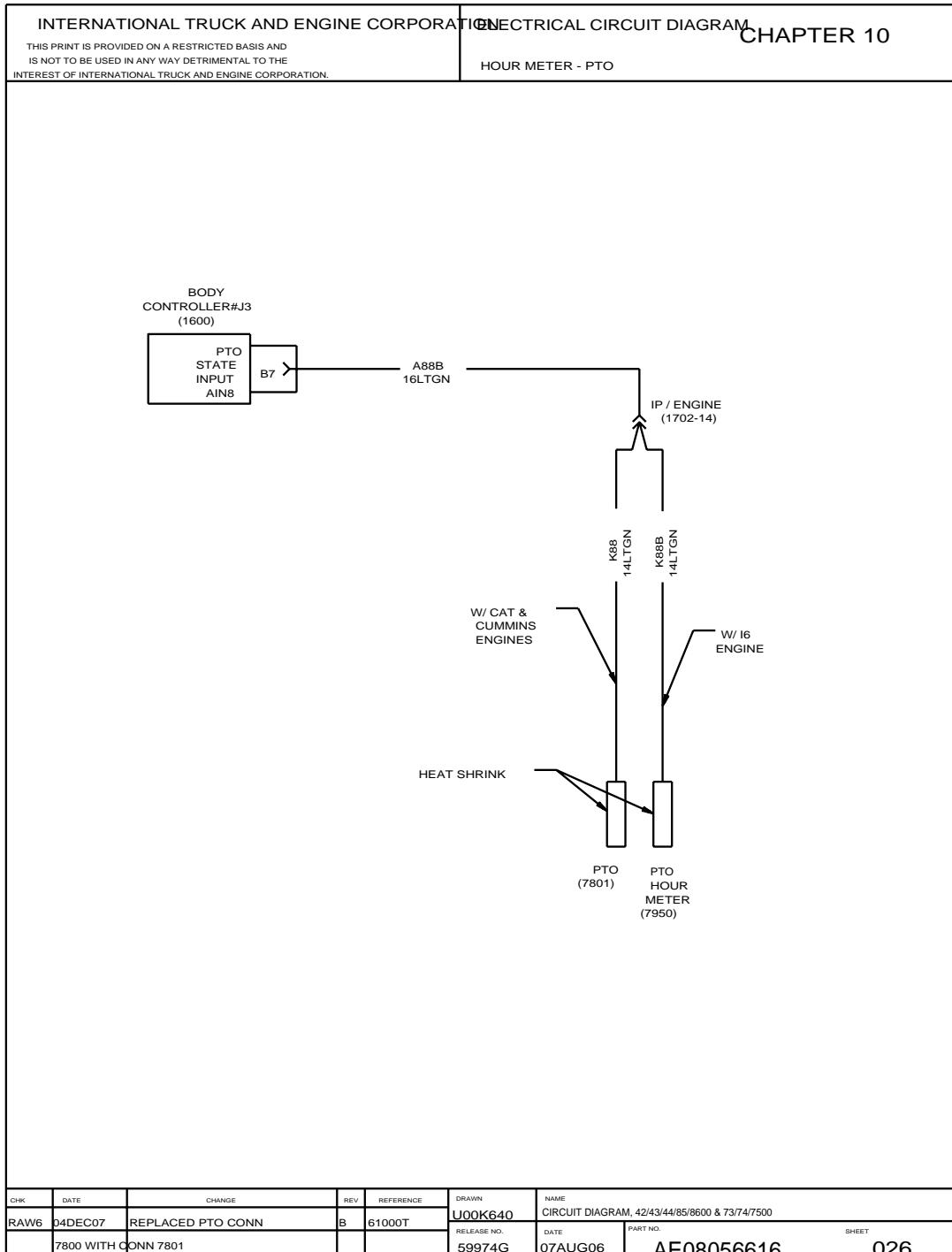


Figure 161 Hour Meter — PTO

10.27. AUX INPUTS AND DRIVERS, P. 27

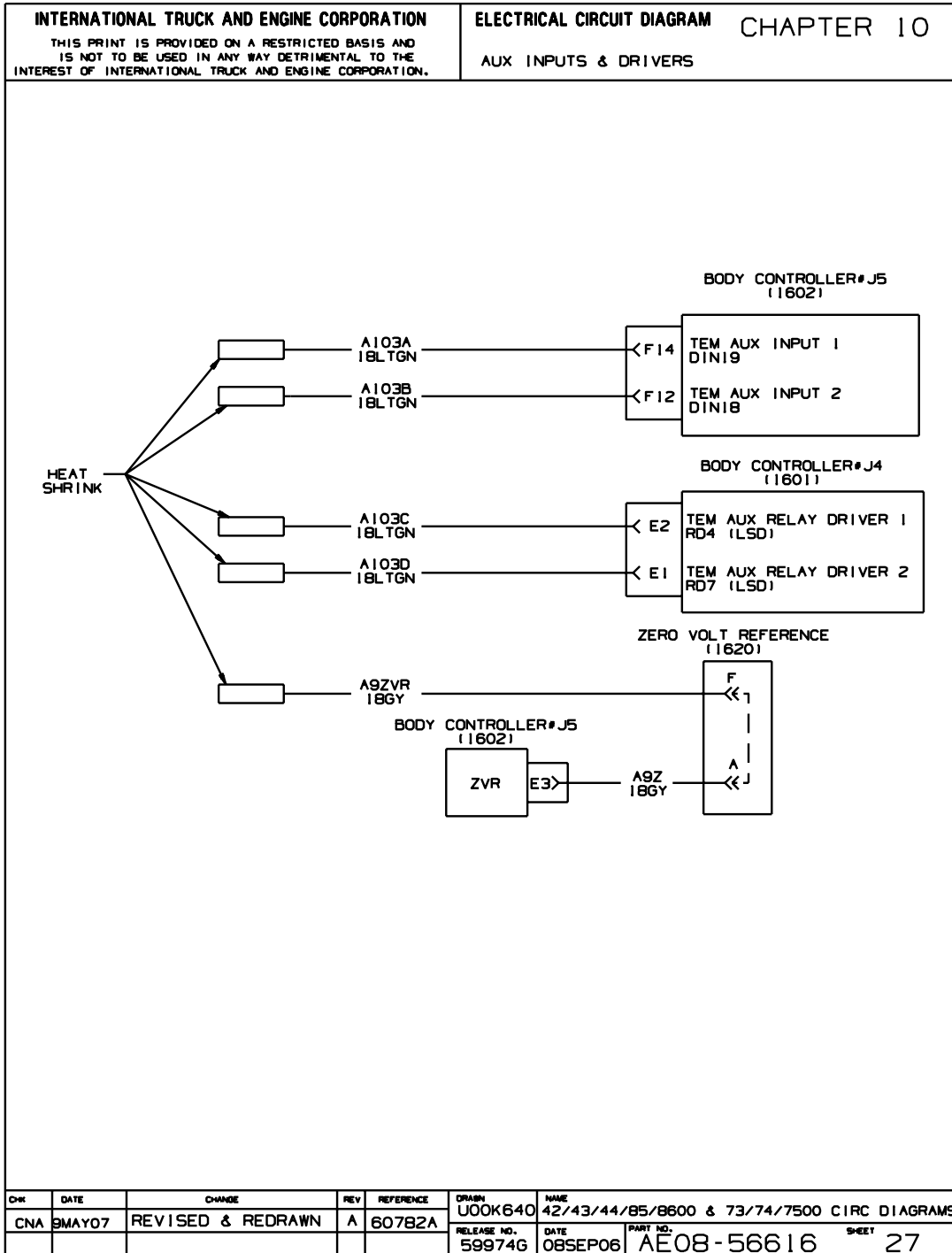


Figure 162 Aux Inputs and Drivers

10.28. FUEL TRANSFER PUMP, P. 28

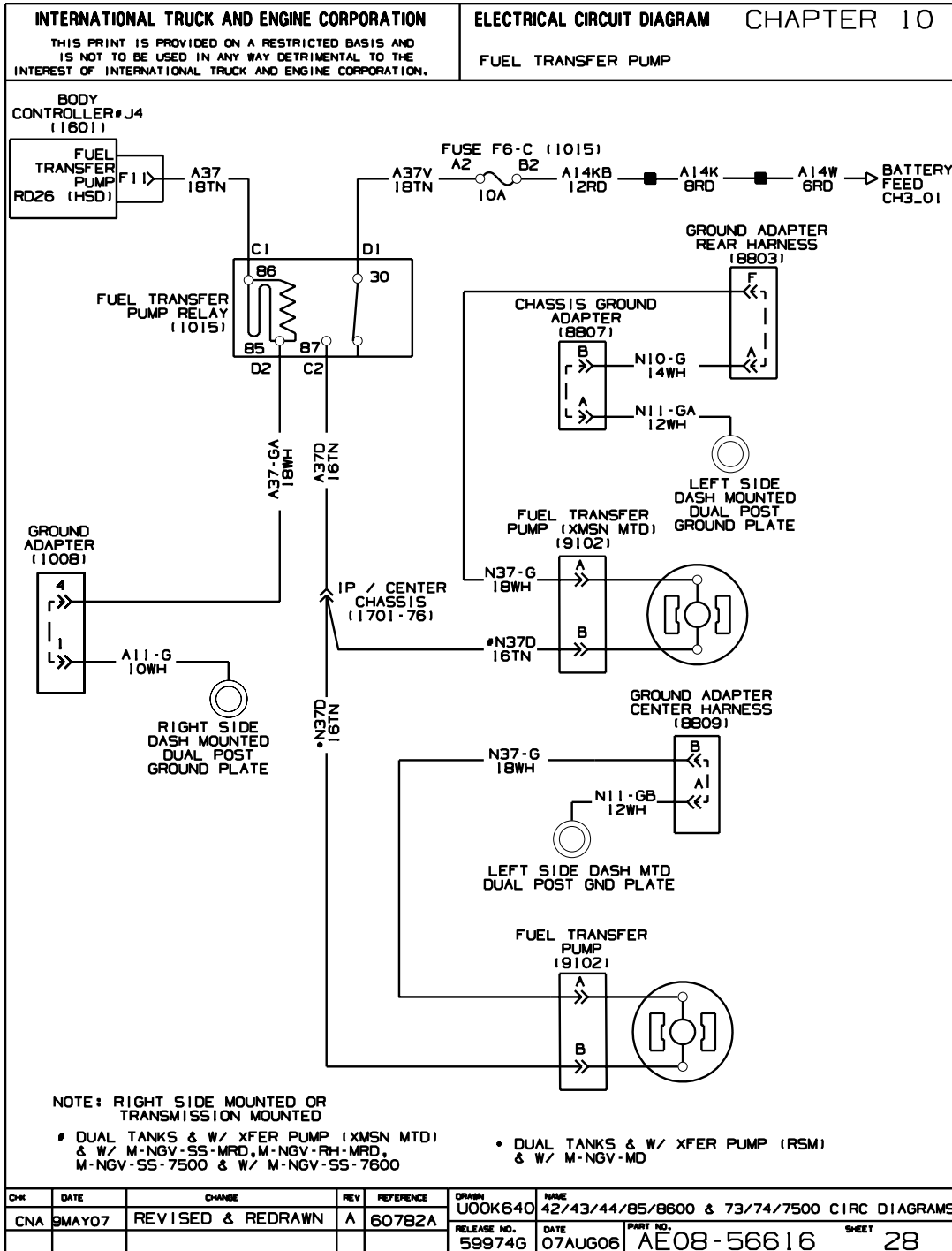


Figure 163 Fuel Transfer Pump

10.29. BLANK PAGE, P. 29

INTERNATIONAL TRUCK AND ENGINE CORPORATION <small>THIS PRINT IS PROVIDED ON A RESTRICTED BASIS AND IS NOT TO BE USED IN ANY WAY DETRIMENTAL TO THE INTEREST OF INTERNATIONAL TRUCK AND ENGINE CORPORATION.</small>				ELECTRICAL CIRCUIT DIAGRAM CHAPTER 10			
<p style="font-size: 24px; margin: 0;">INTENTIONALLY</p> <p style="font-size: 24px; margin: 0;">LEFT BLANK</p>							
<small>CHK</small>	<small>DATE</small>	<small>CHANGE</small>	<small>REV</small>	<small>REFERENCE</small>	<small>DRAWN</small> U00K640	<small>NAME</small> 42/43/44/85/8600 & 73/74/7500 CIRC DIAGRAMS	
					<small>RELEASE NO.</small> 59974G	<small>DATE</small> 07AUG06	
					<small>PART NO.</small> AF08-56616	<small>SHEET</small> 29	

Figure 164 Blank Page

10.30. TELEMATICS AWARE — BODY BUILDER, P. 30

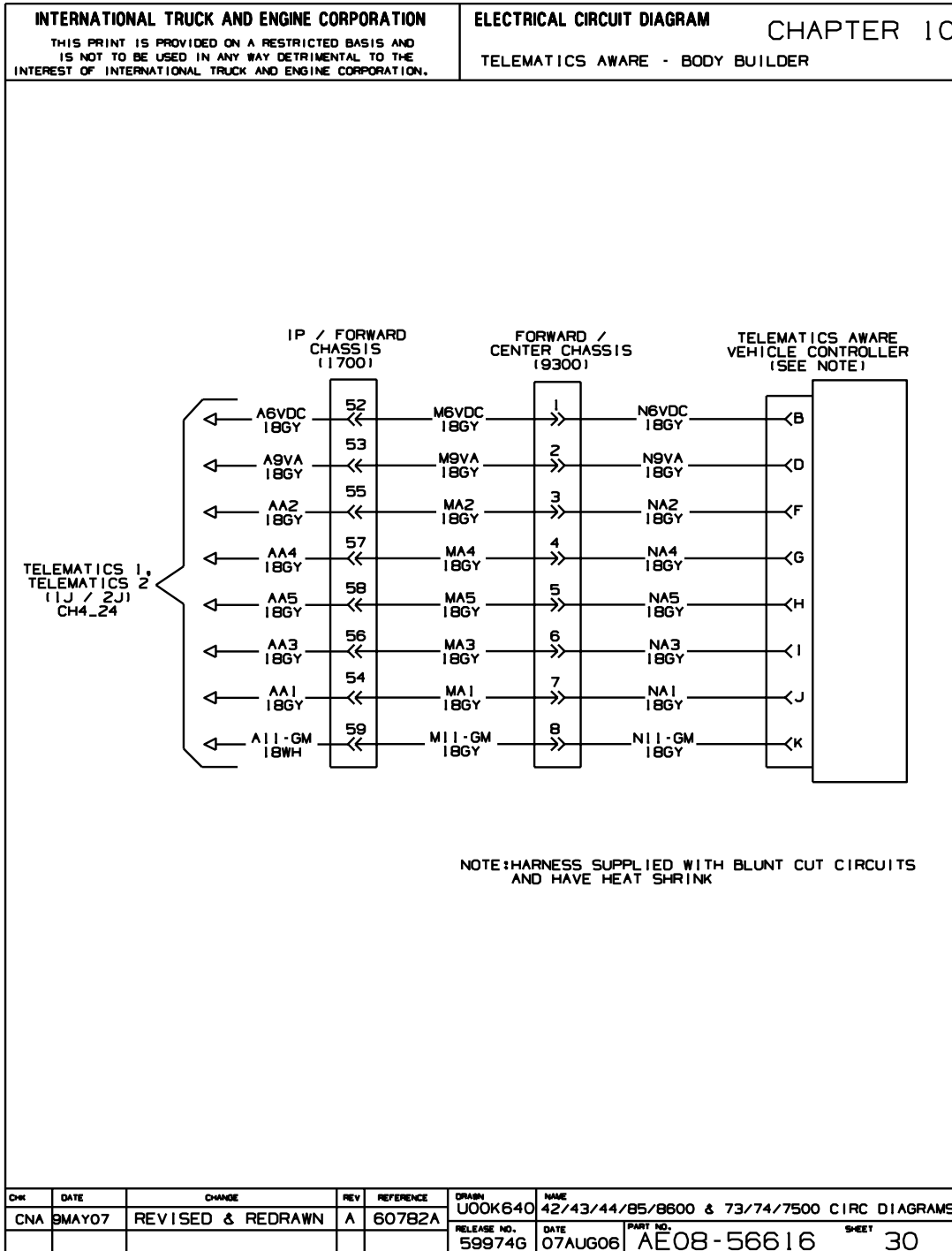


Figure 165 Telematics Aware — Body Builder

10.31. PRESSURE SWITCH, P. 31

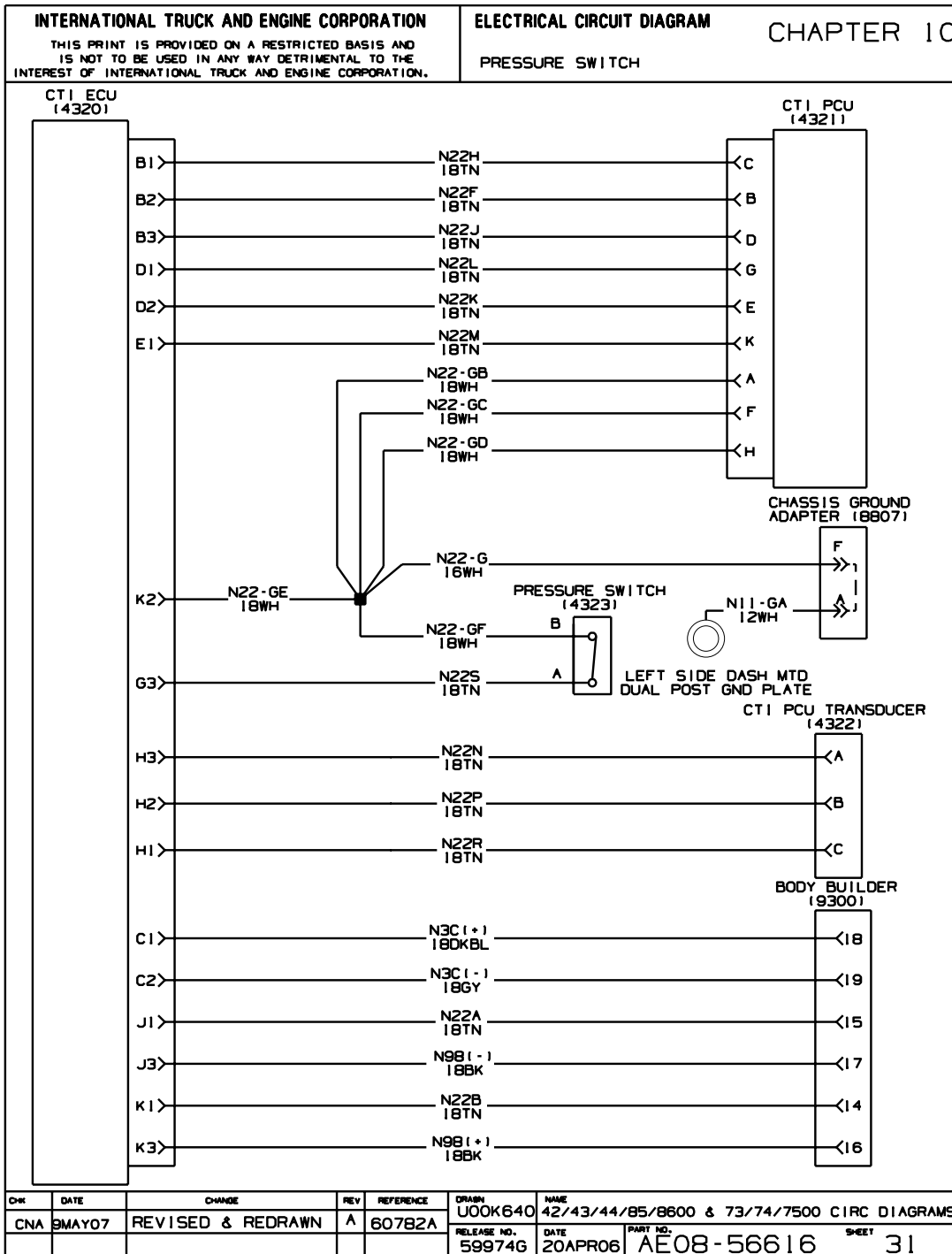


Figure 166 Pressure Switch

10.32. LIFT GATE, P. 32

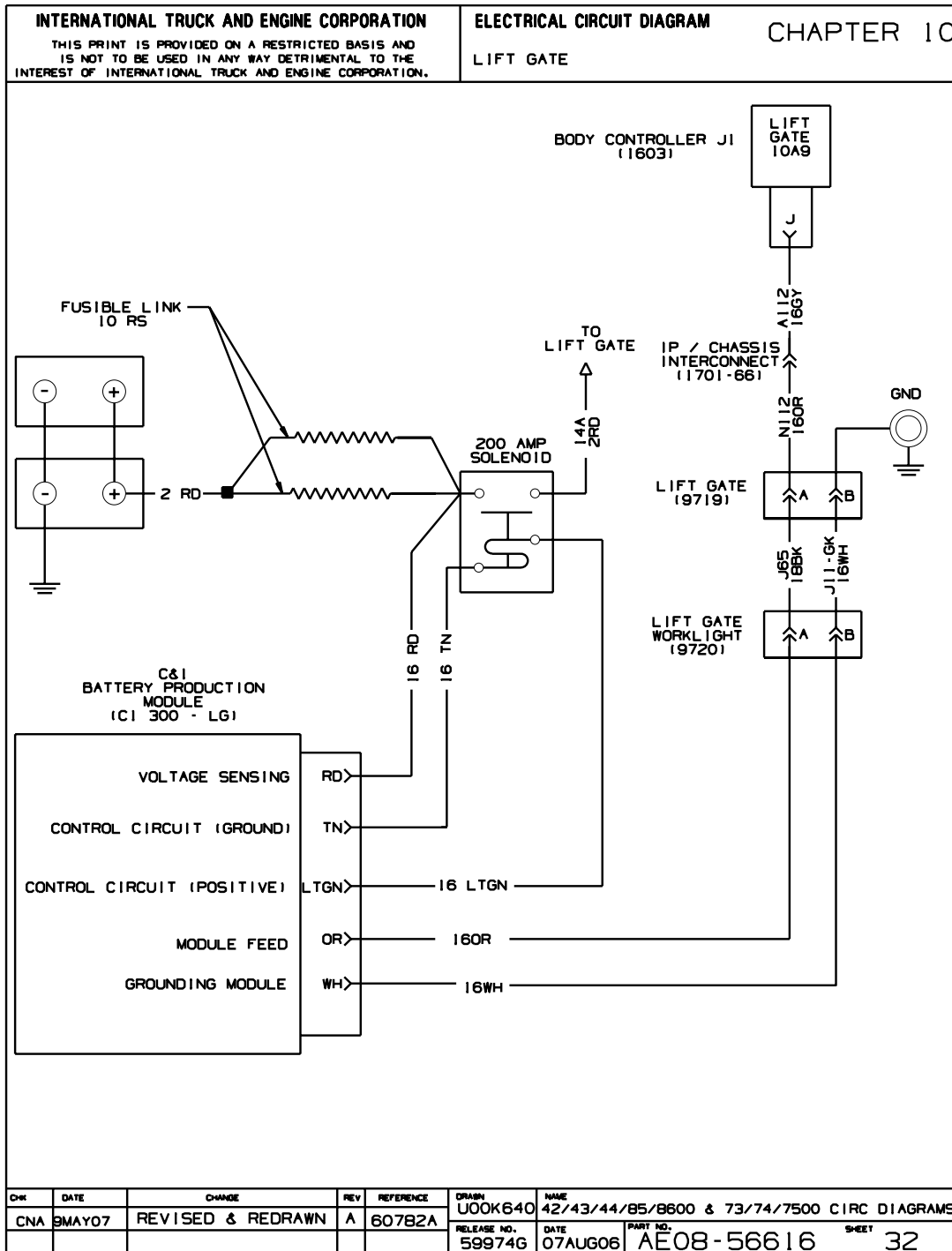


Figure 167 Lift Gate

10.34. LIFT AXLE WITH CONTROLS FOR ONE LIFT AXLE, P. 34

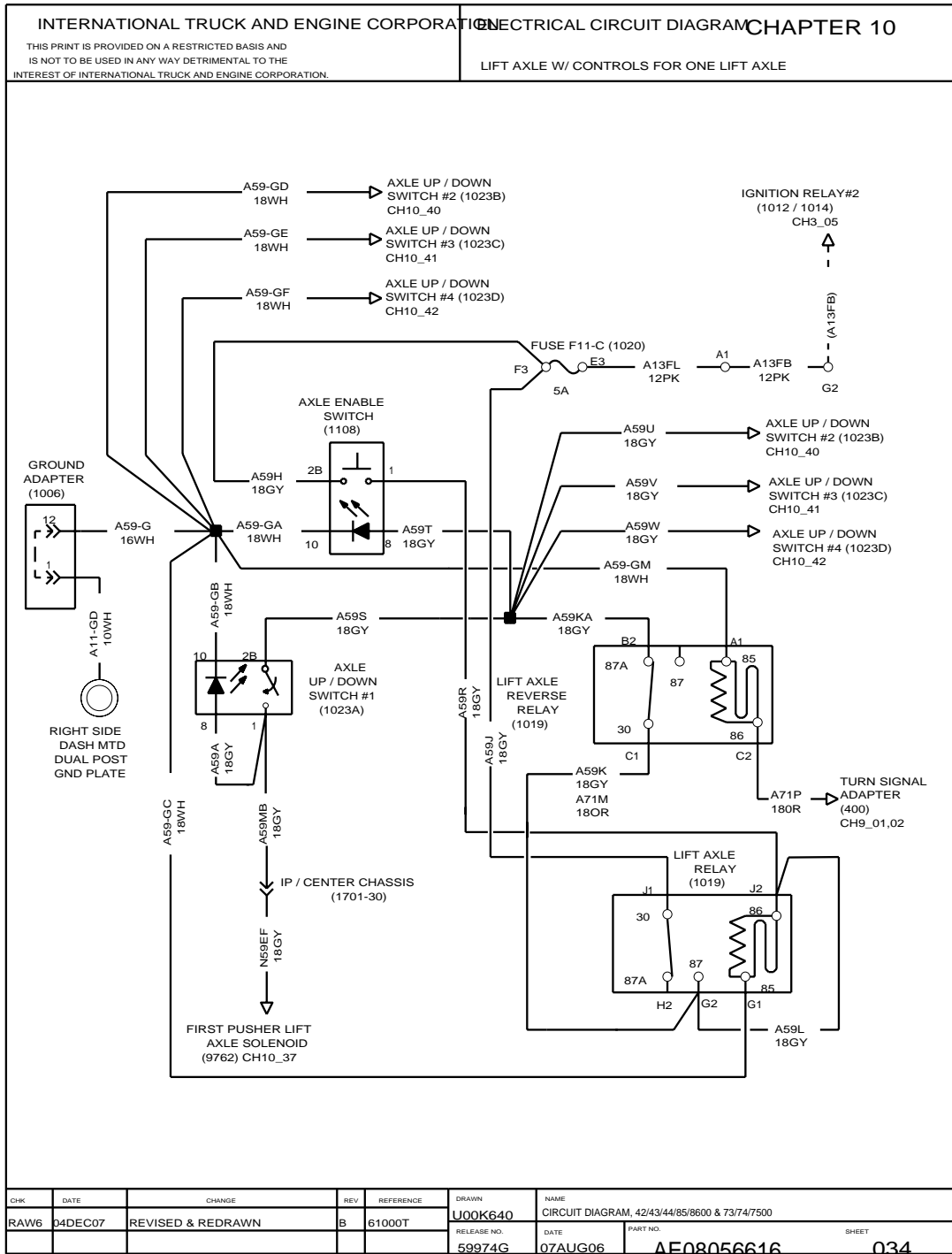


Figure 169 Lift Axle with Controls for One Lift Axle

10.35. LIFT AXLE (NON-STEERABLE), P. 35

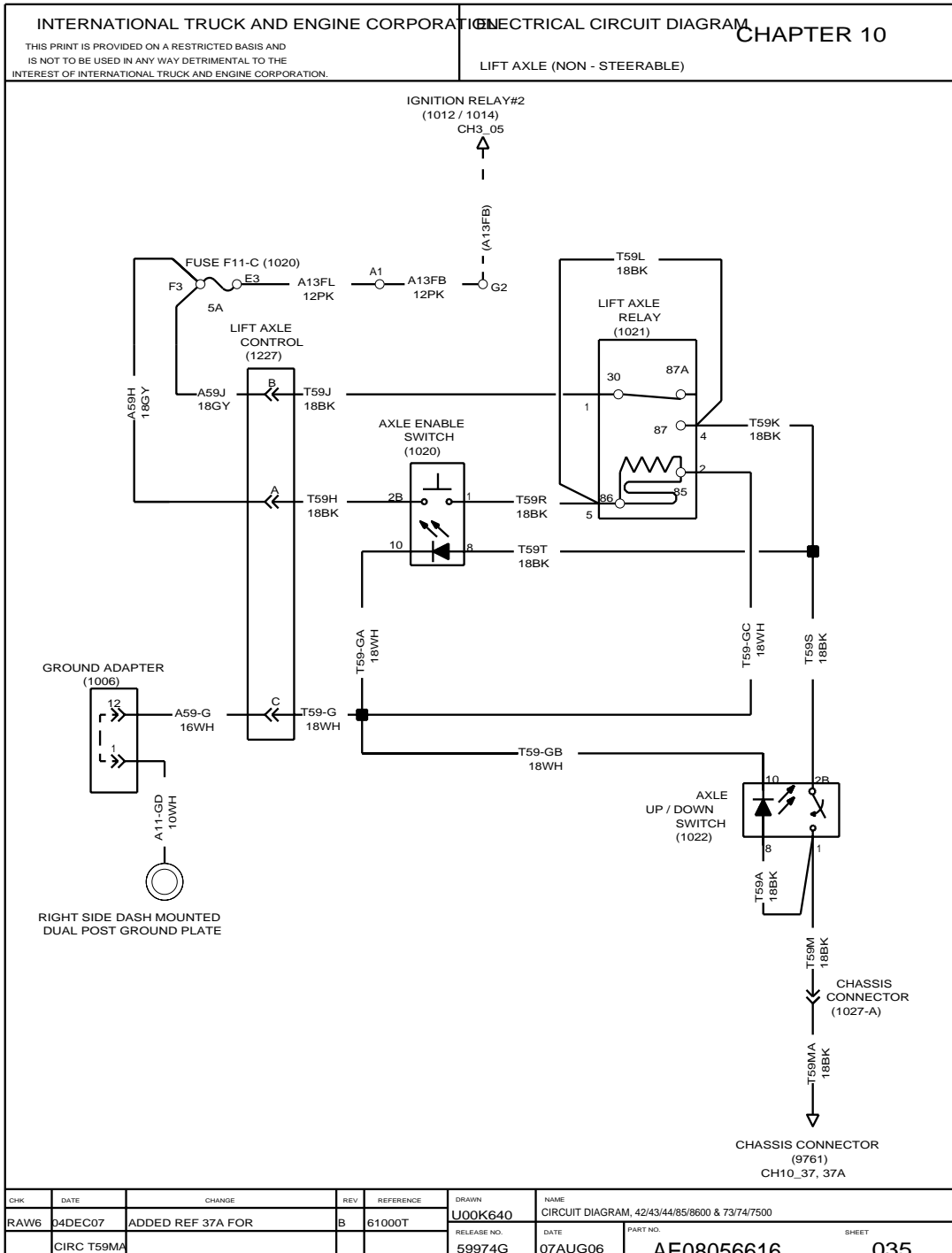


Figure 170 Lift Axle (Non-Steerable)

10.36. LIFT AXLE (STEERABLE), P. 36

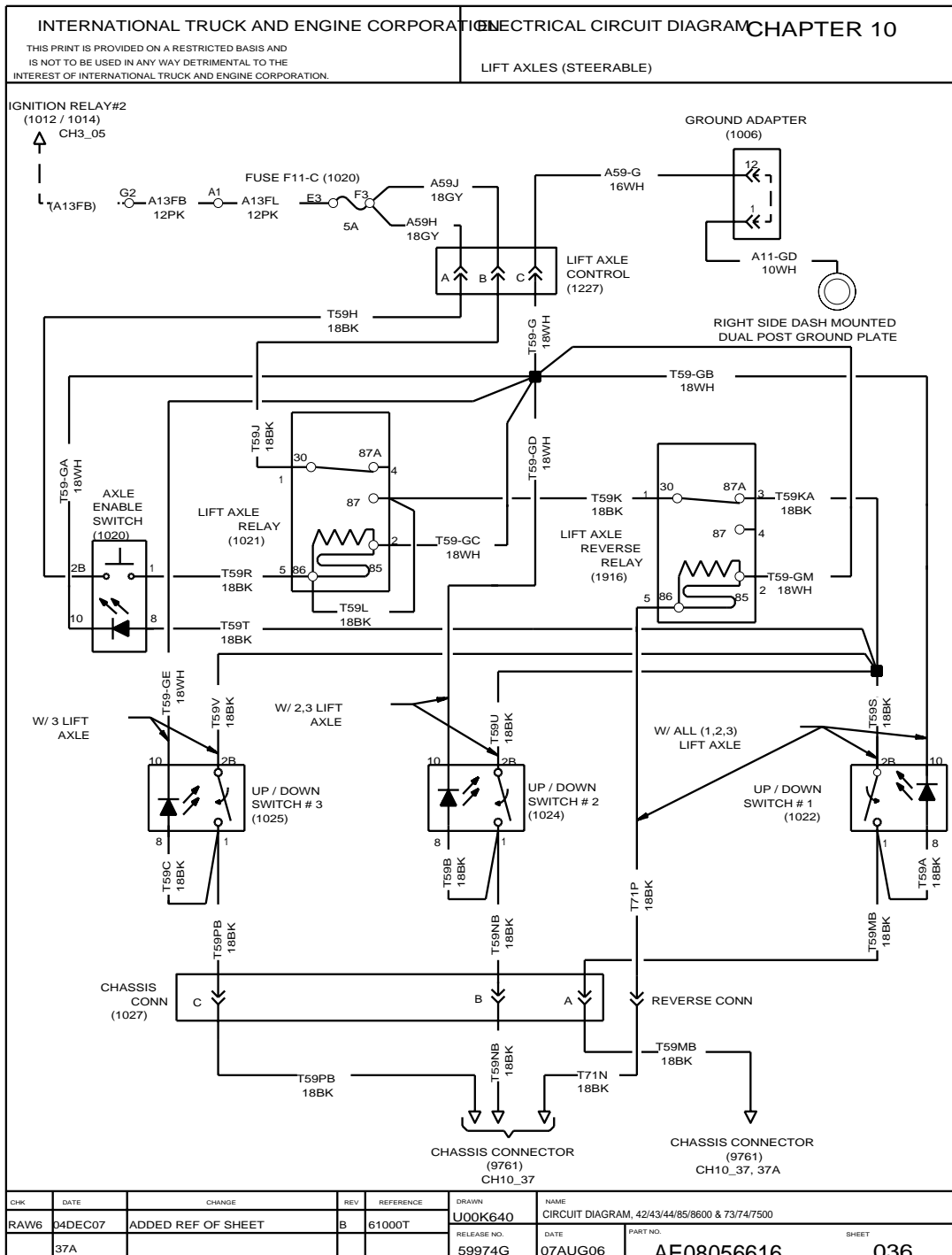


Figure 171 Lift Axle (Steerable)

10.38. LIFT AXLES, P. 37A

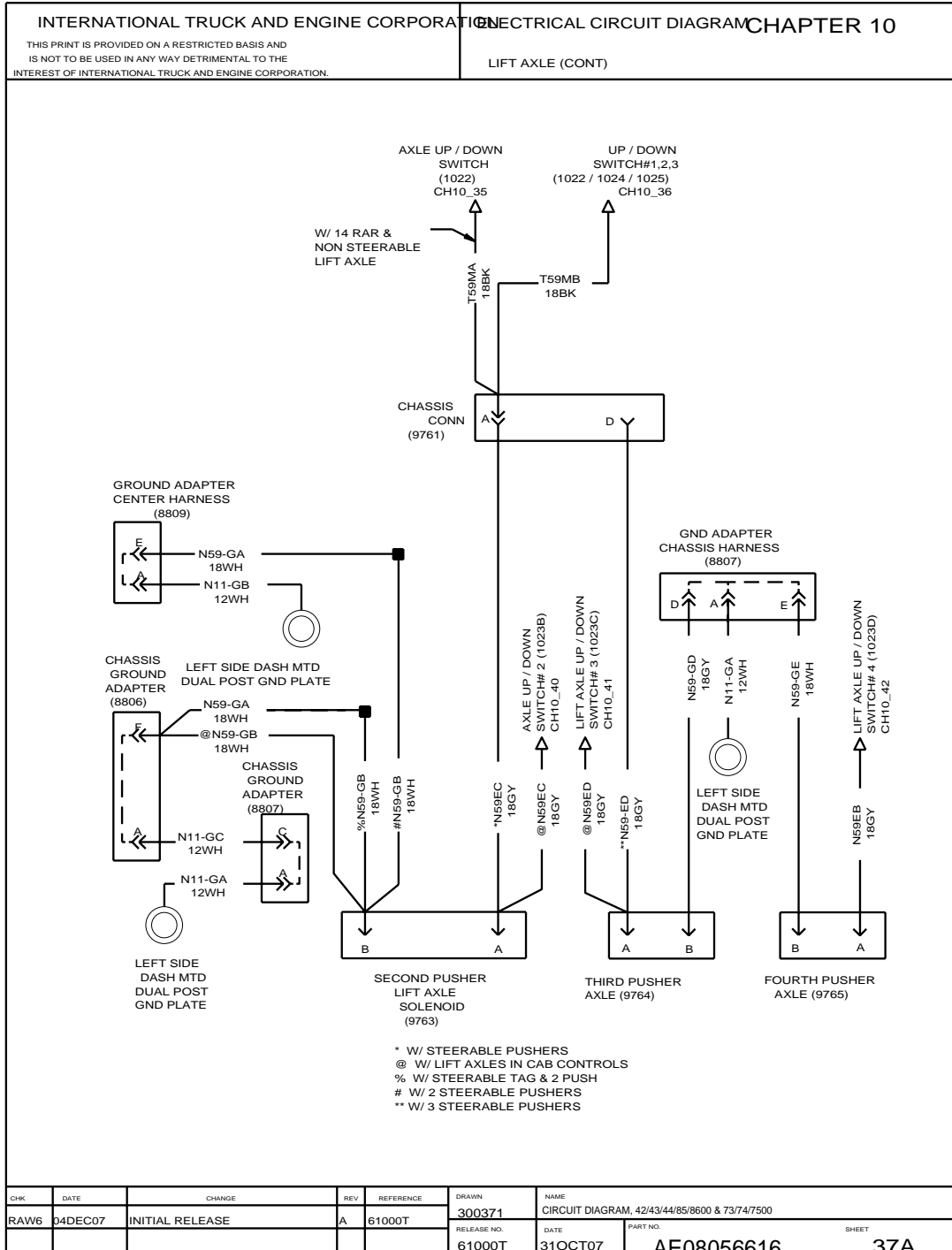


Figure 173 Lift Axles

10.39. ABS — BENDIX AIR 6S/6M, P. 38

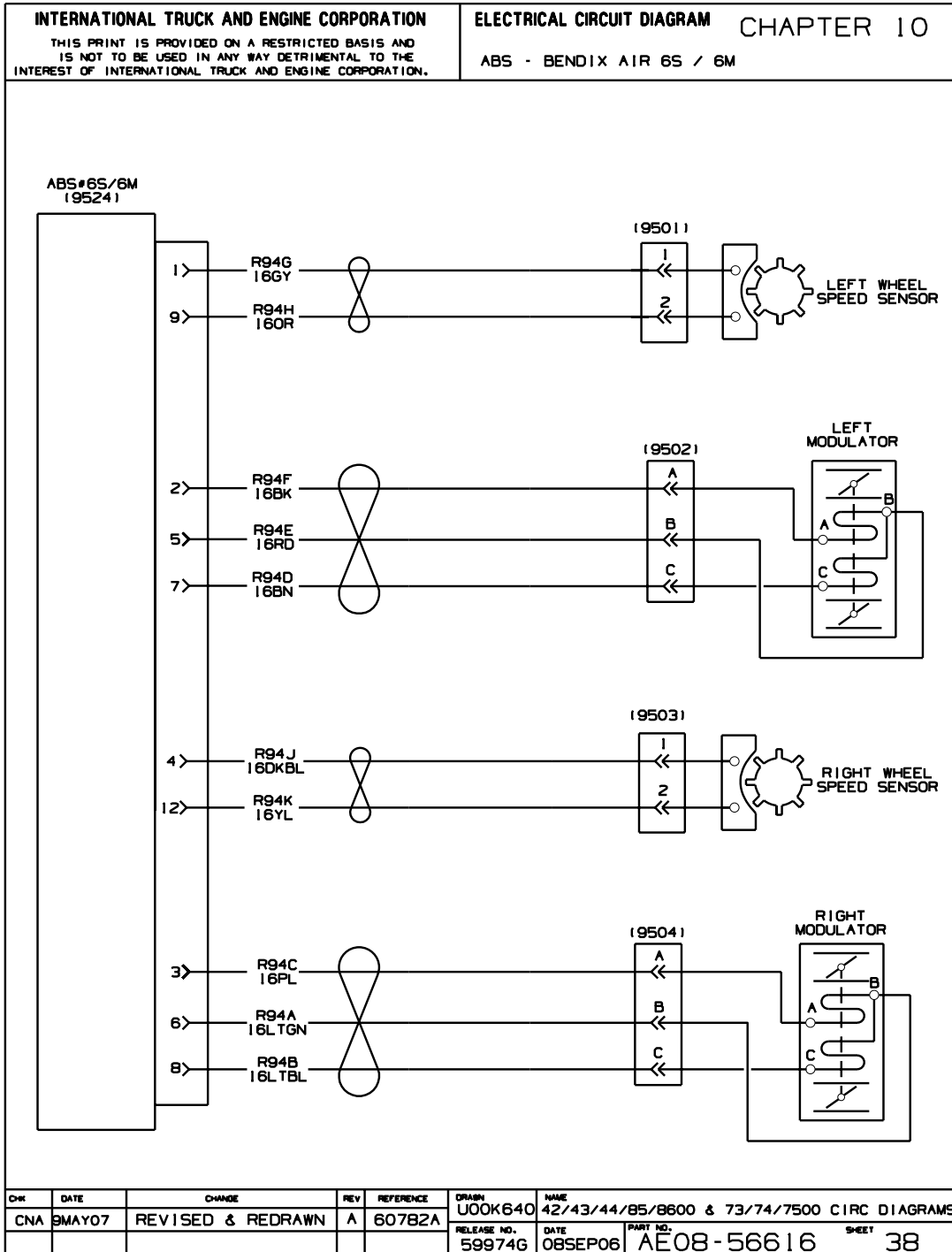


Figure 174 ABS — Bendix Air 6S/6M

10.40. ABS — BENDIX AIR 6S/6M, P. 39

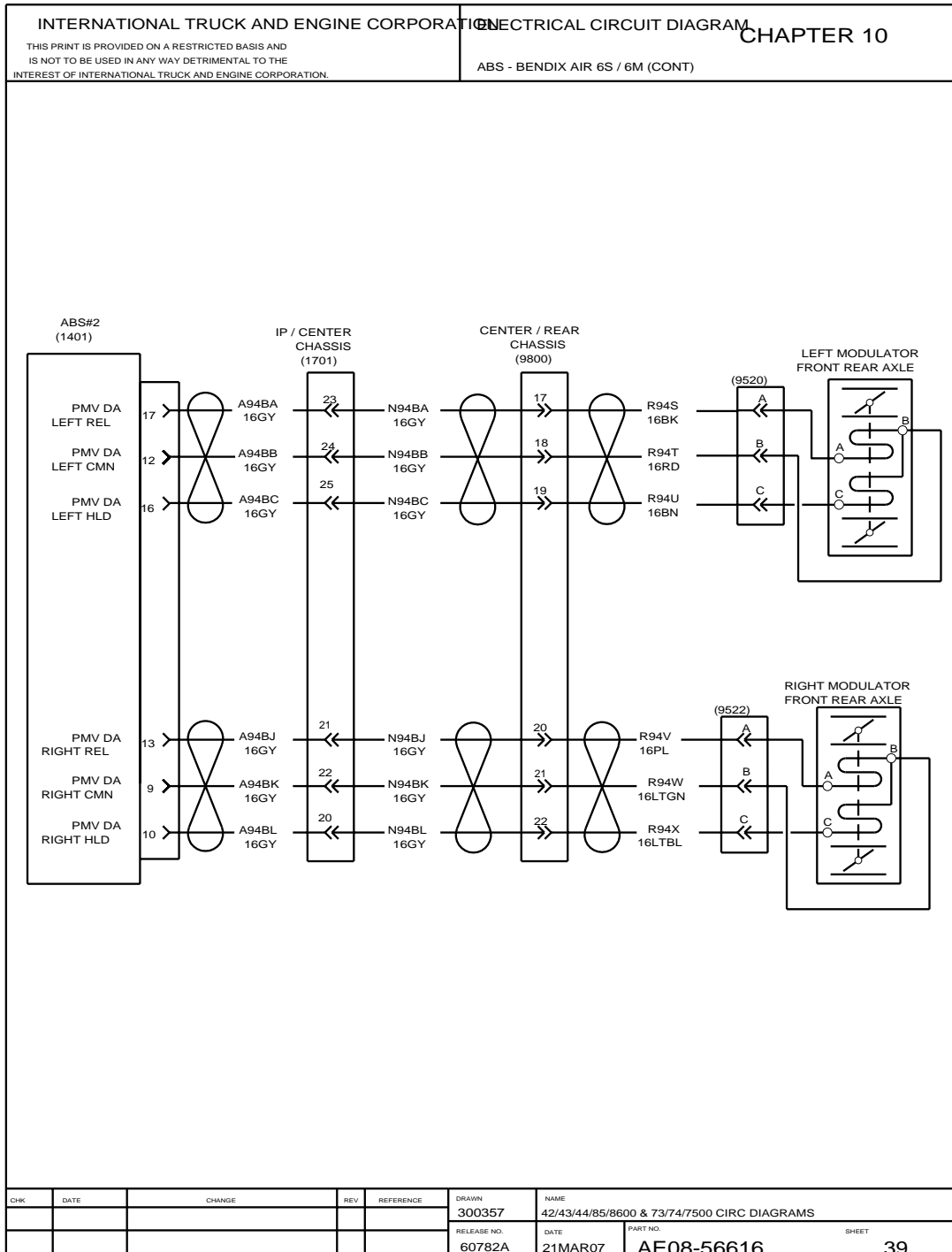


Figure 175 ABS — Bendix Air 6S/6M

10.41. LIFT AXLE WITH CONTROLS FOR TWO LIFT AXLES, P. 40

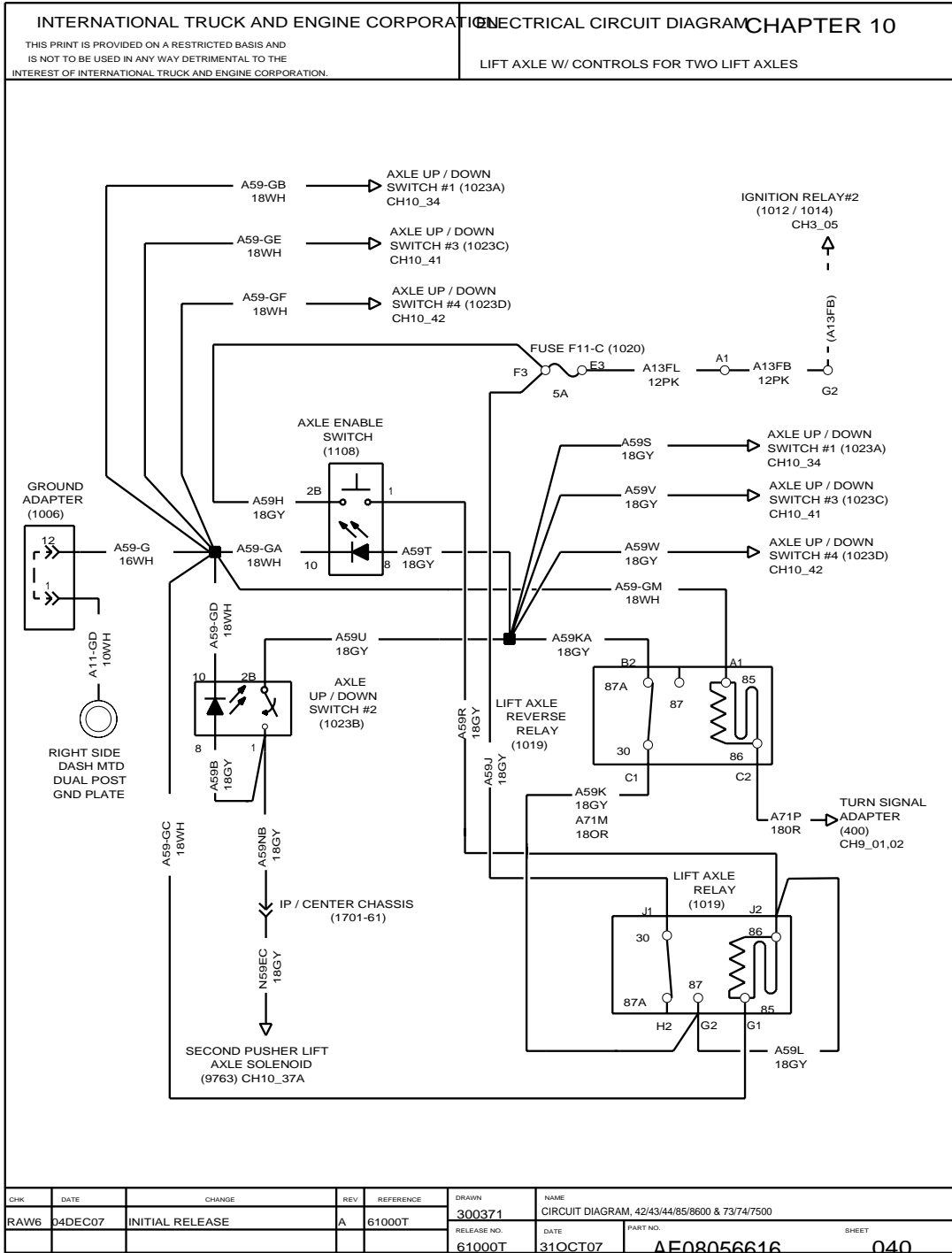


Figure 176 Lift Axle with Controls for Two Lift Axles

10.42. LIFT AXLE WITH CONTROLS FOR THREE LIFT AXLES, P. 41

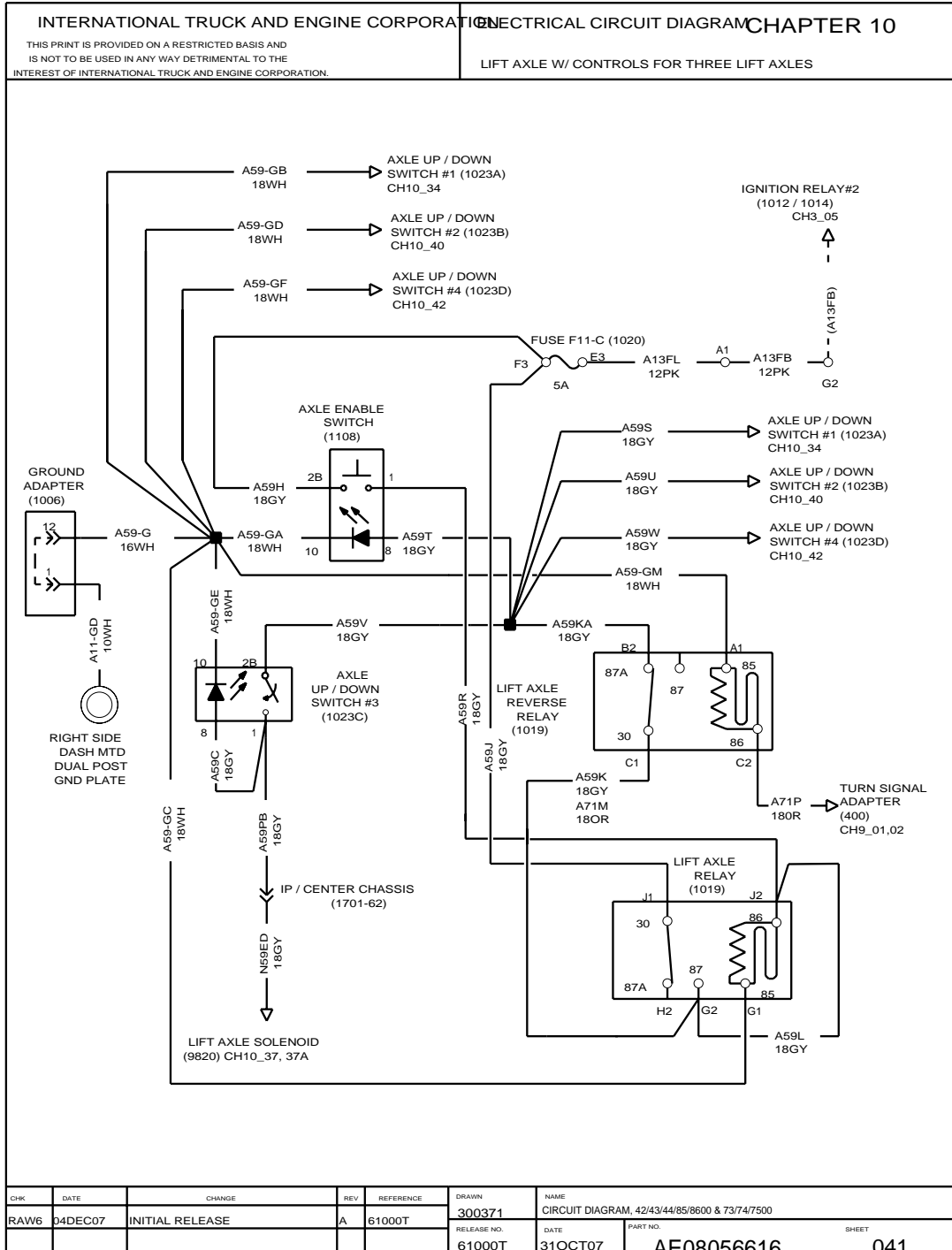


Figure 177 Lift Axle with Controls for Three Lift Axles

10.43. LIFT AXLE WITH CONTROLS FOR FOUR LIFT AXLES, P. 42

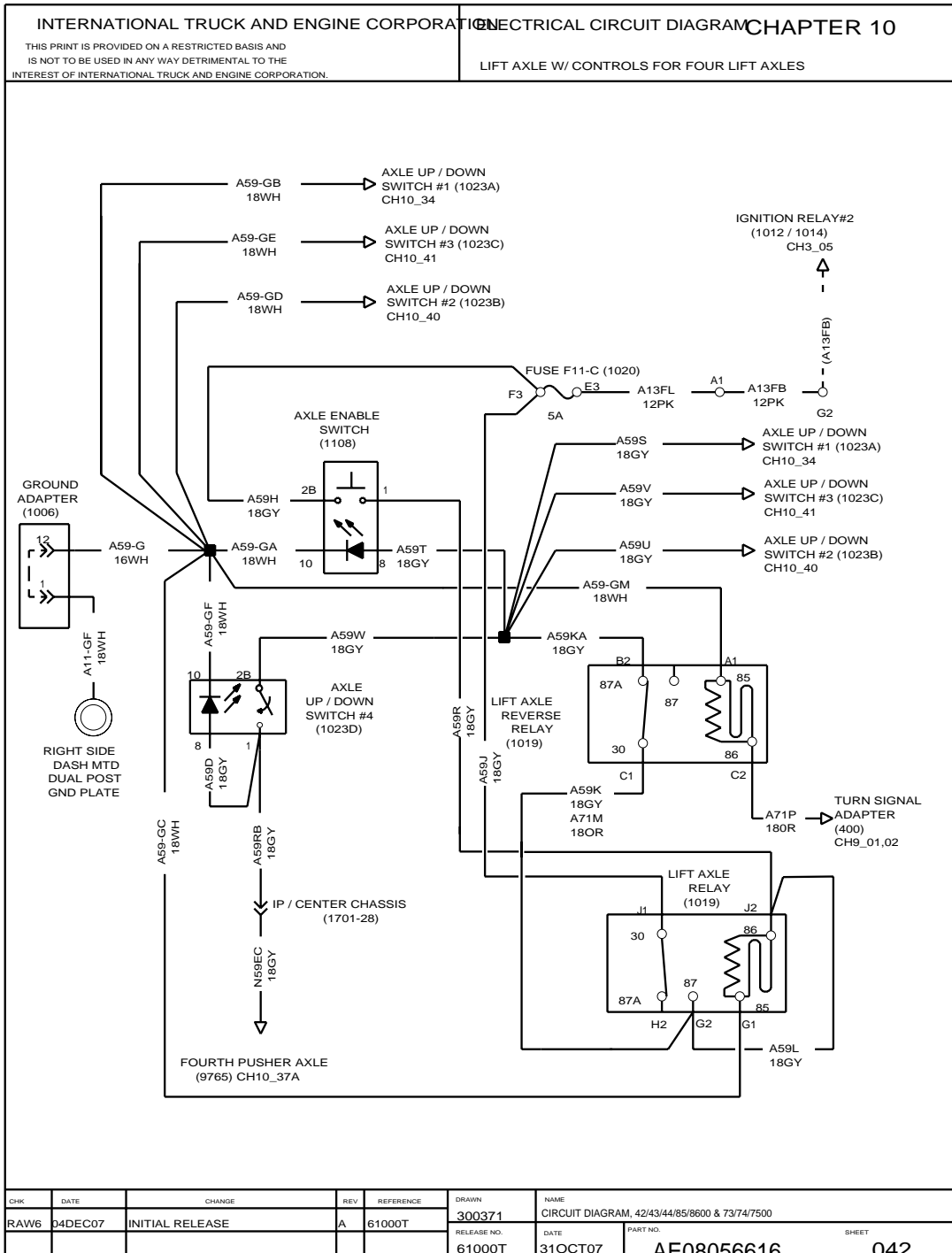


Figure 178 Lift Axle with Controls for Four Lift Axles

10.44. ABS ESP / RSP, P. 43

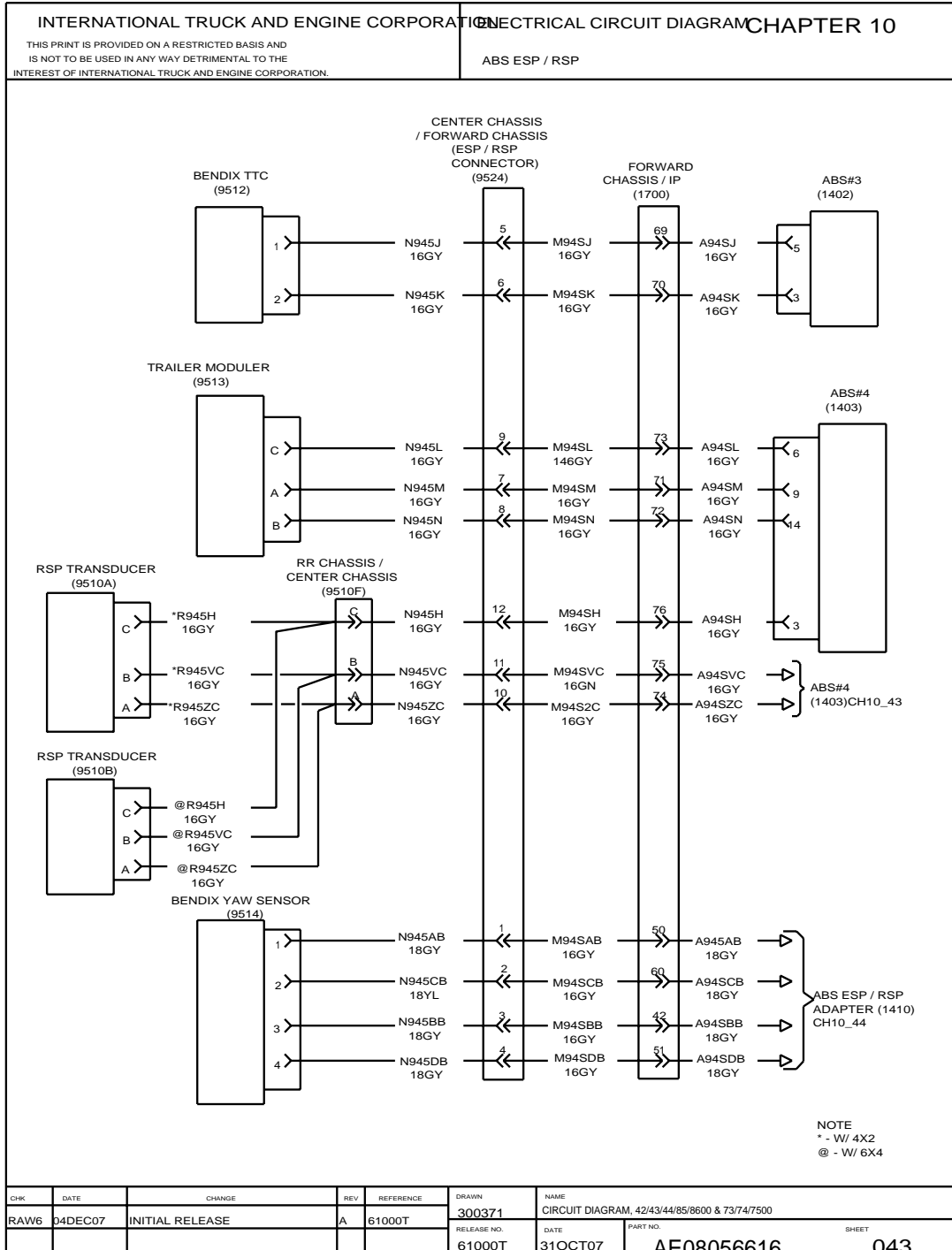


Figure 179 ABS ESP / RSP

10.45. ABS ESP / RSP, P. 44

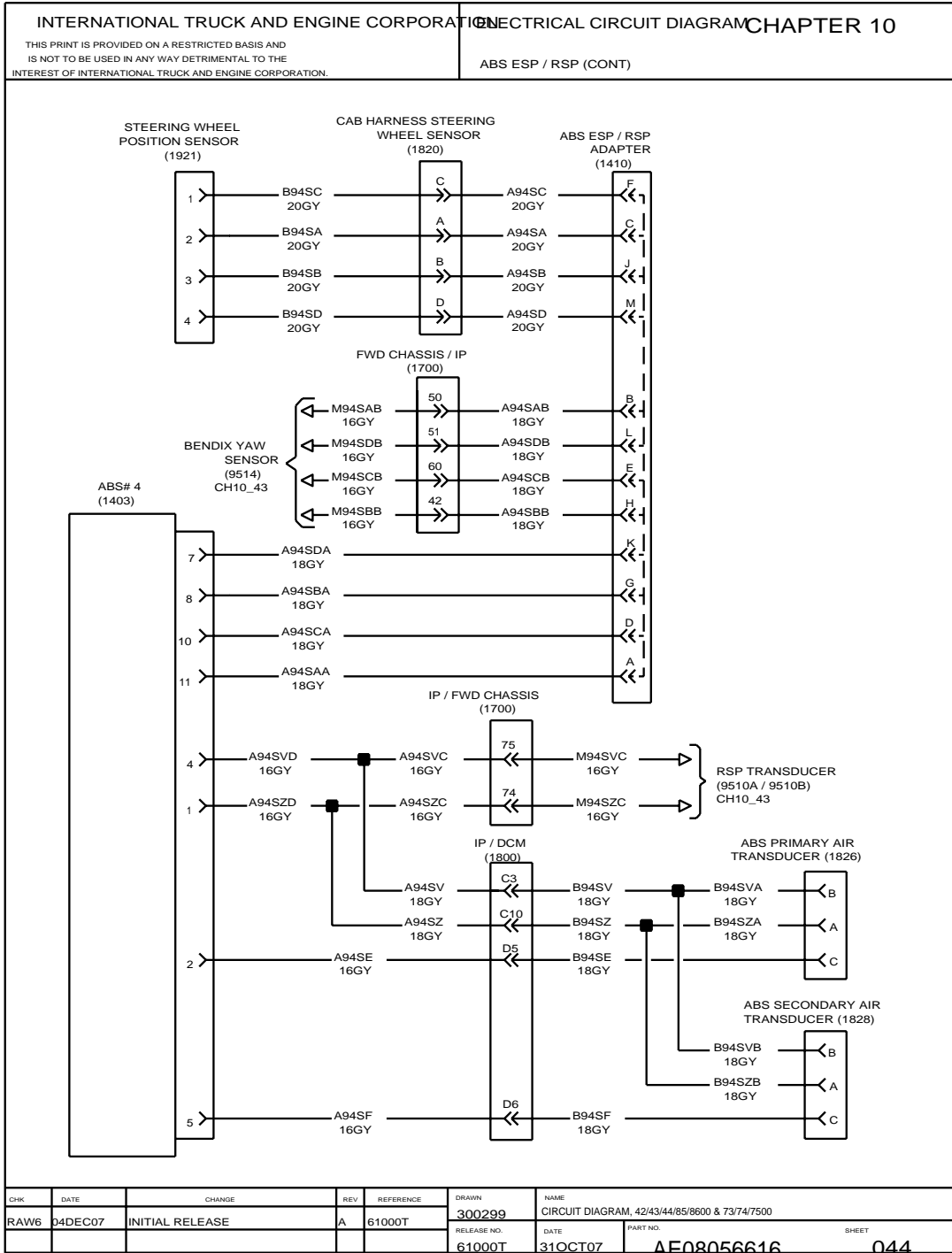


Figure 180 ABS ESP / RSP

11. TRANSMISSIONS (CHAPTER 11)

11.1. ALLISON GEN 4 1/2000 TRANSMISSION WITH I6 AND WITH V8 ENGINE, P. 1

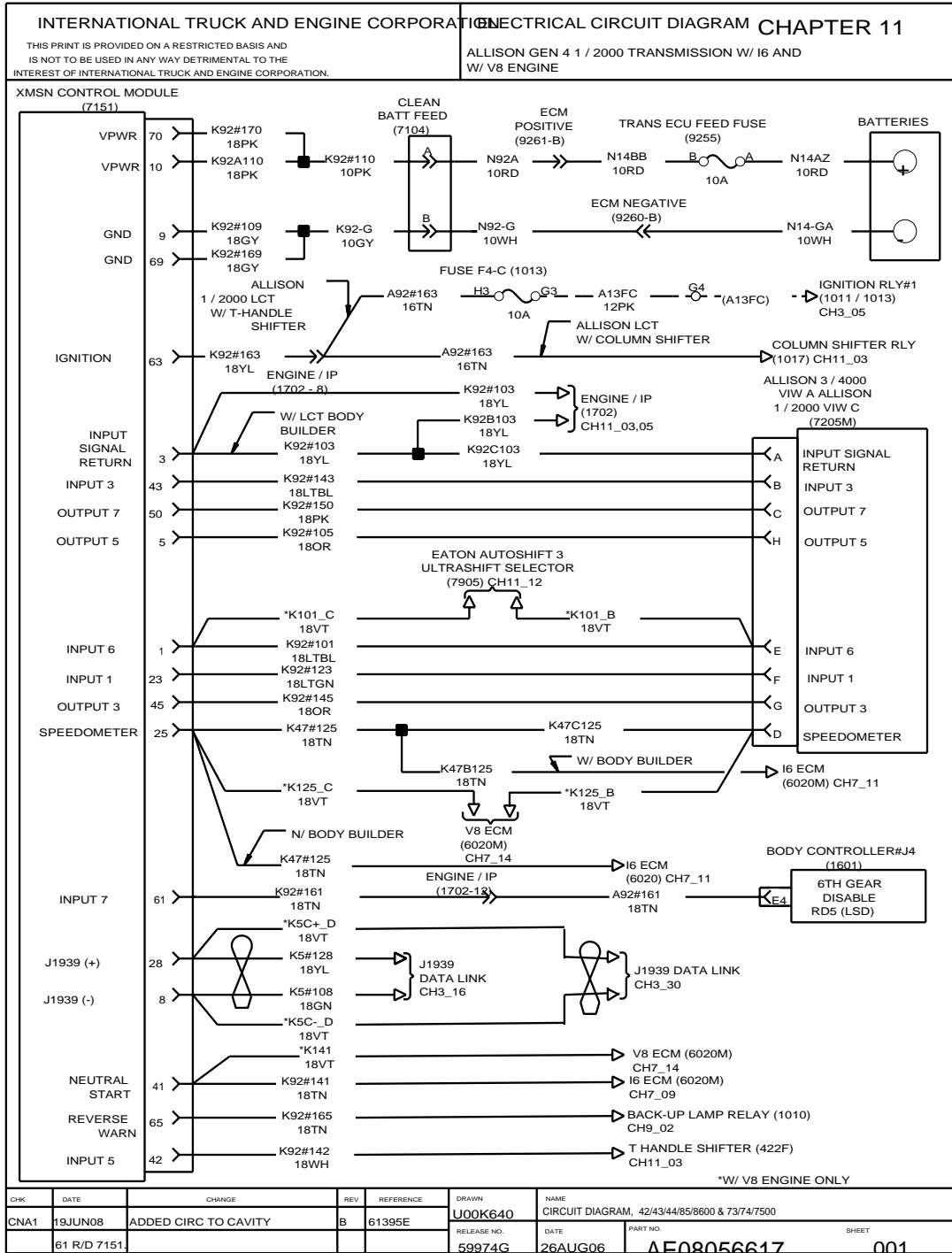


Figure 181 Allison GEN 4 1/2000 Transmission with I6 and with V8 Engine

11.2. ALLISON GEN 4 1/2000 TRANSMISSION WITH I6 AND WITH V8 ENGINE, P. 2

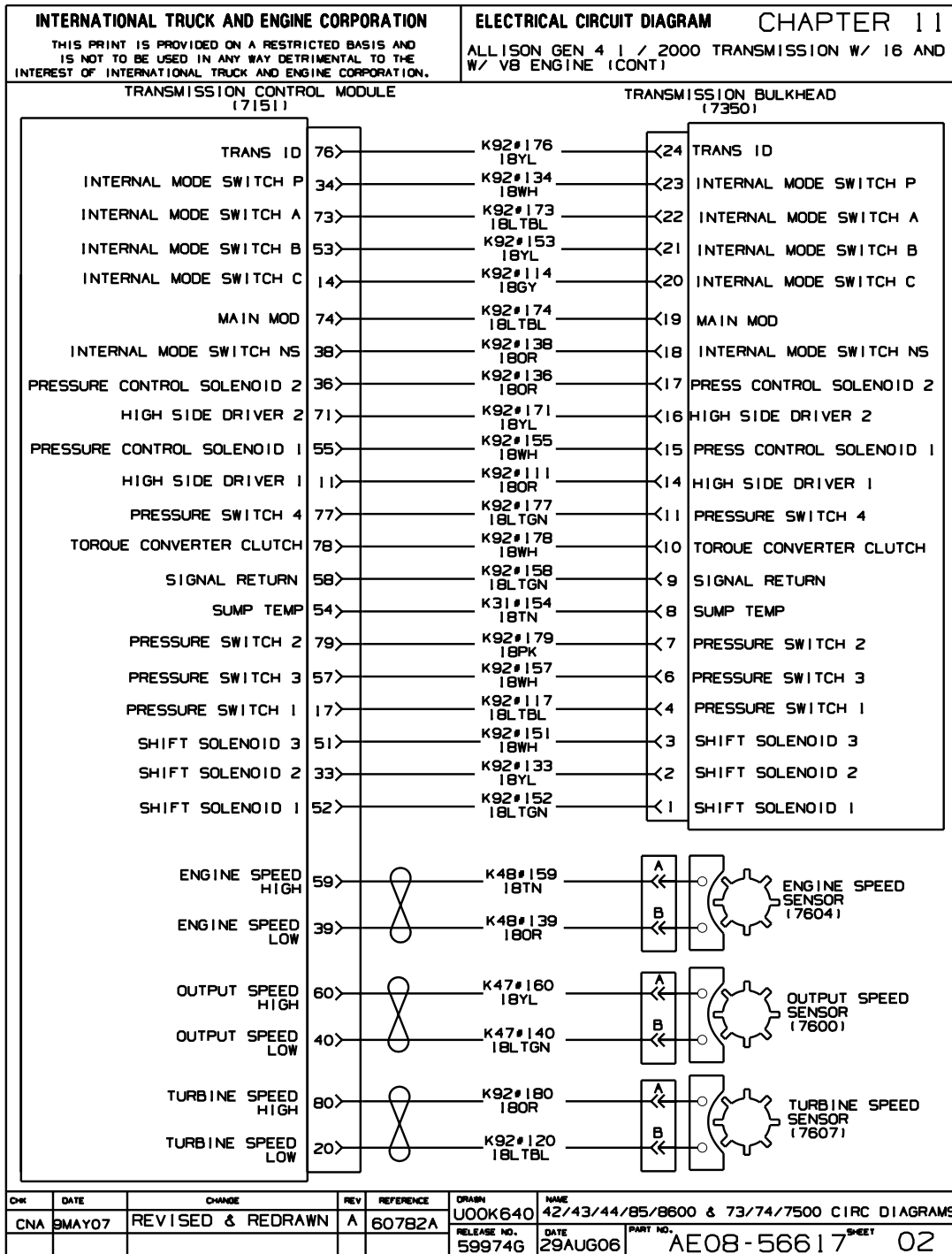


Figure 182 Allison GEN 4 1/2000 Transmission with I6 and with V8 Engine (Cont.)

11.3. ALLISON GEN 4 1/2000 TRANSMISSION W/ I6, CAT, ISM ENGINE, P. 3

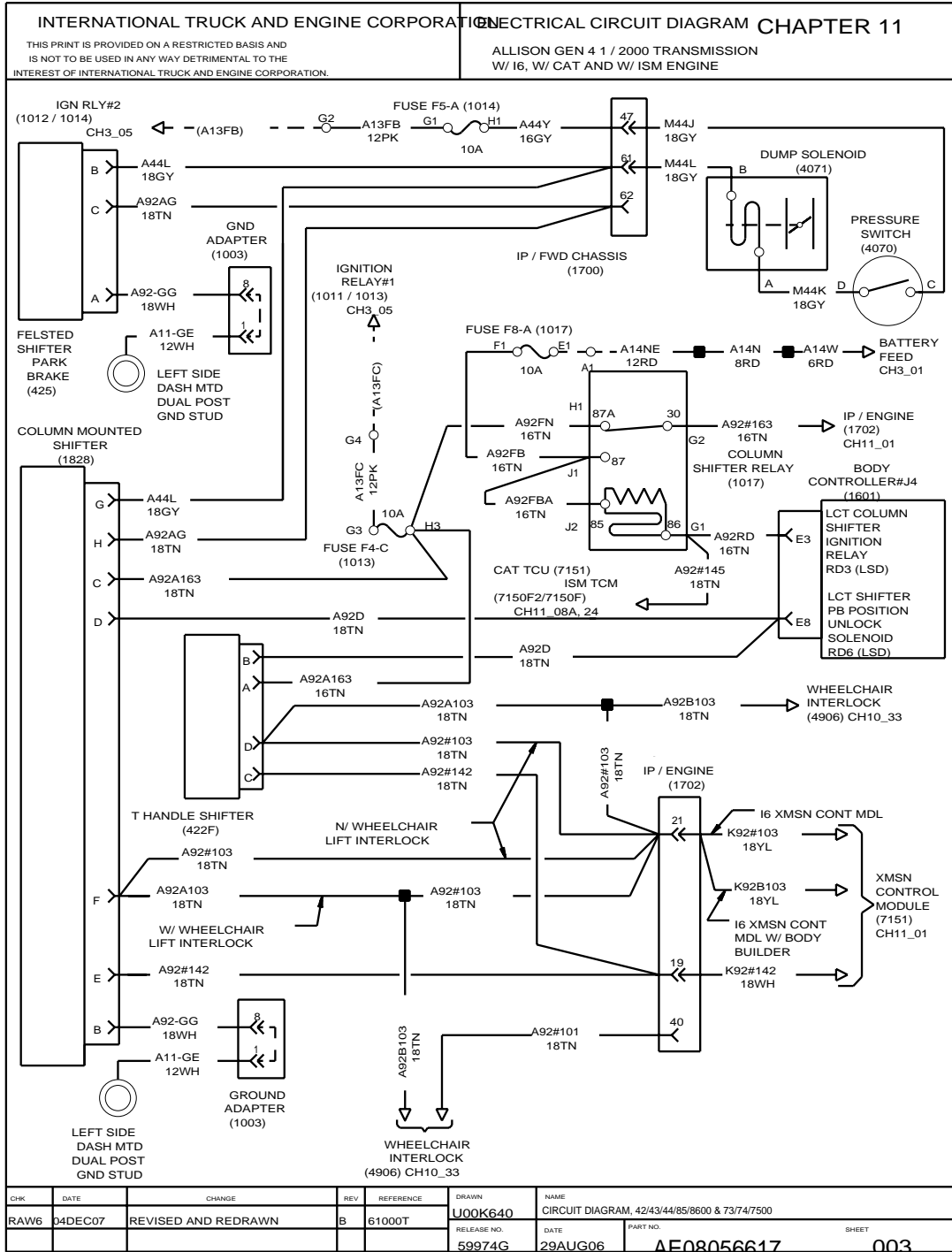


Figure 183 Allison GEN 4 1/2000 Transmission W/ I6, CAT, ISM Engines

11.4. TRANSMISSION, ALLISON MD WITH I6 AND WITH V8 ENGINE, P. 4

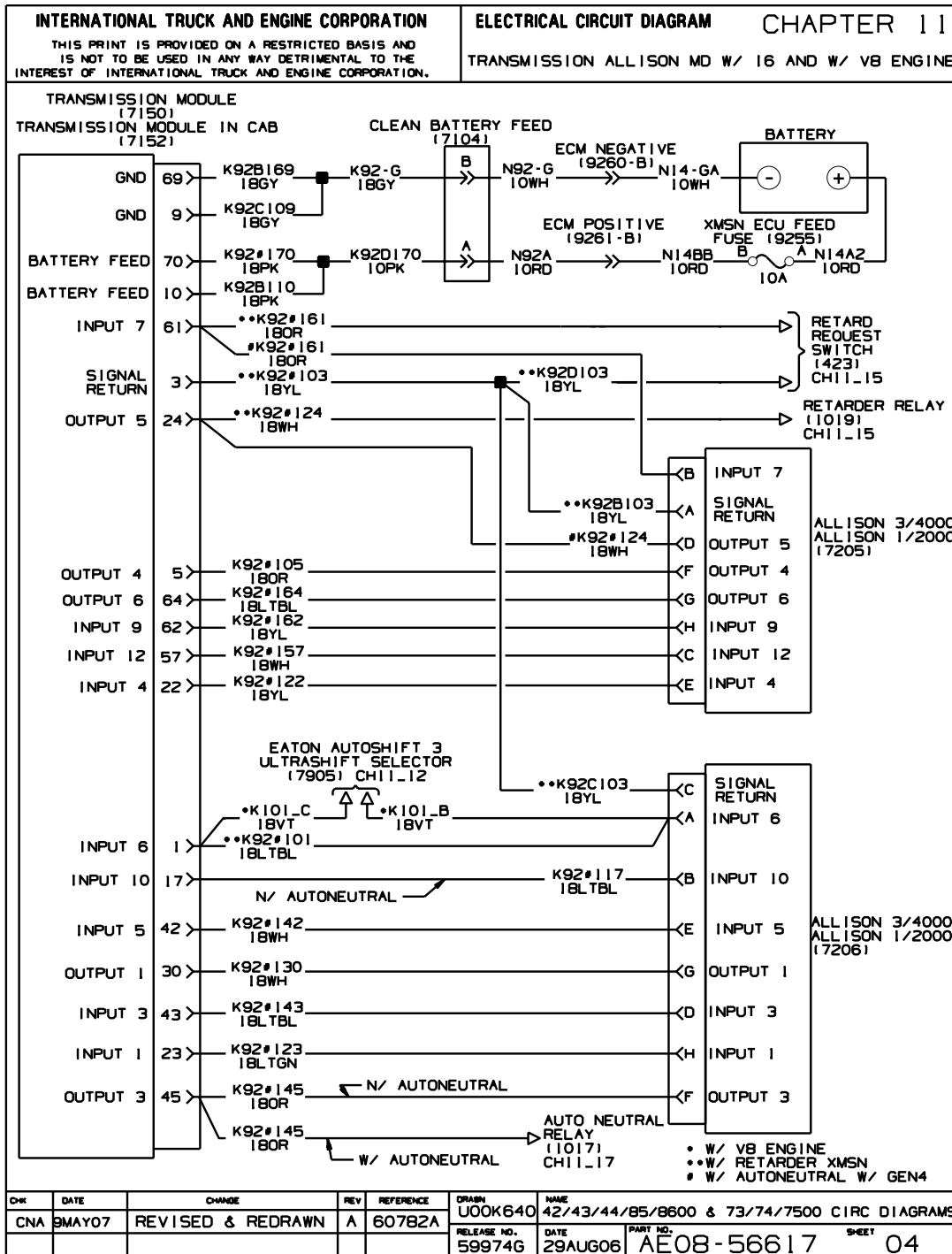


Figure 184 Transmission, Allison MD with I6 and with V8 Engine

11.5. TRANSMISSION, ALLISON MD 3/4000 WITH I6 AND WITH V8 ENGINE, P. 5

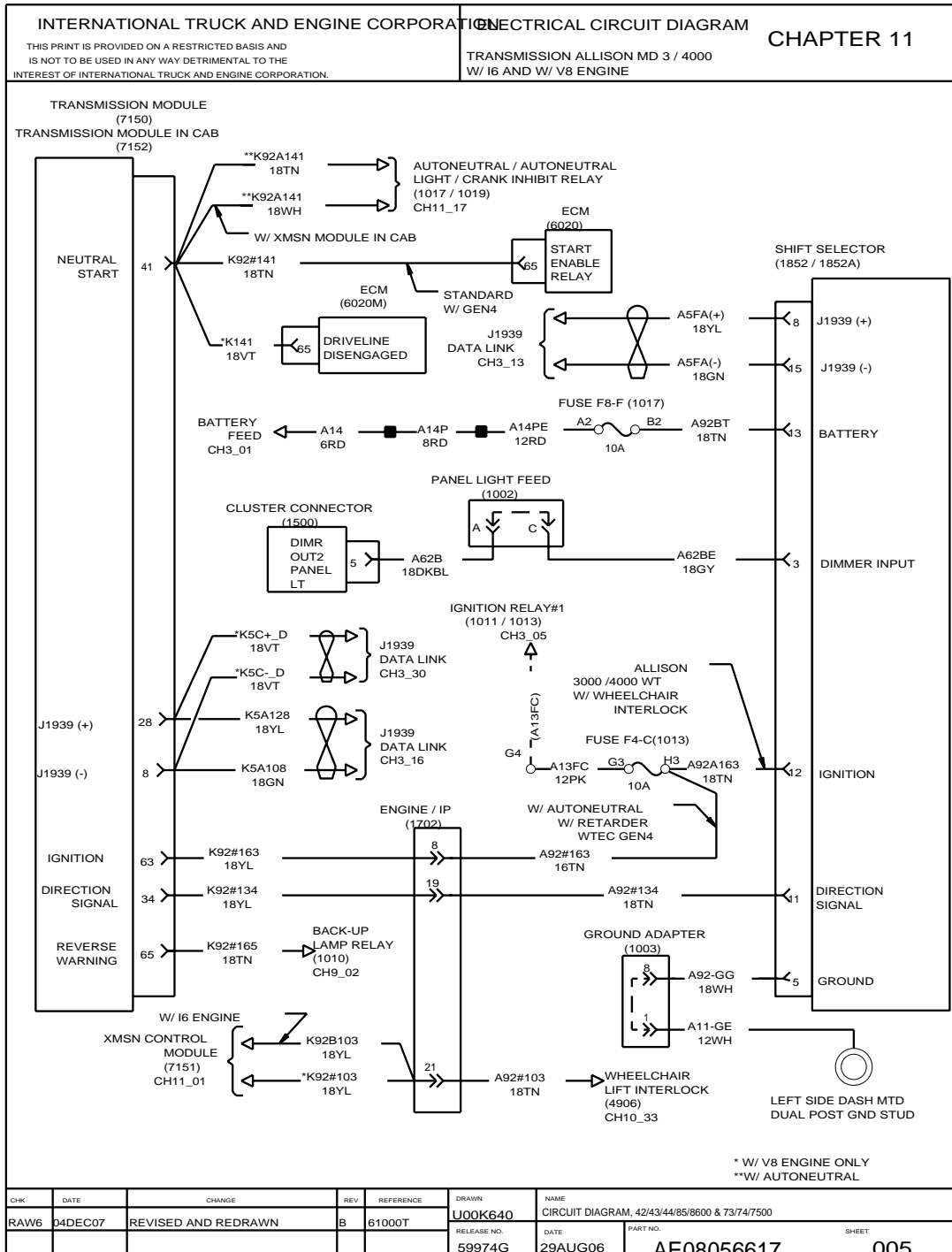


Figure 185 Transmission, Allison MD 3/4000 with I6 and with V8 Engine

11.6. TRANSMISSION, ALLISON MD/HD (WTEC) WITH I6 AND WITH V8 ENGINE, P. 6

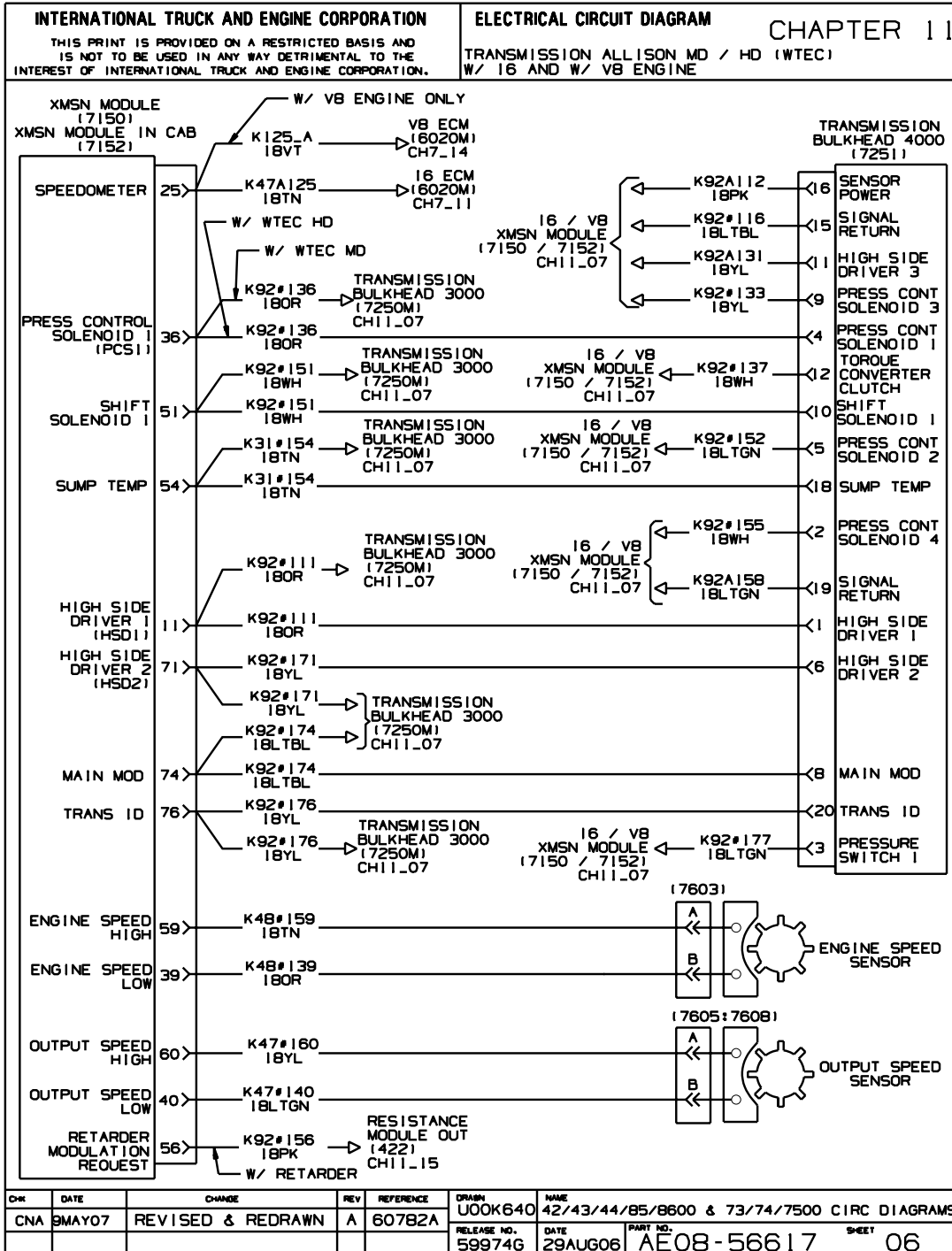


Figure 186 Transmission, Allison MD/HD (WTEC) with I6 and with V8 Engine

11.7. TRANSMISSION, ALLISON MD/HD (WTEC) WITH I6 AND WITH V8 ENGINE
 (CONT.), P. 7

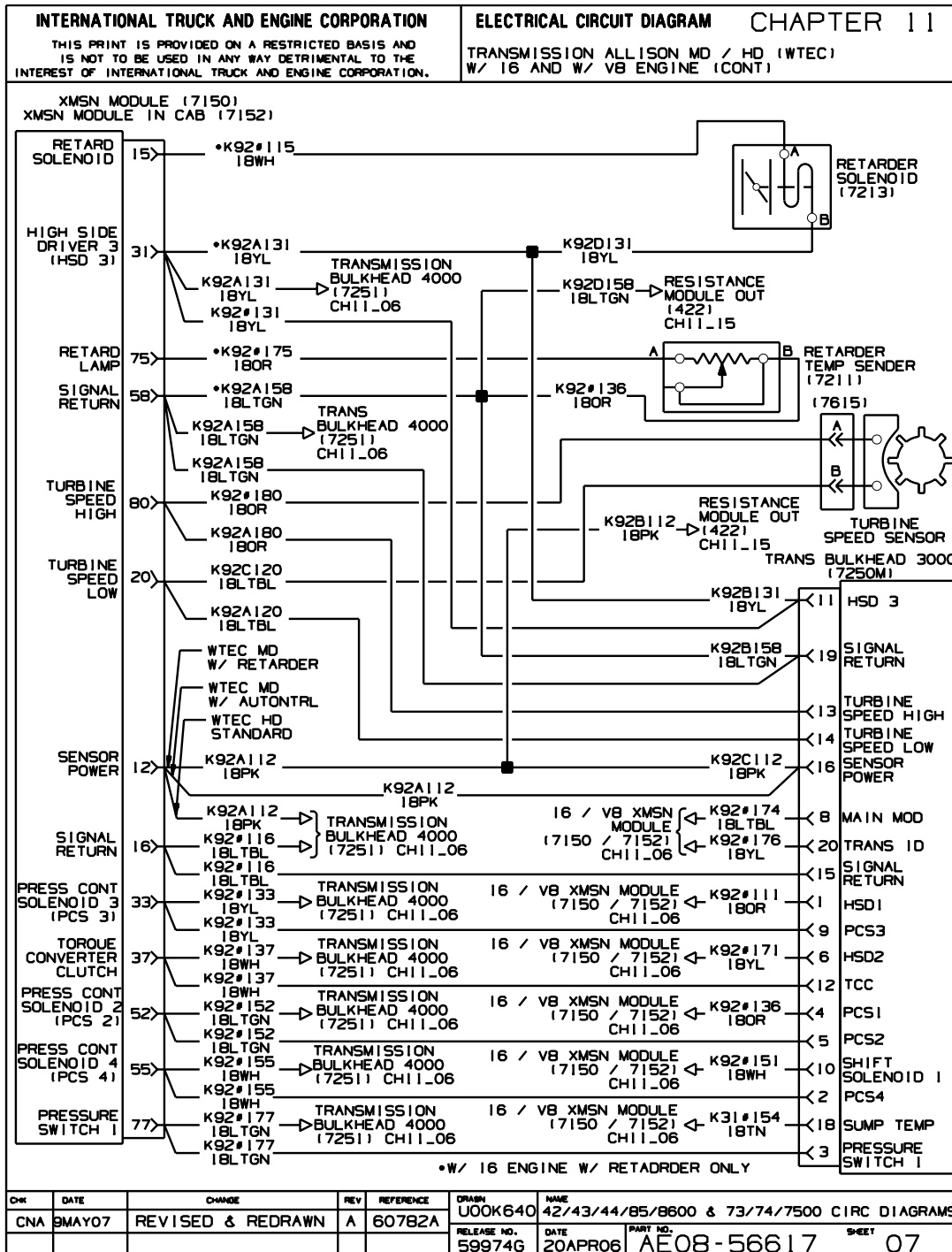


Figure 187 Transmission, Allison MD/HD (WTEC) with I6 and with V8 Engine (Cont.)

11.8. TRANSMISSION, ALLISON MD (WTEC), P. 8

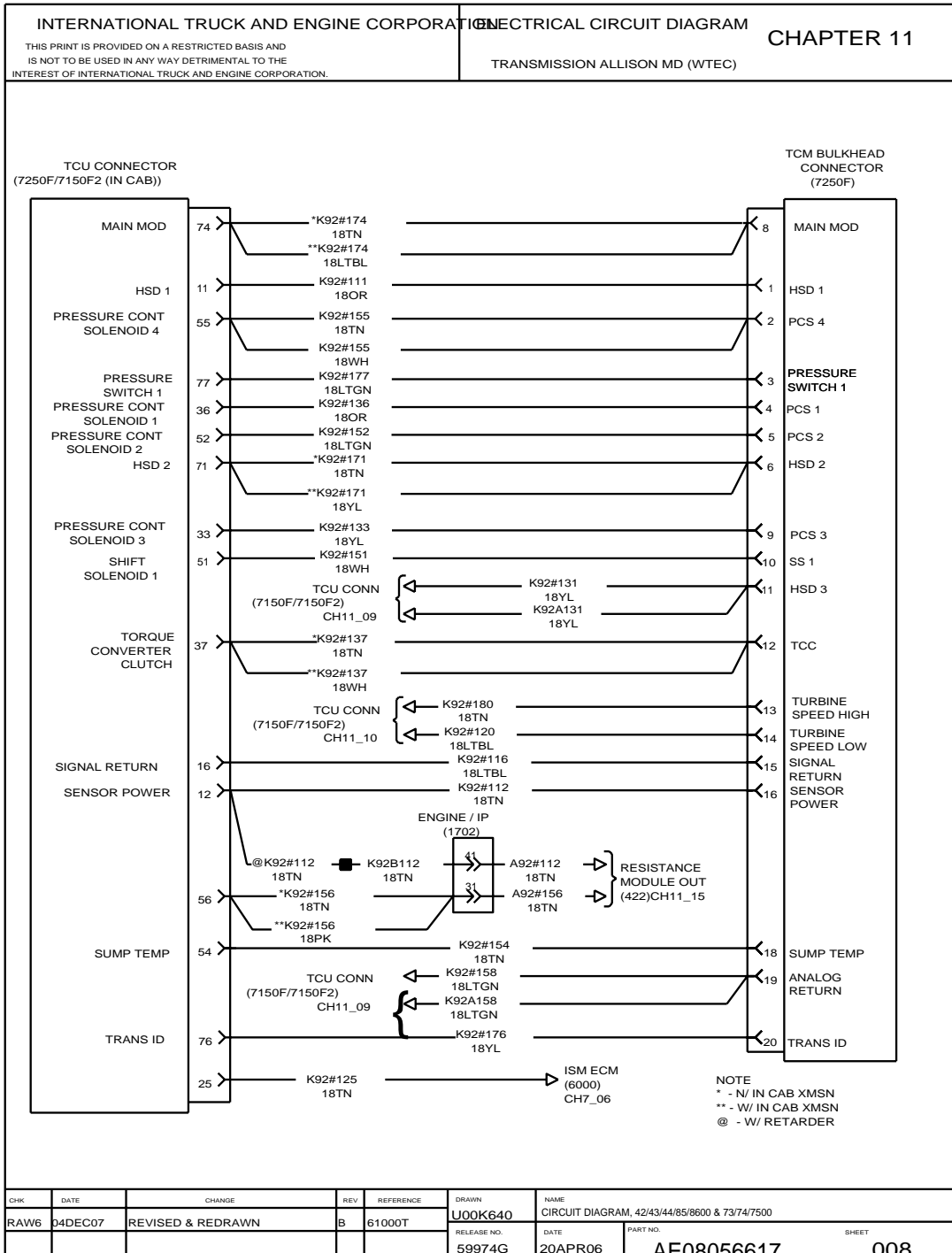


Figure 188 Transmission, Allison MD (WTEC)

11.9. TRANSMISSION, ALLISON MD (WTEC), P. 8A

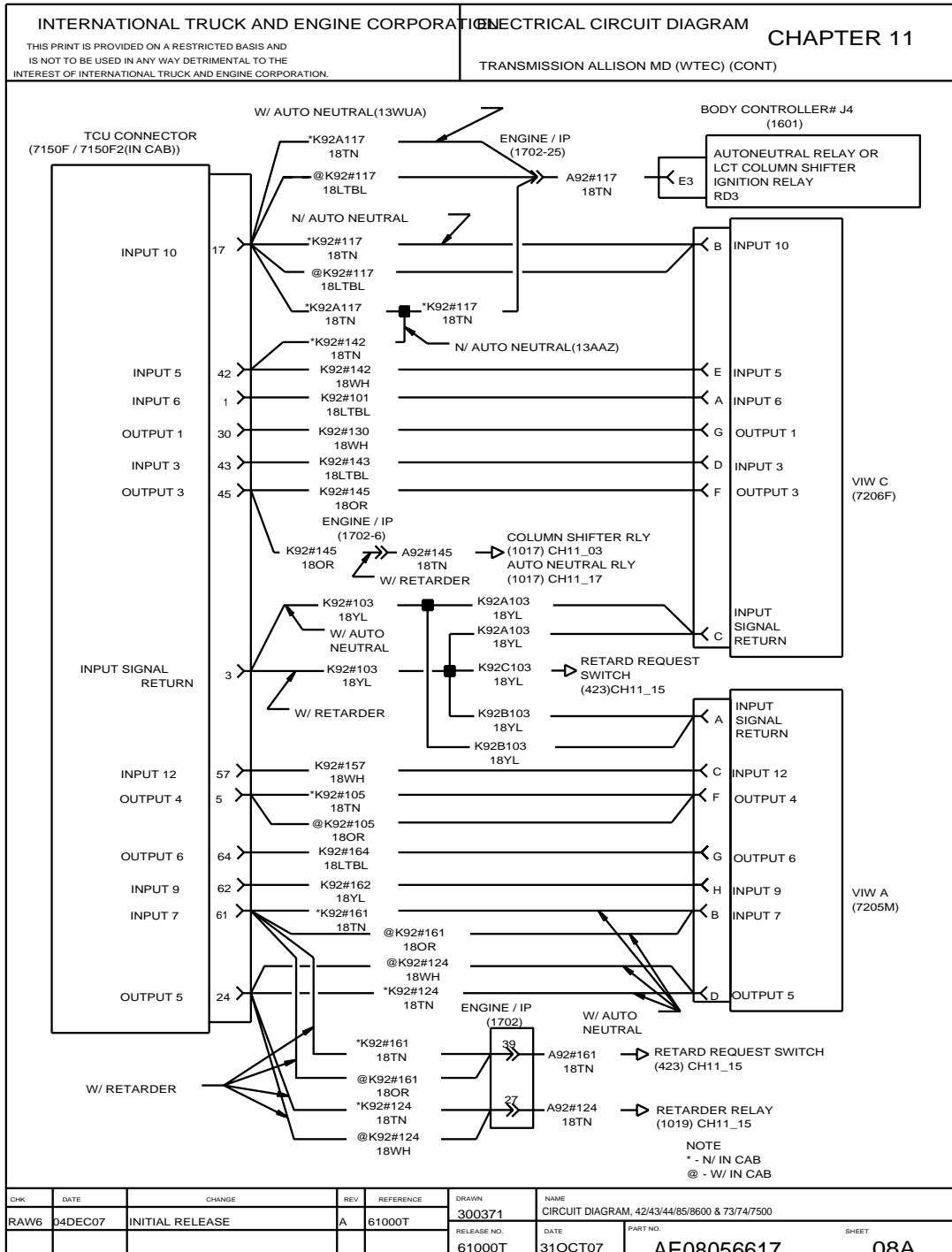


Figure 189 Transmission, Allison MD (WTEC)

11.10. TRANSMISSION, ALLISON MD (WTEC) (ISM ENGINE), P. 9

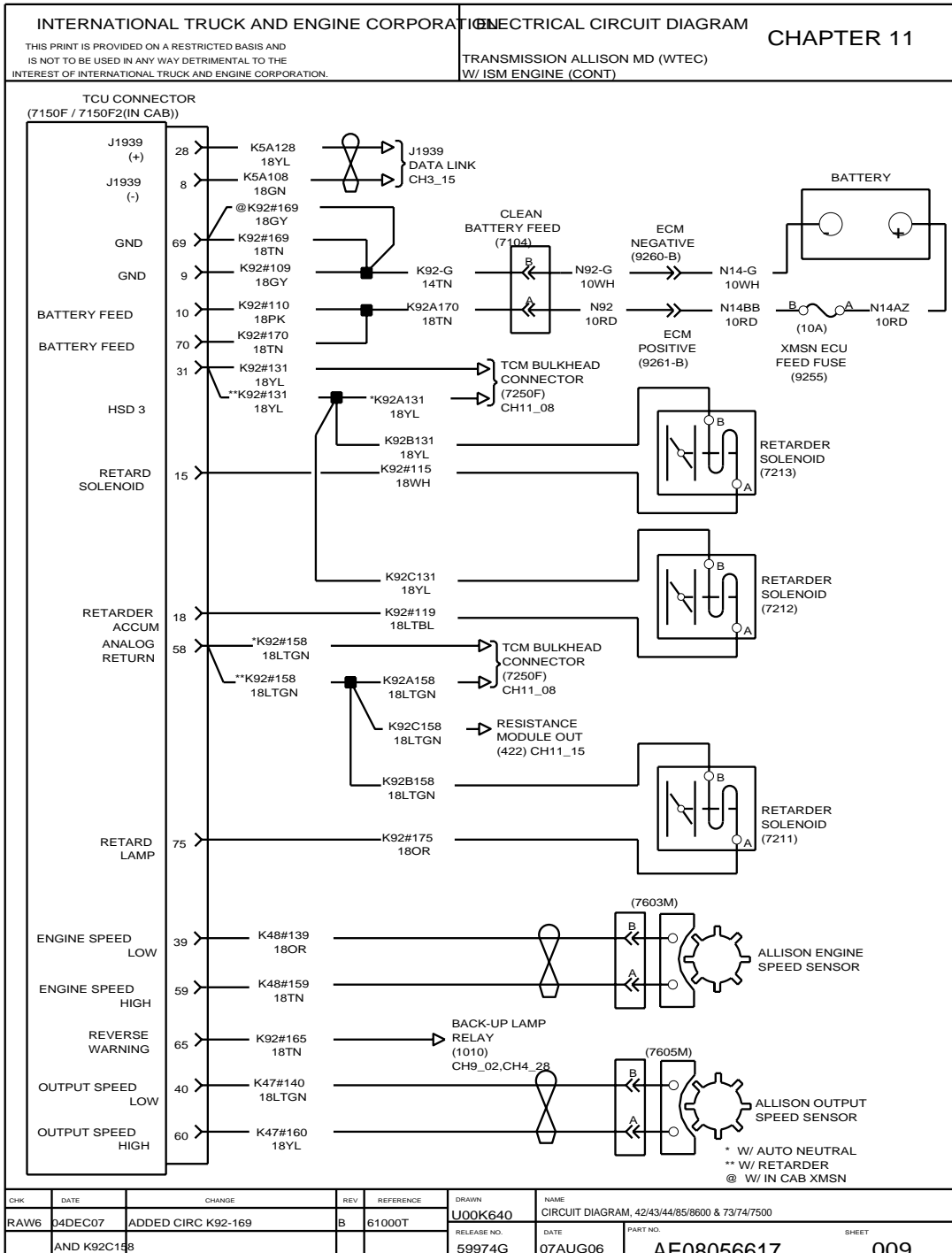


Figure 190 Transmission, Allison MD (WTEC) (ISM Engine)

11.11. TRANSMISSION, ALLISON MD (WTEC) (ISM ENGINE), P. 10

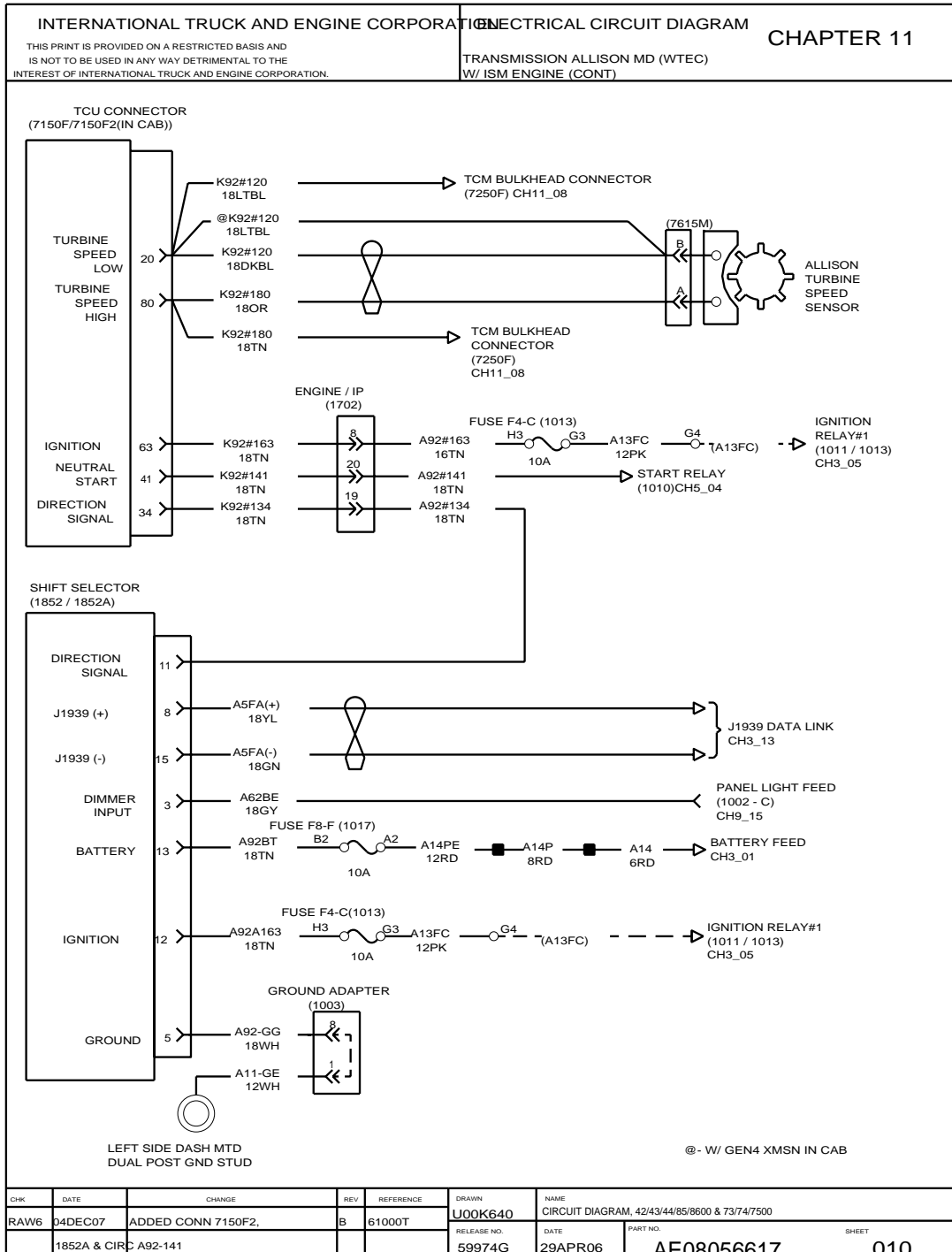


Figure 191 Transmission, Allison MD (WTEC) (ISM Engine) (Cont.)

11.12. EATON AUTOSHIFT TRANSMISSION W/ I6 ENGINE, P. 11

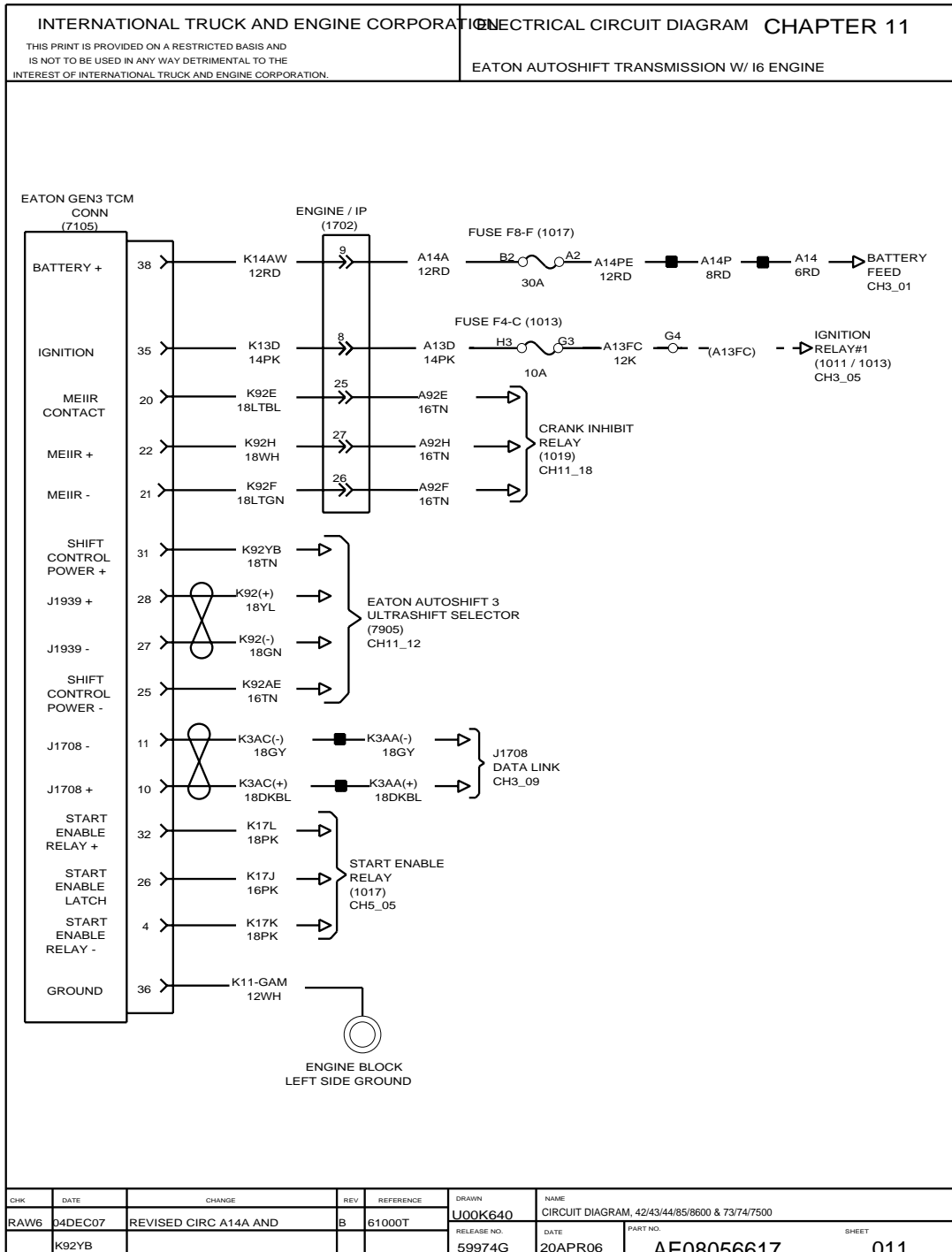


Figure 192 Eaton Autoshift Transmission W/ I6 Engine

11.13. EATON AUTOSHIFT TRANSMISSION, P. 12

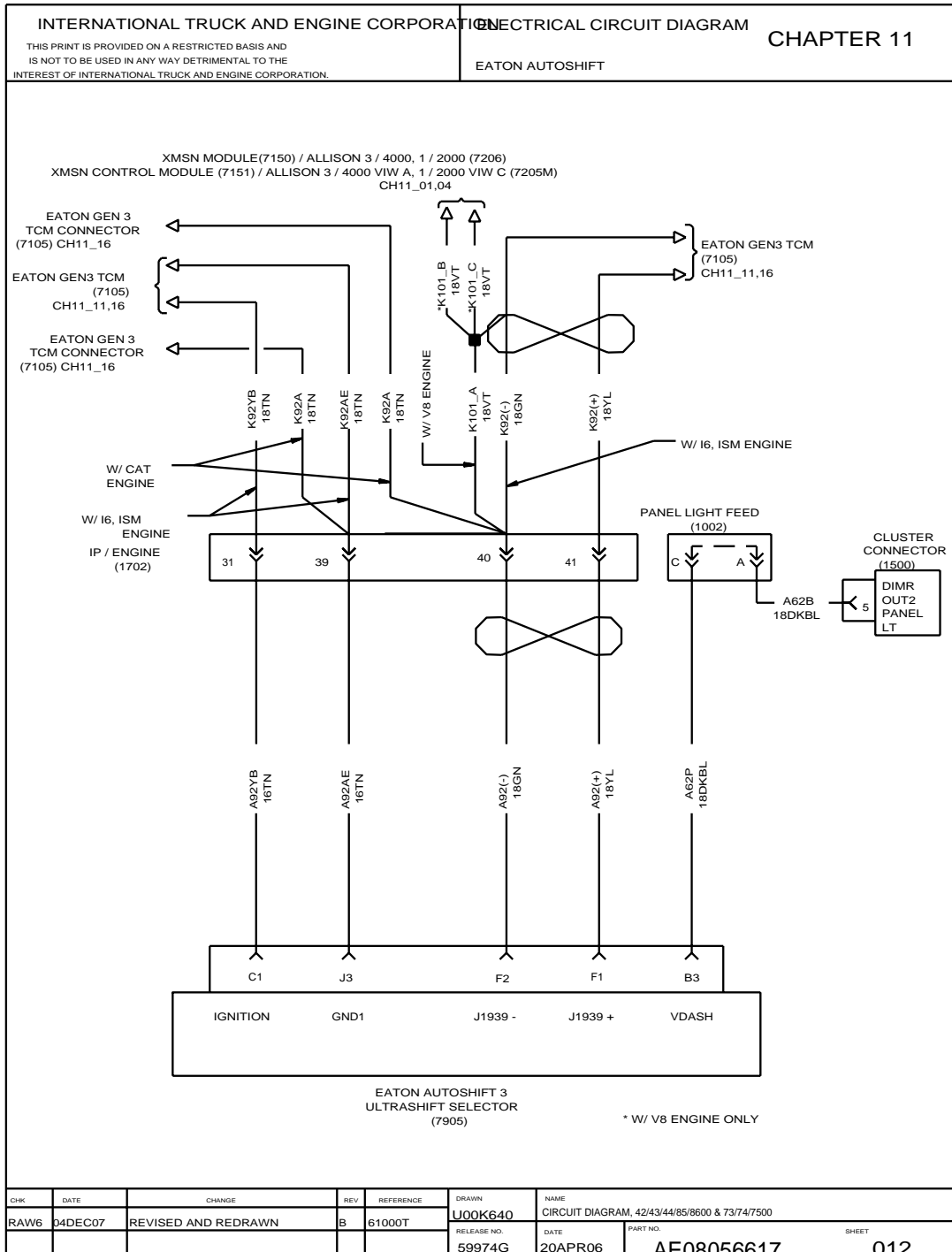


Figure 193 Eaton Autoshift Transmission

11.14. TRANSMISSION ALLISON MD (WTEC) W/ CAT ENGINE, P. 13

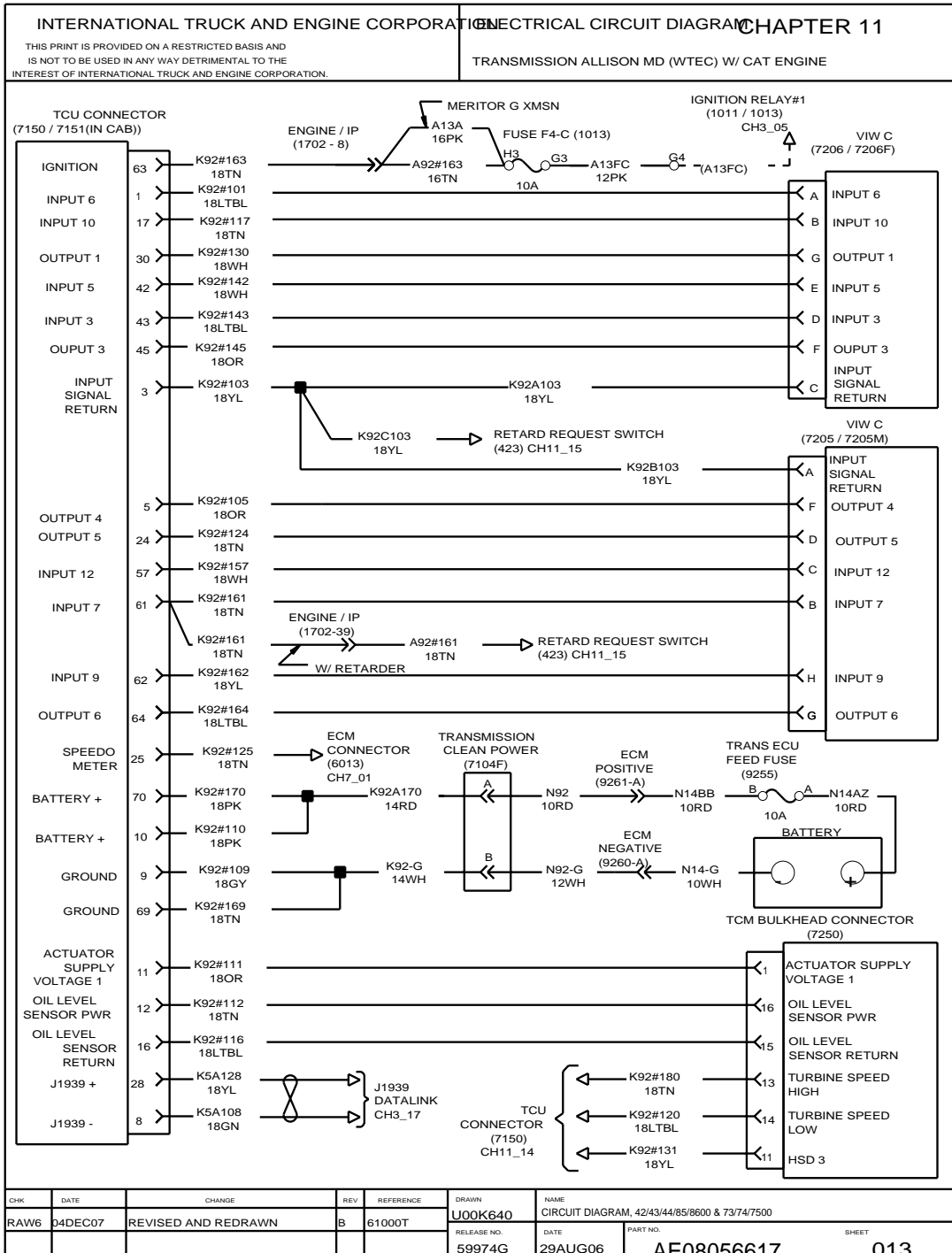


Figure 194 Transmission Allison MD (WTEC) W/ Cat Engine

11.15. TRANSMISSION ALLISON MD (WTEC) W/ CAT ENGINE, P. 14

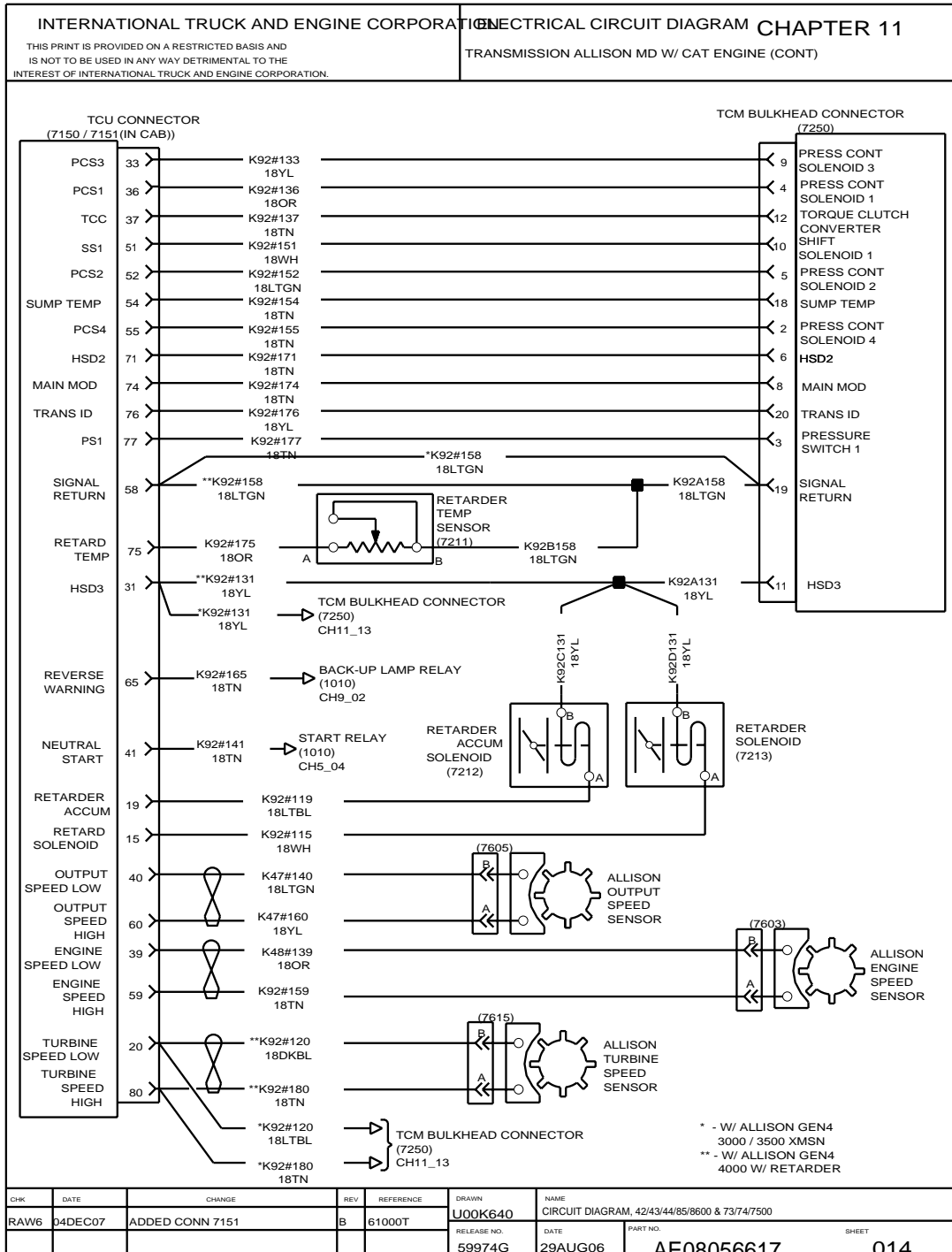


Figure 195 Transmission Allison MD (WTEC) W/ Cat Engine

11.16. TRANSMISSION RETARDER CONTROLS WIRING WITH MD TRANSMISSION HARD WIRED EFFECTS, P. 15

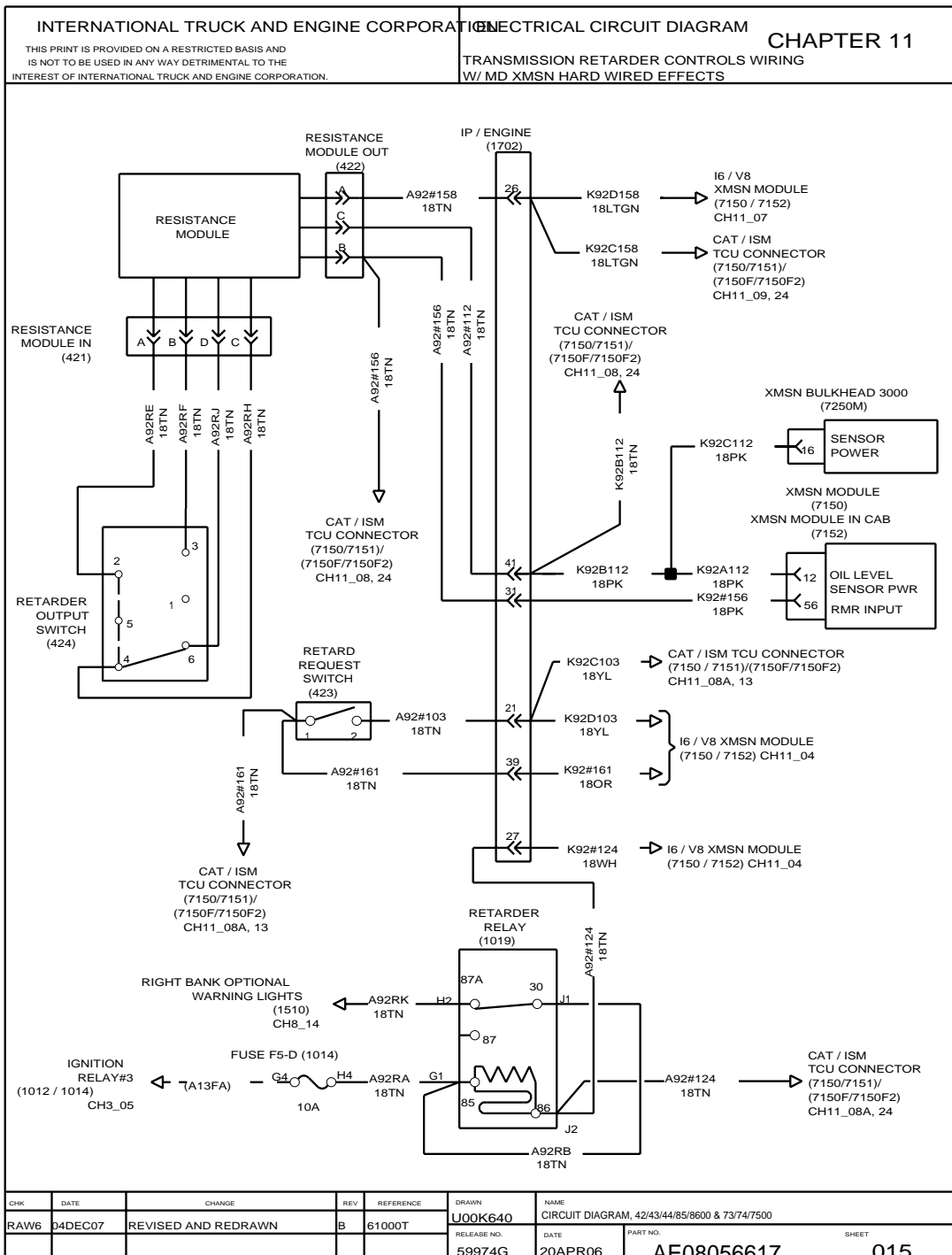


Figure 196 Transmission Retarder Controls Wiring with MD Transmission Hard Wired Effects

11.17. EATON AUTO AND ULTRASHIFT GEN 3 TRANSMISSION W/ CAT AND W/ ISM ENGINE, P. 16

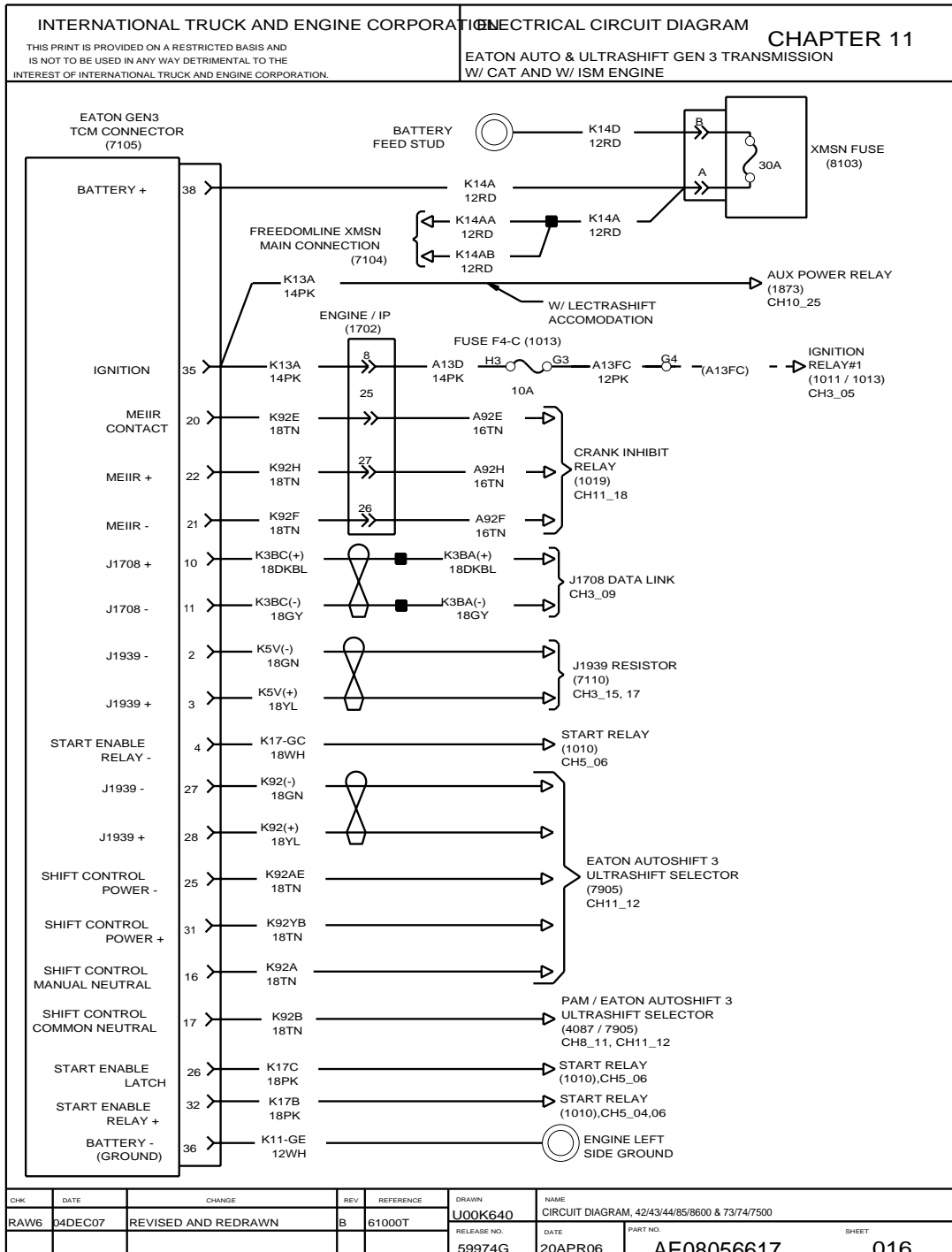


Figure 197 Eaton Auto and Ultrashift Gen 3 Transmission W/ Cat and W/ ISM Engine

11.18. ALLISON TRANSMISSION 3/4000 GEN 4 WITH AUTO NEUTRAL, P. 17

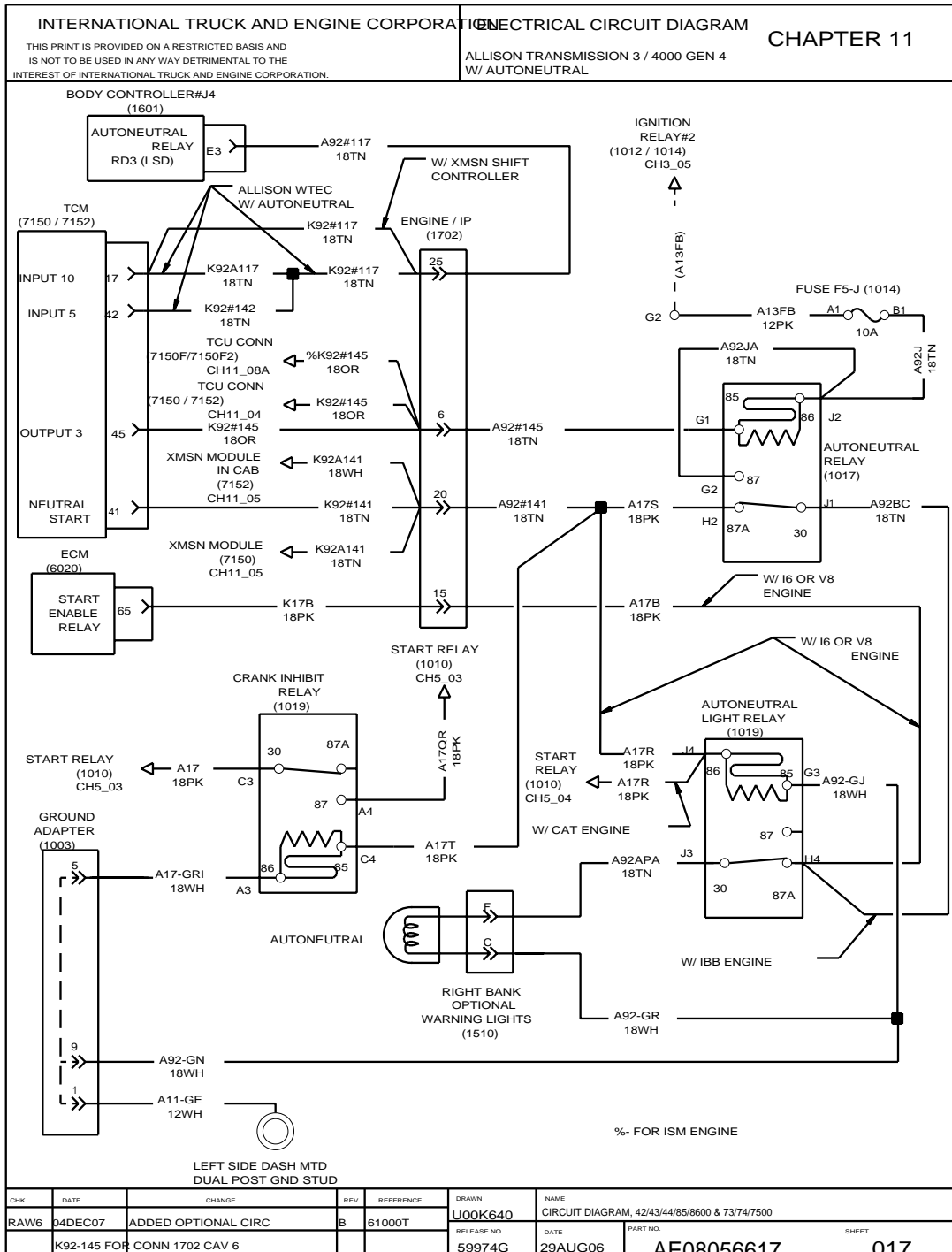


Figure 198 Allison Transmission 3/4000 Gen 4 With Auto Neutral

11.19. EATON ULTRASHIFT GEN 3 / MERITOR — G — MANUAL TRANSMISSION, P. 18

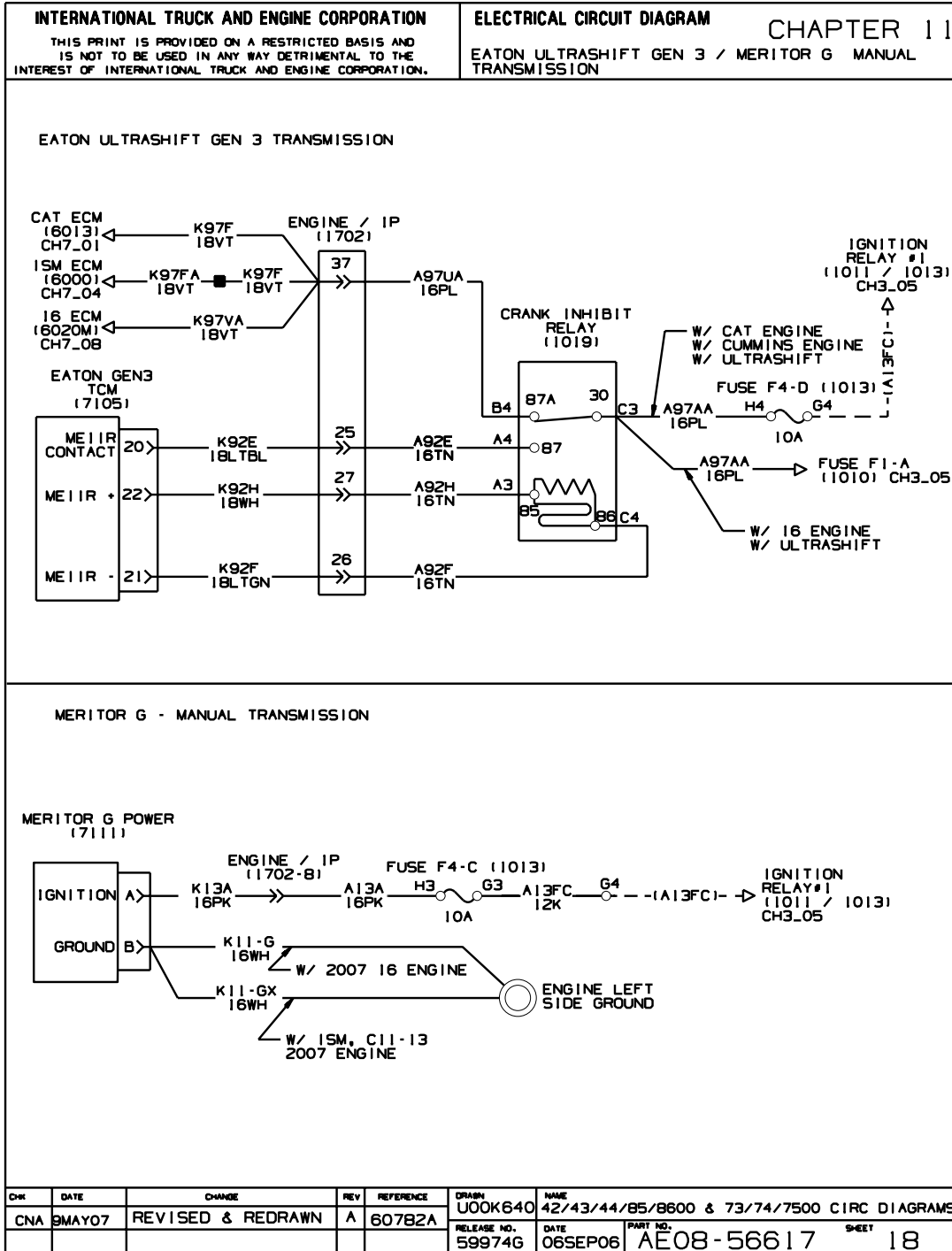


Figure 199 Eaton Ultrashift Gen 3 / Meritor — G — Manual Transmission

11.20. EATON HYBRID TRANSMISSION, P. 19

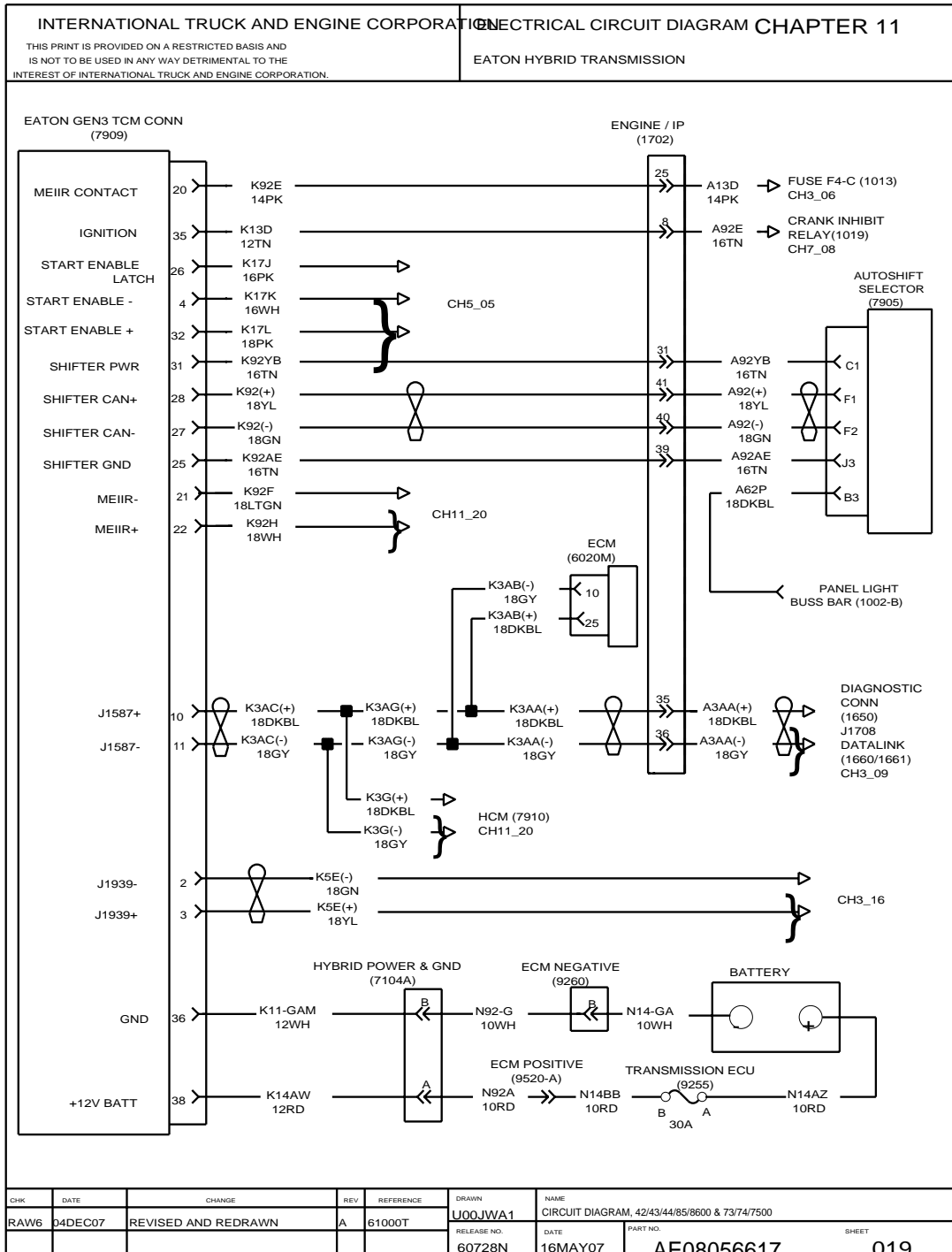


Figure 200 Eaton Hybrid Transmission

11.21. EATON HYBRID TRANSMISSION, P. 20

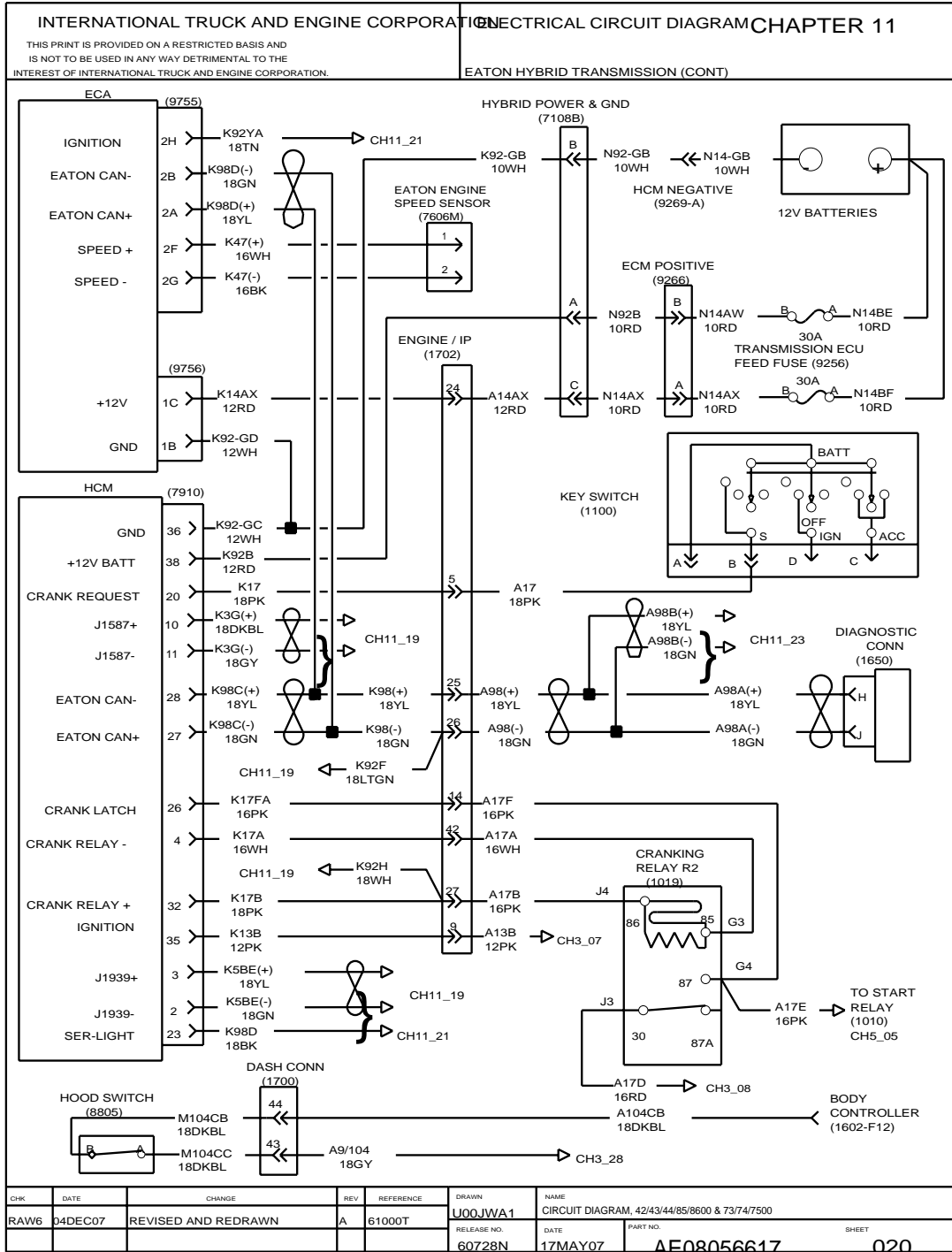


Figure 201 Eaton Hybrid Transmission

11.22. EATON HYBRID TRANSMISSION, P. 21

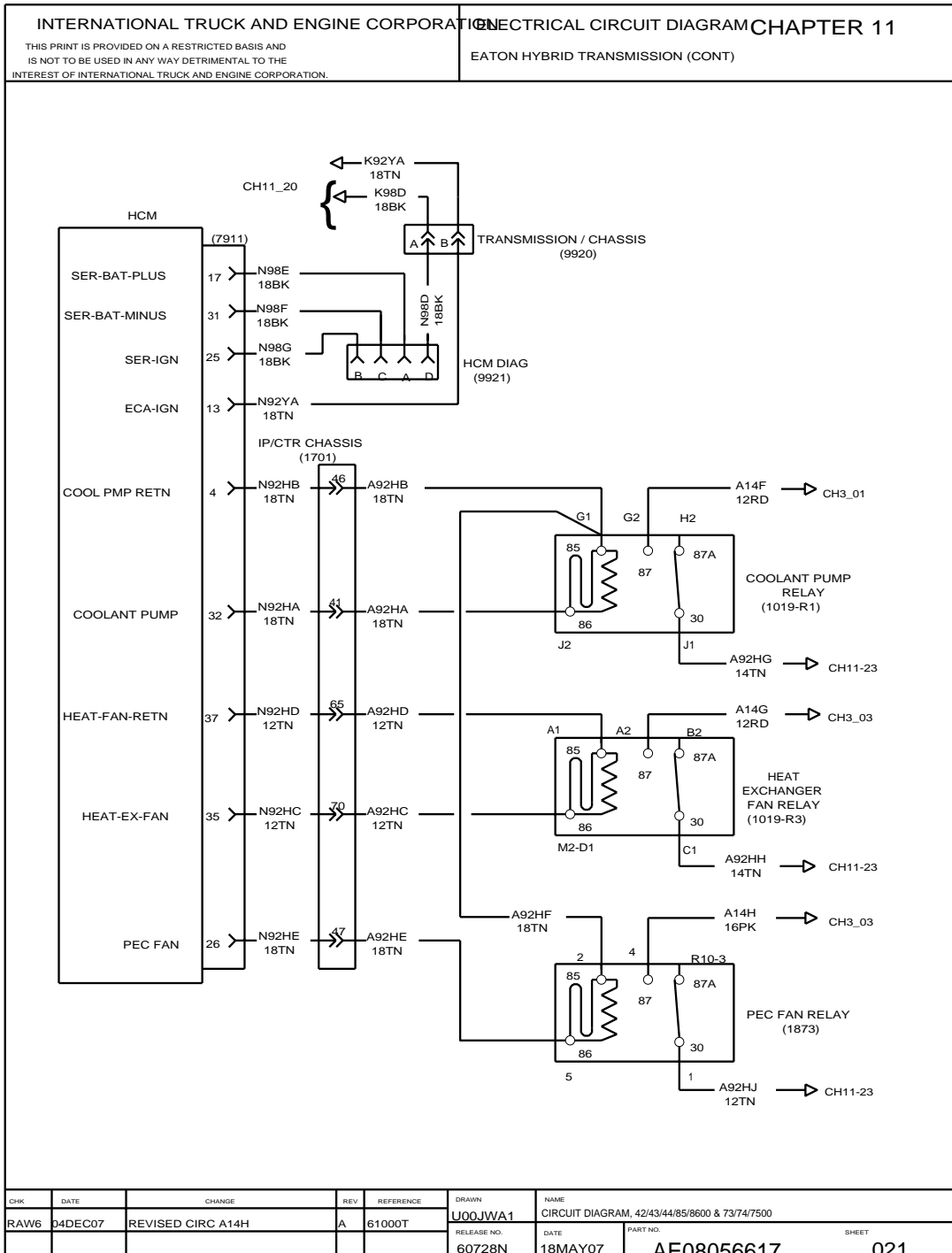


Figure 202 Eaton Hybrid Transmission

11.23. EATON HYBRID TRANSMISSION, P. 22

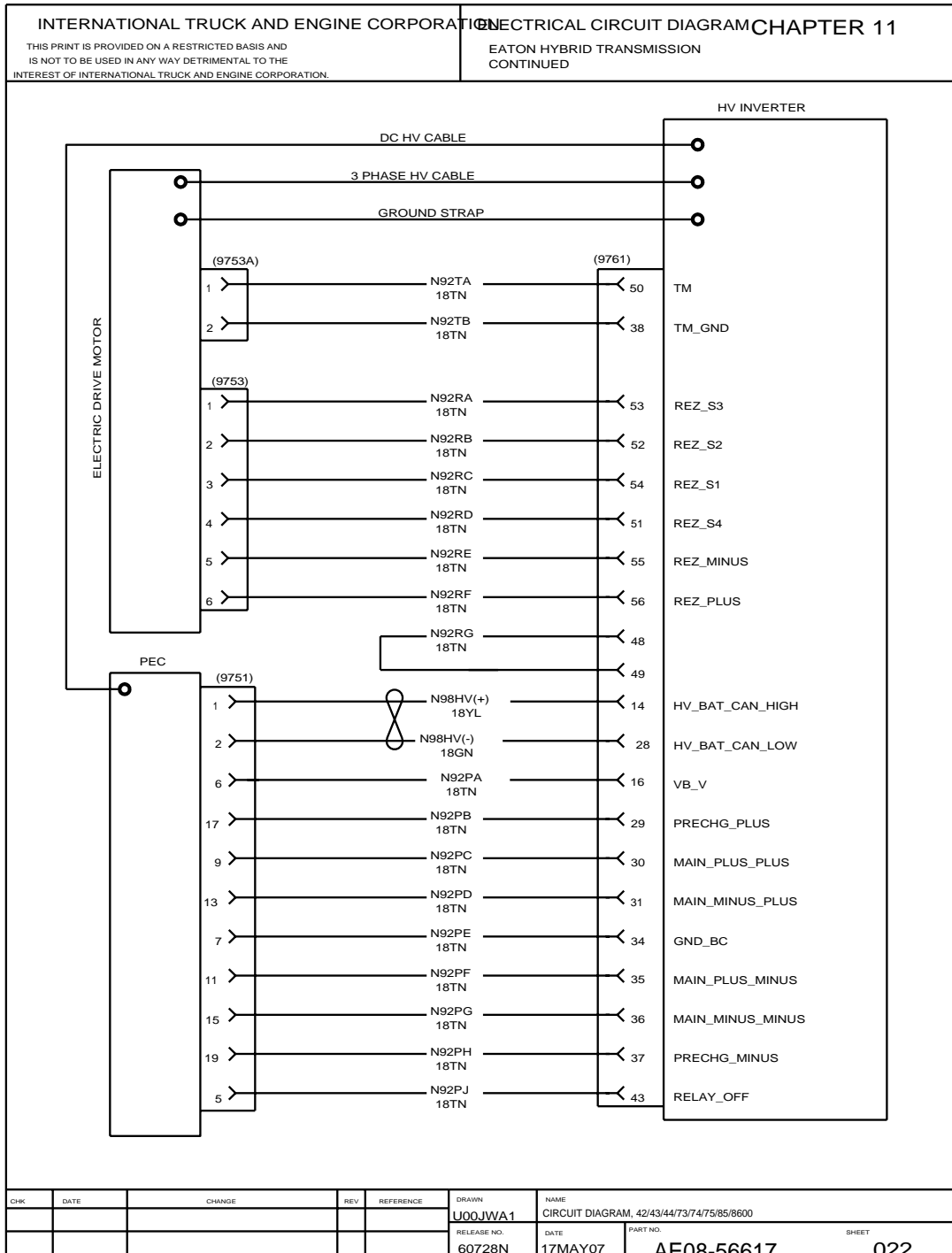


Figure 203 Eaton Hybrid Transmission

11.24. EATON HYBRID TRANSMISSION, P. 23

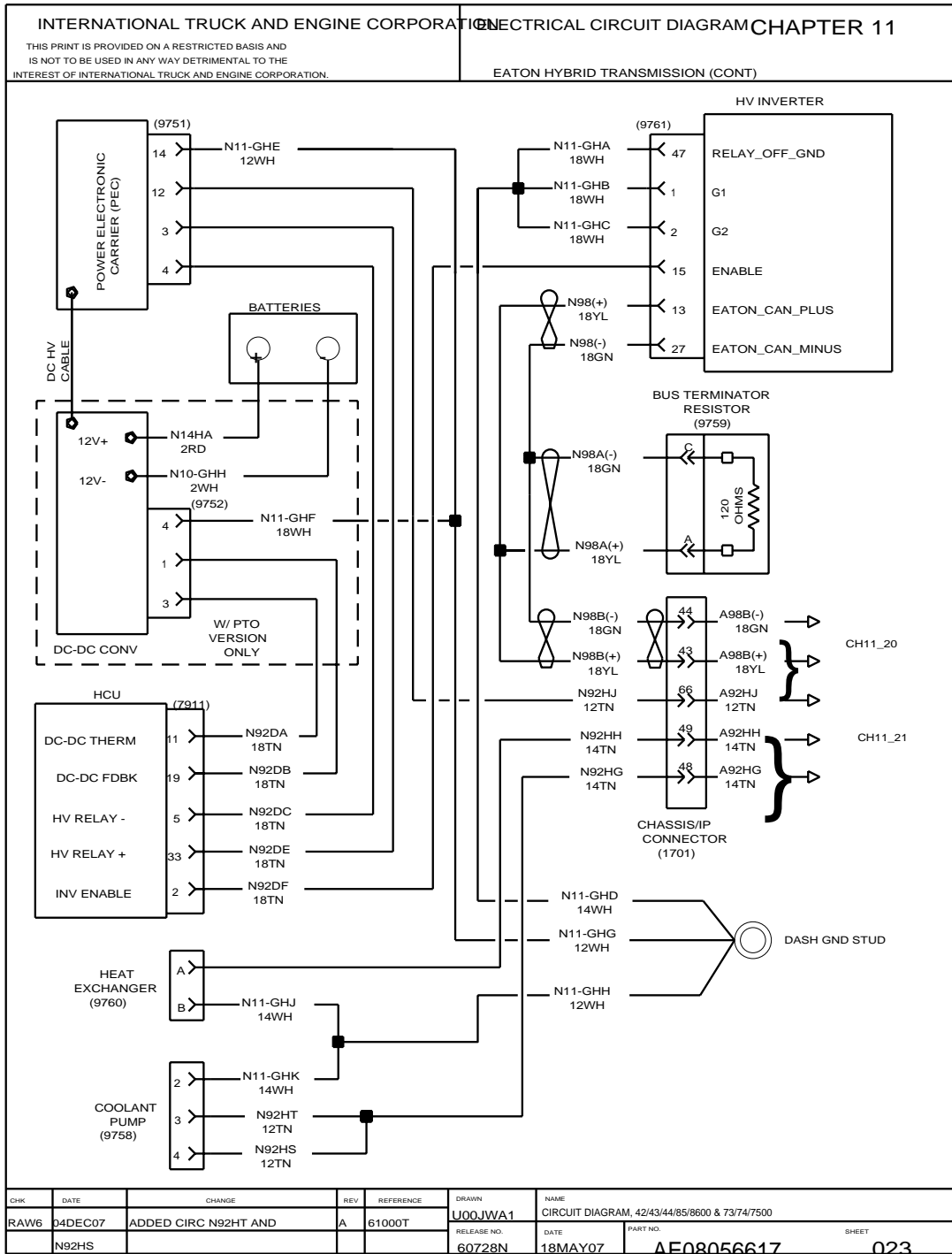


Figure 204 Eaton Hybrid Transmission

11.25. TRANSMISSION ALLISON MD (WTEC) WITH CAT ENGINE, P. 24

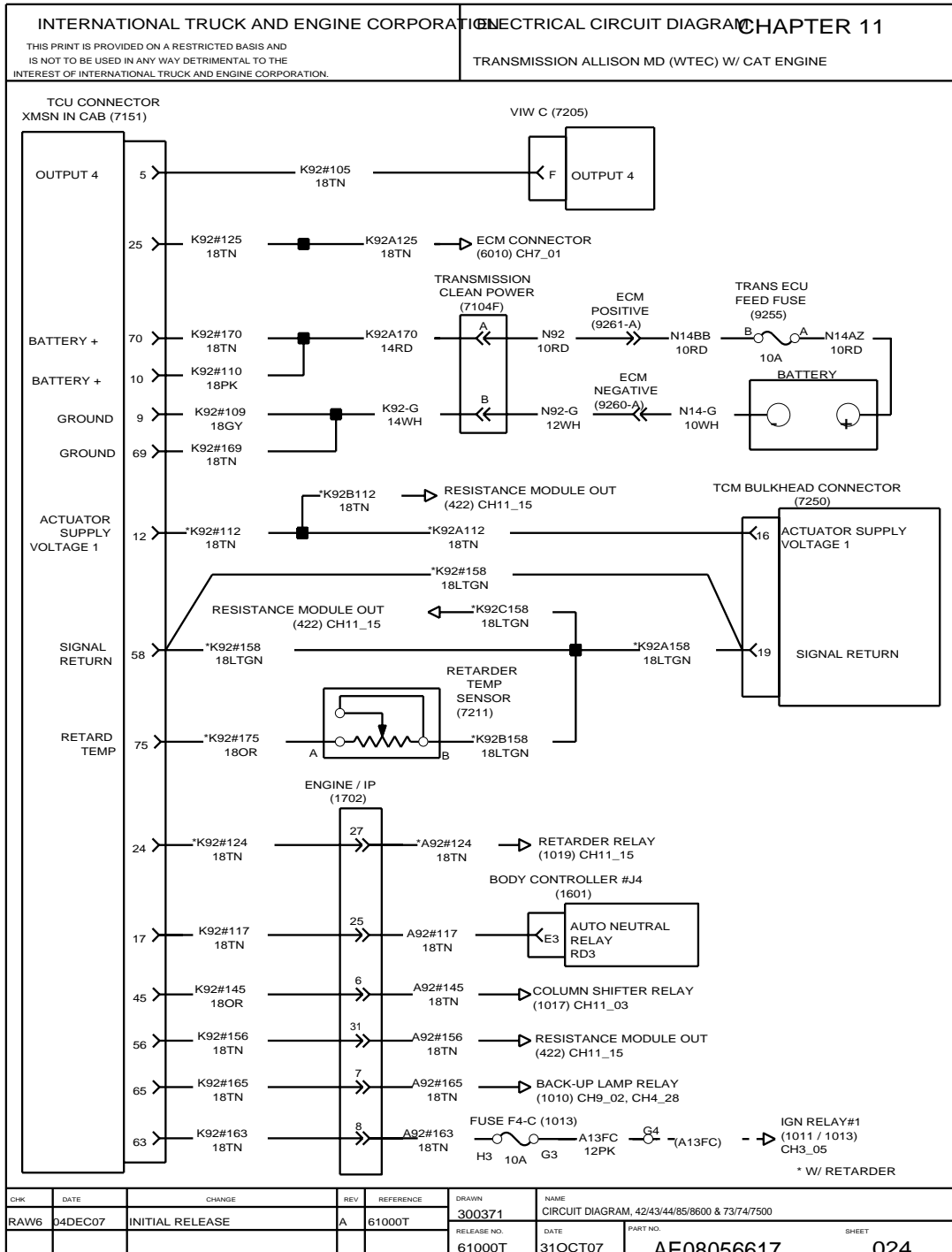


Figure 205 Transmission Allison MD (WTEC) with Cat Engine

11.26. FREEDOMLINE TRANSMISSION WITH CAT AND ISM ENGINE, P. 25

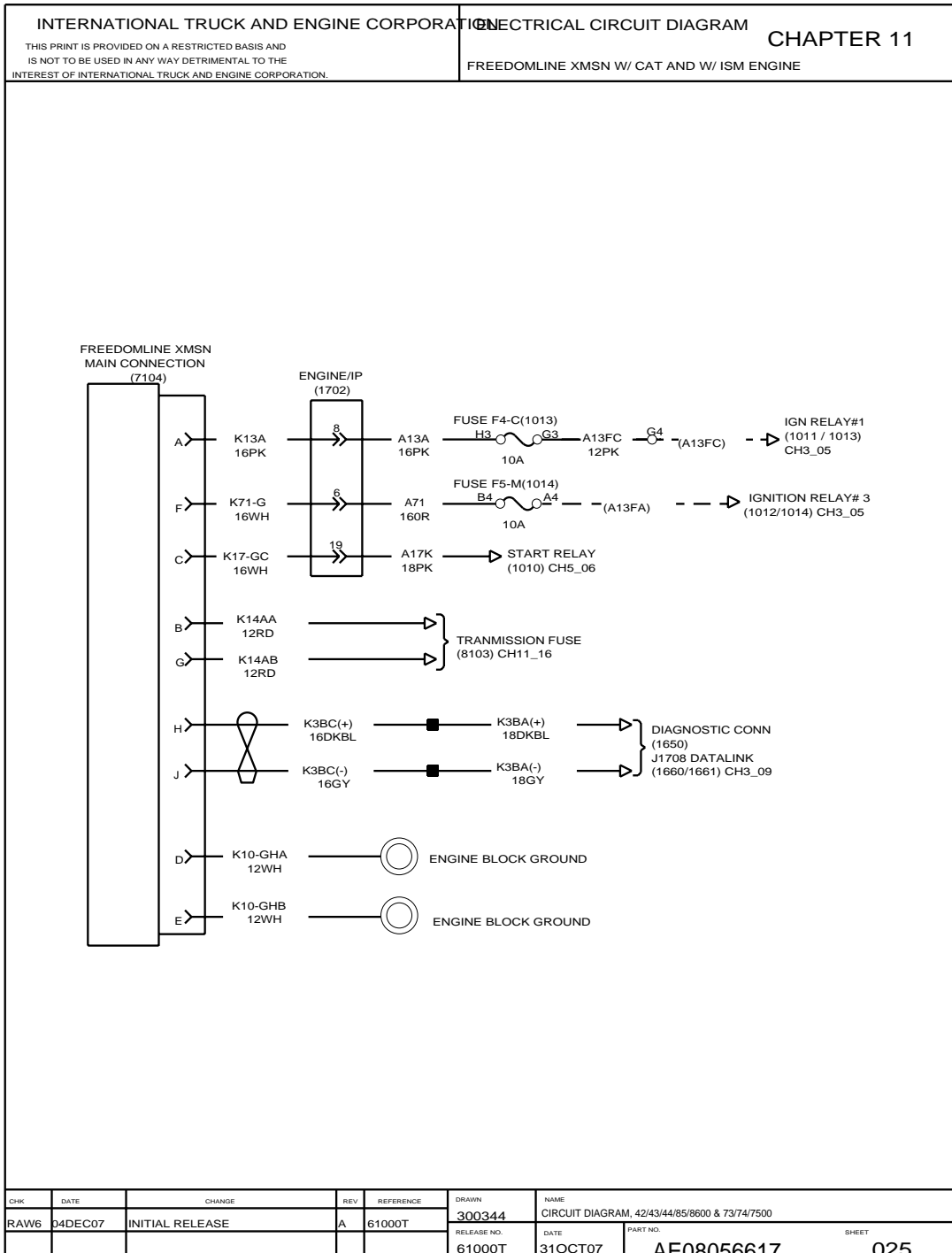


Figure 206 Freedomline Transmission with Cat and ISM Engine

12. AIR CONDITIONING (CHAPTER 12)

12.1. AIR CONDITIONING, P. 1

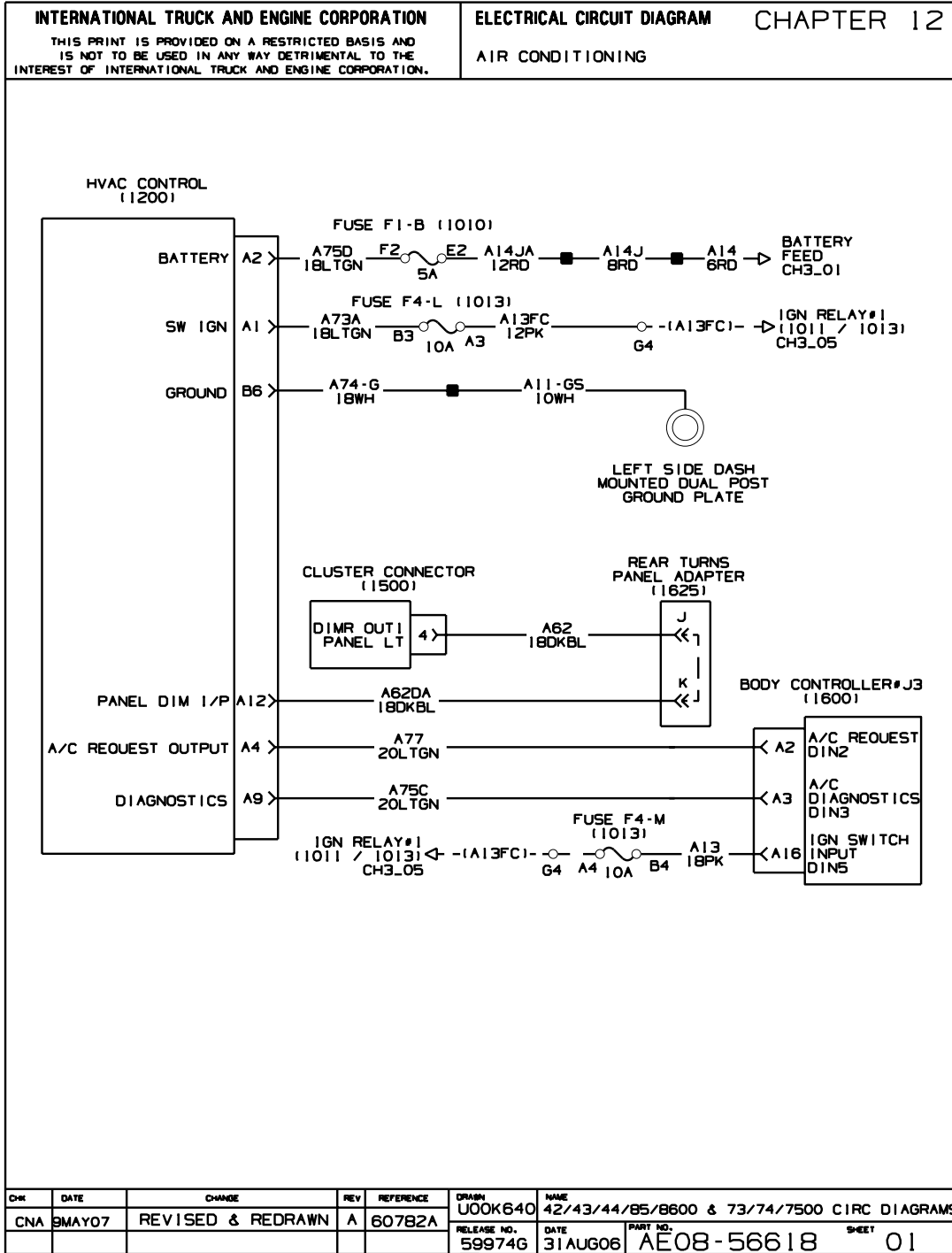


Figure 207 Air Conditioning

12.2. AIR CONDITIONING, P. 2

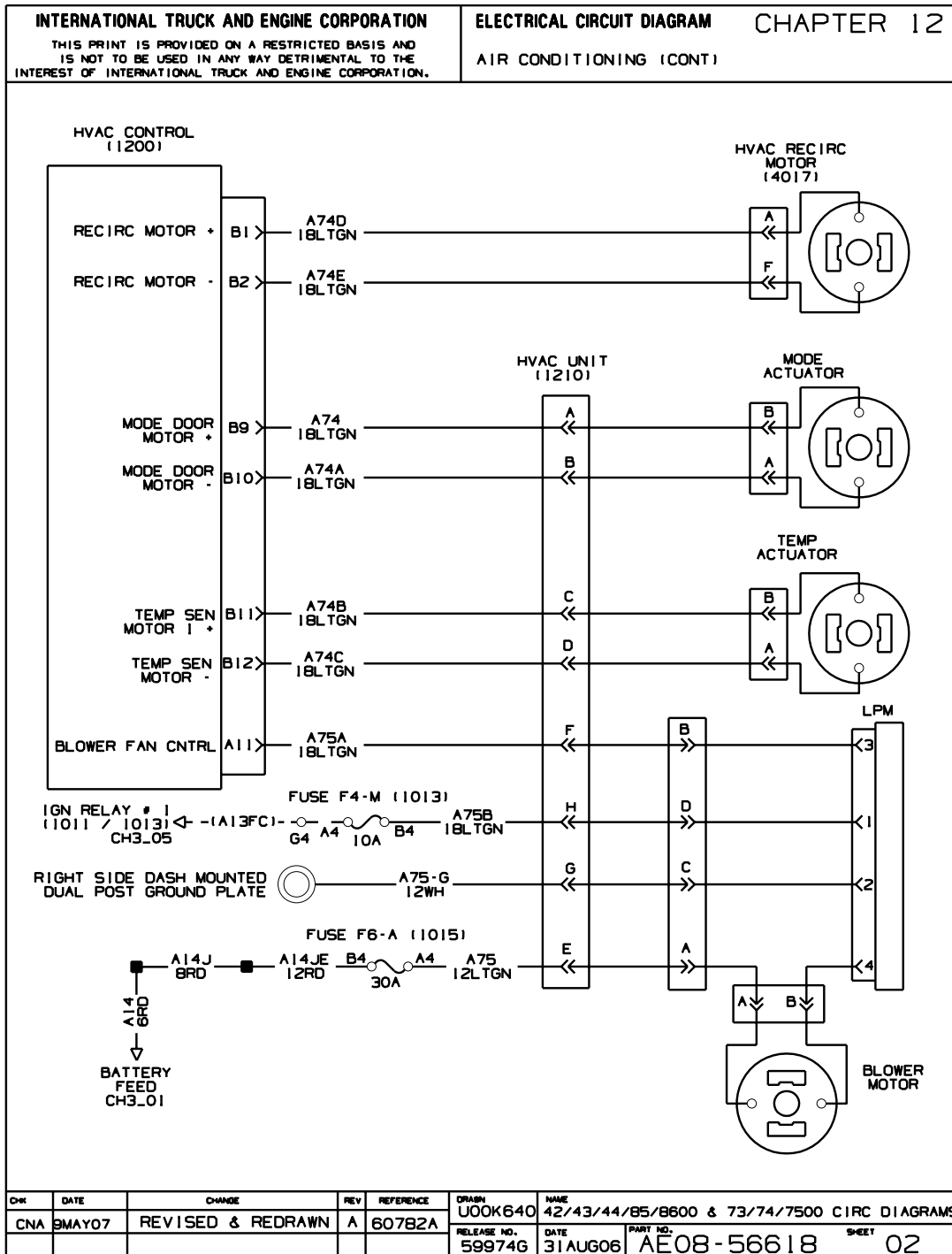


Figure 208 Air Conditioning (Cont.)

12.3. HVAC SYSTEM, P. 3

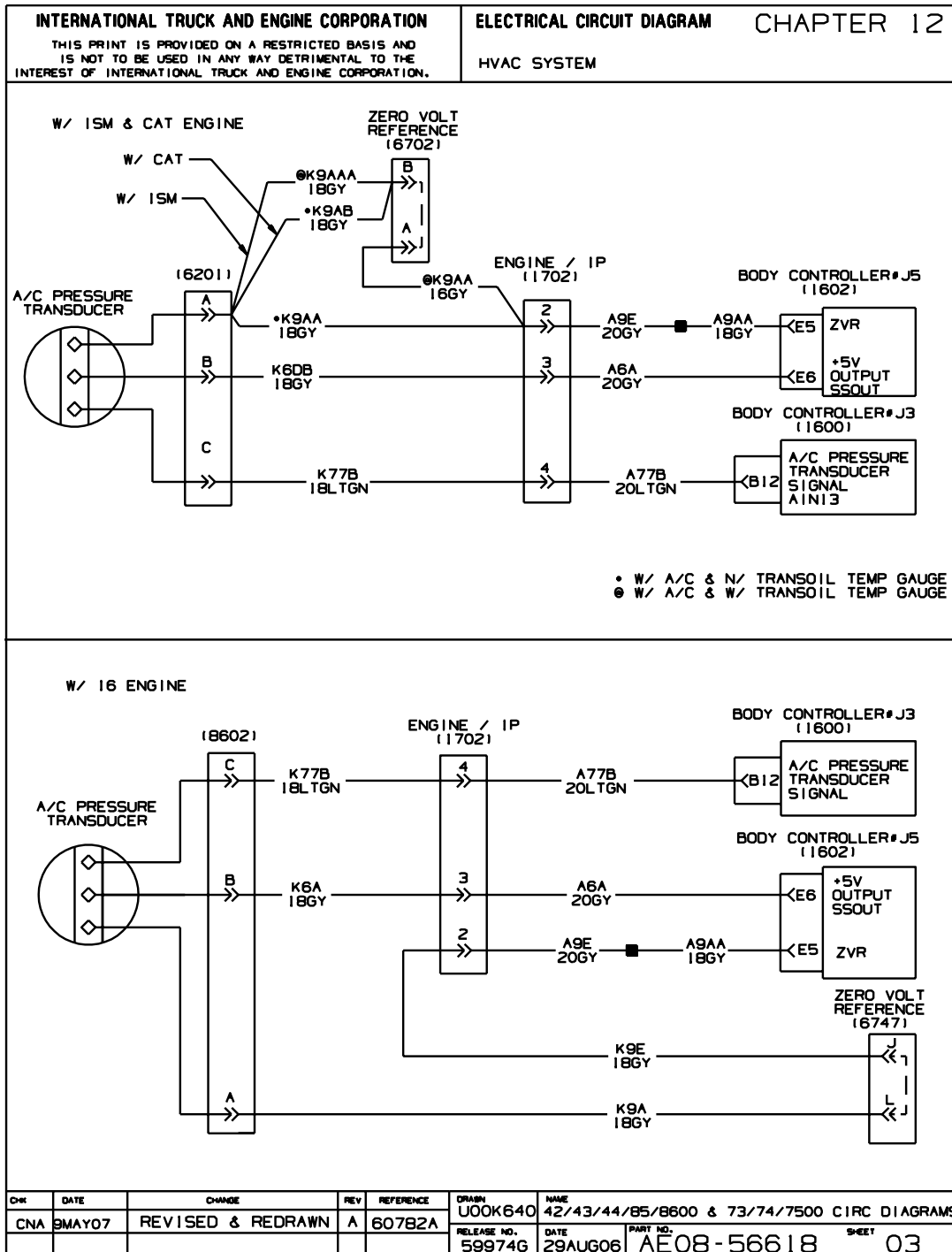


Figure 209 HVAC System

12.4. HVAC SYSTEM, P. 4

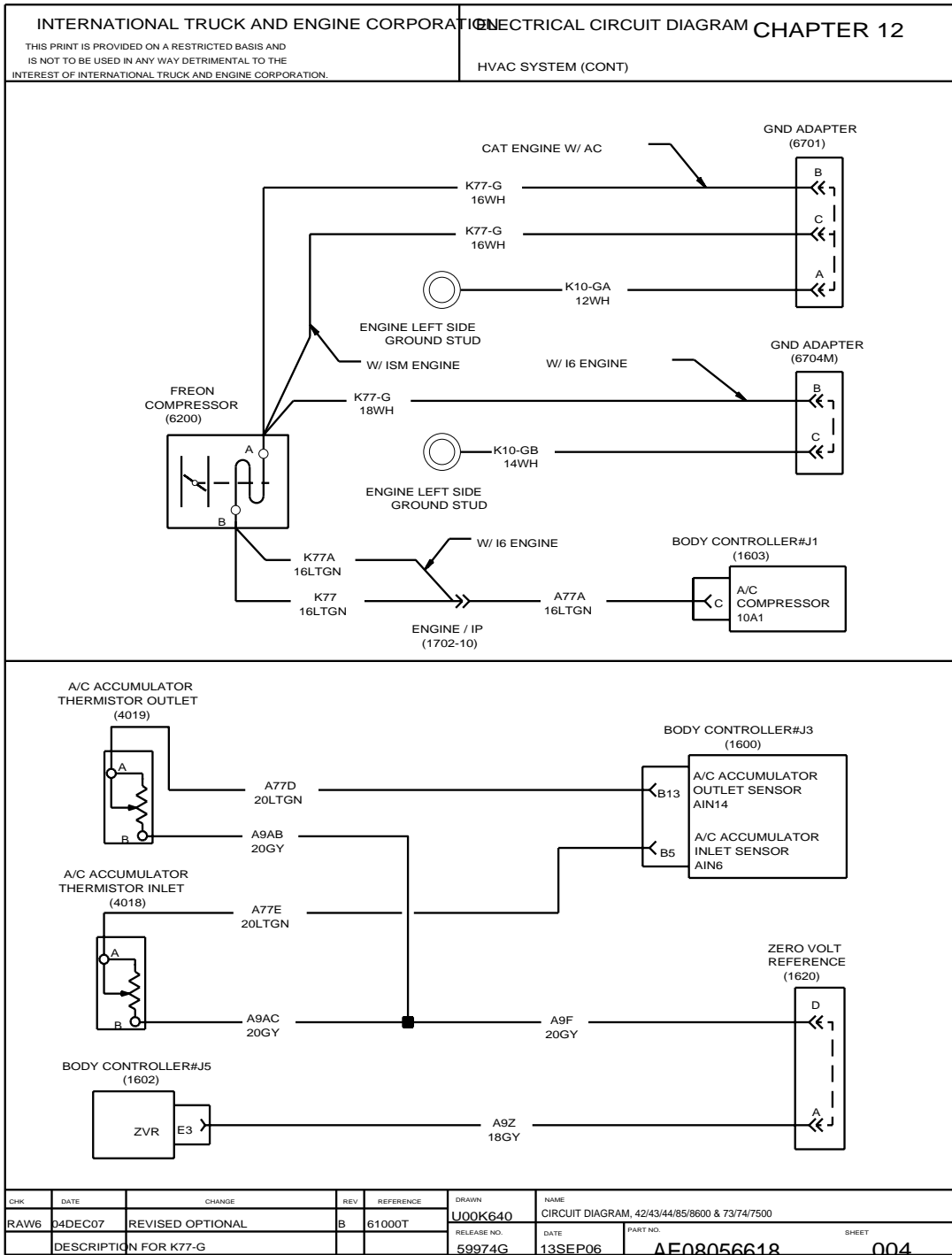


Figure 210 HVAC System (Cont.)

12.5. HVAC SYSTEM, P. 5

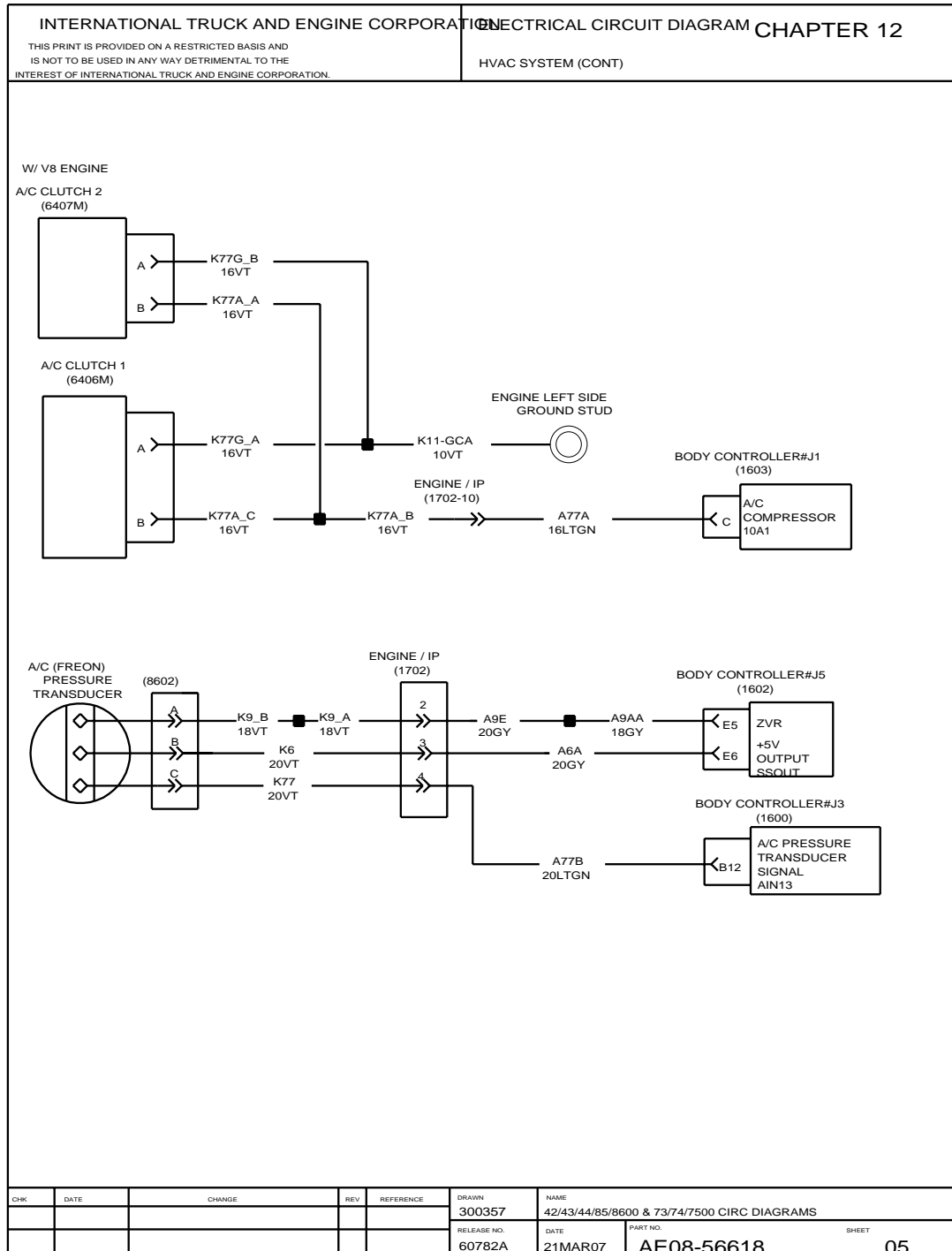


Figure 211 HVAC System (Cont.)

12.6. AUTOTHERM SYSTEM, P. 6

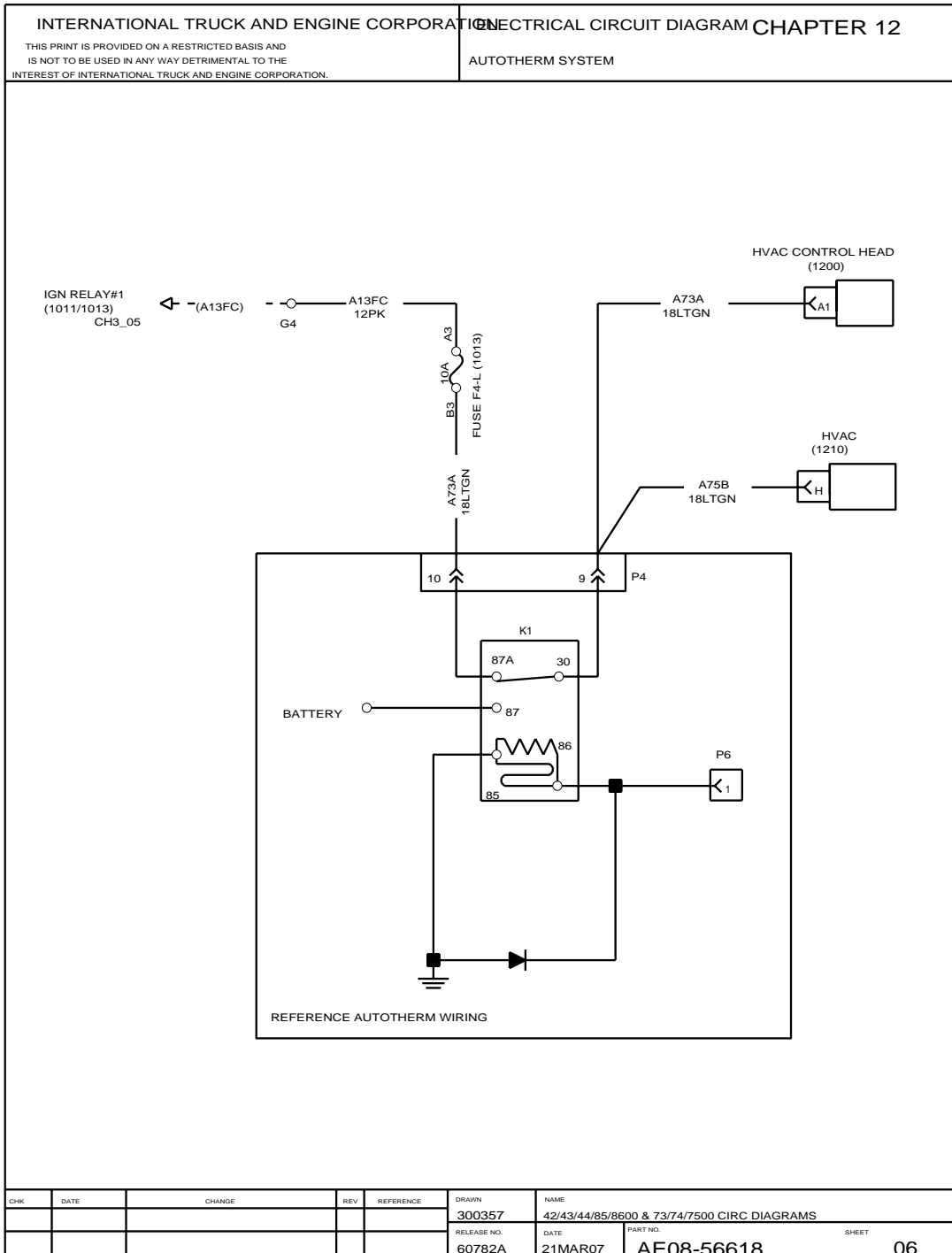
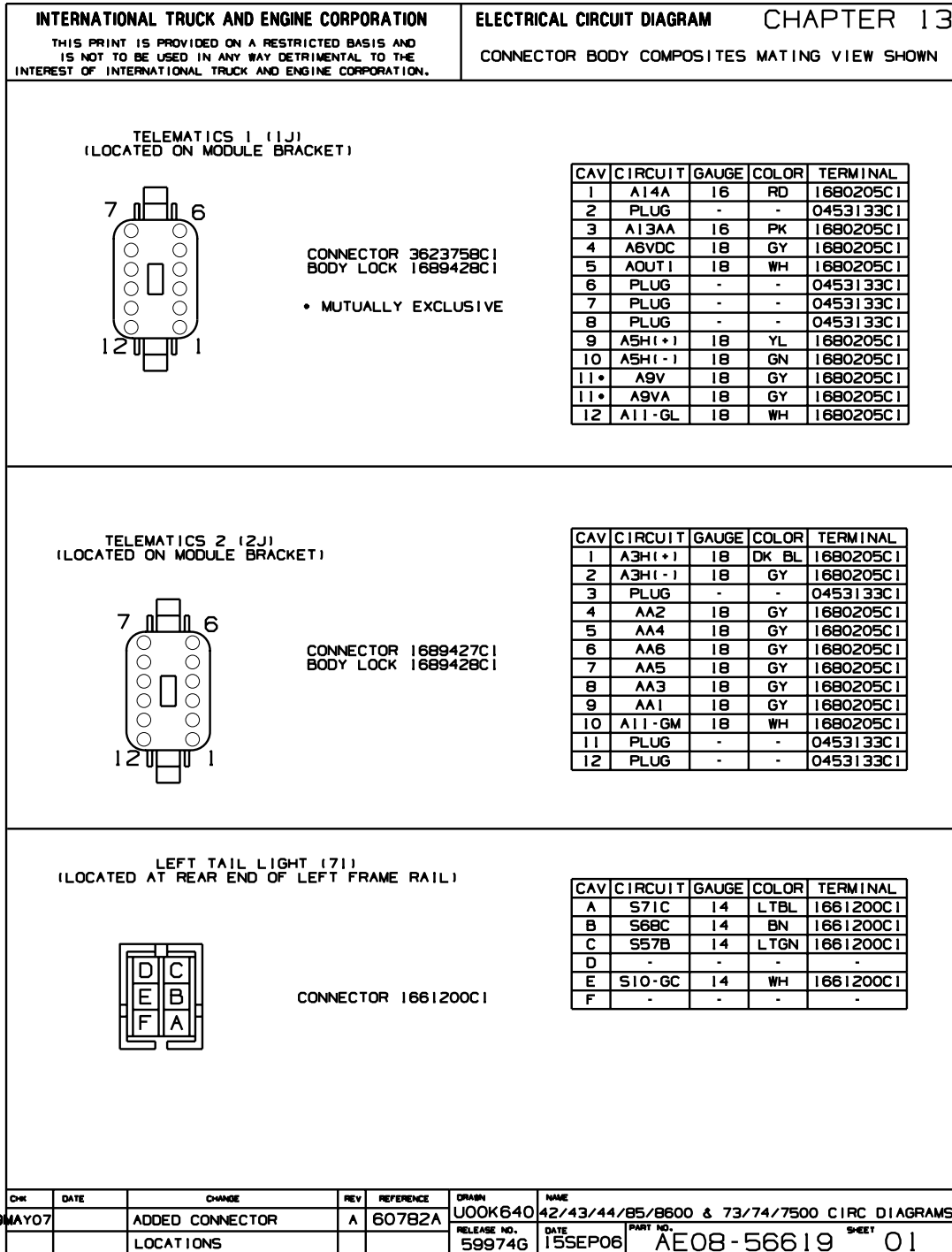


Figure 212 Autotherm System

13. CONNECTOR COMPOSITES (CHAPTER 13)

13.1. CONNECTOR COMPOSITES (1J), (2J), (71), P. 1



TELEMATICS 2 (2J)
(LOCATED ON MODULE BRACKET)



CONNECTOR 1689427C1
 BODY LOCK 1689428C1

CAV	CIRCUIT	GAUGE	COLOR	TERMINAL
1	A3H(+)	18	DK BL	1680205C1
2	A3H(-)	18	GY	1680205C1
3	PLUG	-	-	0453133C1
4	AA2	18	GY	1680205C1
5	AA4	18	GY	1680205C1
6	AA6	18	GY	1680205C1
7	AA5	18	GY	1680205C1
8	AA3	18	GY	1680205C1
9	AA1	18	GY	1680205C1
10	A11-GM	18	WH	1680205C1
11	PLUG	-	-	0453133C1
12	PLUG	-	-	0453133C1

LEFT TAIL LIGHT (71)
(LOCATED AT REAR END OF LEFT FRAME RAIL)



CONNECTOR 1661200C1

CAV	CIRCUIT	GAUGE	COLOR	TERMINAL
A	S71C	14	LTBL	1661200C1
B	S68C	14	BN	1661200C1
C	S57B	14	LTGN	1661200C1
D	-	-	-	-
E	S10-GC	14	WH	1661200C1
F	-	-	-	-

Figure 213 Connector Composites (1J), (2J), (71)

13.2. CONNECTOR COMPOSITES (72), (254F), (254M), (345), (400), P. 2

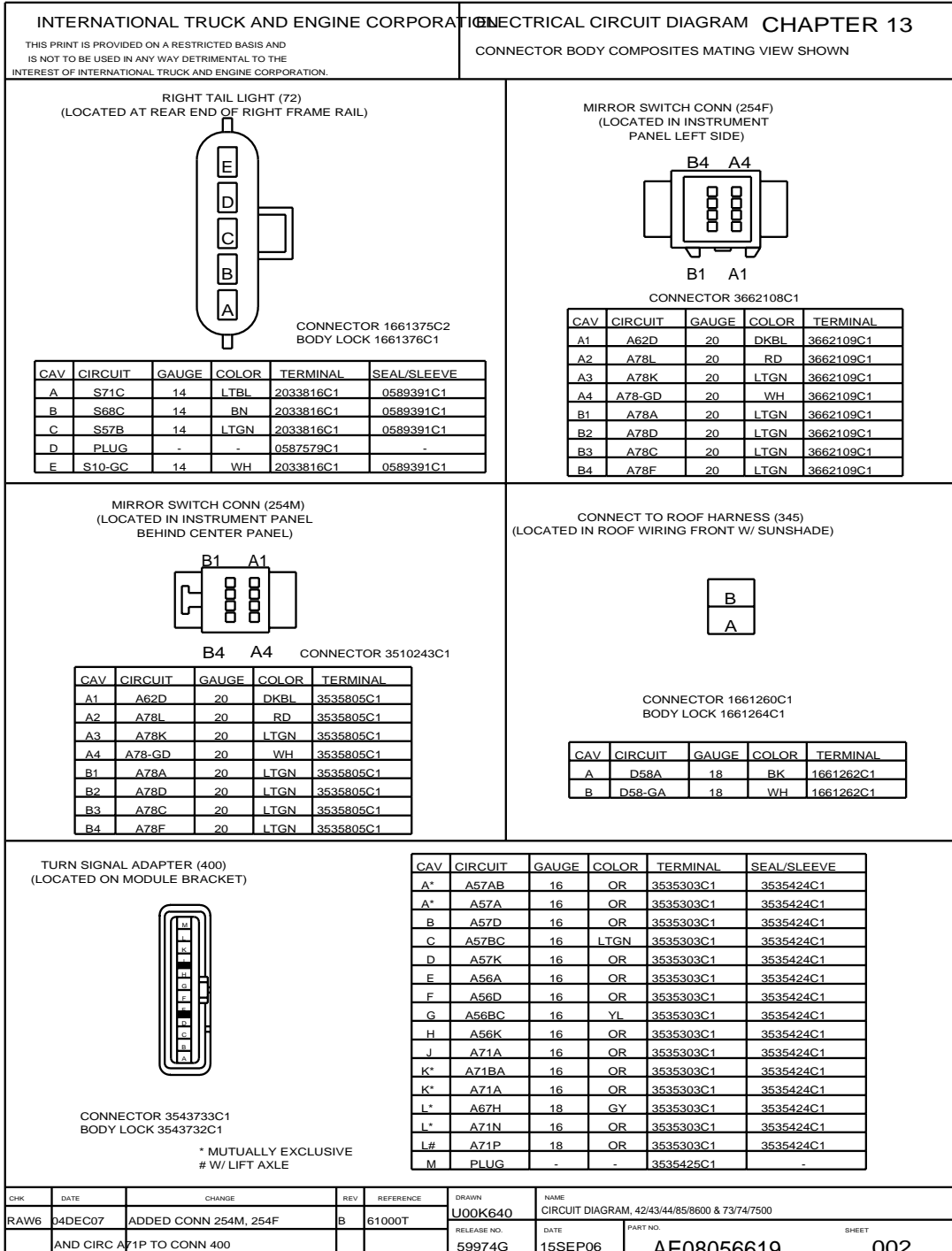


Figure 214 Connector Composites (72), (254F), (254M), (345), (400)

13.3. CONNECTOR COMPOSITES (421), (422), (422F), (423), (424), (425), P. 3

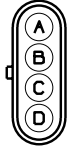
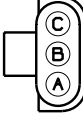
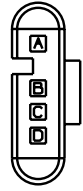
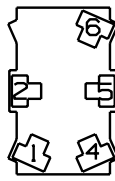
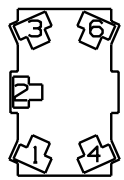
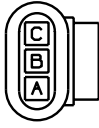
INTERNATIONAL TRUCK AND ENGINE CORPORATION				ELECTRICAL CIRCUIT DIAGRAM CHAPTER 13							
THIS PRINT IS PROVIDED ON A RESTRICTED BASIS AND IS NOT TO BE USED IN ANY WAY DETRIMENTAL TO THE INTEREST OF INTERNATIONAL TRUCK AND ENGINE CORPORATION.				CONNECTOR BODY COMPOSITES MATING VIEW SHOWN							
RESISTANCE MODULE IN (421) (LOCATED IN INSTRUMENT PANEL CENTER)				RESISTANCE MODULE OUT (422) (LOCATED IN INSTRUMENT PANEL CENTER)							
											
CONNECTOR 0587571C9I				CONNECTOR 3519221C9I							
CAV	CIRCUIT	GAUGE	COLOR	TERMINAL	SEAL/SLEEVE	CAV	CIRCUIT	GAUGE	COLOR	TERMINAL	SEAL/SLEEVE
A	A92RE	18	TN	0587578C1	3517771C1	A	A92#158	18	TN	0587576C1	3517771C1
B	A92RF	18	TN	0587578C1	3517771C1	B	A92#156	18	TN	0587576C1	3517771C1
C	A92RH	18	TN	0587578C1	3517771C1	C	A92#112	18	TN	0587576C1	3517771C1
D	A92RJ	18	TN	0587578C1	3517771C1						
LCT T HANDLE SHIFTER (422F) (LOCATED IN INSTRUMENT PANEL)				RETARD REQUEST SWITCH (423) (LOCATED IN INSTRUMENT PANEL CENTER)							
											
CONNECTOR 3540756C1 BODY LOCK 3540758C1				CONNECTOR 1673743C1							
CAV	CIRCUIT	GAUGE	COLOR	TERMINAL	SEAL/SLEEVE	CAV	CIRCUIT	GAUGE	COLOR	TERMINAL	SEAL/SLEEVE
A	A92A163	16	TN	1661875C1	1661872C1	1	A92#161	18	TN	1661224C1	
B	A92D	18	TN	1661875C1	3568570C1	2	A92#103	18	TN	1661224C1	
C	A92#142	18	TN	1661875C1	3568570C1	4	-	-	-	-	-
D	A92#103	18	TN	1661875C1	3568570C1	5	-	-	-	-	-
D*	A92A103	18	TN	1661875C1	3568570C1	6	-	-	-	-	-
• MUTUALLY EXCLUSIVE				• MUTUALLY EXCLUSIVE							
RETARDER OUTPUT SWITCH (424) (LOCATED IN INSTRUMENT PANEL CENTER)				FELSTED SHIFTER PARK BRAKE (425) (LOCATED IN INSTRUMENT PANEL CENTER)							
											
CONNECTOR 1687783C1				CONNECTOR 1667741C1 BODY LOCK 1667771C1							
CAV	CIRCUIT	GAUGE	COLOR	TERMINAL	SEAL/SLEEVE	CAV	CIRCUIT	GAUGE	COLOR	TERMINAL	SEAL/SLEEVE
1	-	-	-	-	-	A	A92-GG	18	WH	1661875C1	3568570C1
2	A92RE	18	TN	1661224C1		B	A44L	18	GY	1661875C1	3568570C1
3	A92RF	18	TN	1661224C1		C	A92AG	18	TN	1661875C1	3568570C1
4	A92RH	18	TN	1661224C1							
6	A92RJ	18	TN	1661224C1							
CHR	DATE	CHANGE	REV	REFERENCE	DRAWN	NAME					
0	MAY07	REVISED & REDRAWN	A	60782A	UOOK640	42/43/44/85/8600 & 73/74/7500 CIRC DIAGRAMS					
					RELEASE NO.	DATE	PART NO.	SHEET			
					59974G	15SEP06	AE08-56619	03			

Figure 215 Connector Composites (421), (422), (422F), (423), (424), (425)

13.4. CONNECTOR COMPOSITES (520), (521), (522), (523), (524), (827), P. 4

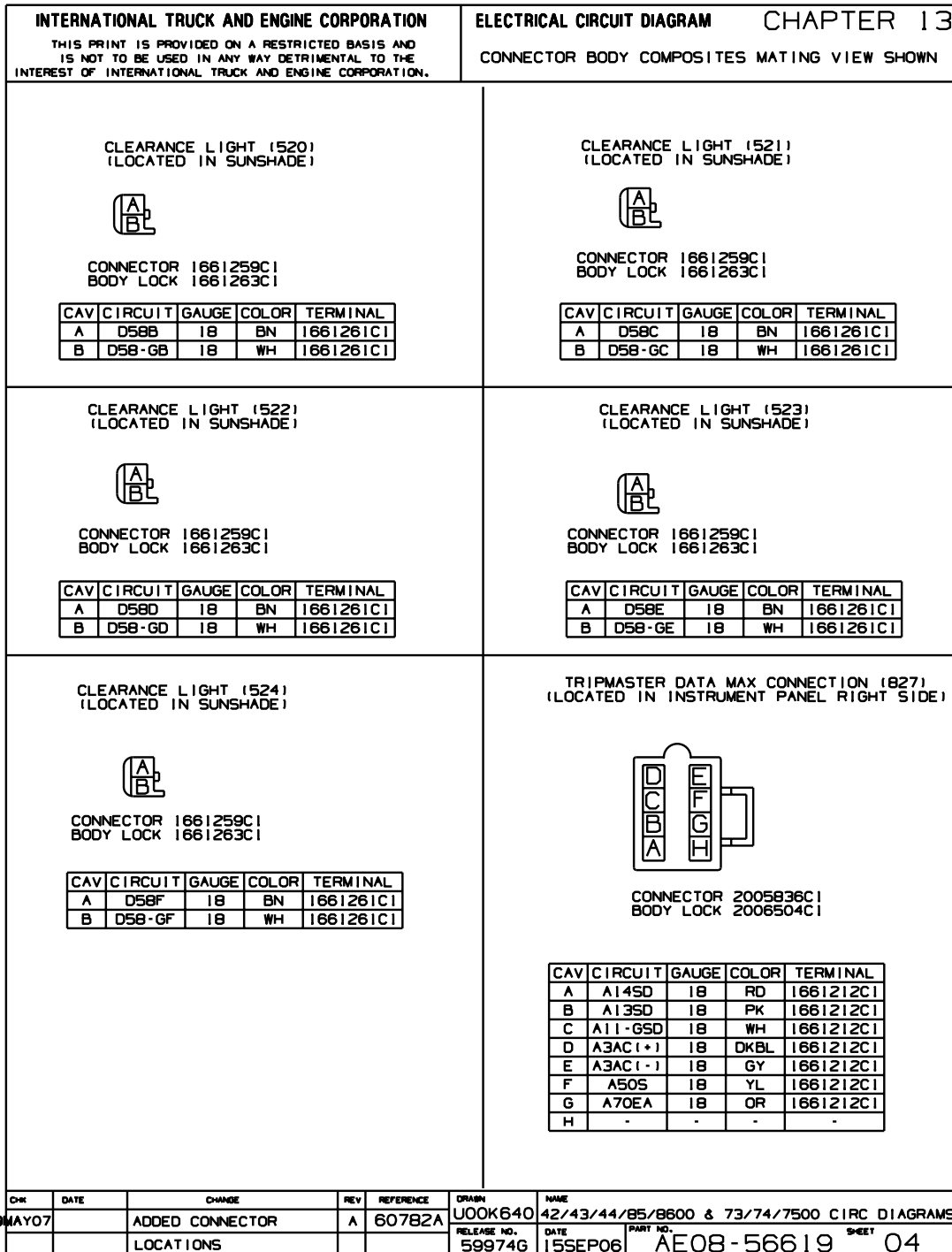


Figure 216 Connector Composites (520), (521), (522), (523), (524), (827)

13.5. CONNECTOR COMPOSITES (830), (1002), (1003), (1006), P. 5

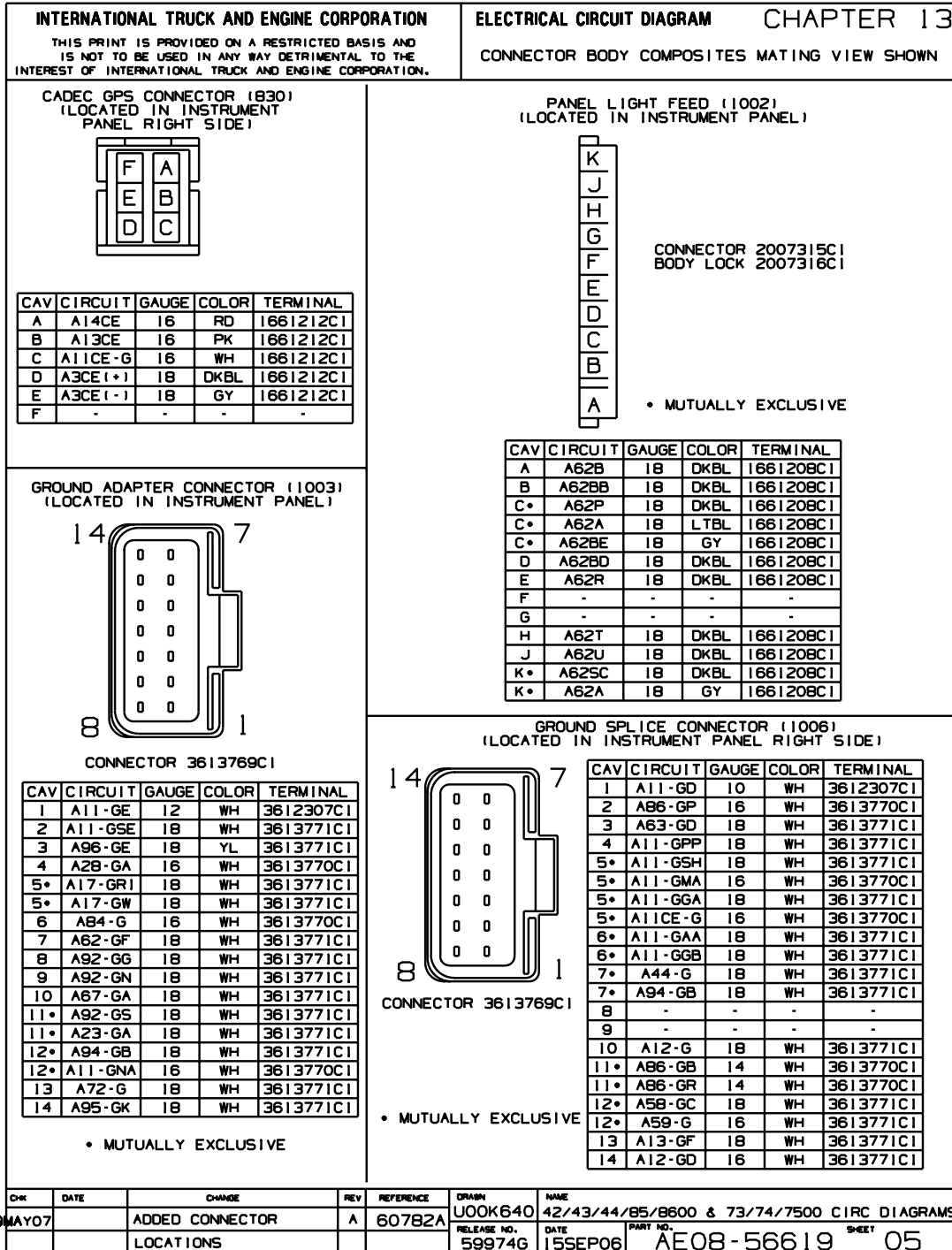
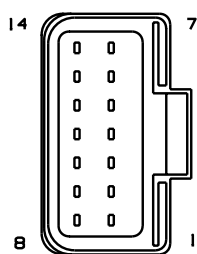


Figure 217 Connector Composites (830), (1002), (1003), (1006)

13.6. CONNECTOR COMPOSITES (1008), (1009), P. 6

<p>INTERNATIONAL TRUCK AND ENGINE CORPORATION</p> <p>THIS PRINT IS PROVIDED ON A RESTRICTED BASIS AND IS NOT TO BE USED IN ANY WAY DETRIMENTAL TO THE INTEREST OF INTERNATIONAL TRUCK AND ENGINE CORPORATION.</p>	<p>ELECTRICAL CIRCUIT DIAGRAM CHAPTER 13</p> <p>CONNECTOR BODY COMPOSITES MATING VIEW SHOWN</p>
--------------------------------------------------------------------------------------------------------------------------------------------------------------------------------------------------------------------------	--------------------------------------------------------------------------------------------------------------------

GROUND ADAPTER (1008)
(LOCATED IN INSTRUMENT PANEL RIGHT SIDE)

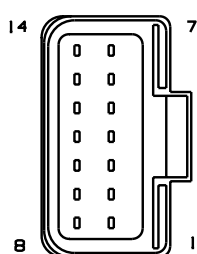


CONNECTOR 3613769C1

CAV	CIRCUIT	GAUGE	COLOR	TERMINAL
1	A11-G	10	WH	3612307C1
2*	A11-GC	14	GY	3613770C1
2*	A11-GX	18	WH	3613771C1
2*	A62-GT	18	WH	3613771C1
3	A96-G	18	YL	3613771C1
4	A37-GA	18	WH	3613771C1
5	A78-GA	16	WH	3613770C1
6	A78-GB	16	WH	3613770C1
7	A19-GB	18	WH	3613771C1
8	A11-GH	16	WH	3613770C1
9	A67-G	16	WH	3613770C1
10	-	-	-	-
11*	A12-GR	18	WH	3613771C1
11*	A72-GA	18	WH	3613771C1
12	A11-GL	18	WH	3613771C1
13*	A11-GN	14	WH	3613770C1
13*	A11-GN	18	WH	3613771C1
14*	A105-G	18	WH	3613771C1
14*	A105-G	16	WH	3613770C1

• MUTUALLY EXCLUSIVE

ZVR GROUND ADAPTER (1009)



CONNECTOR 3613769C1

CAV	CIRCUIT	GAUGE	COLOR	TERMINAL
1	B9V	18	GY	3613771C1
2	B9VB	18	GY	3613771C1
3	B9R	18	GY	3613771C1
4	B9S	18	GY	3613771C1
5	B9VE	18	GY	3613771C1
6	B9VH	18	GY	3613771C1
7	B9VG	18	GY	3613771C1
8	B9VF	18	GY	3613771C1
9	B9VC	18	GY	3613771C1
10	B9VD	18	GY	3613771C1
11	BLK2	18	WH	3613771C1

CHK	DATE	CHANGE	REV	REFERENCE	DRAWN	NAME
9	MAY07	REVISED & REDRAWN	A	60782A	U00K640	42/43/44/85/8600 & 73/74/7500 CIRC DIAGRAMS
					RELEASE NO.	PART NO.
					59974G	AE08-56619 06
					DATE	SHEET
					15SEP06	06

Figure 218 Connector Composites (1008), (1009)

13.7. CONNECTOR COMPOSITE (1010), P. 7

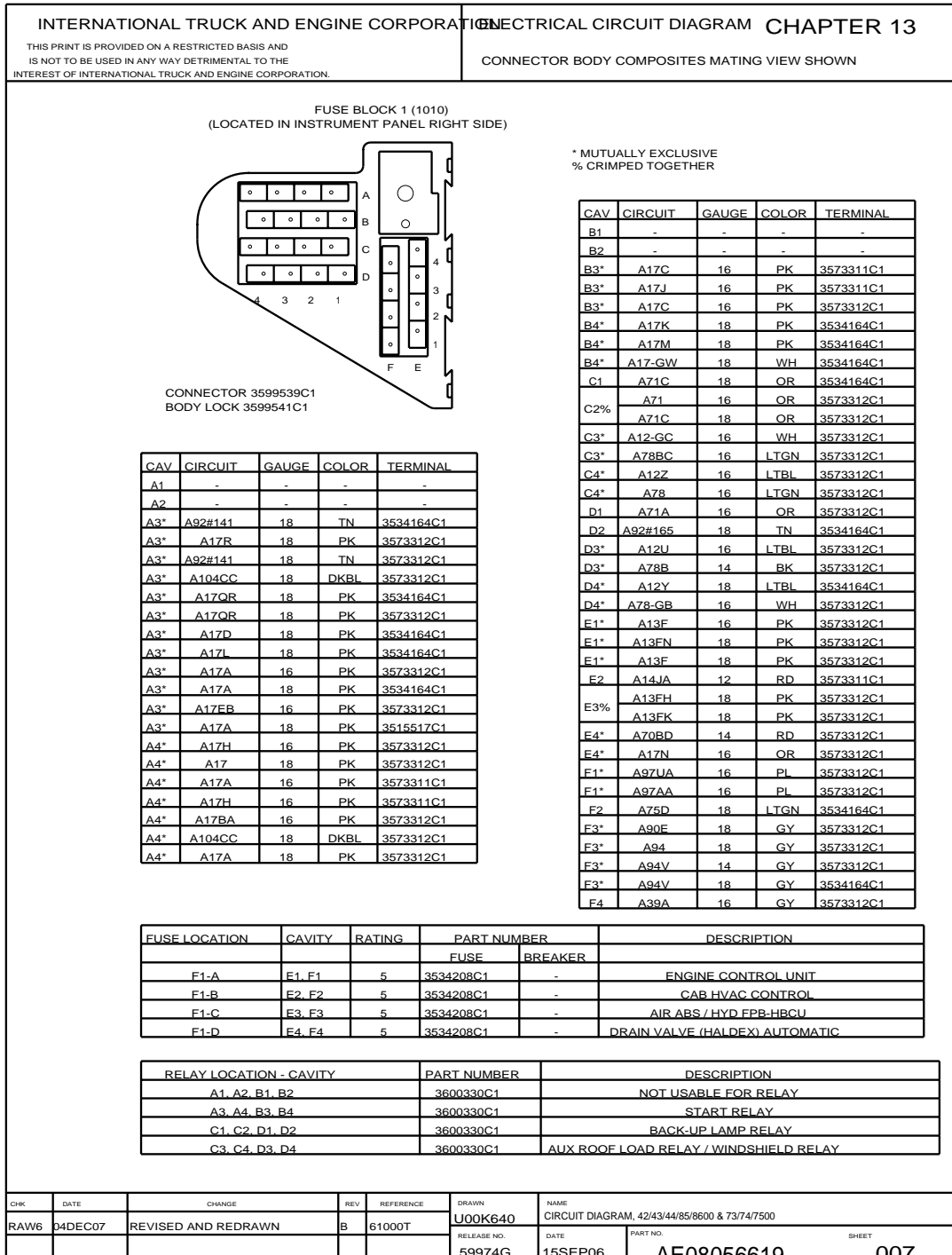


Figure 219 Connector Composite (1010)

13.8. CONNECTOR COMPOSITE (1011), P. 8

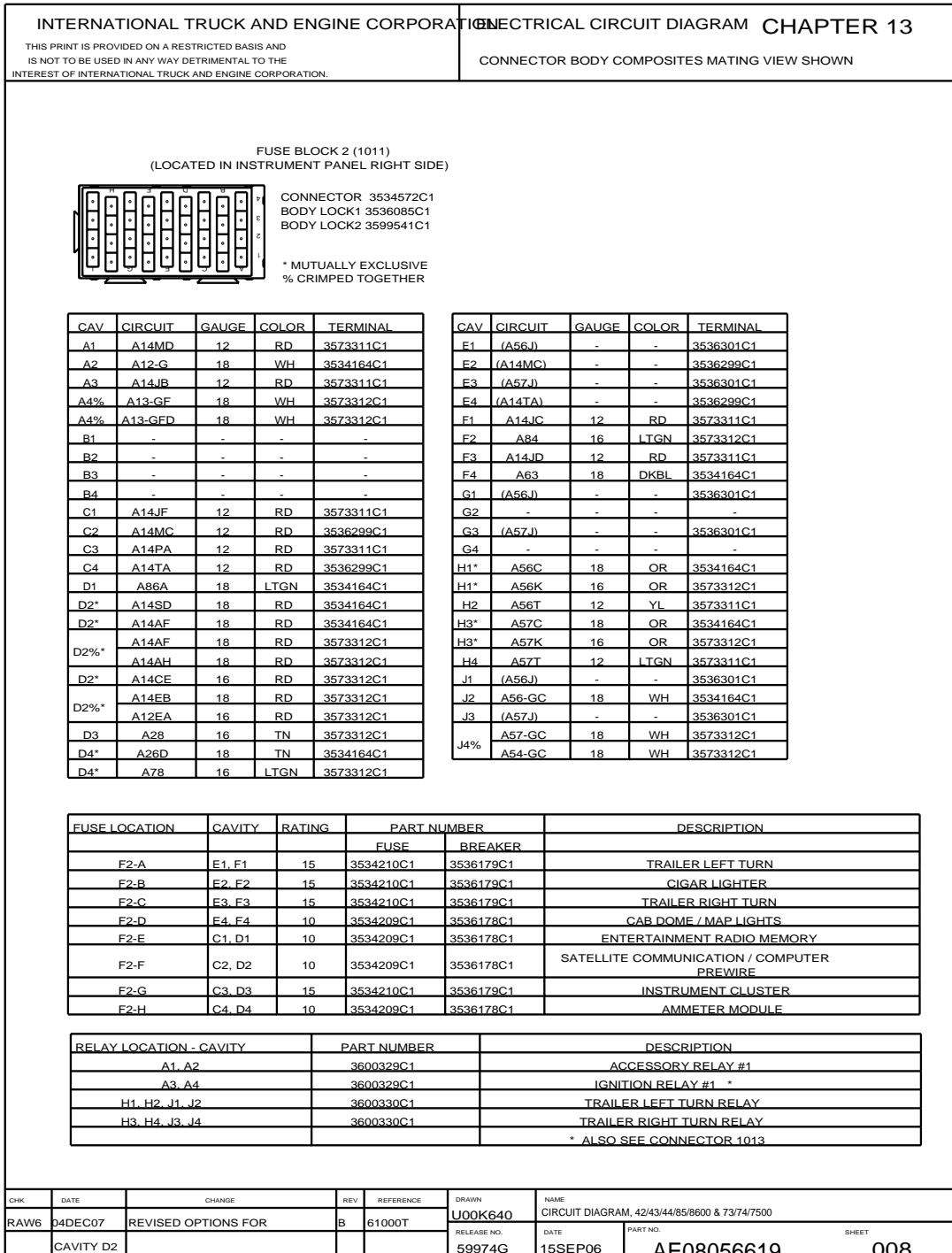


Figure 220 Connector Composite (1011)

13.9. CONNECTOR COMPOSITE (1012), P. 9

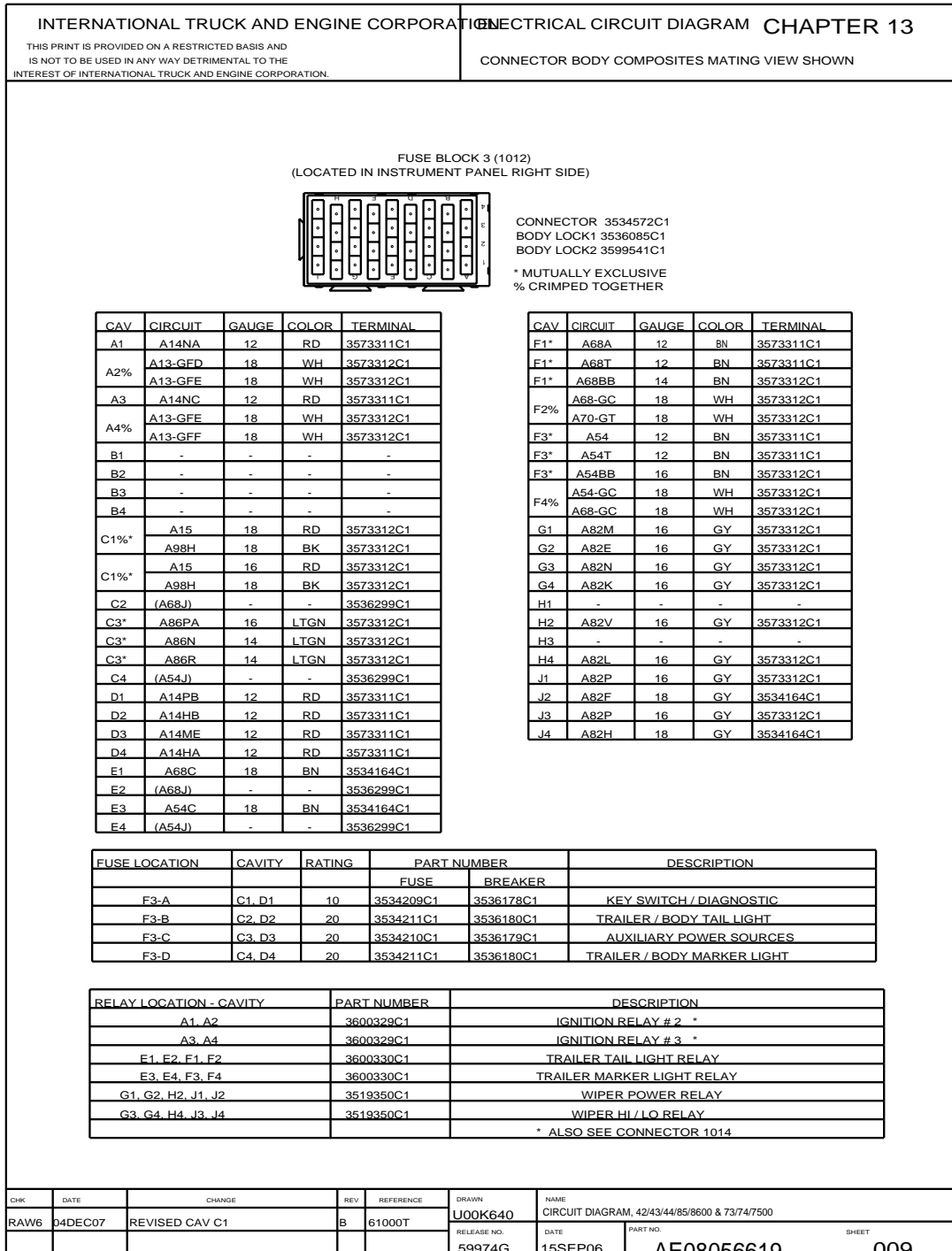


Figure 221 Connector Composite (1012)

13.11. CONNECTOR COMPOSITE (1014), P. 11

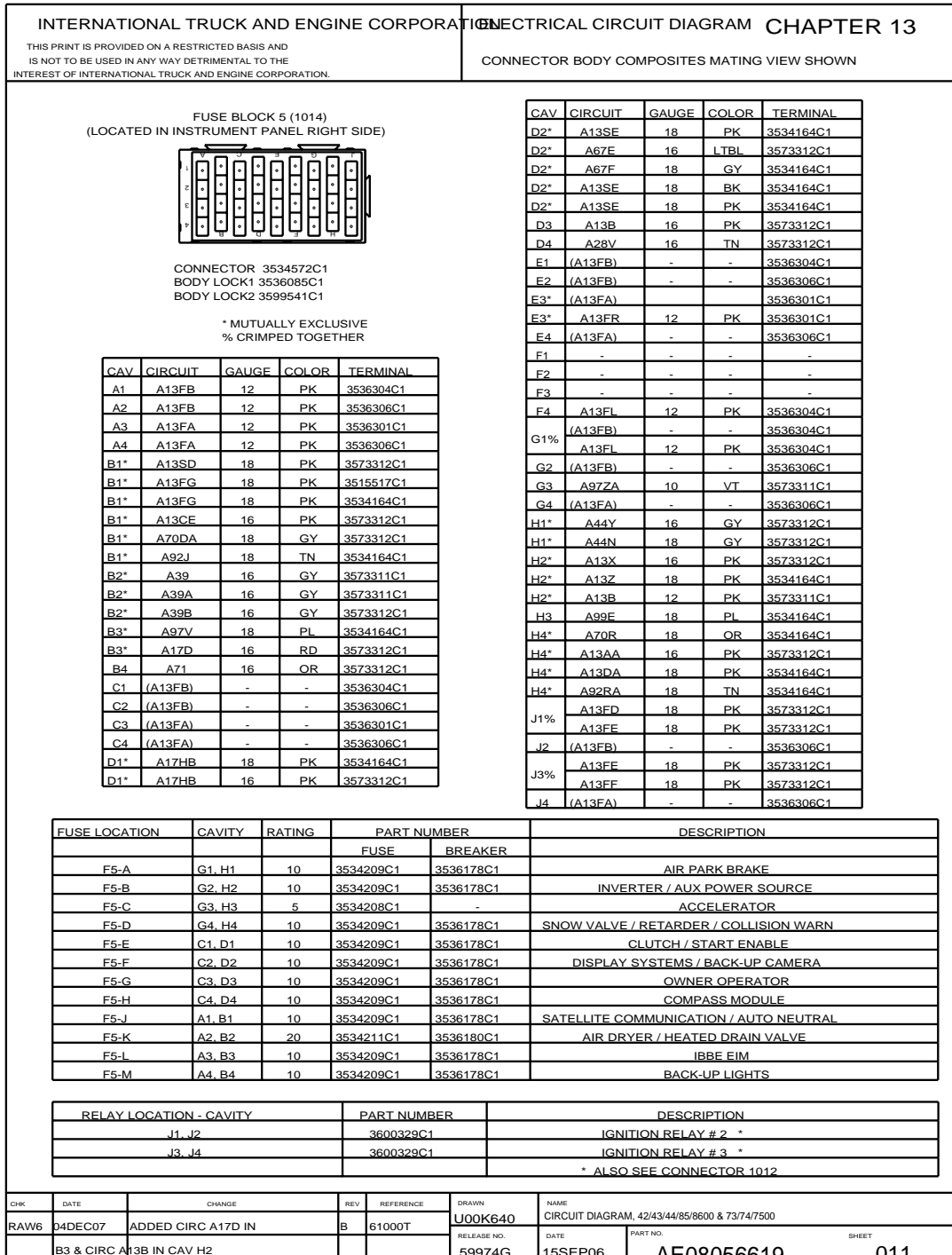
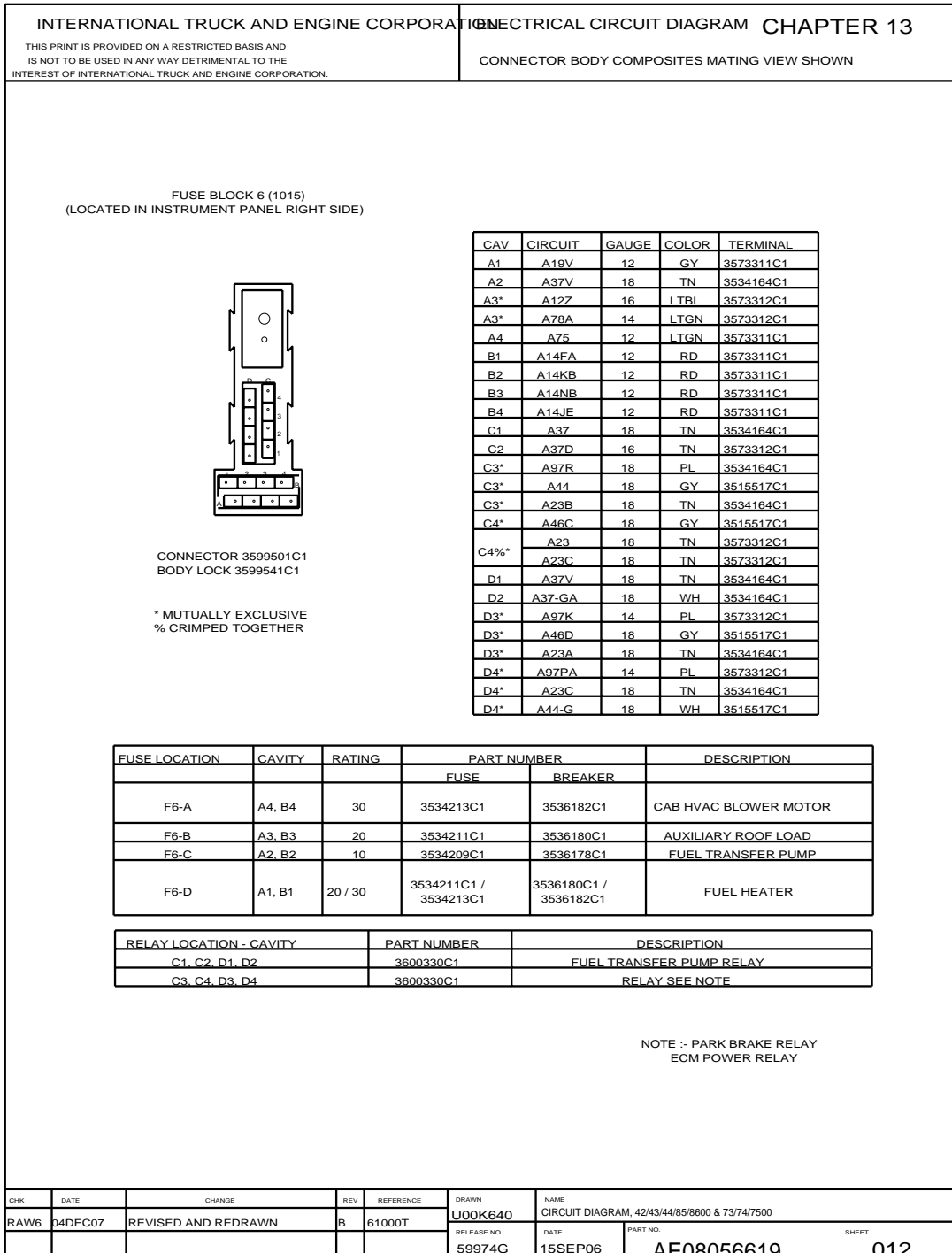


Figure 223 Connector Composite (1014)

13.12. CONNECTOR COMPOSITE (1015), P. 12



CHK	DATE	CHANGE	REV	REFERENCE	DRAWN	NAME
RAW6	04DEC07	REVISED AND REDRAWN	B	61000T	U00K640	CIRCUIT DIAGRAM, 42/43/44/85/8600 & 73/74/7500
					RELEASE NO.	DATE
					59974G	15SEP06
						PART NO.
						AE08056619
						SHEET
						012

Figure 224 Connector Composite (1015)

13.13. CONNECTOR COMPOSITE (1016), P. 13

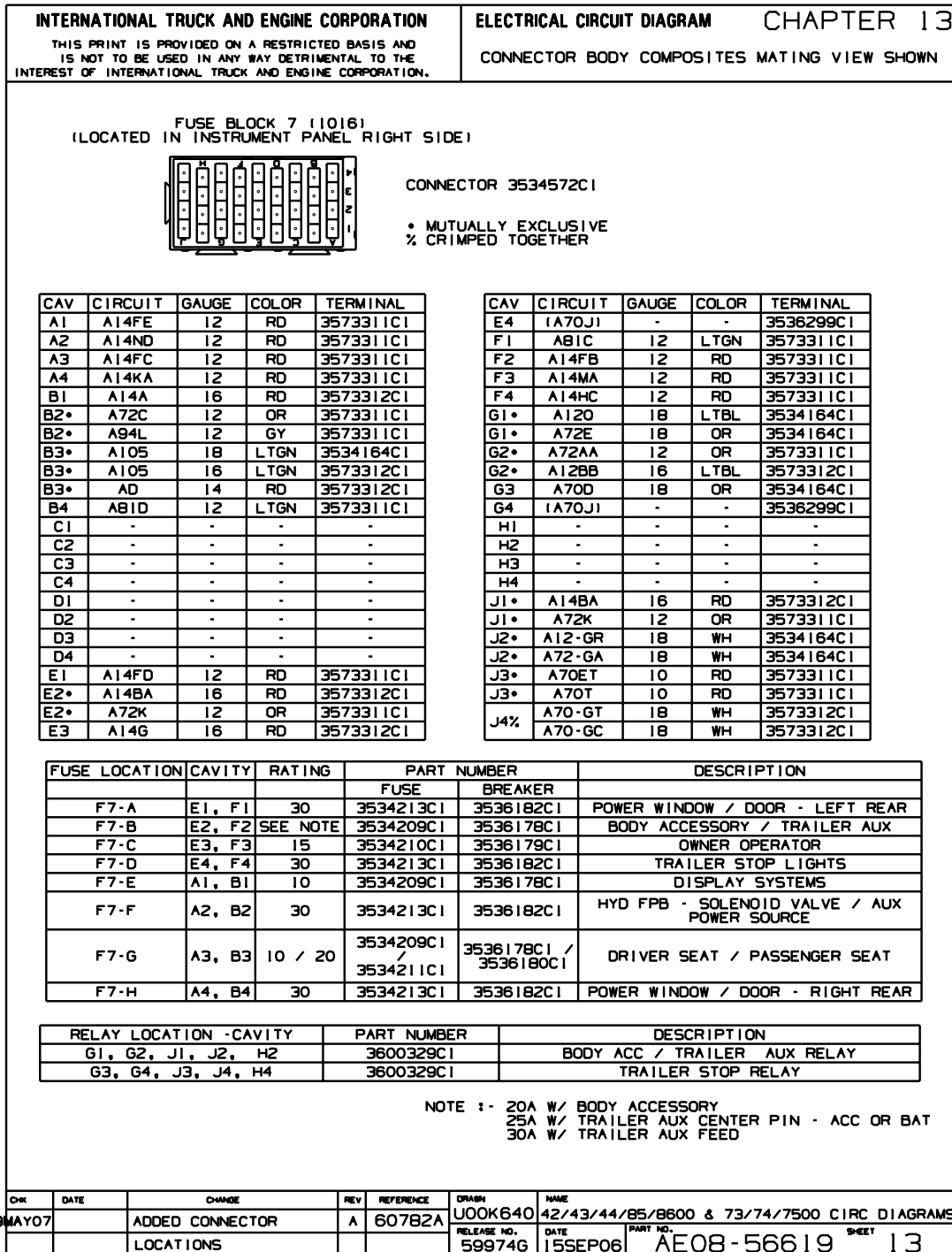


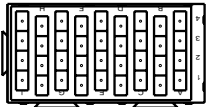
Figure 225 Connector Composite (1016)

13.14. CONNECTOR COMPOSITE (1017), P. 14

INTERNATIONAL TRUCK AND ENGINE CORPORATION		ELECTRICAL CIRCUIT DIAGRAM CHAPTER 13	
THIS PRINT IS PROVIDED ON A RESTRICTED BASIS AND IS NOT TO BE USED IN ANY WAY DETRIMENTAL TO THE INTEREST OF INTERNATIONAL TRUCK AND ENGINE CORPORATION.		CONNECTOR BODY COMPOSITES MATING VIEW SHOWN	

CAV	CIRCUIT	GAUGE	COLOR	TERMINAL
A1	A14NE	12	RD	3536301C1
A2	A14PE	10	RD	3573311C1
A3	A14KC	12	RD	3573311C1
A4	A14PD	10	RD	3573311C1
B1*	A97FZ	14	VT	3573312C1
B1*	A97SZ	14	PL	3573312C1
B1*	A14F	12	RD	3573311C1
B2*	A92BT	18	TN	3534164C1
B2*	A14A	12	RD	3573311C1
B2*	A14H	16	PK	3573312C1
B3	A14NS	12	BK	3573311C1
B4*	A97D	10	PL	3573311C1
B4*	A14G	12	RD	3573311C1
C1	(A14NE)	-	-	3536301C1
C2	-	-	-	-
C3	-	-	-	-
C4	-	-	-	-
D1	-	-	-	-
D2	-	-	-	-
D3	-	-	-	-
D4	-	-	-	-
E1	(A14NE)	-	-	3536301C1
E2*	A94AY	14	GY	3573312C1
E2*	A94AY	12	RD	3573311C1
E3	A20	16	LTGN	3573312C1
E4*	A94UA	12	GY	3573311C1
E4*	A72J	12	OR	3573311C1
F1*	A92FB	16	TN	3573312C1
F1*	A17H	16	PK	3573312C1
F2	A14HE	12	RD	3573311C1
F3	A14MB	12	RD	3573311C1
F4	A14PC	12	RD	3573311C1
G1*	A92#145	18	TN	3534164C1
G1*	A92RD	16	TN	3573312C1
G1*	A17L	18	PK	3534164C1

FUSE BLOCK 8 (1017)
(LOCATED IN INSTRUMENT PANEL RIGHT SIDE)



CONNECTOR 3534572C1
BODY LOCK 3536085C1

CAV	CIRCUIT	GAUGE	COLOR	TERMINAL
G2*	A92JA	18	TN	3534164C1
G2*	A92#163	16	TN	3573312C1
G2*	A17B	18	PK	3573312C1
G2*	A17J	16	PK	3573312C1
G2*	A13FF	18	PK	3573312C1
G3%	A13FH	18	PK	3573312C1
G4*	A94T	10	GY	3573311C1
G4*	A72	12	OR	3573311C1
H1	A92FN	16	TN	3573312C1
H2	A17S	18	PK	3534164C1
H3	-	-	-	-
H4	-	-	-	-
J1*	A92FB	16	TN	3573311C1
J1*	A17HB	16	PK	3573312C1
J1*	A92FBA	16	TN	3573311C1
J1*	A92BC	18	TN	3534164C1
J2*	A92J	18	TN	3573312C1
J2*	A92JA	18	TN	3573312C1
J2*	A92FBA	16	TN	3573312C1
J2*	A17K	18	PK	3534164C1
J3*	A94UA	12	GY	3573311C1
J3*	A72J	12	OR	3573311C1
J4%	A13-GFF	18	WH	3573312C1
J4%	A13-GFK	18	WH	3573312C1

* MUTUALLY EXCLUSIVE
% CRIMPED TOGETHER

FUSE LOCATION	CAVITY	RATING	PART NUMBER		DESCRIPTION
			FUSE	BREAKER	
F8-A	E1, F1	10	3534209C1	3536178C1	TRANSMISSION SHIFTER
F8-B	E2, F2	30 / 15	3534213C1 / 3534210C1	3536182C1 / 3536179C1	BENDIX AIR ABS / WABCO AIR ABS
F8-C	E3, F3	10	3534209C1	3536178C1	REMOTE POWER UNIT
F8-D	E4, F4	30	3534213C1	3536182C1	TRAILER AIR ABS / ETB AUX
F8-E	A1, B1	20	3534210C1	3536179C1	INTERNATIONAL BIG BORE ENGINE
F8-F	A2, B2	NOTE 2	3534209C1	3536178C1	TRANSMISSION CONTROL UNIT
F8-G	A3, B3	30	3534213C1	3536182C1	ELECTRIC TRAILER BRAKES
F8-H	A4, B4	NOTE 3	3534211C1 / 3534213C1	3536180C1 / 3536182C1	ENGINE CONTROL UNIT

RELAY LOCATION - CAVITY	PART NUMBER	DESCRIPTION
G1, G2, J1, J2, H2	3519350C1	OPTIONAL RELAY SEE NOTE 1
G3, G4, J3, J4, H4	3519350C1	TRAILER ABS ECU RELAY

NOTE 1: AUTO NEUTRAL
START ENABLE RELAY
COLUMN SHIFTER

NOTE 2: 10A - ALLISION TRANSMISSION
30A - EATON AUTOSHIFT OR ULTRASHIFT TRANSMISSION

NOTE 3: 20A - CAT ENGINE
30A - CUMMINS ENGINE
25A - INTERNATIONAL BIG BORE (IBBE)

CHK	DATE	CHANGE	REV	REFERENCE	DRAWN	NAME
RAW6	04DEC07	REVISED AND REDRAWN	B	61000T	U00K640	CIRCUIT DIAGRAM, 42/43/44/85/8600 & 73/74/7500
					RELEASE NO. 59974G	DATE 15SEP06
						PART NO. AE08056619
						SHEET 014

Figure 226 Connector Composite (1017)

13.15. CONNECTOR COMPOSITE (1018), P. 15

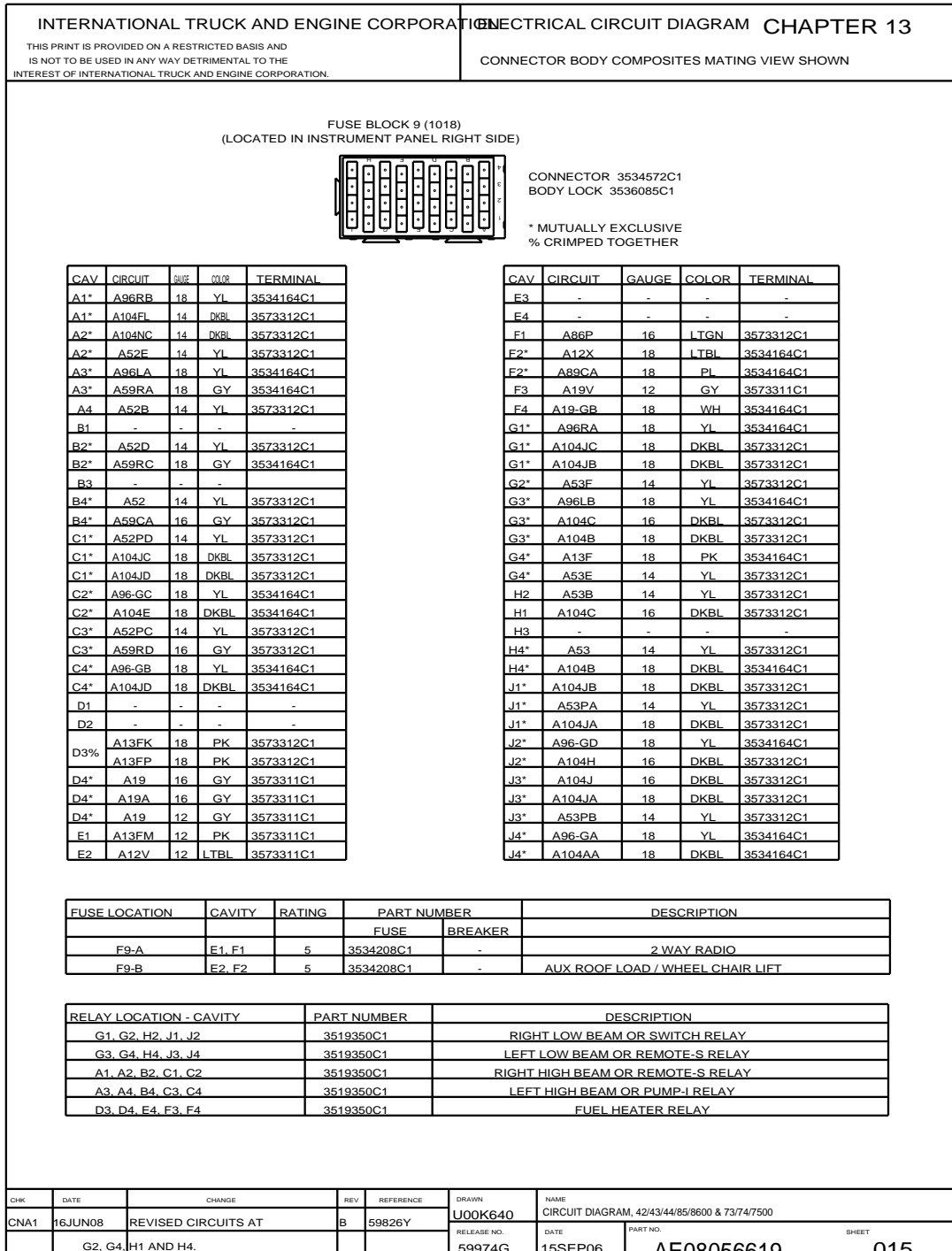


Figure 227 Connector Composite (1018)

13.16. CONNECTOR COMPOSITE (1019), P. 16

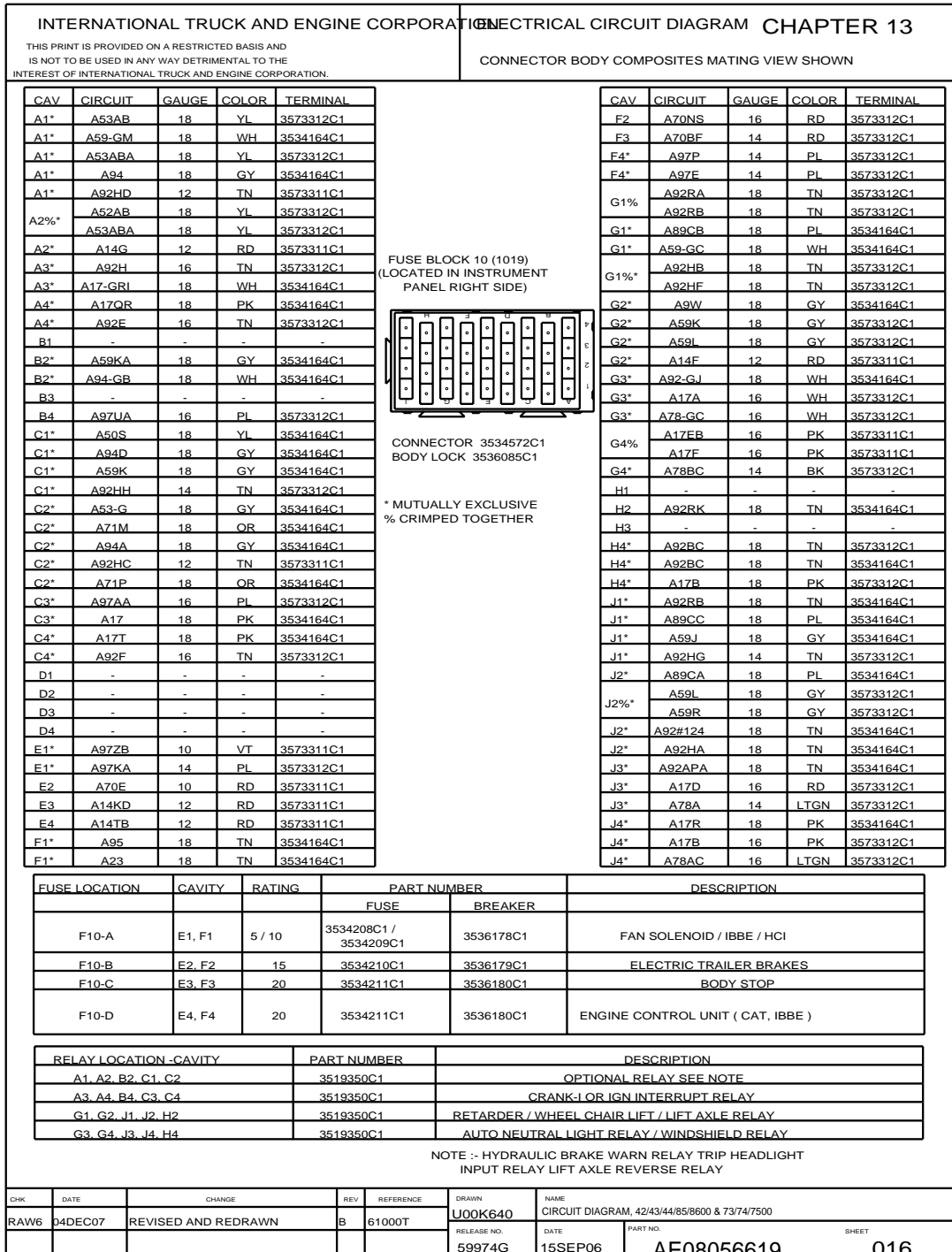


Figure 228 Connector Composite (1019)

13.17. CONNECTOR COMPOSITES (1020), P. 17

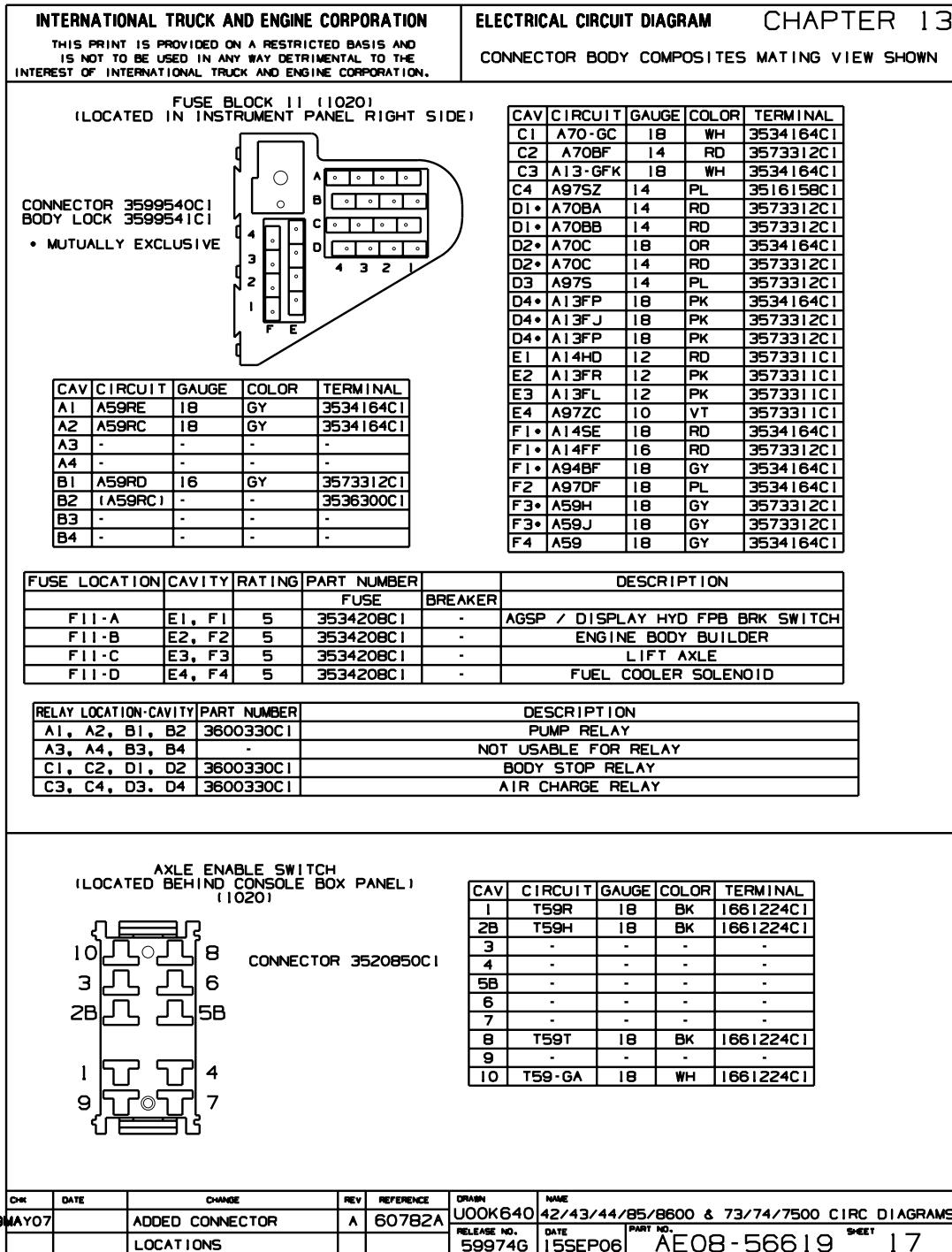


Figure 229 Connector Composites (1020)

13.18. CONNECTOR COMPOSITES (1021), (1022), (1023A), (1023B), P. 18

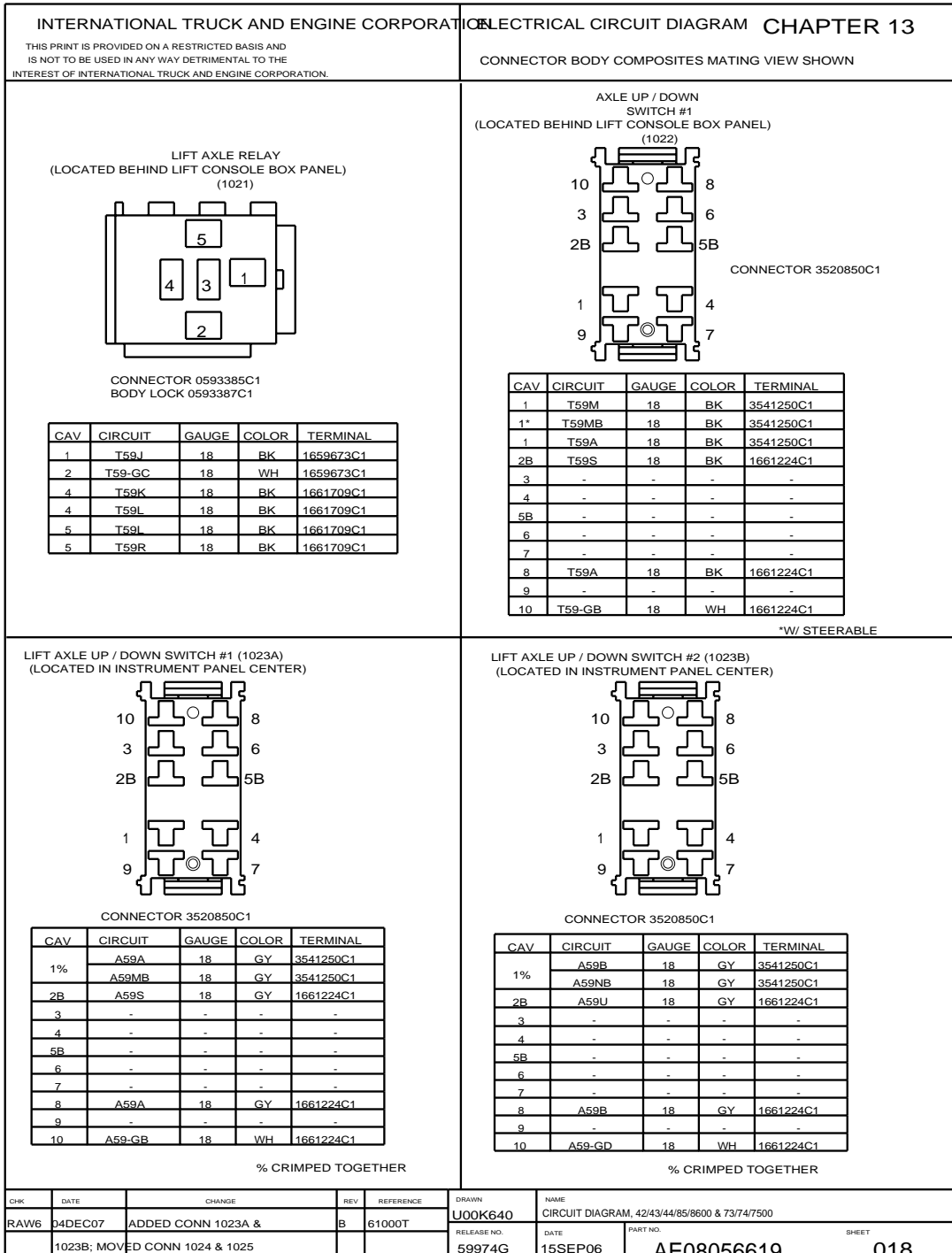


Figure 230 Connector Composites (1021), (1022), (1023A), (1023B)

13.19. CONNECTOR COMPOSITES (1023C), (1023D), (1024), (1025), P. 18A

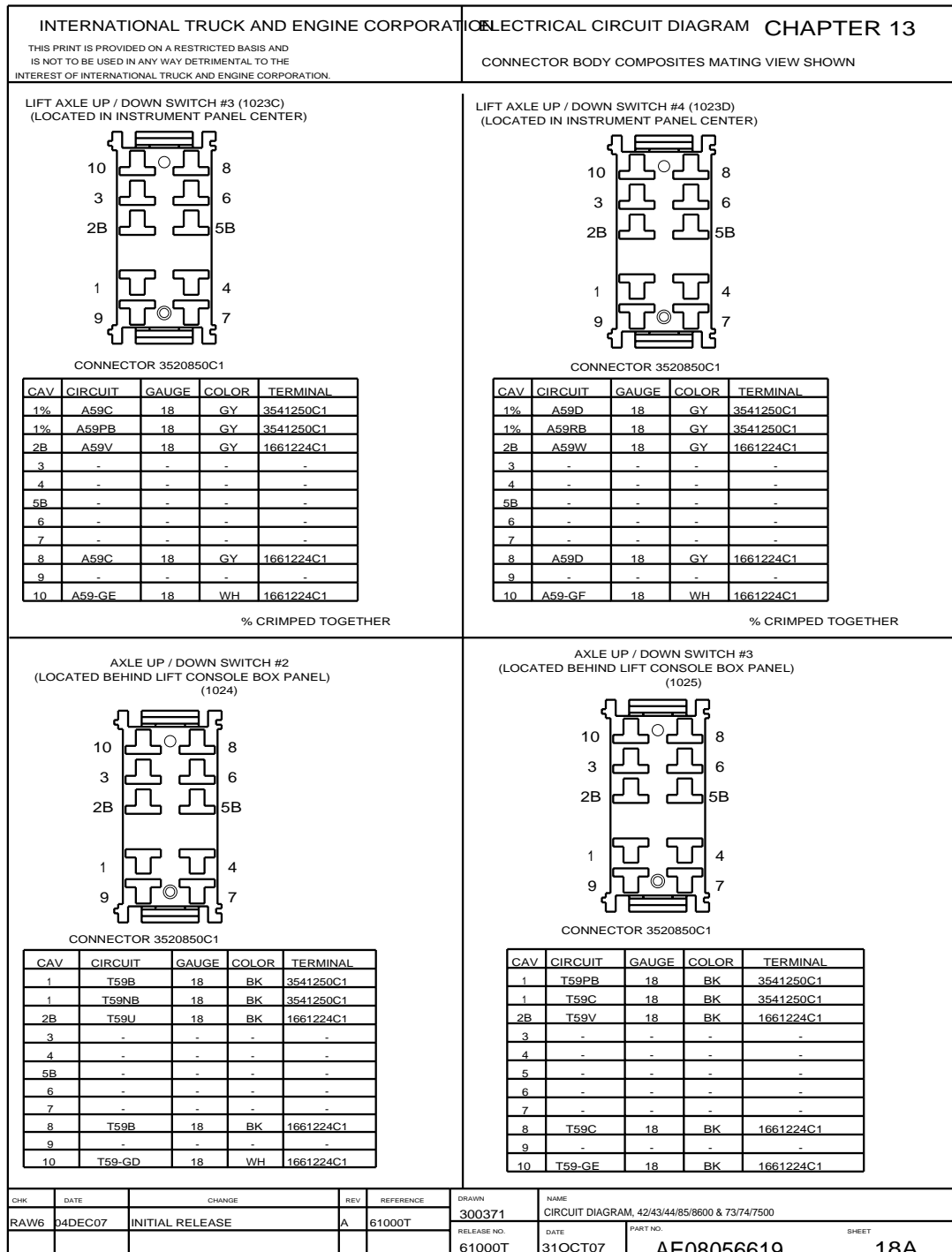


Figure 231 Connector Composites (1023C), (1023D), (1024), (1025)

13.20. CONNECTOR COMPOSITES (1025), (1026), (1029), P. 19

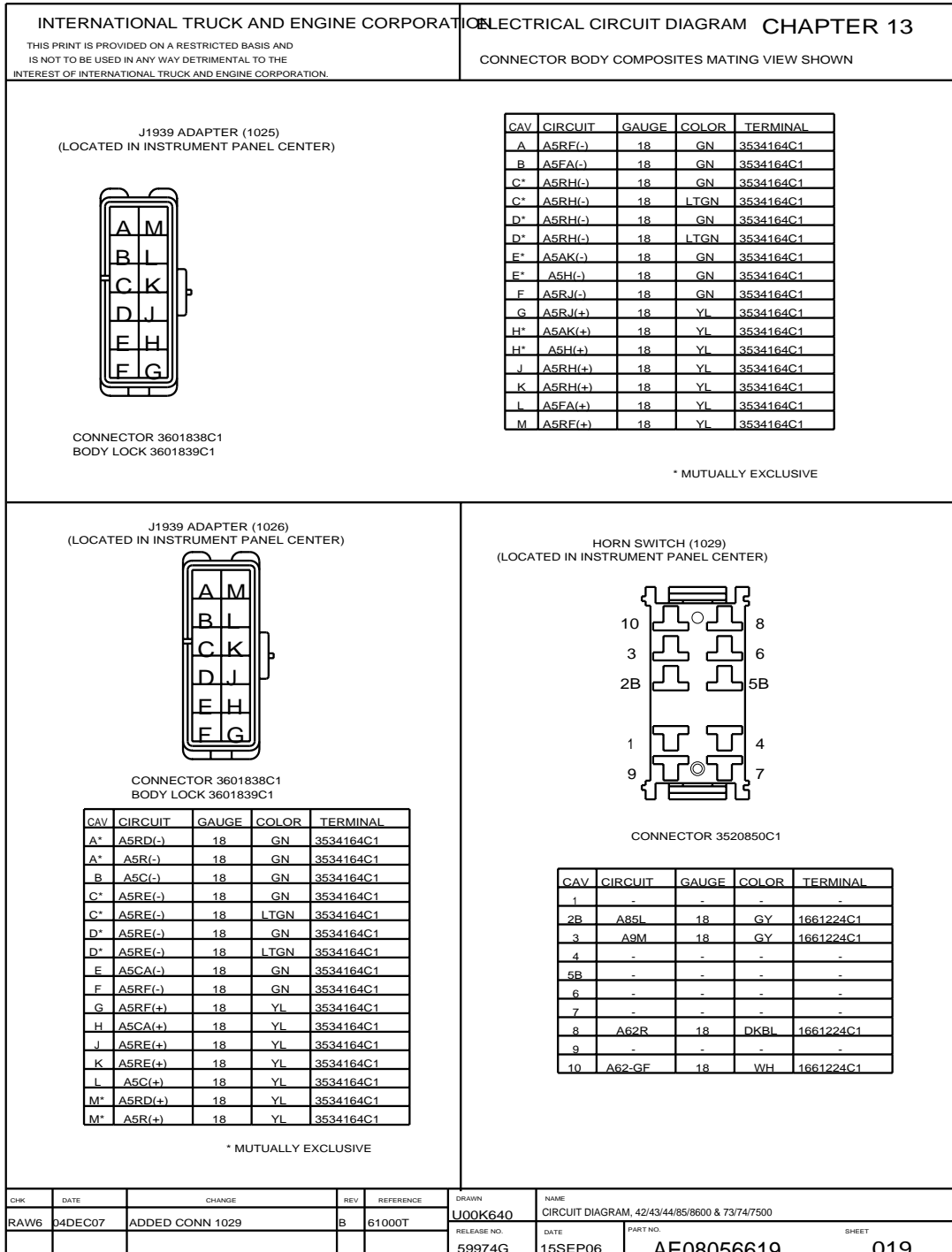


Figure 232 Connector Composites (1025), (1026), (1029)

13.21. CONNECTOR COMPOSITES (1100), (1100MA), (1101), (1101A), P. 20

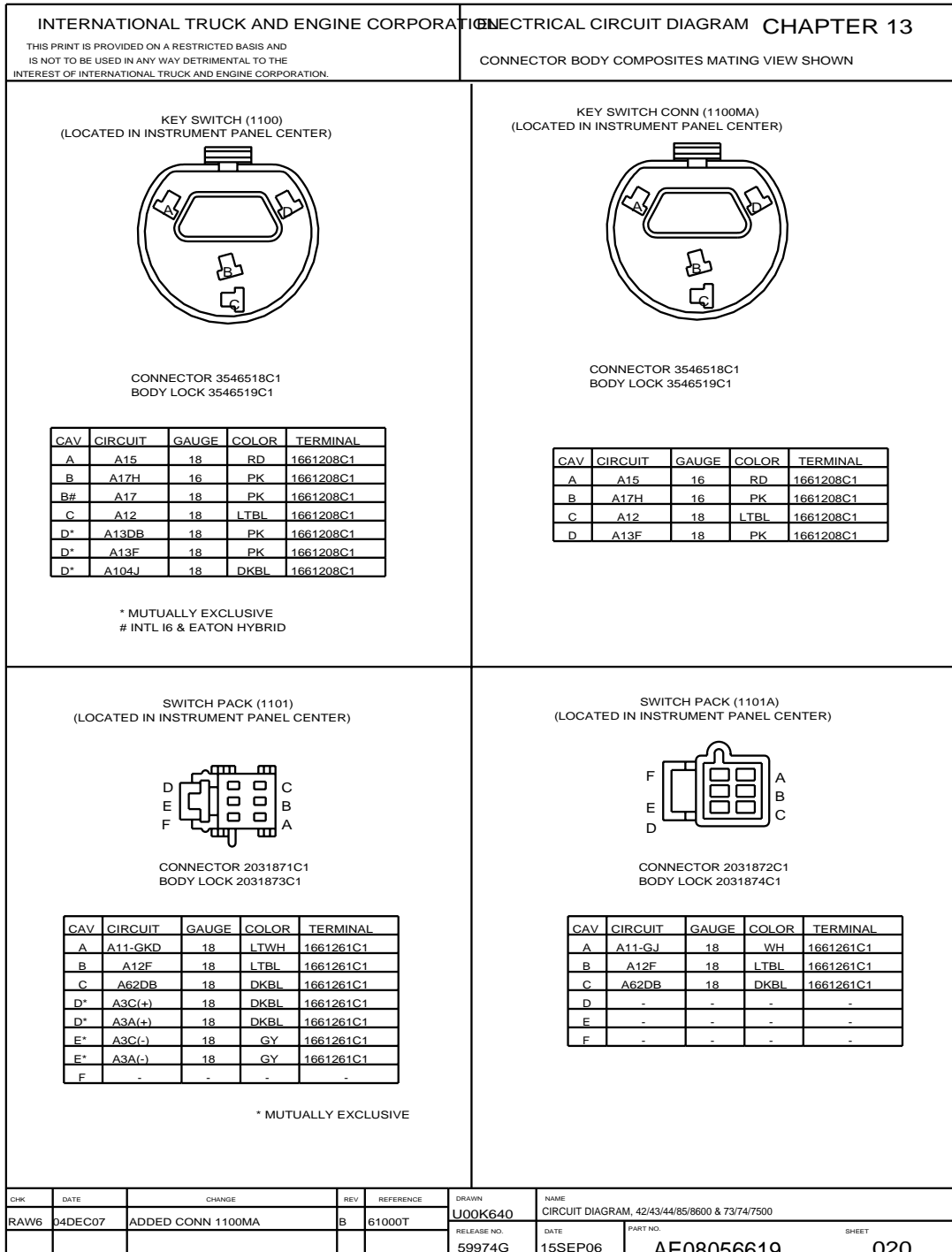


Figure 233 Connector Composites (1100), (1100MA), (1101), (1101A)

13.22. CONNECTOR COMPOSITES (1105), (1106), (1107), (1108), P. 21

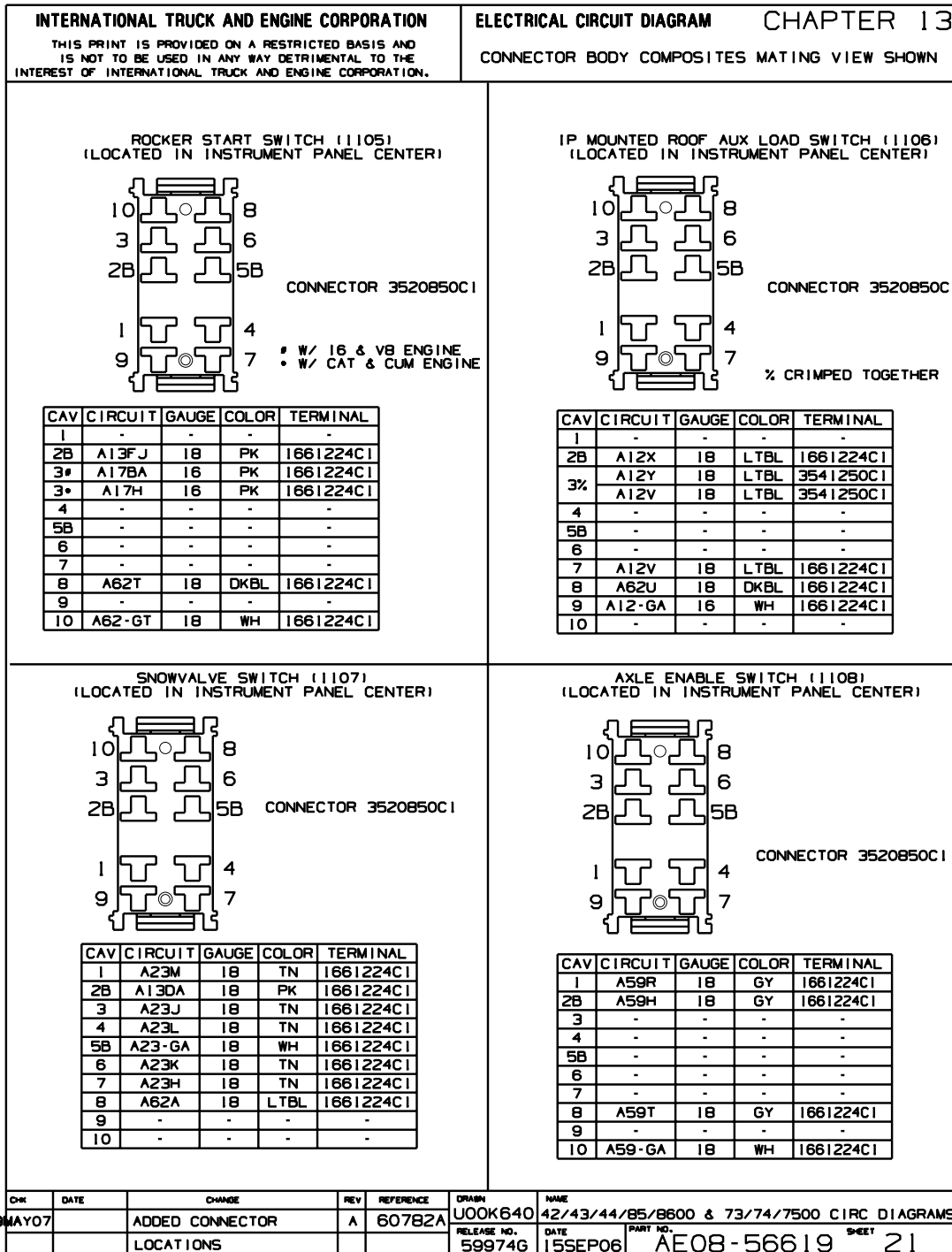


Figure 234 Connector Composites (1105), (1106), (1107), (1108)

13.23. CONNECTOR COMPOSITES (1109), (1110), (1200), P. 22

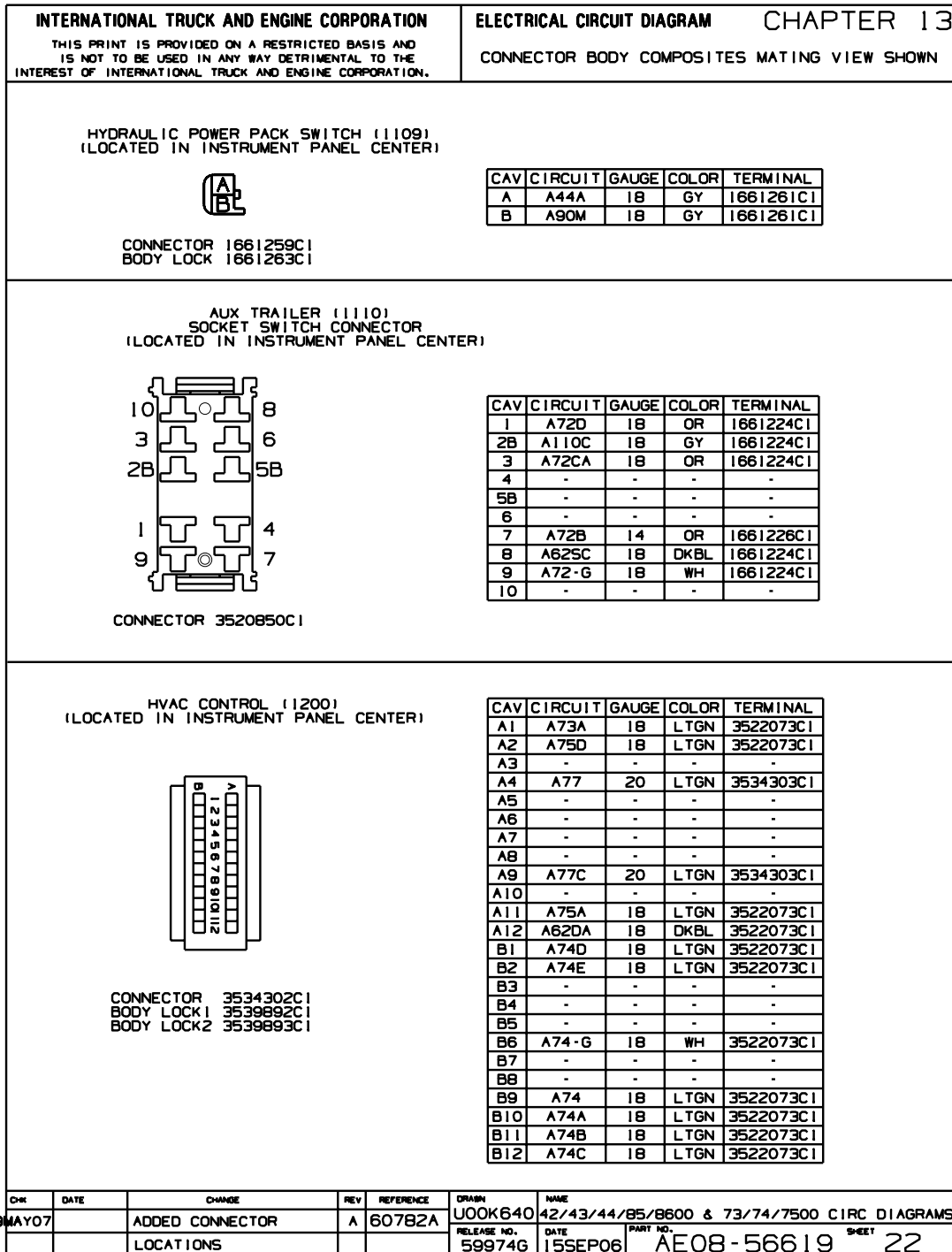


Figure 235 Connector Composites (1109), (1110), (1200)

13.24. CONNECTOR COMPOSITES (1210), (1227), (1227M), (1228), P. 23

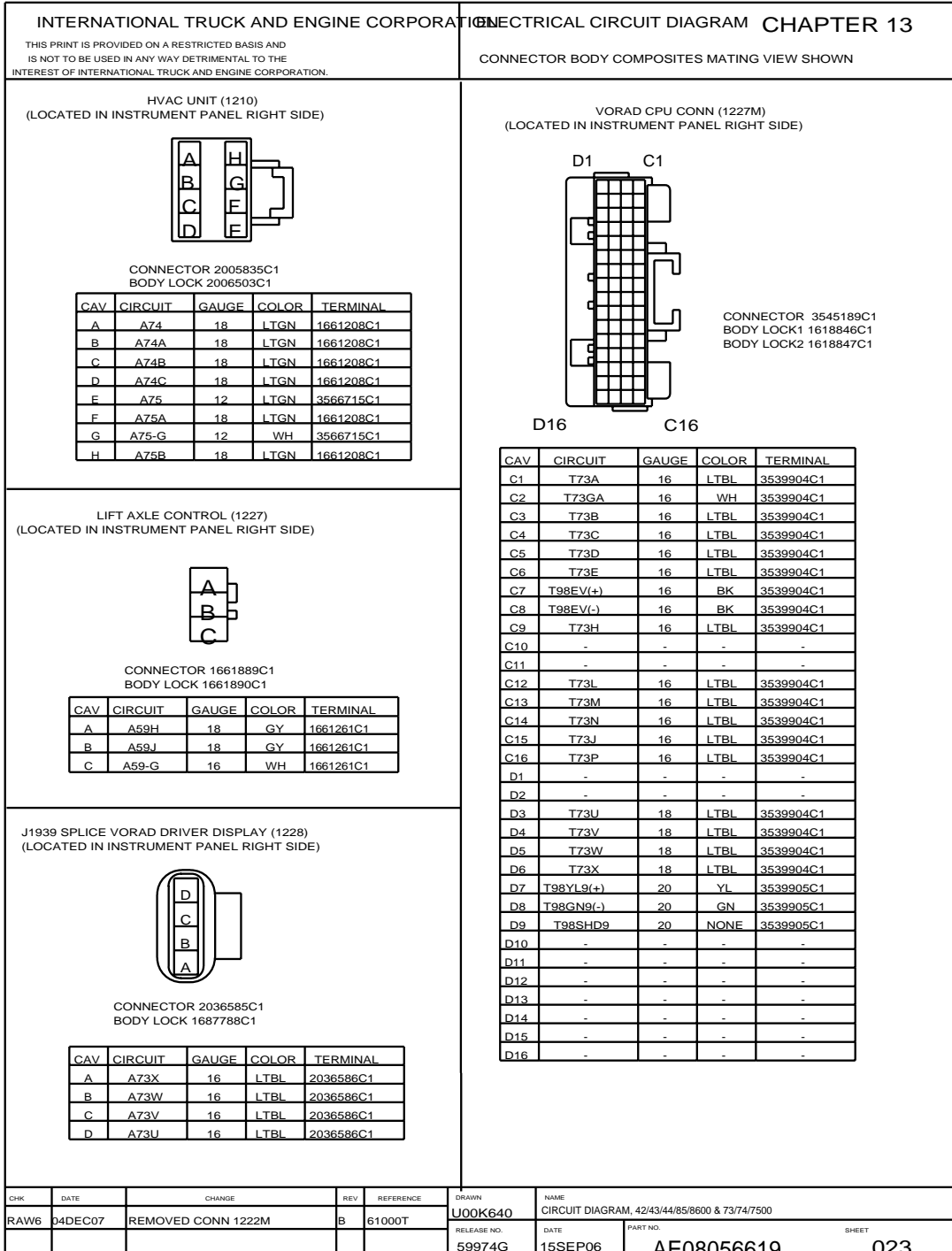


Figure 236 Connector Composites (1210), (1227), (1227M), (1228)

13.25. CONNECTOR COMPOSITES (1229), (1230F), (1231), (1240F), P. 24

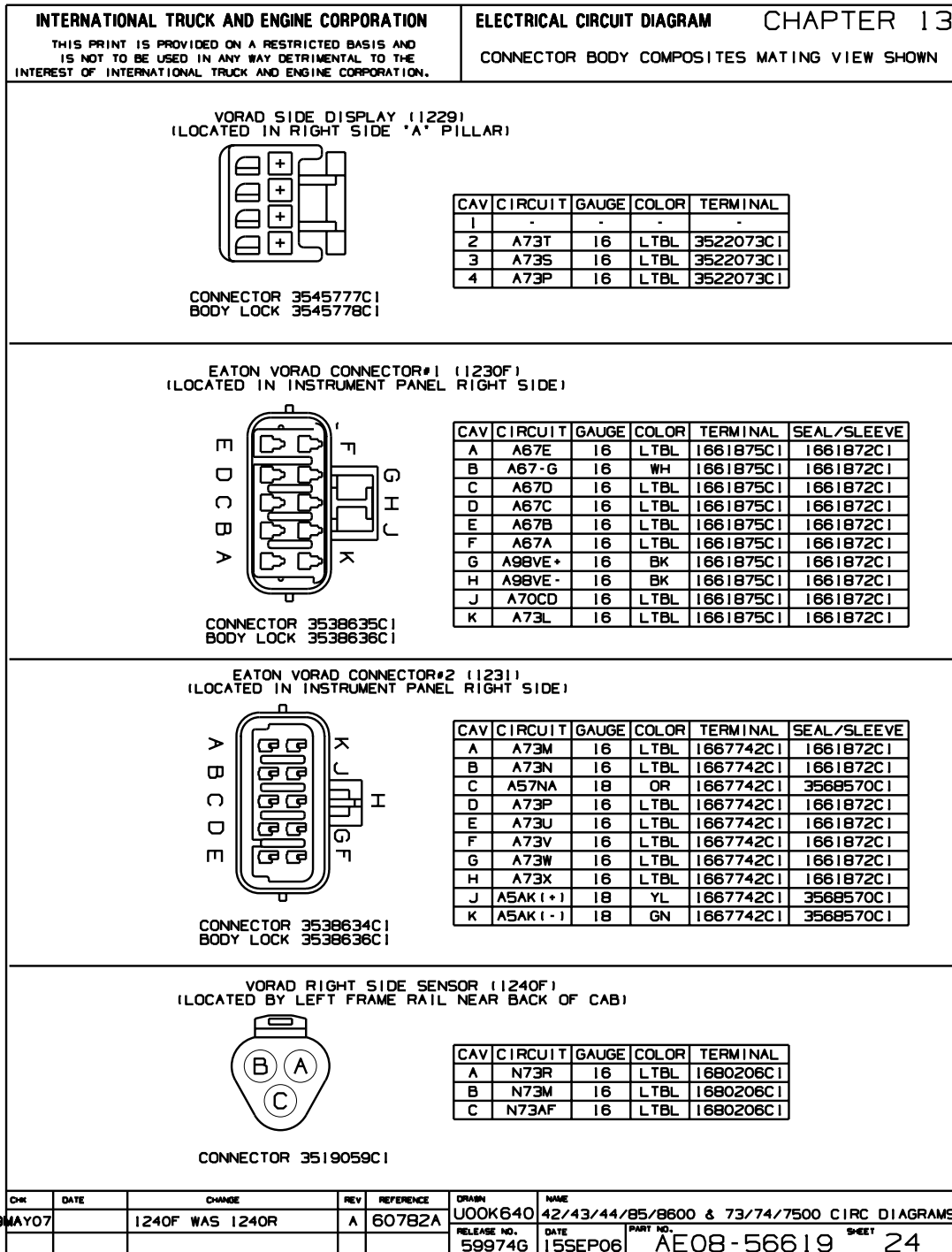


Figure 237 Connector Composites (1229), (1230F), (1231), (1240F)

13.26. CONNECTOR COMPOSITES (1242), (1243), (1300), (1301), (1338), P. 25

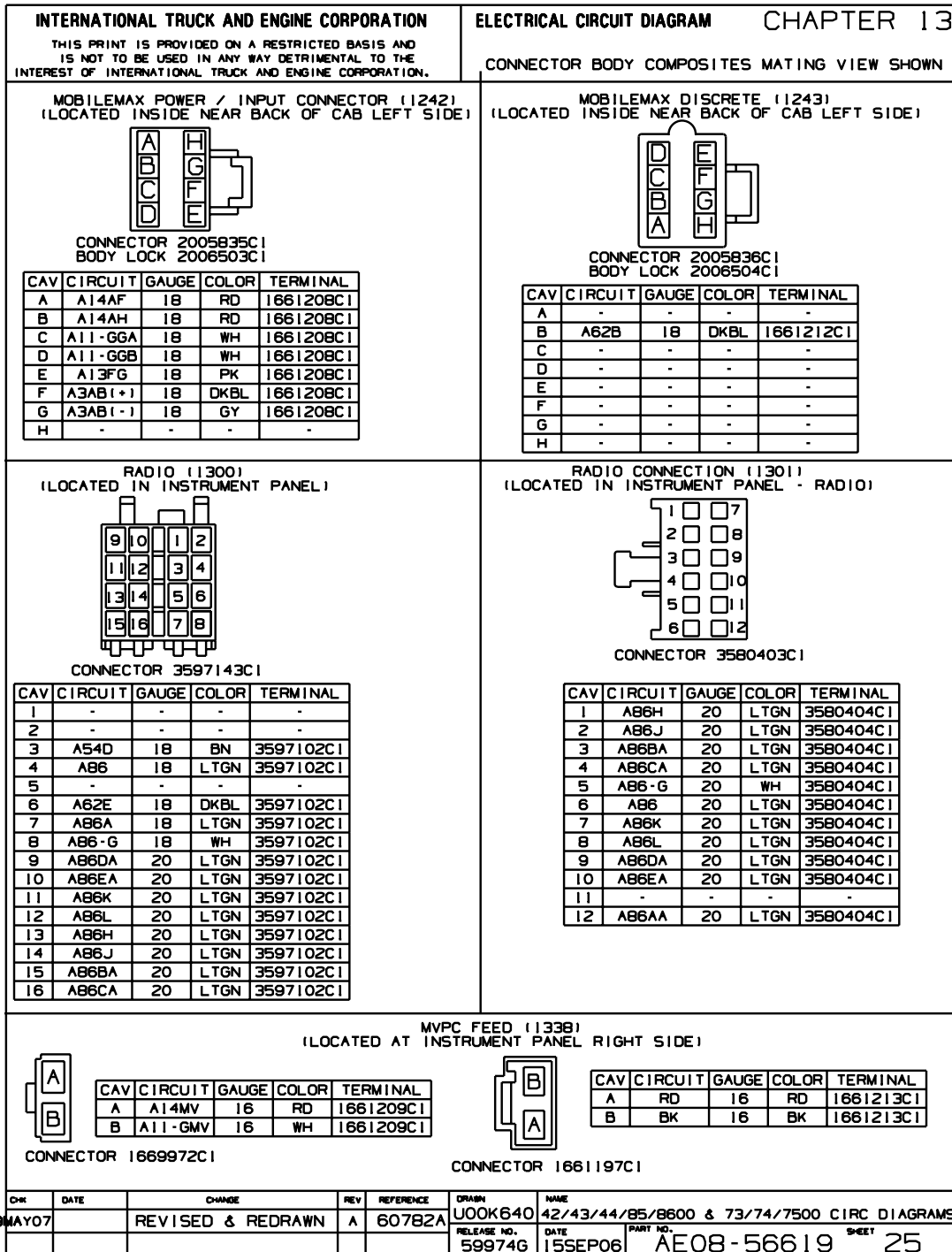


Figure 238 Connector Composites (1242), (1243), (1300), (1301), (1338)

13.27. CONNECTOR COMPOSITES (1378), (1400), (1401), (1402), P. 26

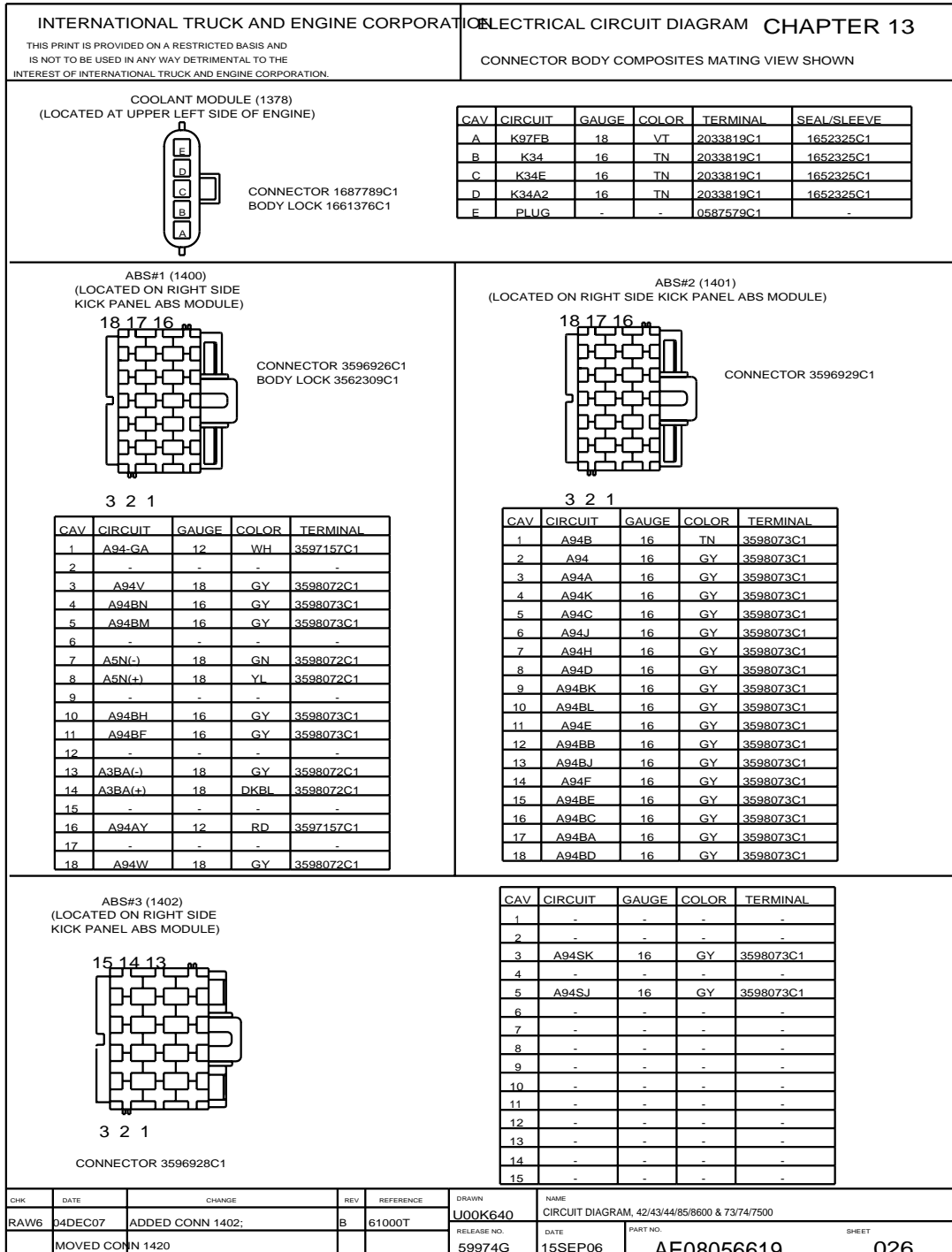


Figure 239 Connector Composites (1378), (1400), (1401), (1402)

13.28. CONNECTOR COMPOSITES (1403), (1410), P. 26A

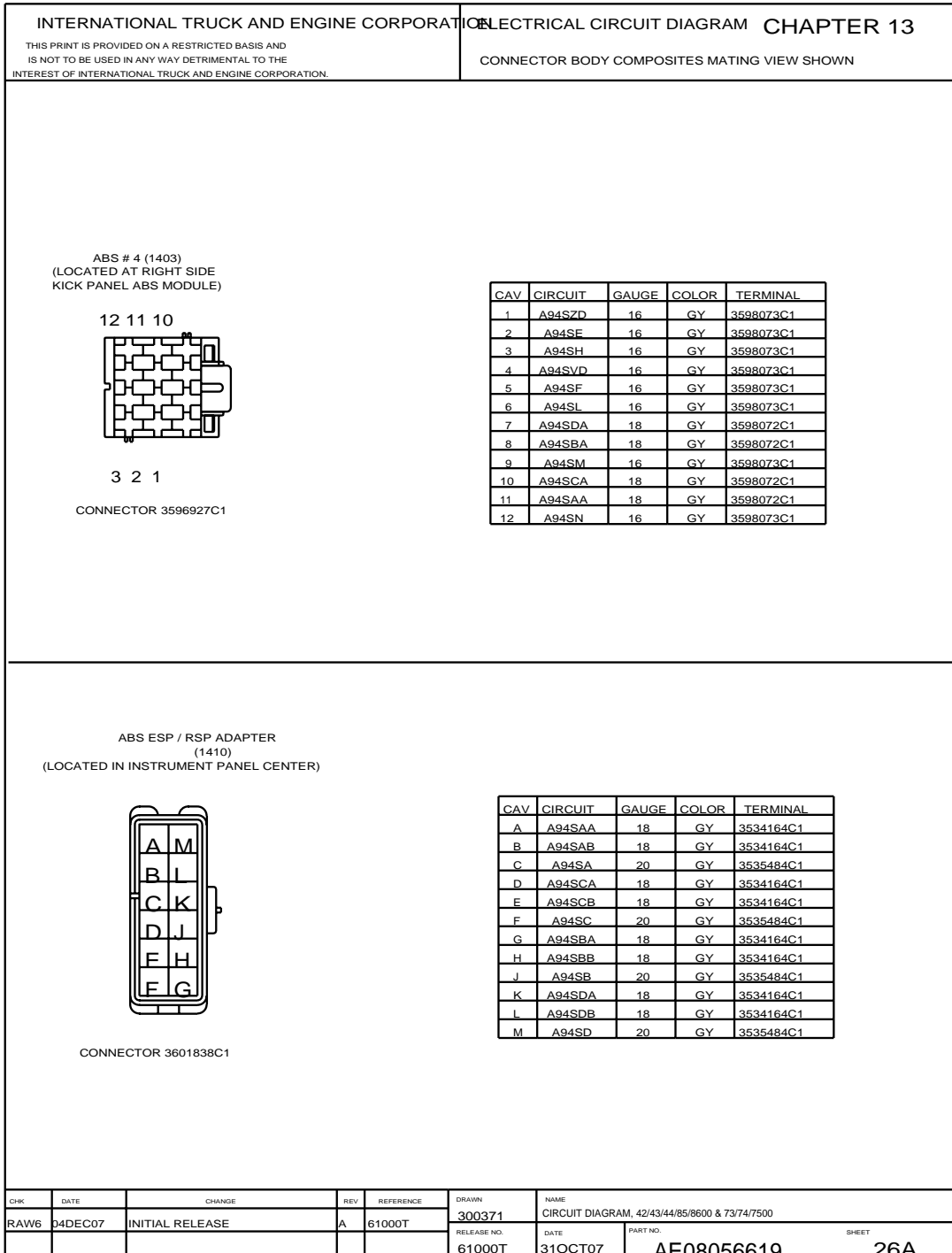


Figure 240 Connector Composites (1403), (1410)

13.29. CONNECTOR COMPOSITES (1420), (1421), (1500), P. 27

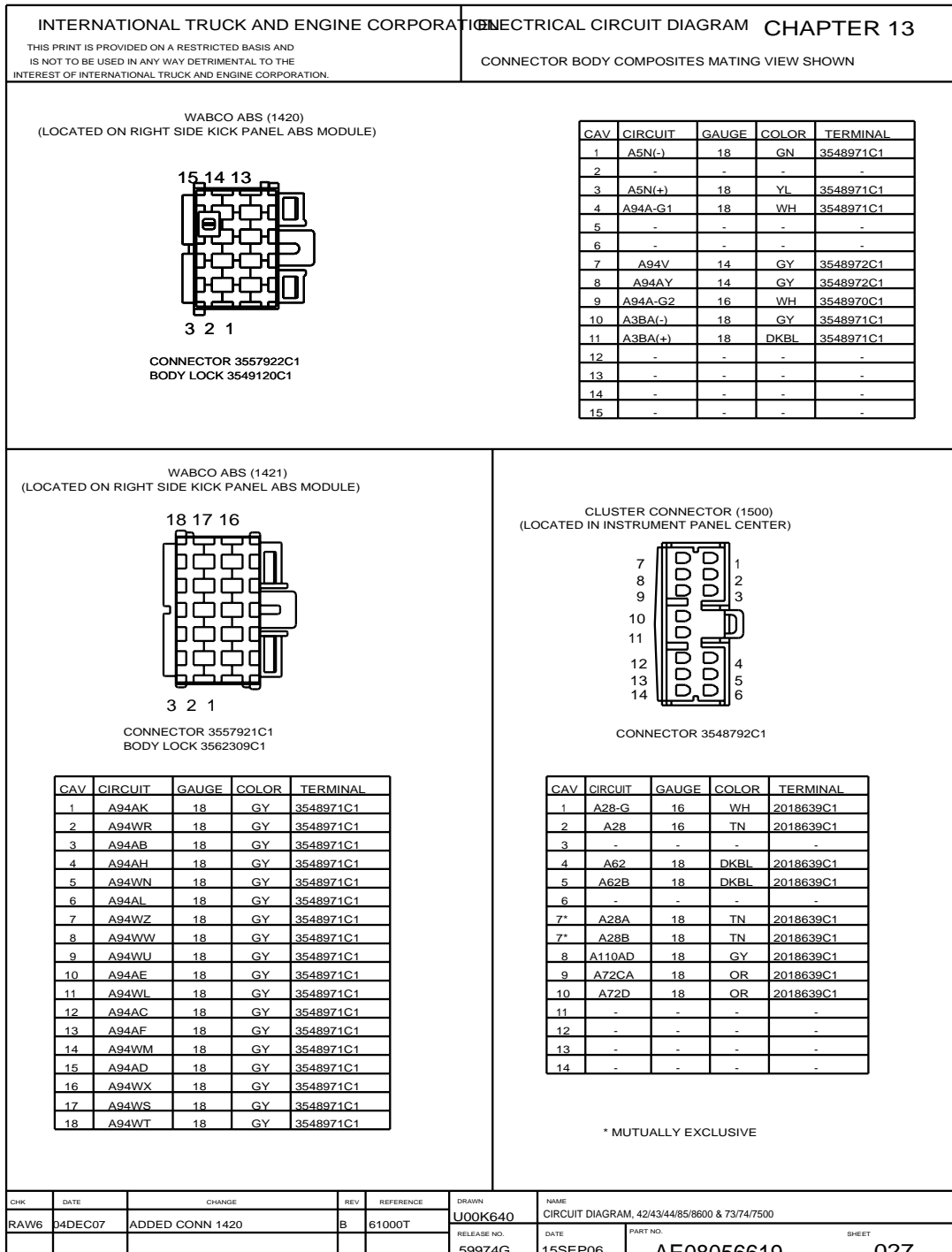


Figure 241 Connector Composites (1420), (1421), (1500)

13.30. CONNECTOR COMPOSITES (1501), (1510), (1511), (1512), P. 28

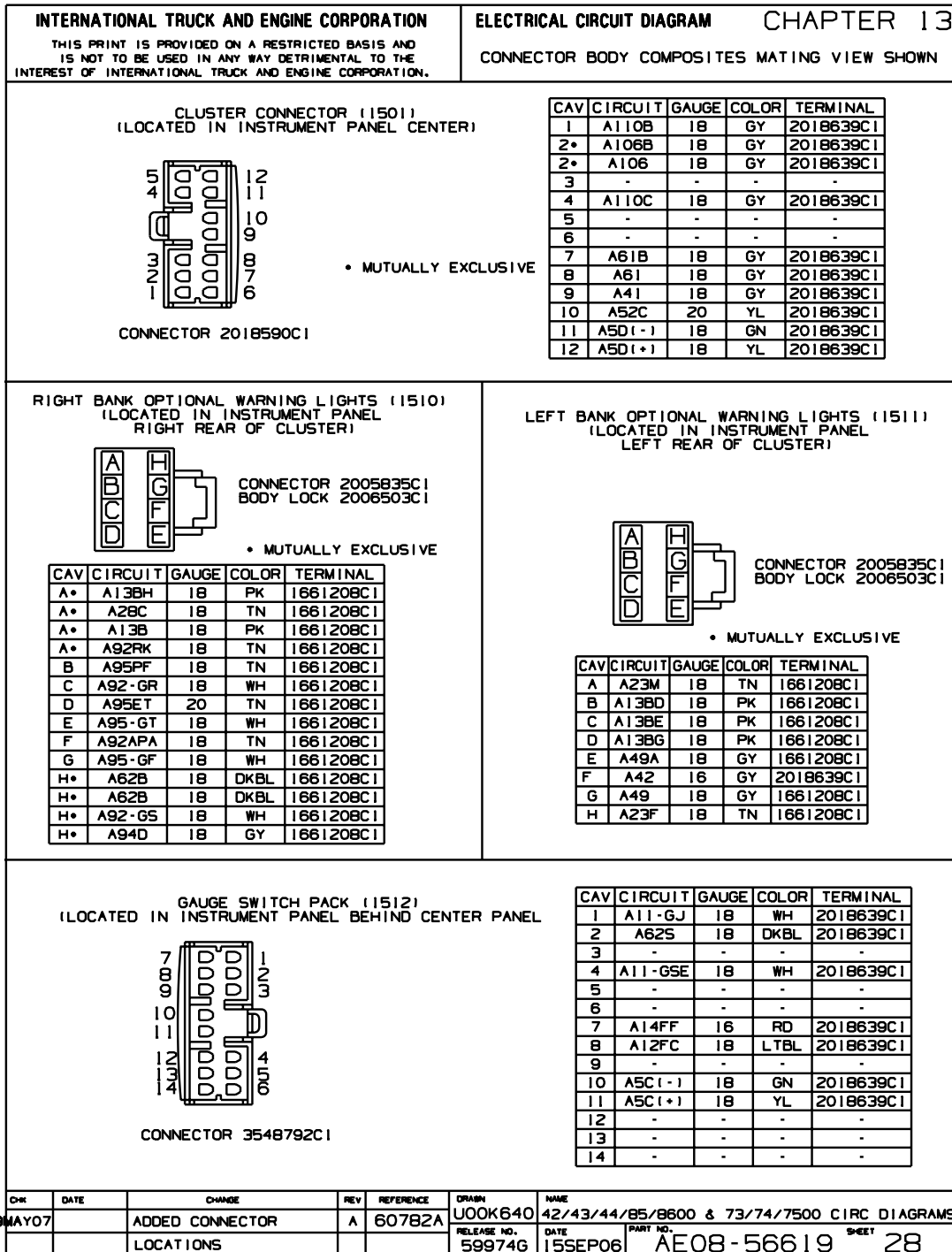


Figure 242 Connector Composites (1501), (1510), (1511), (1512)

13.31. CONNECTOR COMPOSITES (1556), (1557), (1558), (1600), P. 29

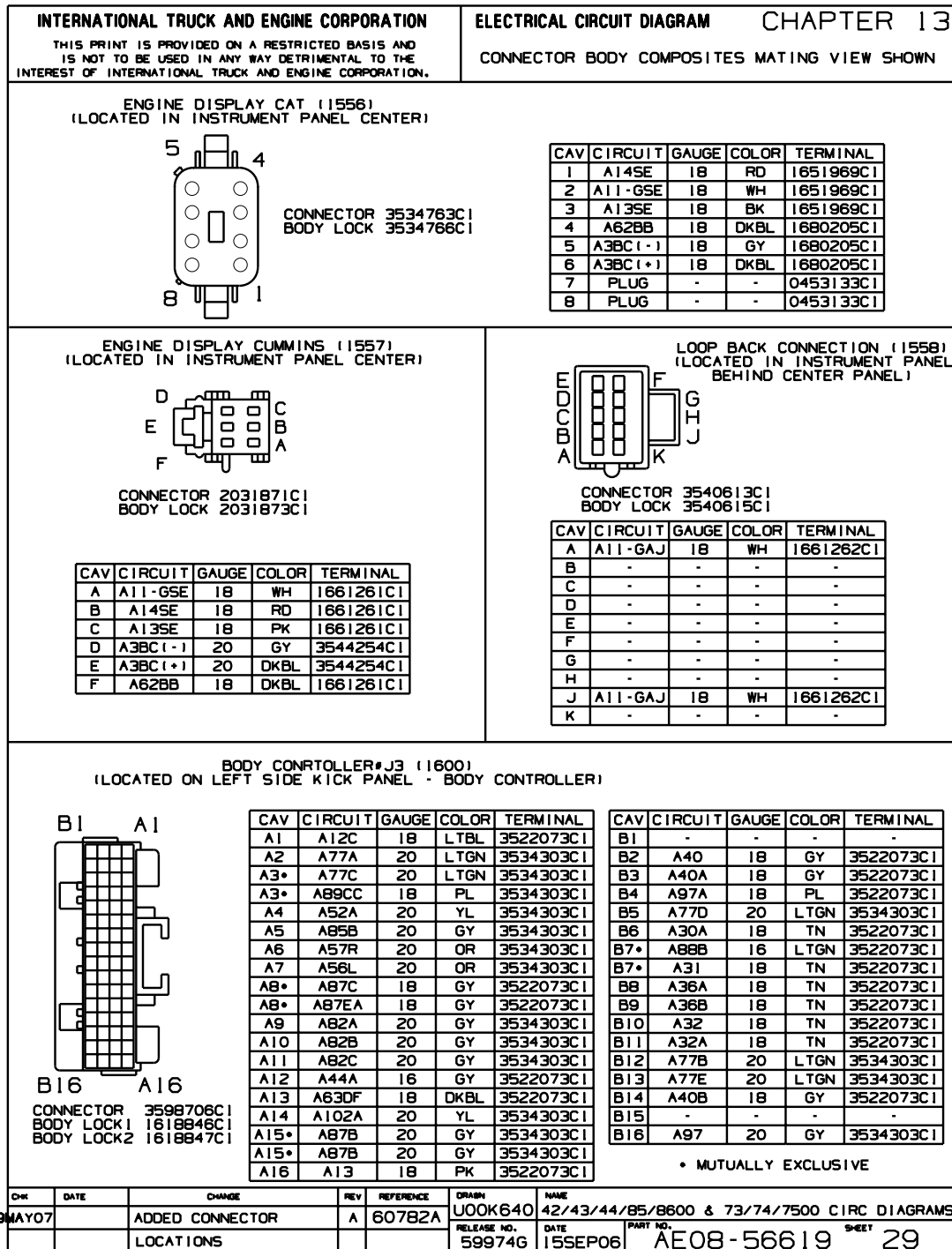


Figure 243 Connector Composites (1556), (1557), (1558), (1600)

13.32. CONNECTOR COMPOSITE (1601), P. 30

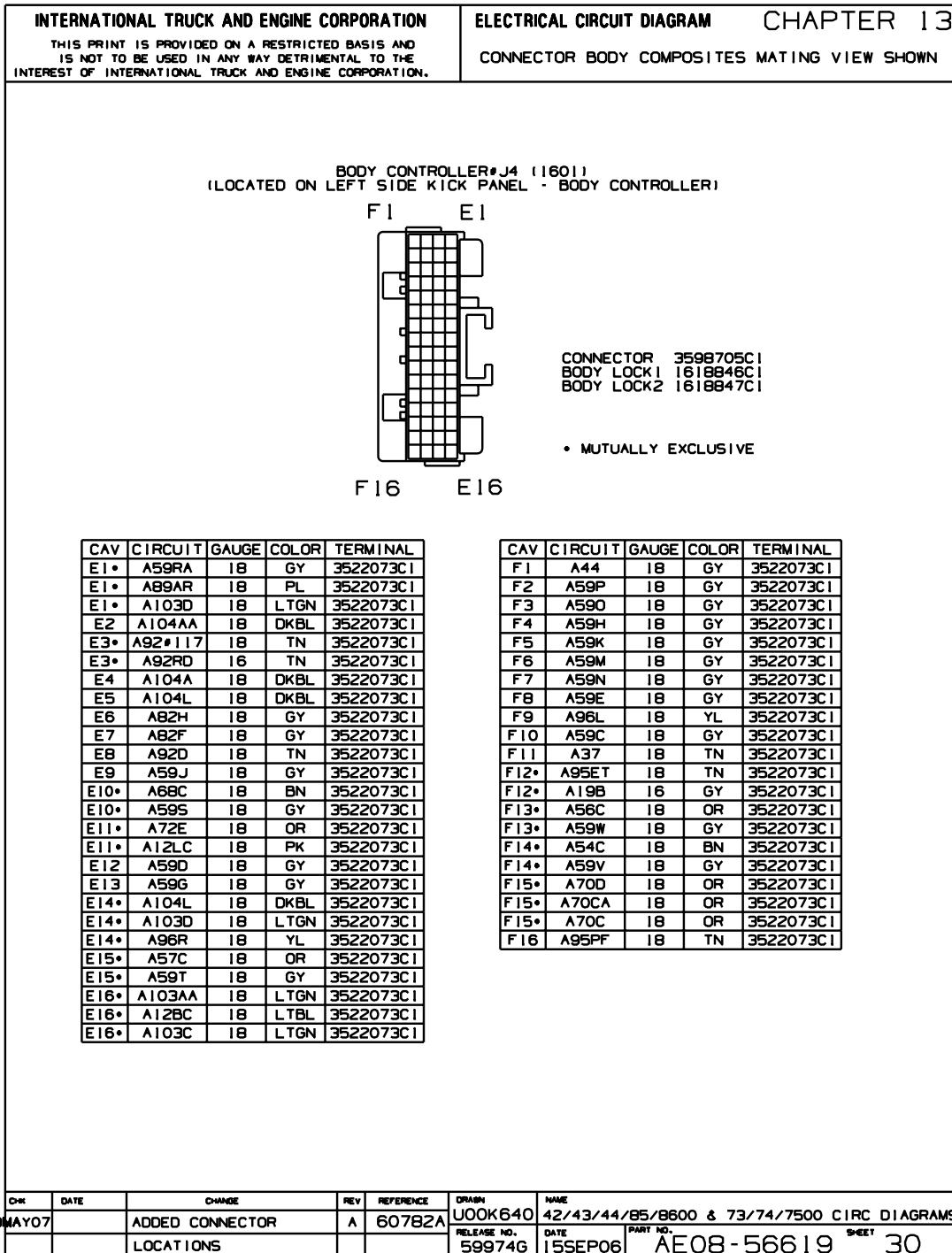


Figure 244 Connector Composite (1601)

13.33. CONNECTOR COMPOSITE (1602), P. 31

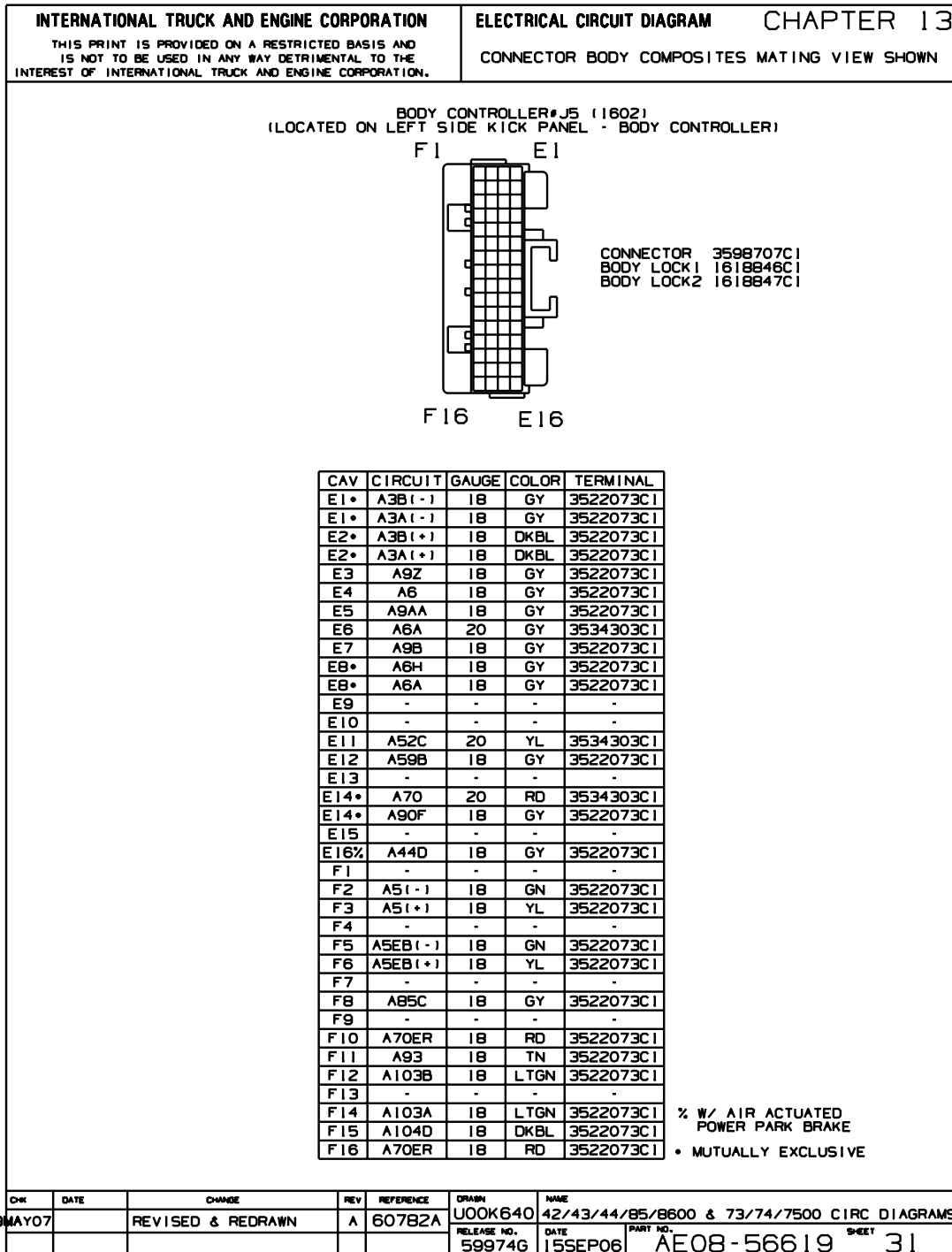


Figure 245 Connector Composite (1602)

13.34. CONNECTOR COMPOSITES (1603), (1604), (1620), (1623), P. 32

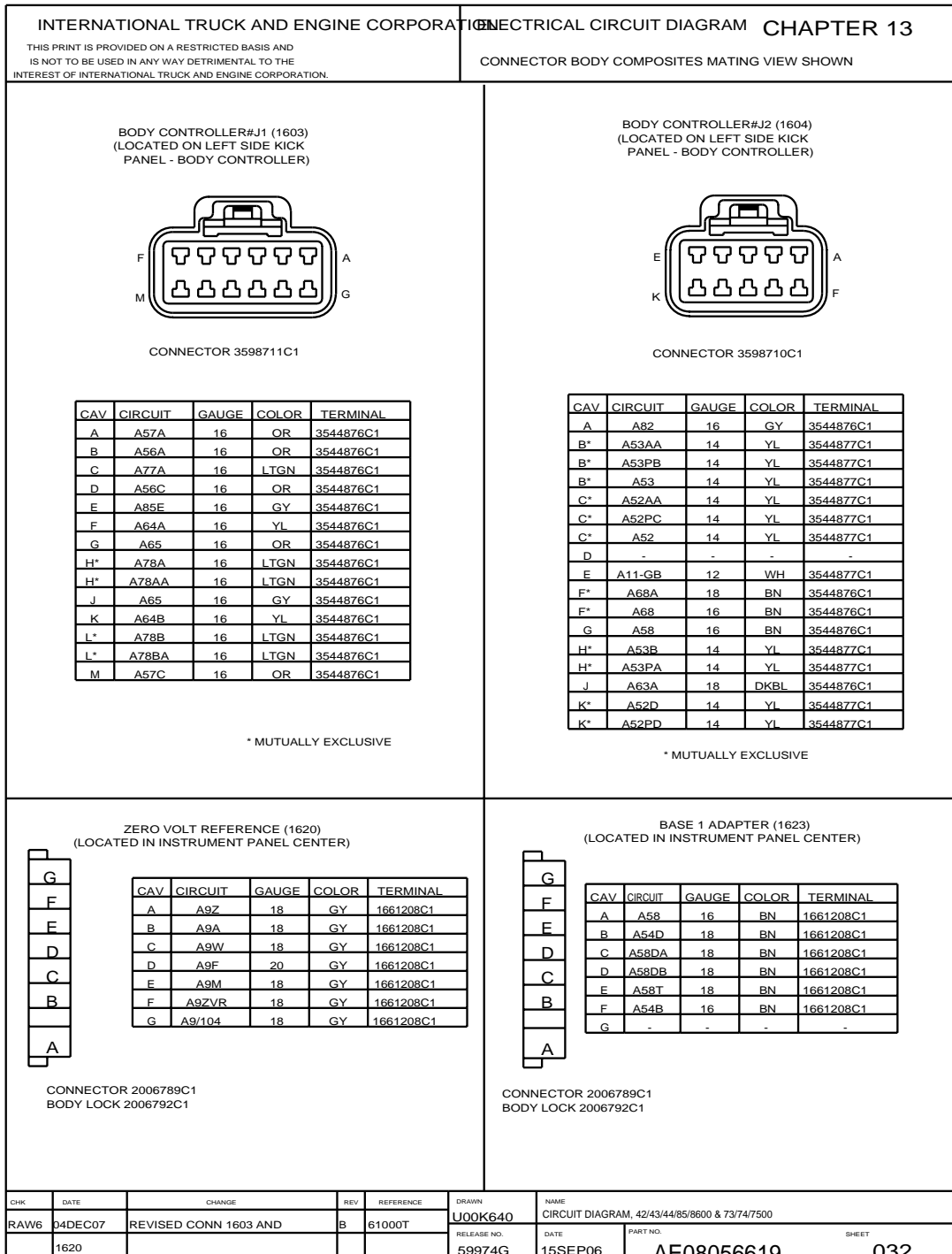


Figure 246 Connector Composites (1603), (1604), (1620), (1623)

13.35. CONNECTOR COMPOSITES (1625), (1626), (1650), (1657), P. 33

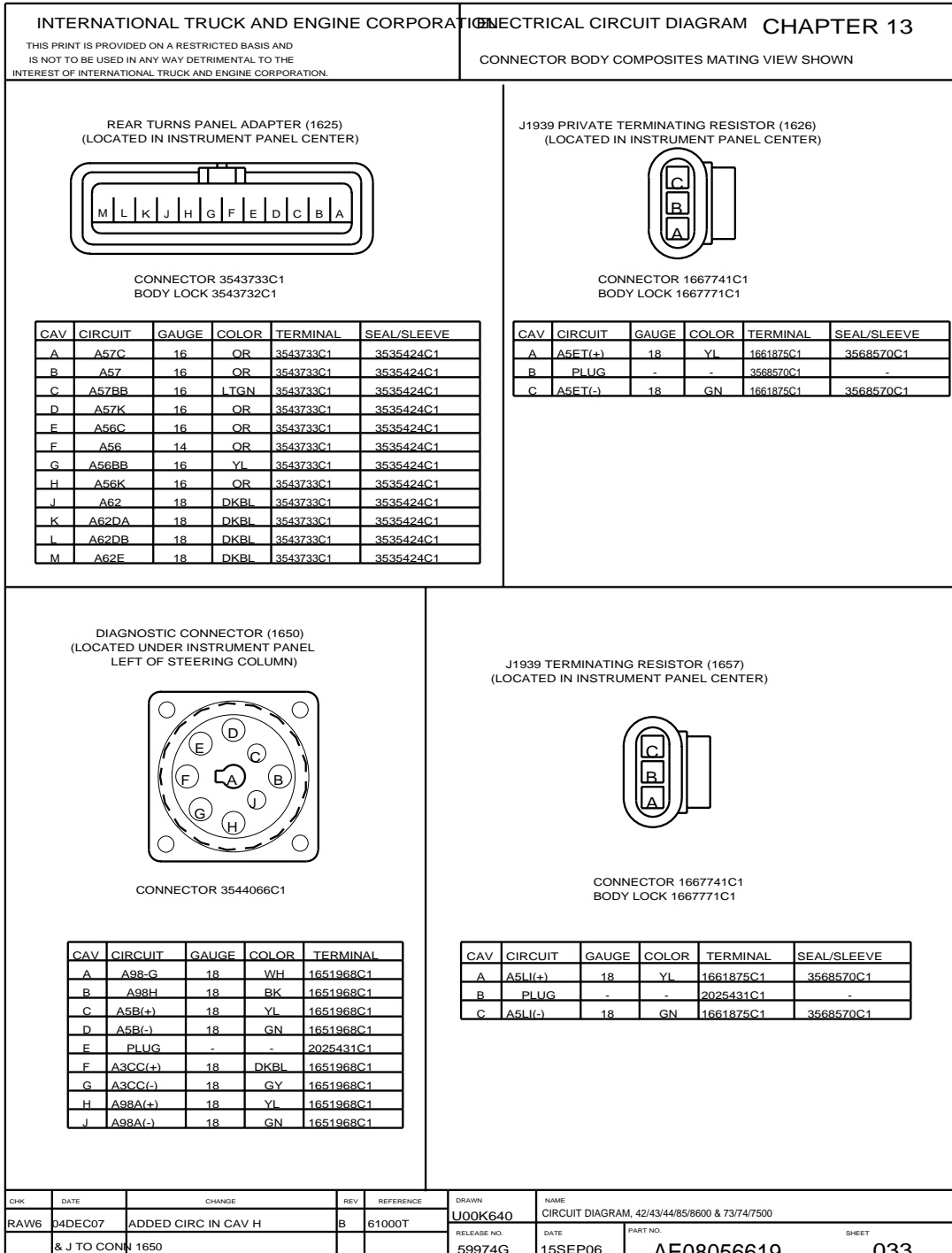


Figure 247 Connector Composites (1625), (1626), (1650), (1657)

13.36. CONNECTOR COMPOSITES (1660), (1661), P. 34

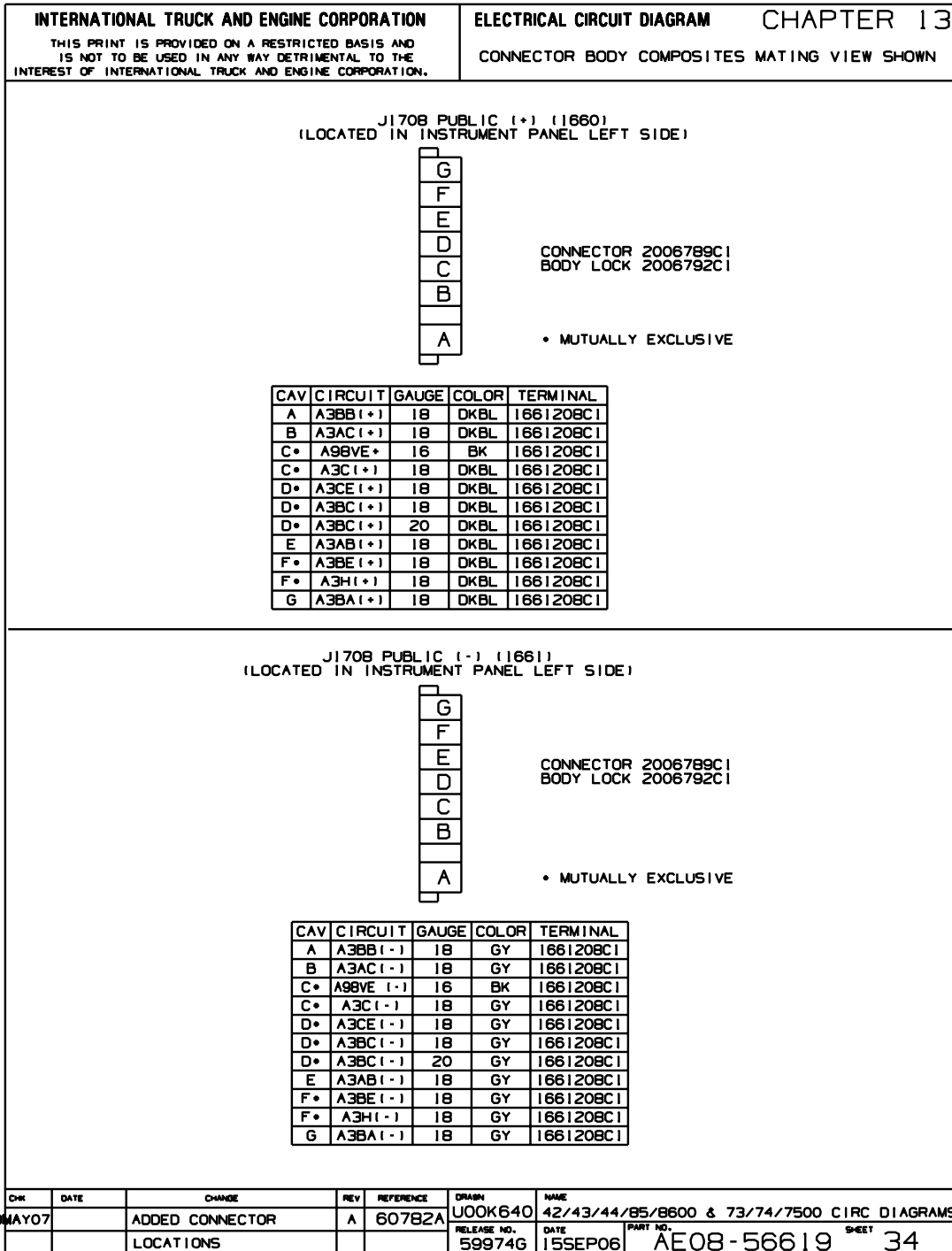
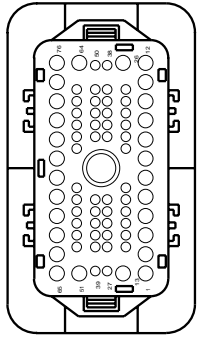


Figure 248 Connector Composites (1660), (1661)

13.37. CONNECTOR COMPOSITE (1700), P. 35

INTERNATIONAL TRUCK AND ENGINE CORPORATION					ELECTRICAL CIRCUIT DIAGRAM CHAPTER 13				
THIS PRINT IS PROVIDED ON A RESTRICTED BASIS AND IS NOT TO BE USED IN ANY WAY DETRIMENTAL TO THE INTEREST OF INTERNATIONAL TRUCK AND ENGINE CORPORATION.					CONNECTOR BODY COMPOSITES MATING VIEW SHOWN				

FORWARD CHASSIS (1700)
/ DASH CONNECTOR
(LOCATED ON DASH PANEL
LEFT SIDE UPPER)



CONNECTOR 3595624C1

* W/ BENDIX AIR ABS
 ** W/ WABCO AIR ABS
 # W/ WABCO HYD ABS
 @ MUTUALLY EXCLUSIVE
 ## W/ AUTO APPLY PARK BRAKES
 & W/ COMPRESSOR / TANK FOR HYD CHASSIS
 % W/ WHEELCHAIR LIFT INTERLOCK OR W/ PARK BRAKE INTERLOCK

CAV	CIRCUIT	GAUGE	COLOR	TERMINAL	CAV	CIRCUIT	GAUGE	COLOR	TERMINAL
1	M52	14	YL	3549416C1	33#	M90B	18	GY	3549418C1
2	M53	14	YL	3549416C1	34**	M94AK	14	BN	3549417C1
3	M52D	14	YL	3549416C1	34*	M94H	18	GY	3549418C1
4	M53B	14	YL	3549416C1	34#	M94BF	18	GY	3549418C1
5	M54B	14	BN	3549416C1	35**	M94AJ	14	GN	3549417C1
6	M19A	16	GY	3549416C1	35*	M94J	18	GY	3549418C1
7	M19B	16	GY	3549416C1	35#	M94R+	18	BK	3549418C1
8	M53E	14	YL	3549416C1	36**	M94AH	14	BL	3549417C1
9	M53F	14	YL	3549416C1	36*	M94K	18	GY	3549418C1
10	M52B	14	YL	3549416C1	36#	M94R-	18	BN	3549418C1
11	M52E	14	YL	3549416C1	37	M67A	16	VT	3549417C1
12@	M103C	12	LTGN	3549415C1	38#	M10-GV	16	WH	3549417C1
12@	M14LP	10	RD	3549415C1	38&	M67B	16	VT	3549417C1
12@	M14WB	12	RD	3549415C1	39	M73R	16	LTGN	3549417C1
13@	M12BD	12	LTBL	3549415C1	40	M73M	16	LTGN	3549417C1
13@	M103D	12	LTGN	3549415C1	41	M73AF	16	LTGN	3549417C1
14	M56B	16	OR	3549417C1	42	M94SBB	16	GY	3549417C1
15	M57B	16	OR	3549417C1	43	M104CC	18	DKBL	3549418C1
16	M41	18	GY	3549418C1	44	M104CB	18	DKBL	3549418C1
17	M87C	18	GY	3549418C1	45	M89CE	18	PL	3549418C1
18	M9BB	18	GY	3549418C1	46	M89AR	18	PK	3549418C1
19@	M87KA	16	GY	3549417C1	47%	M44Y	16	GY	3549416C1
19#@	M61	18	GY	3549418C1	47##	M44J	18	GY	3549418C1
20@	M87BA	18	GY	3549418C1	48	M92#103	18	TN	3549418C1
20#@	M106A	18	GY	3549418C1	49	M92#101	18	TN	3549418C1
21	M85E	16	GY	3549417C1	50	M94SAB	16	GY	3549417C1
22	M64A	16	YL	3549417C1	51	M94SDB	16	GY	3549416C1
23	M64B	16	YL	3549417C1	52	M6VDC	18	GY	3549418C1
24	M67C	16	VT	3549417C1	53	M9VA	18	GY	3549418C1
25	M110AD	18	GY	3549418C1	54	MA1	18	GY	3549418C1
26	M67D	16	VT	3549416C1	55	MA2	18	GY	3549418C1
27&	M9A	18	GY	3549418C1	56	MA3	18	GY	3549418C1
27*	M94	18	GY	3549418C1	57	MA4	18	GY	3549418C1
27**	M94AB	14	BN	3549417C1	58	MA5	18	GY	3549418C1
28*	M94A	18	GY	3549418C1	59	M11-GM	18	GY	3549418C1
28**	M94AA	14	GN	3549417C1	60	M94SCB	16	GY	3549417C1
28&	M6A	18	GY	3549418C1	61	M44L	18	GY	3549418C1
29*	M94B	18	GY	3549418C1	62	PLUG	-	-	3598921C1
29**	M94AL	14	BL	3549417C1	63&%	M78BC	16	LTGN	3549417C1
29&	M40	18	GY	3549418C1	63%	M78BC	16	LTGN	3549416C1
30#	M94L+	18	BK	3549418C1	64	M78AC	16	LTGN	3549416C1
30*	M94C	18	GY	3549418C1	65	PLUG	-	-	3598921C1
30**	M94AC	18	BN	3549418C1	66	PLUG	-	-	3598921C1
31*	M94D	18	GY	3549418C1	67	PLUG	-	-	3598921C1
31**	M94AD	18	BK	3549418C1	68	PLUG	-	-	3598921C1
31#	M94L-	18	BN	3549418C1	69	M94SJ	16	GY	3549416C1
32*	M94E	18	GY	3549418C1	70	M94SK	16	GY	3549416C1
32**	M94AE	18	BN	3549418C1	71	M94SM	16	GY	3549416C1
32#	M90H	16	GY	3549417C1	72	M94SN	16	GY	3549416C1
33**	M94AF	18	BK	3549418C1	73	M94SL	16	GY	3549416C1
					74	M94SZC	16	GY	3549416C1
					75	M94SVC	16	GY	3549416C1
					76	M94SH	16	GY	3549416C1

CHK	DATE	CHANGE	REV	REFERENCE	DRAWN	NAME
RAW6	04DEC07	REVISED AND REDRAWN	B	61000T	U00K640	CIRCUIT DIAGRAM, 42/43/44/85/8600 & 73/74/7500
					RELEASE NO.	DATE
					59974G	15SEP06
						PART NO.
						AE08056619
						SHEET
						035

Figure 249 Connector Composite (1700)

13.38. CONNECTOR COMPOSITE (1700), P. 36

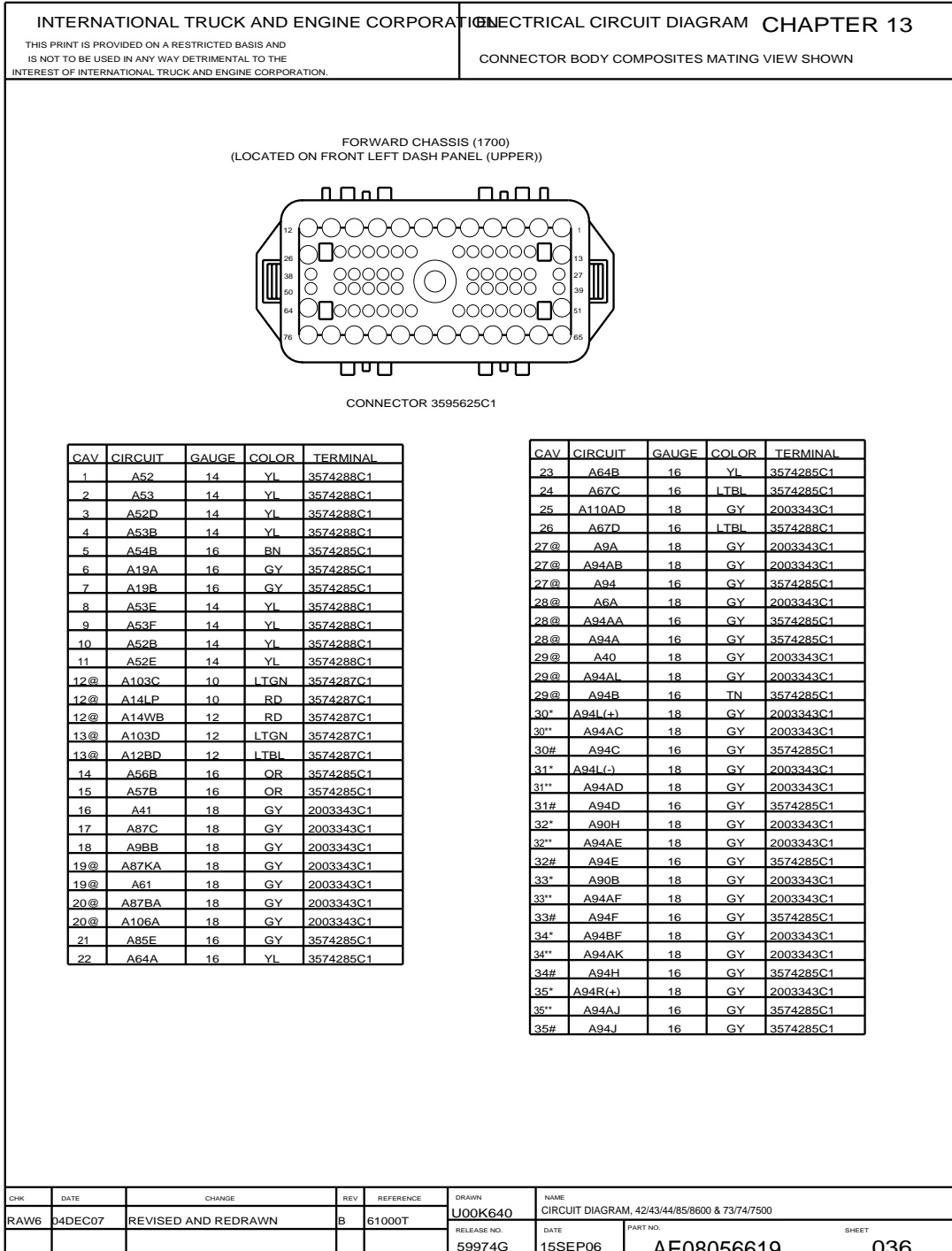


Figure 250 Connector Composite (1700)

13.39. CONNECTOR COMPOSITE (1700), P. 37

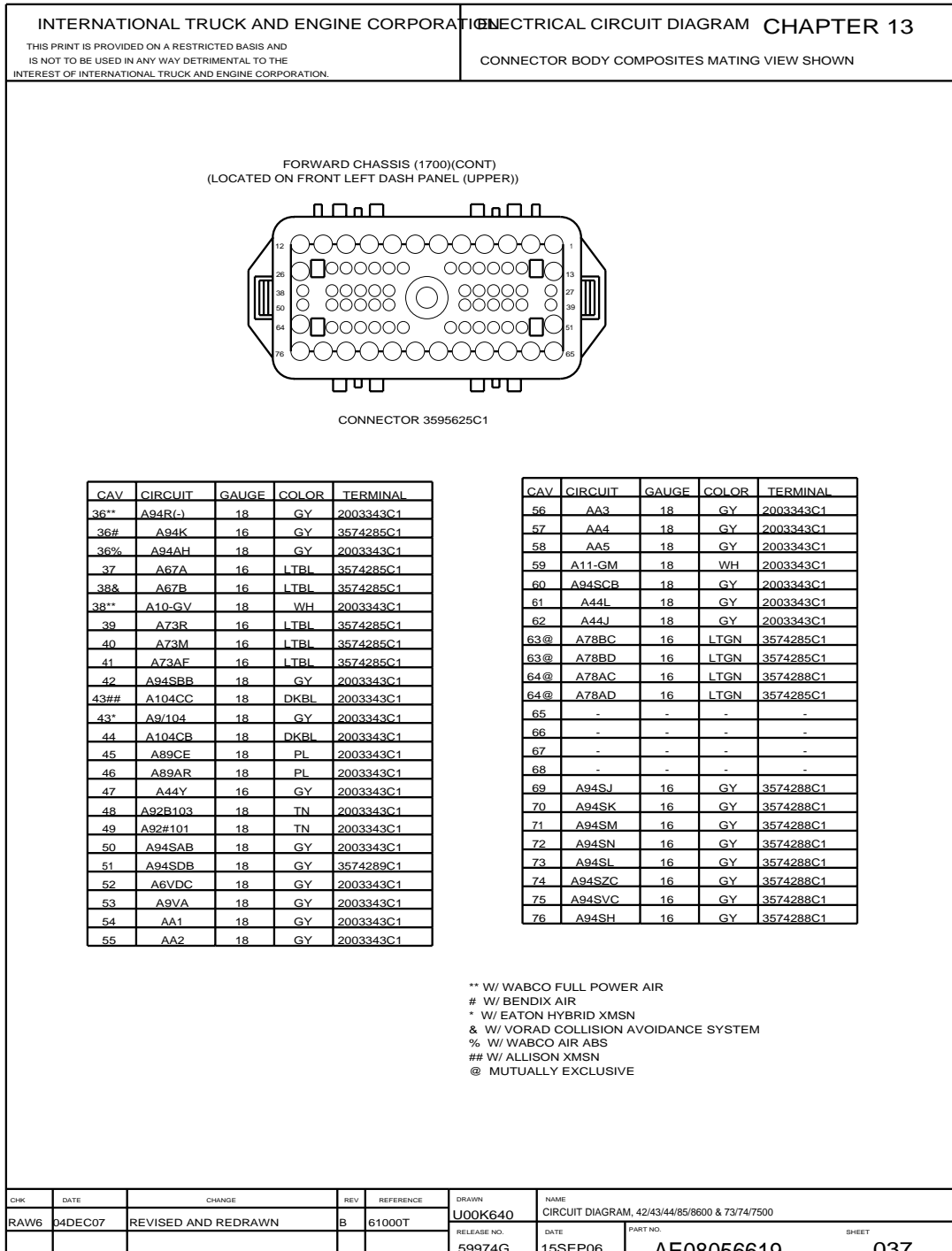


Figure 251 Connector Composite (1700)

13.40. CONNECTOR COMPOSITE (1701), P. 38

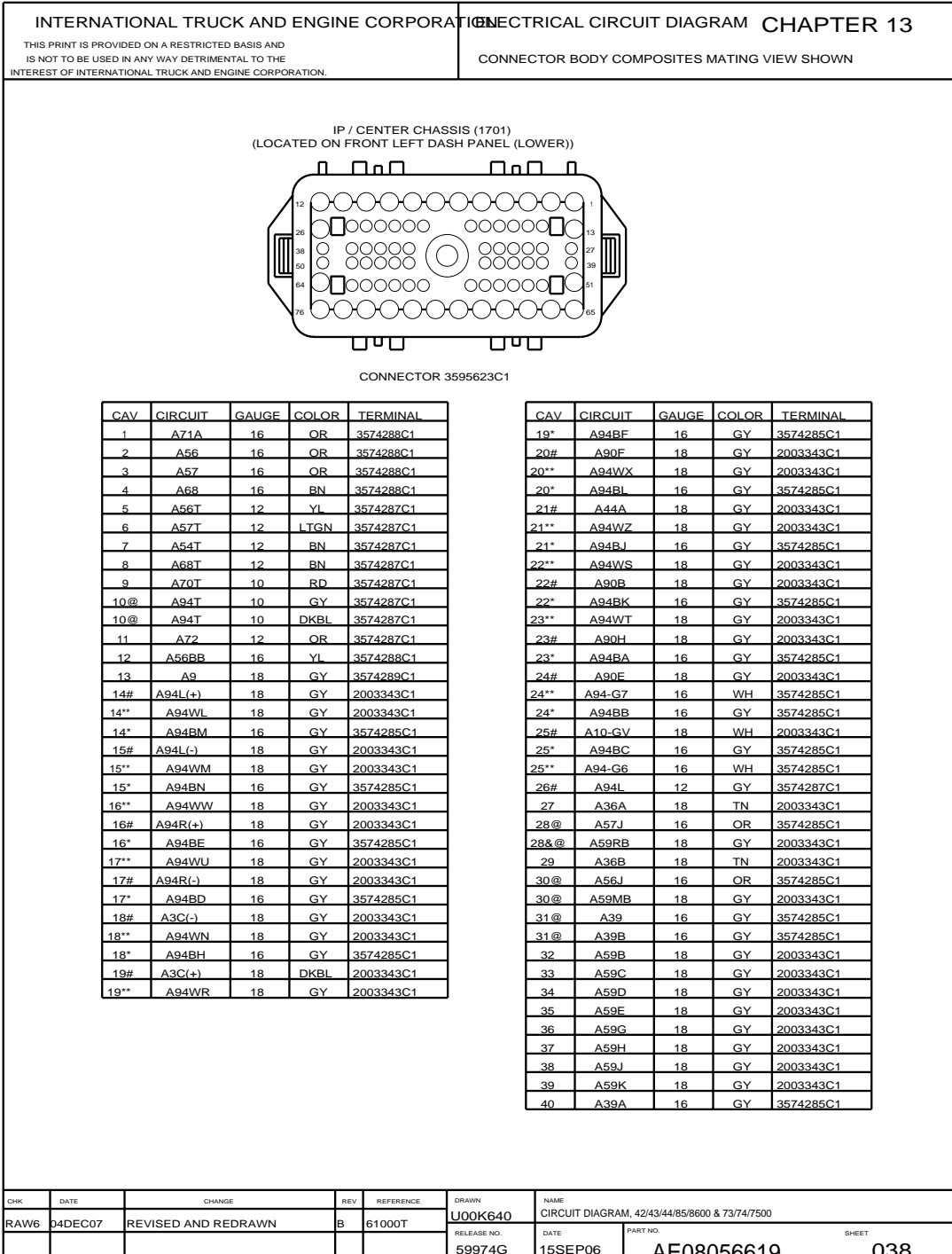


Figure 252 Connector Composite (1701)

13.41. CONNECTOR COMPOSITE (1701), P. 39

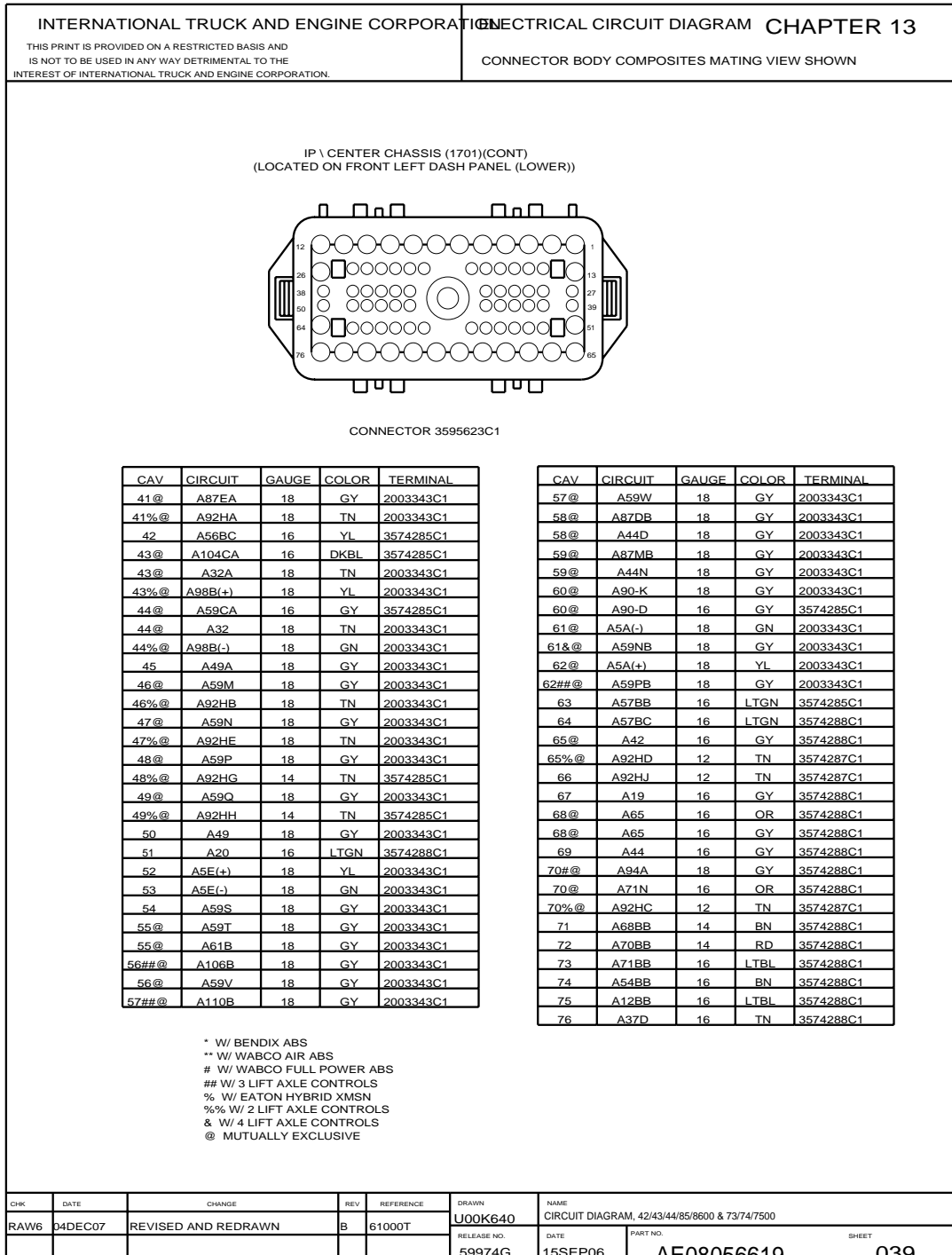


Figure 253 Connector Composite (1701)

13.42. CONNECTOR COMPOSITE (1701), P. 40

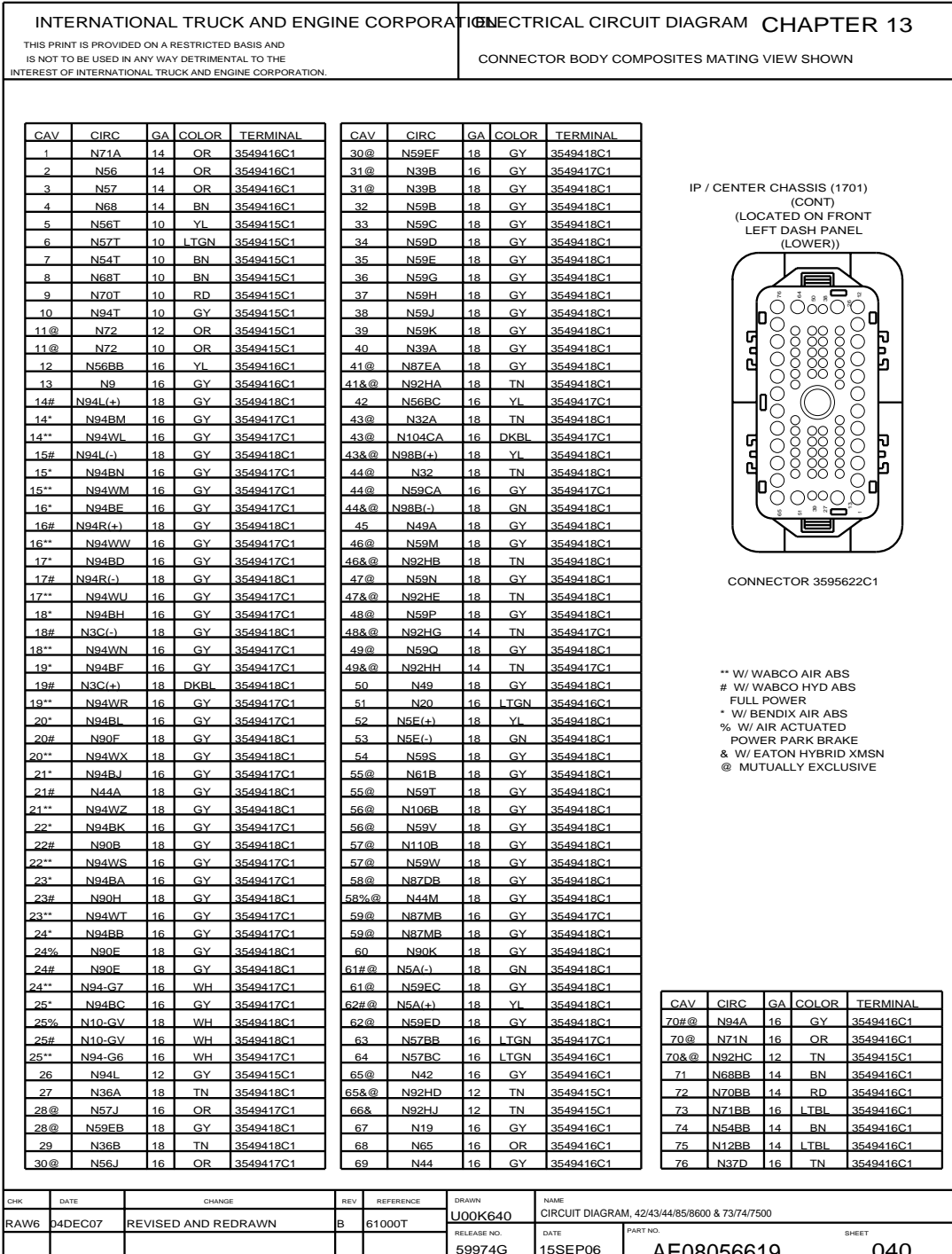


Figure 254 Connector Composite (1701)

13.43. CONNECTOR COMPOSITE (1702), P. 41

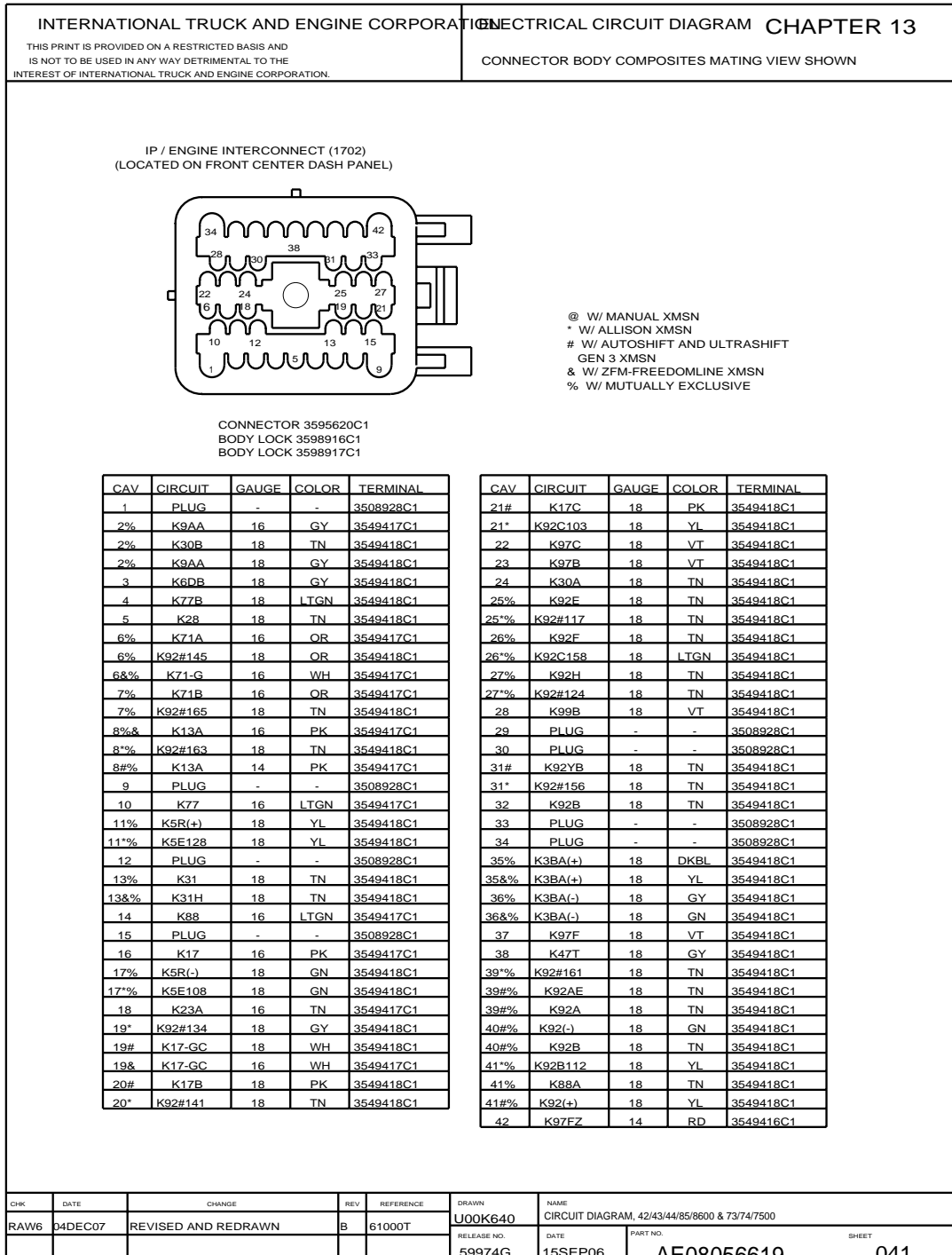


Figure 255 Connector Composite (1702)

13.44. CONNECTOR COMPOSITE (1702), P. 42

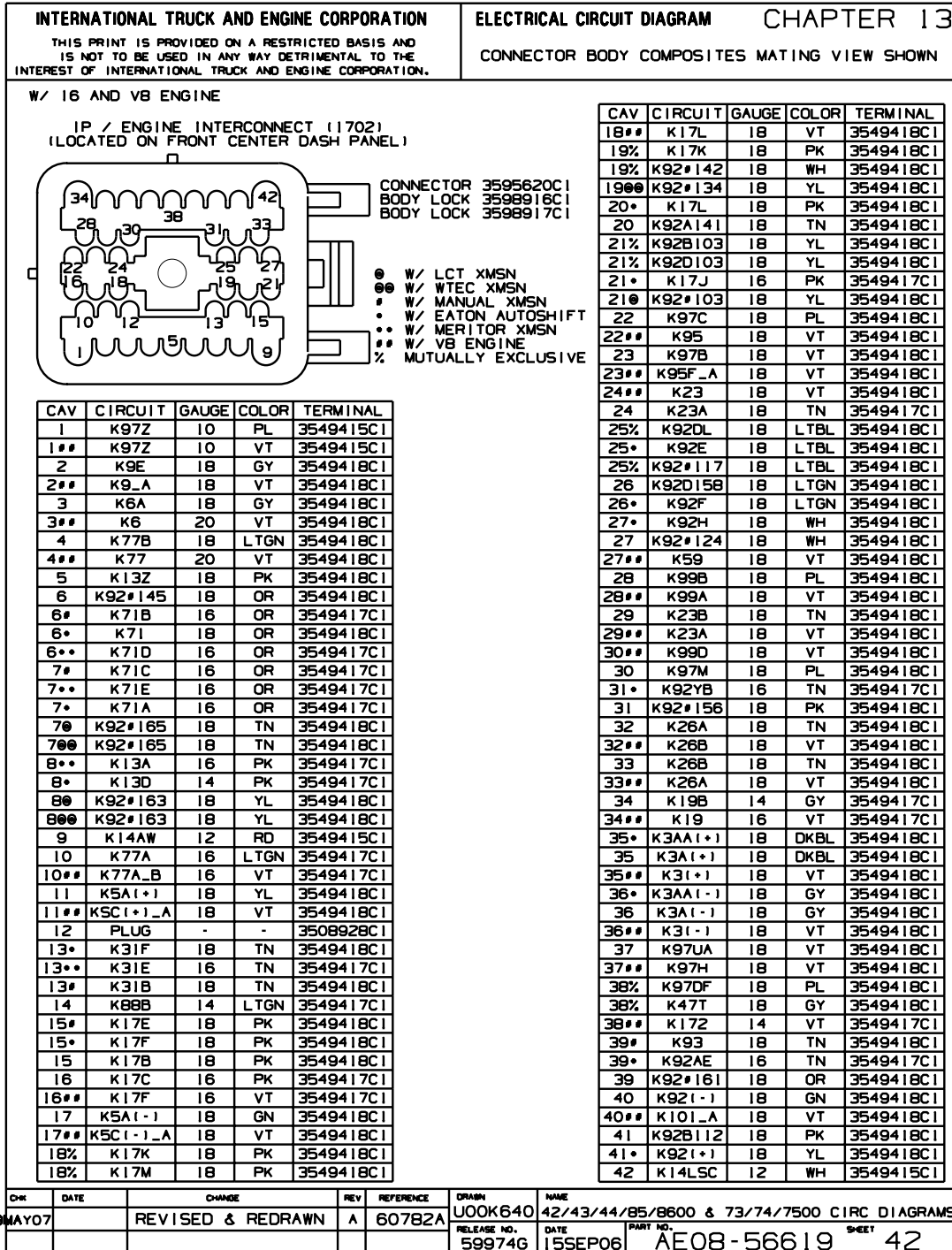


Figure 256 Connector Composite (1702)

13.45. CONNECTOR COMPOSITE (1702), P. 43

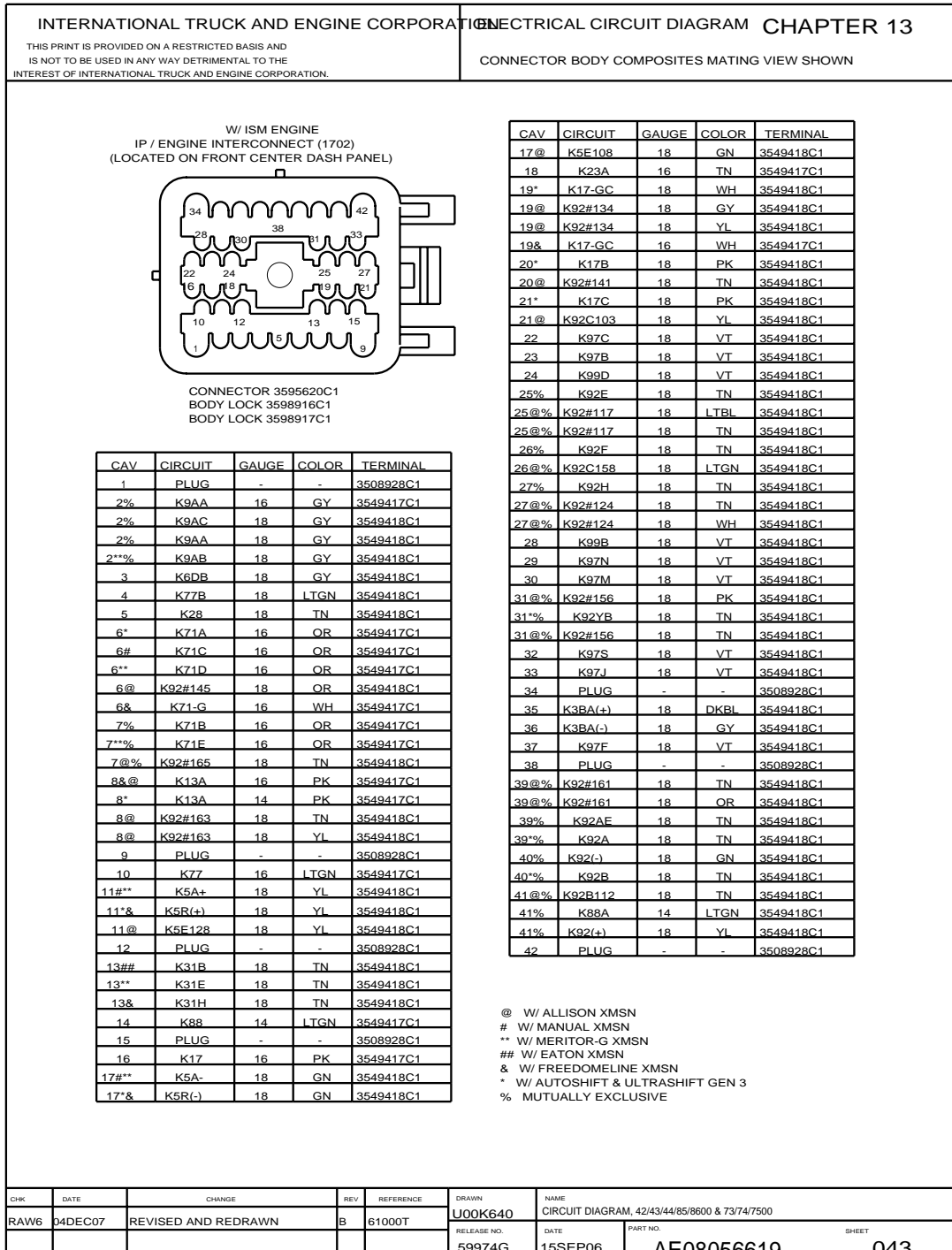


Figure 257 Connector Composite (1702)

13.46. CONNECTOR COMPOSITE (1702), P. 44

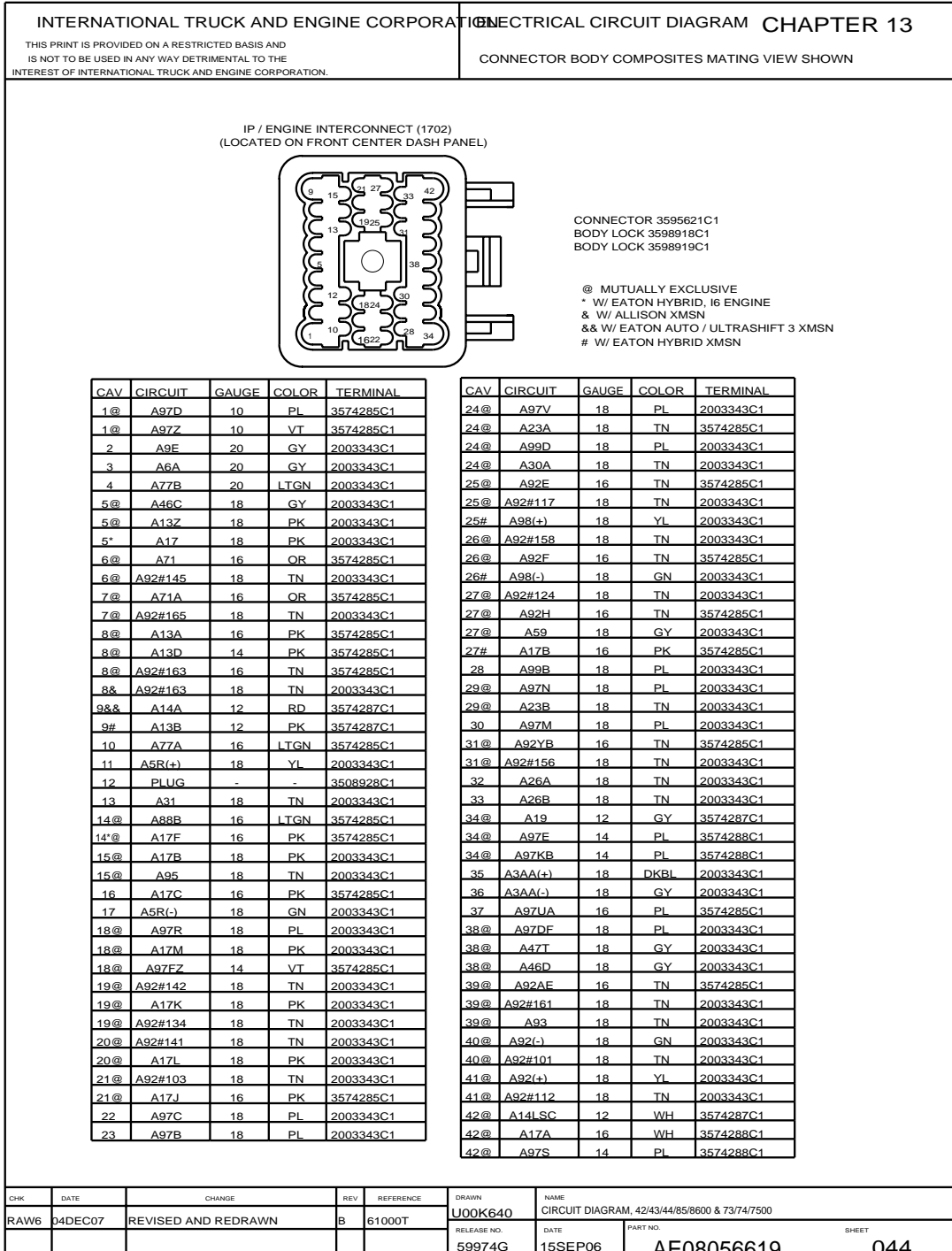


Figure 258 Connector Composite (1702)

13.47. CONNECTOR COMPOSITES (1800), P. 45

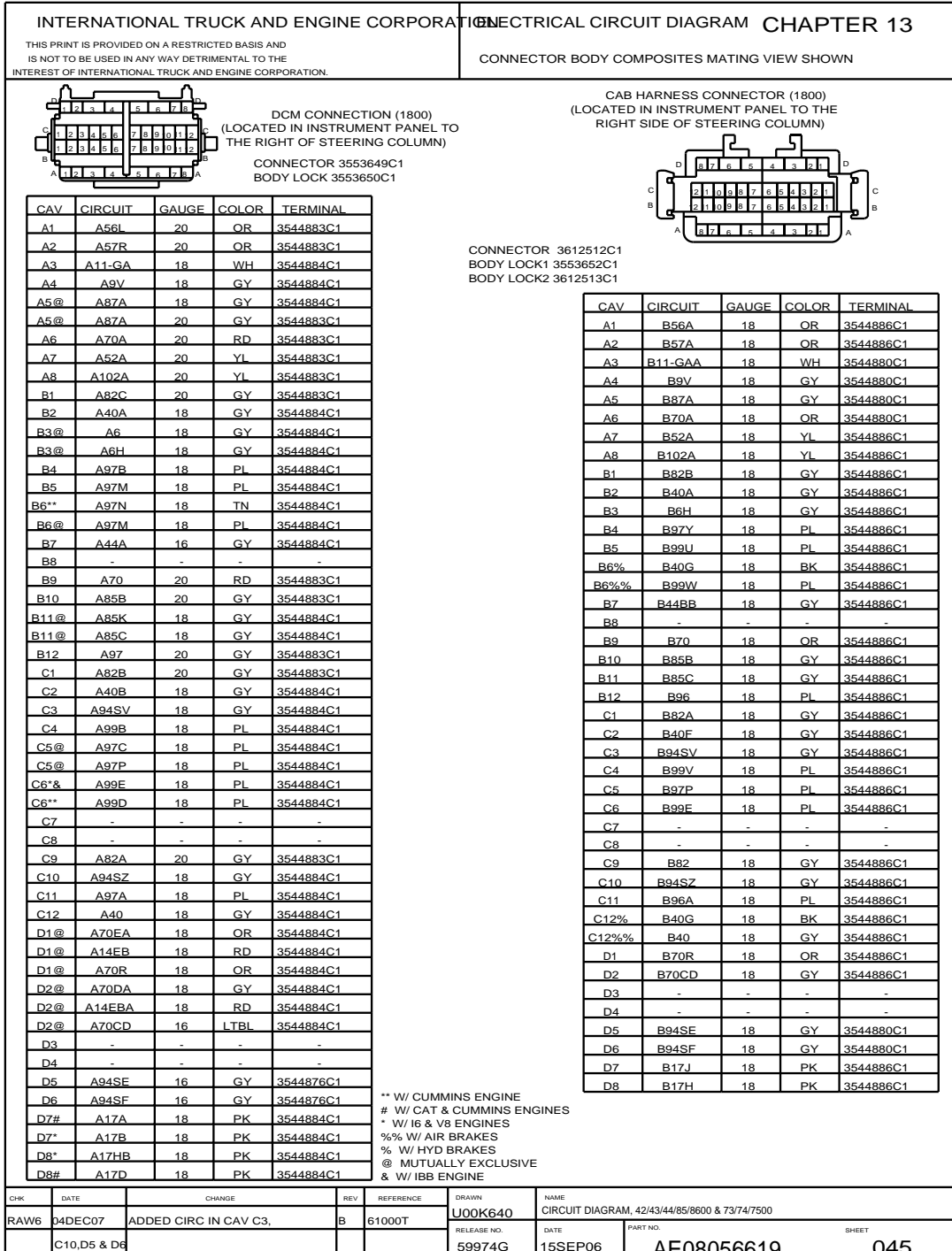
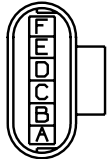


Figure 259 Connector Composites (1800)

13.48. CONNECTOR COMPOSITES (1804), (1807), (1808), P. 46

<p>INTERNATIONAL TRUCK AND ENGINE CORPORATION</p> <p>THIS PRINT IS PROVIDED ON A RESTRICTED BASIS AND IS NOT TO BE USED IN ANY WAY DETRIMENTAL TO THE INTEREST OF INTERNATIONAL TRUCK AND ENGINE CORPORATION.</p>	<p>ELECTRICAL CIRCUIT DIAGRAM CHAPTER 13</p> <p>CONNECTOR BODY COMPOSITES MATING VIEW SHOWN</p>
--------------------------------------------------------------------------------------------------------------------------------------------------------------------------------------------------------------------------	--------------------------------------------------------------------------------------------------------------------

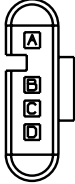
ACCELERATOR PEDAL (1804)
(LOCATED ABOVE ACCELERATOR PEDAL)



CAV	CIRCUIT	GAUGE	COLOR	TERMINAL
A	B99V	18	PL	1651943C1
B	B97Y	18	PL	1651943C1
C	B97P	18	PL	1651943C1
D	B99U	18	PL	1651943C1
E	B99W	18	PL	1651943C1
F	B99E	18	PL	1651943C1

CONNECTOR 1687790C1

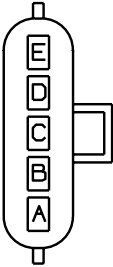
CLUTCH SWITCH (1807)
(LOCATED ON CLUTCH PEDAL)



CAV	CIRCUIT	GAUGE	COLOR	TERMINAL	SEAL/SLEEVE
A	B17J	18	PK	1667742C1	3568570C1
B	B17H	18	PK	1667742C1	3568570C1
C	B96A	18	PL	1667742C1	3568570C1
D	B9VB	18	GY	1667742C1	3568570C1

CONNECTOR 3540757C1
BODY LOCK 3540758C1

BACK-UP ALARM (1808)
(LOCATED AT REAR END OF RIGHT FRAME RAIL)



CAV	CIRCUIT	GAUGE	COLOR	TERMINAL	SEAL/SLEEVE
A	RD	16	RD	2033819C1	1652325C1
B	PLUG				0587579C1
C	PLUG				0587579C1
D	PLUG				0587579C1
E	BK	16	BK	2033819C1	1652325C1

CONNECTOR 1661375C2
BODY LOCK 1661376C1

CHK	DATE	CHANGE	REV	REFERENCE	DRAWN	NAME
	MAY07	REVISED & REDRAWN	A	60782A	UOOK640	42/43/44/85/8600 & 73/74/7500 CIRC DIAGRAMS
					RELEASE NO. 59974G	DATE 15SEP06 PART NO. AE08-56619 SHEET 46

Figure 260 Connector Composites (1804), (1807), (1808)

13.49. CONNECTOR COMPOSITES (1809), (1810), (1811), (1812), (1813), (1815), (1822),
 P. 47

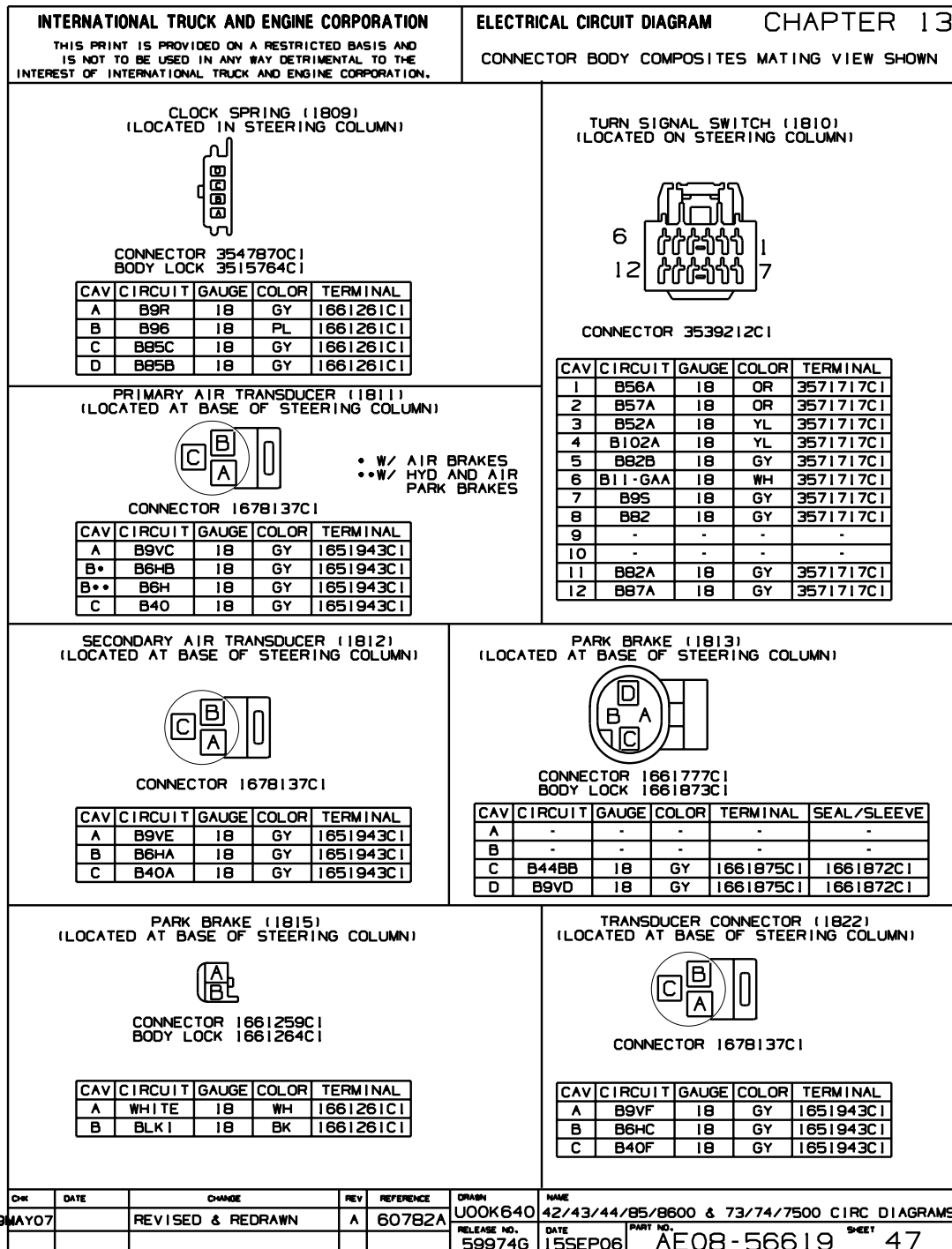


Figure 261 Connector Composites (1809), (1810), (1811), (1812), (1813), (1815), (1822)

13.50. CONNECTOR COMPOSITES (1820), (1821), P. 47A

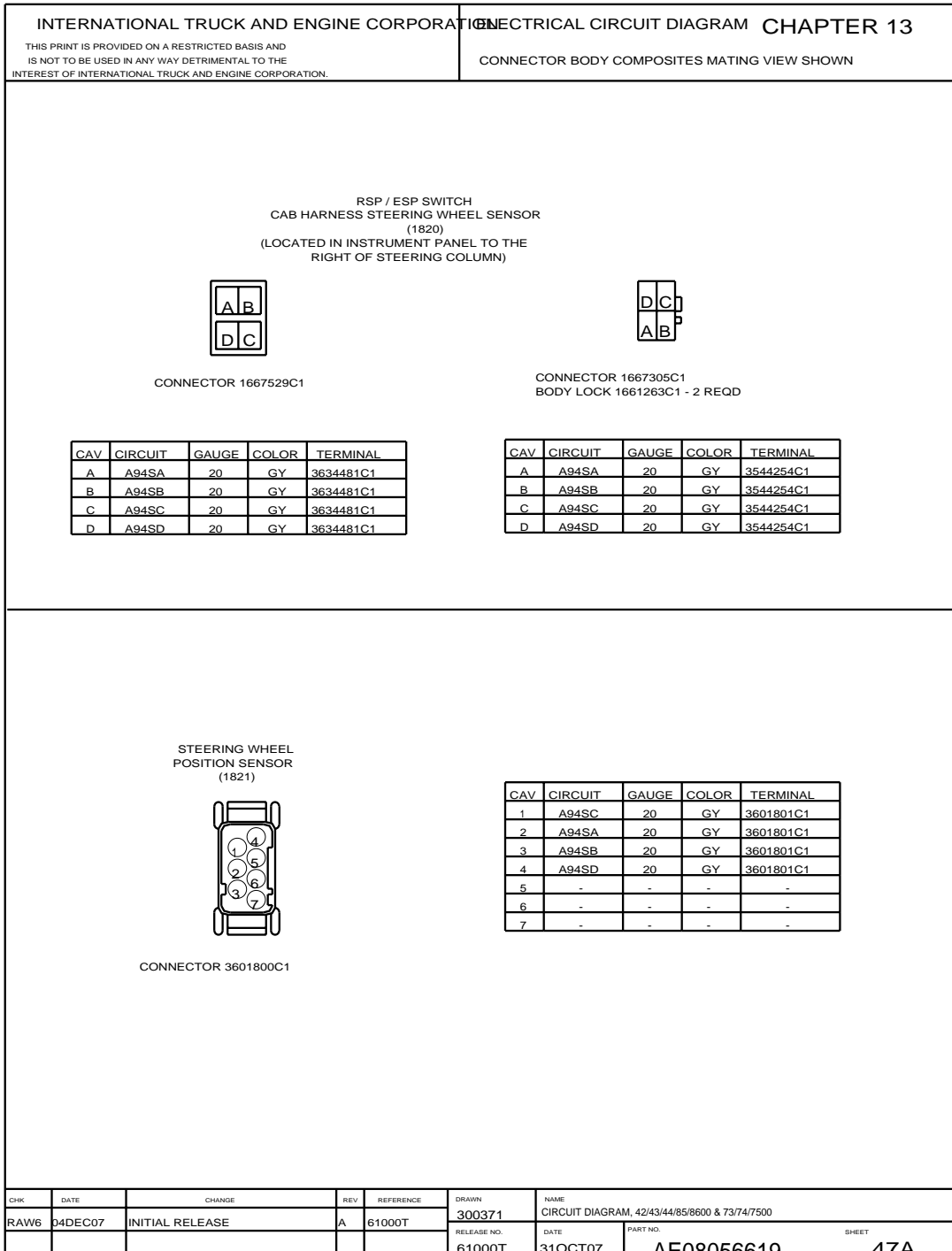
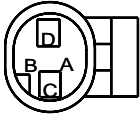


Figure 262 Connector Composites (1820), (1821)

13.51. CONNECTOR COMPOSITES (1823), (1824), (1825), (1826), (1827), P. 48

INTERNATIONAL TRUCK AND ENGINE CORPORATION				ELECTRICAL CIRCUIT DIAGRAM CHAPTER 13			
THIS PRINT IS PROVIDED ON A RESTRICTED BASIS AND IS NOT TO BE USED IN ANY WAY DETRIMENTAL TO THE INTEREST OF INTERNATIONAL TRUCK AND ENGINE CORPORATION.				CONNECTOR BODY COMPOSITES MATING VIEW SHOWN			

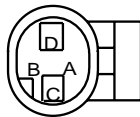
STOP LIGHT # 1 (1823)
(LOCATED AT BASE OF STEERING COLUMN)



CAV	CIRCUIT	GAUGE	COLOR	TERMINAL	SEAL/SLEEVE
A	-	-	-	-	-
B	-	-	-	-	-
C	B70A	18	OR	1661875C1	1661872C1
D	B9VG	18	GY	1661875C1	1661872C1

CONNECTOR 1661777C1
BODY LOCK 1661873C1

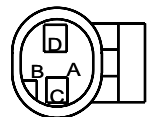
STOP LIGHT # 2 (1824)
(LOCATED AT BASE OF STEERING COLUMN)



CAV	CIRCUIT	GAUGE	COLOR	TERMINAL	SEAL/SLEEVE
A	-	-	-	-	-
B	-	-	-	-	-
C	B70	18	OR	1661875C1	1661872C1
D	B9VH	18	GY	1661875C1	1661872C1

CONNECTOR 1661777C1
BODY LOCK 1661873C1

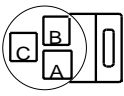
BRAKE PRESSURE SWITCH (1825)
(LOCATED AT BASE OF STEERING COLUMN)



CAV	CIRCUIT	GAUGE	COLOR	TERMINAL	SEAL/SLEEVE
A	-	-	-	-	-
B	-	-	-	-	-
C	B70R	18	OR	1661875C1	1661872C1
D	B70CD	18	GY	1661875C1	1661872C1

CONNECTOR 1661777C1
BODY LOCK 1661873C1

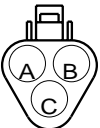
ABS PRIMARY AIR TRANSDUCER
(1826)



CAV	CIRCUIT	GAUGE	COLOR	TERMINAL
A	A94SZA	18	GY	1651943C1
B	A94SVA	18	GY	1651943C1
C	A94SE	18	GY	1651943C1

CONNECTOR 1678137C1

ACCELERATOR PEDAL MODULE (1827)
(LOCATED ABOVE ACCELERATOR PEDAL)



CAV	CIRCUIT	GAUGE	COLOR	TERMINAL
A	B97P	18	PL	1680205C1
B	B97Y	18	PL	1680205C1
C	B99V	18	PL	1680205C1

CONNECTOR 3601919C1

CHK	DATE	CHANGE	REV	REFERENCE	DRAWN	NAME
RAW6	04DEC07	REVISED AND REDRAWN	B	61000T	U00K640	CIRCUIT DIAGRAM, 42/43/44/85/8600 & 73/74/7500
					RELEASE NO.	DATE
					59974G	15SEP06
						PART NO.
						AE08056619
						SHEET
						048

Figure 263 Connector Composites (1823), (1824), (1825), (1826), (1827)

13.52. CONNECTOR COMPOSITES (1828), (1852), (1860), P. 48A

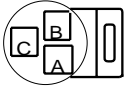
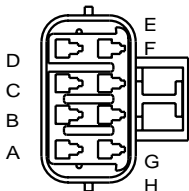
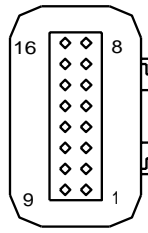
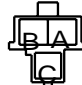
INTERNATIONAL TRUCK AND ENGINE CORPORATION		ELECTRICAL CIRCUIT DIAGRAM CHAPTER 13																																																																																						
THIS PRINT IS PROVIDED ON A RESTRICTED BASIS AND IS NOT TO BE USED IN ANY WAY DETRIMENTAL TO THE INTEREST OF INTERNATIONAL TRUCK AND ENGINE CORPORATION.		CONNECTOR BODY COMPOSITES MATING VIEW SHOWN																																																																																						
<div style="display: flex; justify-content: space-between;"> <div style="width: 45%;"> <p>ABS SECONDARY AIR TRANSDUCER (1828)</p>  <p>CONNECTOR 1678137C1</p> </div> <div style="width: 50%;"> <table border="1" style="width:100%; border-collapse: collapse; font-size: x-small;"> <thead> <tr> <th>CAV</th> <th>CIRCUIT</th> <th>GAUGE</th> <th>COLOR</th> <th>TERMINAL</th> </tr> </thead> <tbody> <tr> <td>A</td> <td>B94SZB</td> <td>18</td> <td>GY</td> <td>1651943C1</td> </tr> <tr> <td>B</td> <td>B94SVB</td> <td>18</td> <td>GY</td> <td>1651943C1</td> </tr> <tr> <td>C</td> <td>B94SF</td> <td>18</td> <td>GY</td> <td>1651943C1</td> </tr> </tbody> </table> </div> </div>				CAV	CIRCUIT	GAUGE	COLOR	TERMINAL	A	B94SZB	18	GY	1651943C1	B	B94SVB	18	GY	1651943C1	C	B94SF	18	GY	1651943C1																																																																	
CAV	CIRCUIT	GAUGE	COLOR	TERMINAL																																																																																				
A	B94SZB	18	GY	1651943C1																																																																																				
B	B94SVB	18	GY	1651943C1																																																																																				
C	B94SF	18	GY	1651943C1																																																																																				
<div style="display: flex; justify-content: space-between;"> <div style="width: 45%;"> <p>LCT COLUMN SHIFTER (1828) (LOCATED ON THE BACK OF LCT SHIFT SELECTOR)</p>  <p>CONNECTOR 3525872C1 BODY LOCK 3525873C1</p> </div> <div style="width: 50%;"> <table border="1" style="width:100%; border-collapse: collapse; font-size: x-small;"> <thead> <tr> <th>CAV</th> <th>CIRCUIT</th> <th>GAUGE</th> <th>COLOR</th> <th>TERMINAL</th> </tr> </thead> <tbody> <tr> <td>A</td> <td>PLUG</td> <td>-</td> <td>-</td> <td>2025431C1</td> </tr> <tr> <td>B</td> <td>A92-GG</td> <td>18</td> <td>WH</td> <td>1661875C1</td> </tr> <tr> <td>C</td> <td>A92A163</td> <td>18</td> <td>TN</td> <td>1661875C1</td> </tr> <tr> <td>D</td> <td>A92D</td> <td>18</td> <td>TN</td> <td>1661875C1</td> </tr> <tr> <td>E</td> <td>A92#142</td> <td>18</td> <td>TN</td> <td>1661875C1</td> </tr> <tr> <td>F@</td> <td>A92#103</td> <td>18</td> <td>TN</td> <td>1661875C1</td> </tr> <tr> <td>F*</td> <td>A92A103</td> <td>18</td> <td>TN</td> <td>1661875C1</td> </tr> <tr> <td>G</td> <td>A44L</td> <td>18</td> <td>GY</td> <td>1661875C1</td> </tr> <tr> <td>H</td> <td>A92AG</td> <td>18</td> <td>TN</td> <td>1661875C1</td> </tr> </tbody> </table> <p style="font-size: x-small; text-align: center;">* W/ WHEELCHAIR LIFT INTERLOCK @ W/ LCT COLUMN SHIFTER</p> </div> </div>				CAV	CIRCUIT	GAUGE	COLOR	TERMINAL	A	PLUG	-	-	2025431C1	B	A92-GG	18	WH	1661875C1	C	A92A163	18	TN	1661875C1	D	A92D	18	TN	1661875C1	E	A92#142	18	TN	1661875C1	F@	A92#103	18	TN	1661875C1	F*	A92A103	18	TN	1661875C1	G	A44L	18	GY	1661875C1	H	A92AG	18	TN	1661875C1																																			
CAV	CIRCUIT	GAUGE	COLOR	TERMINAL																																																																																				
A	PLUG	-	-	2025431C1																																																																																				
B	A92-GG	18	WH	1661875C1																																																																																				
C	A92A163	18	TN	1661875C1																																																																																				
D	A92D	18	TN	1661875C1																																																																																				
E	A92#142	18	TN	1661875C1																																																																																				
F@	A92#103	18	TN	1661875C1																																																																																				
F*	A92A103	18	TN	1661875C1																																																																																				
G	A44L	18	GY	1661875C1																																																																																				
H	A92AG	18	TN	1661875C1																																																																																				
<div style="display: flex; justify-content: space-between;"> <div style="width: 45%;"> <p>SHIFT SELECTOR (1852) (LOCATED IN INSTRUMENT PANEL NEAR SHIFTER)</p>  <p>CONNECTOR 3605446C91</p> </div> <div style="width: 50%;"> <table border="1" style="width:100%; border-collapse: collapse; font-size: x-small;"> <thead> <tr> <th>CAV</th> <th>CIRCUIT</th> <th>GAUGE</th> <th>COLOR</th> <th>TERMINAL</th> </tr> </thead> <tbody> <tr><td>1</td><td>PLUG</td><td>-</td><td>-</td><td>3518314C1</td></tr> <tr><td>2</td><td>PLUG</td><td>-</td><td>-</td><td>3518314C1</td></tr> <tr><td>3</td><td>A62BE</td><td>18</td><td>GY</td><td>3517243C1</td></tr> <tr><td>4</td><td>PLUG</td><td>-</td><td>-</td><td>3518314C1</td></tr> <tr><td>5</td><td>A92-GG</td><td>18</td><td>WH</td><td>3517243C1</td></tr> <tr><td>6</td><td>PLUG</td><td>-</td><td>-</td><td>3518314C1</td></tr> <tr><td>7</td><td>PLUG</td><td>-</td><td>-</td><td>3518314C1</td></tr> <tr><td>8</td><td>A5FA(+)</td><td>18</td><td>YL</td><td>3517243C1</td></tr> <tr><td>9</td><td>PLUG</td><td>-</td><td>-</td><td>3518314C1</td></tr> <tr><td>10</td><td>PLUG</td><td>-</td><td>-</td><td>3518314C1</td></tr> <tr><td>11</td><td>A92#134</td><td>18</td><td>TN</td><td>3517243C1</td></tr> <tr><td>12</td><td>A92A163</td><td>18</td><td>TN</td><td>3517243C1</td></tr> <tr><td>13</td><td>A92BT</td><td>18</td><td>TN</td><td>3517243C1</td></tr> <tr><td>14</td><td>PLUG</td><td>-</td><td>-</td><td>3518314C1</td></tr> <tr><td>15</td><td>A5FA(-)</td><td>18</td><td>GN</td><td>3517243C1</td></tr> <tr><td>16</td><td>PLUG</td><td>-</td><td>-</td><td>3518314C1</td></tr> </tbody> </table> </div> </div>				CAV	CIRCUIT	GAUGE	COLOR	TERMINAL	1	PLUG	-	-	3518314C1	2	PLUG	-	-	3518314C1	3	A62BE	18	GY	3517243C1	4	PLUG	-	-	3518314C1	5	A92-GG	18	WH	3517243C1	6	PLUG	-	-	3518314C1	7	PLUG	-	-	3518314C1	8	A5FA(+)	18	YL	3517243C1	9	PLUG	-	-	3518314C1	10	PLUG	-	-	3518314C1	11	A92#134	18	TN	3517243C1	12	A92A163	18	TN	3517243C1	13	A92BT	18	TN	3517243C1	14	PLUG	-	-	3518314C1	15	A5FA(-)	18	GN	3517243C1	16	PLUG	-	-	3518314C1
CAV	CIRCUIT	GAUGE	COLOR	TERMINAL																																																																																				
1	PLUG	-	-	3518314C1																																																																																				
2	PLUG	-	-	3518314C1																																																																																				
3	A62BE	18	GY	3517243C1																																																																																				
4	PLUG	-	-	3518314C1																																																																																				
5	A92-GG	18	WH	3517243C1																																																																																				
6	PLUG	-	-	3518314C1																																																																																				
7	PLUG	-	-	3518314C1																																																																																				
8	A5FA(+)	18	YL	3517243C1																																																																																				
9	PLUG	-	-	3518314C1																																																																																				
10	PLUG	-	-	3518314C1																																																																																				
11	A92#134	18	TN	3517243C1																																																																																				
12	A92A163	18	TN	3517243C1																																																																																				
13	A92BT	18	TN	3517243C1																																																																																				
14	PLUG	-	-	3518314C1																																																																																				
15	A5FA(-)	18	GN	3517243C1																																																																																				
16	PLUG	-	-	3518314C1																																																																																				
<div style="display: flex; justify-content: space-between;"> <div style="width: 45%;"> <p>CIGAR LIGHTER POWER SOURCE (1860) (LOCATED IN INSTRUMENT PANEL CENTER)</p>  <p>CONNECTOR 3613000C1</p> </div> <div style="width: 50%;"> <table border="1" style="width:100%; border-collapse: collapse; font-size: x-small;"> <thead> <tr> <th>CAV</th> <th>CIRCUIT</th> <th>GAUGE</th> <th>COLOR</th> <th>TERMINAL</th> </tr> </thead> <tbody> <tr> <td>A</td> <td>A86-GA</td> <td>14</td> <td>WH</td> <td>3534165C1</td> </tr> <tr> <td>B</td> <td>A86M</td> <td>14</td> <td>LTGN</td> <td>3534165C1</td> </tr> <tr> <td>C</td> <td>-</td> <td>-</td> <td>-</td> <td>-</td> </tr> </tbody> </table> </div> </div>				CAV	CIRCUIT	GAUGE	COLOR	TERMINAL	A	A86-GA	14	WH	3534165C1	B	A86M	14	LTGN	3534165C1	C	-	-	-	-																																																																	
CAV	CIRCUIT	GAUGE	COLOR	TERMINAL																																																																																				
A	A86-GA	14	WH	3534165C1																																																																																				
B	A86M	14	LTGN	3534165C1																																																																																				
C	-	-	-	-																																																																																				
CHK	DATE	CHANGE	REV	REFERENCE	DRAWN	NAME																																																																																		
RAW6	04DEC07	INITIAL RELEASE	A	61000T	300371	CIRCUIT DIAGRAM, 42/43/44/85/8600 & 73/74/7500																																																																																		
					RELEASE NO.	DATE	PART NO.																																																																																	
					61000T	31OCT07	AE08056619																																																																																	
							SHEET 48a																																																																																	

Figure 264 Connector Composites (1828), (1852), (1860)

13.53. CONNECTOR COMPOSITES (1861), (1872), (1873), (1874), (1875), (1900), P. 49

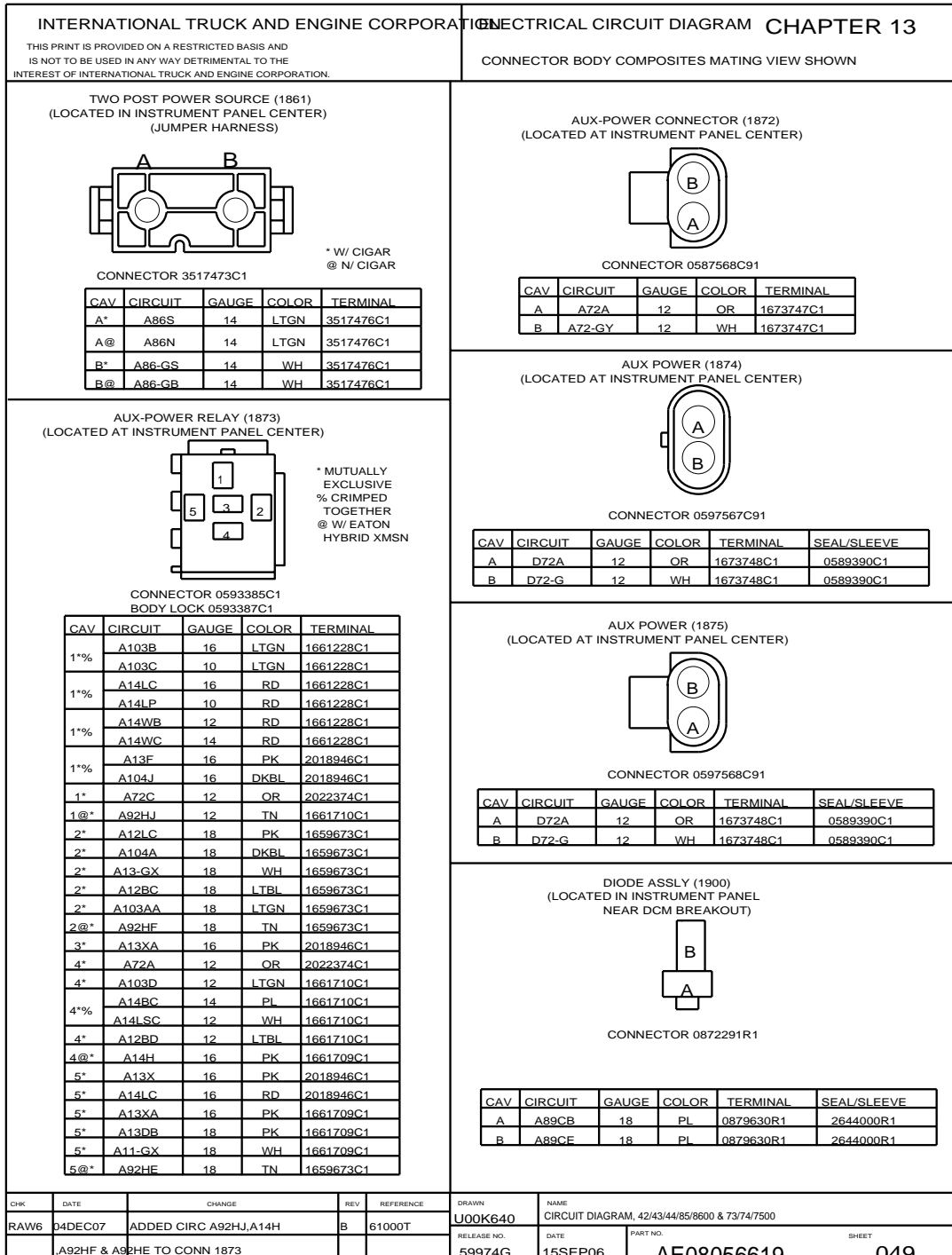


Figure 265 Connector Composites (1861), (1872), (1873), (1874), (1875), (1900)

13.54. CONNECTOR COMPOSITES (1901), (1902), (1910), (1912), (1916), P. 50

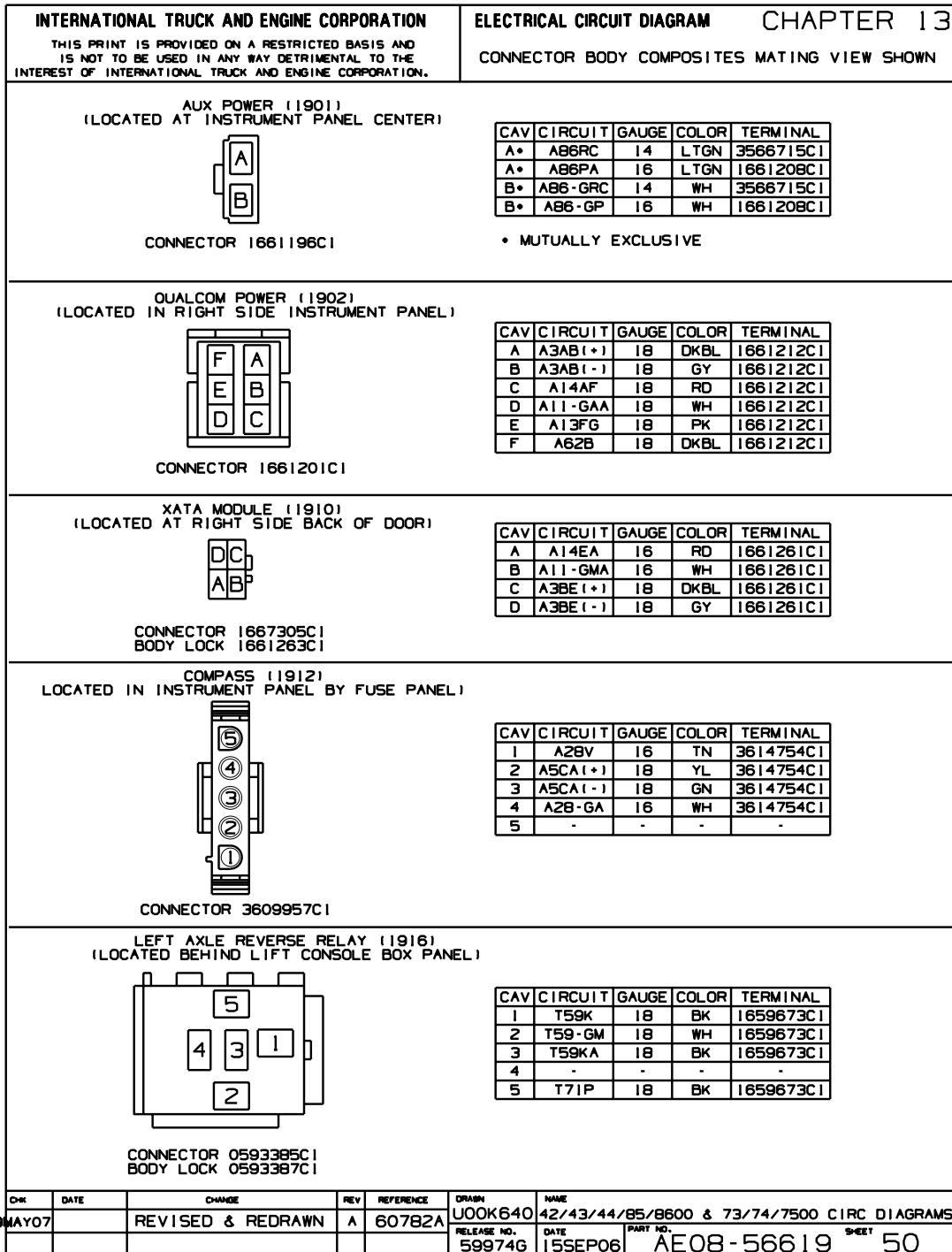


Figure 266 Connector Composites (1901), (1902), (1910), (1912), (1916)

13.55. CONNECTOR COMPOSITES (1918), (1923), (1927), (1929), (1935), (2000), P. 51

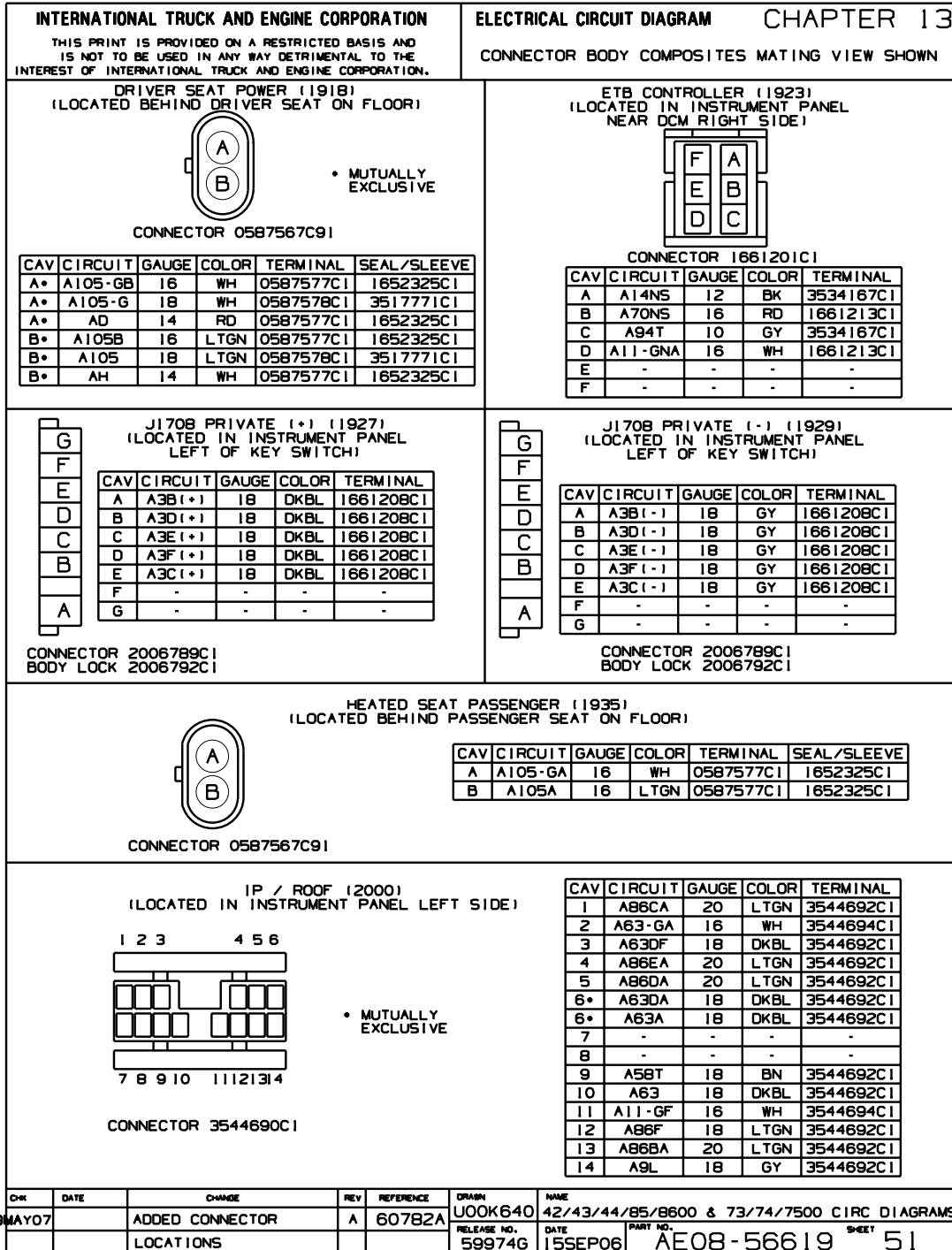


Figure 267 Connector Composites (1918), (1923), (1927), (1929), (1935), (2000)

13.56. CONNECTOR COMPOSITES (2000), (2002), (2003), (2004), (2005), (2006), P. 52

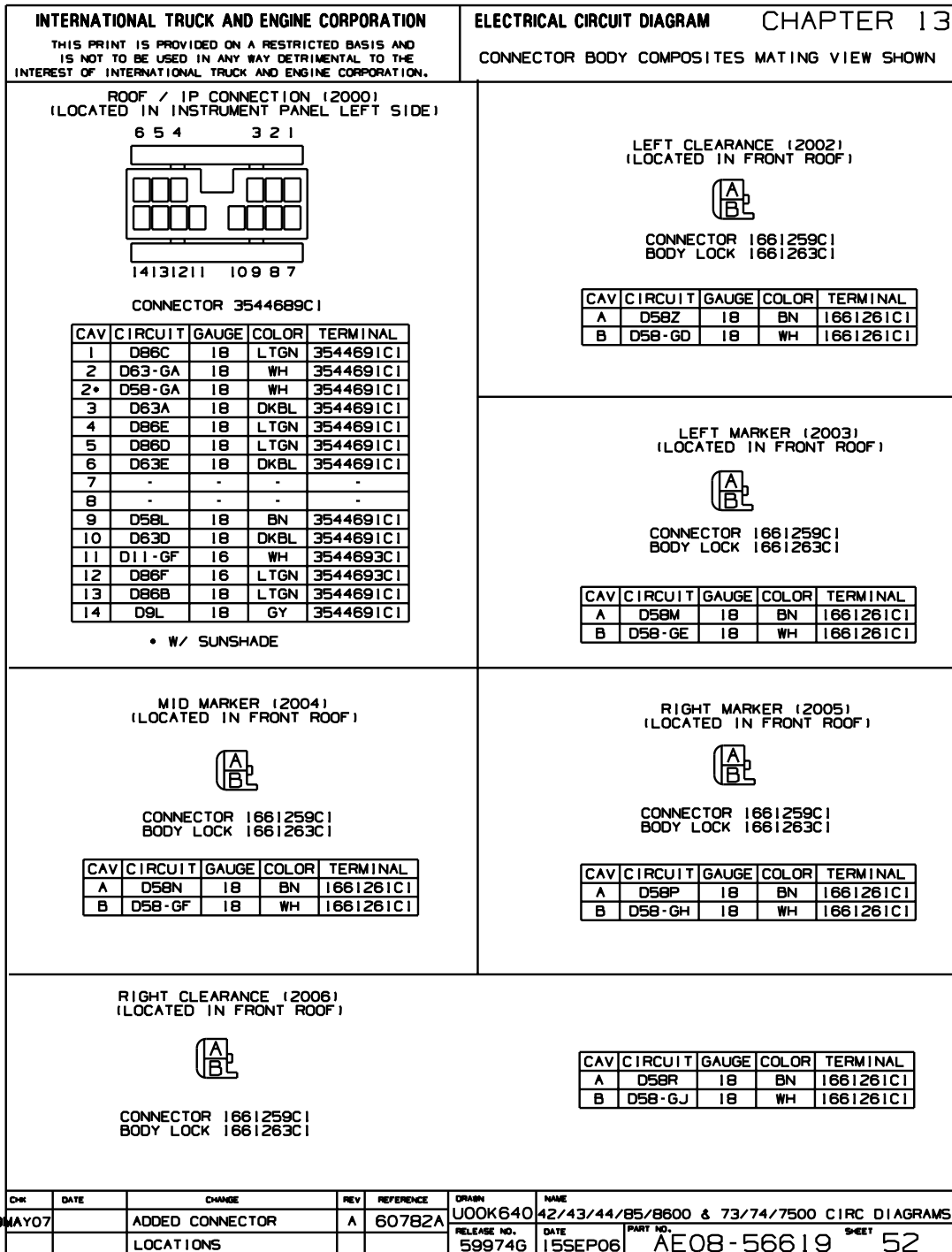


Figure 268 Connector Composites (2000), (2002), (2003), (2004), (2005), (2006)

13.57. CONNECTOR COMPOSITES (2020), (2021), (2022), (2115), (2116), (2116M), (2117), (2117M), P. 53

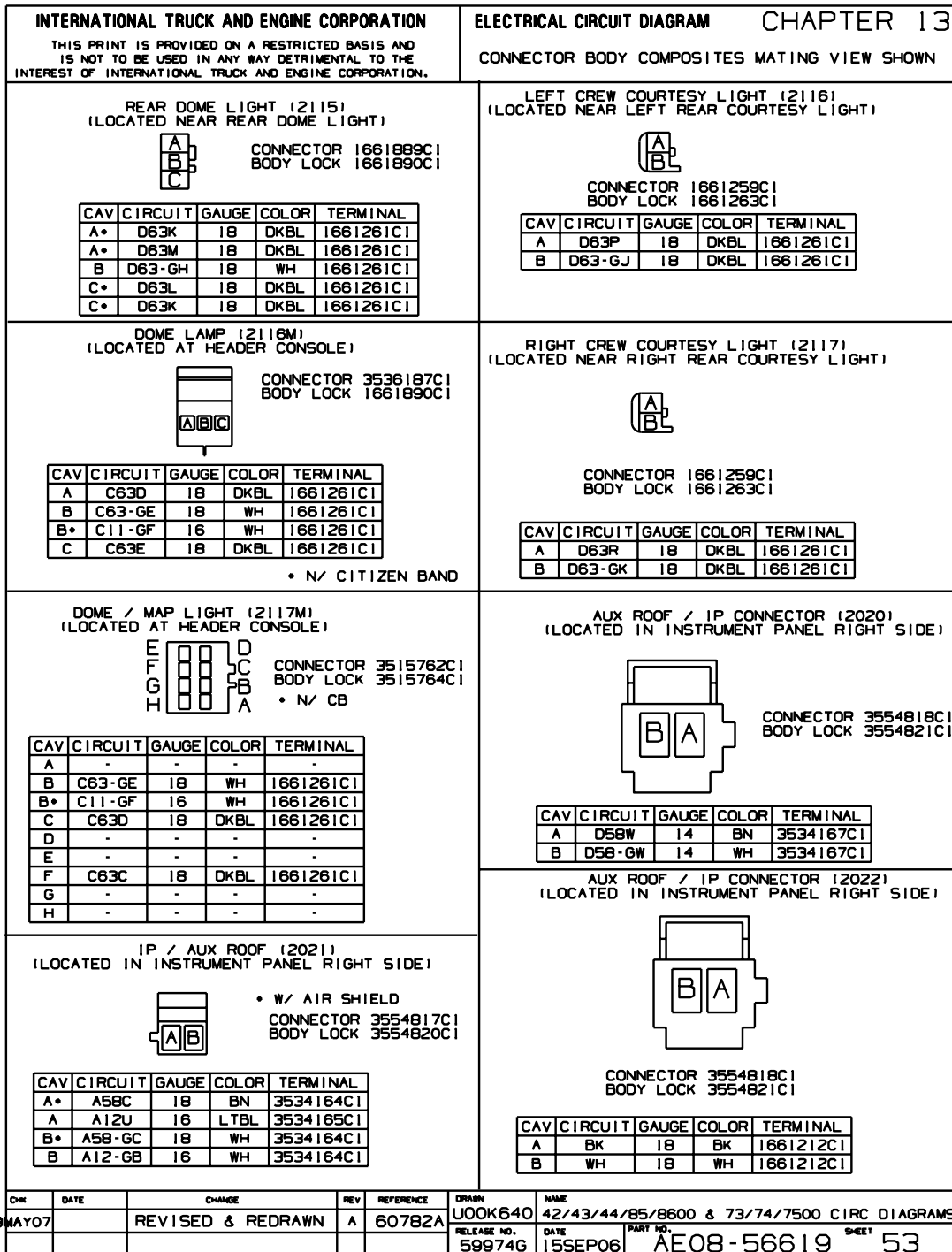


Figure 269 Connector Composites (2020), (2021), (2022), (2115), (2116), (2116M), (2117), (2117M)

13.58. CONNECTOR COMPOSITES (2301), (2302), (2303), (2304), (2305), (2502), P. 54

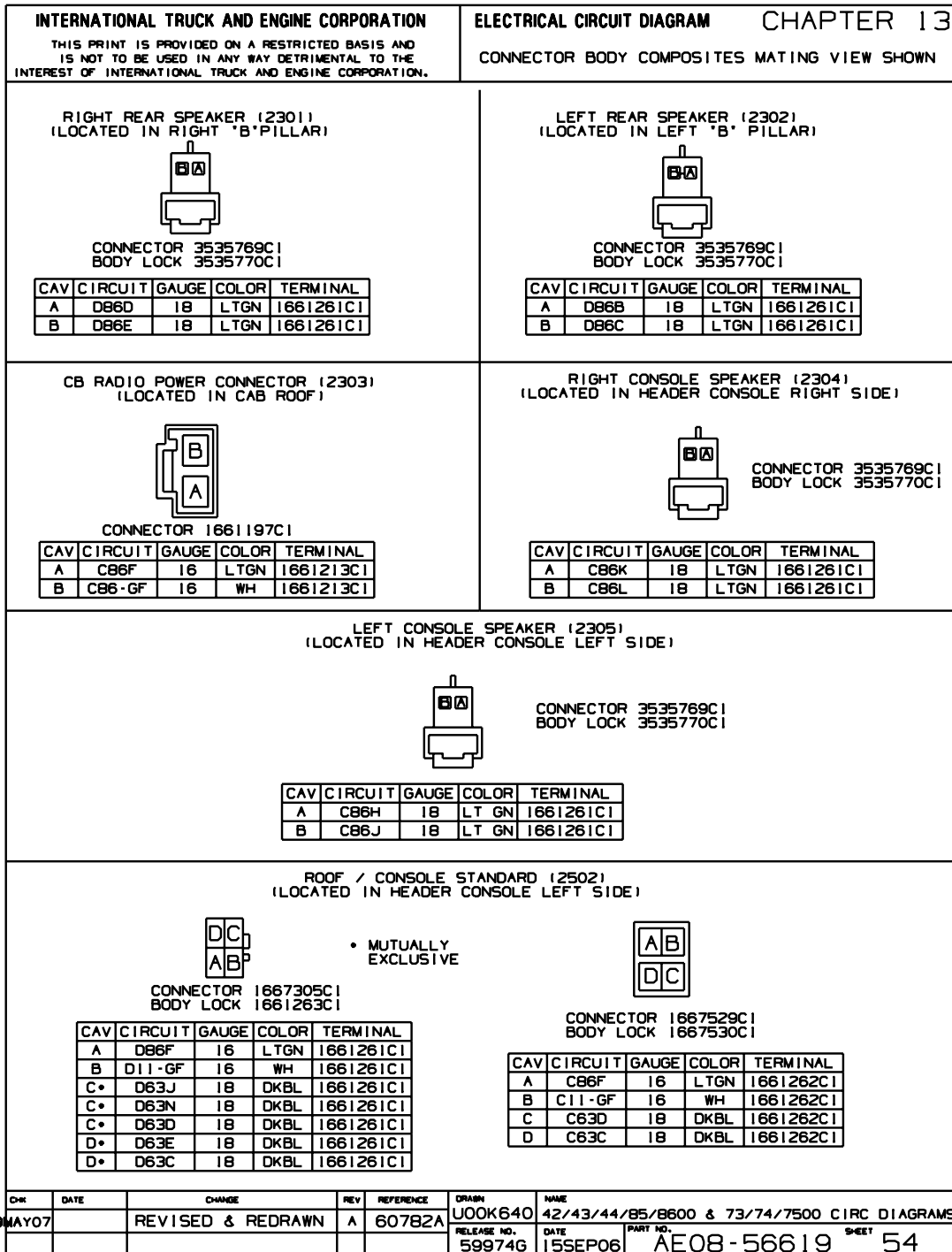


Figure 270 Connector Composites (2301), (2302), (2303), (2304), (2305), (2502)

13.59. CONNECTOR COMPOSITES (2503), (2600), (2601), (2602), P. 55

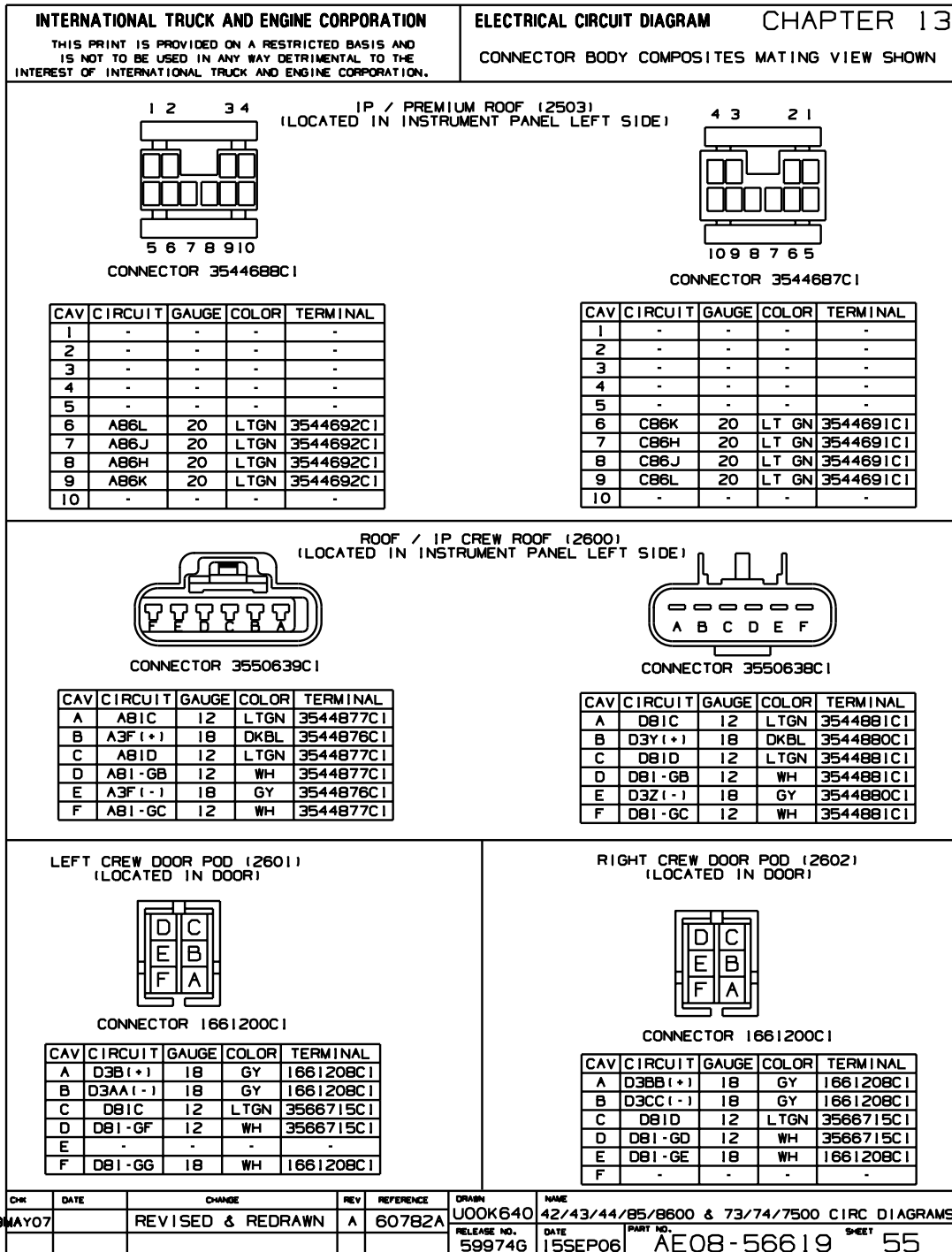


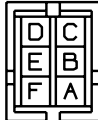
Figure 271 Connector Composites (2503), (2600), (2601), (2602)

13.60. CONNECTOR COMPOSITES (2700), (2700M), P. 56

INTERNATIONAL TRUCK AND ENGINE CORPORATION
 THIS PRINT IS PROVIDED ON A RESTRICTED BASIS AND IS NOT TO BE USED IN ANY WAY DETRIMENTAL TO THE INTEREST OF INTERNATIONAL TRUCK AND ENGINE CORPORATION.

ELECTRICAL CIRCUIT DIAGRAM CHAPTER 13
 CONNECTOR BODY COMPOSITES MATING VIEW SHOWN

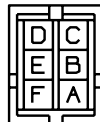
MCT SYSTEM QUALCOMM POWER CONNECTOR (2700)
 (LOCATED IN RIGHT SIDE INSTRUMENT PANEL)



CONNECTOR 1661200C1

CAV	CIRCUIT	GAUGE	COLOR	TERMINAL
A	-	-	-	-
B	-	-	-	-
C	D14AF	16	RD	1661209C1
D	D11-GG	16	WH	1661209C1
E	D13F	16	PK	1661209C1
F	D62B	16	DK BL	1661209C1

TMCT SYSTEM QUALCOMM POWER CONNECTOR (2700M)
 (LOCATED IN RIGHT SIDE INSTRUMENT PANEL)



CONNECTOR 1661200C1

CAV	CIRCUIT	GAUGE	COLOR	TERMINAL
A	D3EP(+)	18	DKBL	1661208C1
B	D3EN(-)	18	GY	1661208C1
C	D140A	16	RD	1661209C1
D	D11-GO	16	WH	1661209C1
E	D130A	16	PK	1661209C1
F	D620A	16	RD	1661209C1

CHK	DATE	CHANGE	REV	REFERENCE	DRAWN	NAME
9	MAY07	REVISED & REDRAWN	A	60782A	U00K640	42/43/44/85/8600 & 73/74/7500 CIRC DIAGRAMS
					RELEASE NO. 59974G	DATE 15SEP06 PART NO. AE08-56619 SHEET 56

Figure 272 Connector Composites (2700), (2700M)

13.61. CONNECTOR COMPOSITES (2701), (2701F), (2701G), (2702), P. 57

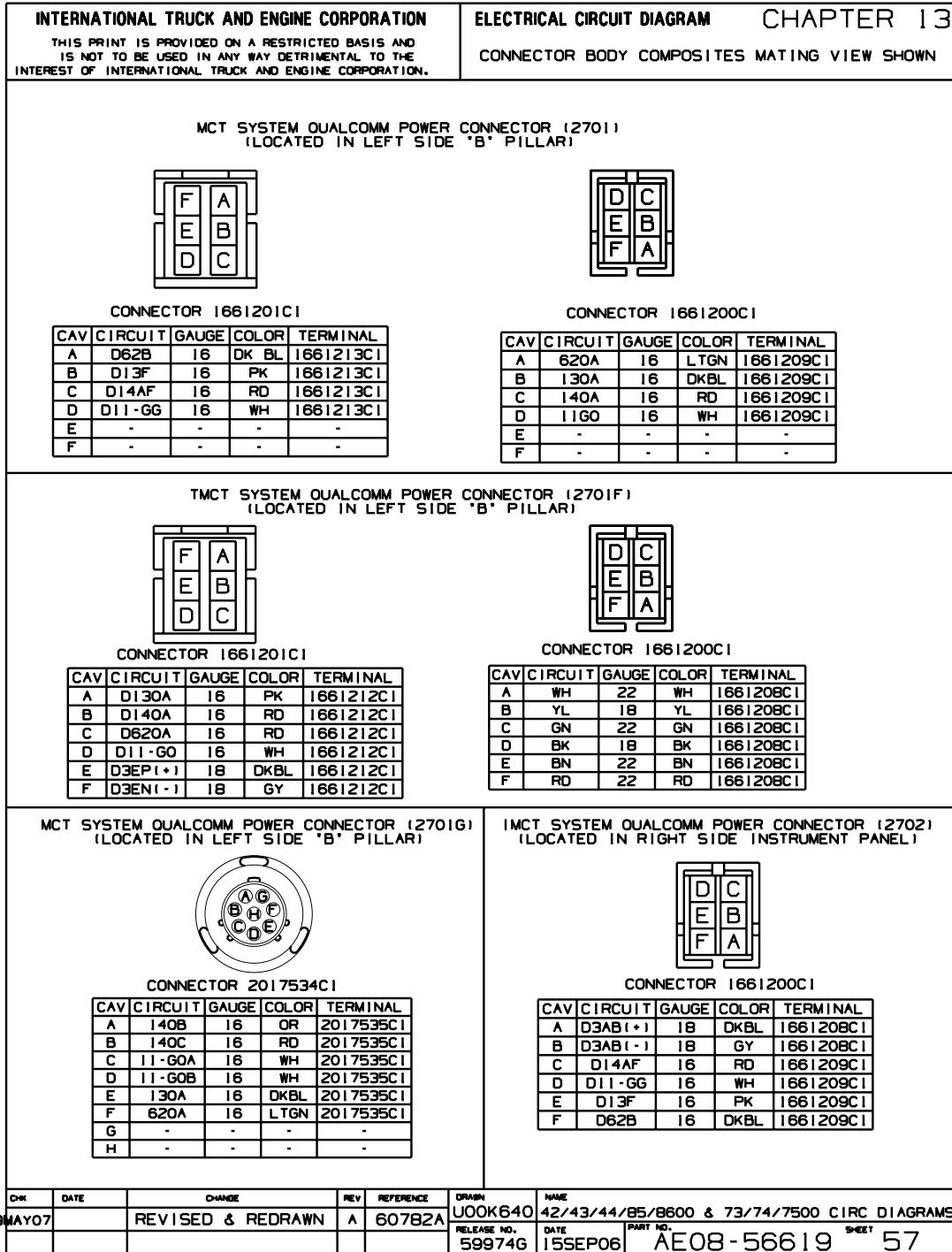


Figure 273 Connector Composites (2701), (2701F), (2701G), (2702)

13.62. CONNECTOR COMPOSITES (2703), (3000), (3002), (3003), P. 58

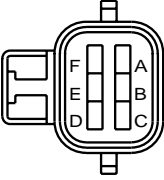
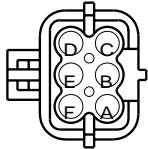
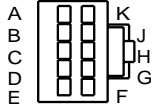

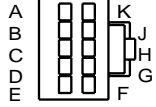
INTERNATIONAL TRUCK AND ENGINE CORPORATION		ELECTRICAL CIRCUIT DIAGRAM CHAPTER 13																																																														
THIS PRINT IS PROVIDED ON A RESTRICTED BASIS AND IS NOT TO BE USED IN ANY WAY DETRIMENTAL TO THE INTEREST OF INTERNATIONAL TRUCK AND ENGINE CORPORATION.		CONNECTOR BODY COMPOSITES MATING VIEW SHOWN																																																														
IMCT SYSTEM QUALCOMM CONNECTOR POWER (2703) (LOCATED IN LEFT SIDE 'B' PILLAR)																																																																
																																																																
CONNECTOR 2011340C1 BODY LOCK 2011364C1		CONNECTOR 2024437C1 BODY LOCK 2011364C1																																																														
CAV	CIRCUIT	GAUGE	COLOR	TERMINAL																																																												
A	D3AB(+)	18	DKBL	1661208C1																																																												
B	D3AB(-)	18	GY	1661208C1																																																												
C	D14AF	16	RD	1661209C1																																																												
D	D11-GG	16	WH	1661209C1																																																												
E	D13F	16	PK	1661209C1																																																												
F	D62B	16	DKBL	1661209C1																																																												
# MUTUALLY EXCLUSIVE																																																																
DRIVER DOOR CONNECTOR (3000) (LOCATED IN INSTRUMENT PANEL BY DRIVER DOOR)																																																																
		<table border="1" style="width:100%; border-collapse: collapse; font-size: small;"> <tr> <th>CAV</th> <th>CIRCUIT</th> <th>GAUGE</th> <th>COLOR</th> <th>TERMINAL</th> </tr> <tr> <td>A</td> <td>A78D</td> <td>18</td> <td>LTGN</td> <td>1661261C1</td> </tr> <tr> <td>B</td> <td>A78E</td> <td>18</td> <td>LTGN</td> <td>1661261C1</td> </tr> <tr> <td>C</td> <td>A78F</td> <td>18</td> <td>LTGN</td> <td>1661261C1</td> </tr> <tr> <td>D&</td> <td>A78A</td> <td>16</td> <td>LTGN</td> <td>1661261C1</td> </tr> <tr> <td>D*</td> <td>A78AB</td> <td>16</td> <td>LTGN</td> <td>1661261C1</td> </tr> <tr> <td>E</td> <td>A62BD</td> <td>18</td> <td>DKBL</td> <td>1661261C1</td> </tr> <tr> <td>F</td> <td>A58DA</td> <td>18</td> <td>BN</td> <td>1661261C1</td> </tr> <tr> <td>G</td> <td>A78V</td> <td>18</td> <td>LTGN</td> <td>1661261C1</td> </tr> <tr> <td>H</td> <td>A78-GA</td> <td>16</td> <td>WH</td> <td>1661261C1</td> </tr> <tr> <td>J</td> <td>-</td> <td>-</td> <td>-</td> <td>-</td> </tr> <tr> <td>K</td> <td>-</td> <td>-</td> <td>-</td> <td>-</td> </tr> </table>			CAV	CIRCUIT	GAUGE	COLOR	TERMINAL	A	A78D	18	LTGN	1661261C1	B	A78E	18	LTGN	1661261C1	C	A78F	18	LTGN	1661261C1	D&	A78A	16	LTGN	1661261C1	D*	A78AB	16	LTGN	1661261C1	E	A62BD	18	DKBL	1661261C1	F	A58DA	18	BN	1661261C1	G	A78V	18	LTGN	1661261C1	H	A78-GA	16	WH	1661261C1	J	-	-	-	-	K	-	-	-	-
CAV	CIRCUIT	GAUGE	COLOR	TERMINAL																																																												
A	A78D	18	LTGN	1661261C1																																																												
B	A78E	18	LTGN	1661261C1																																																												
C	A78F	18	LTGN	1661261C1																																																												
D&	A78A	16	LTGN	1661261C1																																																												
D*	A78AB	16	LTGN	1661261C1																																																												
E	A62BD	18	DKBL	1661261C1																																																												
F	A58DA	18	BN	1661261C1																																																												
G	A78V	18	LTGN	1661261C1																																																												
H	A78-GA	16	WH	1661261C1																																																												
J	-	-	-	-																																																												
K	-	-	-	-																																																												
CONNECTOR 3540612C1 BODY LOCK 3540614C1																																																																
& W/ POWER MIRROR - HEATED * W/ DUAL HOOD MTD MIRROR - HEATED																																																																
WINDOW MOTOR (3002) (LOCATED IN REAR DOOR)																																																																
		<table border="1" style="width:100%; border-collapse: collapse; font-size: small;"> <tr> <th>CAV</th> <th>CIRCUIT</th> <th>GAUGE</th> <th>COLOR</th> <th>TERMINAL</th> <th>SEAL/SLEEVE</th> </tr> <tr> <td>A</td> <td>T83C</td> <td>12</td> <td>LTGN</td> <td>2039344C1</td> <td>0589390C1</td> </tr> <tr> <td>B</td> <td>T83F</td> <td>12</td> <td>LTGN</td> <td>2039344C1</td> <td>0589390C1</td> </tr> </table>			CAV	CIRCUIT	GAUGE	COLOR	TERMINAL	SEAL/SLEEVE	A	T83C	12	LTGN	2039344C1	0589390C1	B	T83F	12	LTGN	2039344C1	0589390C1																																										
CAV	CIRCUIT	GAUGE	COLOR	TERMINAL	SEAL/SLEEVE																																																											
A	T83C	12	LTGN	2039344C1	0589390C1																																																											
B	T83F	12	LTGN	2039344C1	0589390C1																																																											
CONNECTOR 3534424C1 BODY LOCK 3534425C1																																																																
PASSENGER DOOR (3003) (LOCATED IN INSTRUMENT PANEL BY PASSENGER DOOR)																																																																
		<table border="1" style="width:100%; border-collapse: collapse; font-size: small;"> <tr> <th>CAV</th> <th>CIRCUIT</th> <th>GAUGE</th> <th>COLOR</th> <th>TERMINAL</th> </tr> <tr> <td>A</td> <td>A78D</td> <td>18</td> <td>LTGN</td> <td>1661261C1</td> </tr> <tr> <td>B</td> <td>A78E</td> <td>18</td> <td>LTGN</td> <td>1661261C1</td> </tr> <tr> <td>C</td> <td>A78F</td> <td>18</td> <td>LTGN</td> <td>1661261C1</td> </tr> <tr> <td>D#</td> <td>A78B</td> <td>16</td> <td>LTGN</td> <td>1661261C1</td> </tr> <tr> <td>D#</td> <td>A78BB</td> <td>16</td> <td>LTGN</td> <td>1661261C1</td> </tr> <tr> <td>E</td> <td>-</td> <td>-</td> <td>-</td> <td>-</td> </tr> <tr> <td>F</td> <td>A58DB</td> <td>18</td> <td>BN</td> <td>1661261C1</td> </tr> <tr> <td>G</td> <td>-</td> <td>-</td> <td>-</td> <td>-</td> </tr> <tr> <td>H</td> <td>A78-GB</td> <td>16</td> <td>WH</td> <td>1661261C1</td> </tr> <tr> <td>J</td> <td>-</td> <td>-</td> <td>-</td> <td>-</td> </tr> <tr> <td>K</td> <td>-</td> <td>-</td> <td>-</td> <td>-</td> </tr> </table>			CAV	CIRCUIT	GAUGE	COLOR	TERMINAL	A	A78D	18	LTGN	1661261C1	B	A78E	18	LTGN	1661261C1	C	A78F	18	LTGN	1661261C1	D#	A78B	16	LTGN	1661261C1	D#	A78BB	16	LTGN	1661261C1	E	-	-	-	-	F	A58DB	18	BN	1661261C1	G	-	-	-	-	H	A78-GB	16	WH	1661261C1	J	-	-	-	-	K	-	-	-	-
CAV	CIRCUIT	GAUGE	COLOR	TERMINAL																																																												
A	A78D	18	LTGN	1661261C1																																																												
B	A78E	18	LTGN	1661261C1																																																												
C	A78F	18	LTGN	1661261C1																																																												
D#	A78B	16	LTGN	1661261C1																																																												
D#	A78BB	16	LTGN	1661261C1																																																												
E	-	-	-	-																																																												
F	A58DB	18	BN	1661261C1																																																												
G	-	-	-	-																																																												
H	A78-GB	16	WH	1661261C1																																																												
J	-	-	-	-																																																												
K	-	-	-	-																																																												
CONNECTOR 3540612C1 BODY LOCK 3540614C1																																																																
CHK	DATE	CHANGE	REV	REFERENCE	DRAWN	NAME																																																										
RAW6	04DEC07	REVISED CONN 3000 AND	B	61000T	U00K640	CIRCUIT DIAGRAM, 42/43/44/85/8600 & 73/74/7500																																																										
	3003				59974G	DATE: 15SEP06 PART NO: AE08056610 SHEET: 058																																																										

Figure 274 Connector Composites (2703), (3000), (3002), (3003)

13.63. CONNECTOR COMPOSITES (3100), (3200), (3201), P. 59

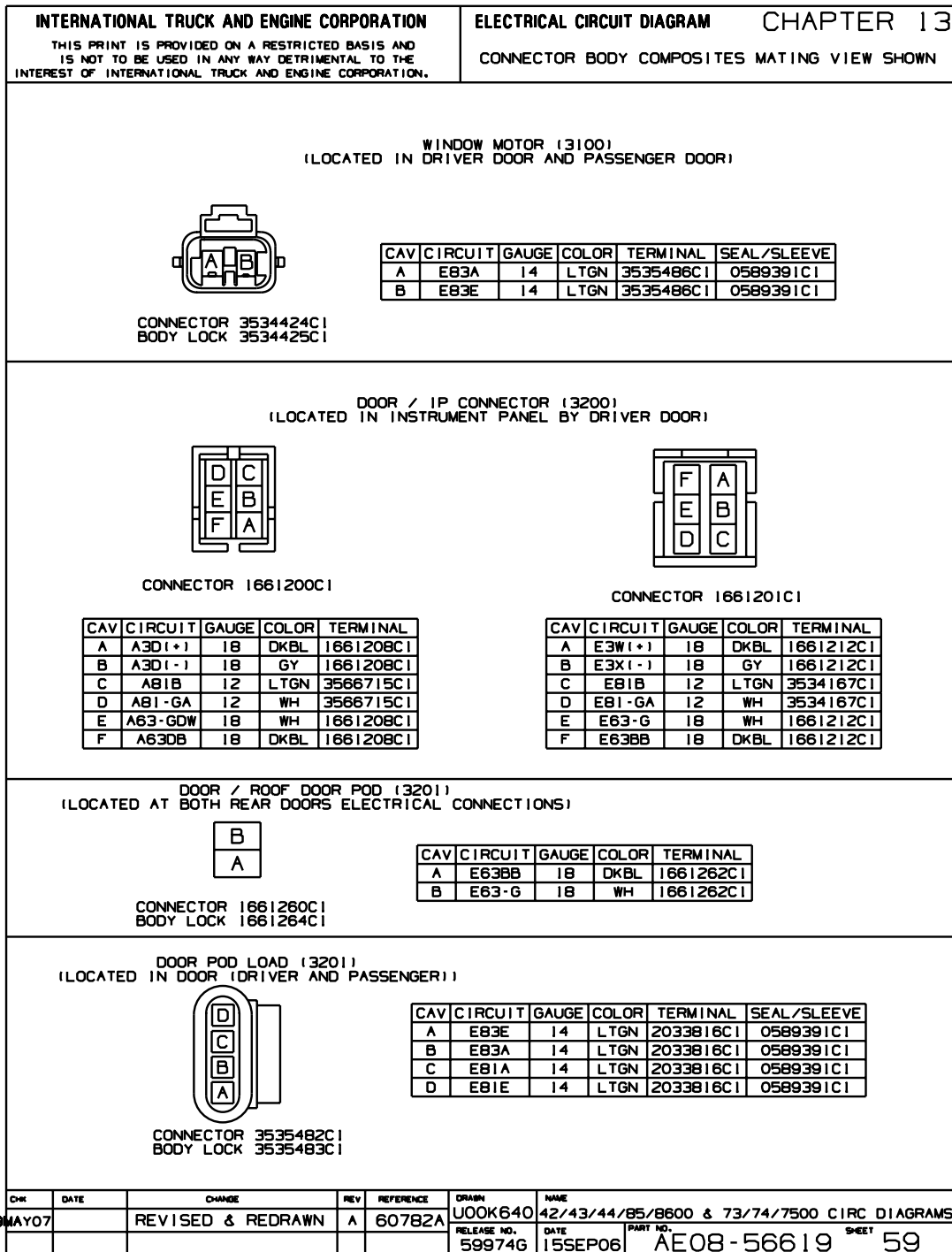


Figure 275 Connector Composites (3100), (3200), (3201)

13.64. CONNECTOR COMPOSITES (3202), (3203), (3204), (3208), P. 60

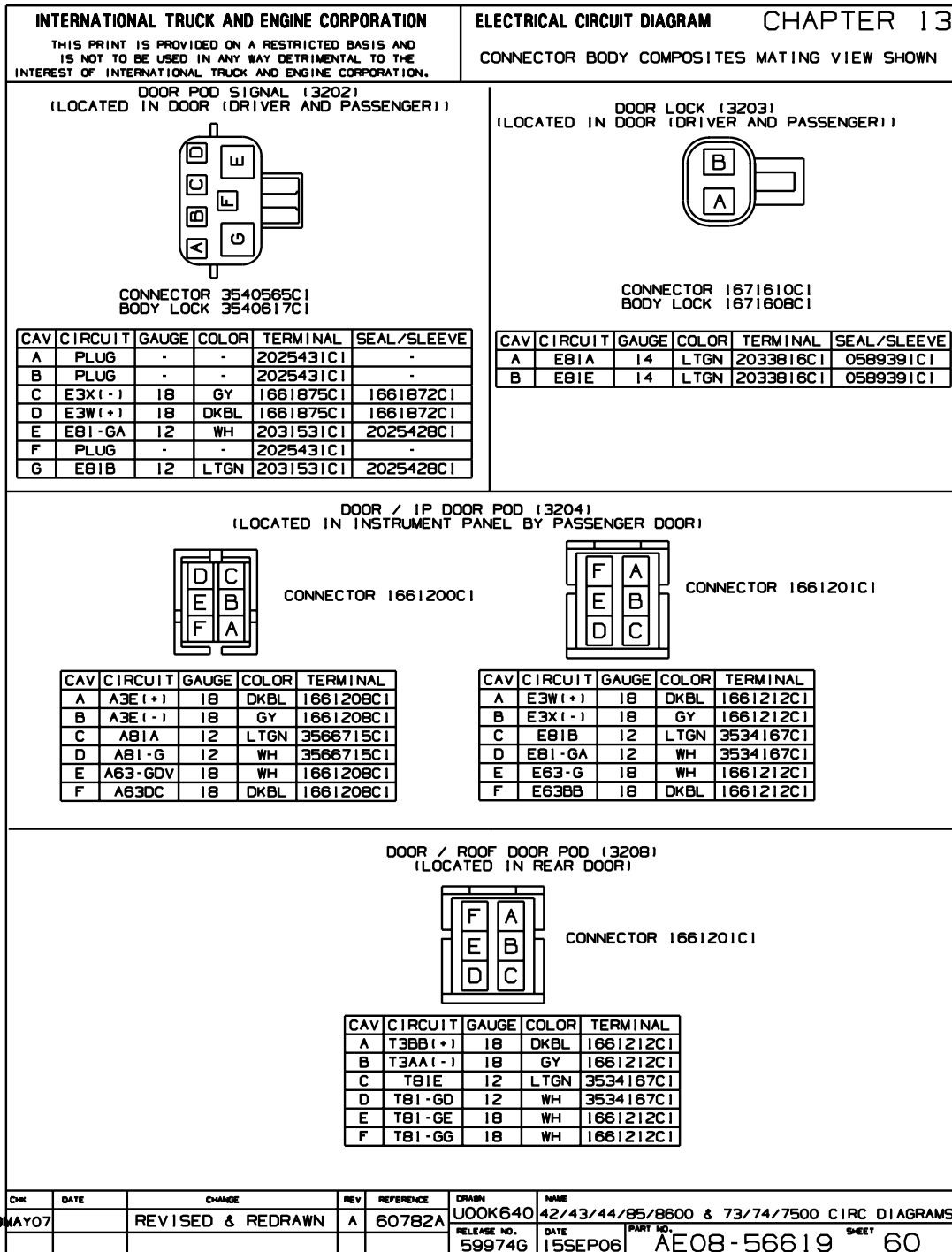


Figure 276 Connector Composites (3202), (3203), (3204), (3208)

13.65. CONNECTOR COMPOSITES (3209), (3210), (3211), (3400), (4003), (4004), P. 61

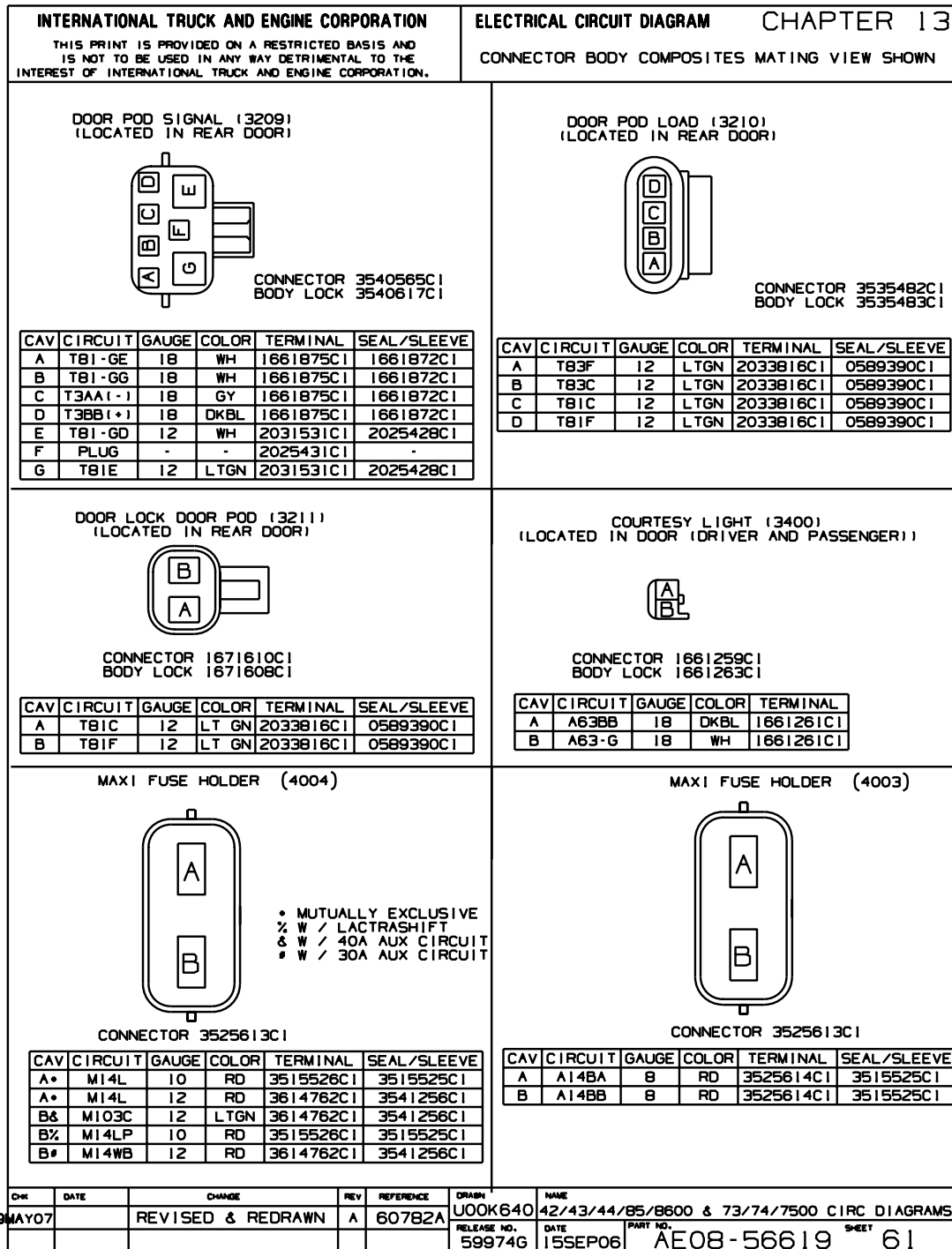


Figure 277 Connector Composites (3209), (3210), (3211), (3400), (4003), (4004)

13.66. CONNECTOR COMPOSITES (4017), (4018), (4019), (4021), (4022), (4037), (4038), (4070), (4071), P. 62

INTERNATIONAL TRUCK AND ENGINE CORPORATION				ELECTRICAL CIRCUIT DIAGRAM CHAPTER 13			
THIS PRINT IS PROVIDED ON A RESTRICTED BASIS AND IS NOT TO BE USED IN ANY WAY DETRIMENTAL TO THE INTEREST OF INTERNATIONAL TRUCK AND ENGINE CORPORATION.				CONNECTOR BODY COMPOSITES MATING VIEW SHOWN			
HVAC RECIRC MOTOR (4017) (LOCATED UNDER HOOD)							
CONNECTOR 2011340C1 BODY LOCK 2011364C1							
		CAV		CIRCUIT	GAUGE	COLOR	TERMINAL SEAL/SLEEVE
		A		A74D	1B	LT GN	1661875C1 3568570C1
		B		PLUG	-	-	2025431C1 -
		C		PLUG	-	-	2025431C1 -
		D		PLUG	-	-	2025431C1 -
		E		PLUG	-	-	2025431C1 -
		F		A74E	1B	LT GN	1661875C1 3568570C1
A/C ACCUM THERMISTOR-2 (4018) (LOCATED ON DASH PANEL RIGHT SIDE)				A/C ACCUM THERMISTOR-1 (4019) (LOCATED ON DASH PANEL RIGHT SIDE)			
CONNECTOR 3535379C1				CONNECTOR 3535379C1			
		CAV		CIRCUIT	GAUGE	COLOR	TERMINAL
		A		A77E	20	LTGN	3536590C1
		B		A9AC	20	GY	3536590C1
WASHER PUMP (4021) (LOCATED ON FRONT SIDE OF WASHER BOTTLE ON LEFT FRAME RAIL)				WASHER FLUID LEVEL SENSOR (4022) (LOCATED ON OUTBOARD SIDE OF WASHER BOTTLE ON LEFT FRAME RAIL)			
CONNECTOR 3536864C1				CONNECTOR 3554317C1			
		CAV		CIRCUIT	GAUGE	COLOR	TERMINAL SEAL/SLEEVE
		1		M87KA	16	GY	3561584C1 3536868C1
		2		M87BA	18	GY	3561584C1 3536868C1
HYD BRAKE LIGHT SWITCH (4037) (LOCATED ON EXTERIOR DASH NEAR DCM)				HYD BRAKES FLUID LEVEL SENSOR (4038) (LOCATED ON EXTERIOR DASH NEAR DCM)			
CONNECTOR 3522187C1				CONNECTOR 2036583C1			
		CAV		CIRCUIT	GAUGE	COLOR	TERMINAL SEAL/SLEEVE
		1		M90B	18	GY	3522190C1 3522193C1
		2		M94BF	18	GY	3522190C1 3522193C1
		3		PLUG	-	-	3522197C1 -
PRESSURE SWITCH (4070) (LOCATED ON EXTERIOR DASH NEAR IP / FWD PASSTHRU)				DUMP SOLENOID (4071) (LOCATED ON EXTERIOR DASH NEAR IP / FORWARD PASSTHRU)			
CONNECTOR 1661777C1 BODY LOCK 1661873C1				CONNECTOR 1671610C1 BODY LOCK 1671608C1			
		CAV		CIRCUIT	GAUGE	COLOR	TERMINAL SEAL/SLEEVE
		A		PLUG	-	-	2025431C1 -
		B		PLUG	-	-	2025431C1 -
		C		M44J	18	GY	1661875C1 1661872C1
		D		M44K	18	GY	1661875C1 1661872C1
		CAV		CIRCUIT	GAUGE	COLOR	TERMINAL SEAL/SLEEVE
		A		M44K	18	GY	2033819C1 1652325C1
		B		M44L	18	GY	2033819C1 1652325C1
Chg	DATE	CHANGE	REV	REFERENCE	DRAWN	NAME	
0	MAY07	REVISED & REDRAWN	A	60782A	U00K640	42/43/44/85/8600 & 73/74/7500 CIRC DIAGRAMS	
					RELEASE NO. 59974G	DATE 15SEP06	PART NO. AE08-56619 SHEET 62

Figure 278 Connector Composites (4017), (4018), (4019), (4021), (4022), (4037), (4038), (4070), (4071)

13.67. CONNECTOR COMPOSITES (4087), (4087A), (4111M), (4120), (4320), P. 63

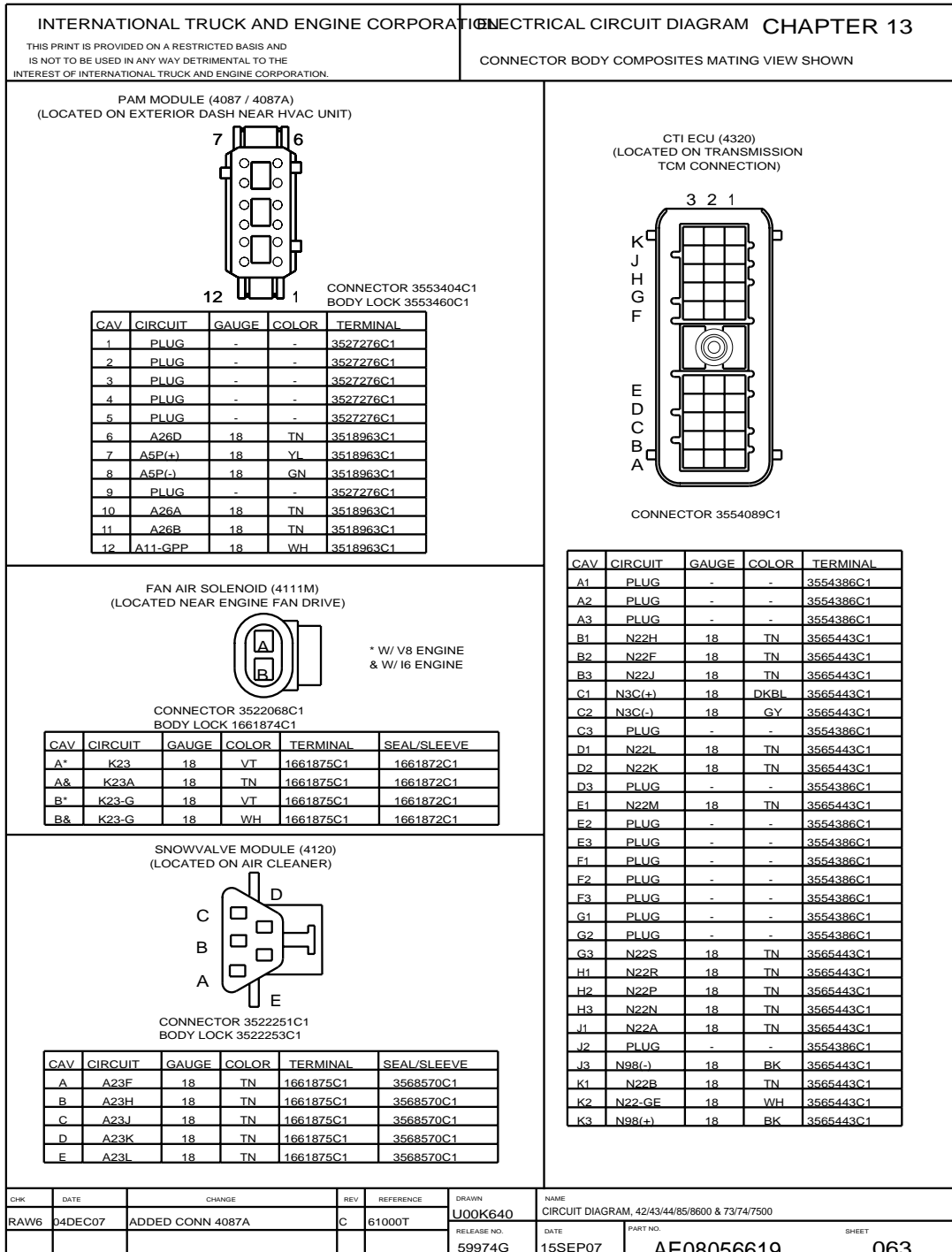


Figure 279 Connector Composites (4087), (4087A), (4111M), (4120), (4320)

13.68. CONNECTOR COMPOSITES (4321), (4322), (4323), (4410D), (4410E), (4410F),
 P. 64

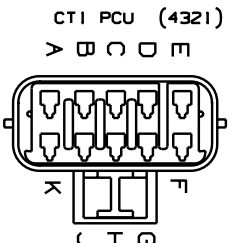

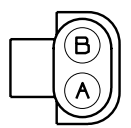
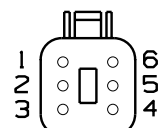
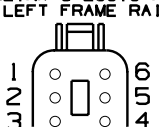
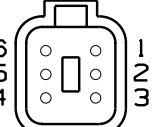
<p>INTERNATIONAL TRUCK AND ENGINE CORPORATION THIS PRINT IS PROVIDED ON A RESTRICTED BASIS AND IS NOT TO BE USED IN ANY WAY DETRIMENTAL TO THE INTEREST OF INTERNATIONAL TRUCK AND ENGINE CORPORATION.</p>	<p>ELECTRICAL CIRCUIT DIAGRAM CHAPTER 13 CONNECTOR BODY COMPOSITES MATING VIEW SHOWN</p>																																																																																															
<p>CTI PCU (4321)  CONNECTOR 3538635C1 BODY LOCK 3538636C1</p> <table border="1" style="width:100%; border-collapse: collapse;"> <thead> <tr> <th>CAV</th> <th>CIRCUIT</th> <th>GAUGE</th> <th>COLOR</th> <th>TERMINAL</th> <th>SEAL/SLEEVE</th> </tr> </thead> <tbody> <tr><td>A</td><td>N22-GB</td><td>18</td><td>WH</td><td>1661875C1</td><td>1661872C1</td></tr> <tr><td>B</td><td>N22F</td><td>18</td><td>TN</td><td>1661875C1</td><td>1661872C1</td></tr> <tr><td>C</td><td>N22H</td><td>18</td><td>TN</td><td>1661875C1</td><td>1661872C1</td></tr> <tr><td>D</td><td>N22J</td><td>18</td><td>TN</td><td>1661875C1</td><td>1661872C1</td></tr> <tr><td>E</td><td>N22K</td><td>18</td><td>TN</td><td>1661875C1</td><td>1661872C1</td></tr> <tr><td>F</td><td>N22-GC</td><td>18</td><td>WH</td><td>1661875C1</td><td>1661872C1</td></tr> <tr><td>G</td><td>N22L</td><td>18</td><td>TN</td><td>1661875C1</td><td>1661872C1</td></tr> <tr><td>H</td><td>N22-GD</td><td>18</td><td>WH</td><td>1661875C1</td><td>1661872C1</td></tr> <tr><td>J</td><td>PLUG</td><td>-</td><td>-</td><td>2025431C1</td><td>-</td></tr> <tr><td>K</td><td>N22M</td><td>18</td><td>TN</td><td>1661875C1</td><td>1661872C1</td></tr> </tbody> </table>	CAV	CIRCUIT	GAUGE	COLOR	TERMINAL	SEAL/SLEEVE	A	N22-GB	18	WH	1661875C1	1661872C1	B	N22F	18	TN	1661875C1	1661872C1	C	N22H	18	TN	1661875C1	1661872C1	D	N22J	18	TN	1661875C1	1661872C1	E	N22K	18	TN	1661875C1	1661872C1	F	N22-GC	18	WH	1661875C1	1661872C1	G	N22L	18	TN	1661875C1	1661872C1	H	N22-GD	18	WH	1661875C1	1661872C1	J	PLUG	-	-	2025431C1	-	K	N22M	18	TN	1661875C1	1661872C1	<p>CTI PCU TRANSDUCER (4322)  CONNECTOR 1667741C1 BODY LOCK 1667771C1</p> <table border="1" style="width:100%; border-collapse: collapse;"> <thead> <tr> <th>CAV</th> <th>CIRCUIT</th> <th>GAUGE</th> <th>COLOR</th> <th>TERMINAL</th> <th>SEAL/SLEEVE</th> </tr> </thead> <tbody> <tr><td>A</td><td>N14N</td><td>18</td><td>TN</td><td>1661875C1</td><td>1661872C1</td></tr> <tr><td>B</td><td>N22P</td><td>18</td><td>TN</td><td>1661875C1</td><td>1661872C1</td></tr> <tr><td>C</td><td>N22R</td><td>18</td><td>TN</td><td>1661875C1</td><td>1661872C1</td></tr> </tbody> </table>	CAV	CIRCUIT	GAUGE	COLOR	TERMINAL	SEAL/SLEEVE	A	N14N	18	TN	1661875C1	1661872C1	B	N22P	18	TN	1661875C1	1661872C1	C	N22R	18	TN	1661875C1	1661872C1					
CAV	CIRCUIT	GAUGE	COLOR	TERMINAL	SEAL/SLEEVE																																																																																											
A	N22-GB	18	WH	1661875C1	1661872C1																																																																																											
B	N22F	18	TN	1661875C1	1661872C1																																																																																											
C	N22H	18	TN	1661875C1	1661872C1																																																																																											
D	N22J	18	TN	1661875C1	1661872C1																																																																																											
E	N22K	18	TN	1661875C1	1661872C1																																																																																											
F	N22-GC	18	WH	1661875C1	1661872C1																																																																																											
G	N22L	18	TN	1661875C1	1661872C1																																																																																											
H	N22-GD	18	WH	1661875C1	1661872C1																																																																																											
J	PLUG	-	-	2025431C1	-																																																																																											
K	N22M	18	TN	1661875C1	1661872C1																																																																																											
CAV	CIRCUIT	GAUGE	COLOR	TERMINAL	SEAL/SLEEVE																																																																																											
A	N14N	18	TN	1661875C1	1661872C1																																																																																											
B	N22P	18	TN	1661875C1	1661872C1																																																																																											
C	N22R	18	TN	1661875C1	1661872C1																																																																																											
<p>PRESSURE SWITCH (4323)  CONNECTOR 0587568C91</p> <table border="1" style="width:100%; border-collapse: collapse;"> <thead> <tr> <th>CAV</th> <th>CIRCUIT</th> <th>GAUGE</th> <th>COLOR</th> <th>TERMINAL</th> <th>SEAL/SLEEVE</th> </tr> </thead> <tbody> <tr><td>A</td><td>N22-S</td><td>18</td><td>TN</td><td>0587576C1</td><td>1652325C1</td></tr> <tr><td>B</td><td>N22-GF</td><td>18</td><td>WH</td><td>0587576C1</td><td>1652325C1</td></tr> </tbody> </table>	CAV	CIRCUIT	GAUGE	COLOR	TERMINAL	SEAL/SLEEVE	A	N22-S	18	TN	0587576C1	1652325C1	B	N22-GF	18	WH	0587576C1	1652325C1	<p>REMOTE POWER MODULE DATALINK & LOGIC POWER (4410D) (LOCATED NEAR LEFT FRAME RAIL BACK OF CAB)</p>  CONNECTOR 3572899C1 BODY LOCK 2005242C1 <table border="1" style="width:100%; border-collapse: collapse;"> <thead> <tr> <th>CAV</th> <th>CIRCUIT</th> <th>GAUGE</th> <th>COLOR</th> <th>TERMINAL</th> </tr> </thead> <tbody> <tr><td>1</td><td>PLUG</td><td>-</td><td>-</td><td>0453133C1</td></tr> <tr><td>2</td><td>N10-GR</td><td>14</td><td>WH</td><td>2034787C1</td></tr> <tr><td>3</td><td>N5E(+)</td><td>18</td><td>YL</td><td>1680205C1</td></tr> <tr><td>4</td><td>N5E(-)</td><td>18</td><td>GN</td><td>1680205C1</td></tr> <tr><td>5</td><td>PLUG</td><td>-</td><td>-</td><td>0453133C1</td></tr> <tr><td>6</td><td>N20</td><td>16</td><td>LTGN</td><td>1680205C1</td></tr> </tbody> </table>	CAV	CIRCUIT	GAUGE	COLOR	TERMINAL	1	PLUG	-	-	0453133C1	2	N10-GR	14	WH	2034787C1	3	N5E(+)	18	YL	1680205C1	4	N5E(-)	18	GN	1680205C1	5	PLUG	-	-	0453133C1	6	N20	16	LTGN	1680205C1																																										
CAV	CIRCUIT	GAUGE	COLOR	TERMINAL	SEAL/SLEEVE																																																																																											
A	N22-S	18	TN	0587576C1	1652325C1																																																																																											
B	N22-GF	18	WH	0587576C1	1652325C1																																																																																											
CAV	CIRCUIT	GAUGE	COLOR	TERMINAL																																																																																												
1	PLUG	-	-	0453133C1																																																																																												
2	N10-GR	14	WH	2034787C1																																																																																												
3	N5E(+)	18	YL	1680205C1																																																																																												
4	N5E(-)	18	GN	1680205C1																																																																																												
5	PLUG	-	-	0453133C1																																																																																												
6	N20	16	LTGN	1680205C1																																																																																												
<p>REMOTE POWER MODULE (4410E) DATALINK & LOGIC POWER (LOCATED NEAR LEFT FRAME RAIL BACK OF CAB)</p>  CONNECTOR 3572899C1 BODY LOCK 2005242C1 <table border="1" style="width:100%; border-collapse: collapse;"> <thead> <tr> <th>CAV</th> <th>CIRCUIT</th> <th>GAUGE</th> <th>COLOR</th> <th>TERMINAL</th> </tr> </thead> <tbody> <tr><td>1</td><td>PLUG</td><td>-</td><td>-</td><td>0453133C1</td></tr> <tr><td>2</td><td>N10-GP</td><td>14</td><td>WH</td><td>2034787C1</td></tr> <tr><td>3</td><td>N5F(+)</td><td>18</td><td>YL</td><td>3572625C1</td></tr> <tr><td>4</td><td>N5F(-)</td><td>18</td><td>GN</td><td>3572625C1</td></tr> <tr><td>5</td><td>PLUG</td><td>-</td><td>-</td><td>0453133C1</td></tr> <tr><td>6</td><td>N20A</td><td>16</td><td>LTGN</td><td>1680205C1</td></tr> </tbody> </table>	CAV	CIRCUIT	GAUGE	COLOR	TERMINAL	1	PLUG	-	-	0453133C1	2	N10-GP	14	WH	2034787C1	3	N5F(+)	18	YL	3572625C1	4	N5F(-)	18	GN	3572625C1	5	PLUG	-	-	0453133C1	6	N20A	16	LTGN	1680205C1	<p>REMOTE POWER MODULE DATALINK & LOGIC POWER (4410F)</p>  CONNECTOR 3572900C1 BODY LOCK 2005243C1 • FOR AIR SOLENOID <table border="1" style="width:100%; border-collapse: collapse;"> <thead> <tr> <th>CAV</th> <th>CIRCUIT</th> <th>GAUGE</th> <th>COLOR</th> <th>TERMINAL</th> </tr> </thead> <tbody> <tr><td>1</td><td>R59</td><td>14</td><td>GY</td><td>2034788C1</td></tr> <tr><td>1*</td><td>R59C</td><td>14</td><td>GY</td><td>2034788C1</td></tr> <tr><td>2</td><td>R10-GPM</td><td>14</td><td>WH</td><td>2034788C1</td></tr> <tr><td>2*</td><td>R10-GPN</td><td>14</td><td>WH</td><td>2034788C1</td></tr> <tr><td>3</td><td>R1(+)</td><td>18</td><td>YL</td><td>3572626C1</td></tr> <tr><td>3*</td><td>R1A(+)</td><td>18</td><td>YL</td><td>3572626C1</td></tr> <tr><td>4</td><td>R1(-)</td><td>18</td><td>GN</td><td>3572626C1</td></tr> <tr><td>4*</td><td>R1A(-)</td><td>18</td><td>GN</td><td>3572626C1</td></tr> <tr><td>5</td><td>PLUG</td><td>-</td><td>-</td><td>0453133C1</td></tr> <tr><td>6</td><td>R14</td><td>16</td><td>RD</td><td>1680206C1</td></tr> <tr><td>6*</td><td>R14D</td><td>16</td><td>RD</td><td>1680206C1</td></tr> </tbody> </table>	CAV	CIRCUIT	GAUGE	COLOR	TERMINAL	1	R59	14	GY	2034788C1	1*	R59C	14	GY	2034788C1	2	R10-GPM	14	WH	2034788C1	2*	R10-GPN	14	WH	2034788C1	3	R1(+)	18	YL	3572626C1	3*	R1A(+)	18	YL	3572626C1	4	R1(-)	18	GN	3572626C1	4*	R1A(-)	18	GN	3572626C1	5	PLUG	-	-	0453133C1	6	R14	16	RD	1680206C1	6*	R14D	16	RD	1680206C1
CAV	CIRCUIT	GAUGE	COLOR	TERMINAL																																																																																												
1	PLUG	-	-	0453133C1																																																																																												
2	N10-GP	14	WH	2034787C1																																																																																												
3	N5F(+)	18	YL	3572625C1																																																																																												
4	N5F(-)	18	GN	3572625C1																																																																																												
5	PLUG	-	-	0453133C1																																																																																												
6	N20A	16	LTGN	1680205C1																																																																																												
CAV	CIRCUIT	GAUGE	COLOR	TERMINAL																																																																																												
1	R59	14	GY	2034788C1																																																																																												
1*	R59C	14	GY	2034788C1																																																																																												
2	R10-GPM	14	WH	2034788C1																																																																																												
2*	R10-GPN	14	WH	2034788C1																																																																																												
3	R1(+)	18	YL	3572626C1																																																																																												
3*	R1A(+)	18	YL	3572626C1																																																																																												
4	R1(-)	18	GN	3572626C1																																																																																												
4*	R1A(-)	18	GN	3572626C1																																																																																												
5	PLUG	-	-	0453133C1																																																																																												
6	R14	16	RD	1680206C1																																																																																												
6*	R14D	16	RD	1680206C1																																																																																												
<table border="1" style="width:100%; border-collapse: collapse;"> <tr> <th>CHK</th> <th>DATE</th> <th>CHANGE</th> <th>REV</th> <th>REFERENCE</th> <th>DRAWN</th> <th>NAME</th> </tr> <tr> <td>0</td> <td>MAY07</td> <td>REVISED & REDRAWN</td> <td>A</td> <td>60782A</td> <td>U00K640</td> <td>42/43/44/85/8600 & 73/74/7500 CIRC DIAGRAMS</td> </tr> </table>	CHK	DATE	CHANGE	REV	REFERENCE	DRAWN	NAME	0	MAY07	REVISED & REDRAWN	A	60782A	U00K640	42/43/44/85/8600 & 73/74/7500 CIRC DIAGRAMS	<table border="1" style="width:100%; border-collapse: collapse;"> <tr> <th>RELEASE NO.</th> <th>DATE</th> <th>PART NO.</th> <th>SHEET</th> </tr> <tr> <td>59974G</td> <td>15SEP06</td> <td>AE08-56619</td> <td>64</td> </tr> </table>	RELEASE NO.	DATE	PART NO.	SHEET	59974G	15SEP06	AE08-56619	64																																																																									
CHK	DATE	CHANGE	REV	REFERENCE	DRAWN	NAME																																																																																										
0	MAY07	REVISED & REDRAWN	A	60782A	U00K640	42/43/44/85/8600 & 73/74/7500 CIRC DIAGRAMS																																																																																										
RELEASE NO.	DATE	PART NO.	SHEET																																																																																													
59974G	15SEP06	AE08-56619	64																																																																																													

Figure 280 Connector Composites (4321), (4322), (4323), (4410D), (4410E), (4410F)

13.69. CONNECTOR COMPOSITES (4410H), (4410K), (4410L), (4410M), P. 65

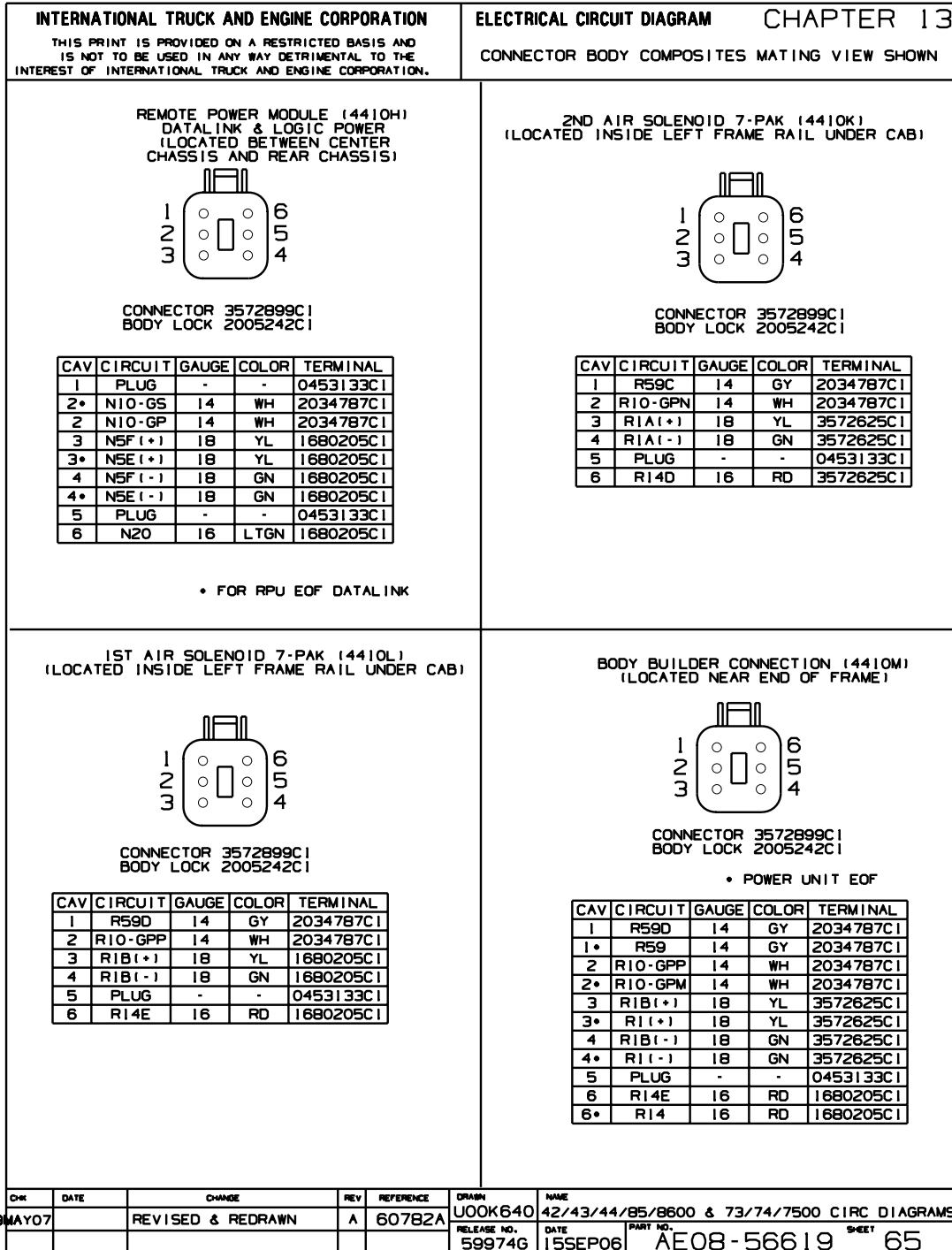
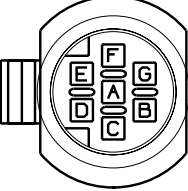


Figure 281 Connector Composites (4410H), (4410K), (4410L), (4410M)

13.70. CONNECTOR COMPOSITES (4450AM), (4450M), (4460AM), (4460BF), P. 66

INTERNATIONAL TRUCK AND ENGINE CORPORATION		ELECTRICAL CIRCUIT DIAGRAM		CHAPTER 13	
THIS PRINT IS PROVIDED ON A RESTRICTED BASIS AND IS NOT TO BE USED IN ANY WAY DETRIMENTAL TO THE INTEREST OF INTERNATIONAL TRUCK AND ENGINE CORPORATION.		CONNECTOR BODY COMPOSITES MATING VIEW SHOWN			

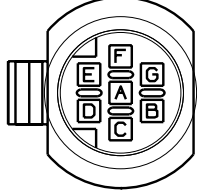
BODY BUILDER CONNECTION (4450AM)
 (LOCATED BETWEEN CENTER CHASSIS AND REAR CHASSIS)



CONNECTOR 2039311C1
 BODY LOCK 2039342C1

CAV	CIRCUIT	GAUGE	COLOR	TERMINAL	SEAL/SLEEVE
A	N68BB	14	BN	3535486C1	0589391C1
B	N56BB	16	YL	2039343C1	1652325C1
C	N57BB	16	LTGN	2039343C1	1652325C1
D	N54BB	14	BN	3535486C1	0589391C1
E	N71BB	16	LTBL	2039343C1	1652325C1
F	N12BB	14	LTBL	3535486C1	0589391C1
G	N11-GBB	12	WH	2039344C1	0589390C1

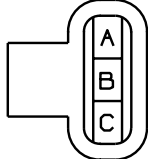
BODY BUILDER CONNECTION (4450M)
 (LOCATED NEAR LEFT FRAME RAIL BACK OF CAB)



CONNECTOR 2039311C91
 BODY LOCK 2039342C1

CAV	CIRCUIT	GAUGE	COLOR	TERMINAL	SEAL/SLEEVE
A	N68BB	14	BN	3535486C1	0589391C1
B	N56BB	16	YL	2039343C1	1652325C1
C	N57BB	16	LTGN	2039343C1	1652325C1
D	N54BB	14	BN	3535486C1	0589391C1
E	N71BB	16	LTBL	2039343C1	1652325C1
F	N12BB	14	LTBL	3535486C1	0589391C1
G	N11-GD	12	WH	2039344C1	0589390C1

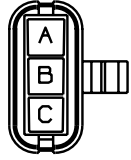
BODY BUILDER TURN / STOP (4460AM)
 (LOCATED BETWEEN CENTER CHASSIS AND REAR CHASSIS)



CONNECTOR 1686834C1
 BODY LOCK 1664408C1

CAV	CIRCUIT	GAUGE	COLOR	TERMINAL	SEAL/SLEEVE
A	N56BC	16	YL	2033819C1	1652325C1
B	N57BC	16	LTGN	2033819C1	1652325C1
C	N70BB	14	RD	2033816C1	0589391C1

BODY BUILDER TURN / STOP (4460BF)
 (LOCATED AT MAIN CHASSIS TO REAR CHASSIS INTERCONNECT)



CONNECTOR 3553961C1
 BODY LOCK 3554019C1

CAV	CIRCUIT	GAUGE	COLOR	TERMINAL	SEAL/SLEEVE
A	R56BC	16	OR	2033911C1	1652325C1
B	R57BC	16	OR	2033911C1	1652325C1
C	R70BB	14	OR	2033912C1	0589391C1

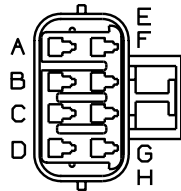
CHK	DATE	CHANGE	REV	REFERENCE	DRAWN	NAME
9	MAY07	REVISED & REDRAWN	A	60782A	U00K640	42/43/44/85/8600 & 73/74/7500 CIRC DIAGRAMS
					RELEASE NO. 59974G	DATE 15SEP06 PART NO. AE08-56619 SHEET 66

Figure 282 Connector Composites (4450AM), (4450M), (4460AM), (4460BF)

13.72. CONNECTOR COMPOSITES (4906), (4950), (4951), (5117), P. 68

<p>INTERNATIONAL TRUCK AND ENGINE CORPORATION</p> <p>THIS PRINT IS PROVIDED ON A RESTRICTED BASIS AND IS NOT TO BE USED IN ANY WAY DETRIMENTAL TO THE INTEREST OF INTERNATIONAL TRUCK AND ENGINE CORPORATION.</p>	<p>ELECTRICAL CIRCUIT DIAGRAM CHAPTER 13</p> <p>CONNECTOR BODY COMPOSITES MATING VIEW SHOWN</p>
--------------------------------------------------------------------------------------------------------------------------------------------------------------------------------------------------------------------------	--------------------------------------------------------------------------------------------------------------------


WHEEL CHAIR INERLOCK (4906)
 (LOCATED ON EXTERIOR DASH NEAR IP / FORWARD PASSTHRU)



CONNECTOR 3525872C1
 BODY LOCK 3525873C1

CAV	CIRCUIT	GAUGE	COLOR	TERMINAL	SEAL/SLEEVE
A	M44W	16	WH	1661875C1	3568570C1
B	M92#101	18	TN	1661875C1	3568570C1
C	PLUG	-	-	202543C1	-
D	M92#103	18	TN	1661875C1	3568570C1
E	M11-GW	16	WH	1661875C1	3568570C1
F	PLUG	-	-	202543C1	-
G	M89AR	18	PK	1661875C1	3568570C1
H	M89CE	18	PL	1661875C1	3568570C1

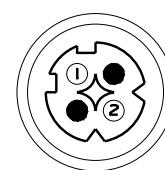
BENDIX AUTO TRACTION CONTROL (4950)
 (LOCATED AT END OF FRAME AT REAR AXLE)



CONNECTOR 3518183C1
 BODY LOCK 3518174C1

CAV	CIRCUIT	GAUGE	COLOR	TERMINAL
1	R94BD	16	BN	3518961C1
2	R94BE	16	YL	3518961C1

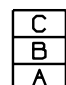
WABCO AUTO TRACTION CONTROL (4951)
 (LOCATED AT END OF FRAME AT REAR AXLE)



CONNECTOR 3567225C1


CAV	CIRCUIT	GAUGE	COLOR	TERMINAL
1	[R94WX]	18	BN	ASSY
2	[R94WZ]	18	BL	ASSY

AIR SHIELD LIGHT CONNECTOR (5117)
 (LOCATED IN UPPER RIGHT REAR ROOF)



CONNECTOR 1661891C1
 BODY LOCK 1661892C1

CAV	CIRCUIT	GAUGE	COLOR	TERMINAL
A	BK	18	BK	1661262C1
B	WH	18	WH	1661262C1
C	-	-	-	-



CONNECTOR 1661889C1
 BODY LOCK 1661890C1

CAV	CIRCUIT	GAUGE	COLOR	TERMINAL
A	BK	18	BK	1661261C1
B	WH	18	WH	1661261C1
C	-	-	-	-

CHK	DATE	CHANGE	REV	REFERENCE	DRAWN	NAME
9	MAY07	REVISED & REDRAWN	A	60782A	U00K640	42/43/44/85/8600 & 73/74/7500 CIRC DIAGRAMS
					RELEASE NO. 59974G	DATE 15SEP06 PART NO. AE08-56619 SHEET 68

Figure 284 Connector Composites (4906), (4950), (4951), (5117)

13.73. CONNECTOR COMPOSITES (6000), (6001), P. 69

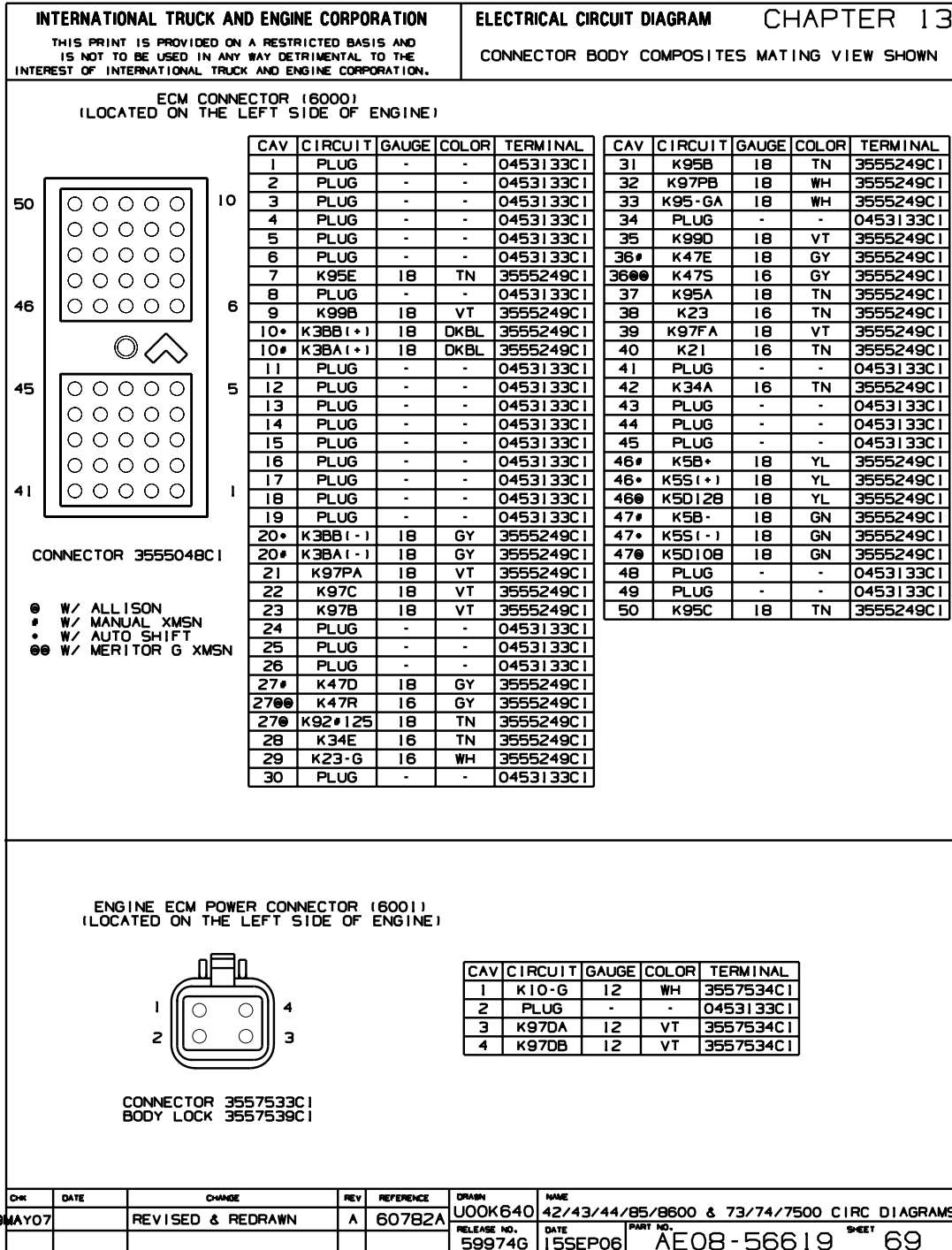


Figure 285 Connector Composites (6000), (6001)

13.74. CONNECTOR COMPOSITES (6010), (6011), P. 70

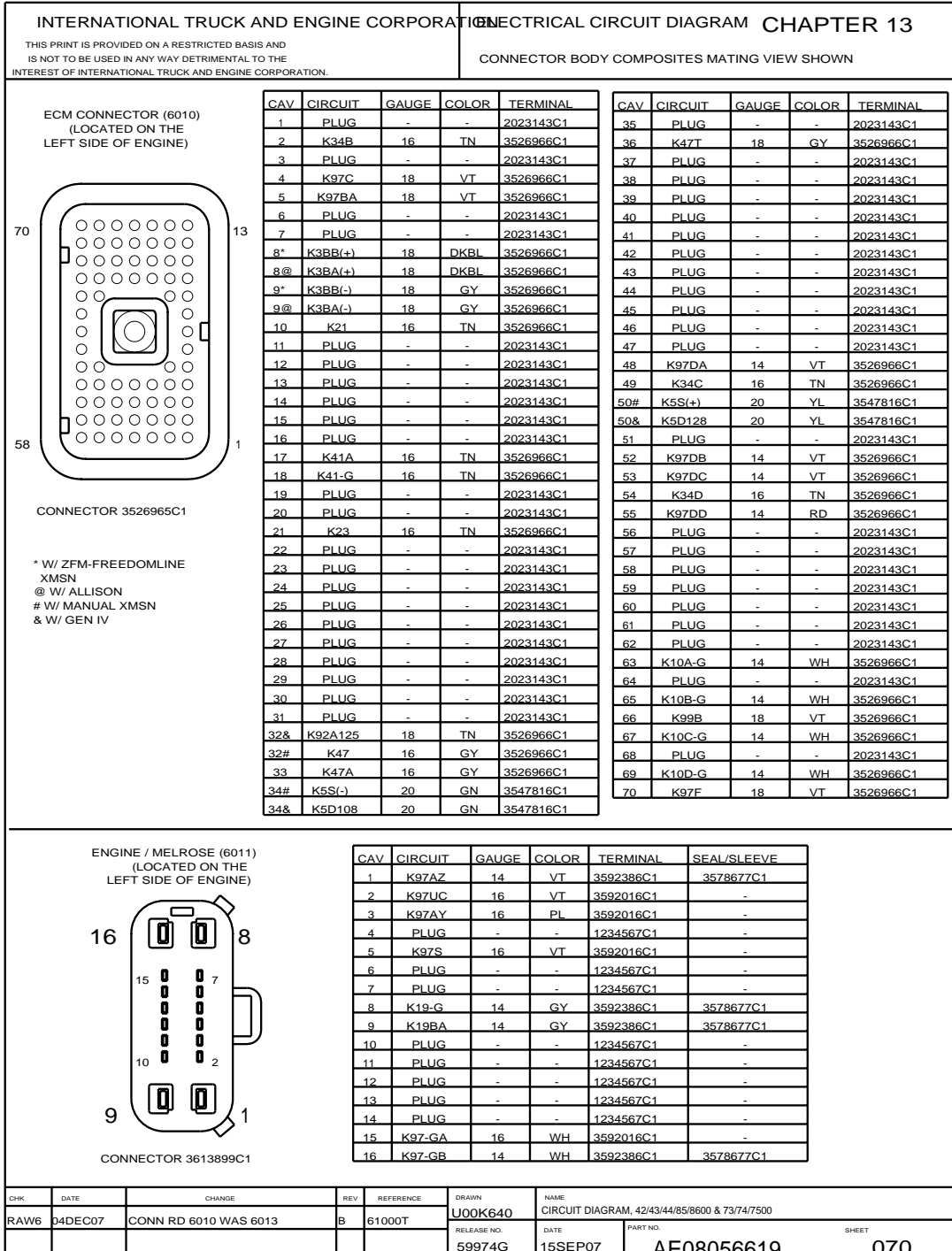


Figure 286 Connector Composites (6010), (6011)

13.75. CONNECTOR COMPOSITES (6020M), P. 71

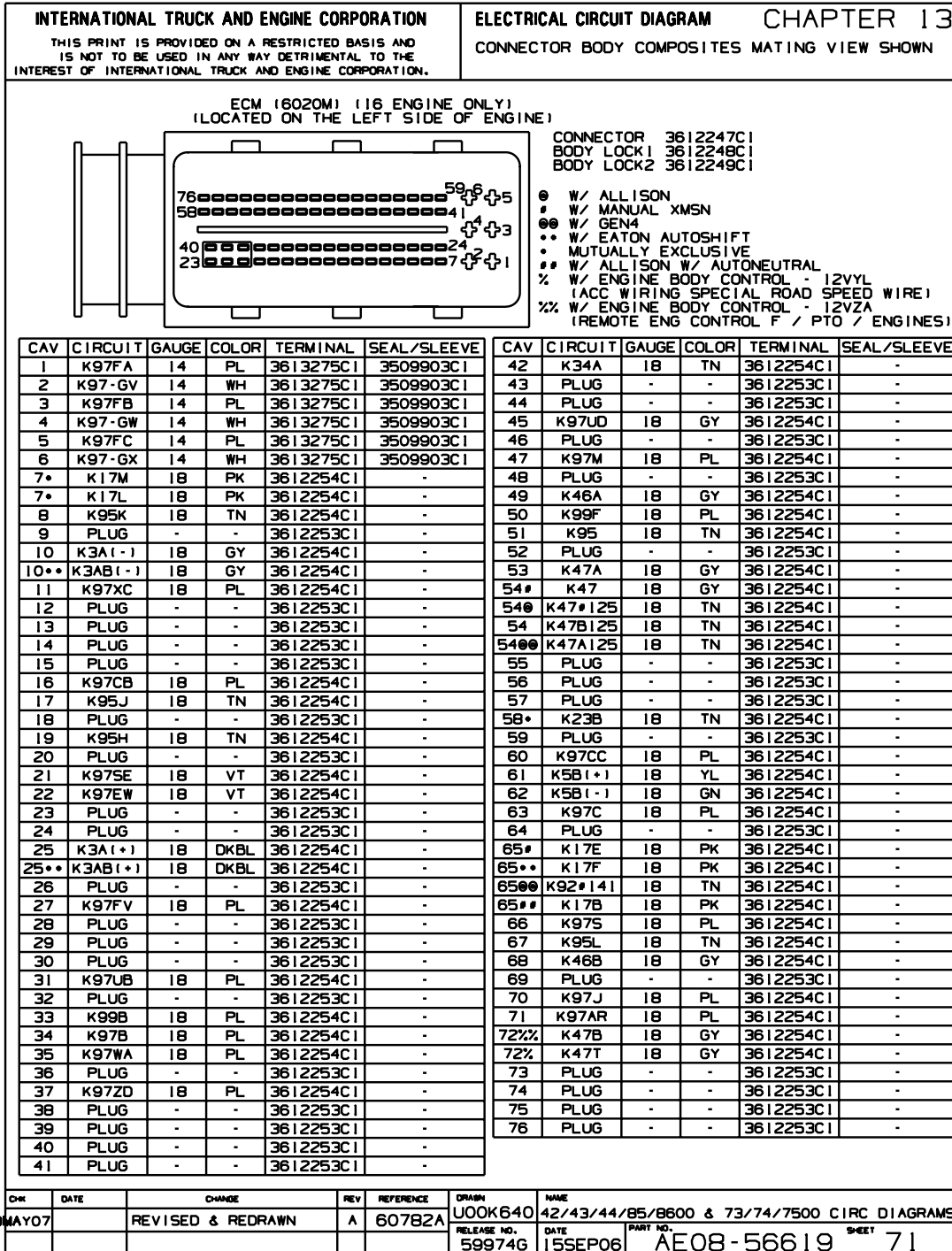


Figure 287 Connector Composites (6020M)

13.76. CONNECTOR COMPOSITES (6020), P. 72

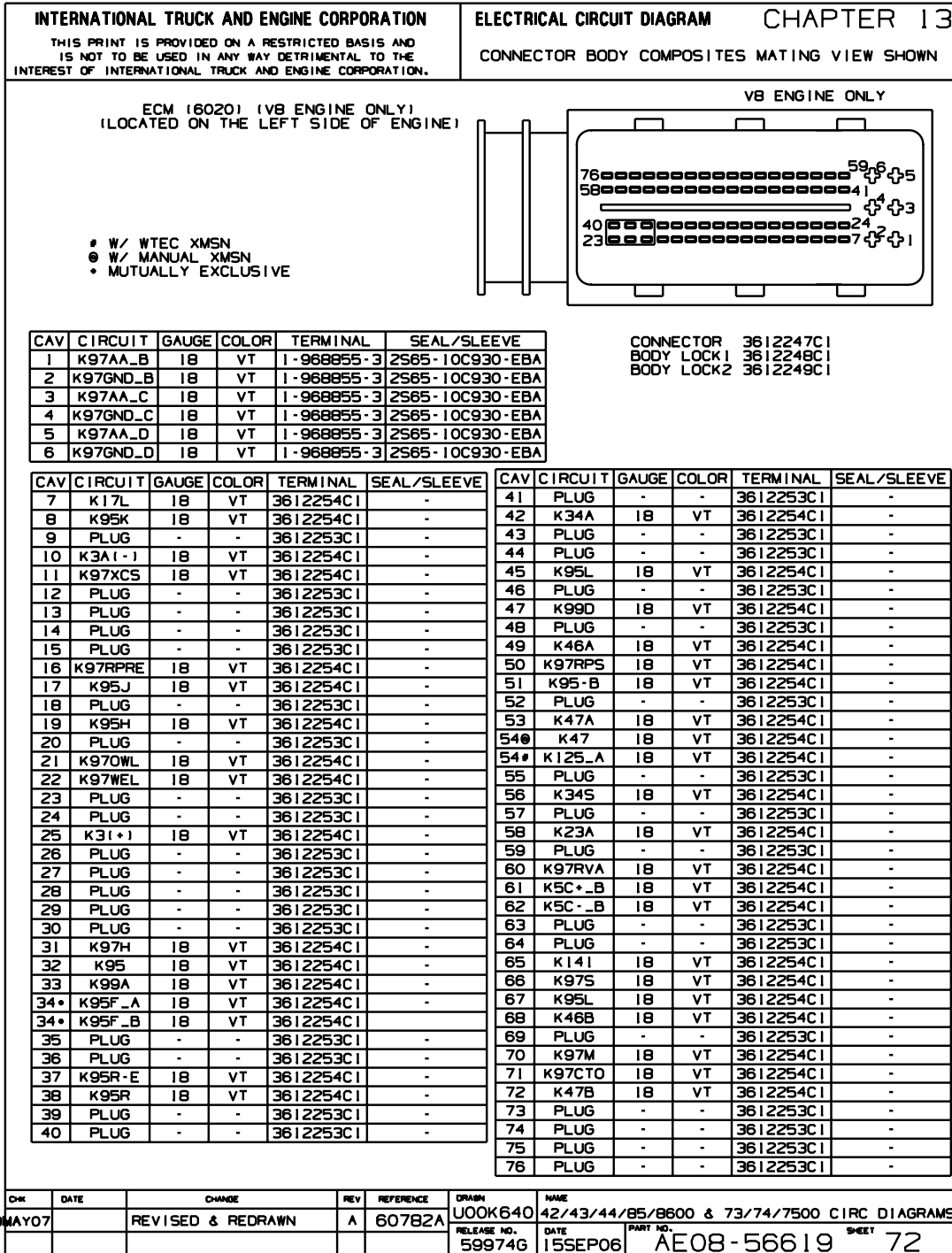


Figure 288 Connector Composites (6020)

13.77. CONNECTOR COMPOSITES (6022), (6023), P. 73

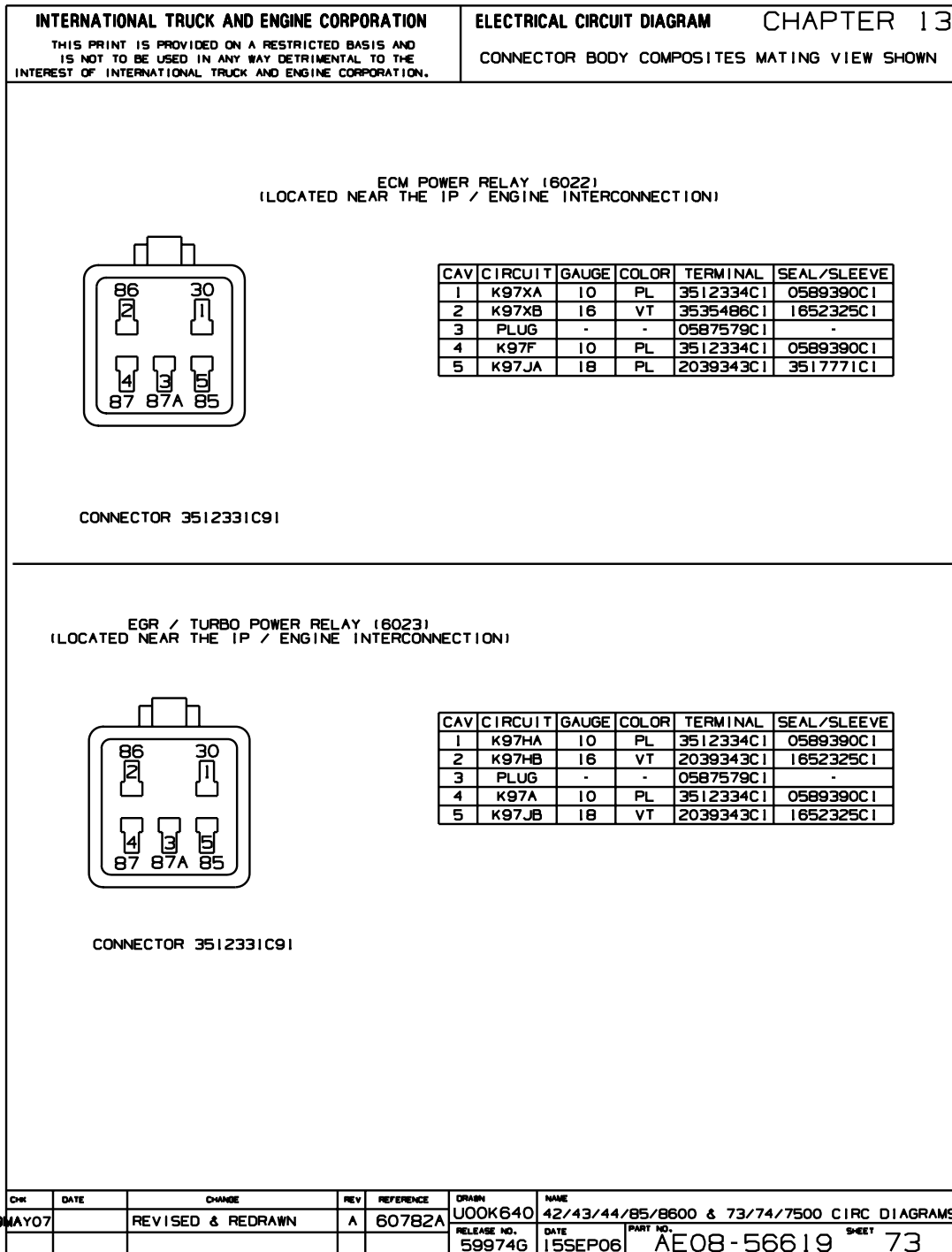


Figure 289 Connector Composites (6022), (6023)

13.78. CONNECTOR COMPOSITES (6200), (6201), (6259), (6260), P. 74

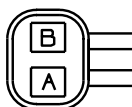
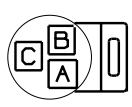
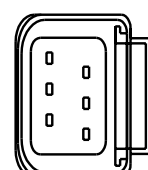
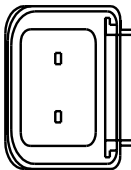
INTERNATIONAL TRUCK AND ENGINE CORPORATION <small>THIS PRINT IS PROVIDED ON A RESTRICTED BASIS AND IS NOT TO BE USED IN ANY WAY DETRIMENTAL TO THE INTEREST OF INTERNATIONAL TRUCK AND ENGINE CORPORATION.</small>		ELECTRICAL CIRCUIT DIAGRAM CHAPTER 13 CONNECTOR BODY COMPOSITES MATING VIEW SHOWN																																																						
FREON COMPRESSOR (6200) (LOCATED ON A/C COMPRESSOR FRONT RIGHT SIDE OF ENGINE)																																																								
	<table border="1" style="width:100%; border-collapse: collapse;"> <thead> <tr> <th>CAV</th> <th>CIRCUIT</th> <th>GAUGE</th> <th>COLOR</th> <th>TERMINAL</th> <th>SEAL/SLEEVE</th> </tr> </thead> <tbody> <tr> <td>A</td> <td>K77-G</td> <td>16</td> <td>WH</td> <td>2033B19C1</td> <td>1652325C1</td> </tr> <tr> <td>B</td> <td>K77</td> <td>16</td> <td>LTGN</td> <td>2033B19C1</td> <td>1652325C1</td> </tr> </tbody> </table>			CAV	CIRCUIT	GAUGE	COLOR	TERMINAL	SEAL/SLEEVE	A	K77-G	16	WH	2033B19C1	1652325C1	B	K77	16	LTGN	2033B19C1	1652325C1																																			
CAV	CIRCUIT	GAUGE	COLOR	TERMINAL	SEAL/SLEEVE																																																			
A	K77-G	16	WH	2033B19C1	1652325C1																																																			
B	K77	16	LTGN	2033B19C1	1652325C1																																																			
CONNECTOR 1671610C1 BODY LOCK 1671608C1																																																								
A/C PRESSURE TRANSDUCER (6201) (LOCATED ON A/C COMPRESSOR FRONT RIGHT SIDE OF ENGINE)																																																								
	<table border="1" style="width:100%; border-collapse: collapse;"> <thead> <tr> <th>CAV</th> <th>CIRCUIT</th> <th>GAUGE</th> <th>COLOR</th> <th>TERMINAL</th> </tr> </thead> <tbody> <tr> <td>A*</td> <td>K9AA</td> <td>18</td> <td>GY</td> <td>3554322C1</td> </tr> <tr> <td>A*</td> <td>K9AB</td> <td>18</td> <td>GY</td> <td>3554322C1</td> </tr> <tr> <td>A*</td> <td>K9AAA</td> <td>18</td> <td>GY</td> <td>3554322C1</td> </tr> <tr> <td>B</td> <td>K6DB</td> <td>18</td> <td>GY</td> <td>3554322C1</td> </tr> <tr> <td>C</td> <td>K77B</td> <td>18</td> <td>LTGN</td> <td>3554322C1</td> </tr> </tbody> </table>			CAV	CIRCUIT	GAUGE	COLOR	TERMINAL	A*	K9AA	18	GY	3554322C1	A*	K9AB	18	GY	3554322C1	A*	K9AAA	18	GY	3554322C1	B	K6DB	18	GY	3554322C1	C	K77B	18	LTGN	3554322C1																							
CAV	CIRCUIT	GAUGE	COLOR	TERMINAL																																																				
A*	K9AA	18	GY	3554322C1																																																				
A*	K9AB	18	GY	3554322C1																																																				
A*	K9AAA	18	GY	3554322C1																																																				
B	K6DB	18	GY	3554322C1																																																				
C	K77B	18	LTGN	3554322C1																																																				
CONNECTOR 3662921C1 • MUTUALLY EXCLUSIVE																																																								
AFTER TREATMENT SYSTEM (6259) (LOCATED IN THE AREA NEAR THE TRANSMISSION RIGHT SIDE)		DOCT SENSOR BLACK (6260) (LOCATED BY RIGHT FRAME RAIL NEAR TRANSMISSION AREA)																																																						
6 3  4 1	2  1																																																							
CONNECTOR 3612305C1		CONNECTOR 3626435C1																																																						
<table border="1" style="width:100%; border-collapse: collapse;"> <thead> <tr> <th>CAV</th> <th>CIRCUIT</th> <th>GAUGE</th> <th>COLOR</th> <th>TERMINAL</th> </tr> </thead> <tbody> <tr> <td>1</td> <td>K95-B</td> <td>18</td> <td>VT</td> <td>3612308C1</td> </tr> <tr> <td>2</td> <td>K95R-A</td> <td>18</td> <td>VT</td> <td>3612308C1</td> </tr> <tr> <td>3</td> <td>K95H</td> <td>18</td> <td>VT</td> <td>3612308C1</td> </tr> <tr> <td>4</td> <td>K95J</td> <td>18</td> <td>VT</td> <td>3612308C1</td> </tr> <tr> <td>5</td> <td>K95K</td> <td>18</td> <td>VT</td> <td>3612308C1</td> </tr> <tr> <td>6</td> <td>K95L</td> <td>18</td> <td>VT</td> <td>3612308C1</td> </tr> </tbody> </table>		CAV	CIRCUIT	GAUGE	COLOR	TERMINAL	1	K95-B	18	VT	3612308C1	2	K95R-A	18	VT	3612308C1	3	K95H	18	VT	3612308C1	4	K95J	18	VT	3612308C1	5	K95K	18	VT	3612308C1	6	K95L	18	VT	3612308C1	<table border="1" style="width:100%; border-collapse: collapse;"> <thead> <tr> <th>CAV</th> <th>CIRCUIT</th> <th>GAUGE</th> <th>COLOR</th> <th>TERMINAL</th> <th>SEAL/SLEEVE</th> </tr> </thead> <tbody> <tr> <td>1</td> <td>K95F4</td> <td>18</td> <td>TN</td> <td>3573077C1</td> <td>N/A</td> </tr> <tr> <td>2</td> <td>K95K</td> <td>18</td> <td>TN</td> <td>3573077C1</td> <td>N/A</td> </tr> </tbody> </table>		CAV	CIRCUIT	GAUGE	COLOR	TERMINAL	SEAL/SLEEVE	1	K95F4	18	TN	3573077C1	N/A	2	K95K	18	TN	3573077C1	N/A
CAV	CIRCUIT	GAUGE	COLOR	TERMINAL																																																				
1	K95-B	18	VT	3612308C1																																																				
2	K95R-A	18	VT	3612308C1																																																				
3	K95H	18	VT	3612308C1																																																				
4	K95J	18	VT	3612308C1																																																				
5	K95K	18	VT	3612308C1																																																				
6	K95L	18	VT	3612308C1																																																				
CAV	CIRCUIT	GAUGE	COLOR	TERMINAL	SEAL/SLEEVE																																																			
1	K95F4	18	TN	3573077C1	N/A																																																			
2	K95K	18	TN	3573077C1	N/A																																																			
<table border="1" style="width:100%; border-collapse: collapse;"> <tr> <th>CHR</th> <th>DATE</th> <th>CHANGE</th> <th>REV</th> <th>REFERENCE</th> <th>DRAWN</th> <th>NAME</th> </tr> <tr> <td>01</td> <td>MAY07</td> <td>REVISED & REDRAWN</td> <td>A</td> <td>60782A</td> <td>U00K640</td> <td>42/43/44/85/8600 & 73/74/7500 CIRC DIAGRAMS</td> </tr> <tr> <td></td> <td></td> <td></td> <td></td> <td></td> <td>RELEASE NO.</td> <td>DATE</td> </tr> <tr> <td></td> <td></td> <td></td> <td></td> <td></td> <td>59974G</td> <td>15SEP06</td> </tr> </table>	CHR	DATE	CHANGE	REV	REFERENCE	DRAWN	NAME	01	MAY07	REVISED & REDRAWN	A	60782A	U00K640	42/43/44/85/8600 & 73/74/7500 CIRC DIAGRAMS						RELEASE NO.	DATE						59974G	15SEP06	<table border="1" style="width:100%; border-collapse: collapse;"> <tr> <th>PART NO.</th> <th>SHEET</th> </tr> <tr> <td>AE08-56619</td> <td>74</td> </tr> </table>		PART NO.	SHEET	AE08-56619	74																						
CHR	DATE	CHANGE	REV	REFERENCE	DRAWN	NAME																																																		
01	MAY07	REVISED & REDRAWN	A	60782A	U00K640	42/43/44/85/8600 & 73/74/7500 CIRC DIAGRAMS																																																		
					RELEASE NO.	DATE																																																		
					59974G	15SEP06																																																		
PART NO.	SHEET																																																							
AE08-56619	74																																																							

Figure 290 Connector Composites (6200), (6201), (6259), (6260)

13.79. CONNECTOR COMPOSITES (6261), (6262), (6263), (6304), (6323), P. 75

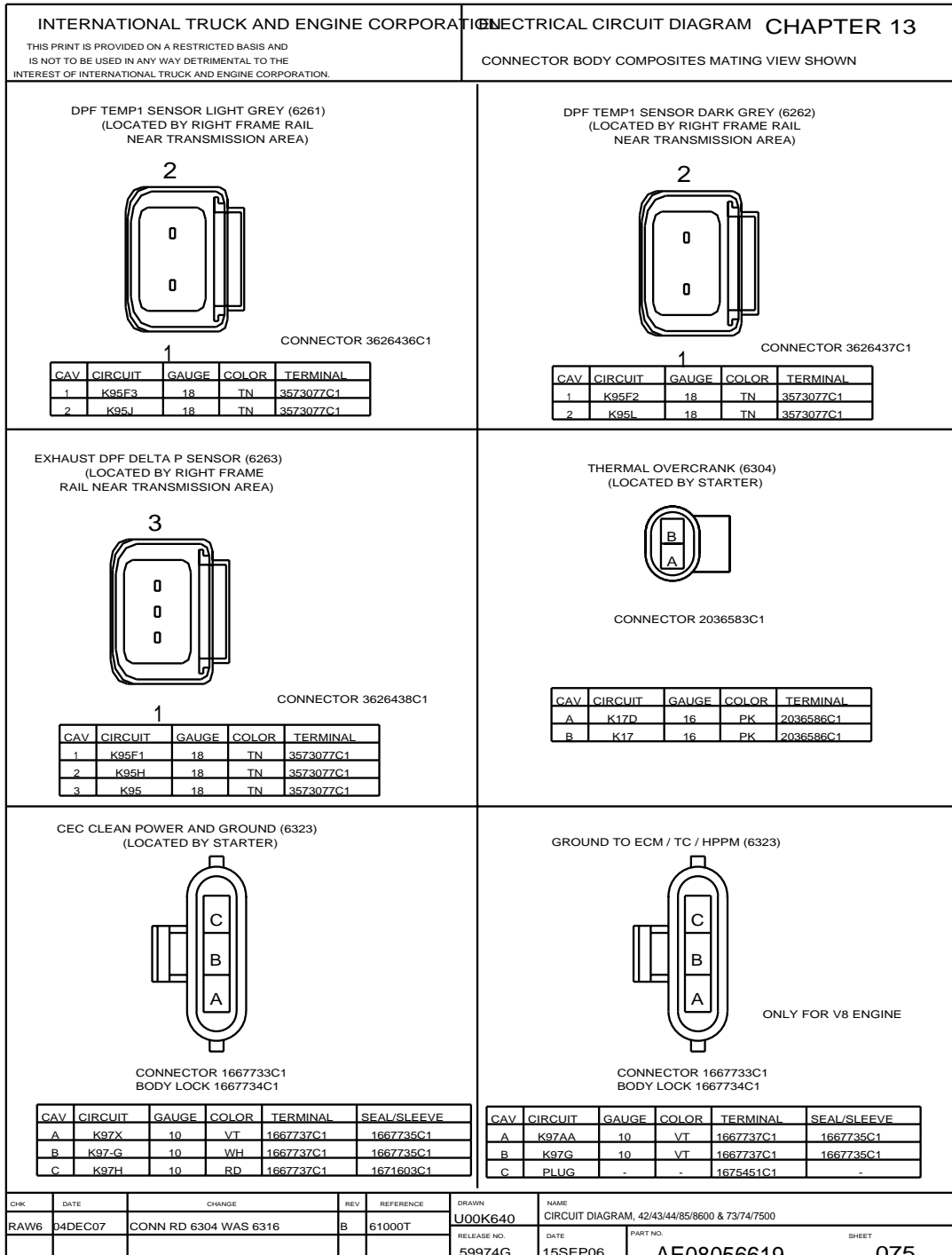


Figure 291 Connector Composites (6261), (6262), (6263), (6304), (6323)

13.80. CONNECTOR COMPOSITES (6334), (6400), (6401), P. 76

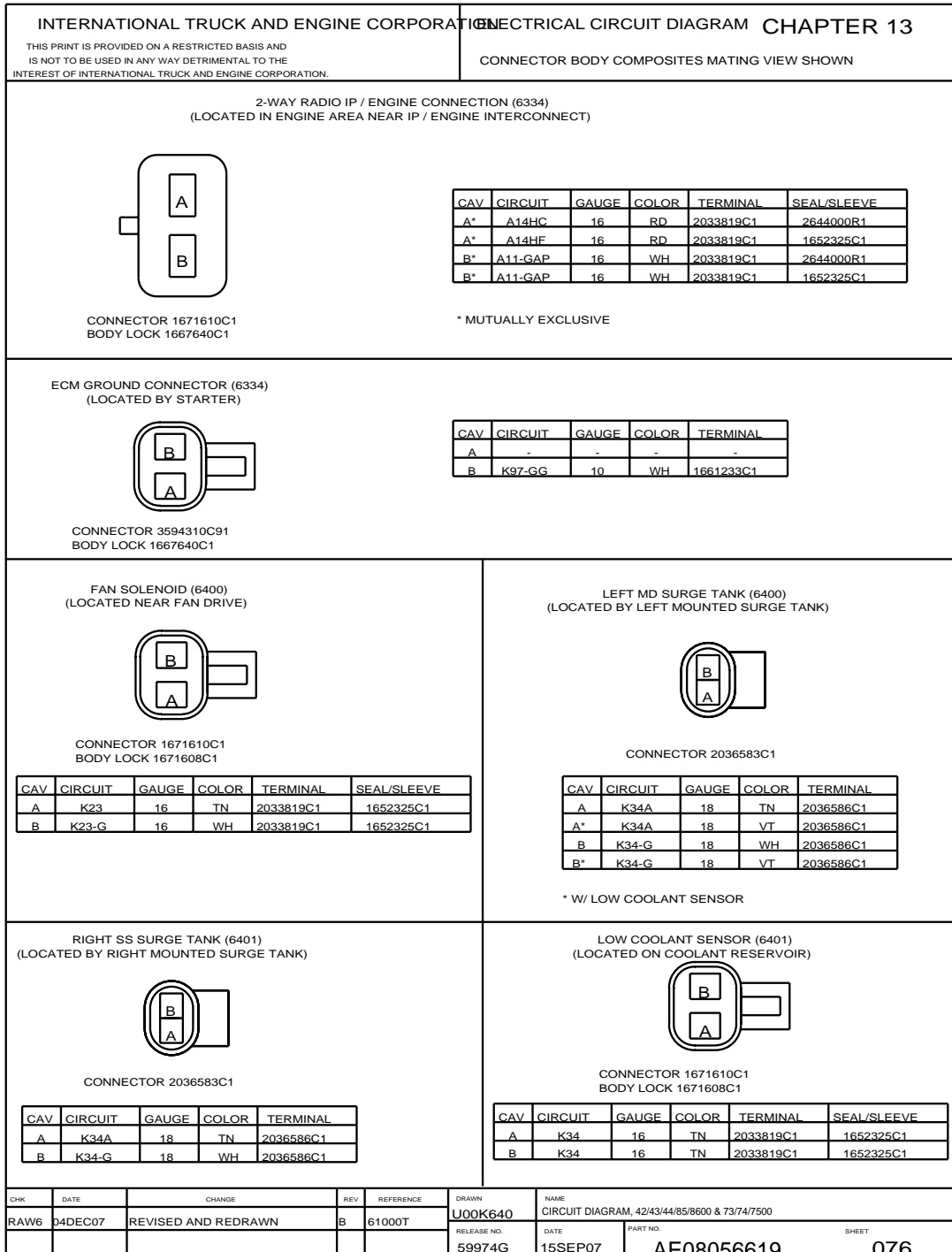


Figure 292 Connector Composites (6334), (6400), (6401)

13.81. CONNECTOR COMPOSITES (6402), (6403), (6406M), P. 77

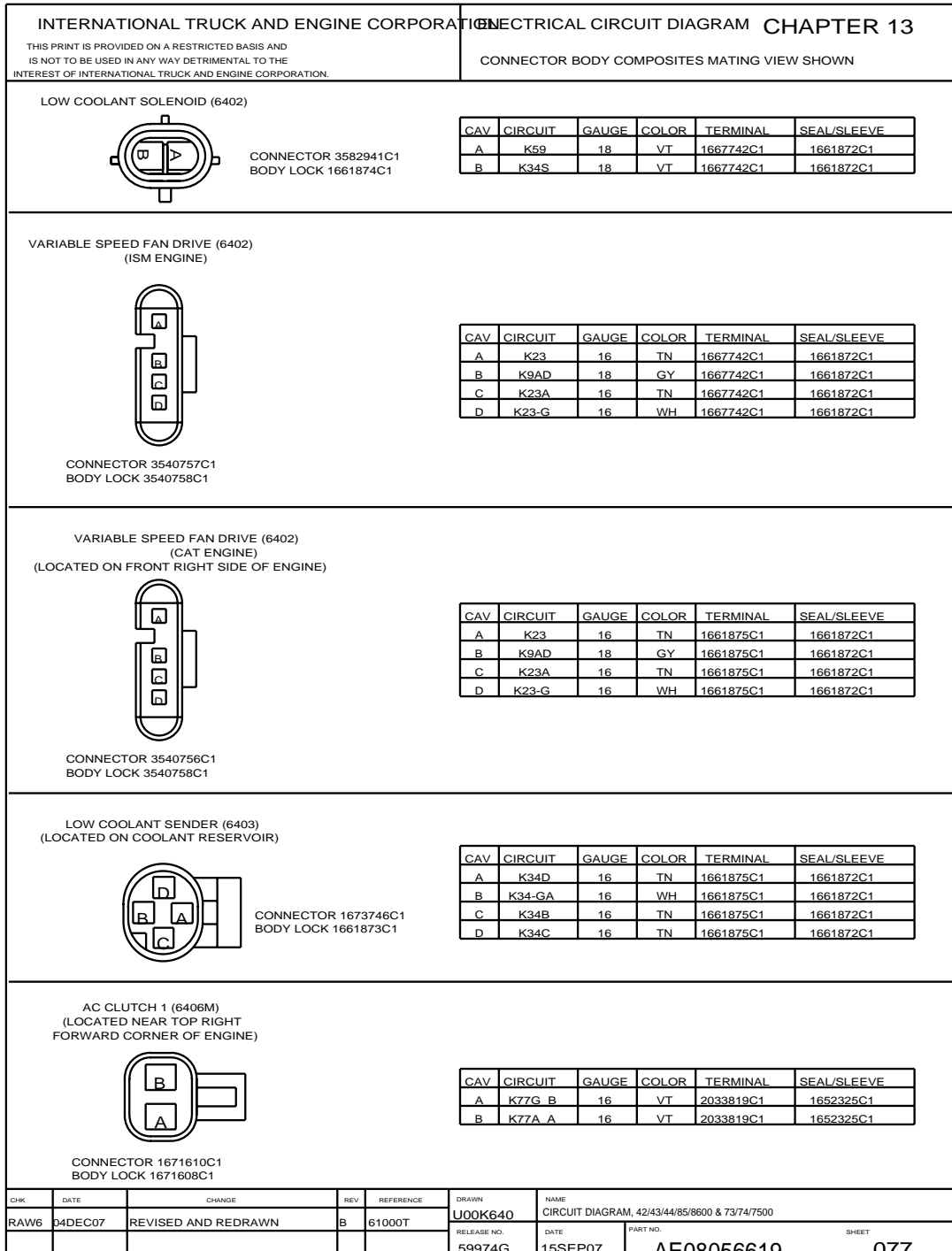
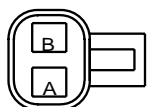


Figure 293 Connector Composites (6402), (6403), (6406M)

13.82. CONNECTOR COMPOSITES (6407M), (6550), (6650), (6701), P. 77A

INTERNATIONAL TRUCK AND ENGINE CORPORATION		ELECTRICAL CIRCUIT DIAGRAM CHAPTER 13			
THIS PRINT IS PROVIDED ON A RESTRICTED BASIS AND IS NOT TO BE USED IN ANY WAY DETRIMENTAL TO THE INTEREST OF INTERNATIONAL TRUCK AND ENGINE CORPORATION.		CONNECTOR BODY COMPOSITES MATING VIEW SHOWN			

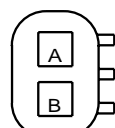
AC CLUTCH 2 (6407M)
(LOCATED NEAR LOWER LEFT FORWARD CORNER OF ENGINE)



CAV	CIRCUIT	GAUGE	COLOR	TERMINAL	SEAL/SLEEVE
A	K77G A	16	VT	2033819C1	1652325C1
B	K77A C	16	VT	2033819C1	1652325C1

CONNECTOR 1671610C1
BODY LOCK 1671608C1

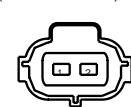
ETHER BOTTLE CONTROL VALVE (6550)
(LOCATED ON ETHER BOTTLE - FRONT LEFT RAIL)



CAV	CIRCUIT	GAUGE	COLOR	TERMINAL	SEAL/SLEEVE
A	K21	16	TN	2033911C1	1652325C1
B	K21A	16	TN	2033911C1	1652325C1

CONNECTOR 1671611C1
BODY LOCK 1671608C1

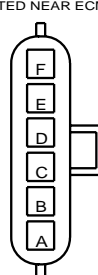
ENGINE OIL TEMP (6650)
(W/ CAT ENGINE)



CAV	CIRCUIT	GAUGE	COLOR	TERMINAL	SEAL/SLEEVE
1	K30A	18	TN	3561584C1	3536868C1
2	K30B	18	TN	3561584C1	3536868C1

CONNECTOR 3536864C1

GROUND ADAPTER (6701)
(LOCATED NEAR ECM)



CAV	CIRCUIT	GAUGE	COLOR	TERMINAL	SEAL/SLEEVE
A	K10-GA	12	WH	2033816C1	0589390C1
B	K77-G	16	WH	2033819C1	1652325C1
C#	K77-G	16	WH	2033819C1	1652325C1
C*	K23-G	16	WH	2033819C1	1652325C1
D	K21A	16	TN	2033819C1	1652325C1
E#	K21A	16	TN	2033819C1	1652325C1
E*	K10E-G	14	WH	2033816C1	0589391C1
F	PLUG	-	-	0587579C1	-

CONNECTOR 3551896C1
BODY LOCK 3551897C1

* W/ CAT ENGINE
W/ ISM ENGINE

CHK	DATE	CHANGE	REV	REFERENCE	DRAWN	NAME
RAW6	04DEC07	INITIAL RELEASE	A	61000T	300371	CIRCUIT DIAGRAM, 42/43/44/85/8600 & 73/74/7500
					RELEASE NO.	DATE
					61000T	31OCT07
						PART NO.
						AE08056619
						SHEET
						77a

Figure 294 Connector Composites (6407M), (6550), (6650), (6701)

13.83. CONNECTOR COMPOSITES (6702), (6703), (6703M), (6704), P. 78

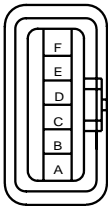
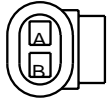
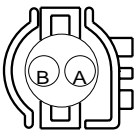
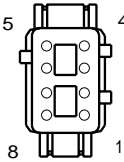
INTERNATIONAL TRUCK AND ENGINE CORPORATION				ELECTRICAL CIRCUIT DIAGRAM CHAPTER 13																																																																											
THIS PRINT IS PROVIDED ON A RESTRICTED BASIS AND IS NOT TO BE USED IN ANY WAY DETRIMENTAL TO THE INTEREST OF INTERNATIONAL TRUCK AND ENGINE CORPORATION.				CONNECTOR BODY COMPOSITES MATING VIEW SHOWN																																																																											
<p>ZERO VOLT REFERENCE (6702) (LOCATED AT UPPER REAR SIDE OF ENGINE)</p>  <p>CONNRCOR 3543729C1 BODY LOCK 3543731C1</p>				<table border="1" style="width:100%; border-collapse: collapse; font-size: x-small;"> <thead> <tr> <th>CAV</th> <th>CIRCUIT</th> <th>GAUGE</th> <th>COLOR</th> <th>TERMINAL</th> <th>SEAL/SLEEVE</th> </tr> </thead> <tbody> <tr><td>A</td><td>K9AA</td><td>16</td><td>GY</td><td>3535303C1</td><td>3535424C1</td></tr> <tr><td>B*</td><td>K9AB</td><td>16</td><td>GY</td><td>3535303C1</td><td>3535424C1</td></tr> <tr><td>B**</td><td>K9AAA</td><td>16</td><td>GY</td><td>3535303C1</td><td>3535424C1</td></tr> <tr><td>C%*</td><td>K9AC</td><td>18</td><td>GY</td><td>3535303C1</td><td>3535424C1</td></tr> <tr><td>C**</td><td>K9AB</td><td>18</td><td>TN</td><td>3535303C1</td><td>3535424C1</td></tr> <tr><td>C*@</td><td>K9AAD</td><td>18</td><td>GY</td><td>3535303C1</td><td>3535424C1</td></tr> <tr><td>D**</td><td>K9AAB</td><td>18</td><td>GY</td><td>3535303C1</td><td>3535424C1</td></tr> <tr><td>D*</td><td>K30B</td><td>18</td><td>TN</td><td>3535303C1</td><td>3535424C1</td></tr> <tr><td>E</td><td>K9AD</td><td>18</td><td>GY</td><td>3535303C1</td><td>3535424C1</td></tr> <tr><td>F**</td><td>K9AAD</td><td>18</td><td>GY</td><td>3535303C1</td><td>3535424C1</td></tr> <tr><td>F*</td><td>K9AAB</td><td>18</td><td>GY</td><td>3535303C1</td><td>3535424C1</td></tr> </tbody> </table> <p style="font-size: x-small;">* W/ CAT ENGINE ** W/ ISM ENGINE @ W/ FREEDOMLINE XMSN % W/ TRANS OIL TEMP GAUGE AND AC</p>				CAV	CIRCUIT	GAUGE	COLOR	TERMINAL	SEAL/SLEEVE	A	K9AA	16	GY	3535303C1	3535424C1	B*	K9AB	16	GY	3535303C1	3535424C1	B**	K9AAA	16	GY	3535303C1	3535424C1	C%*	K9AC	18	GY	3535303C1	3535424C1	C**	K9AB	18	TN	3535303C1	3535424C1	C*@	K9AAD	18	GY	3535303C1	3535424C1	D**	K9AAB	18	GY	3535303C1	3535424C1	D*	K30B	18	TN	3535303C1	3535424C1	E	K9AD	18	GY	3535303C1	3535424C1	F**	K9AAD	18	GY	3535303C1	3535424C1	F*	K9AAB	18	GY	3535303C1	3535424C1
CAV	CIRCUIT	GAUGE	COLOR	TERMINAL	SEAL/SLEEVE																																																																										
A	K9AA	16	GY	3535303C1	3535424C1																																																																										
B*	K9AB	16	GY	3535303C1	3535424C1																																																																										
B**	K9AAA	16	GY	3535303C1	3535424C1																																																																										
C%*	K9AC	18	GY	3535303C1	3535424C1																																																																										
C**	K9AB	18	TN	3535303C1	3535424C1																																																																										
C*@	K9AAD	18	GY	3535303C1	3535424C1																																																																										
D**	K9AAB	18	GY	3535303C1	3535424C1																																																																										
D*	K30B	18	TN	3535303C1	3535424C1																																																																										
E	K9AD	18	GY	3535303C1	3535424C1																																																																										
F**	K9AAD	18	GY	3535303C1	3535424C1																																																																										
F*	K9AAB	18	GY	3535303C1	3535424C1																																																																										
<p>AIR RESTRICTION GAUGE (6703)</p>  <p>CONNRCOR 3522068C1 BODY LOCK 1661874C1</p>				<table border="1" style="width:100%; border-collapse: collapse; font-size: x-small;"> <thead> <tr> <th>CAV</th> <th>CIRCUIT</th> <th>GAUGE</th> <th>COLOR</th> <th>TERMINAL</th> <th>SEAL/SLEEVE</th> </tr> </thead> <tbody> <tr><td>A</td><td>K9AAB</td><td>18</td><td>GY</td><td>1661875C1</td><td>1661872C1</td></tr> <tr><td>B</td><td>K28</td><td>18</td><td>TN</td><td>1661875C1</td><td>1661872C1</td></tr> </tbody> </table>				CAV	CIRCUIT	GAUGE	COLOR	TERMINAL	SEAL/SLEEVE	A	K9AAB	18	GY	1661875C1	1661872C1	B	K28	18	TN	1661875C1	1661872C1																																																						
CAV	CIRCUIT	GAUGE	COLOR	TERMINAL	SEAL/SLEEVE																																																																										
A	K9AAB	18	GY	1661875C1	1661872C1																																																																										
B	K28	18	TN	1661875C1	1661872C1																																																																										
<p>INTAKE AIR TEMP (6703M) (LOCATED ON AIR FILTER HOUSING)</p>  <p>CONNECTOR 1689462C1 BODY LOCK 1689463C1</p>				<table border="1" style="width:100%; border-collapse: collapse; font-size: x-small;"> <thead> <tr> <th>CAV</th> <th>CIRCUIT</th> <th>GAUGE</th> <th>COLOR</th> <th>TERMINAL</th> </tr> </thead> <tbody> <tr><td>A*</td><td>K97E</td><td>16</td><td>PL</td><td>1689464C1</td></tr> <tr><td>A#</td><td>K97R</td><td>18</td><td>VT</td><td>1689464C1</td></tr> <tr><td>B*</td><td>K97S</td><td>16</td><td>VT</td><td>1689464C1</td></tr> <tr><td>B#</td><td>K97S</td><td>18</td><td>VT</td><td>1689464C1</td></tr> </tbody> </table> <p style="font-size: x-small;">* W/ I6 ENGINE # W/ V8 ENGINE</p>				CAV	CIRCUIT	GAUGE	COLOR	TERMINAL	A*	K97E	16	PL	1689464C1	A#	K97R	18	VT	1689464C1	B*	K97S	16	VT	1689464C1	B#	K97S	18	VT	1689464C1																																															
CAV	CIRCUIT	GAUGE	COLOR	TERMINAL																																																																											
A*	K97E	16	PL	1689464C1																																																																											
A#	K97R	18	VT	1689464C1																																																																											
B*	K97S	16	VT	1689464C1																																																																											
B#	K97S	18	VT	1689464C1																																																																											
<p>FLEETGUARD AFTERTREATMENT (6704) (LOCATED AT UNDER SIDE OF TRANSMISSION)</p>  <p>CONNECTOR 3539139C1 BODY LOCK 3539144C1</p>				<table border="1" style="width:100%; border-collapse: collapse; font-size: x-small;"> <thead> <tr> <th>CAV</th> <th>CIRCUIT</th> <th>GAUGE</th> <th>COLOR</th> <th>TERMINAL</th> </tr> </thead> <tbody> <tr><td>1</td><td>K95A</td><td>18</td><td>TN</td><td>3555249C1</td></tr> <tr><td>2</td><td>K95B</td><td>18</td><td>TN</td><td>3555249C1</td></tr> <tr><td>3</td><td>K95C</td><td>18</td><td>TN</td><td>3555249C1</td></tr> <tr><td>4</td><td>K95-GA</td><td>18</td><td>WH</td><td>3555249C1</td></tr> <tr><td>5</td><td>K95D</td><td>18</td><td>TN</td><td>3555249C1</td></tr> <tr><td>6</td><td>K95E</td><td>18</td><td>TN</td><td>3555249C1</td></tr> <tr><td>7</td><td>K95-GB</td><td>18</td><td>WH</td><td>3555249C1</td></tr> <tr><td>8</td><td>PLUG</td><td>-</td><td>-</td><td>3527276C1</td></tr> </tbody> </table>				CAV	CIRCUIT	GAUGE	COLOR	TERMINAL	1	K95A	18	TN	3555249C1	2	K95B	18	TN	3555249C1	3	K95C	18	TN	3555249C1	4	K95-GA	18	WH	3555249C1	5	K95D	18	TN	3555249C1	6	K95E	18	TN	3555249C1	7	K95-GB	18	WH	3555249C1	8	PLUG	-	-	3527276C1																											
CAV	CIRCUIT	GAUGE	COLOR	TERMINAL																																																																											
1	K95A	18	TN	3555249C1																																																																											
2	K95B	18	TN	3555249C1																																																																											
3	K95C	18	TN	3555249C1																																																																											
4	K95-GA	18	WH	3555249C1																																																																											
5	K95D	18	TN	3555249C1																																																																											
6	K95E	18	TN	3555249C1																																																																											
7	K95-GB	18	WH	3555249C1																																																																											
8	PLUG	-	-	3527276C1																																																																											
CHK	DATE	CHANGE	REV	REFERENCE	DRAWN	NAME																																																																									
RAW6	04DEC07	REVISED AND REDRAWN	B	61000T	U00K640	CIRCUIT DIAGRAM, 42/43/44/85/8600 & 73/74/7500																																																																									
					RELEASE NO.	DATE	PART NO.																																																																								
					59974G	15SEP06	AE08056619																																																																								
							SHEET 078																																																																								

Figure 295 Connector Composites (6702), (6703), (6703M), (6704)

13.84. CONNECTOR COMPOSITES (6704M), (6712), (6714), (6747), P. 79

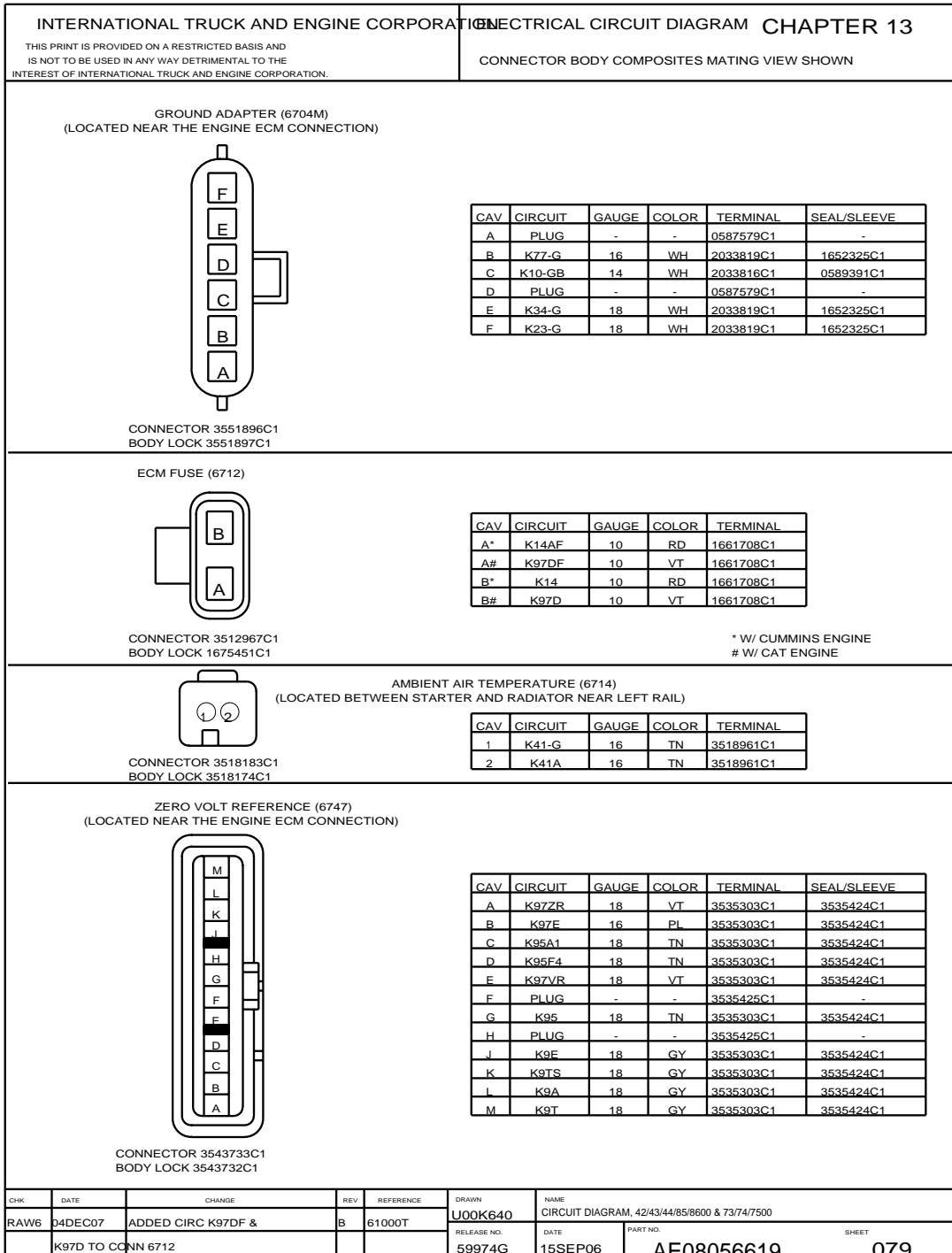


Figure 296 Connector Composites (6704M), (6712), (6714), (6747)

13.85. CONNECTOR COMPOSITES (6900), (6901), (7103), (7103M), (7104), P. 80

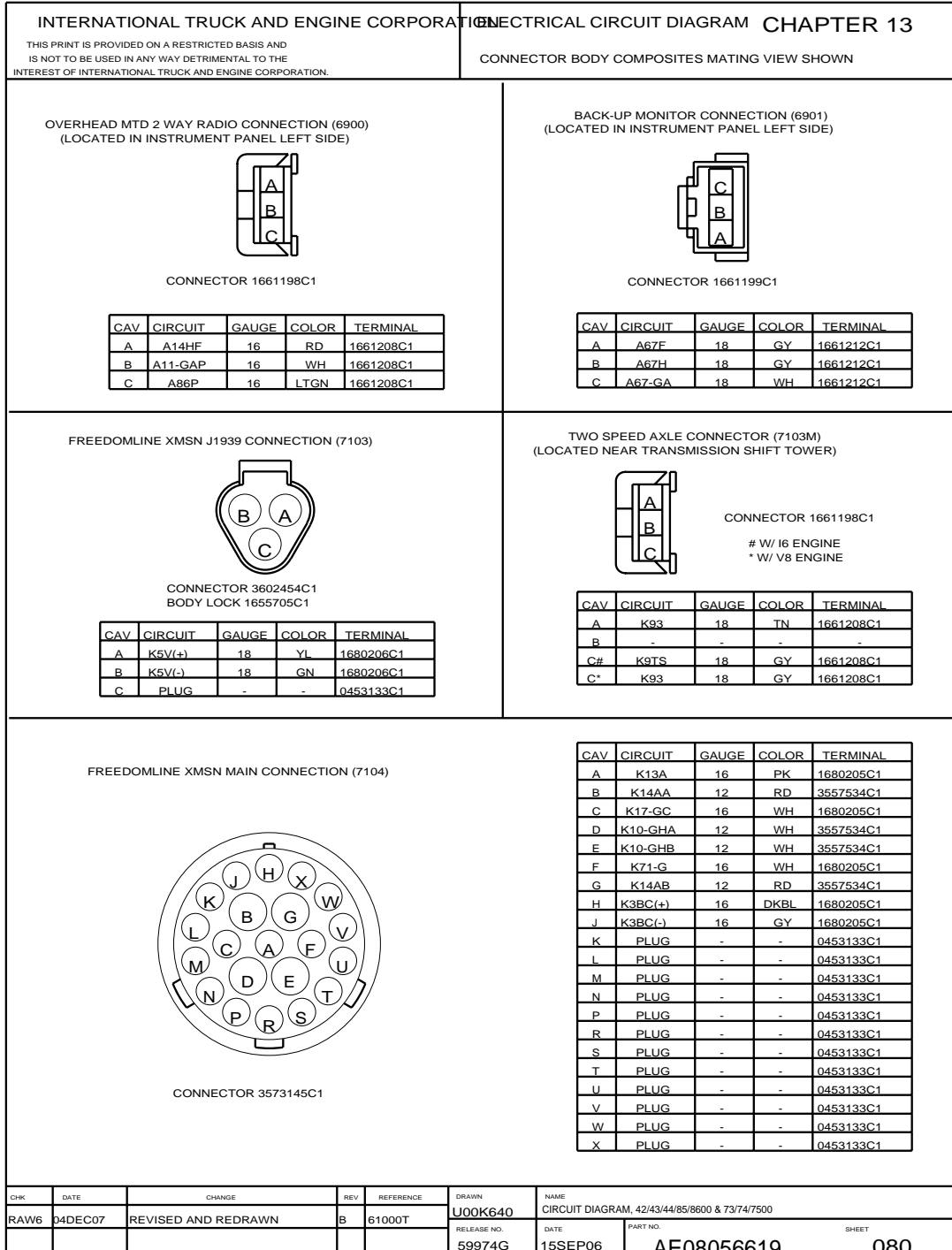


Figure 297 Connector Composites (6900), (6901), (7103), (7103M), (7104)

13.86. CONNECTOR COMPOSITES (7104), (7105), P. 81

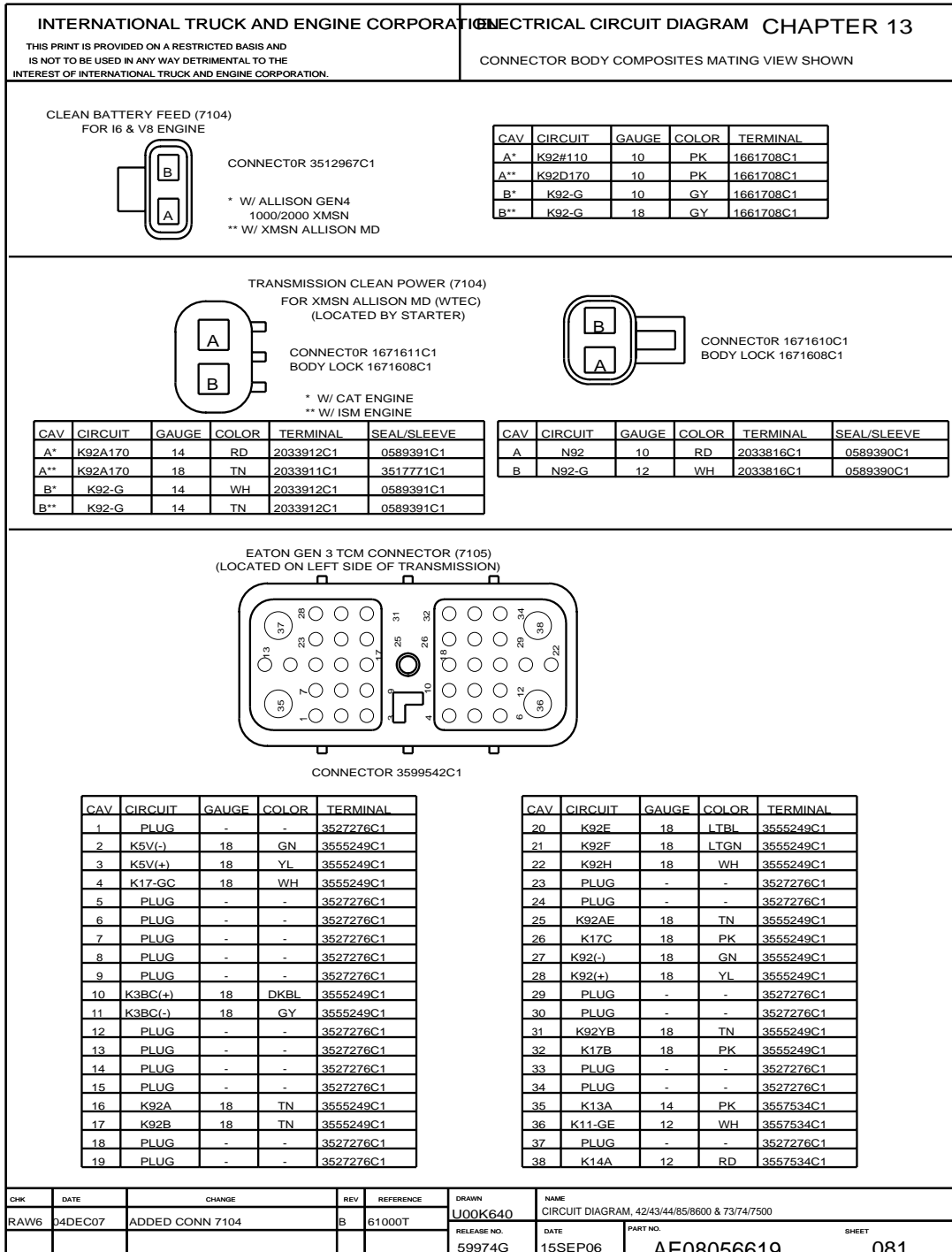


Figure 298 Connector Composites (7104), (7105)

13.87. CONNECTOR COMPOSITES (7110), (7111), P. 82

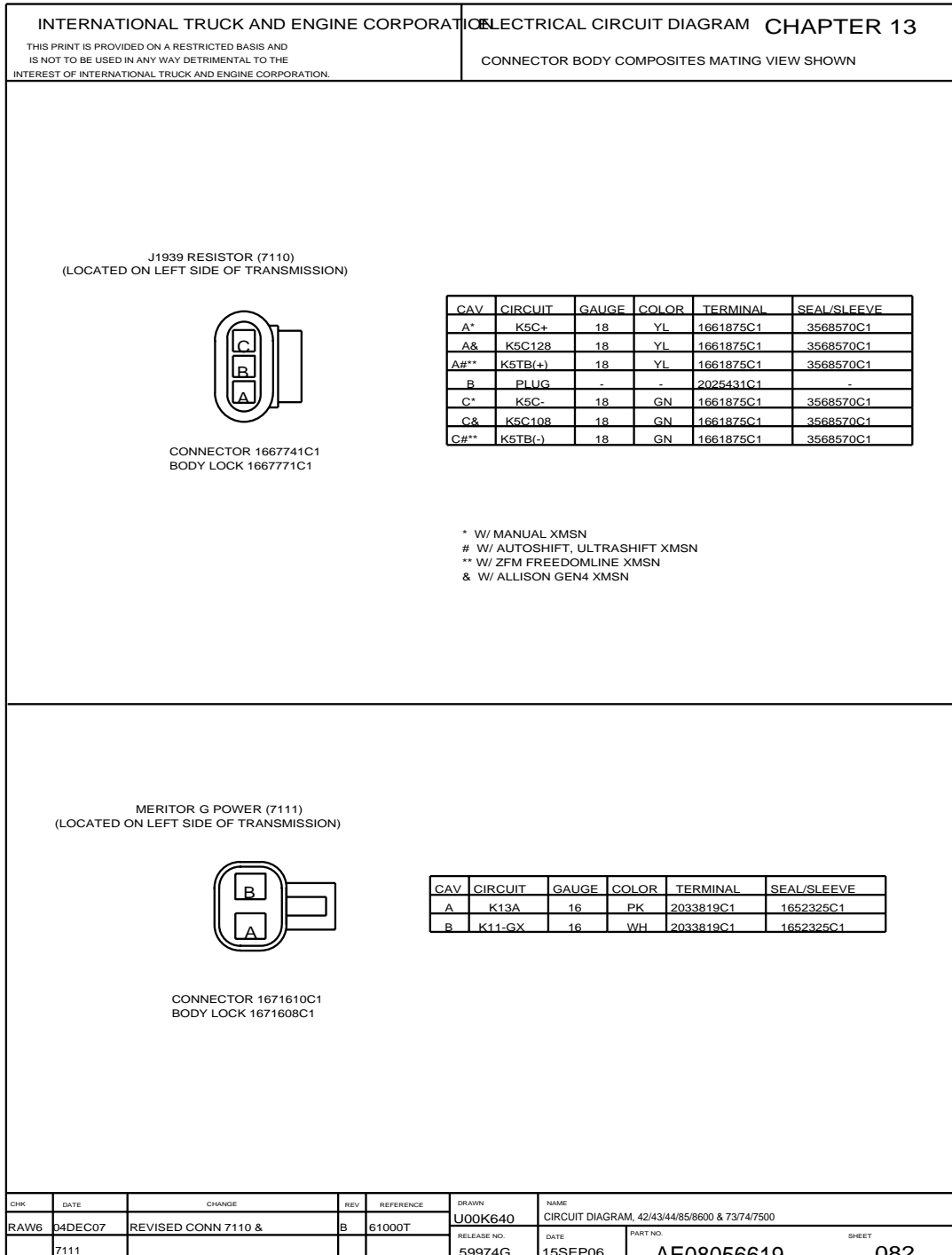


Figure 299 Connector Composites (7110), (7111)

13.88. CONNECTOR COMPOSITES (7150), P. 83

INTERNATIONAL TRUCK AND ENGINE CORPORATION					ELECTRICAL CIRCUIT DIAGRAM					CHAPTER 13	
THIS PRINT IS PROVIDED ON A RESTRICTED BASIS AND IS NOT TO BE USED IN ANY WAY DETRIMENTAL TO THE INTEREST OF INTERNATIONAL TRUCK AND ENGINE CORPORATION.										CONNECTOR BODY COMPOSITES MATING VIEW SHOWN	
CAV	CIRCUIT	GAUGE	COLOR	TERMINAL	CAV	CIRCUIT	GAUGE	COLOR	TERMINAL	TRANSMISSION MODULE (7150) (LOCATED AT TRANSMISSION TCM CONNECTION) TRANSMISSION MODULE IN CAB (7152) (LOCATED IN CAB)	
1	K92#101	18	LTBL	3606047C1	41	K92A141	18	WH	3606047C1		
1%	K101_C	18	VT	3606047C1	41**	K92A141	18	TN	3606047C1		
2	-	-	-	-	41	K92#141	18	TN	3606047C1		
3	K92#103	18	YL	3606047C1	41%	K141	18	VT	3606047C1		
4	-	-	-	-	42**	K92#142	18	TN	3606047C1		
5	K92#105	18	OR	3606047C1	42*	K92#142	18	WH	3606047C1		
6	-	-	-	-	43	K92#143	18	LTBL	3606047C1		
7	-	-	-	-	44	-	-	-	-		
8	K5A108	18	GN	3606047C1	45	K92#145	18	OR	3606047C1		
8%	K5C*_D	18	VT	3606047C1	45**	K92#145	18	TN	3606047C1		
9**	K92C109	18	GY	3606047C1	46	-	-	-	-		
9	K92#109	18	GY	3606047C1	47	-	-	-	-		
10**	K92B110	18	PK	3606047C1	48	-	-	-	-		
10	K92#110	18	PK	3606047C1	49	-	-	-	-		
11	K92#111	18	OR	3606047C1	50	-	-	-	-		
12*	K92A112	18	PK	3606047C1	51	K92#151	18	WH	3606047C1		
12	K92#112	18	TN	3606047C1	52	K92#152	18	LTGN	3606047C1		
13	-	-	-	-	53	-	-	-	-		
14	-	-	-	-	54**	K31#154	18	TN	3606047C1		
15	K92#115	18	WH	3606047C1	54	K92#154	18	TN	3606047C1		
16	K92#116	18	LTBL	3606047C1	55**	K92#155	18	WH	3606047C1		
17**	K92A117	18	TN	3606047C1	55	K92#155	18	TN	3606047C1		
17**	K92#117	18	TN	3606047C1	56	K92#156	18	PK	3606047C1		
17**	K92#117	18	LTBL	3606047C1	57	K92#157	18	WH	3606047C1		
18	-	-	-	-	58*	K92A158	18	LTGN	3606047C1		
19	K92#119	18	LTBL	3606047C1	58*	K92#158	18	LTGN	3606047C1		
20**	K92C120	18	LTBL	3606047C1	58%	K92D158	18	LTGN	3606047C1		
20	K92A120	18	LTBL	3606047C1	59	K48#159	18	TN	3606047C1		
20*	K92#120	18	DKBL	3606047C1	60	K47#160	18	YL	3606047C1		
20	K92#120	18	LTBL	3606047C1	61*	K92#161	18	OR	3606047C1		
21	-	-	-	-	61	K92#161	18	TN	3606047C1		
22	K92#122	18	YL	3606047C1	62	K92#162	18	YL	3606047C1		
23	K92#123	18	LTGN	3606047C1	63**	K92#163	18	YL	3606047C1		
24*	K92#124	18	WH	3606047C1	63	K92#163	18	TN	3606047C1		
24	K92#124	18	TN	3606047C1	64	K92#164	18	LTBL	3606047C1		
25**	K47A125	18	TN	3606047C1	65	K92#165	18	TN	3606047C1		
25	K92#125	18	TN	3606047C1	66	-	-	-	-		
25%	K125_A	18	VT	3606047C1	67	-	-	-	-		
26	-	-	-	-	68	-	-	-	-		
27	-	-	-	-	69**	K92B169	18	GY	3606047C1		
28	K5A128	18	YL	3606047C1	69	K92#169	18	TN	3606047C1		
28%	K5C*_D	18	VT	3606047C1	70*	K92#170	18	PK	3606047C1		
29	-	-	-	-	70	K92#170	18	TN	3606047C1		
30	K92#130	18	WH	3606047C1	71**	K92#171	18	YL	3606047C1		
31	K92A131	18	YL	3606047C1	71	K92#171	18	TN	3606047C1		
31**	K92#131	18	YL	3606047C1	72	-	-	-	-		
32	-	-	-	-	73	-	-	-	-		
33	K92#133	18	YL	3606047C1	74**	K92#174	18	LTBL	3606047C1		
34**	K92#134	18	TN	3606047C1	74	K92#174	18	TN	3606047C1		
34	K92#134	18	GY	3606047C1	75	K92#175	18	OR	3606047C1		
35	-	-	-	-	76	K92#176	18	YL	3606047C1		
36	K92#136	18	OR	3606047C1	77*	K92#177	18	LTGN	3606047C1		
37**	K92#137	18	WH	3606047C1	77*	K92#177	18	TN	3606047C1		
37	K92#137	18	TN	3606047C1	78	-	-	-	-		
38	-	-	-	-	79	-	-	-	-		
39	K48#139	18	OR	3606047C1	80*	K92#180	18	OR	3606047C1		
40	K47#140	18	LTGN	3606047C1	80*	K92#180	18	TN	3606047C1		
					80*	K92A180	18	OR	3606047C1		

CONNECTOR 3605713C1
BODY LOCK 3606525C1

- * MUTUALLY EXCLUSIVE
- ** W/ HEAVY DUTY
- W/ MEDIUM DUTY
- ** W/ WTEC
- * W/ GEN 4
- ** W/ AUTO NTRL
- % W/ V8 ENGINE
- %% W/ 16 & V8

CHK	DATE	CHANGE	REV	REFERENCE	DRAWN	NAME
	MAY07	REVISED & REDRAWN	A	60782A	U00K640	42/43/44/85/8600 & 73/74/7500 CIRC DIAGRAMS
					RELEASE NO.	DATE
					59974G	15SEP06
					PART NO.	SHEET
					AE08-56619	83

Figure 300 Connector Composites (7150)

13.89. CONNECTOR COMPOSITES (7150F), P. 84

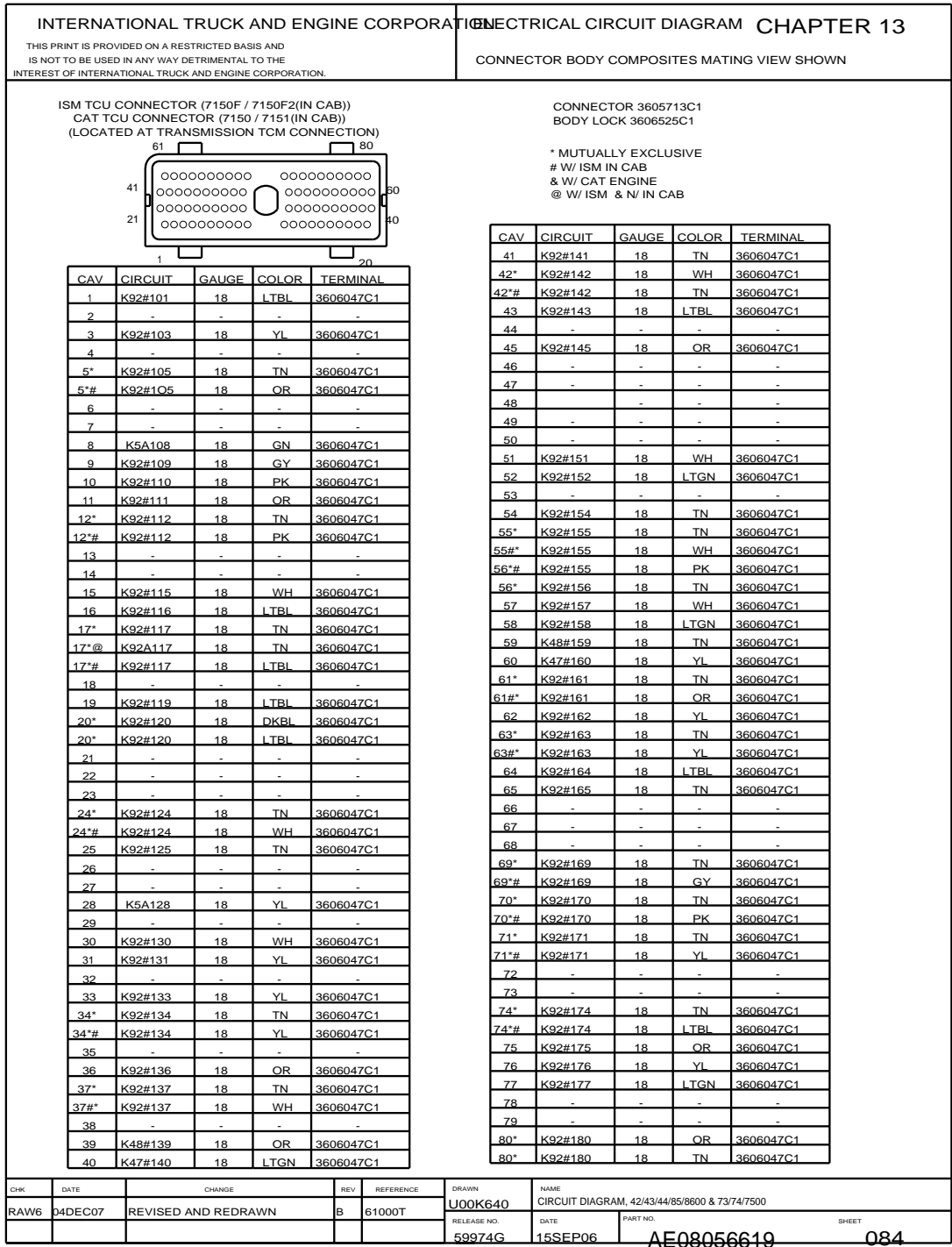


Figure 301 Connector Composites (7150F)

13.90. CONNECTOR COMPOSITES (7151), P. 85

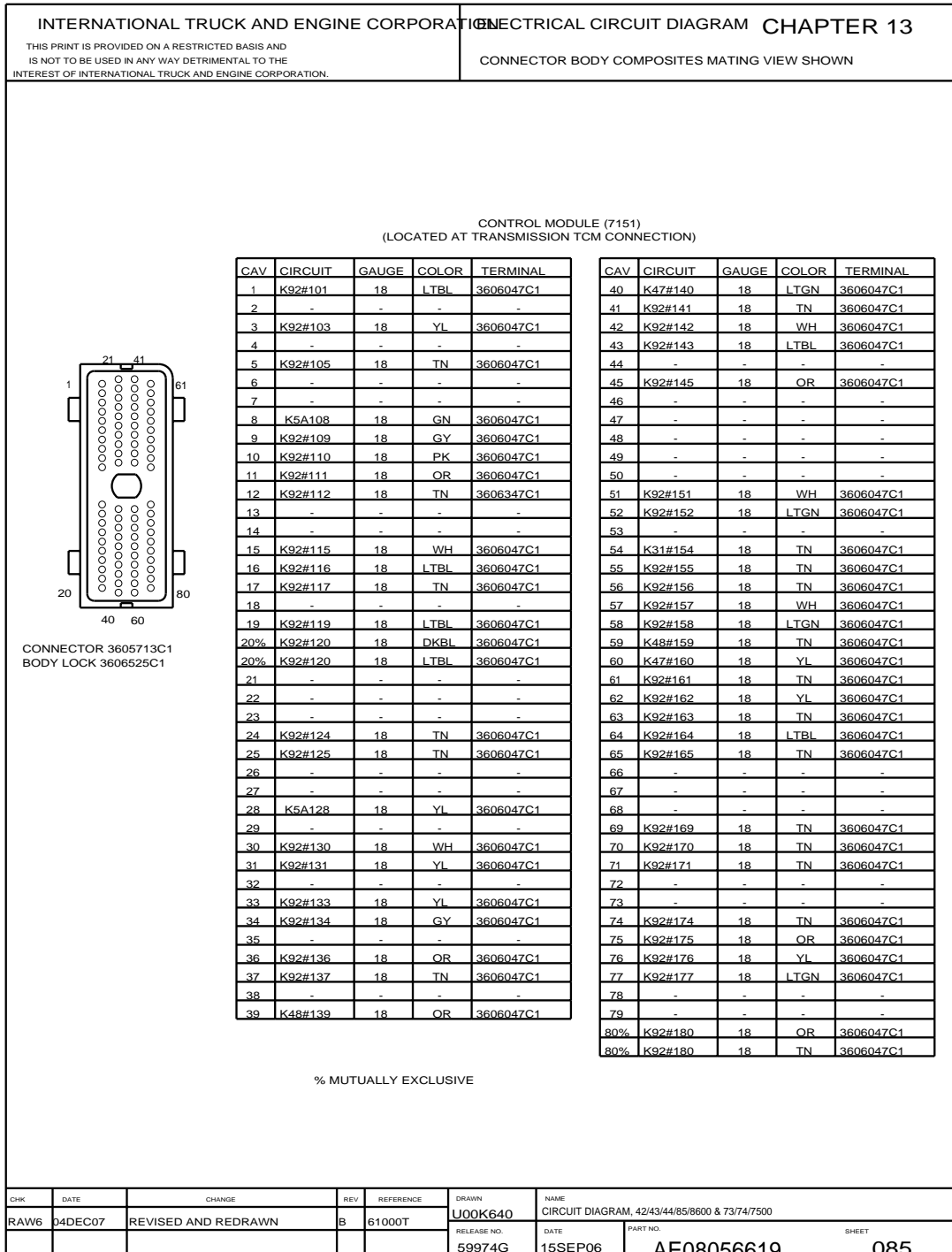


Figure 302 Connector Composites (7151)

13.91. CONNECTOR COMPOSITES (7205M), (7206F), P. 86

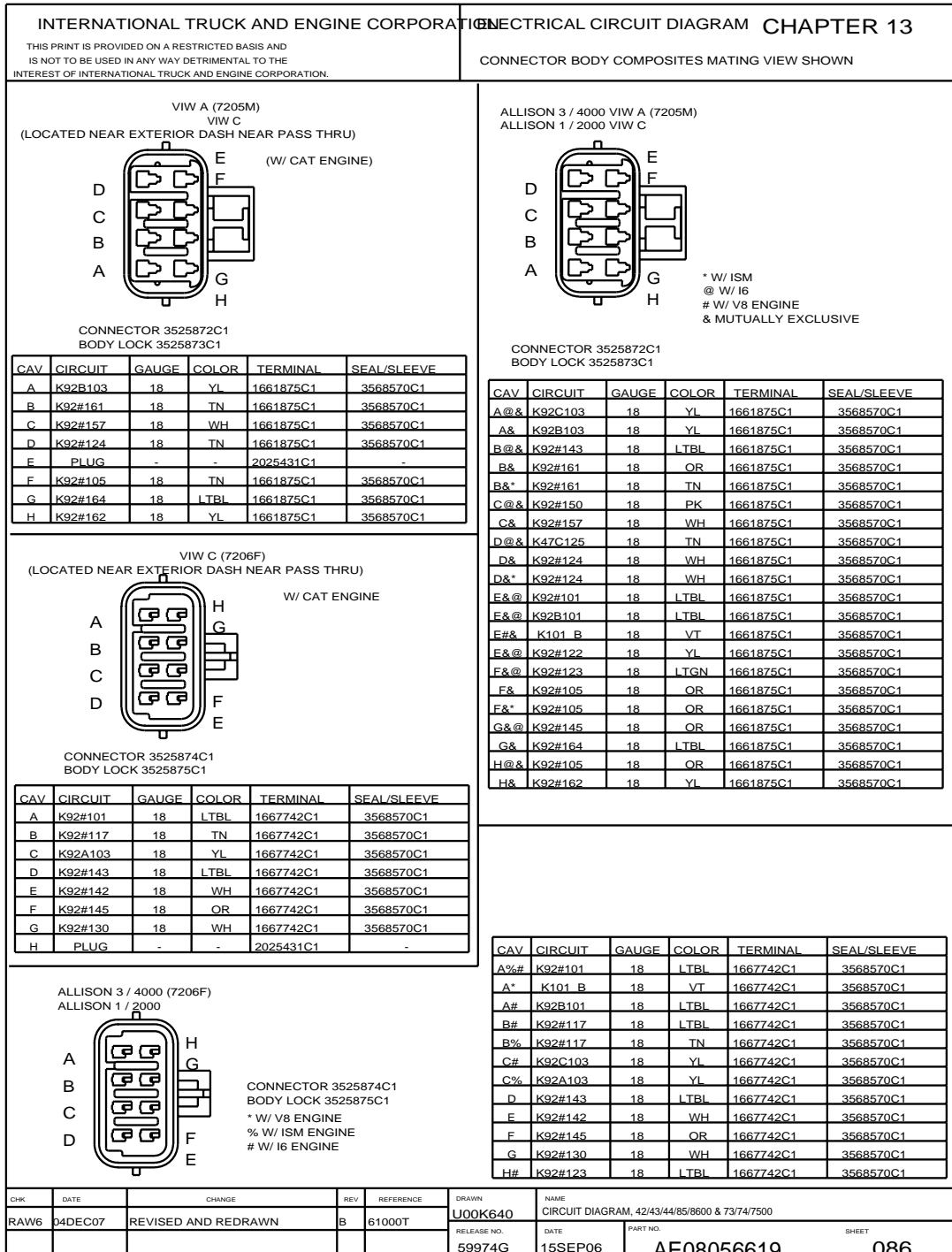
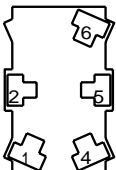


Figure 303 Connector Composites (7205M), (7206F)

13.92. CONNECTOR COMPOSITES (7210), (7211), (7212), (7213), P. 87

INTERNATIONAL TRUCK AND ENGINE CORPORATION		ELECTRICAL CIRCUIT DIAGRAM CHAPTER 13	
THIS PRINT IS PROVIDED ON A RESTRICTED BASIS AND IS NOT TO BE USED IN ANY WAY DETRIMENTAL TO THE INTEREST OF INTERNATIONAL TRUCK AND ENGINE CORPORATION.		CONNECTOR BODY COMPOSITES MATING VIEW SHOWN	

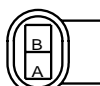
ABS-6 BLINK CODE SWITCH (7210)
(LOCATED IN INSTRUMENT PANEL LEFT SIDE)



CAV	CIRCUIT	GAUGE	COLOR	TERMINAL
1	-	-	-	-
2	-	-	-	-
4	-	-	-	-
5	A94W	18	GY	1661224C1
6	A94-GB	18	WH	1661224C1

CONNECTOR 1661256C1

RETARDER TEMP SENSOR (7211)
(LOCATED AT TRANSMISSION)




CAV	CIRCUIT	GAUGE	COLOR	TERMINAL
A	K92#175	18	OR	2036586C1
B*	K92B158	18	LTGN	2036586C1
B*	K92#136	18	OR	2036586C1

CONNECTOR 3524377C1

* MUTUALLY EXCLUSIVE


STARTER SOLENOID (7212)
(LOCATED ON REAR OF TRANSMISSION)



CAV	CIRCUIT	GAUGE	COLOR	TERMINAL
A	K92#119	18	LTBL	2036586C1
B	K92C131	18	YL	2036586C1

CONNECTOR 3524378C1

RETARDER SOLENOID (7213)
(LOCATED AT TRANSMISSION)



CAV	CIRCUIT	GAUGE	COLOR	TERMINAL
A	K92#115	18	WH	2036586C1
B*	K92B131	18	YL	2036586C1
B#	K92D131	18	YL	2036586C1

CONNECTOR 2036583C1

* W/ ISM ENGINE

CONNECTOR 2036584C1 (ISM ENGINE)

W/ I6 & V8 ENGINE

CHK	DATE	CHANGE	REV	REFERENCE	DRAWN	NAME
RAW6	04DEC07	ADDED CONN 7212	B	61000T	U00K640	CIRCUIT DIAGRAM, 42/43/44/85/8600 & 73/74/7500
					RELEASE NO.	DATE
					59974G	15SEP06
						PART NO.
						AE08056619
						SHEET
						087

Figure 304 Connector Composites (7210), (7211), (7212), (7213)

13.93. CONNECTOR COMPOSITES (7250), (7251), (7350), P. 88

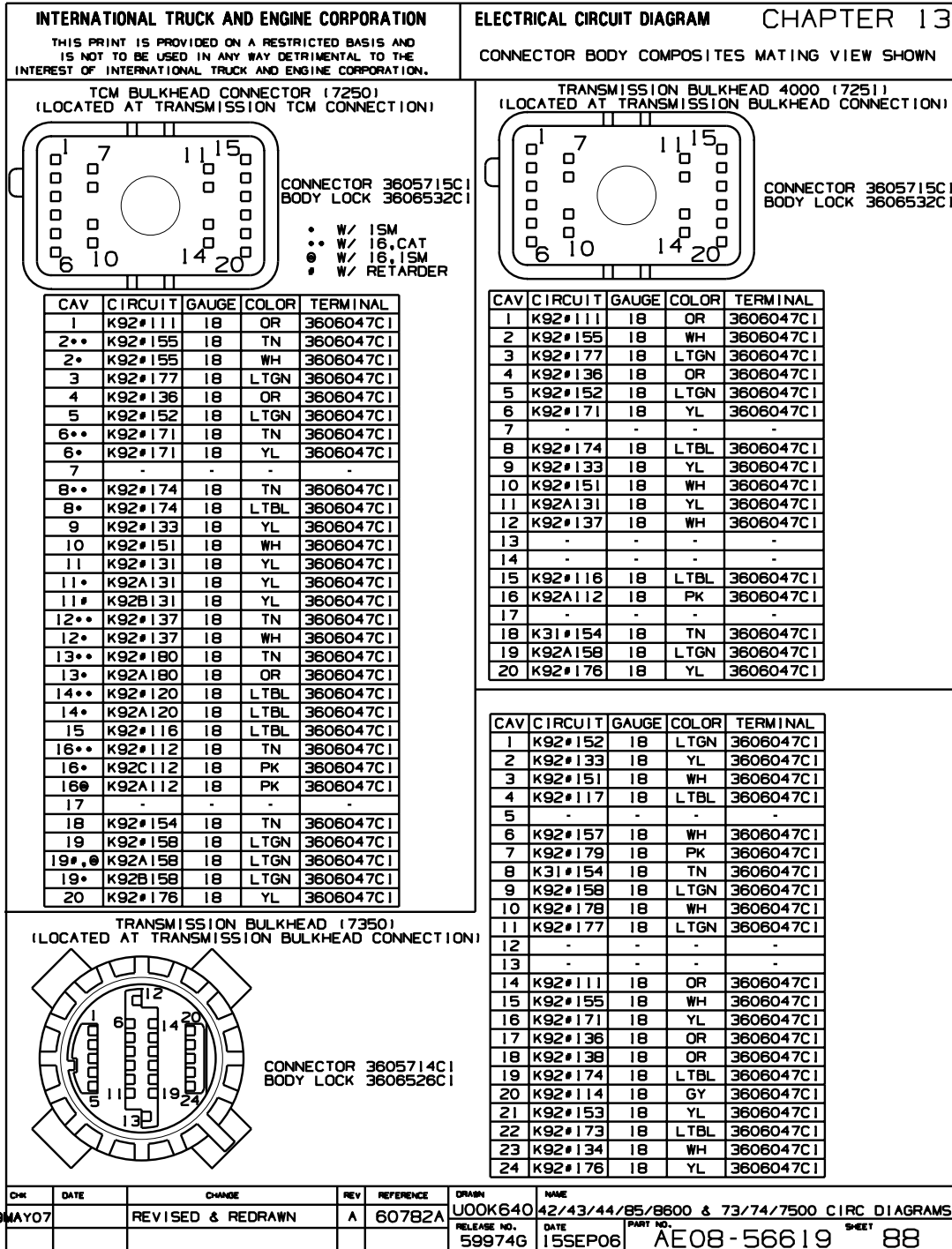


Figure 305 Connector Composites (7250), (7251), (7350)

13.94. CONNECTOR COMPOSITES (7500), (7502M), (7600), (7601), (7601M), P. 89

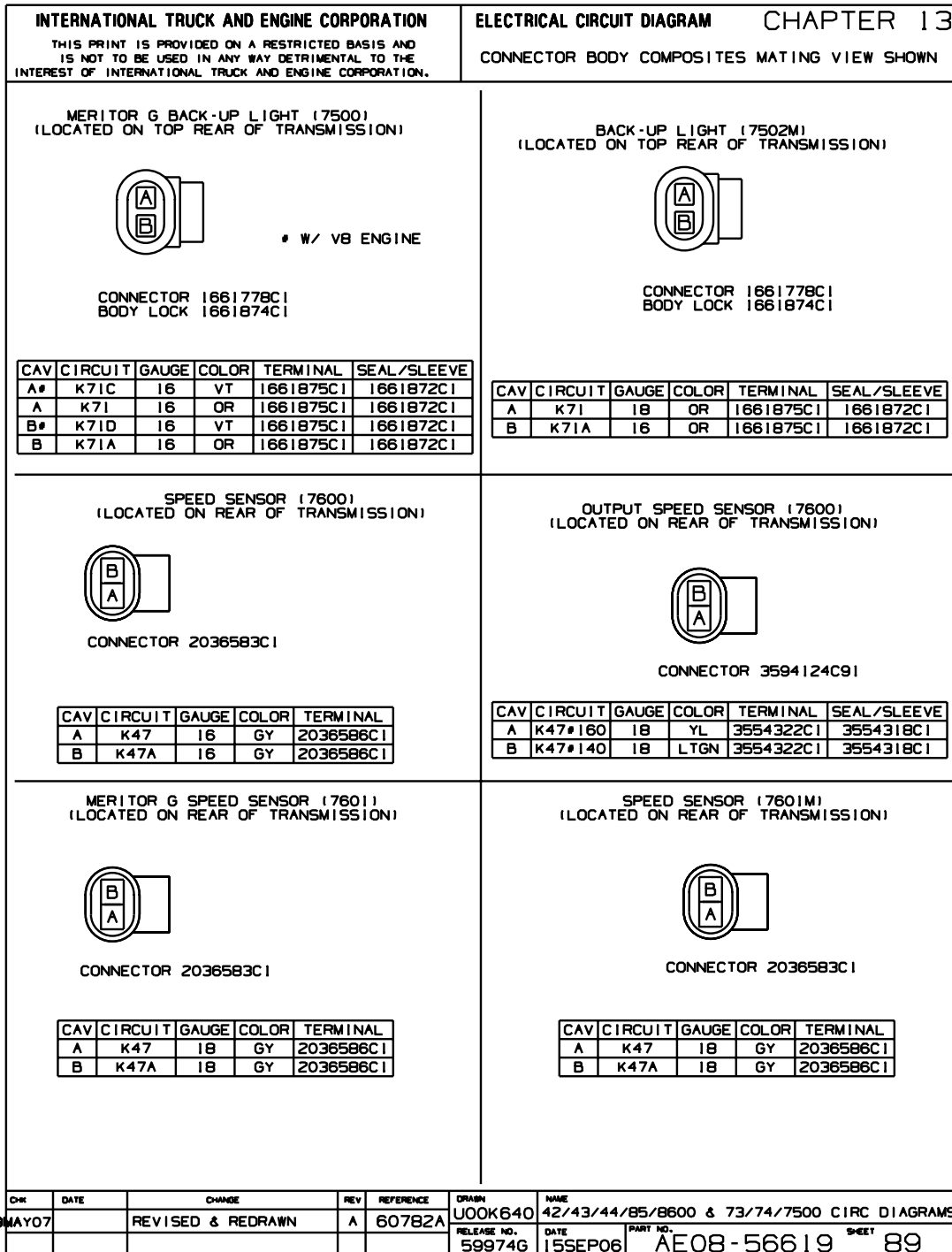


Figure 306 Connector Composites (7500), (7502M), (7600), (7601), (7601M)

13.95. CONNECTOR COMPOSITES (7602), (7603), (7604), (7605), (7607), (7608), (7609), (7611), P. 90


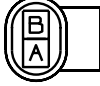
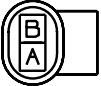


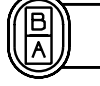
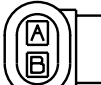

INTERNATIONAL TRUCK AND ENGINE CORPORATION				ELECTRICAL CIRCUIT DIAGRAM CHAPTER 13			
THIS PRINT IS PROVIDED ON A RESTRICTED BASIS AND IS NOT TO BE USED IN ANY WAY DETRIMENTAL TO THE INTEREST OF INTERNATIONAL TRUCK AND ENGINE CORPORATION.				CONNECTOR BODY COMPOSITES MATING VIEW SHOWN			
MANUAL SPEED SENSOR (7602) (LOCATED ON REAR OF TRANSMISSION)  CONNECTOR 2036583C1				ALLISON ENGINE SPEED SENSOR (7603) (LOCATED ON RIGHT OF TRANSMISSION)  CONNECTOR 3610533C1 BODY LOCK 3610532C1			
CAV	CIRCUIT	GAUGE	COLOR	TERMINAL	SEAL/SLEEVE		
A	K47D	1B	GN	2036586C1			
B	K47E	1B	GY	2036586C1			
CAV	CIRCUIT	GAUGE	COLOR	TERMINAL	SEAL/SLEEVE		
A*	K4B#159	1B	TN	3554322C1	3554318C1		
A	K92#165	1B	TN	3554322C1	3554318C1		
B*	K4B#139	1B	OR	3554322C1	3554318C1		
* W/ 16 OR V8							
ENGINE SPEED SENSOR (7604) (LOCATED ON RIGHT OF TRANSMISSION)  CONNECTOR 3594124C91				ALLISON O/P SPEED SENSOR (7605) (LOCATED ON REAR OF TRANSMISSION)  CONNECTOR 3610533C1 BODY LOCK 3610532C1			
CAV	CIRCUIT	GAUGE	COLOR	TERMINAL	SEAL/SLEEVE		
A	K4B#159	1B	TN	3554322C1	3554318C1		
B	K4B#139	1B	OR	3554322C1	3554318C1		
CAV	CIRCUIT	GAUGE	COLOR	TERMINAL	SEAL/SLEEVE		
A	K47#160	1B	YL	3554322C1	3554318C1		
B	K47#140	1B	LTGN	3554322C1	3554318C1		
TURBINE SPEED SENSOR (7607) (LOCATED ON RIGHT OF TRANSMISSION)  CONNECTOR 3594124C91				OUTPUT SPEED SENSOR (7608) (LOCATED ON REAR OF TRANSMISSION)  CONNECTOR 3610533C1 BODY LOCK 3610532C1			
CAV	CIRCUIT	GAUGE	COLOR	TERMINAL	SEAL/SLEEVE		
A	K92#180	1B	OR	3554322C1	3554318C1		
B	K92#120	1B	LTBL	3554322C1	3554318C1		
CAV	CIRCUIT	GAUGE	COLOR	TERMINAL	SEAL/SLEEVE		
A	K47#160	1B	YL	3554322C1	3554318C1		
B	K47#140	1B	LTGN	3554322C1	3554318C1		
SPEED SENSOR (7609) (LOCATED ON REAR OF TRANSMISSION)  CONNECTOR 2036583C1				SPEED SENSOR (7611) (LOCATED ON REAR OF TRANSMISSION)  CONNECTOR 1661778C1 BODY LOCK 1661874C1			
CAV	CIRCUIT	GAUGE	COLOR	TERMINAL	SEAL/SLEEVE		
A	K47	1B	GY	2036586C1			
B	K47A	1B	GY	2036586C1			
CAV	CIRCUIT	GAUGE	COLOR	TERMINAL	SEAL/SLEEVE		
A	K47	1B	GY	1661875C1	3568570C1		
B	K47A	1B	GY	1661875C1	3568570C1		
CHK	DATE	CHANGE	REV	REFERENCE	DRAWN	NAME	
	MAY07	REVISED & REDRAWN	A	607B2A	U00K640	42/43/44/85/8600 & 73/74/7500 CIRC DIAGRAMS	
					RELEASE NO.	DATE	PART NO.
					59974G	15SEP06	AE08-56619 90

Figure 307 Connector Composites (7602), (7603), (7604), (7605), (7607), (7608), (7609), (7611)

13.96. CONNECTOR COMPOSITES (7615), (7700), (7702), (7703), (7801), P. 91

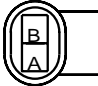
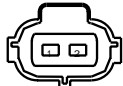

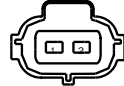

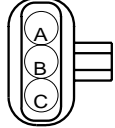
INTERNATIONAL TRUCK AND ENGINE CORPORATION		ELECTRICAL CIRCUIT DIAGRAM CHAPTER 13																																																																																																															
THIS PRINT IS PROVIDED ON A RESTRICTED BASIS AND IS NOT TO BE USED IN ANY WAY DETRIMENTAL TO THE INTEREST OF INTERNATIONAL TRUCK AND ENGINE CORPORATION.		CONNECTOR BODY COMPOSITES MATING VIEW SHOWN																																																																																																															
ALLISON TURBINE SPEED SENSOR (7615) (LOCATED ON RIGHT OF TRANSMISSION)  CONNECTOR 3610533C1 BODY LOCK 3610532C1		XMSN OIL TEMP SENSOR (7700) (LOCATED ON UNDERSIDE OF TRANSMISSION)  CONNECTOR 3536864C1																																																																																																															
<table border="1" style="width:100%; border-collapse: collapse; font-size: x-small;"> <thead> <tr> <th>CAV</th> <th>CIRCUIT</th> <th>GAUGE</th> <th>COLOR</th> <th>TERMINAL</th> <th>SEAL/SLEEVE</th> </tr> </thead> <tbody> <tr> <td>A*</td> <td>K92#180</td> <td>18</td> <td>OR</td> <td>3554322C1</td> <td>3554318C1</td> </tr> <tr> <td>B#</td> <td>K92C120</td> <td>18</td> <td>LTBL</td> <td>3554322C1</td> <td>3554318C1</td> </tr> <tr> <td>B@</td> <td>K92#120</td> <td>18</td> <td>LTBL</td> <td>3554322C1</td> <td>3554318C1</td> </tr> <tr> <td>B#</td> <td>K92#120</td> <td>18</td> <td>DKBL</td> <td>3554322C1</td> <td>3554318C1</td> </tr> </tbody> </table> <p style="font-size: x-small; text-align: center;">* W/ I6, V8 & ISM ENGINE # W/ I6 & V8 ENGINE @ W/ ISM ENGINE</p>		CAV	CIRCUIT	GAUGE	COLOR	TERMINAL	SEAL/SLEEVE	A*	K92#180	18	OR	3554322C1	3554318C1	B#	K92C120	18	LTBL	3554322C1	3554318C1	B@	K92#120	18	LTBL	3554322C1	3554318C1	B#	K92#120	18	DKBL	3554322C1	3554318C1	<table border="1" style="width:100%; border-collapse: collapse; font-size: x-small;"> <thead> <tr> <th>CAV</th> <th>CIRCUIT</th> <th>GAUGE</th> <th>COLOR</th> <th>TERMINAL</th> <th>SEAL/SLEEVE</th> </tr> </thead> <tbody> <tr> <td>1*</td> <td>K31B</td> <td>18</td> <td>TN</td> <td>3561584C1</td> <td>3536868C1</td> </tr> <tr> <td>1*</td> <td>K31E</td> <td>18</td> <td>TN</td> <td>3561584C1</td> <td>3536868C1</td> </tr> <tr> <td>1*</td> <td>K31</td> <td>18</td> <td>TN</td> <td>3561584C1</td> <td>3536868C1</td> </tr> <tr> <td>1*</td> <td>K31H</td> <td>18</td> <td>TN</td> <td>3536865C1</td> <td>3536868C1</td> </tr> <tr> <td>2*</td> <td>K9AB</td> <td>18</td> <td>TN</td> <td>3561584C1</td> <td>3536868C1</td> </tr> <tr> <td>2*</td> <td>K9AB</td> <td>18</td> <td>GY</td> <td>3561584C1</td> <td>3536868C1</td> </tr> <tr> <td>2*</td> <td>K9AC</td> <td>18</td> <td>GY</td> <td>3561584C1</td> <td>3536868C1</td> </tr> <tr> <td>2*</td> <td>K9AA</td> <td>16</td> <td>GY</td> <td>3561584C1</td> <td>3536868C1</td> </tr> <tr> <td>2*</td> <td>K9AC</td> <td>18</td> <td>TN</td> <td>3561584C1</td> <td>3536868C1</td> </tr> <tr> <td>2*</td> <td>K9AC</td> <td>18</td> <td>GY</td> <td>3561584C1</td> <td>3536868C1</td> </tr> <tr> <td>2*</td> <td>K9AAD</td> <td>18</td> <td>GY</td> <td>3536865C1</td> <td>3536868C1</td> </tr> <tr> <td>2*</td> <td>K9T</td> <td>18</td> <td>GY</td> <td>3536865C1</td> <td>3536868C1</td> </tr> </tbody> </table> <p style="font-size: x-small; text-align: center;">* W/ MUTUALLY EXCLUSIVE</p>				CAV	CIRCUIT	GAUGE	COLOR	TERMINAL	SEAL/SLEEVE	1*	K31B	18	TN	3561584C1	3536868C1	1*	K31E	18	TN	3561584C1	3536868C1	1*	K31	18	TN	3561584C1	3536868C1	1*	K31H	18	TN	3536865C1	3536868C1	2*	K9AB	18	TN	3561584C1	3536868C1	2*	K9AB	18	GY	3561584C1	3536868C1	2*	K9AC	18	GY	3561584C1	3536868C1	2*	K9AA	16	GY	3561584C1	3536868C1	2*	K9AC	18	TN	3561584C1	3536868C1	2*	K9AC	18	GY	3561584C1	3536868C1	2*	K9AAD	18	GY	3536865C1	3536868C1	2*	K9T	18	GY	3536865C1	3536868C1
CAV	CIRCUIT	GAUGE	COLOR	TERMINAL	SEAL/SLEEVE																																																																																																												
A*	K92#180	18	OR	3554322C1	3554318C1																																																																																																												
B#	K92C120	18	LTBL	3554322C1	3554318C1																																																																																																												
B@	K92#120	18	LTBL	3554322C1	3554318C1																																																																																																												
B#	K92#120	18	DKBL	3554322C1	3554318C1																																																																																																												
CAV	CIRCUIT	GAUGE	COLOR	TERMINAL	SEAL/SLEEVE																																																																																																												
1*	K31B	18	TN	3561584C1	3536868C1																																																																																																												
1*	K31E	18	TN	3561584C1	3536868C1																																																																																																												
1*	K31	18	TN	3561584C1	3536868C1																																																																																																												
1*	K31H	18	TN	3536865C1	3536868C1																																																																																																												
2*	K9AB	18	TN	3561584C1	3536868C1																																																																																																												
2*	K9AB	18	GY	3561584C1	3536868C1																																																																																																												
2*	K9AC	18	GY	3561584C1	3536868C1																																																																																																												
2*	K9AA	16	GY	3561584C1	3536868C1																																																																																																												
2*	K9AC	18	TN	3561584C1	3536868C1																																																																																																												
2*	K9AC	18	GY	3561584C1	3536868C1																																																																																																												
2*	K9AAD	18	GY	3536865C1	3536868C1																																																																																																												
2*	K9T	18	GY	3536865C1	3536868C1																																																																																																												
XMSN OIL TEMP SENSOR (7700) (LOCATED ON UNDERSIDE OF TRANSMISSION)  CONNECTOR 3536864C1		XMSN OIL TEMP SENSOR (7702) (LOCATED ON UNDERSIDE OF TRANSMISSION)  CONNECTOR 3536864C1																																																																																																															
<table border="1" style="width:100%; border-collapse: collapse; font-size: x-small;"> <thead> <tr> <th>CAV</th> <th>CIRCUIT</th> <th>GAUGE</th> <th>COLOR</th> <th>TERMINAL</th> <th>SEAL/SLEEVE</th> </tr> </thead> <tbody> <tr> <td>1*</td> <td>K31B</td> <td>18</td> <td>TN</td> <td>3536865C1</td> <td>3536868C1</td> </tr> <tr> <td>1#</td> <td>K31H</td> <td>18</td> <td>TN</td> <td>3561584C1</td> <td>3536868C1</td> </tr> <tr> <td>2*</td> <td>K9T</td> <td>18</td> <td>GY</td> <td>3536865C1</td> <td>3536868C1</td> </tr> <tr> <td>2#</td> <td>K9AAD</td> <td>18</td> <td>GY</td> <td>3561584C1</td> <td>3536868C1</td> </tr> </tbody> </table> <p style="font-size: x-small; text-align: center;">* W/ I6 ENGINE # W/ CAT ENGINE</p>		CAV	CIRCUIT	GAUGE	COLOR	TERMINAL	SEAL/SLEEVE	1*	K31B	18	TN	3536865C1	3536868C1	1#	K31H	18	TN	3561584C1	3536868C1	2*	K9T	18	GY	3536865C1	3536868C1	2#	K9AAD	18	GY	3561584C1	3536868C1	<table border="1" style="width:100%; border-collapse: collapse; font-size: x-small;"> <thead> <tr> <th>CAV</th> <th>CIRCUIT</th> <th>GAUGE</th> <th>COLOR</th> <th>TERMINAL</th> <th>SEAL/SLEEVE</th> </tr> </thead> <tbody> <tr> <td>1</td> <td>K31F</td> <td>18</td> <td>TN</td> <td>3536865C1</td> <td>3536868C1</td> </tr> <tr> <td>2</td> <td>K9T</td> <td>18</td> <td>GY</td> <td>3536865C1</td> <td>3536868C1</td> </tr> <tr> <td>2*</td> <td>K31G</td> <td>18</td> <td>VT</td> <td>3536865C1</td> <td>3536868C1</td> </tr> </tbody> </table> <p style="font-size: x-small; text-align: center;">* W/ V8 ENGINE</p>				CAV	CIRCUIT	GAUGE	COLOR	TERMINAL	SEAL/SLEEVE	1	K31F	18	TN	3536865C1	3536868C1	2	K9T	18	GY	3536865C1	3536868C1	2*	K31G	18	VT	3536865C1	3536868C1																																																						
CAV	CIRCUIT	GAUGE	COLOR	TERMINAL	SEAL/SLEEVE																																																																																																												
1*	K31B	18	TN	3536865C1	3536868C1																																																																																																												
1#	K31H	18	TN	3561584C1	3536868C1																																																																																																												
2*	K9T	18	GY	3536865C1	3536868C1																																																																																																												
2#	K9AAD	18	GY	3561584C1	3536868C1																																																																																																												
CAV	CIRCUIT	GAUGE	COLOR	TERMINAL	SEAL/SLEEVE																																																																																																												
1	K31F	18	TN	3536865C1	3536868C1																																																																																																												
2	K9T	18	GY	3536865C1	3536868C1																																																																																																												
2*	K31G	18	VT	3536865C1	3536868C1																																																																																																												
XMSN OIL TEMP SENSOR (7703) (LOCATED ON UNDERSIDE OF TRANSMISSION)  CONNECTOR 3536864C1		TERMINATING RESISTOR (7801) (LOCATED NEAR THE ENGINE ECM CONNECTION)  CONNECTOR 1667740C1 BODY LOCK 1667771C1																																																																																																															
<table border="1" style="width:100%; border-collapse: collapse; font-size: x-small;"> <thead> <tr> <th>CAV</th> <th>CIRCUIT</th> <th>GAUGE</th> <th>COLOR</th> <th>TERMINAL</th> <th>SEAL/SLEEVE</th> </tr> </thead> <tbody> <tr> <td>1</td> <td>K31E</td> <td>16</td> <td>TN</td> <td>3536865C1</td> <td>3536868C1</td> </tr> <tr> <td>2</td> <td>K9T</td> <td>18</td> <td>GY</td> <td>3536865C1</td> <td>3536868C1</td> </tr> </tbody> </table>		CAV	CIRCUIT	GAUGE	COLOR	TERMINAL	SEAL/SLEEVE	1	K31E	16	TN	3536865C1	3536868C1	2	K9T	18	GY	3536865C1	3536868C1	<table border="1" style="width:100%; border-collapse: collapse; font-size: x-small;"> <thead> <tr> <th>CAV</th> <th>CIRCUIT</th> <th>GAUGE</th> <th>COLOR</th> <th>TERMINAL</th> <th>SEAL/SLEEVE</th> </tr> </thead> <tbody> <tr> <td>A</td> <td>K5E(+)</td> <td>18</td> <td>YL</td> <td>1667742C1</td> <td>3568570C1</td> </tr> <tr> <td>B</td> <td>PLUG</td> <td>-</td> <td>-</td> <td>2025431C1</td> <td>-</td> </tr> <tr> <td>C</td> <td>K5E(-)</td> <td>18</td> <td>GN</td> <td>1667742C1</td> <td>3568570C1</td> </tr> </tbody> </table>				CAV	CIRCUIT	GAUGE	COLOR	TERMINAL	SEAL/SLEEVE	A	K5E(+)	18	YL	1667742C1	3568570C1	B	PLUG	-	-	2025431C1	-	C	K5E(-)	18	GN	1667742C1	3568570C1																																																																		
CAV	CIRCUIT	GAUGE	COLOR	TERMINAL	SEAL/SLEEVE																																																																																																												
1	K31E	16	TN	3536865C1	3536868C1																																																																																																												
2	K9T	18	GY	3536865C1	3536868C1																																																																																																												
CAV	CIRCUIT	GAUGE	COLOR	TERMINAL	SEAL/SLEEVE																																																																																																												
A	K5E(+)	18	YL	1667742C1	3568570C1																																																																																																												
B	PLUG	-	-	2025431C1	-																																																																																																												
C	K5E(-)	18	GN	1667742C1	3568570C1																																																																																																												
CHK	DATE	CHANGE	REV	REFERENCE	DRAWN	NAME																																																																																																											
RAW6	04DEC07	REVISED AND REDRAWN	B	61000T	U00K640	CIRCUIT DIAGRAM, 42/43/44/85/8600 & 73/74/7500																																																																																																											
					RELEASE NO.	DATE																																																																																																											
					59974G	15SEP06																																																																																																											
						PART NO.																																																																																																											
						AE08056619																																																																																																											
						SHEET																																																																																																											
						091																																																																																																											

Figure 308 Connector Composites (7615), (7700), (7702), (7703), (7801)

13.97. CONNECTOR COMPOSITES (7801M), (7802), P. 92

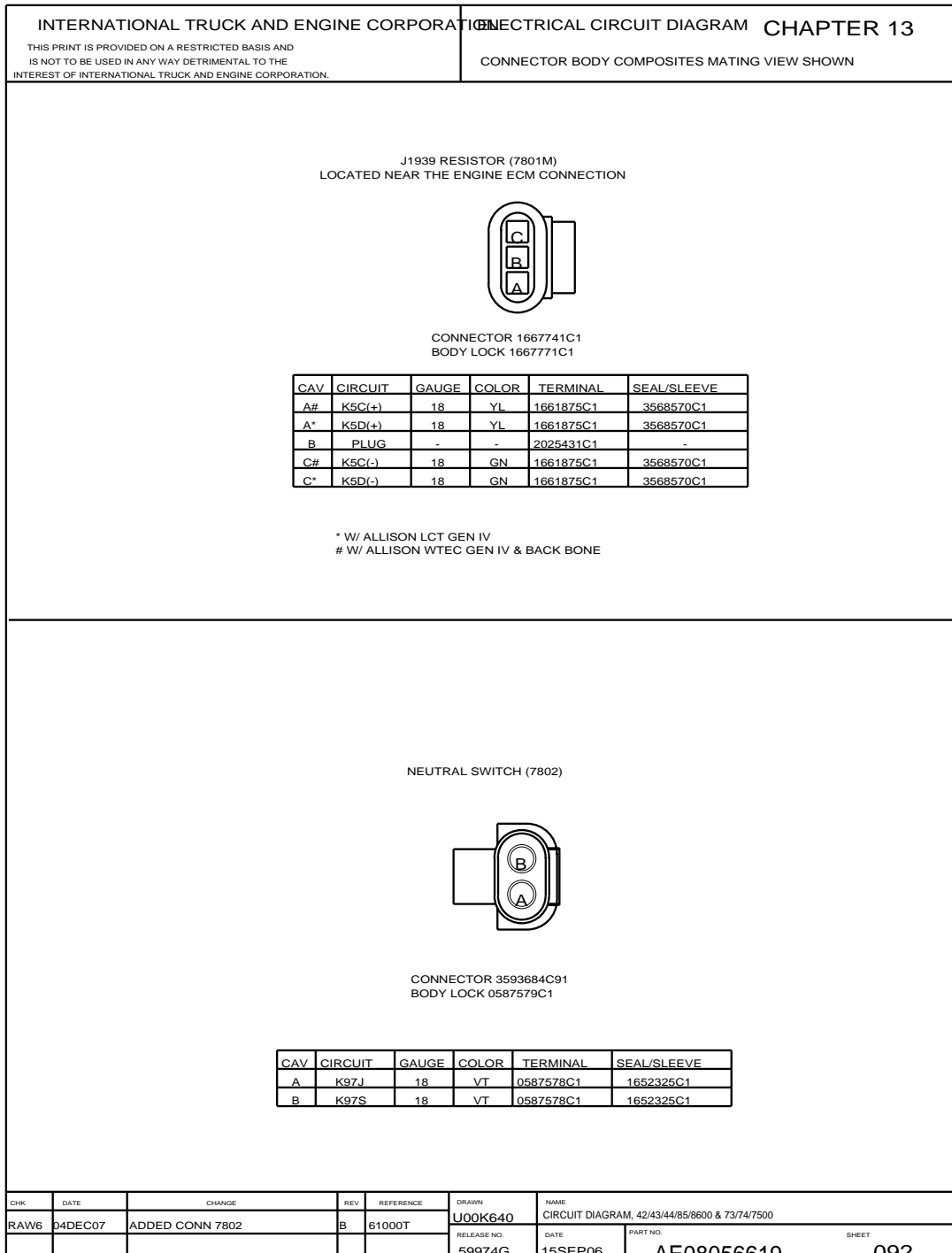


Figure 309 Connector Composites (7801M), (7802)

13.98. CONNECTOR COMPOSITES (7905), (7909), P. 93

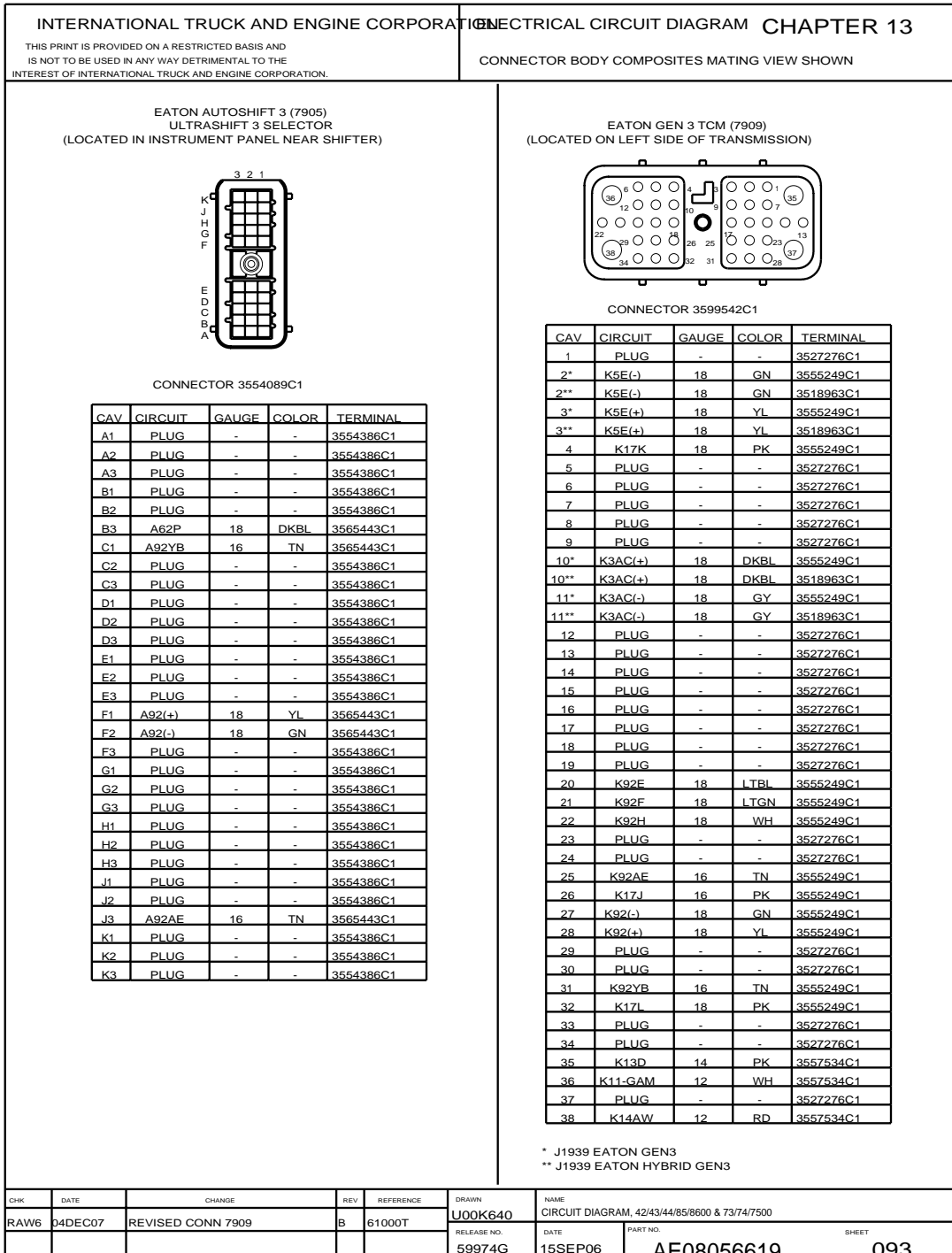


Figure 310 Connector Composites (7905), (7909)

13.99. CONNECTOR COMPOSITES (7910), (7911), P. 93A

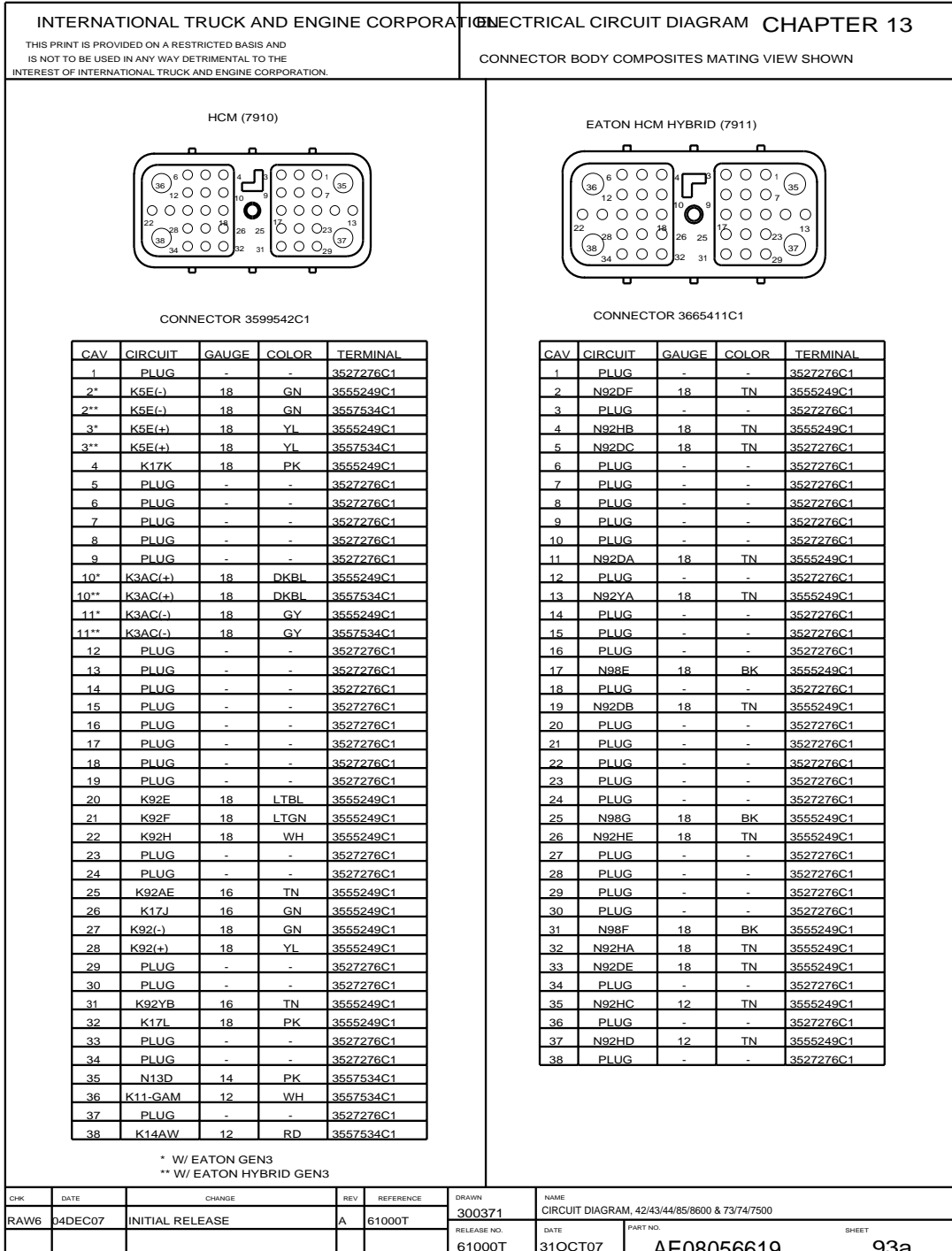


Figure 311 Connector Composites (7910), (7911)

13.100. CONNECTOR COMPOSITES (8000), (8001), (8102), (8103), (8150), (8151), P. 94

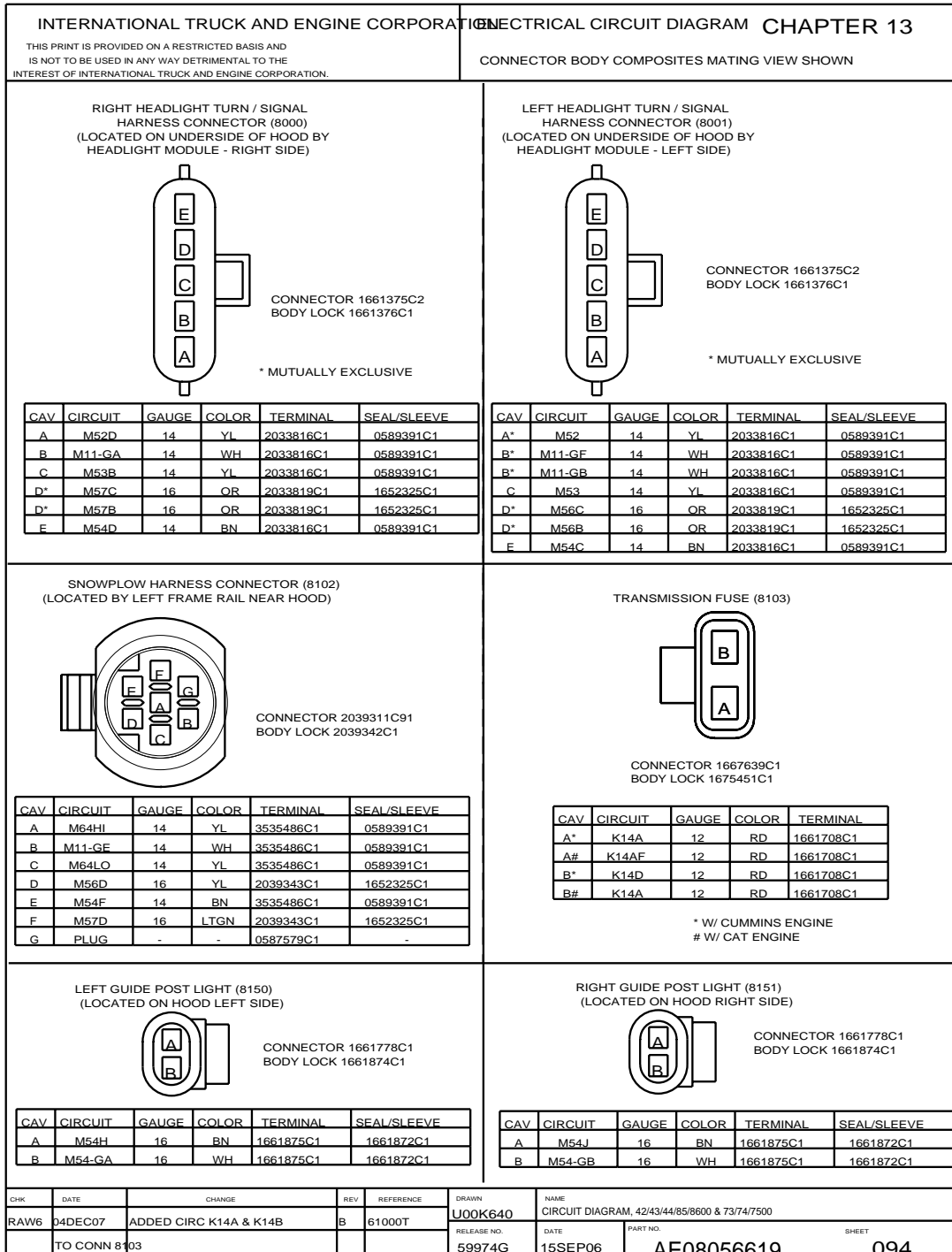


Figure 312 Connector Composites (8000), (8001), (8102), (8103), (8150), (8151)

13.101. CONNECTOR COMPOSITES (8200), (8201), (8301), (8303), (8305), (8310), (8311), P. 95

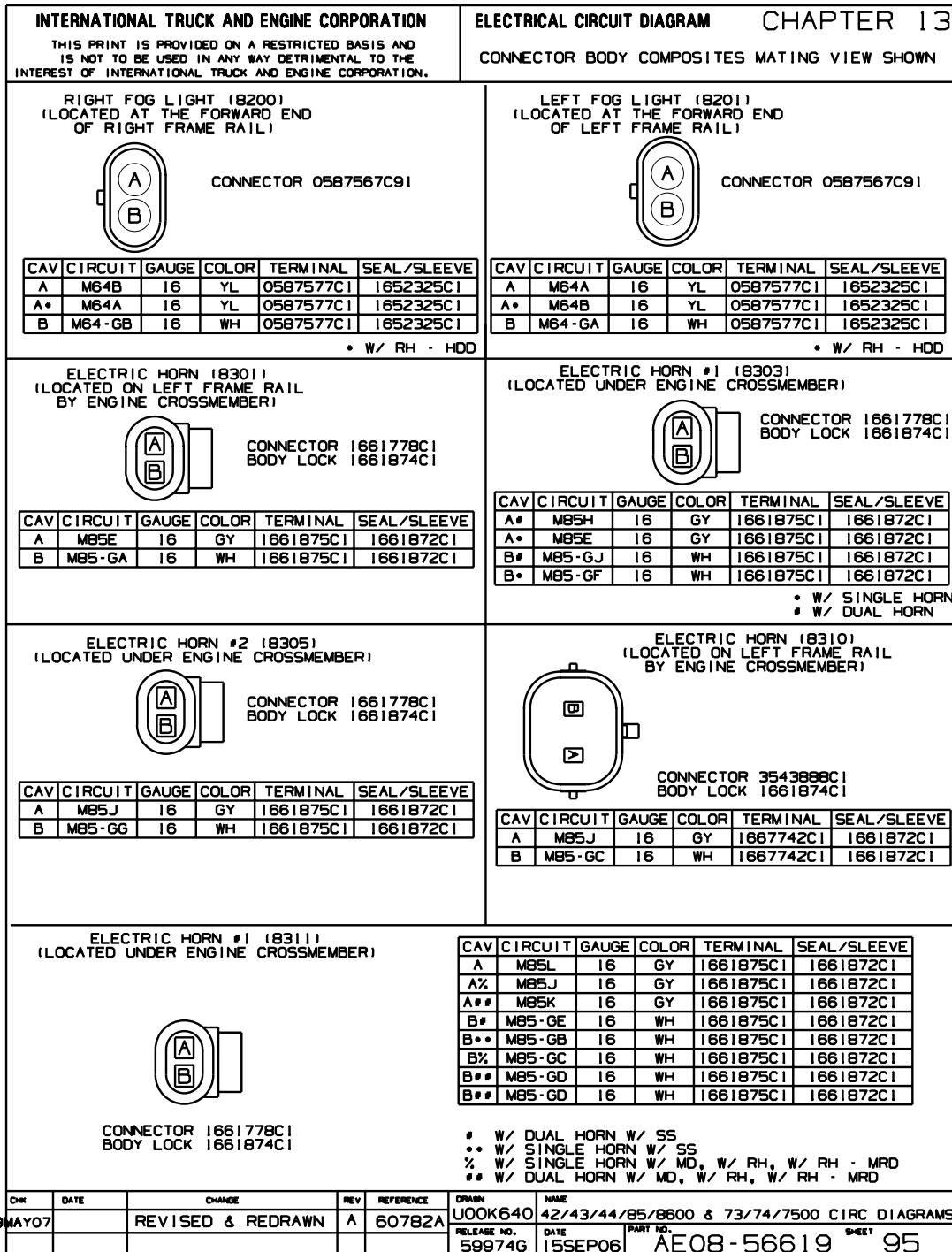


Figure 313 Connector Composites (8200), (8201), (8301), (8303), (8305), (8310), (8311)

13.102. CONNECTOR COMPOSITES (8312), (8500), (8501), (8502), (8502A), (8503), (8503A), P. 96

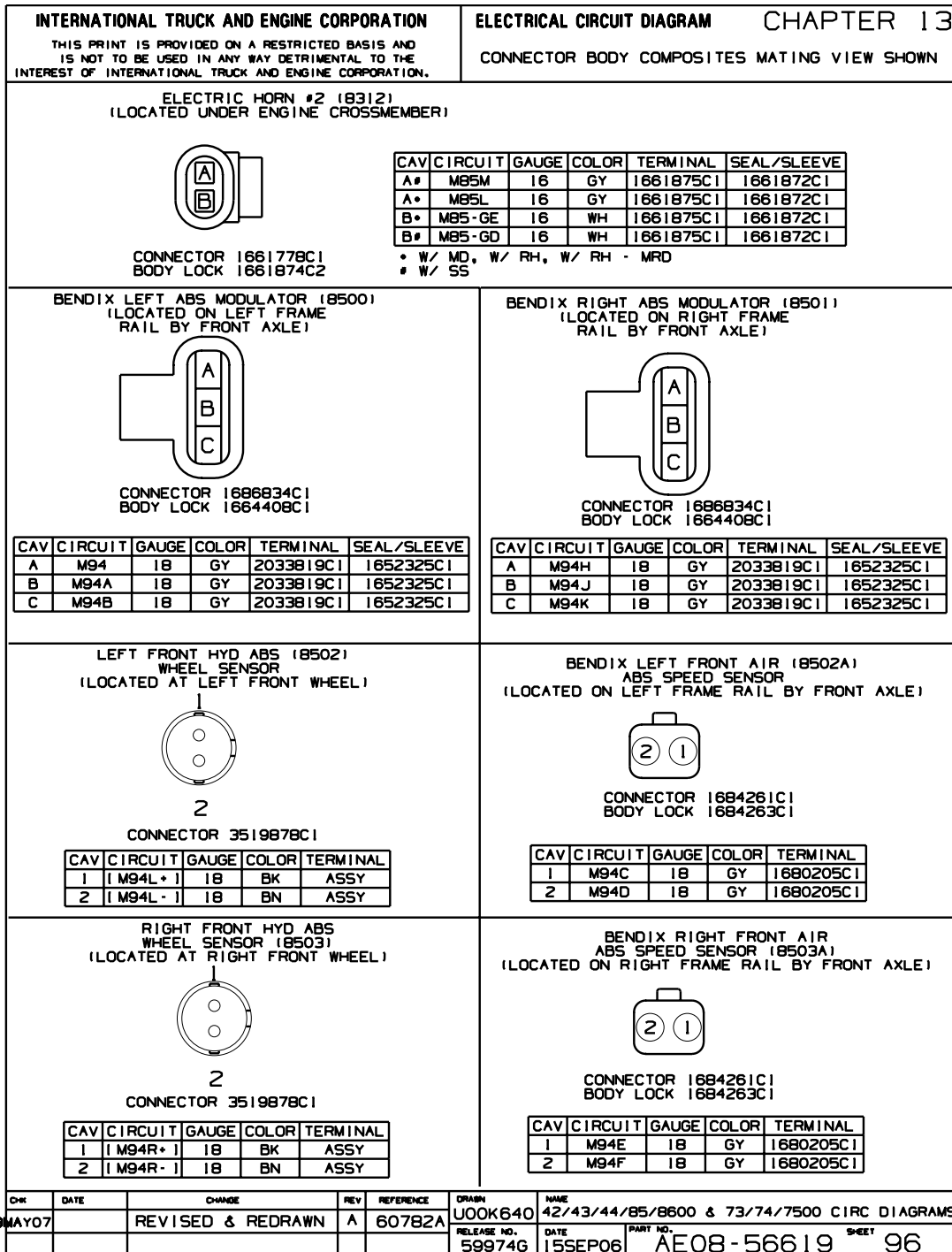


Figure 314 Connector Composites (8312), (8500), (8501), (8502), (8502A), (8503), (8503A)

13.103. CONNECTOR COMPOSITES (8505), (8506), (8507), (8508), (8509), (8601), (8602), P. 97

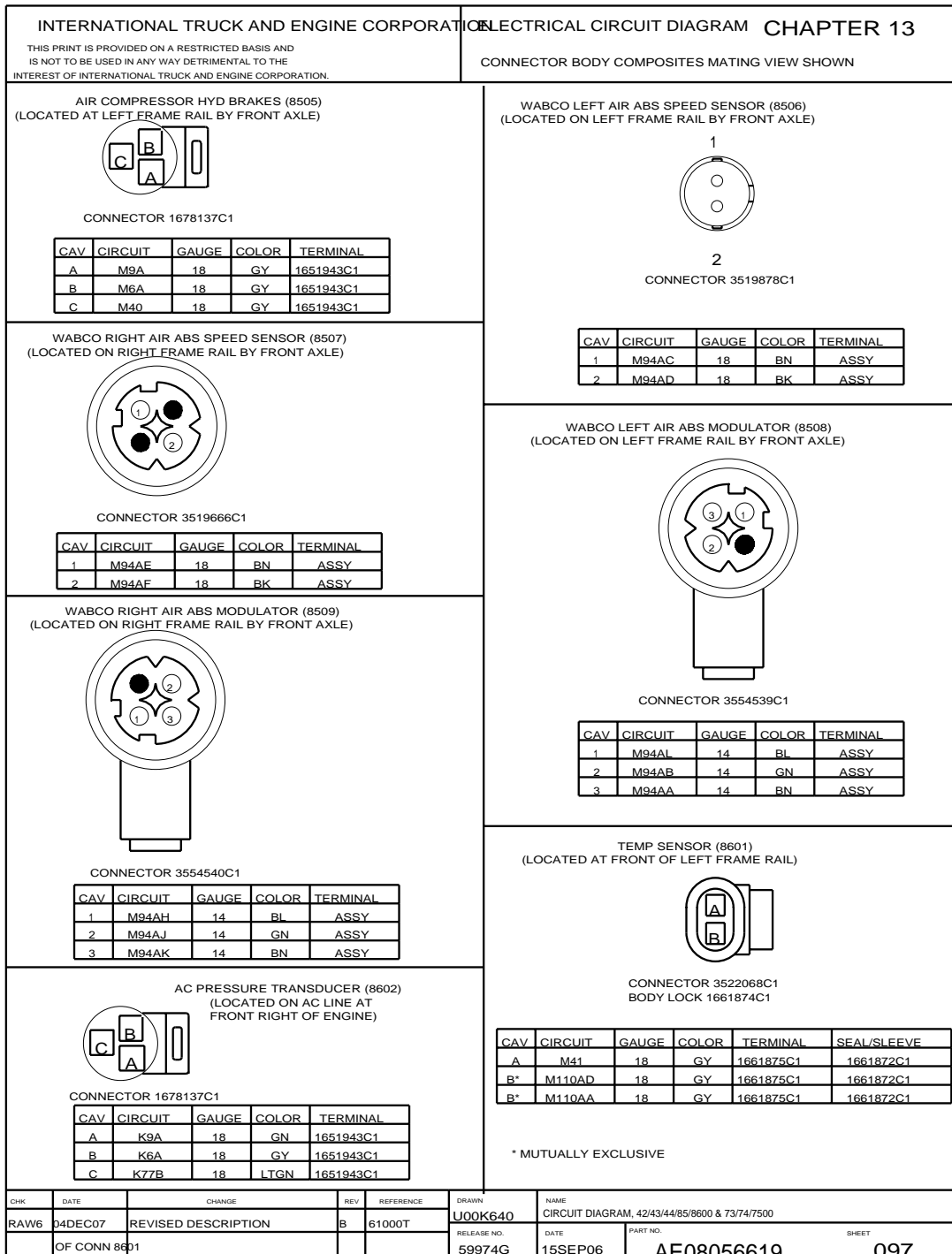


Figure 315 Connector Composites (8505), (8506), (8507), (8508), (8509), (8601), (8602)

13.104. CONNECTOR COMPOSITES (8700), (8701), (8750), P. 97A

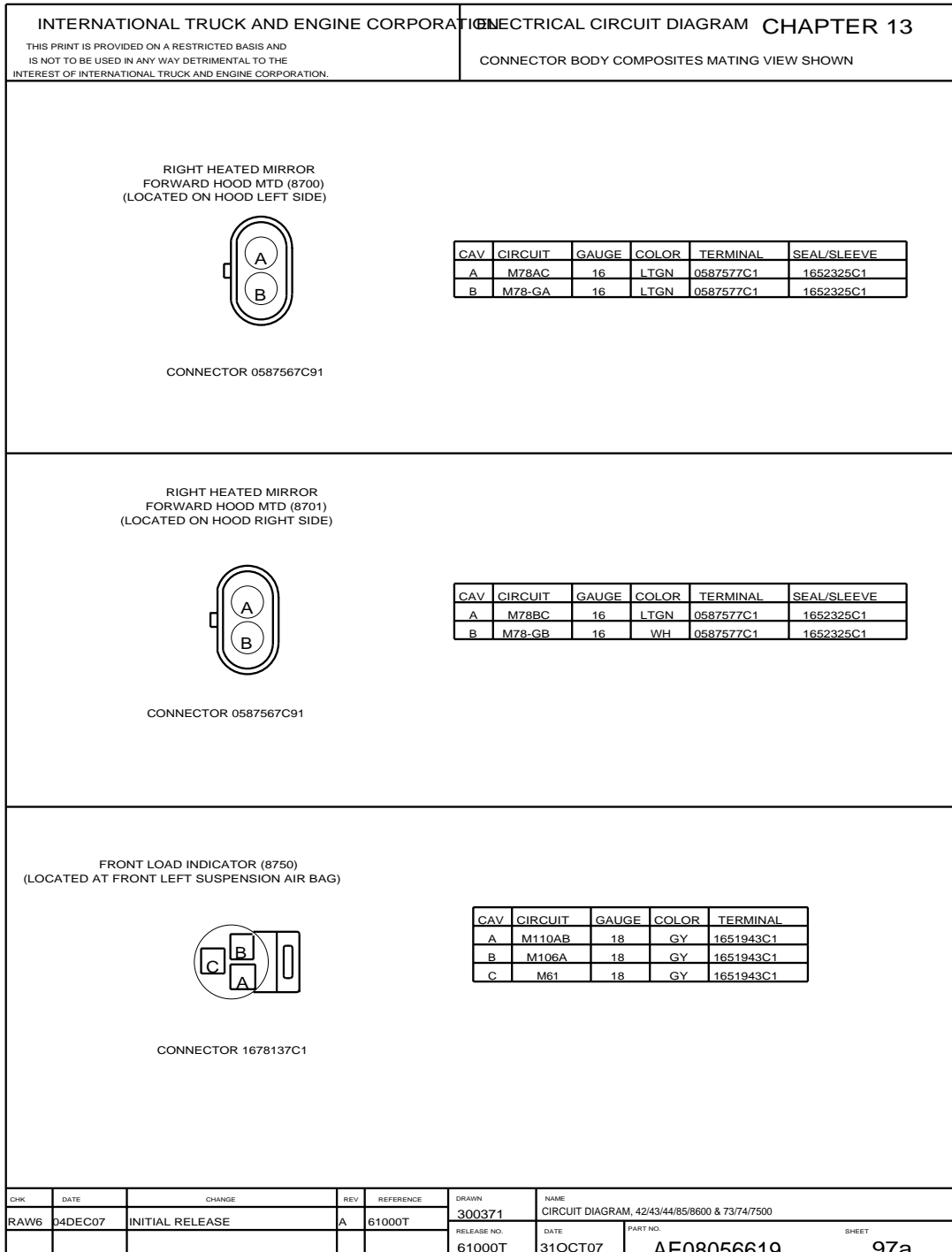


Figure 316 Connector Composites (8700), (8701), (8750)

13.105. CONNECTOR COMPOSITES (8800), (8801), (8802), (8803), P. 98

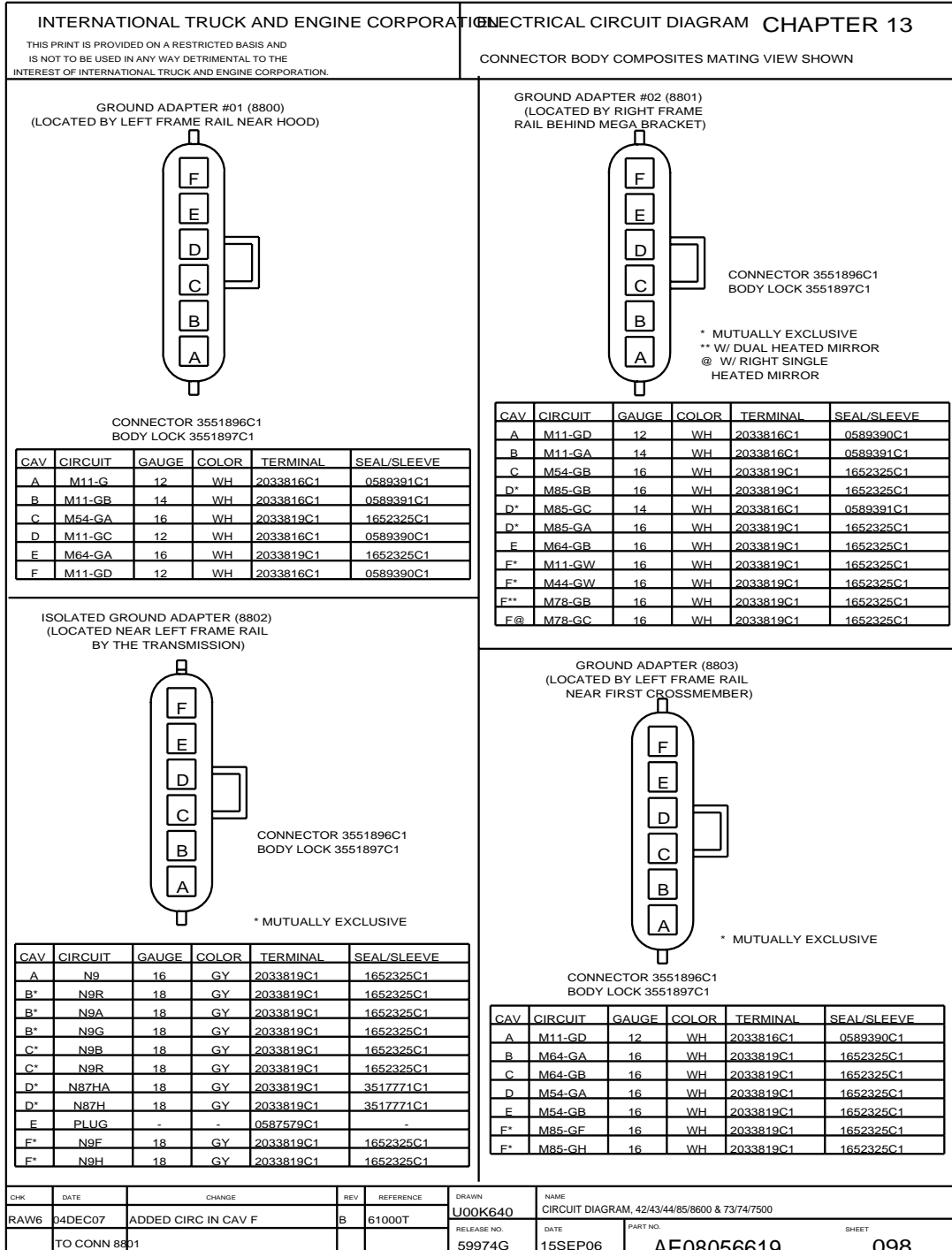


Figure 317 Connector Composites (8800), (8801), (8802), (8803)

13.106. CONNECTOR COMPOSITES (8803), (8805), (8806), P. 99

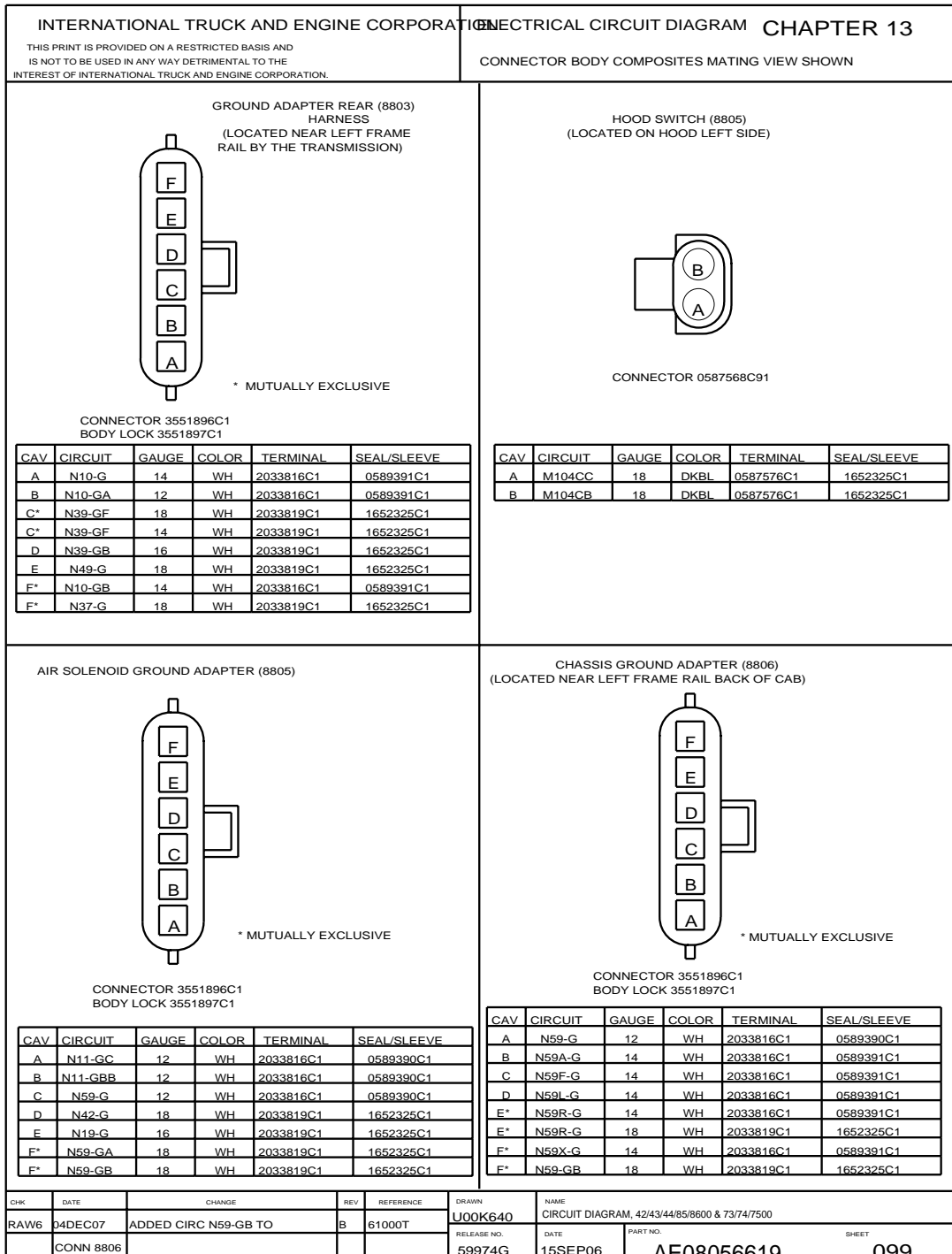


Figure 318 Connector Composites (8803), (8805), (8806)

13.107. CONNECTOR COMPOSITES (8807), (8809), (8900), (9001), P. 100

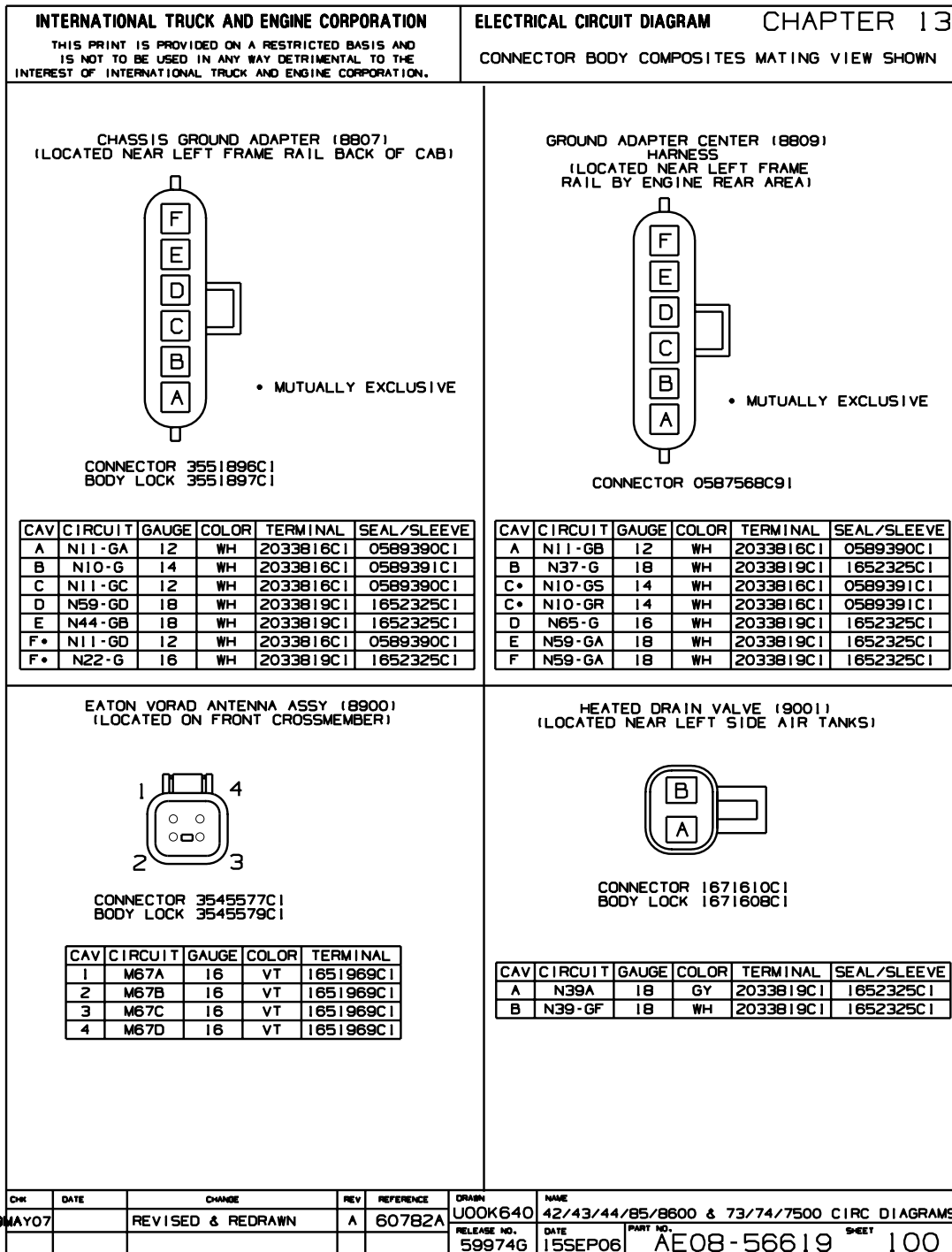


Figure 319 Connector Composites (8807), (8809), (8900), (9001)

13.108. CONNECTOR COMPOSITES (9100), (9101), (9102), (9103), (9108), (9255), (9260), (9261), (9280), P. 101

INTERNATIONAL TRUCK AND ENGINE CORPORATION				ELECTRICAL CIRCUIT DIAGRAM CHAPTER 13			
THIS PRINT IS PROVIDED ON A RESTRICTED BASIS AND IS NOT TO BE USED IN ANY WAY DETRIMENTAL TO THE INTEREST OF INTERNATIONAL TRUCK AND ENGINE CORPORATION.				CONNECTOR BODY COMPOSITES MATING VIEW SHOWN			
<p>LEFT FUEL LEVEL SENSOR STORAGE TANK (9100) (LOCATED ON LEFT SIDE FUEL TANK) CONNECTOR 1661778C1 BODY LOCK 1661874C1</p>				<p>LEFT FUEL LEVEL SENSOR STORAGE TANK (LOCATED ON LEFT SIDE FUEL TANK) CONNECTOR 1661778C1 BODY LOCK 1661874C1</p>			
CAV	CIRCUIT	GAUGE	COLOR	TERMINAL	SEAL/SLEEVE		
A	R36	18	TN	1661875C1	1661872C1		
B	R9D	18	GY	1661875C1	1661872C1		
<p>RIGHT FUEL LEVEL SENSOR (9101) DRAW TANK (LOCATED ON RIGHT SIDE FUEL TANK) CONNECTOR 1661778C1 BODY LOCK 1661874C1</p>				<p>FUEL TRANSFER PUMP (9102) (XMSN MOUNTED) (LOCATED ON FUEL PUMP - TOP OF BELL HOUSING) CONNECTOR 3522068C1 BODY LOCK 1661874C1</p>			
CAV	CIRCUIT	GAUGE	COLOR	TERMINAL	SEAL/SLEEVE		
A	N36A	18	TN	1661875C1	1661872C1		
B	N9B	18	GY	1661875C1	1661872C1		
<p>RH-HDD RIGHT FUEL LEVEL SENSOR (9103) DRAW TANK (LOCATED AT RIGHT SIDE FUEL TANK) CONNECTOR 1661778C1 BODY LOCK 1661874C1</p>				<p>FUEL HEATER (9108) (LOCATED ON LEFT FRAME RAIL BY FRONT AXLE) CONNECTOR 0587567C91</p>			
CAV	CIRCUIT	GAUGE	COLOR	TERMINAL	SEAL/SLEEVE		
A	N36A	18	TN	1661875C1	1661872C1		
B	N9R	18	GY	1661875C1	1661872C1		
<p>TRANS ECU FEED FUSE (9255) CONNECTOR 1667639C1</p>				<p>ECM NEGATIVE (9260) CONNECTOR 2031520C1 BODY LOCK 2033927C1</p>			
CAV	CIRCUIT	GAUGE	COLOR	TERMINAL	SEAL/SLEEVE		
A	N14AZ	10	RD	1661708C1			
B	N14BB	10	RD	1661708C1			
<p>ECM POSITIVE (9261) CONNECTOR 2031522C1 BODY LOCK 2033927C1</p>				<p>HYD PUMP POSITIVE FEED (9280) CONNECTOR 3525613C1</p>			
CAV	CIRCUIT	GAUGE	COLOR	TERMINAL	SEAL/SLEEVE		
A	N14BB	10	RD	2031531C1	2025427C1		
B	PLUG	-	-	2025432C1	-		
<p>HYD PUMP POSITIVE FEED (9280) CONNECTOR 3525613C1</p>				<p>CONNECTOR 3525613C1</p>			
CAV	CIRCUIT	GAUGE	COLOR	TERMINAL	SEAL/SLEEVE		
A	N14KA	10	RD	3515522C1			
B	N14KB	10	RD	3515522C1			
CHK	DATE	CHANGE	REV	REFERENCE	DRAWN	NAME	
RAW6	04DEC07	REVISED DESCRIPTION	C	61000T	U00K640	CIRCUIT DIAGRAM, 42/43/44/85/8600 & 73/74/7500	
		FOR CONN # 9100,9101 & 9103			RELEASE NO. 59974G	DATE 07AUG06	PART NO. AE08056619 SHEET 101

Figure 320 Connector Composites (9100), (9101), (9102), (9103), (9108), (9255), (9260), (9261), (9280)

13.109. CONNECTOR COMPOSITES (9300), (9303), P. 102

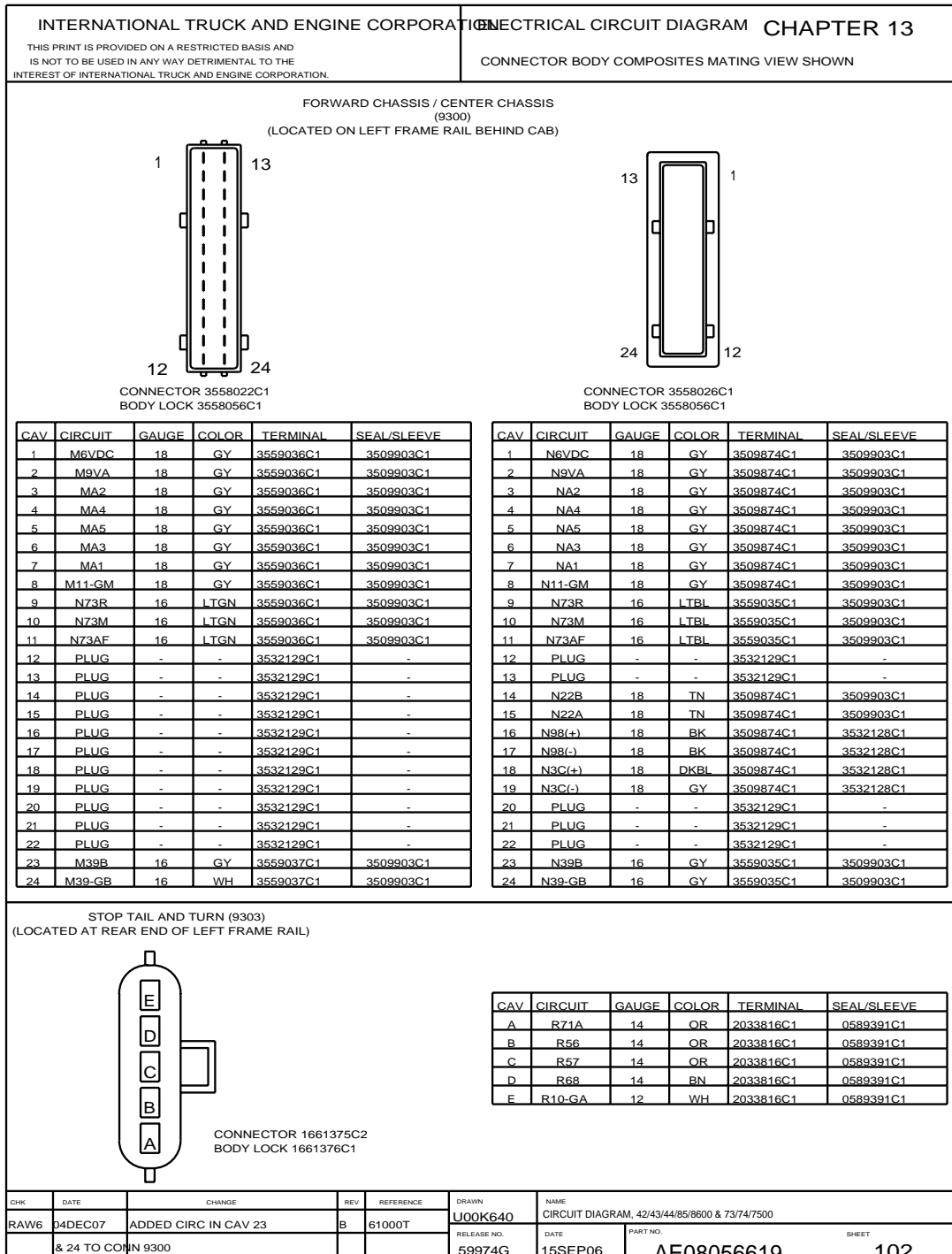


Figure 321 Connector Composites (9300), (9303)

13.110. CONNECTOR COMPOSITES (9310), (9311), (9315), (9316), (9501), (9502), (9503), (9504), P. 103

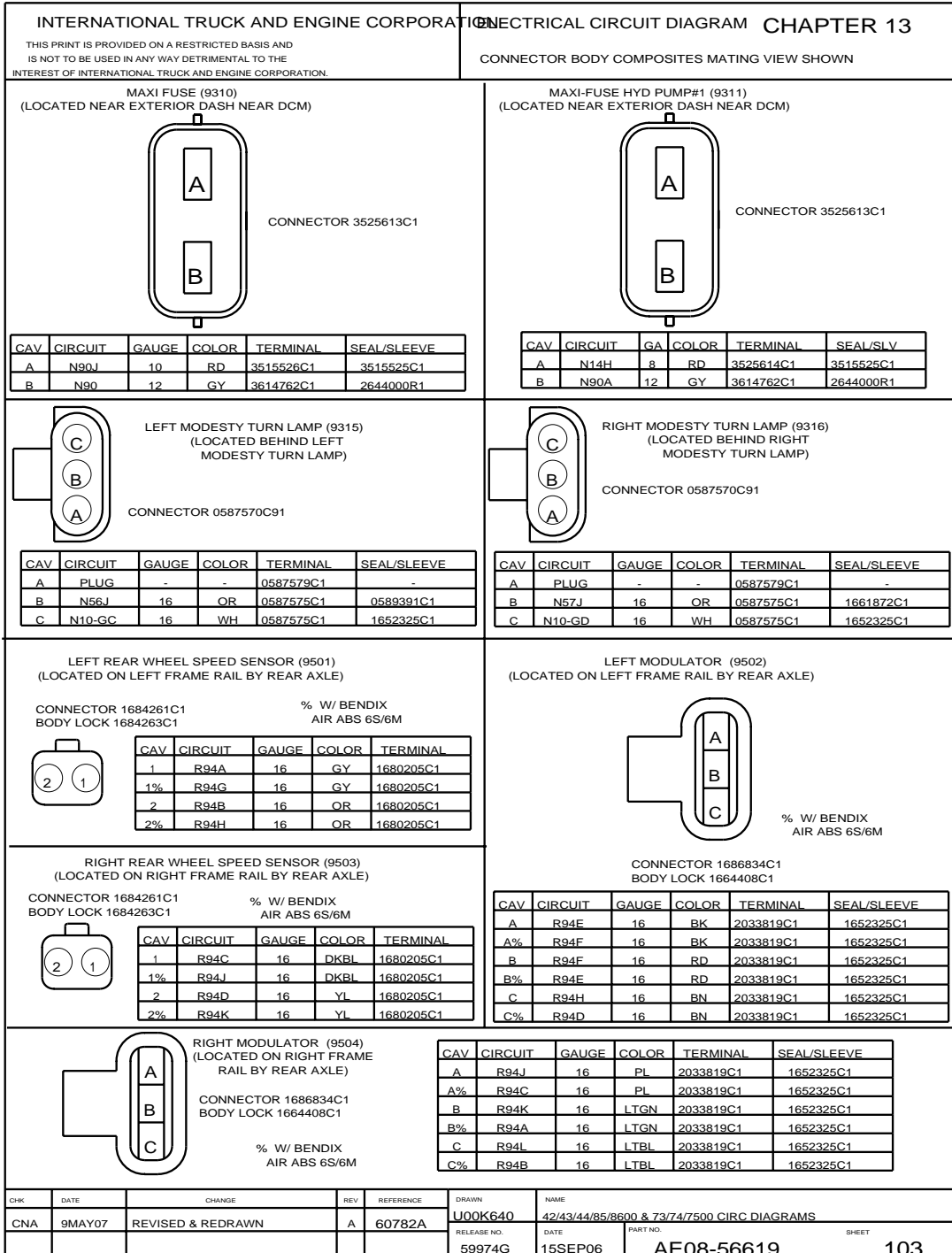


Figure 322 Connector Composites (9310), (9311), (9315), (9316), (9501), (9502), (9503), (9504)

**13.111. CONNECTOR COMPOSITES (9506), (9510), (9510A), (9510B), (9510F), (9510M),
 P. 104**

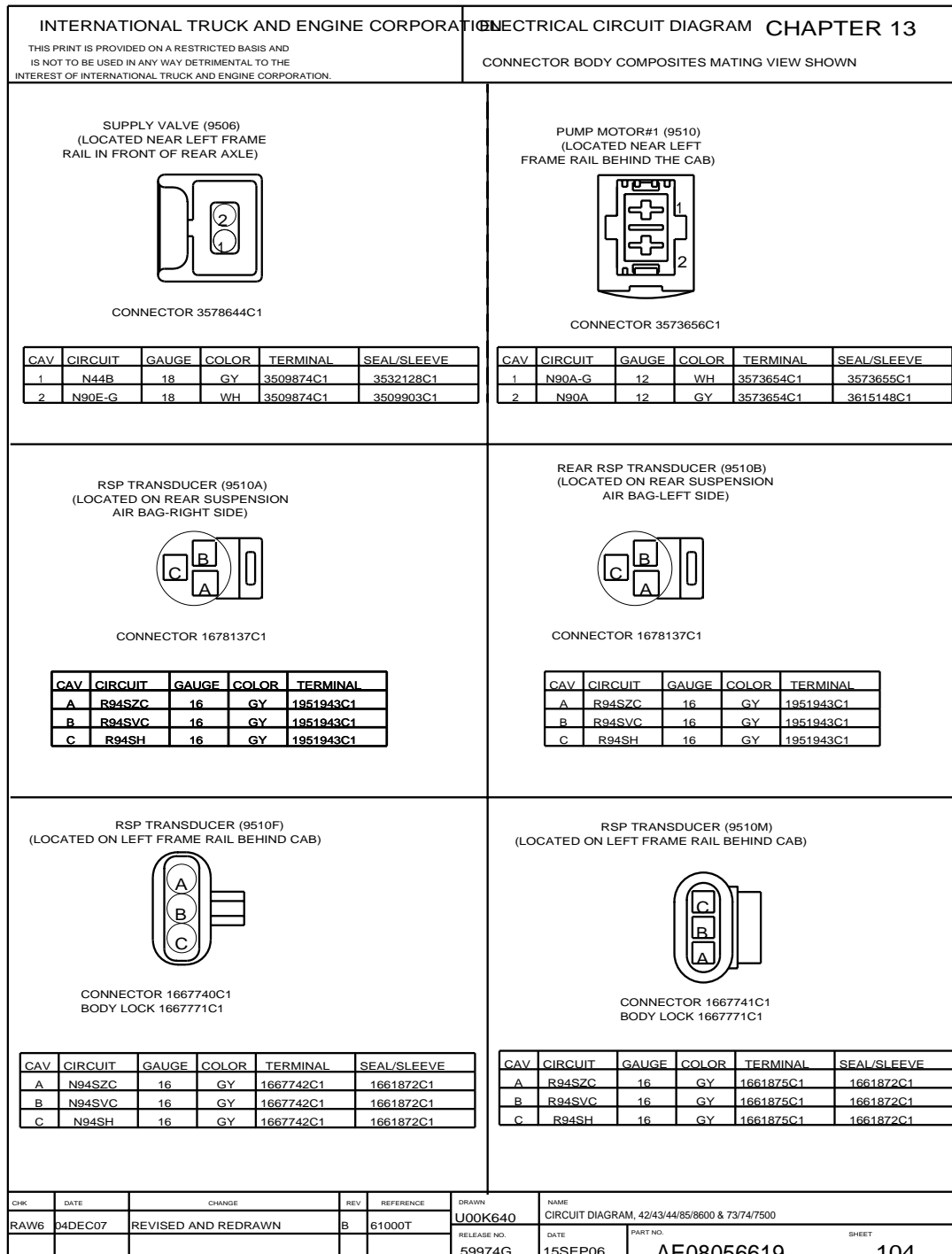
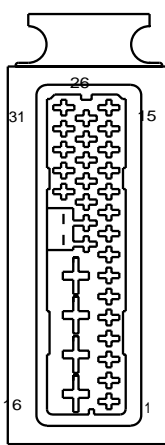


Figure 323 Connector Composites (9506), (9510), (9510A), (9510B), (9510F), (9510M)

13.112. CONNECTOR COMPOSITE (9511), P. 105

INTERNATIONAL TRUCK AND ENGINE CORPORATION		ELECTRICAL CIRCUIT DIAGRAM CHAPTER 13	
THIS PRINT IS PROVIDED ON A RESTRICTED BASIS AND IS NOT TO BE USED IN ANY WAY DETRIMENTAL TO THE INTEREST OF INTERNATIONAL TRUCK AND ENGINE CORPORATION.		CONNECTOR BODY COMPOSITES MATING VIEW SHOWN	

FULL POWER CONNECTOR (9511)
 (LOCATED NEAR LEFT FRAME RAIL BEHIND THE CAB)



CONNECTOR 3573648C2
 BODY LOCK 1 3573650C1
 BODY LOCK 2 3573651C1

CAV	CIRCUIT	GAUGE	COLOR	TERMINAL	SEAL/SLEEVE
1*	N90C	18	GY	3573652C1	3573653C1
1*	N90E	18	GY	3573652C1	3573653C1
2	PLUG	-	-	3577744C1	-
3	N90F	18	GY	3573652C1	3573653C1
4	N44B	18	GY	3573652C1	3573653C1
5	N44C	18	GY	3573652C1	3573653C1
6	N90K	18	GY	3573652C1	3573653C1
7	N44D	18	GY	3573652C1	3573653C1
8	PLUG	-	-	3577744C1	-
9	N90H	18	GY	3573652C1	3573653C1
10	N90B	18	GY	3573652C1	3573653C1
11	N44A	18	GY	3573652C1	3573653C1
12	PLUG	-	-	3577744C1	-
13	PLUG	-	-	3577744C1	-
14	N5C(+)	18	YL	3573652C1	3573653C1
15	N5C(-)	18	GN	3573652C1	3573653C1
16	N90	12	GY	3573654C1	3615148C1
17	N94L	12	GY	3573654C1	3573655C1
18	N90-G	12	WH	3573654C1	3573655C1
19	N94-GB	12	WH	3573654C1	3573655C1
20	N94AA	18	GY	3573652C1	3573653C1
21	PLUG	-	-	3577744C1	-
22	N94N(+)	18	GY	3573652C1	3573653C1
23	N94M(-)	18	GY	3573652C1	3573653C1
24	N94L(-)	18	GY	3573652C1	3573653C1
25	N94R(-)	18	GY	3573652C1	3573653C1
26	N3C(-)	18	GY	3573652C1	3573653C1
27	N94N(-)	18	GY	3573652C1	3573653C1
28	N94M(+)	18	GY	3573652C1	3573653C1
29	N94L(+)	18	GY	3573652C1	3573653C1
30	N94R(+)	18	GY	3573652C1	3573653C1
31	N3C(+)	18	DKBL	3573652C1	3573653C1

* MUTUALLY EXCLUSIVE

CHK	DATE	CHANGE	REV	REFERENCE	DRAWN	NAME
RAW6	04DEC07	REVISED AND REDRAWN	B	61000T	U00K640	CIRCUIT DIAGRAM, 42/43/44/85/8600 & 73/74/7500
					RELEASE NO.	DATE
					59974G	15SEP06
						PART NO.
						AE08056619
						SHEET
						105

Figure 324 Connector Composite (9511)

13.113. CONNECTOR COMPOSITES (9512), (9513), (9514), P. 106

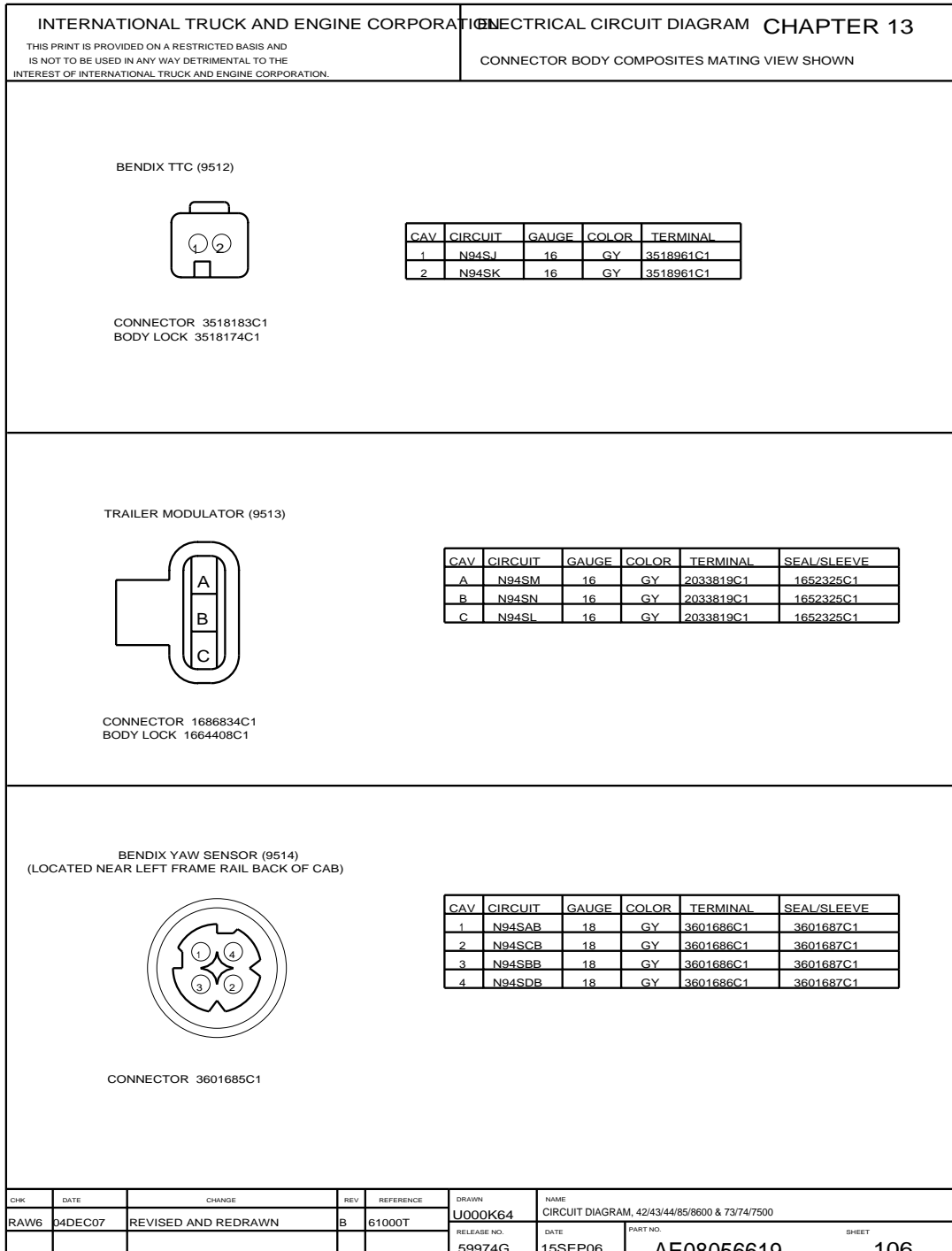


Figure 325 Connector Composites (9512), (9513), (9514)

13.114. CONNECTOR COMPOSITES (9516), (9517), (9518), (9519), (9520), (9521), (9522), (9523), (9524), P. 107

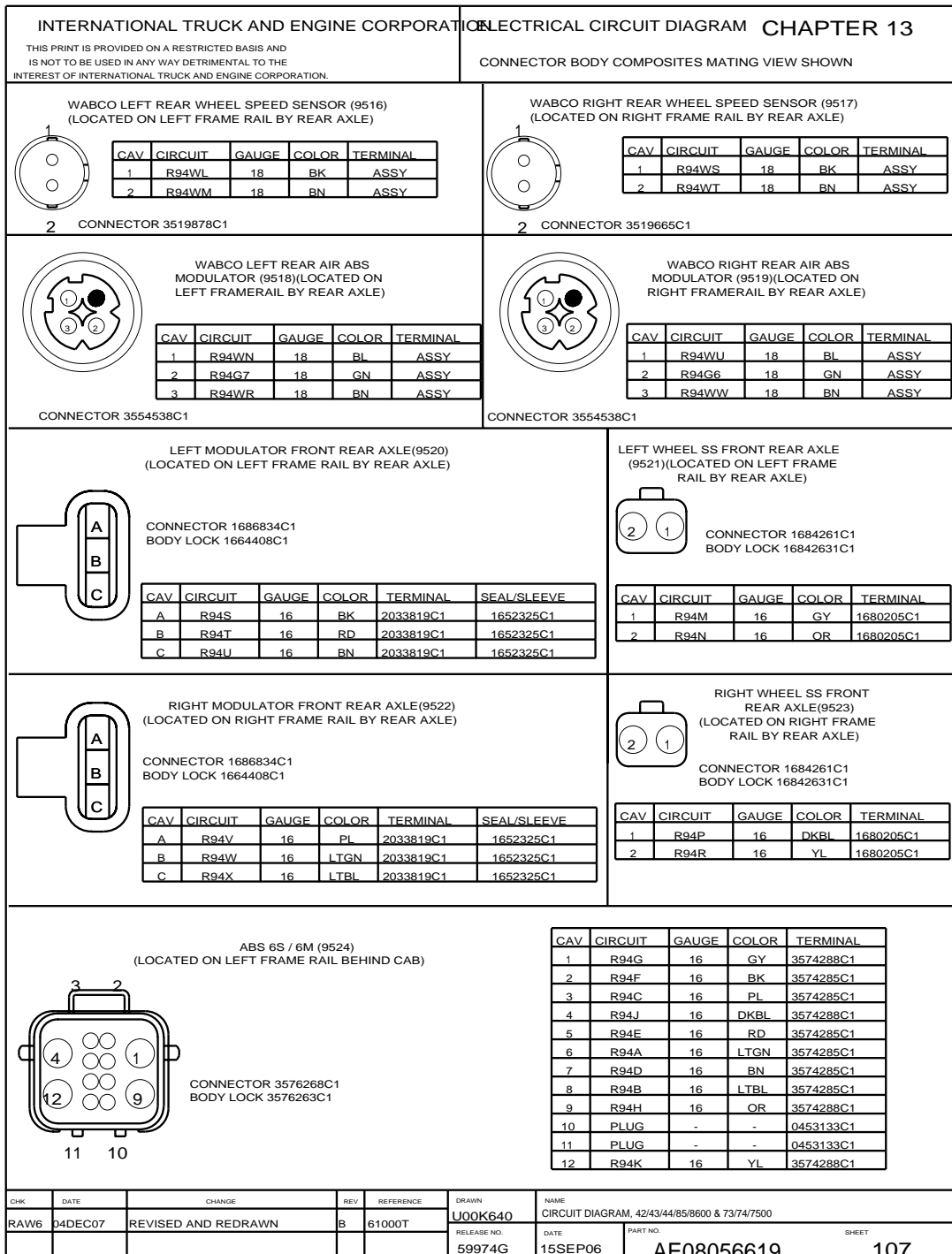


Figure 326 Connector Composites (9516), (9517), (9518), (9519), (9520), (9521), (9522), (9523), (9524)

13.115. CONNECTOR COMPOSITES (9524), (9530), P. 108

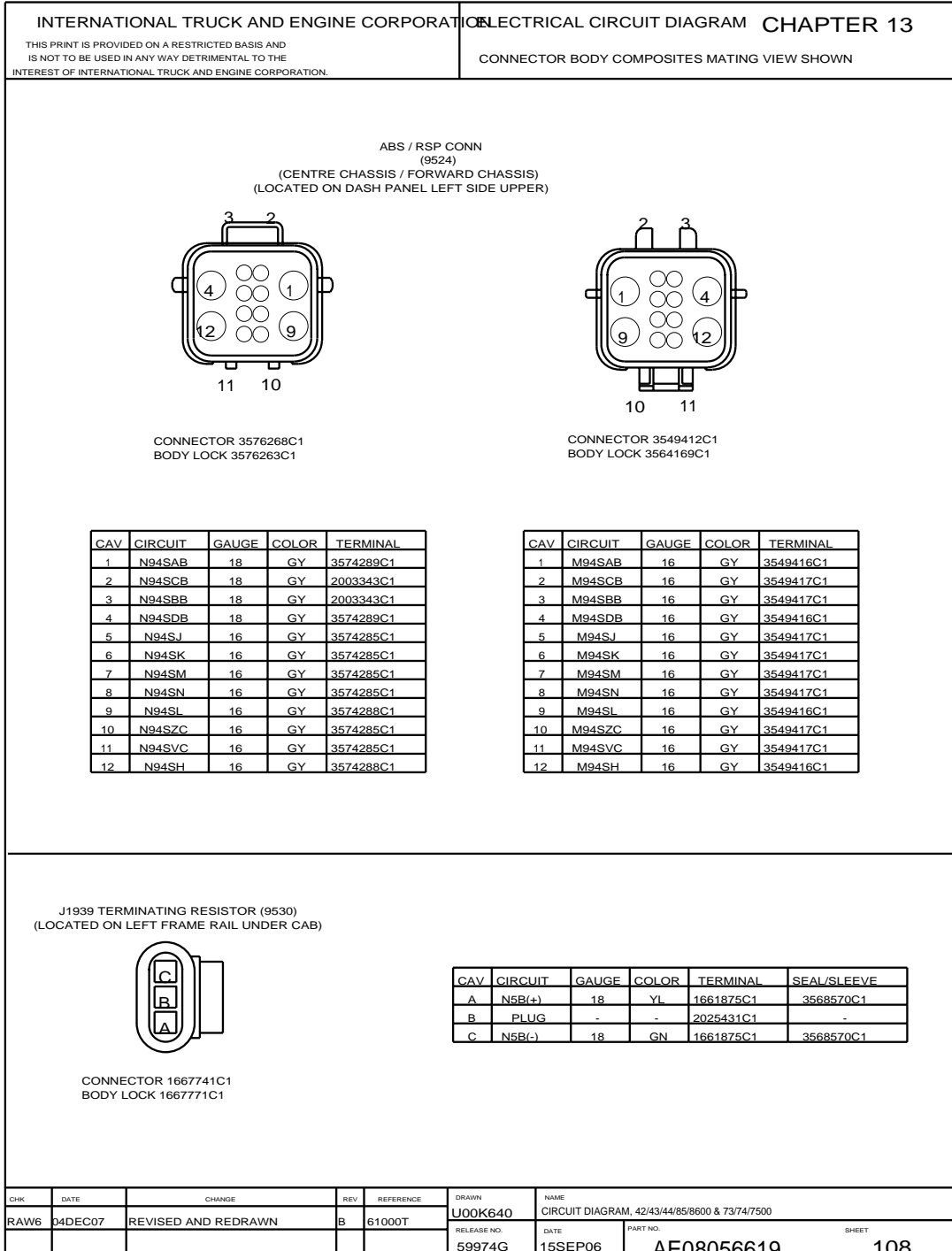


Figure 327 Connector Composites (9524), (9530)

13.116. CONNECTOR COMPOSITES (9715), (9716), P. 109

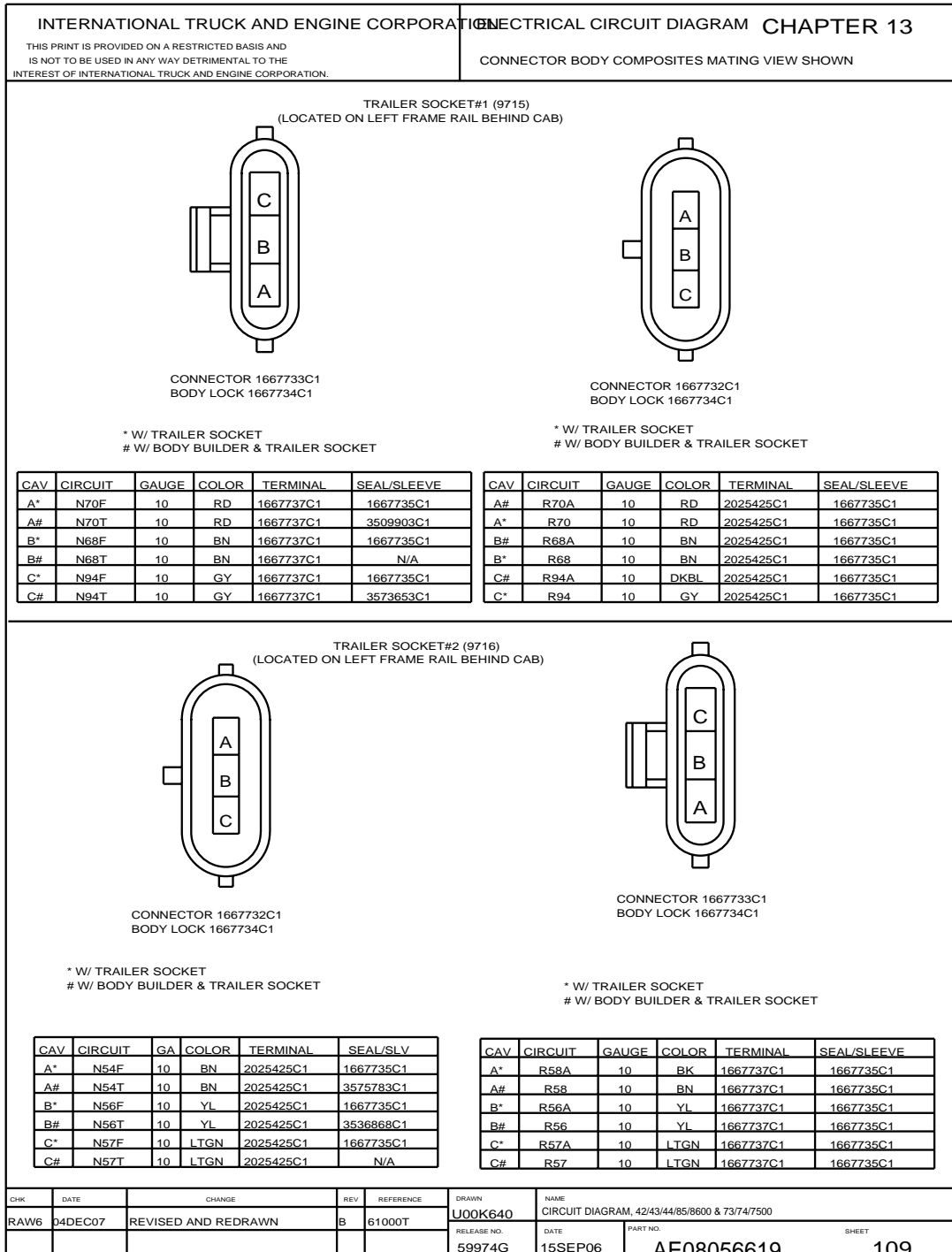
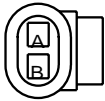


Figure 328 Connector Composites (9715), (9716)

13.117. CONNECTOR COMPOSITES (9718), (9719M), (9720), (9736), (9737), P. 110

INTERNATIONAL TRUCK AND ENGINE CORPORATION				ELECTRICAL CIRCUIT DIAGRAM CHAPTER 13	
THIS PRINT IS PROVIDED ON A RESTRICTED BASIS AND IS NOT TO BE USED IN ANY WAY DETRIMENTAL TO THE INTEREST OF INTERNATIONAL TRUCK AND ENGINE CORPORATION.				CONNECTOR BODY COMPOSITES MATING VIEW SHOWN	

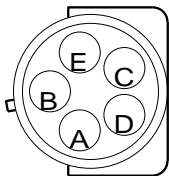
WORK LIGHT - BOC (9718)
(LOCATED ON LEFT FRAME RAIL AT BACK OF DAYCAB)



CONNECTOR 1661778C1
BODY LOCK 1661874C1

CAV	CIRCUIT	GAUGE	COLOR	TERMINAL	SEAL/SLEEVE
A	N65	16	OR	1661875C1	1661872C1
B	N65-G	16	WH	1661875C1	1661872C1

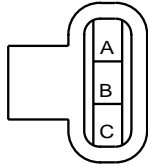
BLACKOUT TRUCK TRAILER LIGHTING (9719M)
(LOCATED AT MAIN CHASSIS TO REAR CHASSIS INTERCONNECT)



CONNECTOR 1673751C1

CAV	CIRCUIT	GAUGE	COLOR	TERMINAL	SEAL/SLEEVE
A	R54H	12	BN	1673748C1	0589390C1
B	R54L	12	TN	1673748C1	0589390C1
C	R70L	12	RD	1673748C1	0589390C1
D	R70H	12	OR	1673748C1	0589390C1
E	PLUG	-	-	0587579C1	-

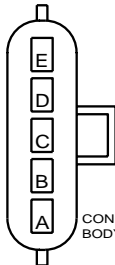
BLACKOUT LIGHTING (9720)
(LOCATED AT REAR END OF LEFT FRAME RAIL)



CONNECTOR 1686834C1
BODY LOCK 1664408C1

CAV	CIRCUIT	GAUGE	COLOR	TERMINAL	SEAL/SLEEVE
A	R70	18	OR	2033819C1	1652325C1
B	R68	18	BN	2033819C1	1652325C1
C	PLUG	-	-	0587579C1	-

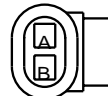
AIR SOLENOID 4 PACK (9736)
(LOCATED INSIDE LEFT FRAME RAIL UNDER CAB)



CONNECTOR 1661375C2
BODY LOCK 1661376C1

CAV	CIRCUIT	GAUGE	COLOR	TERMINAL	SEAL/SLEEVE
A	N59A-G	14	WH	2033816C1	0589391C1
B	N59B	18	GY	2033819C1	1652325C1
C	N59C	18	GY	2033819C1	1652325C1
D	N59D	18	GY	2033819C1	1652325C1
E	N59E	18	GY	2033819C1	1652325C1

AIR HORN (9737)
(LOCATED INSIDE LEFT FRAME RAIL UNDER CAB)



CONNECTOR 3522068C1
BODY LOCK 1661874C1

CAV	CIRCUIT	GAUGE	COLOR	TERMINAL	SEAL/SLEEVE
A	N59B	18	GY	1661875C1	1661872C1
B	N59A-G	16	WH	1661875C1	1661872C1

CHK	DATE	CHANGE	REV	REFERENCE	DRAWN	NAME
RAW6	04DEC07	REVISED AND REDRAWN	B	61000T	U00K640	CIRCUIT DIAGRAM, 42/43/44/85/8600 & 73/74/7500
					RELEASE NO.	DATE
					59974G	15SEP06
						PART NO.
						AE08056619
						SHEET
						110

Figure 329 Connector Composites (9718), (9719M), (9720), (9736), (9737)

13.118. CONNECTOR COMPOSITE (9740), P. 111

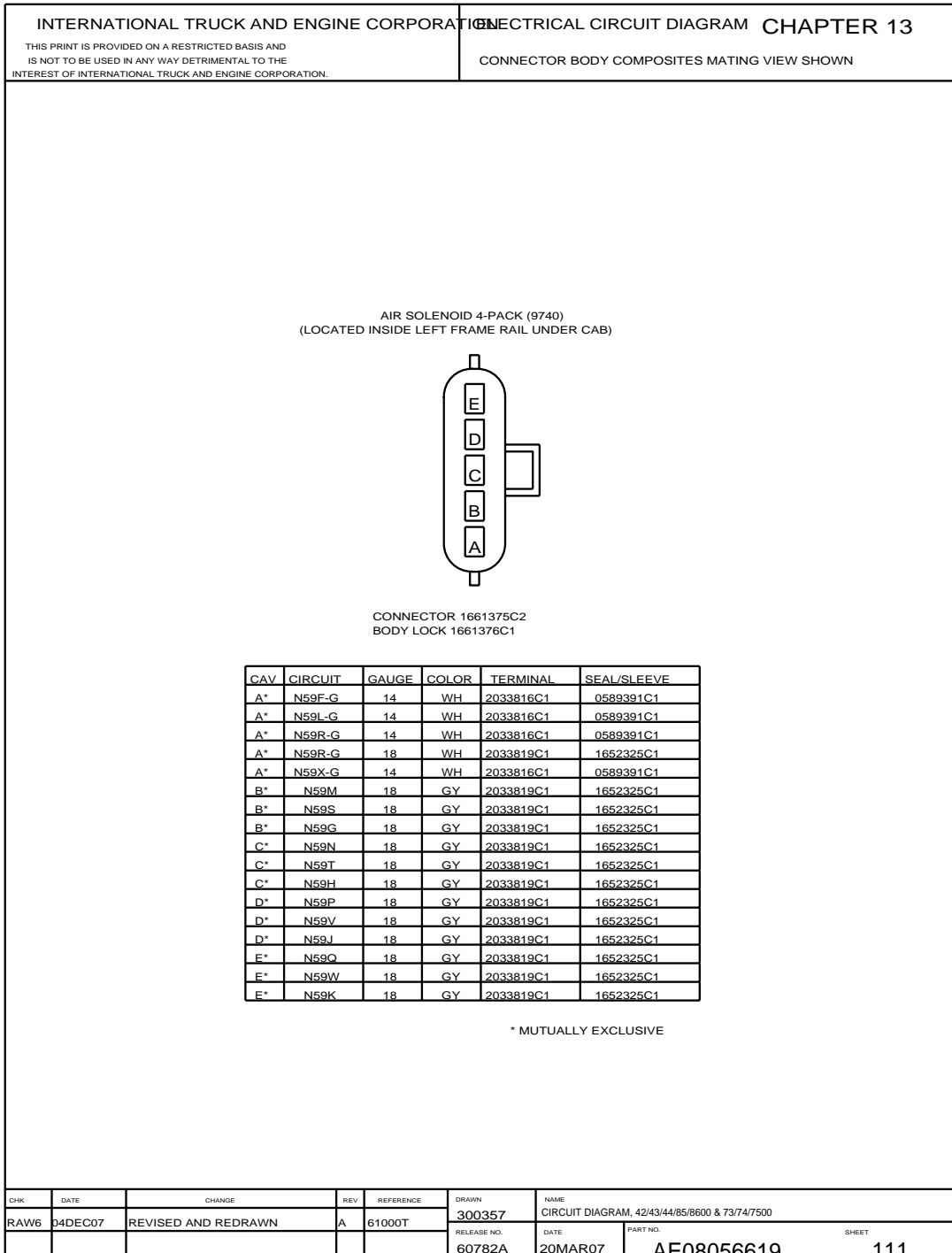


Figure 330 Connector Composite (9740)

13.119. CONNECTOR COMPOSITES (9740), (9745), (9746), (9747), (9748), P. 112

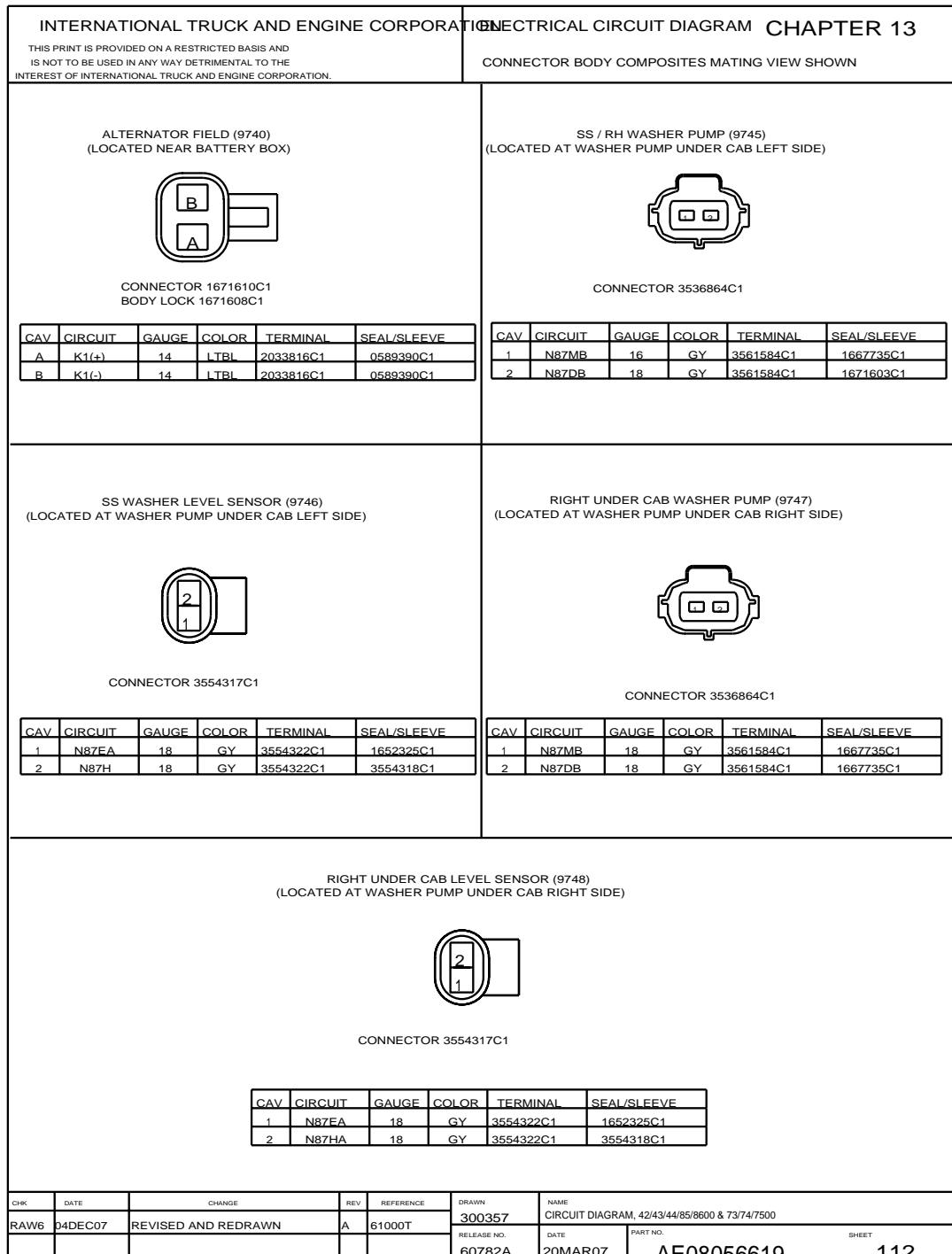
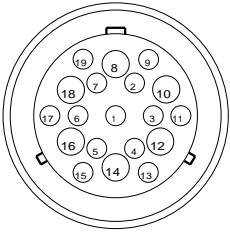


Figure 331 Connector Composites (9740), (9745), (9746), (9747), (9748)

13.120. CONNECTOR COMPOSITES (9751), (9752), (9753), (9753A), (9754), P. 113

INTERNATIONAL TRUCK AND ENGINE CORPORATION		ELECTRICAL CIRCUIT DIAGRAM CHAPTER 13	
THIS PRINT IS PROVIDED ON A RESTRICTED BASIS AND IS NOT TO BE USED IN ANY WAY DETRIMENTAL TO THE INTEREST OF INTERNATIONAL TRUCK AND ENGINE CORPORATION.		CONNECTOR BODY COMPOSITES MATING VIEW SHOWN	

PEC CONN (9751)

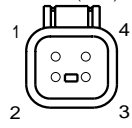


CONNECTOR 3665410C1

CAV	CIRCUIT	GAUGE	COLOR	TERMINAL
1	N98H(+)	18	YL	1680205C1
2	N98H(-)	18	GN	1680205C1
3	N92DE	18	TN	1680205C1
4	N92DC	18	TN	1680205C1
5	N92FJ	18	TN	1680205C1
6	N92PA	18	TN	1680205C1
7	N92PE	18	TN	1680205C1
8	PLUG	-	-	0453133C1
9	N92PC	18	TN	1680205C1
10	PLUG	-	-	0453133C1
11	N92PF	18	TN	1680205C1
12	N92HJ	12	TN	3557534C1
13	N92PD	18	TN	1680205C1
14*	N11-GHE	12	WH	3557534C1
14@	N11-GHG	12	WH	3557534C1
15	N92PG	18	TN	1680205C1
16	PLUG	-	-	0453133C1
17	N92PB	18	TN	1680205C1
18	PLUG	-	-	0453133C1
19	N92PH	18	TN	1680205C1

* W/ PTO
@ N/ PTO

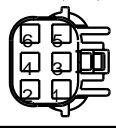
DC-DC CONV (9752)



CONNECTOR 3545577C1
BODY LOCK 3545579C1

CAV	CIRCUIT	GAUGE	COLOR	TERMINAL
1	N92DB	18	TN	1651969C1
2	PLUG	-	-	0453133C1
3	N92DA	18	TN	1651969C1
4	N11-GHF	18	WH	1651969C1


RESOLVER (9753)



CONNECTOR 3665562C1
BODY LOCK 3665586C1

CAV	CIRCUIT	GAUGE	COLOR	TERMINAL	SEAL/SLEEVE
1	N92RA	18	TN	3665563C1	3665564C1
2	N92RB	18	TN	3665563C1	3665564C1
3	N92RC	18	TN	3665563C1	3665564C1
4	N92RD	18	TN	3665563C1	3665564C1
5	N92RE	18	TN	3665563C1	3665564C1
6	N92RF	18	TN	3665563C1	3665564C1

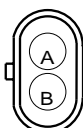
TEMPERATURE SENSOR (9753A)



CONNECTOR 3665561C1
BODY LOCK 3665585C1

CAV	CIRCUIT	GAUGE	COLOR	TERMINAL	SEAL/SLEEVE
1	N92TA	18	TN	3665563C1	3665564C1
2	N92TB	18	TN	3665563C1	3665564C1

FRONT AXLE ENGAGEMENT SENSOR (9754)
(LOCATED AT TRANSFER CASE)



CONNECTOR 0587567C91

CAV	CIRCUIT	GAUGE	COLOR	TERMINAL	SEAL/SLEEVE
A	N42	16	GY	0587577C1	1652325C1
B	N42-G	18	WH	0587578C1	1652325C1

CHK	DATE	CHANGE	REV	REFERENCE	DRAWN	NAME
RAW6	04DEC07	REVISED AND REDRAWN	A	61000T	300357	CIRCUIT DIAGRAM, 42/43/44/85/8600 & 73/74/7500
					RELEASE NO. 60782A	DATE 20MAR07
						PART NO. AE08056619
						SHEET 113

Figure 332 Connector Composites (9751), (9752), (9753), (9753A), (9754)

13.121. CONNECTOR COMPOSITES (9758), (9759), (9760), P. 114

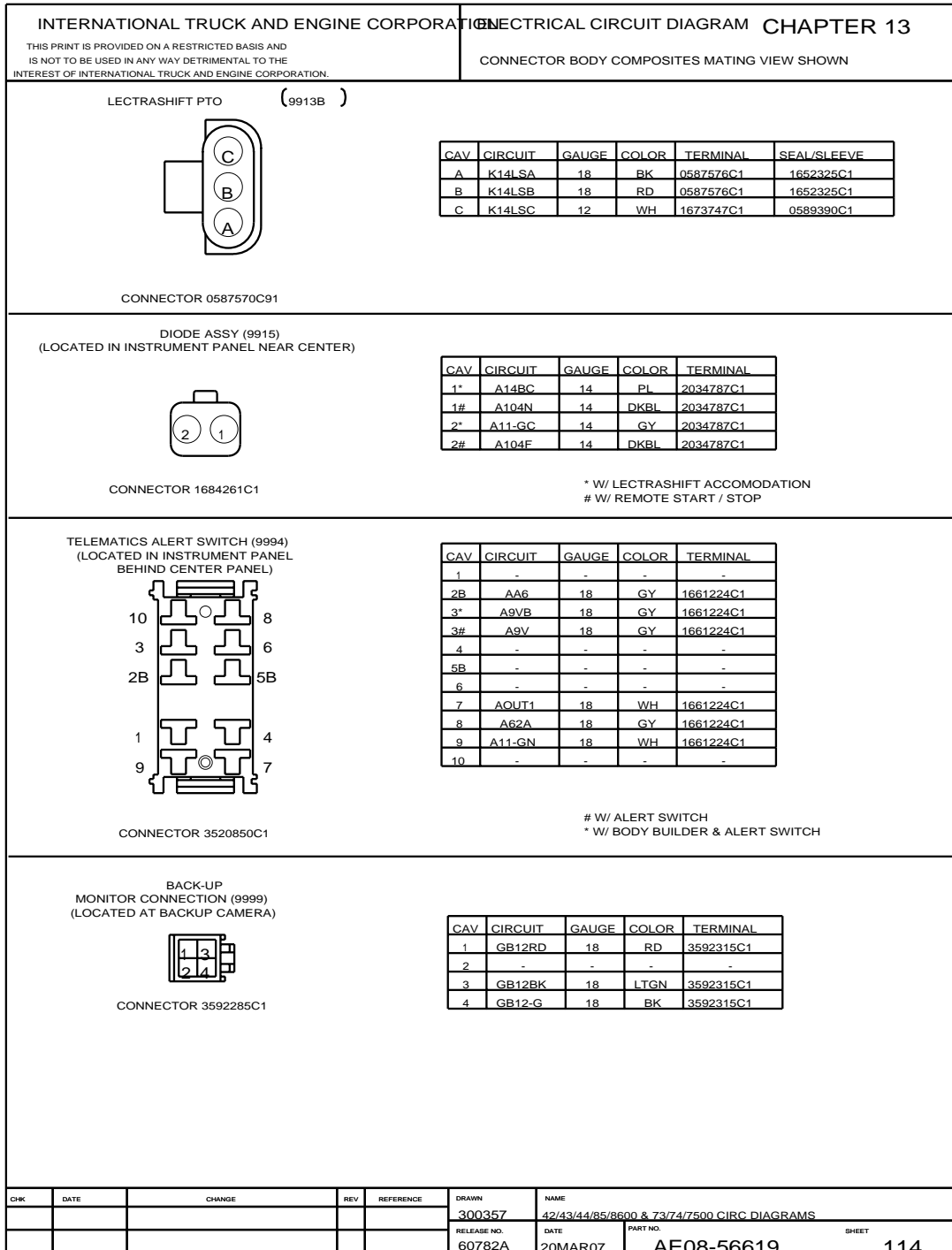


Figure 333 Connector Composites (9758), (9759), (9760)

13.122. CONNECTOR COMPOSITE (9761), P. 115

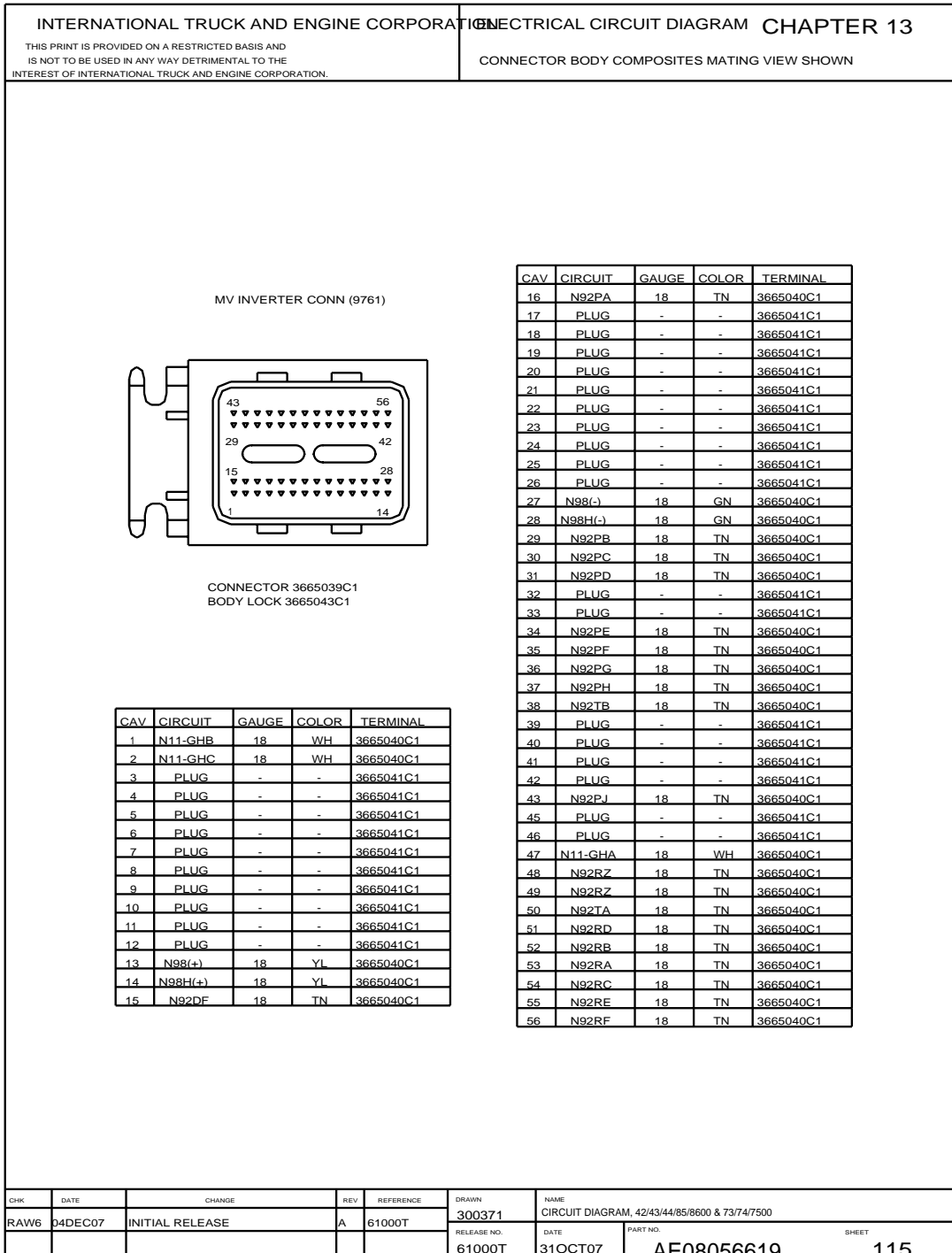


Figure 334 Connector Composite (9761)

**13.123. CONNECTOR COMPOSITES (9761F), (9762), (9763), (9764), (9765), (9766),
 P. 116**

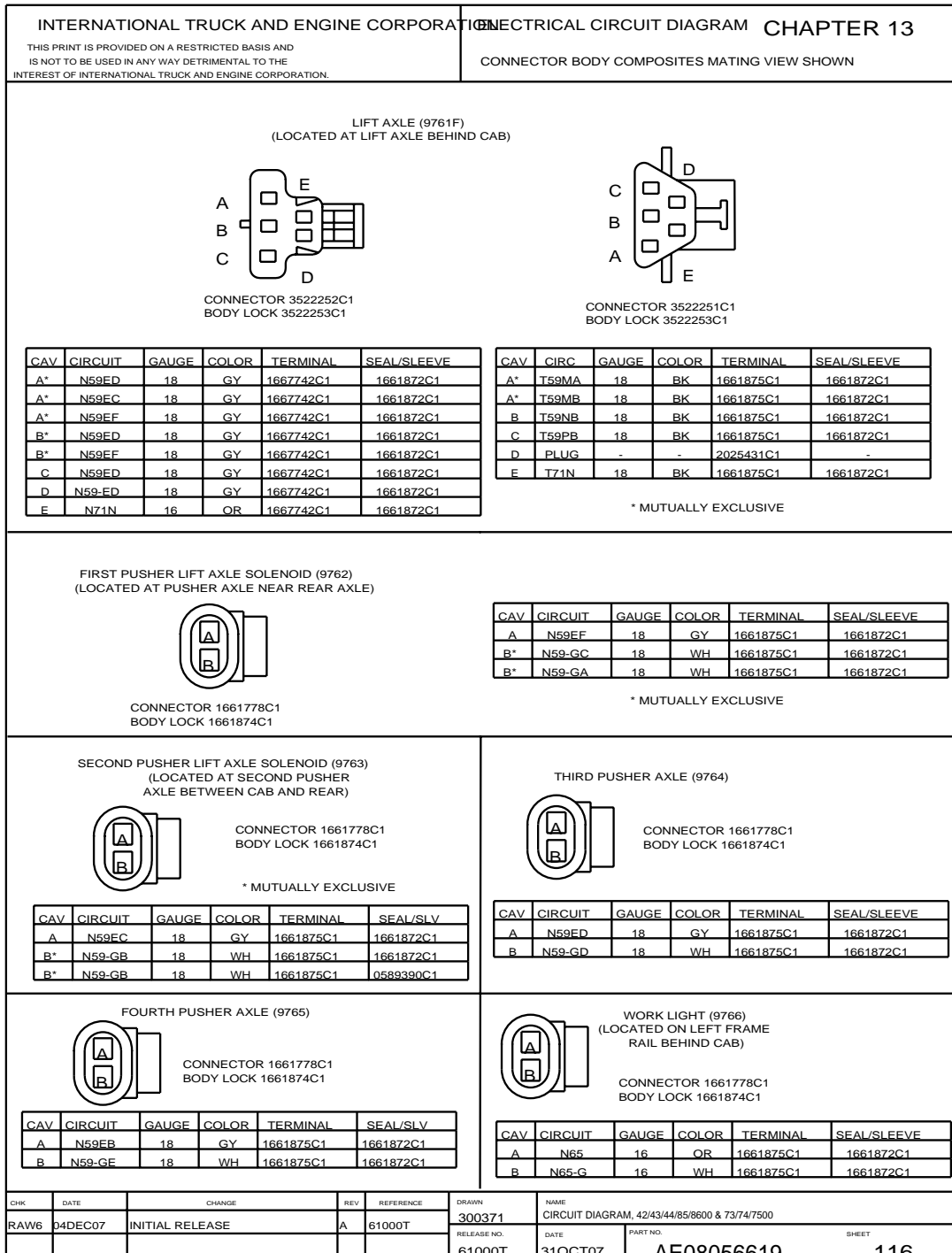


Figure 335 Connector Composites (9761F), (9762), (9763), (9764), (9765), (9766)

13.124. CONNECTOR COMPOSITES (9775), (9777), (9777A), (9778), P. 117

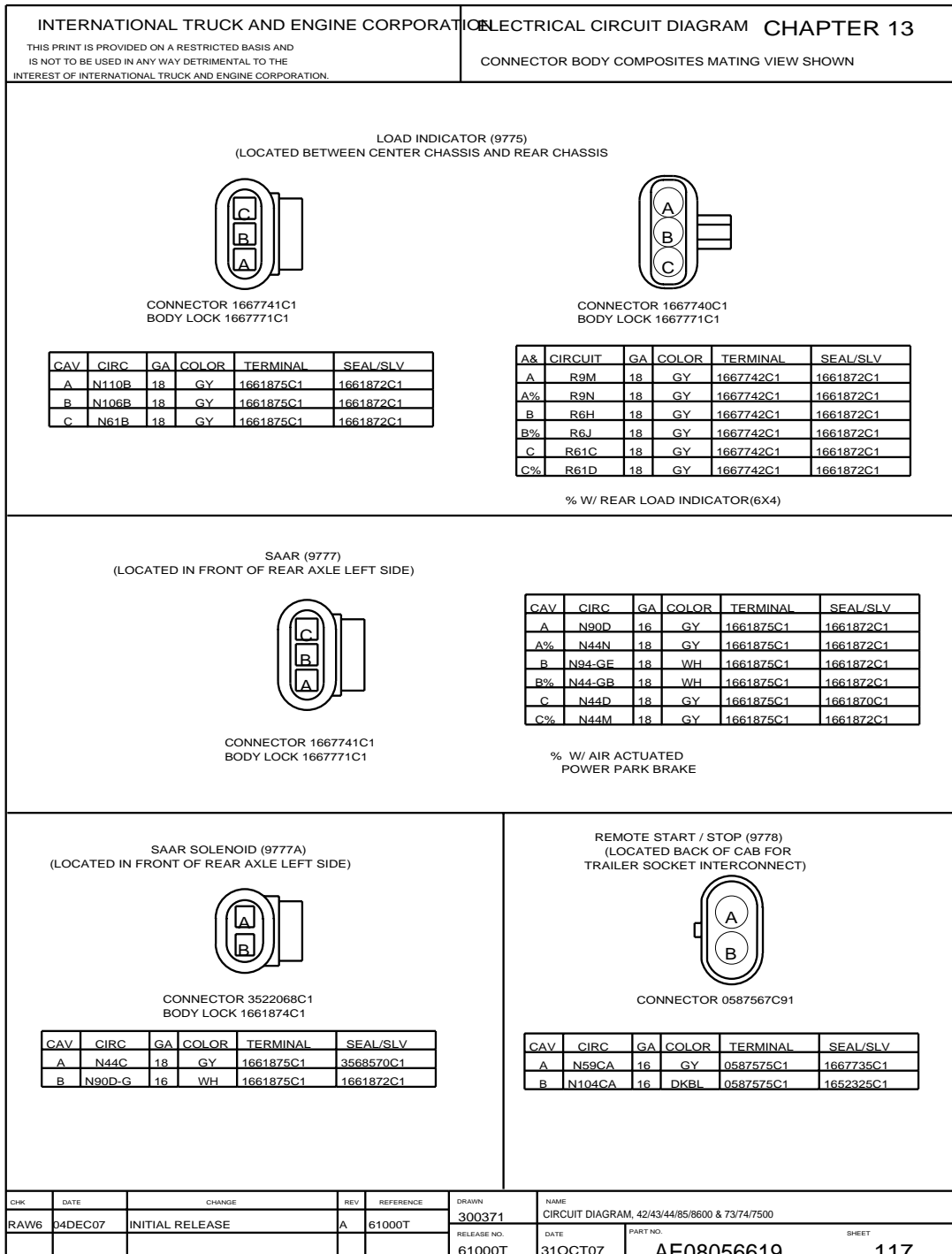


Figure 336 Connector Composites (9775), (9777), (9777A), (9778)

13.125. CONNECTOR COMPOSITES (9779F), (9780M), (9781M), (9782F), P. 118

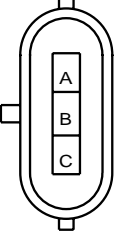
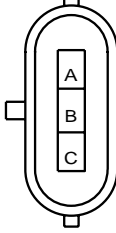
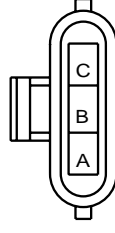
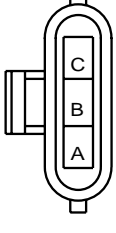
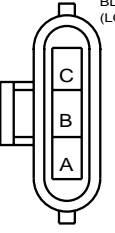
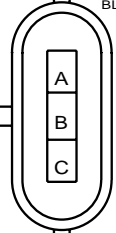
INTERNATIONAL TRUCK AND ENGINE CORPORATION				ELECTRICAL CIRCUIT DIAGRAM CHAPTER 13																																																																																							
THIS PRINT IS PROVIDED ON A RESTRICTED BASIS AND IS NOT TO BE USED IN ANY WAY DETRIMENTAL TO THE INTEREST OF INTERNATIONAL TRUCK AND ENGINE CORPORATION.				CONNECTOR BODY COMPOSITES MATING VIEW SHOWN																																																																																							
<p style="text-align: center;">TRAILER SOCKET # 2 (9779F) (LOCATED AT END OF FRAME NEAR REAR AXLES)</p>  <p style="text-align: center;">CONNECTOR 1667732C1 BODY LOCK 1667734C1</p> <p style="text-align: center;">* W/ TRAILER SOCKET - BOC # W/ TRAILER & AUX SOCKET - BOC @ W/ TRAILER SOCKET - BOC & BODY BUILDER EOF</p> <table border="1" style="width:100%; border-collapse: collapse; font-size: x-small;"> <thead> <tr> <th>CAV</th> <th>CIRCUIT</th> <th>GAUGE</th> <th>COLOR</th> <th>TERMINAL</th> <th>SEAL/SLEEVE</th> </tr> </thead> <tbody> <tr><td>A#</td><td>N54B</td><td>10</td><td>BN</td><td>2025425C1</td><td>1667735C1</td></tr> <tr><td>A@</td><td>N54E</td><td>10</td><td>BN</td><td>2025425C1</td><td>1667735C1</td></tr> <tr><td>A*</td><td>N54T</td><td>10</td><td>BN</td><td>2025425C1</td><td>1667735C1</td></tr> <tr><td>B#</td><td>N56B</td><td>10</td><td>YL</td><td>2025425C1</td><td>1667735C1</td></tr> <tr><td>B@</td><td>N56E</td><td>10</td><td>YL</td><td>2025425C1</td><td>1667735C1</td></tr> <tr><td>B*</td><td>N56T</td><td>10</td><td>YL</td><td>2025425C1</td><td>1667735C1</td></tr> <tr><td>C#</td><td>N57B</td><td>10</td><td>LTGN</td><td>2025425C1</td><td>1667735C1</td></tr> <tr><td>C@</td><td>N57E</td><td>10</td><td>LTGN</td><td>2025425C1</td><td>1667735C1</td></tr> <tr><td>C*</td><td>N57T</td><td>10</td><td>LTGN</td><td>2025425C1</td><td>1667735C1</td></tr> </tbody> </table>				CAV	CIRCUIT	GAUGE	COLOR	TERMINAL	SEAL/SLEEVE	A#	N54B	10	BN	2025425C1	1667735C1	A@	N54E	10	BN	2025425C1	1667735C1	A*	N54T	10	BN	2025425C1	1667735C1	B#	N56B	10	YL	2025425C1	1667735C1	B@	N56E	10	YL	2025425C1	1667735C1	B*	N56T	10	YL	2025425C1	1667735C1	C#	N57B	10	LTGN	2025425C1	1667735C1	C@	N57E	10	LTGN	2025425C1	1667735C1	C*	N57T	10	LTGN	2025425C1	1667735C1	<p style="text-align: center;">TRAILER SOCKET # 2 (9779F) (LOCATED AT BACK OF CAB FOR TRAILER SOCKET INTERCONNECT)</p>  <p style="text-align: center;">CONNECTOR 1667732C1 BODY LOCK 1667734C1</p> <table border="1" style="width:100%; border-collapse: collapse; font-size: x-small;"> <thead> <tr> <th>CAV</th> <th>CIRCUIT</th> <th>GAUGE</th> <th>COLOR</th> <th>TERMINAL</th> <th>SEAL/SLEEVE</th> </tr> </thead> <tbody> <tr><td>A</td><td>R58A</td><td>10</td><td>BK</td><td>2025425C1</td><td>1667735C1</td></tr> <tr><td>B</td><td>R56A</td><td>10</td><td>YL</td><td>2025425C1</td><td>1667735C1</td></tr> <tr><td>C</td><td>R57A</td><td>10</td><td>LTGN</td><td>2025425C1</td><td>1667735C1</td></tr> </tbody> </table>				CAV	CIRCUIT	GAUGE	COLOR	TERMINAL	SEAL/SLEEVE	A	R58A	10	BK	2025425C1	1667735C1	B	R56A	10	YL	2025425C1	1667735C1	C	R57A	10	LTGN	2025425C1	1667735C1
CAV	CIRCUIT	GAUGE	COLOR	TERMINAL	SEAL/SLEEVE																																																																																						
A#	N54B	10	BN	2025425C1	1667735C1																																																																																						
A@	N54E	10	BN	2025425C1	1667735C1																																																																																						
A*	N54T	10	BN	2025425C1	1667735C1																																																																																						
B#	N56B	10	YL	2025425C1	1667735C1																																																																																						
B@	N56E	10	YL	2025425C1	1667735C1																																																																																						
B*	N56T	10	YL	2025425C1	1667735C1																																																																																						
C#	N57B	10	LTGN	2025425C1	1667735C1																																																																																						
C@	N57E	10	LTGN	2025425C1	1667735C1																																																																																						
C*	N57T	10	LTGN	2025425C1	1667735C1																																																																																						
CAV	CIRCUIT	GAUGE	COLOR	TERMINAL	SEAL/SLEEVE																																																																																						
A	R58A	10	BK	2025425C1	1667735C1																																																																																						
B	R56A	10	YL	2025425C1	1667735C1																																																																																						
C	R57A	10	LTGN	2025425C1	1667735C1																																																																																						
<p style="text-align: center;">TRAILER SOCKET # 1 (9780M) (LOCATED AT END OF FRAME NEAR REAR AXLES)</p>  <p style="text-align: center;">CONNECTOR 1667733C1 BODY LOCK 1667734C1</p> <table border="1" style="width:100%; border-collapse: collapse; font-size: x-small;"> <thead> <tr> <th>CAV</th> <th>CIRCUIT</th> <th>GAUGE</th> <th>COLOR</th> <th>TERMINAL</th> <th>SEAL/SLEEVE</th> </tr> </thead> <tbody> <tr><td>A</td><td>R70A</td><td>10</td><td>RD</td><td>1667737C1</td><td>1667735C1</td></tr> <tr><td>B</td><td>R68A</td><td>10</td><td>BN</td><td>1667737C1</td><td>1667735C1</td></tr> <tr><td>C</td><td>R94A</td><td>10</td><td>DKBL</td><td>1667737C1</td><td>1667735C1</td></tr> </tbody> </table>				CAV	CIRCUIT	GAUGE	COLOR	TERMINAL	SEAL/SLEEVE	A	R70A	10	RD	1667737C1	1667735C1	B	R68A	10	BN	1667737C1	1667735C1	C	R94A	10	DKBL	1667737C1	1667735C1	<p style="text-align: center;">GREEN ABS TRAILER SOCKET # 1 (9780M) (LOCATED BACK OF CAB FOR TRAILER SOCKET INTERCONNECT)</p>  <p style="text-align: center;">CONNECTOR 1667733C1 BODY LOCK 1667734C1</p> <p style="text-align: center;">* W/ TRAILER SOCKET - BOC # W/ TRAILER & AUX SOCKET - BOC @ W/ TRAILER SOCKET - BOC & BODY BUILDER EOF</p> <table border="1" style="width:100%; border-collapse: collapse; font-size: x-small;"> <thead> <tr> <th>CAV</th> <th>CIRCUIT</th> <th>GAUGE</th> <th>COLOR</th> <th>TERMINAL</th> <th>SEAL/SLEEVE</th> </tr> </thead> <tbody> <tr><td>A#</td><td>N70B</td><td>10</td><td>RD</td><td>1667737C1</td><td>1667735C1</td></tr> <tr><td>A@</td><td>N70E</td><td>10</td><td>RD</td><td>1667737C1</td><td>1667735C1</td></tr> <tr><td>A*</td><td>N70T</td><td>10</td><td>RD</td><td>1667737C1</td><td>1667735C1</td></tr> <tr><td>B#</td><td>N68B</td><td>10</td><td>BN</td><td>1667737C1</td><td>1667735C1</td></tr> <tr><td>B@</td><td>N68E</td><td>10</td><td>BN</td><td>1667737C1</td><td>1667735C1</td></tr> <tr><td>B*</td><td>N68T</td><td>10</td><td>BN</td><td>1667737C1</td><td>1667735C1</td></tr> <tr><td>C@</td><td>N94E</td><td>10</td><td>GY</td><td>1667737C1</td><td>1667735C1</td></tr> <tr><td>C*</td><td>N94T</td><td>10</td><td>GY</td><td>1667737C1</td><td>1667735C1</td></tr> </tbody> </table>				CAV	CIRCUIT	GAUGE	COLOR	TERMINAL	SEAL/SLEEVE	A#	N70B	10	RD	1667737C1	1667735C1	A@	N70E	10	RD	1667737C1	1667735C1	A*	N70T	10	RD	1667737C1	1667735C1	B#	N68B	10	BN	1667737C1	1667735C1	B@	N68E	10	BN	1667737C1	1667735C1	B*	N68T	10	BN	1667737C1	1667735C1	C@	N94E	10	GY	1667737C1	1667735C1	C*	N94T	10	GY	1667737C1	1667735C1						
CAV	CIRCUIT	GAUGE	COLOR	TERMINAL	SEAL/SLEEVE																																																																																						
A	R70A	10	RD	1667737C1	1667735C1																																																																																						
B	R68A	10	BN	1667737C1	1667735C1																																																																																						
C	R94A	10	DKBL	1667737C1	1667735C1																																																																																						
CAV	CIRCUIT	GAUGE	COLOR	TERMINAL	SEAL/SLEEVE																																																																																						
A#	N70B	10	RD	1667737C1	1667735C1																																																																																						
A@	N70E	10	RD	1667737C1	1667735C1																																																																																						
A*	N70T	10	RD	1667737C1	1667735C1																																																																																						
B#	N68B	10	BN	1667737C1	1667735C1																																																																																						
B@	N68E	10	BN	1667737C1	1667735C1																																																																																						
B*	N68T	10	BN	1667737C1	1667735C1																																																																																						
C@	N94E	10	GY	1667737C1	1667735C1																																																																																						
C*	N94T	10	GY	1667737C1	1667735C1																																																																																						
<p style="text-align: center;">BLACK AUX TRAILER SOCKET # 1 (9781M) (LOCATED BACK OF CAB FOR AUX TRAILER SOCKET INTERCONNECT)</p>  <p style="text-align: center;">CONNECTOR 1667733C1 BODY LOCK 1667734C1</p> <table border="1" style="width:100%; border-collapse: collapse; font-size: x-small;"> <thead> <tr> <th>CAV</th> <th>CIRCUIT</th> <th>GAUGE</th> <th>COLOR</th> <th>TERMINAL</th> <th>SEAL/SLEEVE</th> </tr> </thead> <tbody> <tr><td>A</td><td>N70C</td><td>10</td><td>RD</td><td>1667737C1</td><td>1667735C1</td></tr> <tr><td>B</td><td>N68C</td><td>10</td><td>BN</td><td>1667737C1</td><td>1667735C1</td></tr> <tr><td>C</td><td>N72</td><td>12</td><td>OR</td><td>1667737C1</td><td>3509903C1</td></tr> </tbody> </table>				CAV	CIRCUIT	GAUGE	COLOR	TERMINAL	SEAL/SLEEVE	A	N70C	10	RD	1667737C1	1667735C1	B	N68C	10	BN	1667737C1	1667735C1	C	N72	12	OR	1667737C1	3509903C1	<p style="text-align: center;">BLACK AUX TRAILER SOCKET # 2 (9782F) (LOCATED BACK OF CAB FOR AUX TRAILER SOCKET INTERCONNECT)</p>  <p style="text-align: center;">CONNECTOR 1667732C1 BODY LOCK 1667734C1</p> <table border="1" style="width:100%; border-collapse: collapse; font-size: x-small;"> <thead> <tr> <th>CAV</th> <th>CIRCUIT</th> <th>GAUGE</th> <th>COLOR</th> <th>TERMINAL</th> <th>SEAL/SLEEVE</th> </tr> </thead> <tbody> <tr><td>A</td><td>N54C</td><td>10</td><td>BN</td><td>2025425C1</td><td>1667735C1</td></tr> <tr><td>B</td><td>N56C</td><td>10</td><td>YL</td><td>2025425C1</td><td>1667735C1</td></tr> <tr><td>C</td><td>N57C</td><td>10</td><td>LTGN</td><td>2025425C1</td><td>1667735C1</td></tr> </tbody> </table>				CAV	CIRCUIT	GAUGE	COLOR	TERMINAL	SEAL/SLEEVE	A	N54C	10	BN	2025425C1	1667735C1	B	N56C	10	YL	2025425C1	1667735C1	C	N57C	10	LTGN	2025425C1	1667735C1																																				
CAV	CIRCUIT	GAUGE	COLOR	TERMINAL	SEAL/SLEEVE																																																																																						
A	N70C	10	RD	1667737C1	1667735C1																																																																																						
B	N68C	10	BN	1667737C1	1667735C1																																																																																						
C	N72	12	OR	1667737C1	3509903C1																																																																																						
CAV	CIRCUIT	GAUGE	COLOR	TERMINAL	SEAL/SLEEVE																																																																																						
A	N54C	10	BN	2025425C1	1667735C1																																																																																						
B	N56C	10	YL	2025425C1	1667735C1																																																																																						
C	N57C	10	LTGN	2025425C1	1667735C1																																																																																						
CHK	DATE	CHANGE	REV	REFERENCE	DRAWN	NAME	CIRCUIT DIAGRAM, 42/43/44/85/8600 & 73/74/7500																																																																																				
RAW6	04DEC07	INITIAL RELEASE	A	61000T	30371	DATE	PART NO.																																																																																				
					61000T	31OCT07	AE08056619																																																																																				
						SHEET	118																																																																																				

Figure 337 Connector Composites (9779F), (9780M), (9781M), (9782F)

13.126. CONNECTOR COMPOSITES (9800), P. 119

INTERNATIONAL TRUCK AND ENGINE CORPORATION ELECTRICAL CIRCUIT DIAGRAM CHAPTER 13

THIS PRINT IS PROVIDED ON A RESTRICTED BASIS AND IS NOT TO BE USED IN ANY WAY DETRIMENTAL TO THE INTEREST OF INTERNATIONAL TRUCK AND ENGINE CORPORATION.

CONNECTION TO CENTER HARNESS (9800)(LOCATED ON LEFT FRAME RAIL BEHIND CAB)
CONNECTOR 3558022C1
BODY LOCK 3558056C1

CONNECTION TO REAR CHASSIS HARNESS (9800) (LOCATED ON LEFT FRAME RAIL BEHIND CAB)
CONNECTOR 3558026C1
BODY LOCK 3558056C1

& MUTUALLY EXCLUSIVE
* W/ WABCO AIR
@ W/ BENDIX AIR
W/ HYDRAULIC
** W/ BENDIX AIR
ABS 6S/6M

CAV	CIR	GA	COLOR	TERMINAL	SEAL/SLV
1	R71	14	OR	3559037C1	3575783C1
2	R56	14	OR	3559037C1	3575783C1
3	R57	14	OR	3559037C1	3575783C1
4	R68	14	BN	3559037C1	3575783C1
5&	R32A	18	TN	3559036C1	3509903C1
5&	R36	18	TN	3559036C1	3509903C1
5&	R68	18	BN	3559036C1	3509903C1
6&	R32	18	TN	3559036C1	3509903C1
6&	R70	18	OR	3559036C1	3509903C1
7	R49	18	GY	3559036C1	3509903C1
8	R49A	18	GY	3559036C1	3509903C1
9&	R10-GB	18	WH	3559036C1	3509903C1
9&	R49-GA	18	WH	3559036C1	3509903C1
10	R9D	18	GY	3559036C1	3509903C1
11&	R9B	18	GY	3559036C1	3509903C1
11&	R9C	18	GY	3559036C1	3509903C1
12	R10-G	12	WH	3559037C1	3575783C1
13#	[R94M(+)]	18	BK	3559036C1	3509903C1
13*	[R94WL]	18	BK	3559036C1	3509903C1
13@	R94A	16	GY	3559037C1	3509903C1
13**	R94M	16	GY	3559037C1	3509903C1
14#	R94N(-)	18	BN	3559036C1	3509903C1
14*	[R94WM]	18	BN	3559036C1	3509903C1
14@	R94B	16	OR	3559037C1	3509903C1
14**	R94N	16	OR	3559037C1	3509903C1
15#	[R94PI]	18	BK	3559036C1	3509903C1
15*	[R94WS]	18	BK	3559036C1	3509903C1
15@	R94C	16	DKBL	3559037C1	3509903C1
15**	R94P	16	DKBL	3559037C1	3509903C1
16#	[R94RI]	18	BN	3559036C1	3509903C1
16*	[R94WT]	18	BN	3559036C1	3509903C1
16@	R94D	16	YL	3559037C1	3509903C1
16**	R94R	16	YL	3559037C1	3509903C1
17*	[R94WN]	18	BL	3559036C1	3509903C1
17@	R94E	16	BK	3559037C1	3509903C1
17**	R94S	16	BK	3559037C1	3509903C1
18*	[R94G7]	18	GN	3559036C1	3509903C1
18@	R94F	16	RD	3559037C1	3509903C1
18**	R94T	16	RD	3559037C1	3509903C1
19*	[R94WR]	18	BN	3559036C1	3509903C1
19@	R94H	16	BN	3559037C1	3509903C1
19**	R94U	16	BN	3559037C1	3509903C1
20*	[R94WU]	18	BL	3559036C1	3509903C1
20@	R94J	16	PL	3559037C1	3509903C1
20**	R94V	16	PL	3559037C1	3509903C1
21*	[R94G6]	18	GN	3559036C1	3509903C1
21@	R94K	16	LTGN	3559037C1	3509903C1
21**	R94W	16	LTGN	3559037C1	3509903C1
22*	[R94WV]	18	BN	3559036C1	3509903C1
22@	R94L	16	LTBL	3559037C1	3509903C1
22**	R94X	16	LTBL	3559037C1	3509903C1
23*	[R94WX]	18	BN	3559036C1	3509903C1
23@	R94BD	16	BN	3559037C1	3509903C1
24*	[R94WZ]	18	BL	3559036C1	3509903C1
24@	R94BE	16	YL	3559037C1	3509903C1

CAV	CIRCUIT	GA	COLOR	TERMINAL	SEAL/SLV
1	N71A	14	OR	3559035C1	3575783C1
2	N56	14	OR	3559035C1	3575783C1
3	N57	14	OR	3559035C1	3575783C1
4	N68	14	BN	3559035C1	3575783C1
5&	N32A	18	TN	3509874C1	3509903C1
5#	N36A	18	TN	3509874C1	3509903C1
6	N32	18	TN	3509874C1	3509903C1
7	N49	18	GY	3509874C1	3509903C1
8	N49A	18	GY	3509874C1	3509903C1
9	N49-G	18	WH	3509874C1	3509903C1
10	N9G	18	GY	3509874C1	3509903C1
11&	N9F	18	GY	3509874C1	3509903C1
11&	N9H	18	GY	3509874C1	3509903C1
12	N10-GA	12	WH	3559035C1	3575783C1
13@	N94BE	16	GY	3559035C1	3509903C1
13**	N94M(+)	18	GY	3509874C1	3532128C1
13*	N94WL	16	GY	3559035C1	3509903C1
14@	N94BD	16	GY	3559035C1	3509903C1
14**	N94M(-)	18	GY	3509874C1	3532128C1
14*	N94WM	16	GY	3559035C1	3509903C1
15@	N94BH	16	GY	3559035C1	3509903C1
15**	N94N(+)	18	GY	3509874C1	3532128C1
15*	N94WS	16	GY	3559035C1	3509903C1
16@	N94BF	16	GY	3559035C1	3509903C1
16**	N94N(-)	18	GY	3509874C1	3532128C1
16*	N94WT	16	GY	3559035C1	3509903C1
17**	N94BA	16	GY	3559035C1	3509903C1
17@	N94BA	16	GY	3559035C1	3509903C1
17**	N94WN	16	GY	3559035C1	3509903C1
18**	N94BB	16	GY	3559035C1	3509903C1
18@	N94BB	16	GY	3559035C1	3509903C1
18*	N94-G7	16	WH	3559035C1	3509903C1
19**	N94BC	16	GY	3559035C1	3509903C1
19@	N94BC	16	GY	3559035C1	3509903C1
19*	N94WR	16	GY	3559035C1	3509903C1
20**	N94BJ	16	GY	3559035C1	3509903C1
20@	N94BJ	16	GY	3559035C1	3509903C1
20*	N94WU	16	GY	3559035C1	3509903C1
21**	N94BK	16	GY	3559035C1	3509903C1
21@	N94BK	16	GY	3559035C1	3509903C1
21*	N94-G6	16	WH	3559035C1	3509903C1
22**	N94BL	16	GY	3559035C1	3509903C1
22@	N94BL	16	GY	3559035C1	3509903C1
22*	N94WV	16	GY	3559035C1	3509903C1
23@	N94BN	16	GY	3559035C1	3509903C1
23*	N94WX	18	GY	3509874C1	3509903C1
24@	N94BM	16	GY	3559035C1	3509903C1
24*	N94WZ	18	GY	3509874C1	3509903C1

CHK	DATE	CHANGE	REV	REFERENCE	DRAWN	NAME
RAW6	04DEC07	INITIAL RELEASE	A	61000T	300371	CIRCUIT DIAGRAM, 42/43/44/85/8600 & 73/74/7500
					RELEASE NO. 61000T	DATE 31OCT07
						PART NO. AE08056619
						SHEET 119

Figure 338 Connector Composites (9800)

13.127. CONNECTOR COMPOSITES (9811), (9812), (9814), (9815), (9820M), P. 120

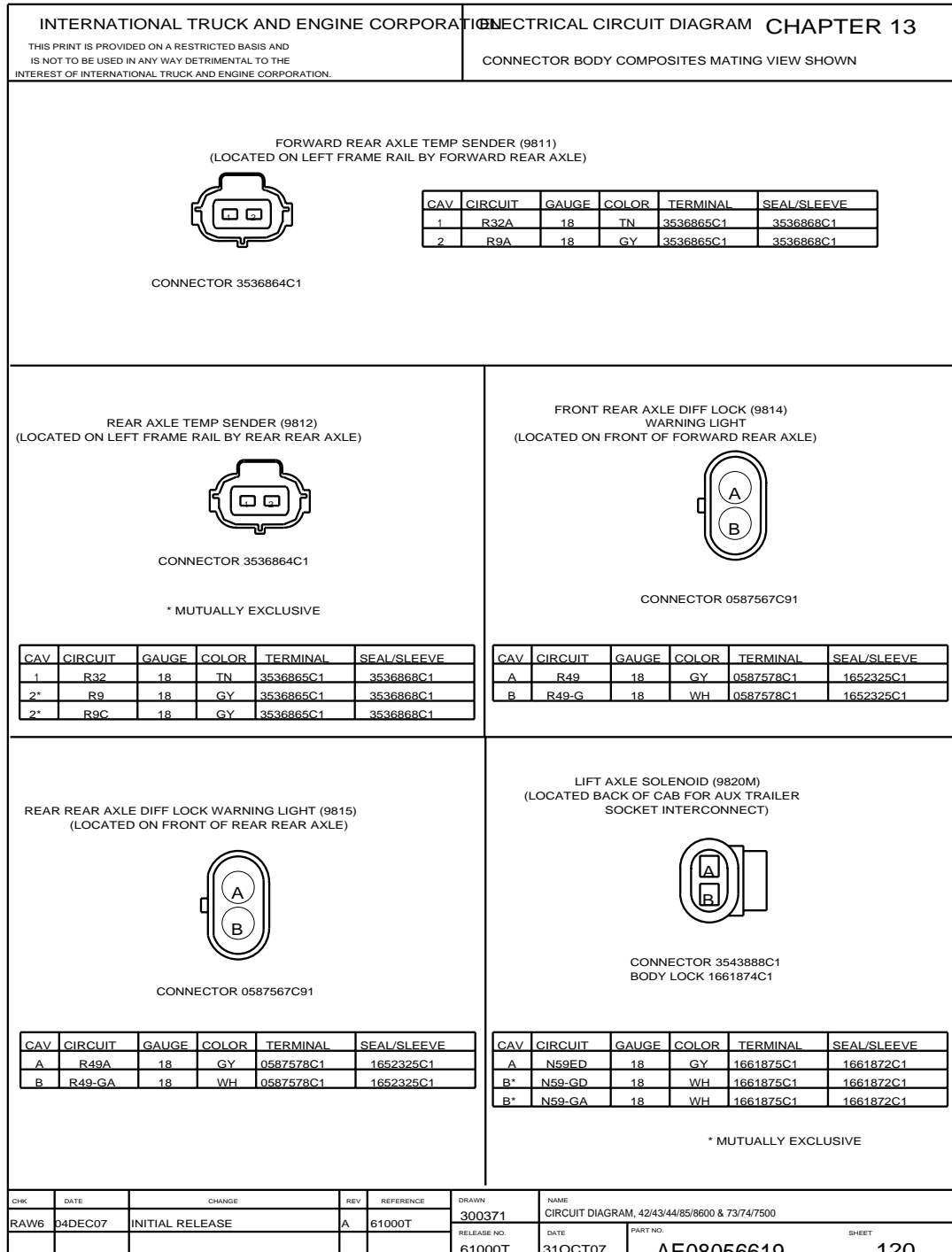


Figure 339 Connector Composites (9811), (9812), (9814), (9815), (9820M)

13.128. CONNECTOR COMPOSITES (9830), (9832), (9900), (9900E), P. 121

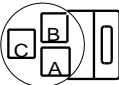
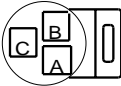
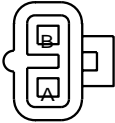
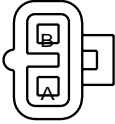
INTERNATIONAL TRUCK AND ENGINE CORPORATION <small>THIS PRINT IS PROVIDED ON A RESTRICTED BASIS AND IS NOT TO BE USED IN ANY WAY DETRIMENTAL TO THE INTEREST OF INTERNATIONAL TRUCK AND ENGINE CORPORATION.</small>		ELECTRICAL CIRCUIT DIAGRAM CHAPTER 13 CONNECTOR BODY COMPOSITES MATING VIEW SHOWN																					
REAR LOAD INDICATOR (4X2) (9830) (LOCATED ON REAR SUSPENSION AIR BAG - RIGHT SIDE)																							
	<table border="1" style="border-collapse: collapse; width: 100%;"> <thead> <tr> <th>CAV</th> <th>CIRCUIT</th> <th>GAUGE</th> <th>COLOR</th> <th>TERMINAL</th> </tr> </thead> <tbody> <tr> <td>A</td> <td>R9M</td> <td>18</td> <td>GY</td> <td>1651943C1</td> </tr> <tr> <td>B</td> <td>R6H</td> <td>18</td> <td>GY</td> <td>1651943C1</td> </tr> <tr> <td>C</td> <td>R61C</td> <td>18</td> <td>GY</td> <td>1651943C1</td> </tr> </tbody> </table>			CAV	CIRCUIT	GAUGE	COLOR	TERMINAL	A	R9M	18	GY	1651943C1	B	R6H	18	GY	1651943C1	C	R61C	18	GY	1651943C1
CAV	CIRCUIT	GAUGE	COLOR	TERMINAL																			
A	R9M	18	GY	1651943C1																			
B	R6H	18	GY	1651943C1																			
C	R61C	18	GY	1651943C1																			
CONNECTOR 1678137C1																							
REAR LOAD INDICATOR (6X4) (9832) (LOCATED ON REAR SUSPENSION AIR BAG - LEFT SIDE)																							
	<table border="1" style="border-collapse: collapse; width: 100%;"> <thead> <tr> <th>CAV</th> <th>CIRCUIT</th> <th>GAUGE</th> <th>COLOR</th> <th>TERMINAL</th> </tr> </thead> <tbody> <tr> <td>A</td> <td>R9N</td> <td>18</td> <td>GY</td> <td>1651943C1</td> </tr> <tr> <td>B</td> <td>R6J</td> <td>18</td> <td>GY</td> <td>1651943C1</td> </tr> <tr> <td>C</td> <td>R61D</td> <td>18</td> <td>GY</td> <td>1651943C1</td> </tr> </tbody> </table>			CAV	CIRCUIT	GAUGE	COLOR	TERMINAL	A	R9N	18	GY	1651943C1	B	R6J	18	GY	1651943C1	C	R61D	18	GY	1651943C1
CAV	CIRCUIT	GAUGE	COLOR	TERMINAL																			
A	R9N	18	GY	1651943C1																			
B	R6J	18	GY	1651943C1																			
C	R61D	18	GY	1651943C1																			
CONNECTOR 1678137C1																							
AIR DRYER (9900) (LOCATED ON LEFT FRAME RAIL BEHIND DAYCAB UNDER SLEEPER)																							
	<table border="1" style="border-collapse: collapse; width: 100%;"> <thead> <tr> <th>CAV</th> <th>CIRCUIT</th> <th>GAUGE</th> <th>COLOR</th> <th>TERMINAL</th> <th>SEAL/SLEEVE</th> </tr> </thead> <tbody> <tr> <td>A</td> <td>N39B</td> <td>16</td> <td>GY</td> <td>2033819C1</td> <td>1652325C1</td> </tr> <tr> <td>B</td> <td>N39-GB</td> <td>16</td> <td>WH</td> <td>2033819C1</td> <td>1652325C1</td> </tr> </tbody> </table>			CAV	CIRCUIT	GAUGE	COLOR	TERMINAL	SEAL/SLEEVE	A	N39B	16	GY	2033819C1	1652325C1	B	N39-GB	16	WH	2033819C1	1652325C1		
CAV	CIRCUIT	GAUGE	COLOR	TERMINAL	SEAL/SLEEVE																		
A	N39B	16	GY	2033819C1	1652325C1																		
B	N39-GB	16	WH	2033819C1	1652325C1																		
CONNECTOR 1673790C1 BODY LOCK 1673791C1																							
AIR DRYER (9900E)																							
	<table border="1" style="border-collapse: collapse; width: 100%;"> <thead> <tr> <th>CAV</th> <th>CIRCUIT</th> <th>GAUGE</th> <th>COLOR</th> <th>TERMINAL</th> <th>SEAL/SLEEVE</th> </tr> </thead> <tbody> <tr> <td>A</td> <td>M39B</td> <td>16</td> <td>GY</td> <td>2033819C1</td> <td>1652325C1</td> </tr> <tr> <td>B</td> <td>M39-GB</td> <td>16</td> <td>WH</td> <td>2033819C1</td> <td>1652325C1</td> </tr> </tbody> </table>			CAV	CIRCUIT	GAUGE	COLOR	TERMINAL	SEAL/SLEEVE	A	M39B	16	GY	2033819C1	1652325C1	B	M39-GB	16	WH	2033819C1	1652325C1		
CAV	CIRCUIT	GAUGE	COLOR	TERMINAL	SEAL/SLEEVE																		
A	M39B	16	GY	2033819C1	1652325C1																		
B	M39-GB	16	WH	2033819C1	1652325C1																		
CONNECTOR 1673790C1 BODY LOCK 1673791C1																							
<small>CHK</small>	<small>DATE</small>	<small>CHANGE</small>	<small>REV</small>	<small>REFERENCE</small>	<small>DRAWN</small>	<small>NAME</small>																	
RAW6	04DEC07	INITIAL RELEASE	A	61000T	300371	CIRCUIT DIAGRAM, 42/43/44/85/8600 & 73/74/7500																	
					<small>RELEASE NO.</small>	<small>DATE</small>																	
					61000T	31OCT07																	
						<small>PART NO.</small>																	
						AE08056619																	
						<small>SHEET</small>																	
						121																	

Figure 340 Connector Composites (9830), (9832), (9900), (9900E)

13.129. CONNECTOR COMPOSITES (9913B), (9915), (9920), (9921), (9994), (9999), P. 122

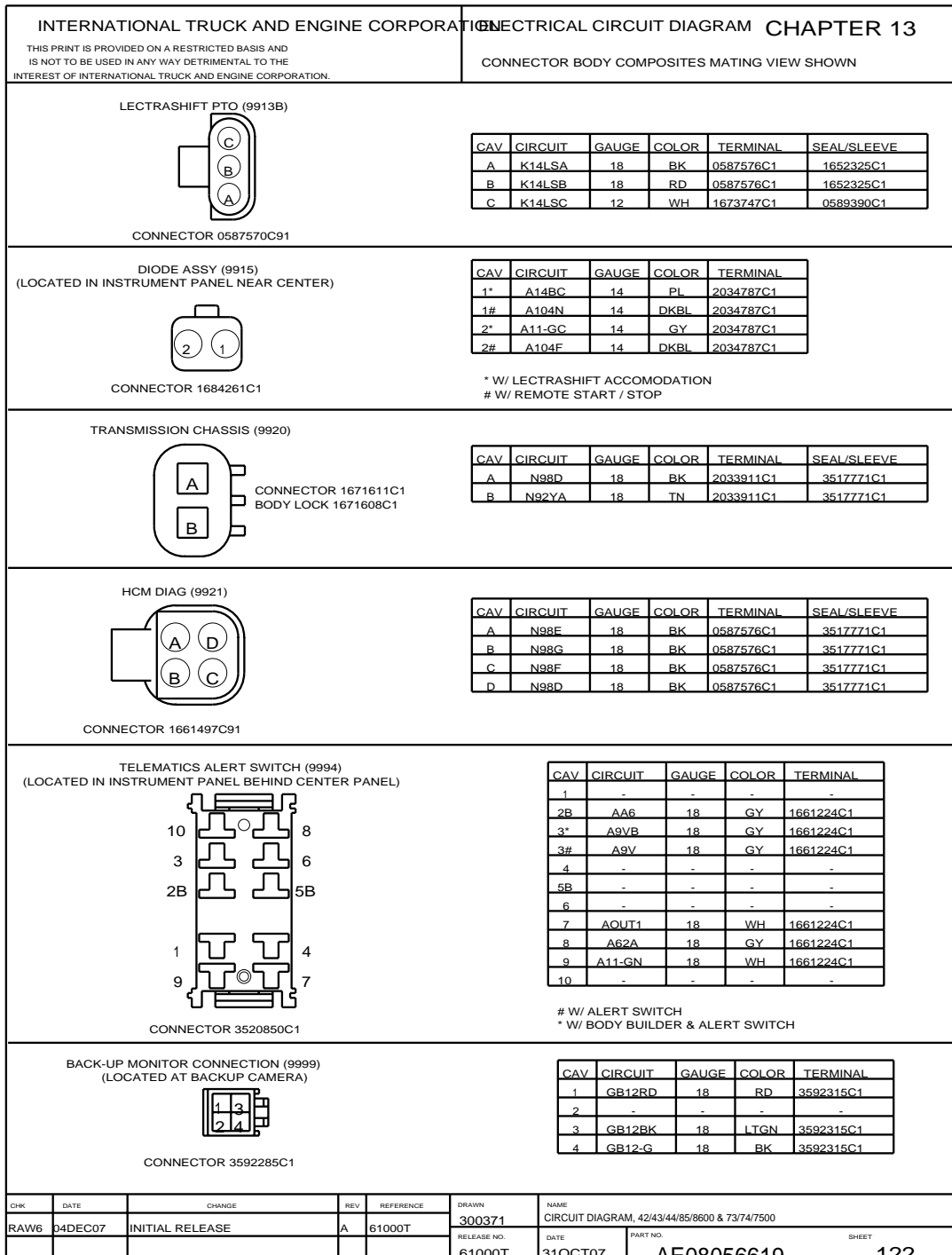


Figure 341 Connector Composites (9913B), (9915), (9920), (9921), (9994), (9999)